



US00D863949S

(12) **United States Design Patent** (10) **Patent No.:** **US D863,949 S**
Purkey et al. (45) **Date of Patent:** **** Oct. 22, 2019**

(54) **COMBINED FOOD AND FOOD PACKAGE**

(71) Applicant: **Sargento Foods Inc.**, Plymouth, WI (US)

(72) Inventors: **Todd Purkey**, Elkhart Lake, WI (US);
Ryan Hartman, Plymouth, WI (US);
Jeff Karp, Plymouth, WI (US)

(73) Assignee: **Sargento Foods Inc.**, Plymouth, WI (US)

(**) Term: **15 Years**

(21) Appl. No.: **29/611,632**

(22) Filed: **Jul. 24, 2017**

(51) **LOC (12) Cl.** **09-03**

(52) **U.S. Cl.**
USPC **D9/416**

(58) **Field of Classification Search**
USPC D9/414-418, 702, 431, 707, 643, 423;
D30/121

(Continued)

(56) **References Cited**

U.S. PATENT DOCUMENTS

4,411,365 A 10/1983 Horikawa et al.
4,616,470 A 10/1986 Nakamura

(Continued)

OTHER PUBLICATIONS

Keay M., "From wrap to Map—Lower materials cost and less complex machinery, plus the opportunity for modified atmosphere packaging, are driving yet more and more products from traditional wrapping to flow-wrapping", *Flow-Wrapping*, Mar./Apr. 2002, pp. 56-72, Machinery Update, Exhibit 13.

(Continued)

Primary Examiner — Rhea Shields

(74) *Attorney, Agent, or Firm* — Boyle Fredrickson, S.C.

(57) **CLAIM**

We claim the ornamental design for a combined food and food package, as shown and described.

DESCRIPTION

FIG. 1 is a perspective view of a combined food and food package.

FIG. 2 is a top view of the combined food and food package shown in FIG. 1.

FIG. 3 is a bottom view of the combined food and food package shown in FIG. 1.

FIG. 4 is a front view of the combined food and food package shown in FIG. 1.

FIG. 5 is a rear view of the combined food and food package shown in FIG. 1.

FIG. 6 is a left side view of the combined food and food package shown in FIG. 1.

FIG. 7 is a right side view of the combined food and food package shown in FIG. 1.

FIG. 8 is a perspective view of a combined food and food package.

FIG. 9 is a top view of the combined food and food package shown in FIG. 8.

FIG. 10 is a bottom view of the combined food and food package shown in FIG. 8.

FIG. 11 is a front view of the combined food and food package shown in FIG. 8.

FIG. 12 is a rear view of the combined food and food package shown in FIG. 8.

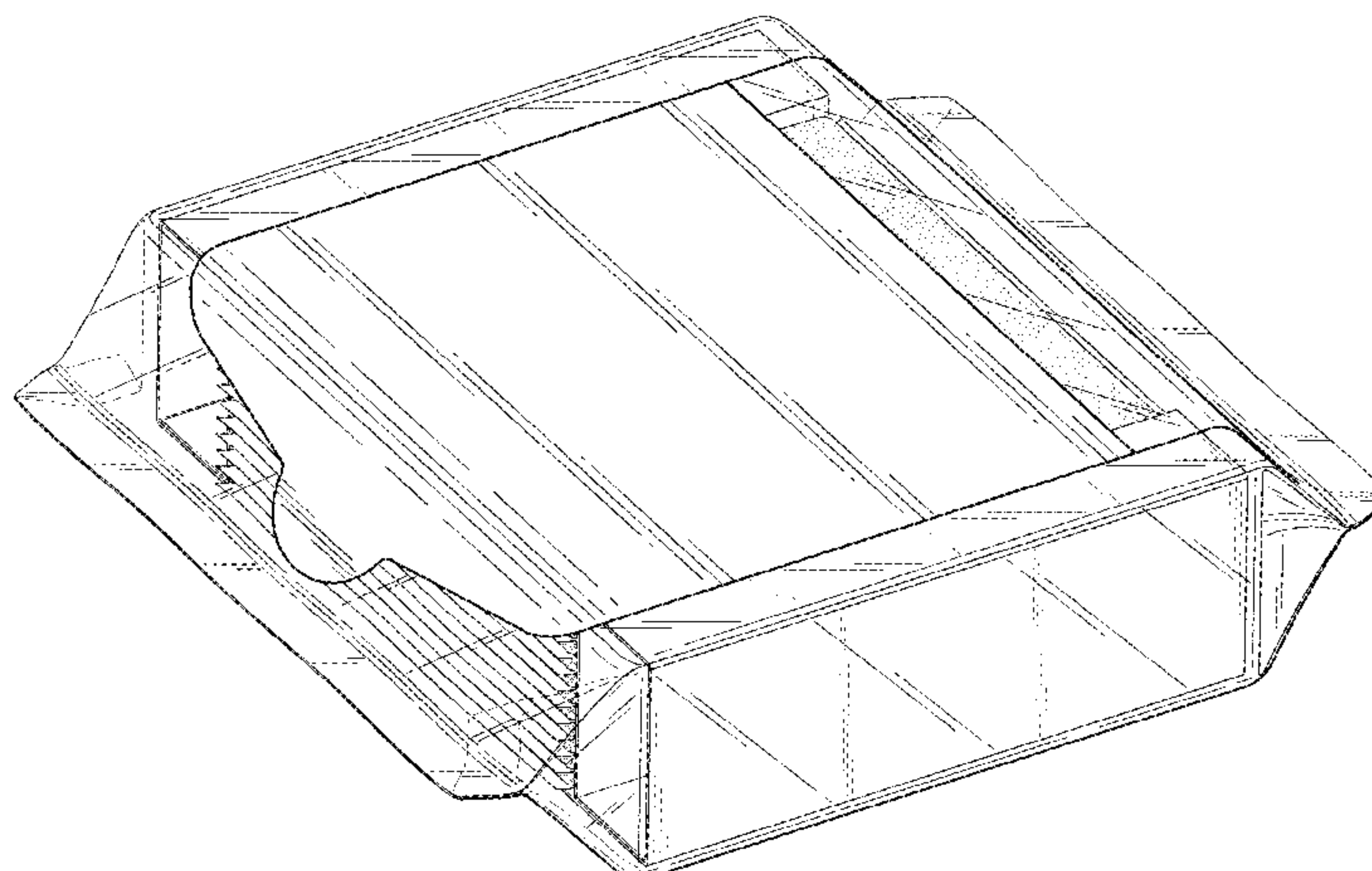
FIG. 13 is a left side view of the combined food and food package shown in FIG. 8; and,

FIG. 14 is a right side view of the combined food and food package shown in FIG. 8.

The broken lines having equal segments in the figures represent portions of the article that form no part of the claimed design. The broken lines having unequal length segments illustrate the boundaries between claimed and unclaimed portions of the design.

Any line in a drawing may provide a boundary line of a claimed design element. A boundary line of a claimed design element may also be defined in an area between lines in a

(Continued)



drawing. An element or a subset of any combination of elements in a drawing may form a claimed design.

1 Claim, 10 Drawing Sheets

(58) **Field of Classification Search**

CPC B65D 31/00; B65D 75/5838
See application file for complete search history.

(56) **References Cited**

U.S. PATENT DOCUMENTS

4,738,365	A	4/1988	Prater	
4,790,436	A	12/1988	Nakamura	
4,840,270	A	6/1989	Caputo et al.	
4,848,575	A	7/1989	Nakamura et al.	
4,874,096	A	10/1989	Tessera-Chiesa	
D365,981	S *	1/1996	Sullivan	D9/707
6,026,953	A	2/2000	Nakamura et al.	
D558,595	S *	1/2008	Berman	D9/707
7,344,744	B2	3/2008	Sierra-Gomez et al.	
7,350,688	B2	4/2008	Sierra-Gomez et al.	
D588,015	S *	3/2009	Berman	D9/707
D601,886	S *	10/2009	Docherty	D9/431
D602,376	S *	10/2009	Coulson	D9/707
D603,699	S *	11/2009	Docherty	D9/431
7,703,602	B2	4/2010	Saito et al.	
7,717,620	B2	5/2010	Hebert et al.	
7,789,236	B2	9/2010	Burgess	
D630,522	S *	1/2011	Harvey	D9/707
8,002,171	B2	8/2011	Ryan et al.	
8,038,349	B2	10/2011	Andersson et al.	
D671,012	S *	11/2012	France	D9/702
D673,053	S *	12/2012	Kim	D9/643
8,408,792	B2 *	4/2013	Cole	B65D 75/5838 383/203

8,545,099	B2	10/2013	Davis et al.	
8,814,430	B2	8/2014	Veternik et al.	
8,889,205	B2	11/2014	Sierra-Gomez et al.	
D728,359	S *	5/2015	Iwegbu	D9/420
9,150,342	B2	10/2015	Sierra-Gomez et al.	
9,187,228	B2	11/2015	Vogt et al.	
9,205,967	B2	12/2015	Renders et al.	
9,221,590	B2	12/2015	Renders et al.	
9,315,296	B2 *	4/2016	Eppelheimer	B65D 31/00
9,327,892	B2	5/2016	Rubo et al.	
9,346,598	B2	5/2016	Docherty	
D762,015	S *	7/2016	Pietrocarlo	D30/121
D778,721	S *	2/2017	Sanfilippo	D9/416
D787,319	S *	5/2017	Sanfilippo	D9/423
D801,828	S *	11/2017	Persson	D9/707
D826,707	S *	8/2018	Sanfilippo	D9/416
D833,269	S *	11/2018	Bayer	D9/415
D834,936	S *	12/2018	Sanfilippo	D9/432
2003/0085265	A1	5/2003	Haim	
2006/0283750	A1	12/2006	Villars et al.	
2009/0232425	A1	9/2009	Tai et al.	
2010/0002963	A1	1/2010	Holbert et al.	
2010/0112143	A1	5/2010	Liberatore	
2010/0147724	A1	6/2010	Mitra-Shah et al.	
2010/0172604	A1	7/2010	Andersson et al.	
2012/0128835	A1	5/2012	Lyzenga et al.	
2013/0341384	A1	12/2013	Fisher et al.	
2014/0248402	A1	9/2014	Sierra-Gomez et al.	
2015/0001234	A1	1/2015	Sanfilippo et al.	
2015/0131926	A1	5/2015	Lux et al.	
2016/0016714	A1	1/2016	Fenech, III et al.	
2016/0083162	A1	3/2016	Vogt et al.	
2016/0145024	A1	5/2016	Pezzoli	

OTHER PUBLICATIONS

“Processing and Packaging Machinery”, Machinery Update, Sep./Oct. 2001, Issue 5, vol. 12, pp. 46-47, Exhibit 33.

* cited by examiner

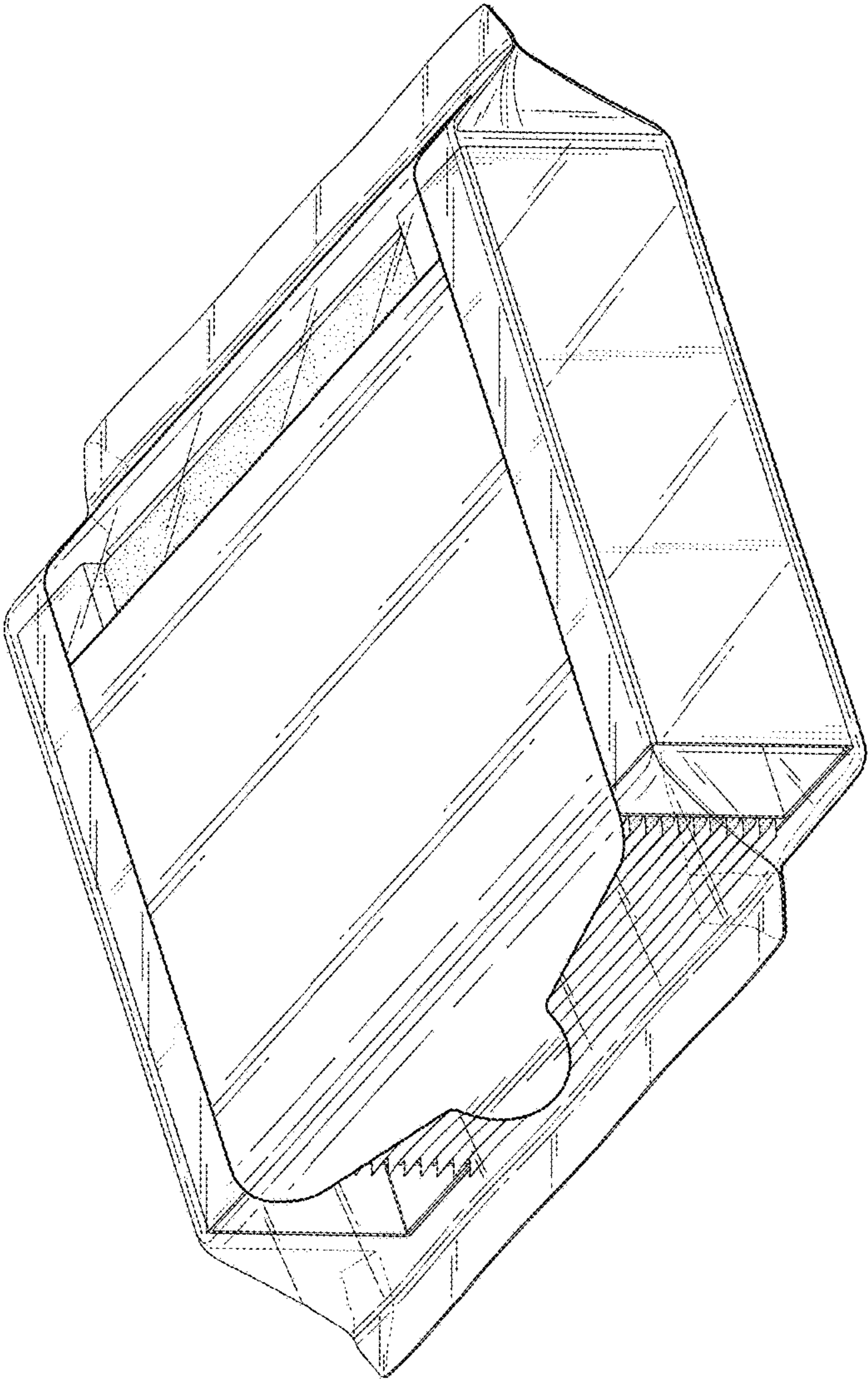


FIG. 1

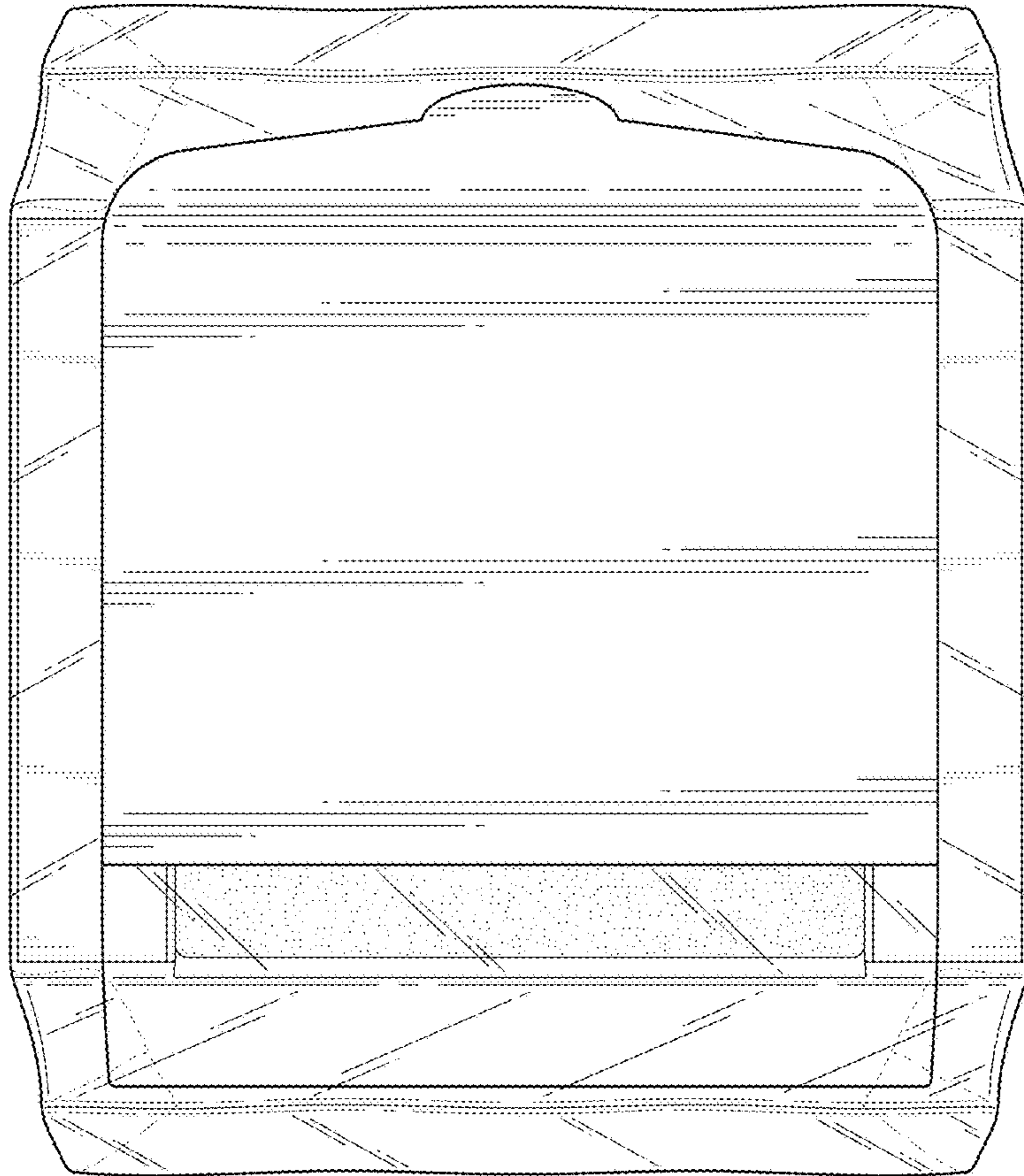


FIG. 2

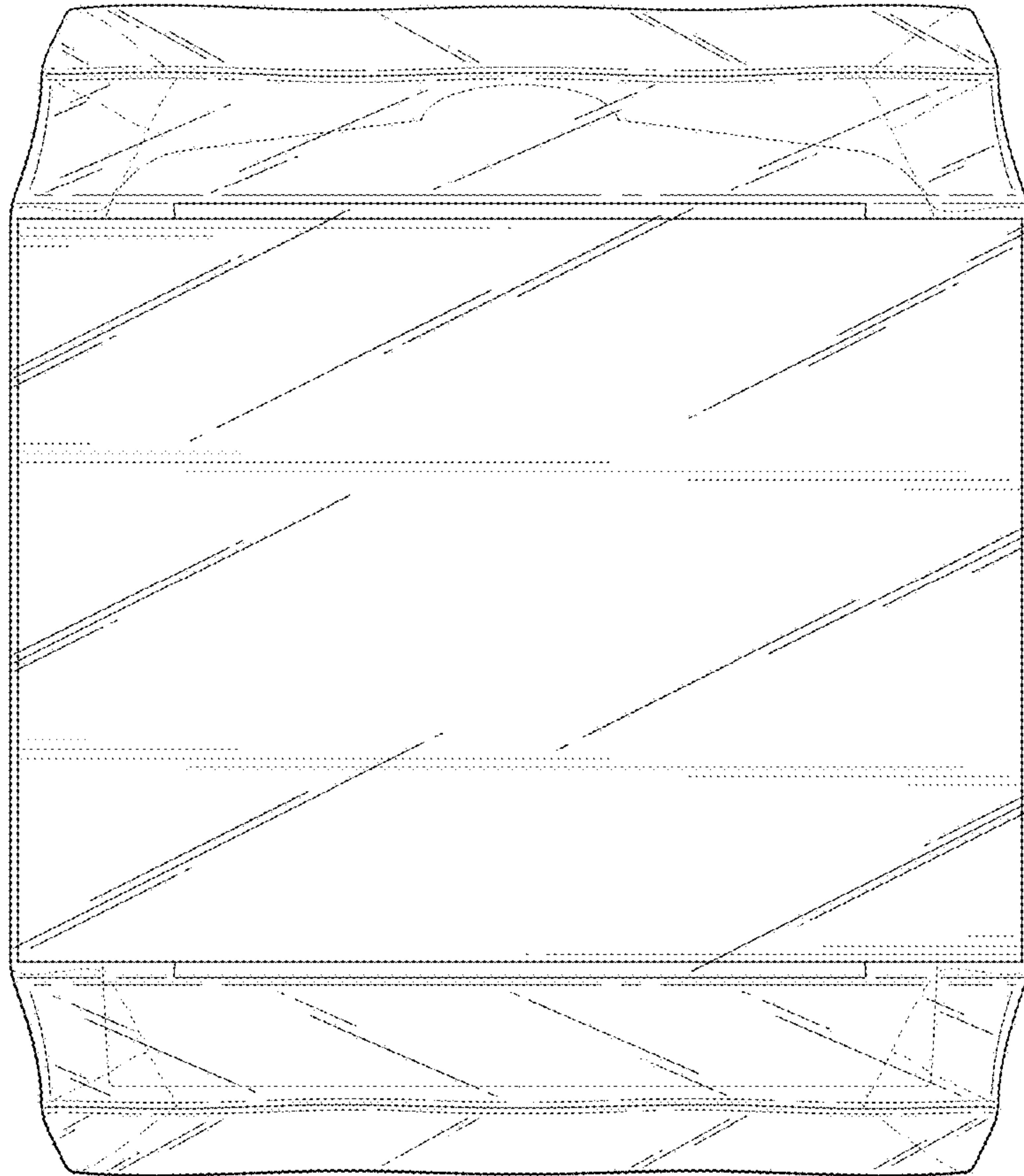


FIG. 3

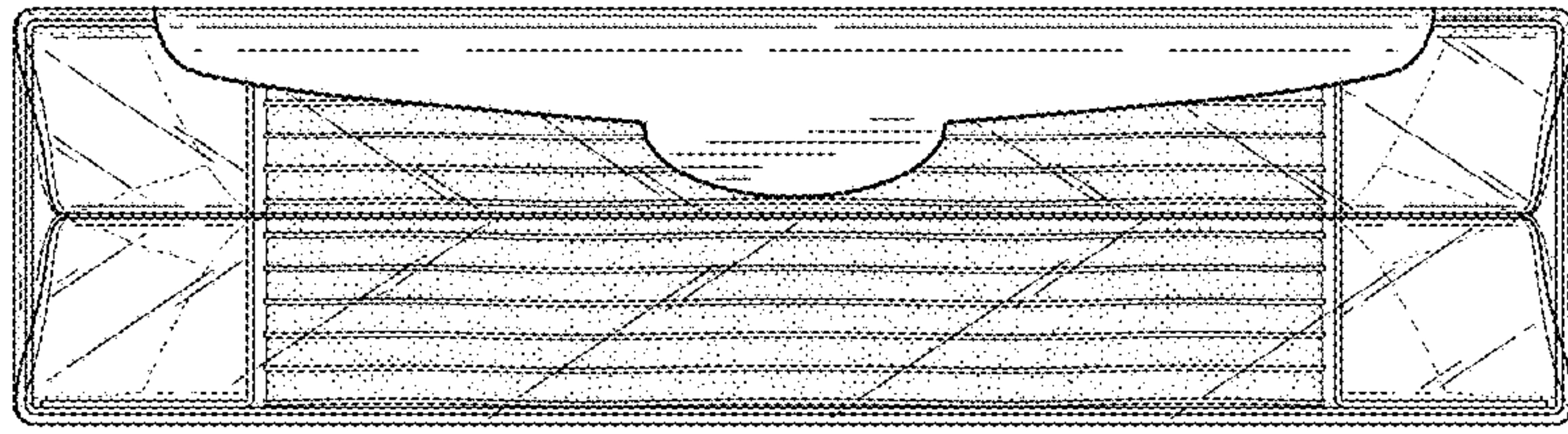


FIG. 4

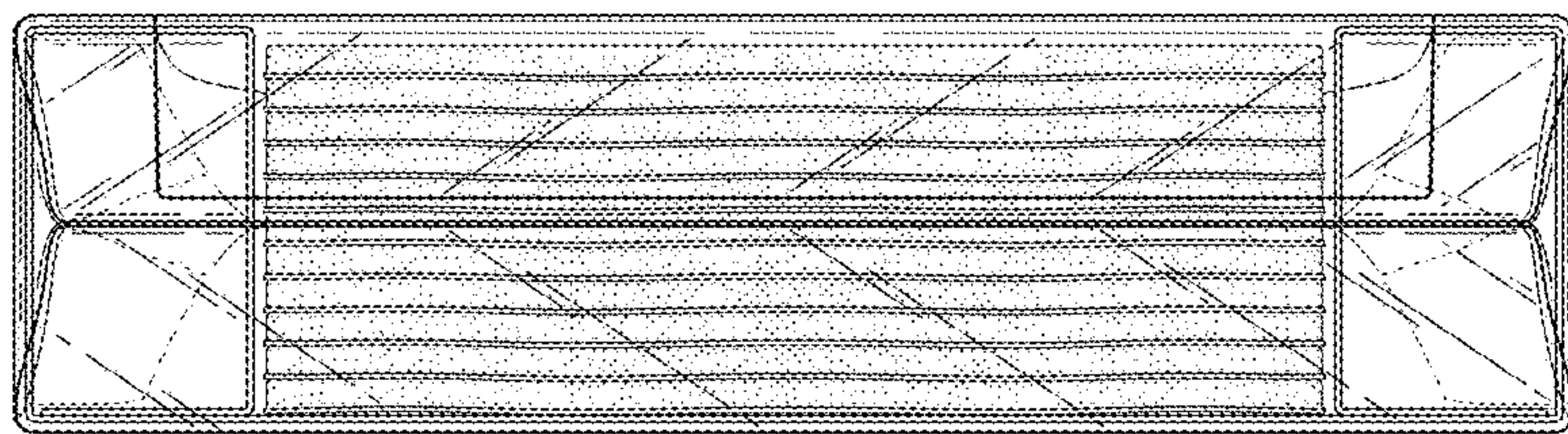


FIG. 5

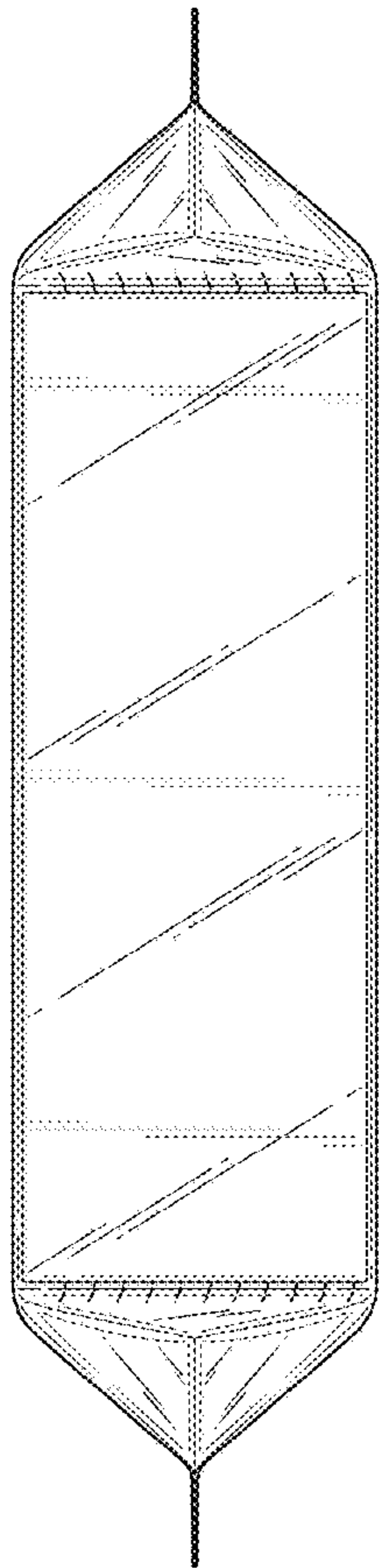


FIG. 6

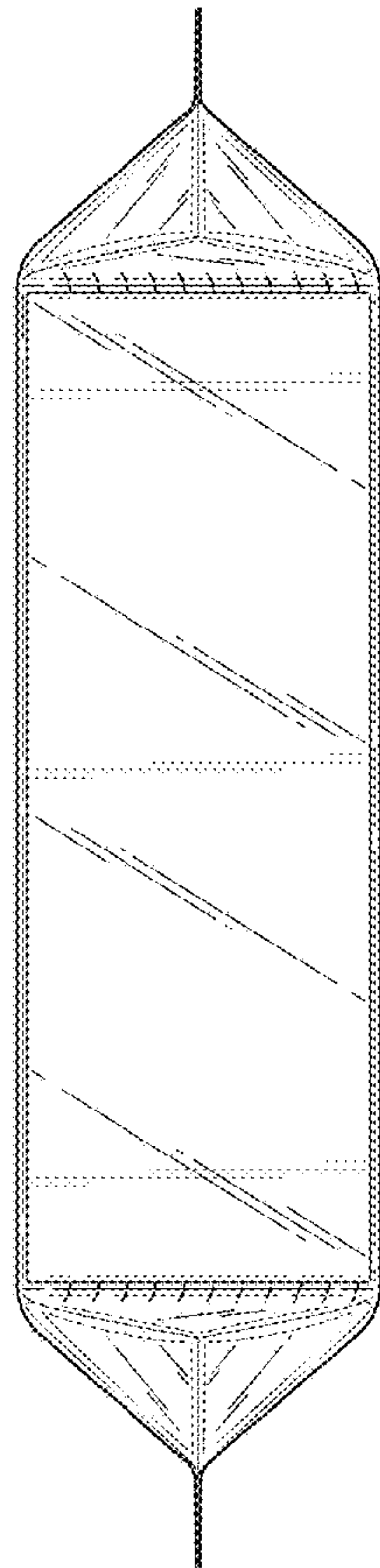


FIG. 7

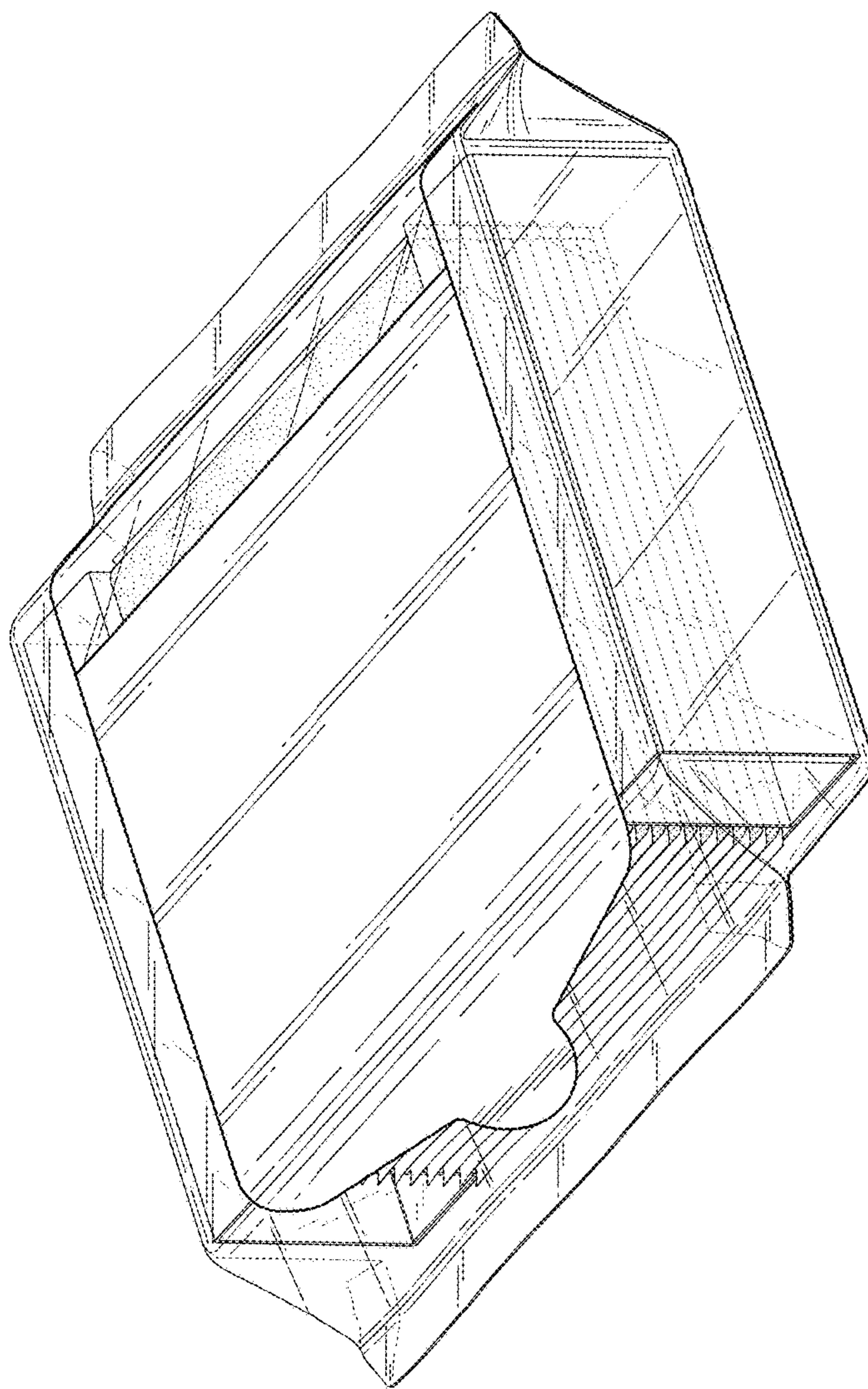


FIG. 8

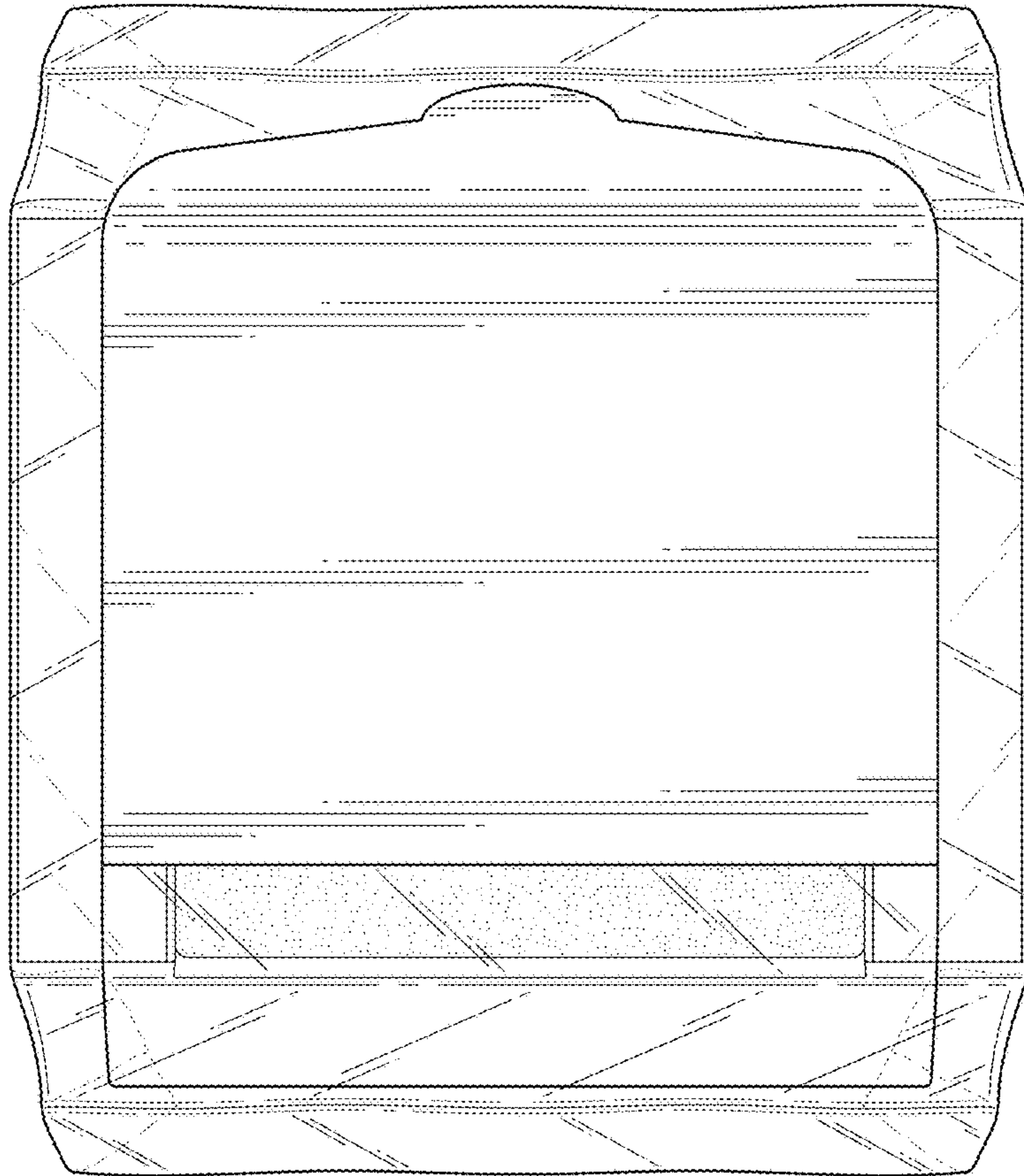


FIG. 9

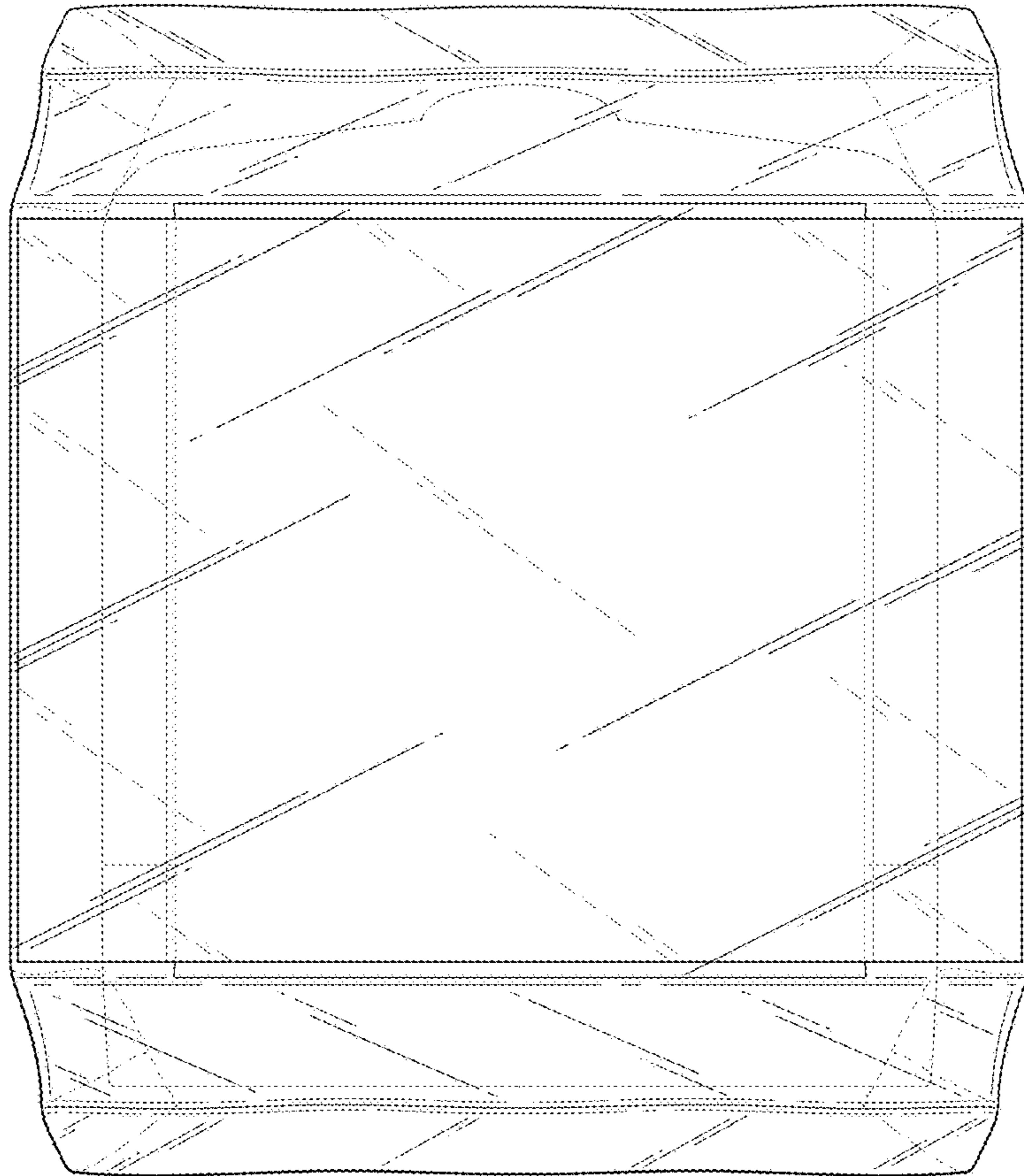


FIG. 10

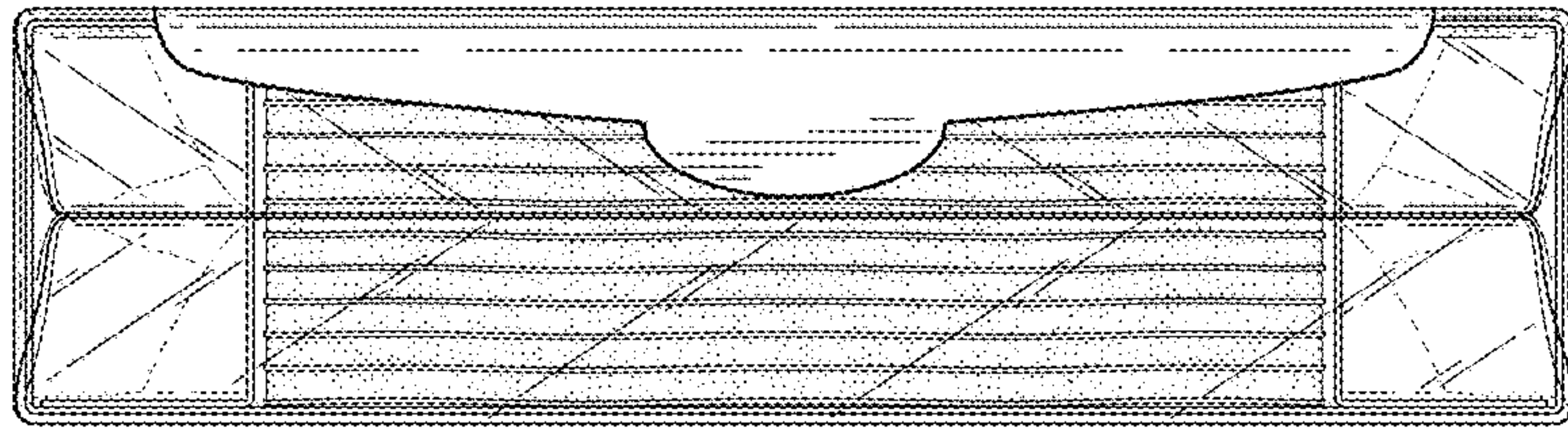


FIG. 11

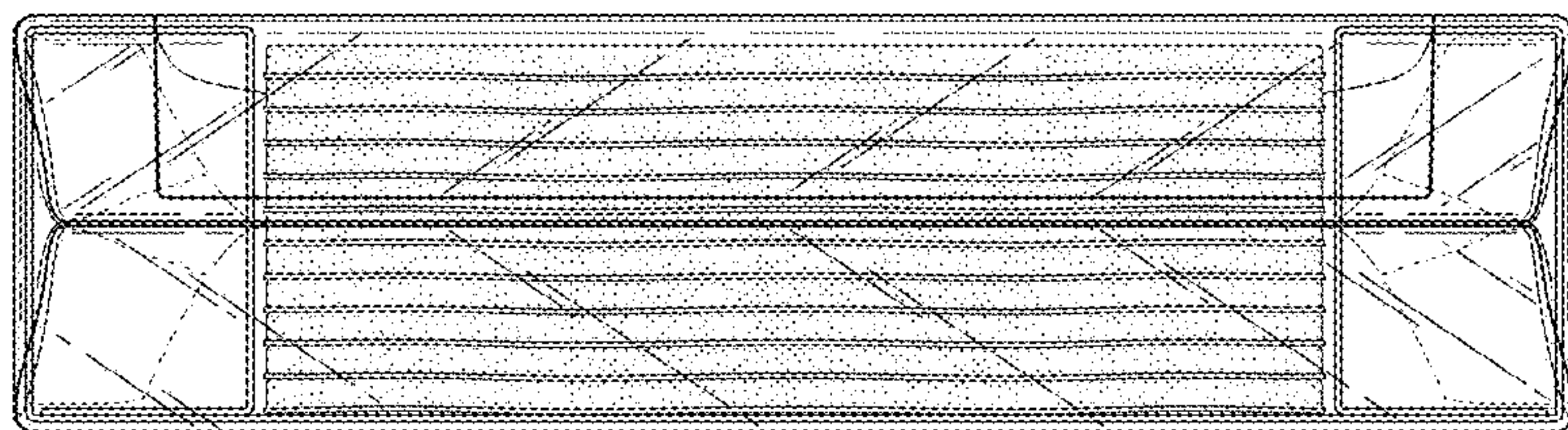


FIG. 12

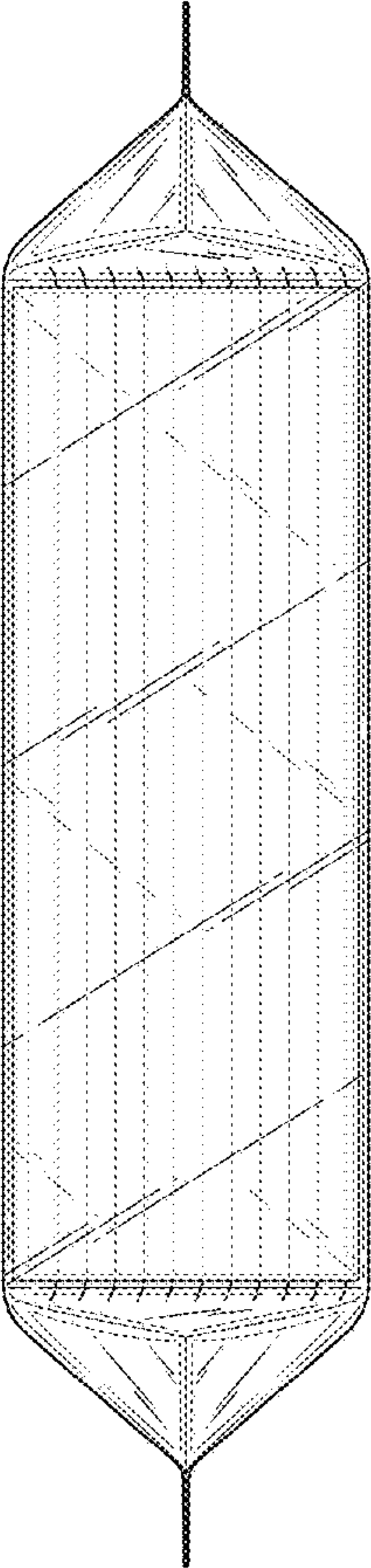


FIG. 13

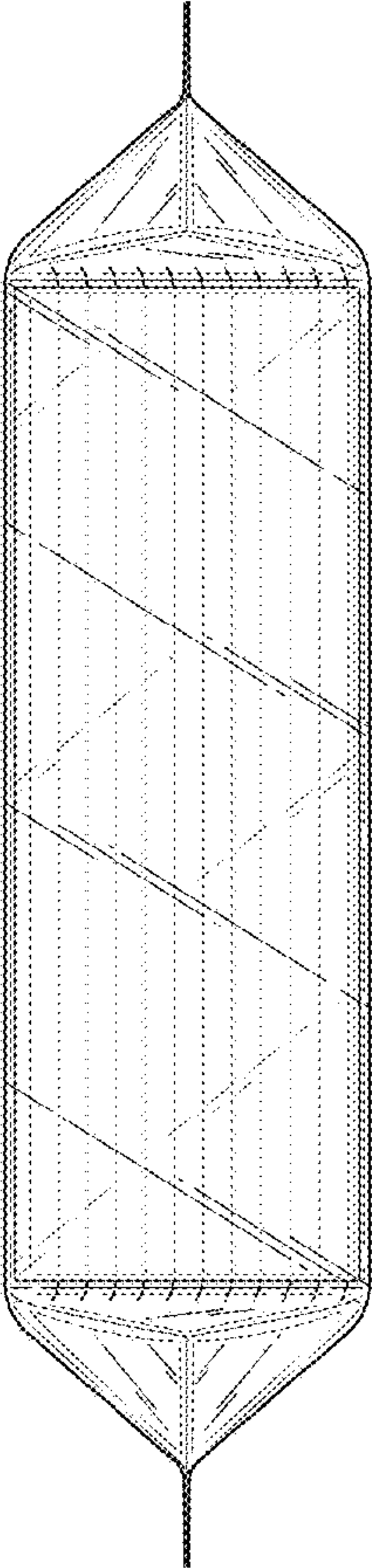


FIG. 14