



US00D863948S

(12) **United States Design Patent** (10) **Patent No.:** **US D863,948 S**
Fath et al. (45) **Date of Patent:** **** Oct. 22, 2019**

(54) **DISPLAY PACKAGE**

FOREIGN PATENT DOCUMENTS

(71) Applicant: **Altria Client Services LLC**,
Richmond, VA (US)

GB 208829 A 1/1924
GB 2088829 A 6/1982

(Continued)

(72) Inventors: **Scott A. Fath**, Richmond, VA (US);
William J. Bogdziewicz, III,
Richmond, VA (US); **Robert T. Mitten**,
Richmond, VA (US); **Ryan Bailey**,
Richmond, VA (US)

OTHER PUBLICATIONS

E-cigarette blister pack eGo-K vivi nova started kit 650mah/
1100mah, First Union, 2015, 1-8 <http://www.alibaba.com/product-detail/E-cigarette-blister-pack-eGo-K_721390903.html?s=p>.

(Continued)

(73) Assignee: **Altria Client Services LLC**,
Richmond, VA (US)

Primary Examiner — Lauren R Calve

(**) Term: **15 Years**

(74) *Attorney, Agent, or Firm* — Harness, Dickey &
Pierce, P.L.C.

(21) Appl. No.: **29/665,977**

(57) **CLAIM**

(22) Filed: **Oct. 9, 2018**

The ornamental design for a display package, as shown and
described.

DESCRIPTION

Related U.S. Application Data

(60) Division of application No. 29/561,578, filed on Apr.
18, 2016, now Pat. No. Des. 833,270, which is a
(Continued)

(51) **LOC (12) Cl.** **09-03**

(52) **U.S. Cl.**
USPC **D9/415**; D9/418

(58) **Field of Classification Search**
USPC D9/414, 415, 418, 424, 425, 433, 715,
D9/719, 722, 721, 737

(Continued)

(56) **References Cited**

U.S. PATENT DOCUMENTS

2,913,101 A 11/1959 Daily
D198,339 S * 6/1964 Edell D28/90

(Continued)

FIG. 1 is a perspective view of a display package showing
a first embodiment of our new design.

FIG. 2 is a front plan view thereof.

FIG. 3 is a rear plan view thereof.

FIG. 4 is a left side view thereof.

FIG. 5 is a right side view thereof.

FIG. 6 is a top view thereof.

FIG. 7 is a bottom view thereof.

FIG. 8 is a perspective view of a display package showing
a second embodiment of our new design.

FIG. 9 is a front plan view thereof.

FIG. 10 is a rear plan view thereof.

FIG. 11 is a left side view thereof.

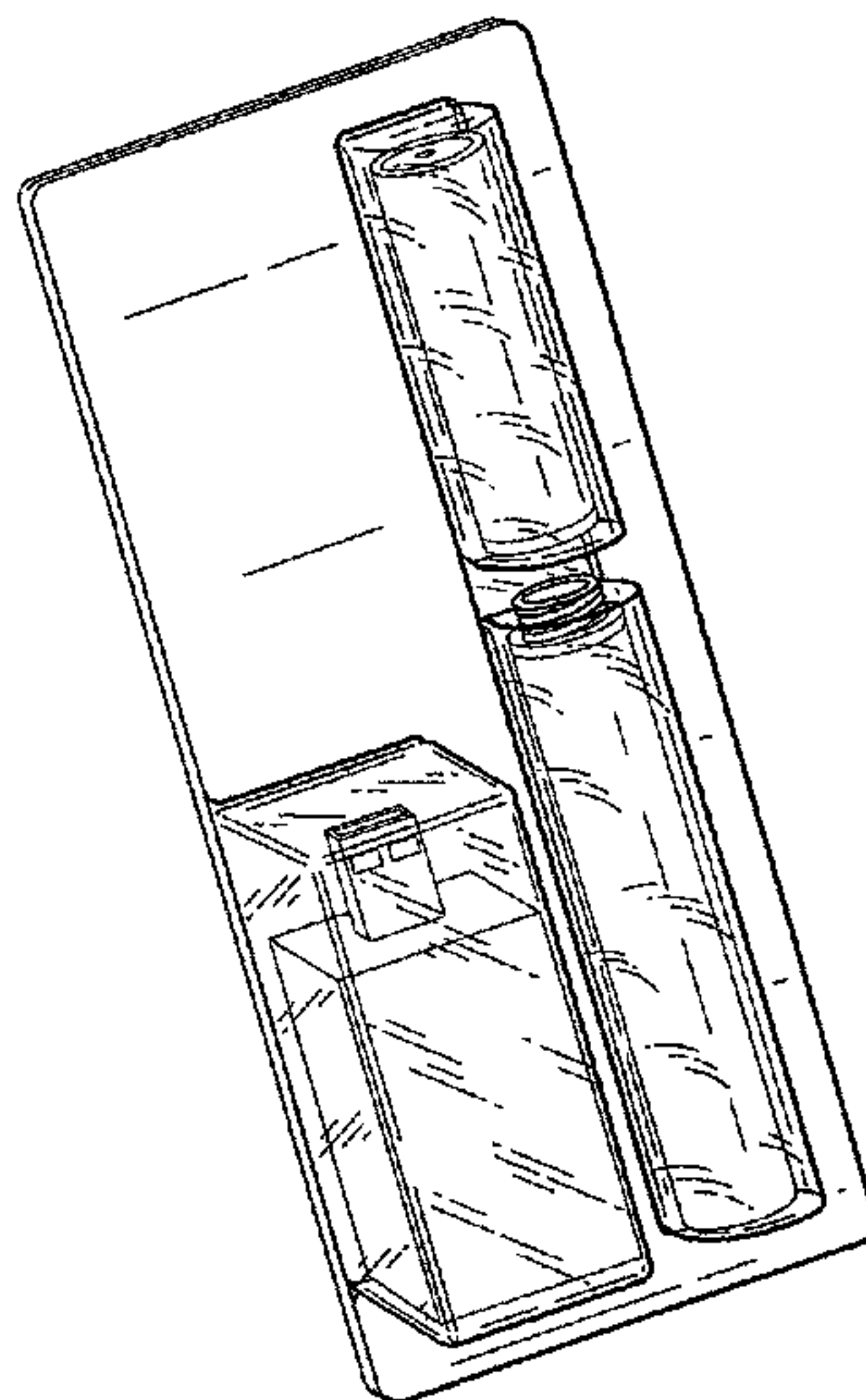
FIG. 12 is a right side view thereof.

FIG. 13 is a top view thereof; and,

FIG. 14 is a bottom view thereof.

The broken line showing illustrates portions of the display
package which form no part of the claimed design.

1 Claim, 8 Drawing Sheets



Related U.S. Application Data

continuation-in-part of application No. 29/561,548, filed on Apr. 18, 2016, which is a continuation of application No. 14/998,021, filed on Apr. 17, 2015.

(58) **Field of Classification Search**

CPC .. B65D 75/36; B65D 2201/00; B65D 5/4208; B65D 75/32; B65D 81/2076; B65D 2543/00296; B65D 75/22; B65D 2575/367; B65D 5/52; B65D 2543/00194; B65D 43/162; B65D 75/367; B65D 85/00; B65D 2571/0066; B65D 73/0028; B65D 73/0042; B65D 5/5038; B65D 1/36; B65D 71/10; B65D 5/503; B65D 21/0233; B65D 2519/00034; B65D 2519/00069; B65D 2519/00288; B65D 2519/00318; B65D 11/20; B65D 2519/00174; B65D 2519/00268; B65D 2519/0094; B65D 5/48024; B65D 5/48028; B65D 65/10; B65D 71/246; B65D 77/046; B65D 77/22; Y10S 435/81

See application file for complete search history.

(56)

References Cited

U.S. PATENT DOCUMENTS

3,338,400	A	8/1967	Edgworth et al.	
3,762,545	A	10/1973	Warner et al.	
4,125,190	A	11/1978	Davie, Jr. et al.	
4,180,165	A	12/1979	Kuchenbecker	
4,210,246	A *	7/1980	Kuchenbecker	B65D 75/366 206/461
D263,561	S	3/1982	Wong	
4,549,654	A	10/1985	Tiesman	
4,804,984	A	2/1989	Heuer et al.	
4,899,877	A *	2/1990	Kiernan	B65D 75/245 206/349
4,958,731	A	9/1990	Calcerano	
D316,673	S *	5/1991	Rysner	D9/415
5,060,814	A	10/1991	Oglesbee	
D324,651	S	3/1992	Kaneko	
5,275,291	A	1/1994	Sledge	
5,392,919	A	2/1995	Passamoni	
D417,391	S	12/1999	Szczepanski et al.	
D440,489	S	4/2001	Igami et al.	
6,298,995	B1	10/2001	Schwester	
6,308,832	B1	10/2001	Pirro et al.	
6,588,596	B1	7/2003	Holmes et al.	
D495,249	S	8/2004	Martinson et al.	
6,779,566	B2	8/2004	Engel	
6,920,980	B2	7/2005	Hwang et al.	
D510,262	S	10/2005	Isono et al.	
6,951,282	B2	10/2005	Jones	
7,137,508	B2 *	11/2006	Schultz	B65D 5/5023 206/485
D584,138	S	1/2009	Lafortezza et al.	
7,533,744	B2	5/2009	Mack	
7,533,774	B2	5/2009	Zimmerman	
D598,538	S *	8/2009	Yeakley	D24/112
7,621,405	B2	11/2009	Schweitzer et al.	
7,650,997	B2	1/2010	Nago	
8,006,834	B2	8/2011	Marcinkowski	
D656,340	S *	3/2012	Lecoutre	D6/682.3
D660,723	S	5/2012	Akana et al.	
D692,615	S	10/2013	Verleur	
D700,048	S	2/2014	Bloch et al.	
D711,235	S *	8/2014	Morgan	D9/457
D712,090	S	8/2014	Liu	
D712,279	S *	9/2014	Akana	D9/721
D712,748	S	9/2014	Akana et al.	
D713,738	S	9/2014	Akana et al.	
D713,739	S	9/2014	Akana et al.	
D713,740	S	9/2014	Akana et al.	

D719,037	S *	12/2014	Tsai	D19/86
D722,497	S	2/2015	Saideh	
D727,497	S	4/2015	Yang et al.	
D736,077	S	8/2015	Moskovich et al.	
D748,498	S	2/2016	Pipes et al.	
9,290,291	B2	3/2016	Hamdoun et al.	
D758,861	S *	6/2016	Heidl	D9/457
D768,008	S	10/2016	Akana et al.	
9,492,006	B2	11/2016	Jimenez et al.	
9,527,643	B2	12/2016	Streich et al.	
D797,550	S *	9/2017	Fath	D9/418
D820,688	S *	6/2018	Fath	D9/721
D830,853	S *	10/2018	Mitten	D9/721
D833,270	S *	11/2018	Fath	D9/418
2005/0183981	A1	8/2005	Gelardi	
2006/0231447	A1	10/2006	Fensham	
2007/0175788	A1 *	8/2007	Holba	A45D 40/00 206/471
2008/0314791	A1	12/2008	Schweitzer et al.	
2009/0285436	A1	11/2009	Lowry	
2010/0230312	A1 *	9/2010	Sorrentino	B65D 21/0202 206/369
2011/0147241	A1	6/2011	Marcinkowski	
2011/0278192	A1	11/2011	Thornton et al.	
2013/0146489	A1	6/2013	Scatterday	
2013/0276815	A1 *	10/2013	Hohlbein	A46B 11/0003 132/310
2014/0209497	A1	7/2014	Jacobus	
2014/0216970	A1	8/2014	Mattiucci	
2014/0262931	A1	9/2014	Fath	
2015/0008149	A1	1/2015	Liu	
2015/0375893	A1	12/2015	Korinek	
2016/0264297	A1	9/2016	Cernokus et al.	
2017/0008683	A1	1/2017	Fath et al.	
2017/0060262	A1	3/2017	Hviid et al.	

FOREIGN PATENT DOCUMENTS

KR	2012-0003872	U	6/2012
WO	WO-2005/054078	A1	6/2005
WO	WO-2015/015156	A1	2/2015

OTHER PUBLICATIONS

E-cigarette blister ego ce4 1x ego battery/1x ce4 clearomizer/1x oil bottle/1x usb charger wholesale, Vaporcity LTD, 2015, 1-7 <<http://www.dhgate.com/store/product/e-cigarette-blister-ego-ce4-1x-ego-battery/159864136.html>>.

New design pen style electronic cigarette Mini eGo-B black rubberized finish e-cigarette blister pack, Uncig, 2015, 1-14, <http://www.alibaba.com/product-detail/New-design-pen-style-electronic-cigarette_1804572170.html>.

International Preliminary Report for corresponding International Application No. PCT/US2016/027200 dated Oct. 26, 2017.

Office Action for corresponding U.S. Appl. No. 29/561,548 dated Mar. 15, 2018.

Election of Species and Restriction Requirement for U.S. Appl. No. 29/561,578 dated Jul. 3, 2017.

Non-Final Office Action for U.S. Appl. No. 29/561,578 dated Sep. 25, 2017.

Notice of Allowance for U.S. Appl. No. 29/561,578 dated Apr. 5, 2018.

Election of Species and Restriction Requirement for U.S. Appl. No. 29/561,548 dated Jun. 30, 2017.

Non-Final Office Action for U.S. Appl. No. 29/561,548 dated Sep. 11, 2017.

NOA for U.S. Appl. No. 29/561,578 dated Apr. 5, 2018.

RR/EOS for U.S. Appl. No. 14/998,021 dated May 25, 2017.

Non-Final Office Action for U.S. Appl. No. 14/998,021 dated Aug. 9, 2017.

Notice of Allowance for U.S. Appl. No. 14/998,021 dated Feb. 27, 2018.

Notice of Allowance for corresponding U.S. Appl. No. 14/998,021 dated Jun. 15, 2018.

(56)

References Cited

OTHER PUBLICATIONS

Notice of Allowance for corresponding U.S. Appl. No. 29/561,578
dated Jun. 22, 2018.

United States Notice of Allowance for corresponding U.S. Appl.
No. 29/561,548, dated Apr. 18, 2019.

Eurasian Office Action for corresponding Application No. 201792051
dated Feb. 28, 2019, English translation thereof.

* cited by examiner

FIG. 1

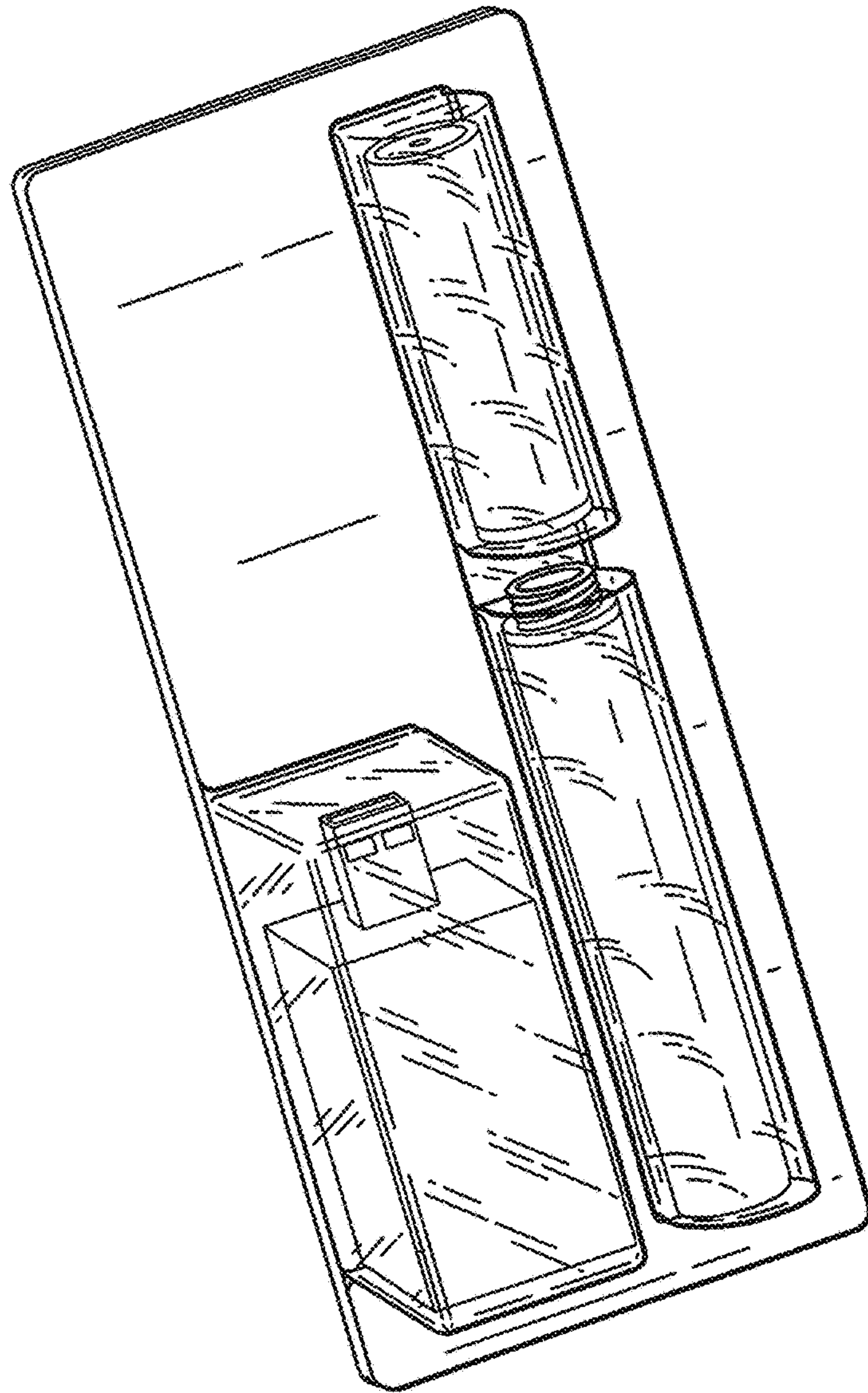


FIG. 2

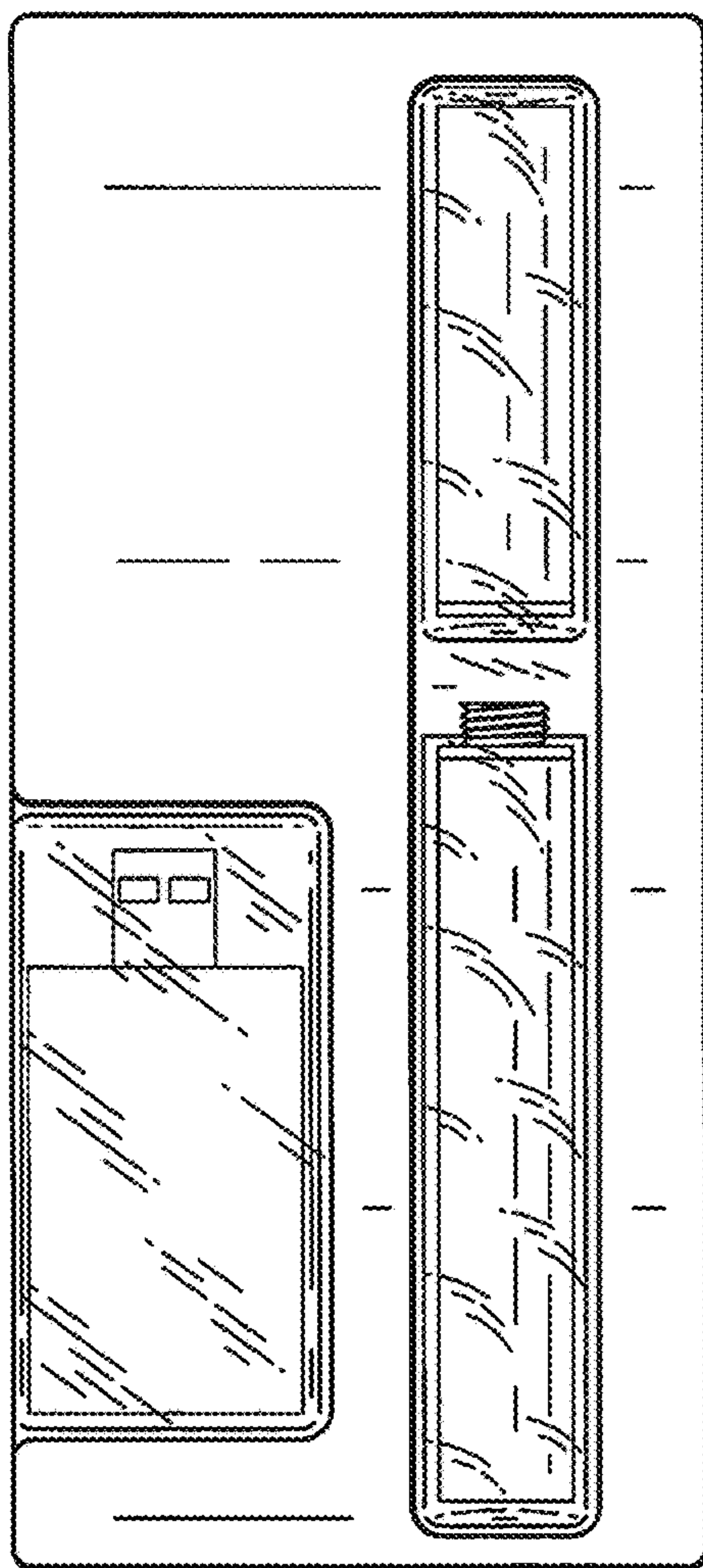


FIG. 3

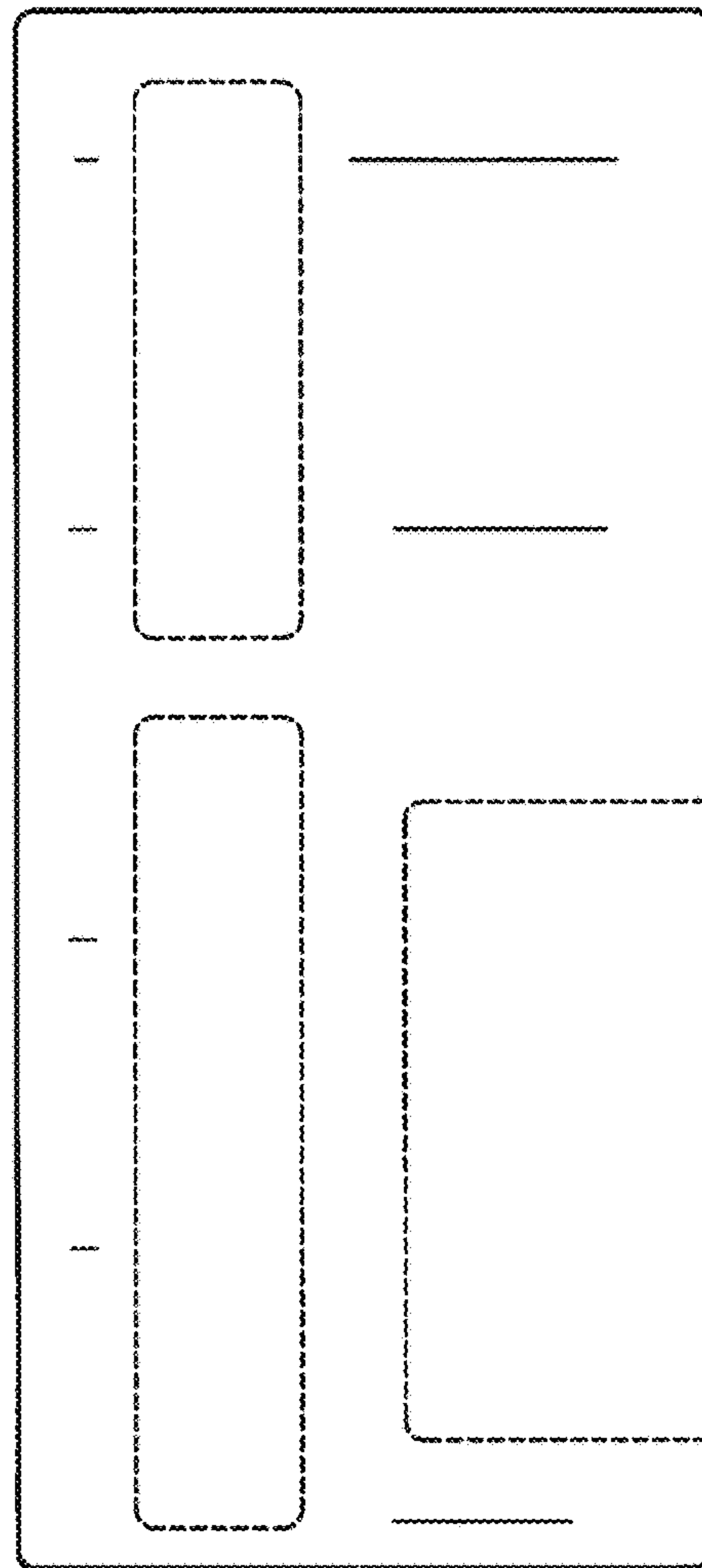


FIG. 4

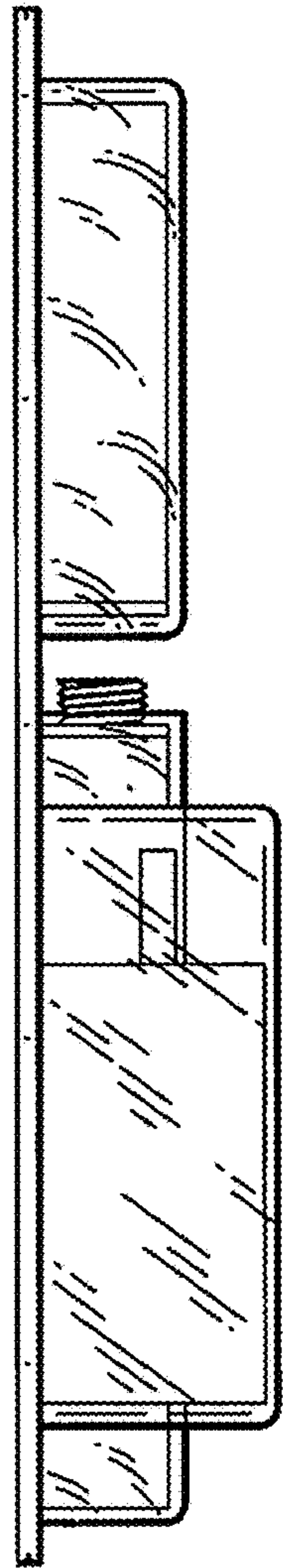


FIG. 5

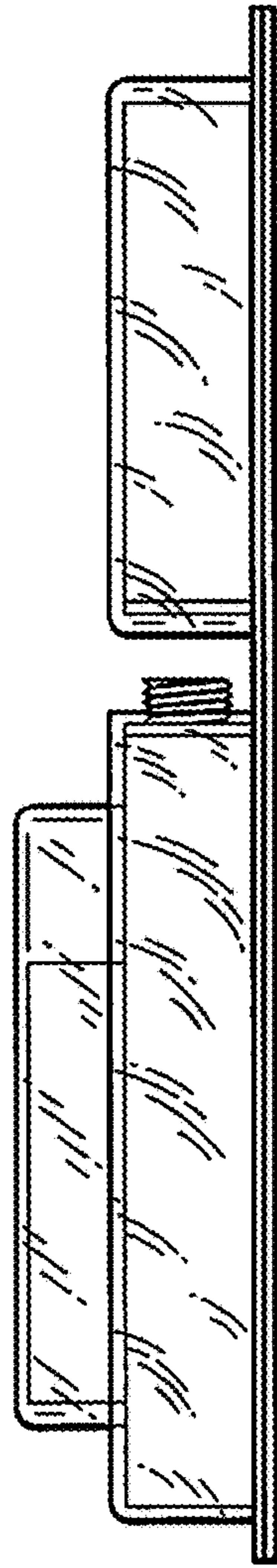


FIG. 6

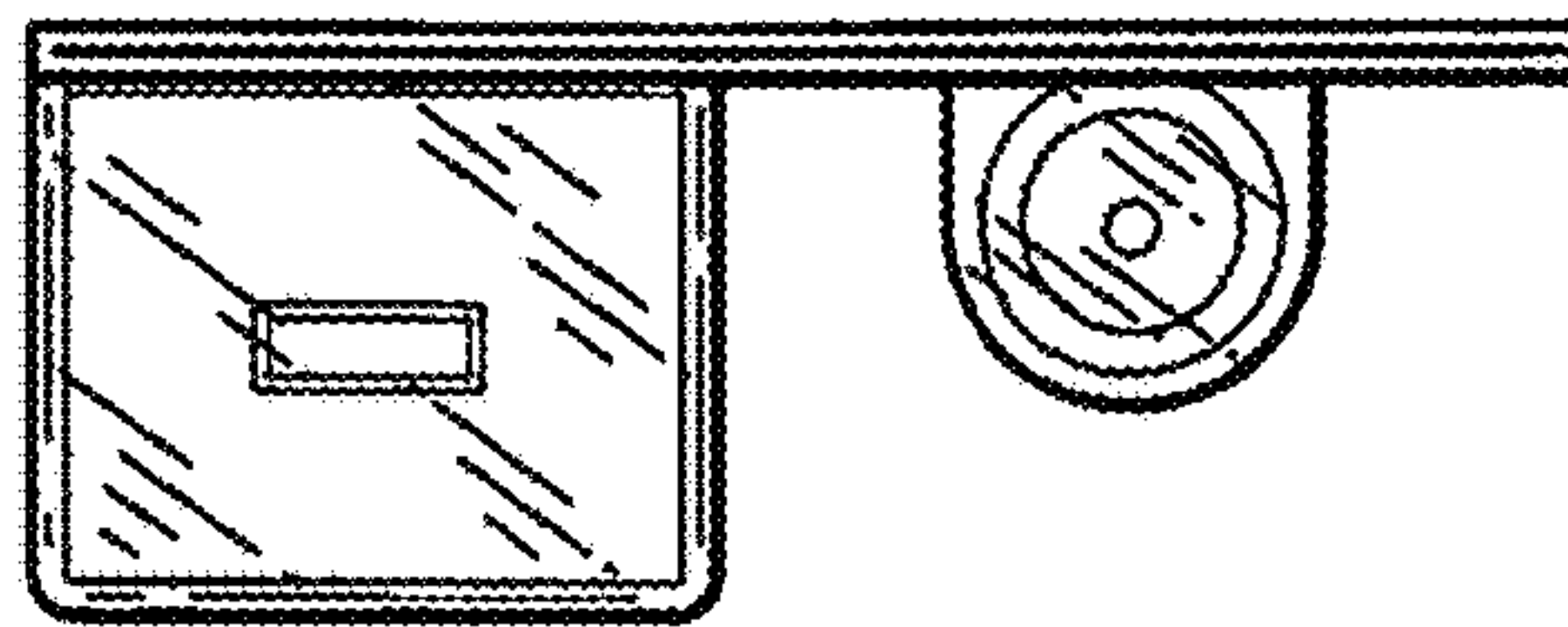


FIG. 7

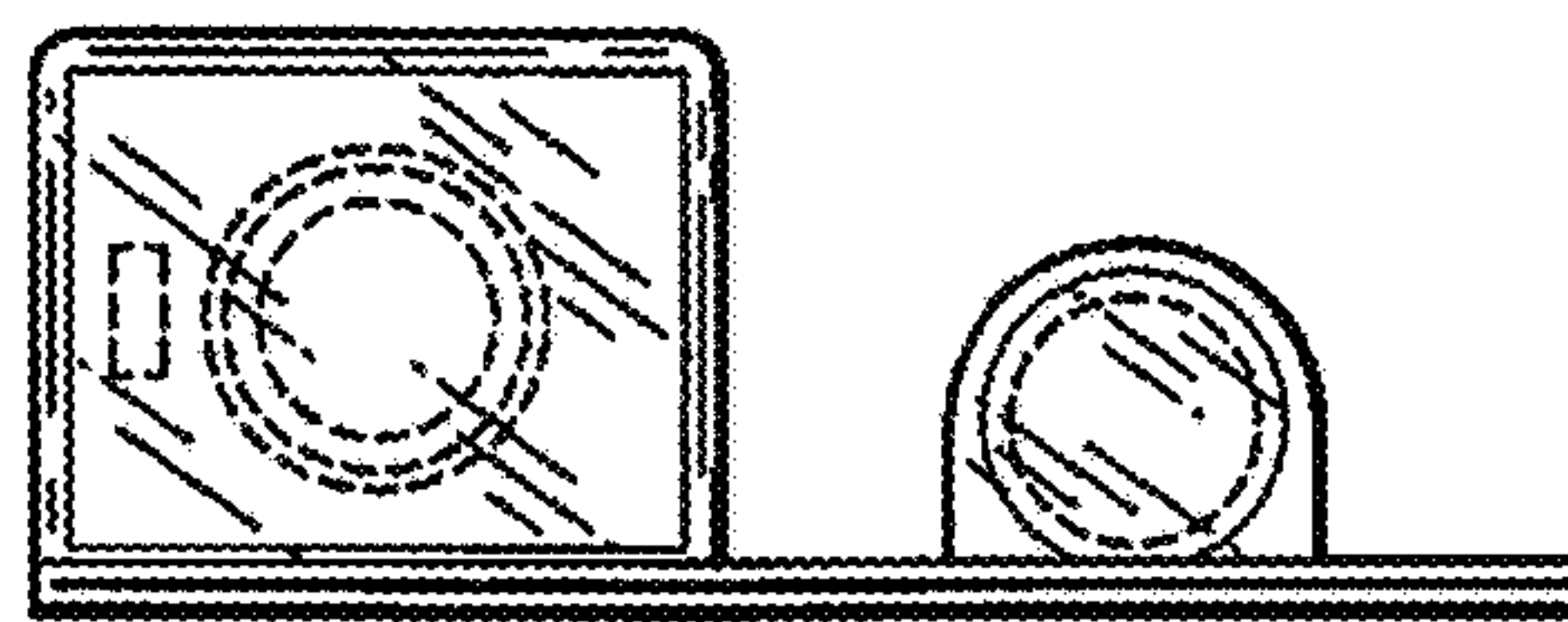


FIG. 8

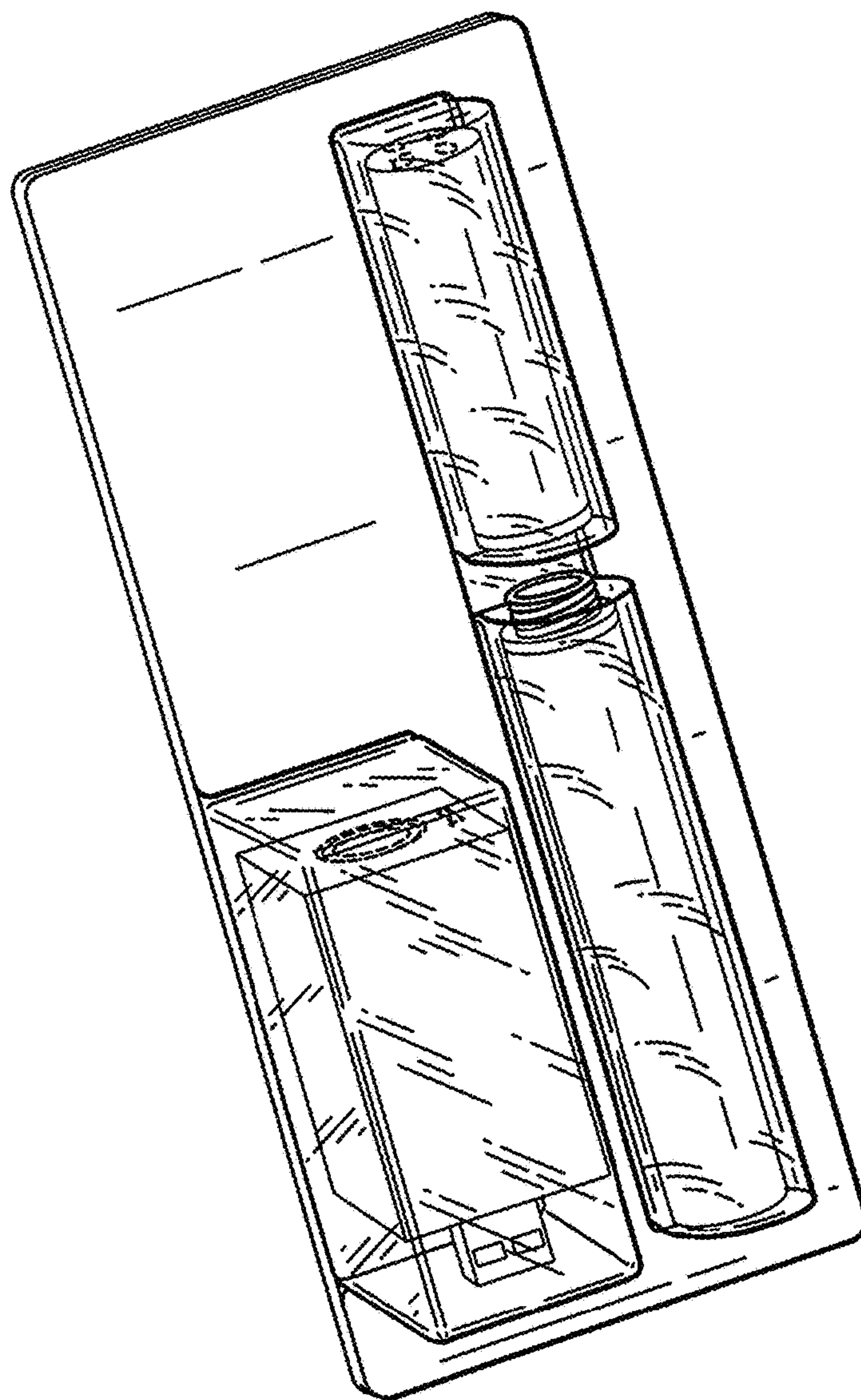


FIG. 9

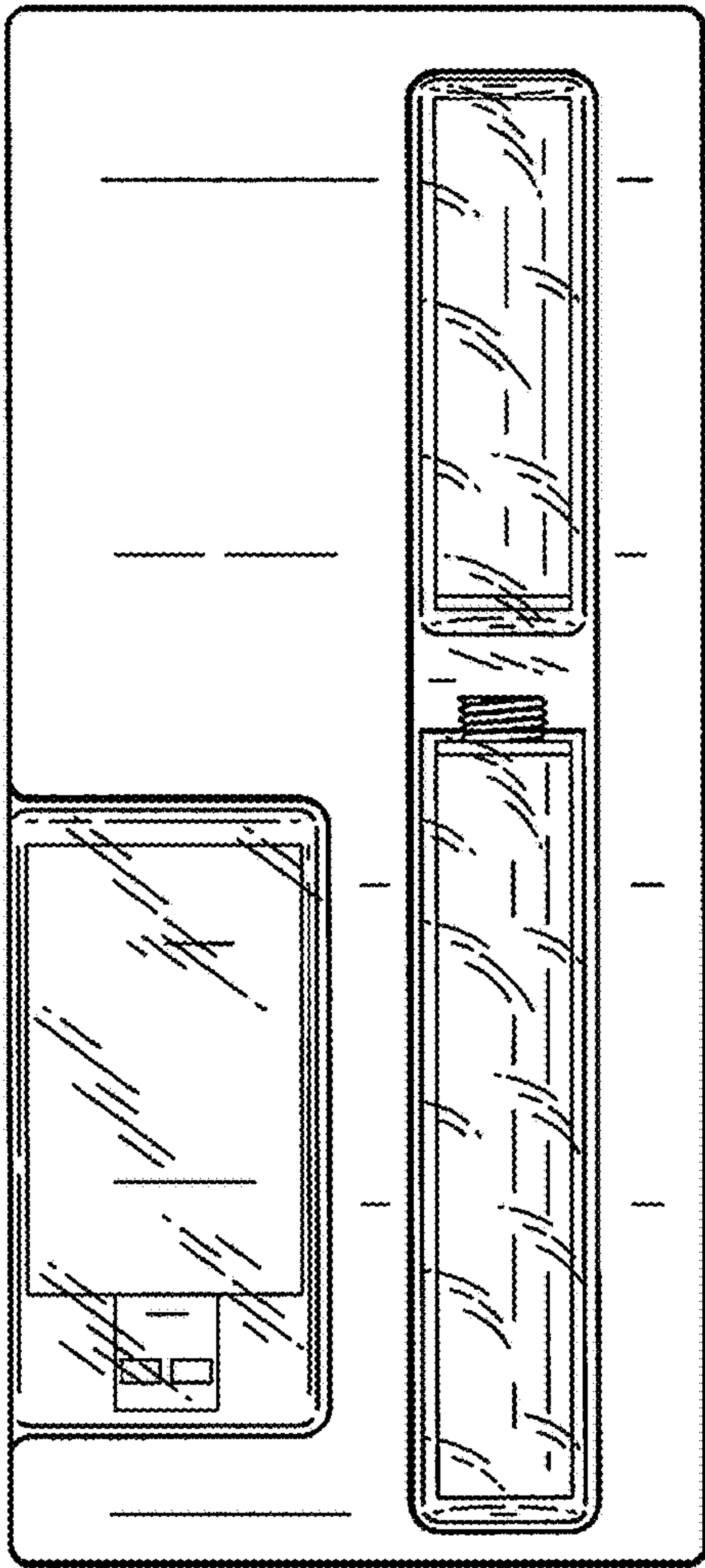


FIG. 10

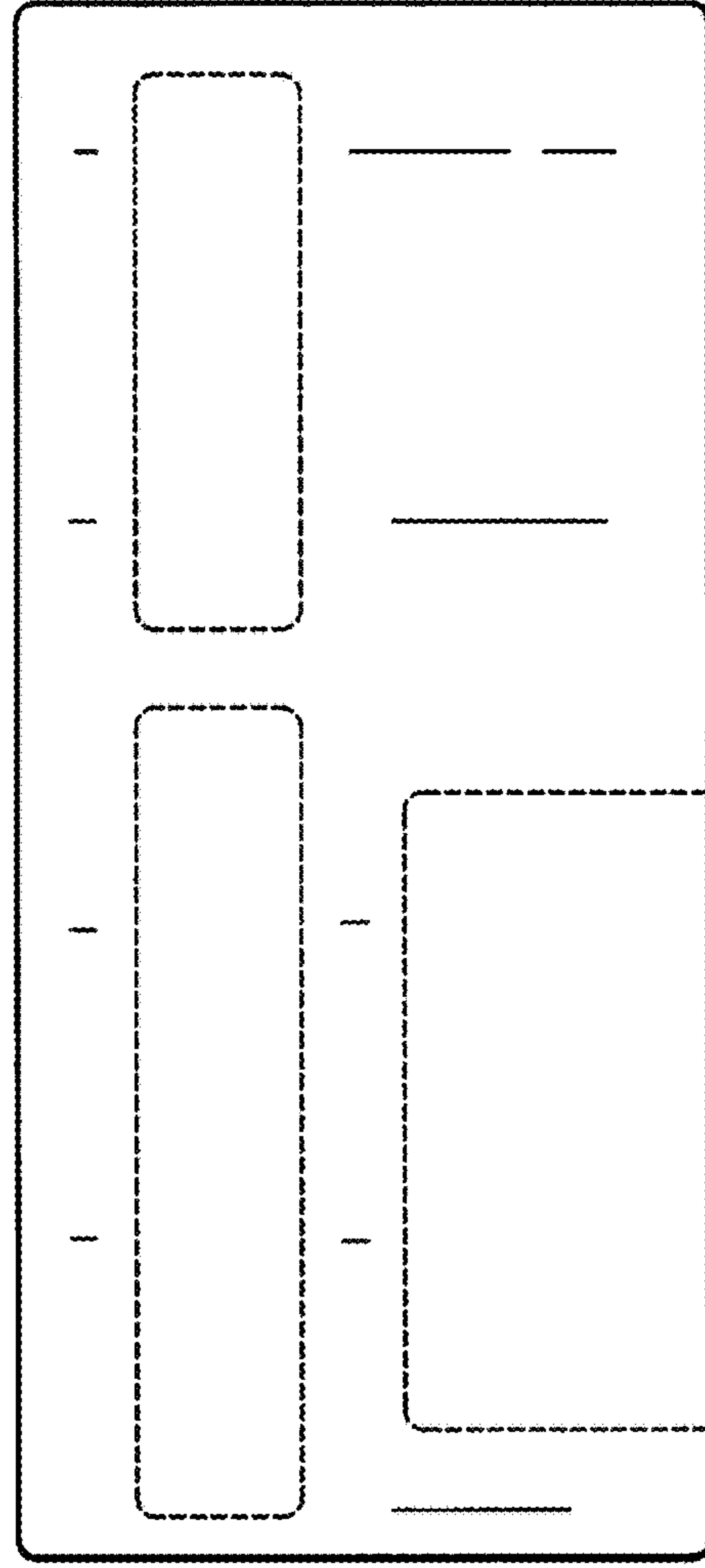


FIG. 11

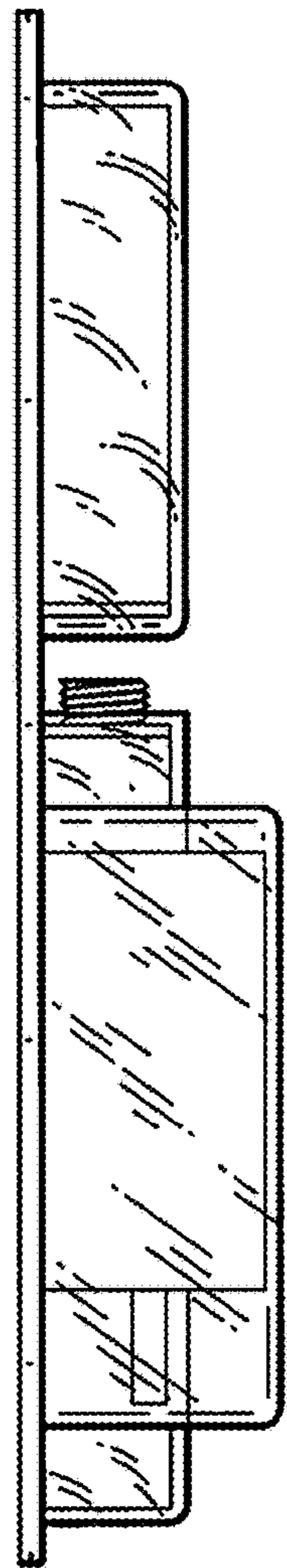


FIG. 12

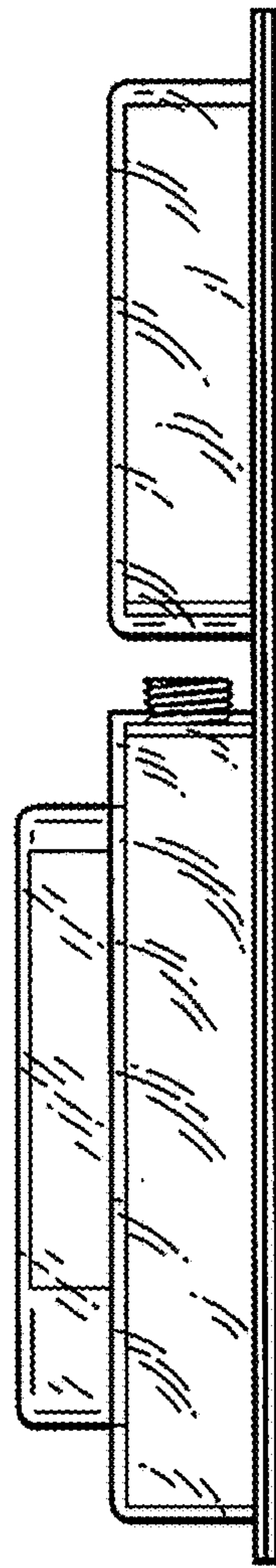


FIG. 13

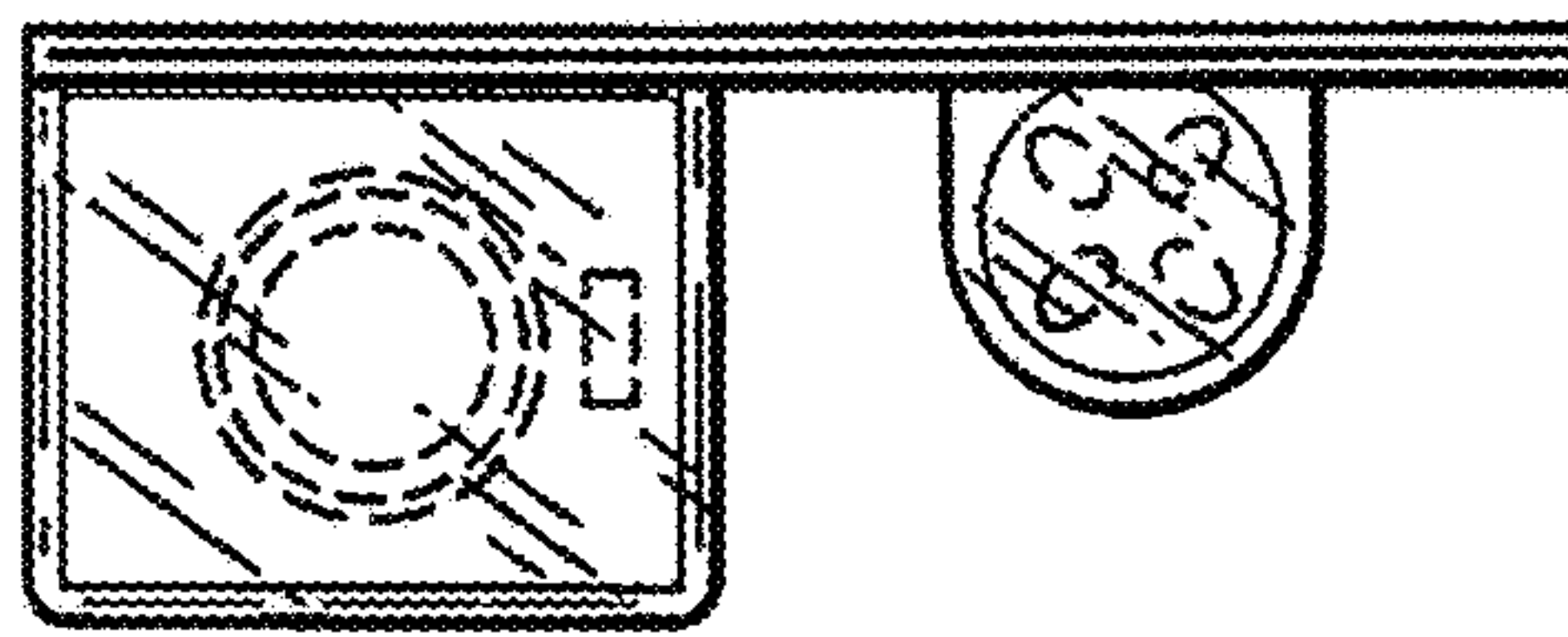


FIG. 14

