



US00D863946S

(12) **United States Design Patent** (10) **Patent No.:** **US D863,946 S**
Martinson (45) **Date of Patent:** **** Oct. 22, 2019**

(54) **TIE** 1,407,406 A 2/1922 Glazebrook
1,894,906 A 1/1933 Henry
(71) Applicant: **Nite Ize, Inc.**, Boulder, CO (US) 2,118,875 A 5/1938 Windheim
2,175,036 A 10/1939 Sipe
(72) Inventor: **Daniel J. Martinson**, Medina, MN 2,224,972 A 12/1940 Long et al.
(US) 2,307,808 A 1/1943 Segal
2,377,688 A 6/1945 Hubbell
(73) Assignee: **Nite Ize, Inc.**, Boulder, CO (US) 2,530,695 A 11/1950 Helmert
(Continued)

(**) Term: **15 Years**

FOREIGN PATENT DOCUMENTS

(21) Appl. No.: **29/672,590** CN 87100561 A 8/1988
CN 201072035 Y 6/2008
(22) Filed: **Dec. 6, 2018** (Continued)

Related U.S. Application Data

OTHER PUBLICATIONS

(63) Continuation of application No. 14/745,027, filed on Jun. 19, 2015, which is a continuation of application No. 13/563,562, filed on Jul. 31, 2012, now Pat. No. 9,174,781, which is a continuation-in-part of application No. 13/196,725, filed on Aug. 2, 2011, now Pat. No. 8,806,723, which is a continuation-in-part of application No. 12/247,523, filed on Oct. 8, 2008, now Pat. No. 8,387,216.

First Office Action by China Patent Office dated Oct. 25, 2016 as to counterpart App. 201380050829.6 (w/English translation) (23 pages).
(Continued)

Primary Examiner — Mark A Goodwin
(74) *Attorney, Agent, or Firm* — Haynes and Boone, LLP

(51) **LOC (12) Cl.** **08-08**
(52) **U.S. Cl.**
USPC **D8/394**

(57) **CLAIM**

The ornamental design for the tie, as shown and described.

(58) **Field of Classification Search**
USPC D8/394–396, 356, 383; 24/16 PB, 17 AP, 24/3.5 P, 30.5 S, 300–302, 339, DIG. 16; 248/58, 60, 74.3, 71, 16, 878
CPC B65D 63/00; B65D 63/04; B62J 11/00; B29C 45/14565; B29L 2031/7276; Y10T 24/149

DESCRIPTION

FIG. 1 shows a front perspective view of a tie;
FIG. 2 shows a top view of the tie of FIG. 1;
FIG. 3 shows a bottom view of the tie of FIG. 1;
FIG. 4 shows a right side view of the tie of FIG. 1;
FIG. 5 shows a left side view of the tie of FIG. 1;
FIG. 6 shows a right side view of the tie of FIG. 1; and,
FIG. 7 shows the left side view of the tie of FIG. 1.
The broken line showing of the ends of the claim included for the purpose of illustrating portions of the tie and forms no part of the claimed design.

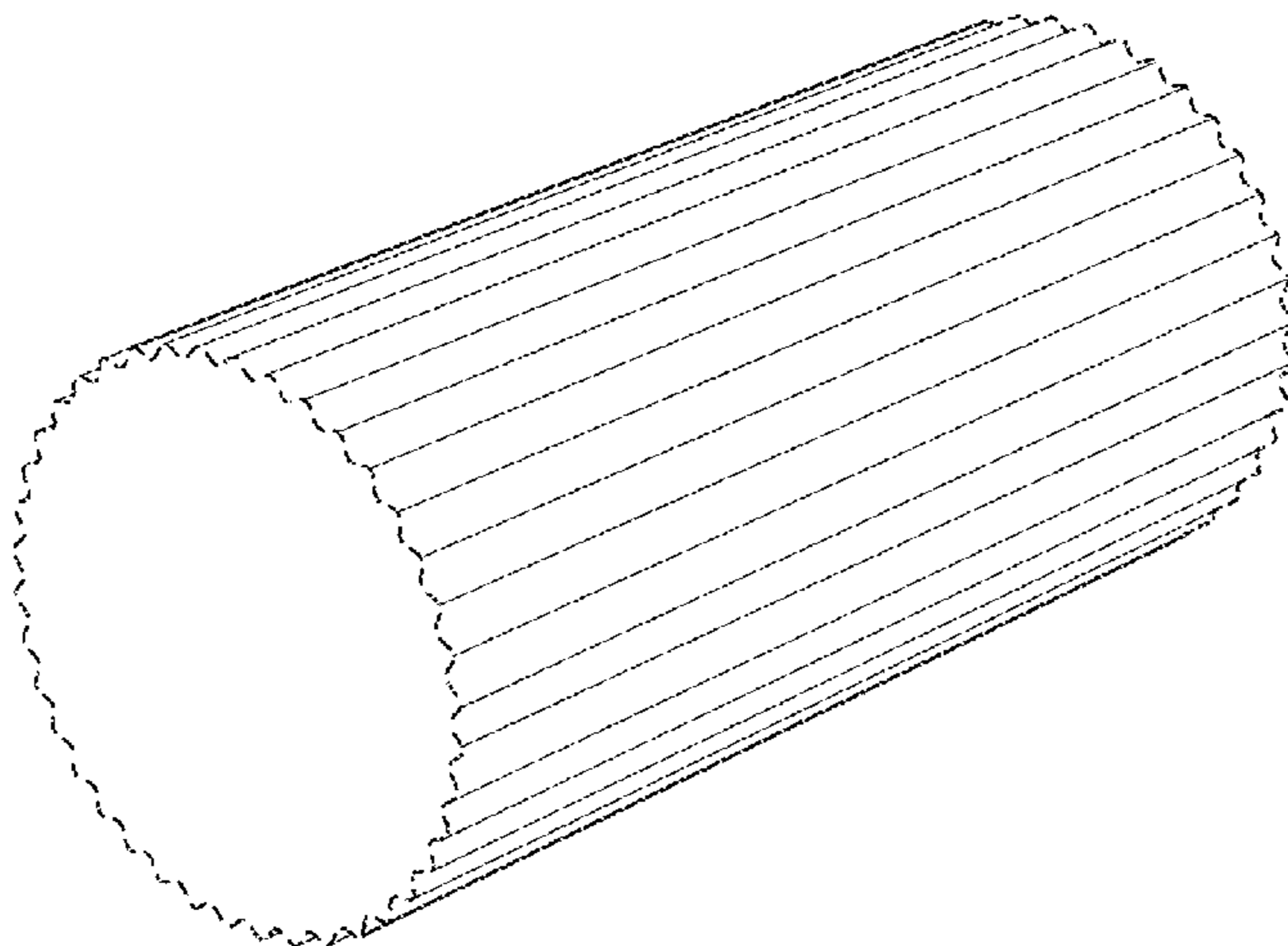
See application file for complete search history.

(56) **References Cited**

U.S. PATENT DOCUMENTS

757,820 A 4/1904 Lykke
1,251,778 A 1/1918 Humble

1 Claim, 3 Drawing Sheets



(56)

References Cited

U.S. PATENT DOCUMENTS

2,542,601 A	2/1951	Van Cleef	5,714,211 A	2/1998	Zinbarg et al.
D165,253 S	11/1951	Ward	5,769,994 A	6/1998	Booz et al.
2,581,825 A	1/1952	Ah Fong Lau Ah You	5,787,361 A	7/1998	Chen
3,023,483 A	3/1962	Steiner	5,788,134 A	8/1998	Matic, Jr.
3,214,309 A	10/1965	Di Leo et al.	D399,021 S	9/1998	Lam
3,257,054 A	6/1966	Miesel	5,827,461 A	10/1998	Feltman
3,426,393 A	2/1969	Mead	5,833,188 A	11/1998	Studdiford et al.
3,458,862 A	7/1969	Franks	5,853,212 A *	12/1998	Daniel A63C 11/025 294/147
3,543,353 A	12/1970	Meehan	5,864,924 A	2/1999	Rodriguez
3,564,667 A	2/1971	Parrick, III et al.	5,898,975 A	5/1999	Hancock
3,757,429 A	9/1973	Sumino	5,916,006 A	6/1999	Ganson
3,768,711 A	10/1973	Wilkinson	5,944,080 A	8/1999	Podwika
3,806,358 A	4/1974	Glander et al.	D425,226 S	5/2000	Galli
3,906,139 A	9/1975	Hiraoka et al.	D426,235 S	6/2000	Phirippidis et al.
3,917,387 A	11/1975	Ensing	6,081,695 A	6/2000	Wallace et al.
3,930,288 A	1/1976	Black et al.	6,086,029 A	7/2000	Oliver
3,947,927 A	4/1976	Rosenthal	6,105,923 A	8/2000	Robertson et al.
3,960,302 A	6/1976	Mazzoni, Jr.	6,113,170 A	9/2000	Daniel
3,997,945 A	12/1976	Robins	6,114,036 A	9/2000	Rinehart et al.
4,015,762 A	4/1977	Mendillo	D433,642 S	11/2000	Bauman
4,120,437 A	10/1978	Hara	D438,536 S	3/2001	Willison et al.
D250,631 S	12/1978	Stephenson	6,206,187 B1	3/2001	Van Winkle
4,267,768 A	5/1981	Cieslak et al.	6,206,542 B1	3/2001	Case et al.
4,463,885 A	8/1984	Ball et al.	6,237,740 B1	5/2001	Weatherall et al.
4,483,470 A	11/1984	Cousins	6,332,052 B1	12/2001	Luther et al.
4,484,378 A	11/1984	Kimura et al.	D455,419 S	4/2002	Inoue
4,488,748 A	12/1984	Burkes	D455,815 S	4/2002	Bonzer
4,524,937 A	6/1985	Zizan	6,364,257 B1	4/2002	Holder
4,531,661 A	7/1985	Santy	6,372,344 B1	4/2002	Castellani et al.
D280,180 S	8/1985	Burt	D465,292 S	11/2002	Ko
4,540,006 A	9/1985	Collis	6,473,944 B1	11/2002	Vazin
4,553,779 A	11/1985	Shortridge	6,478,282 B1	11/2002	Flemming
4,641,454 A	2/1987	Ray et al.	D466,287 S	12/2002	Tanaka
4,648,414 A *	3/1987	Fox A45D 8/34 132/246	6,527,482 B1	3/2003	Stankus
4,666,417 A	5/1987	Hillman	6,563,927 B2	5/2003	Mote et al.
4,679,387 A	7/1987	Weidenhaupt et al.	6,705,497 B1	3/2004	Schuett
4,699,303 A	10/1987	Kline	6,742,685 B2	6/2004	Williams
4,753,355 A	6/1988	Hall et al.	D493,280 S	7/2004	Tabata
4,761,053 A	8/1988	Cogelia et al.	6,785,566 B1	8/2004	Irizarry
4,817,837 A	4/1989	Grover	D499,546 S	12/2004	Smithers
4,834,118 A	5/1989	Goeller	6,848,663 B2	2/2005	Olive
4,856,689 A	8/1989	Shore	D508,605 S	8/2005	Hwang et al.
4,867,478 A	9/1989	Anderson	7,011,879 B1 *	3/2006	Contreras B65D 33/30 24/30.5 T
D304,270 S	10/1989	Goldman	D520,526 S	5/2006	Wuest et al.
4,897,768 A	1/1990	Thul	D523,022 S	6/2006	Peng
4,915,996 A	4/1990	Curry	D528,539 S	9/2006	McClaude
D308,205 S	5/1990	Tholberg	D531,339 S	10/2006	Lee et al.
4,943,016 A	7/1990	Hennecke	7,123,801 B2	10/2006	Fitz
D310,909 S	10/1990	Bradt	D533,994 S	12/2006	Hussaini et al.
D317,611 S	6/1991	Poe	D534,004 S	12/2006	Waniga
5,054,299 A	10/1991	Maveety	D536,116 S	1/2007	Sharrah
5,056,820 A	10/1991	Des Prez	7,192,069 B1	3/2007	Daniel
D323,826 S	2/1992	Suzuki et al.	7,250,213 B2	7/2007	Duncan
5,104,017 A	4/1992	Vandagriff	D565,290 S	4/2008	Brandenburg et al.
5,154,964 A	10/1992	Iwai et al.	7,357,540 B2	4/2008	Booty, Jr.
5,178,354 A	1/1993	Engvall	7,377,828 B2	5/2008	Cheung
5,190,336 A	3/1993	Palz	D570,844 S	6/2008	Liu et al.
5,199,135 A	4/1993	Gold	D574,819 S	8/2008	Andre et al.
5,234,370 A	8/1993	Shapero et al.	D575,056 S	8/2008	Tan
5,310,376 A	5/1994	Mayuzumi et al.	D579,009 S	10/2008	Su et al.
5,342,687 A	8/1994	Iwai et al.	D580,437 S	11/2008	Kiyomiya et al.
D354,620 S	1/1995	King et al.	D586,795 S	2/2009	Richter
5,390,884 A	2/1995	Skoff et al.	D587,708 S	3/2009	Yoshida et al.
5,437,401 A	8/1995	Seltzer	D588,735 S	3/2009	Woodard
5,468,036 A	11/1995	Brown	D591,044 S	4/2009	Lakhiani
5,498,190 A	3/1996	Ganson	7,516,575 B2	4/2009	Cuccurullo
5,522,122 A	6/1996	Turchick et al.	D592,341 S	5/2009	Fan
D372,358 S	8/1996	Mathison	D593,750 S	6/2009	Song
5,590,422 A	1/1997	Henderson	D594,224 S	6/2009	Leung et al.
D377,798 S	2/1997	Heine	D597,298 S	8/2009	Lown et al.
5,607,748 A	3/1997	Feltman	7,571,837 B2	8/2009	Orlowski
D379,542 S	5/1997	Egashira	D600,852 S	9/2009	Clepper et al.
5,664,589 A	9/1997	Black	7,609,512 B2	10/2009	Richardson et al.
5,711,143 A	1/1998	Munakata et al.	D603,603 S	11/2009	Laine et al.
			D606,311 S	12/2009	Lown et al.
			D606,312 S	12/2009	Lown et al.
			D606,739 S	12/2009	Fahrendorff et al.

(56)

References Cited

U.S. PATENT DOCUMENTS

7,630,745 B2 12/2009 Chen et al.
D609,226 S 2/2010 Hofer et al.
D609,460 S 2/2010 Riccardi
D609,853 S 2/2010 Salatto-Rose
D610,135 S 2/2010 Hofer et al.
7,661,620 B2 2/2010 Fields
7,673,745 B2 3/2010 Sirichai et al.
7,683,275 B2 3/2010 Moore et al.
D613,498 S 4/2010 Tsai
D614,402 S 4/2010 Lown et al.
D615,078 S 5/2010 Bradley
D616,292 S * 5/2010 Martinson D8/394
D616,361 S 5/2010 Huang
D617,093 S 6/2010 Pedersen et al.
D619,361 S 7/2010 Andre et al.
7,757,913 B2 7/2010 Fichera
D620,931 S 8/2010 Opman
D622,429 S 8/2010 Jones
D623,180 S 9/2010 Diebel
D625,303 S 10/2010 Kim
D628,534 S 12/2010 Daniel
D628,798 S 12/2010 Kalbach
D629,404 S 12/2010 Wu et al.
D630,848 S 1/2011 Long et al.
D630,936 S 1/2011 Carney
D631,058 S 1/2011 Chin et al.
7,861,981 B2 1/2011 Olver
7,901,148 B2 3/2011 Zunker
D635,555 S 4/2011 Giles
D637,592 S 5/2011 Magness et al.
D638,005 S 5/2011 Richardson et al.
D638,828 S 5/2011 Melanson et al.
D641,974 S 7/2011 Stampfli
7,980,435 B2 7/2011 Tages
D643,029 S 8/2011 Feng
D644,168 S 8/2011 Bishay et al.
D644,428 S 9/2011 Feng
8,033,678 B2 10/2011 Patterson
D648,332 S 11/2011 Kim et al.
D649,347 S 11/2011 Smith et al.
D649,537 S 11/2011 Magness et al.
D649,539 S 11/2011 Hong
D650,371 S 12/2011 Wibby et al.
D651,204 S 12/2011 Wibby et al.
D652,825 S 1/2012 Bau
D654,069 S 2/2012 Kwon et al.
D654,914 S 2/2012 Martin
D655,081 S 3/2012 Maravilla et al.
D657,782 S 4/2012 Biller
D658,169 S 4/2012 Mo
D660,857 S 5/2012 Emami
8,204,561 B2 6/2012 Mongan et al.
D662,925 S 7/2012 Mayberry et al.
D663,263 S 7/2012 Gupta et al.
D663,725 S 7/2012 Polito
8,245,842 B2 8/2012 Bau
8,246,268 B1 8/2012 Dratewski
D669,062 S 10/2012 Rothbaum et al.
D669,618 S 10/2012 Ormsbee et al.
D669,619 S 10/2012 Ormsbee et al.
8,286,789 B2 10/2012 Wilson et al.
8,297,440 B2 10/2012 Schmidt et al.
D670,279 S 11/2012 Veltz et al.
8,316,611 B2 11/2012 Ellis et al.
D672,735 S 12/2012 Barley et al.
D672,754 S 12/2012 Inada
D675,014 S 1/2013 Adelman et al.
8,356,736 B2 1/2013 Musgrave
D675,605 S 2/2013 Adelman et al.
D675,606 S 2/2013 Adelman et al.
D676,841 S 2/2013 Magness et al.
D678,755 S * 3/2013 Weidemann D8/382
8,387,216 B1 3/2013 Martinson
D679,701 S * 4/2013 Adelman D14/253
8,428,664 B1 4/2013 Wyers

D681,612 S 5/2013 Palacios
D683,136 S 5/2013 Wilson et al.
D684,358 S 6/2013 Pegg
D685,990 S 7/2013 Zhang
8,478,357 B1 7/2013 Harrington
D690,292 S 9/2013 Bibla et al.
8,616,422 B2 12/2013 Adelman et al.
8,776,322 B2 * 7/2014 Martinson B65D 63/10
24/30.5 T
8,806,723 B2 * 8/2014 Martinson B65D 63/00
24/16 PB
D728,235 S * 5/2015 Martinson D3/273
D728,351 S * 5/2015 Martinson D8/373
D728,352 S * 5/2015 Martinson D8/373
9,174,781 B2 * 11/2015 Case B62J 11/00
D749,409 S * 2/2016 Martinson D8/396
D769,607 S * 10/2016 Martinson D2/978
D774,879 S * 12/2016 Martinson D8/394
D787,105 S * 5/2017 Kelleghan D26/46
9,999,915 B2 * 6/2018 Clark B21F 45/16
2002/0028336 A1 3/2002 Jaccoud
2002/0118535 A1 8/2002 Nostrant
2003/0019894 A1 1/2003 Caldana
2003/0103624 A1 6/2003 Hu
2004/0089688 A1 5/2004 Perez
2005/0035161 A1 2/2005 Shioda
2005/0057921 A1 3/2005 Menosky
2005/0093205 A1 5/2005 Martin et al.
2005/0211357 A1 9/2005 Ren
2005/0274211 A1 12/2005 Edgman
2005/0274425 A1 12/2005 Ostrander et al.
2006/0058070 A1 3/2006 Chang
2008/0096620 A1 4/2008 Lee et al.
2008/0124544 A1 5/2008 Alexander et al.
2008/0127460 A1 6/2008 Severen et al.
2008/0223389 A1 9/2008 Harvie
2008/0254281 A1 10/2008 Chen et al.
2009/0000086 A1 1/2009 Bing
2009/0045310 A1 2/2009 Koesema, Jr.
2009/0095854 A1 4/2009 Forbes et al.
2009/0140016 A1 6/2009 Case et al.
2010/0021155 A1 1/2010 Orzeck et al.
2010/0059649 A1 3/2010 Buxton
2010/0115732 A1 5/2010 Honeycutt
2010/0203931 A1 8/2010 Hyneczek et al.
2010/0224519 A1 9/2010 Kao
2010/0294908 A1 11/2010 Mish et al.
2010/0300909 A1 12/2010 Hung
2011/0031287 A1 2/2011 Le Gette et al.
2011/0073608 A1 3/2011 Richardson et al.
2011/0228459 A1 9/2011 Richardson et al.
2011/0286217 A1 11/2011 Martinson et al.
2012/0088558 A1 4/2012 Song
2012/0175474 A1 7/2012 Barnard et al.
2013/0026316 A1 1/2013 Case et al.
2013/0032617 A1 2/2013 Adelman et al.
2013/0118932 A1 5/2013 Green et al.
2013/0174382 A1 7/2013 Martinson

FOREIGN PATENT DOCUMENTS

CN 201137823 Y 10/2008
CN 101523112 A 9/2009
CN 201530531 U 7/2010
CN 102498316 A 6/2012
JP 2004000405 A 1/2004
JP 2004-238038 A 8/2004
JP 2004-320987 A 11/2004
KR 100988204 B1 10/2010
WO WO 2010/138381 A1 12/2010

OTHER PUBLICATIONS

Second Office Action by China Patent Office dated Apr. 12, 2017 as to counterpart App. 201180073958.8 (w/English translation) (21 pages).
In the U.S. Appl. No. 12/247,523 Final Office Action dated Aug. 16, 2012, 11 pages.

(56)

References Cited

OTHER PUBLICATIONS

In the U.S. Appl. No. 12/247,523 Non-Final Office Action dated Jan. 31, 2012, 7 pages.

In the U.S. Appl. No. 12/247,523 Non-Final Office Action dated Jul. 13, 2011, 9 pages.

In the U.S. Appl. No. 13/196,725 Non-Final Office Action dated Dec. 3, 2013, 6 pages.

In the U.S. Appl. No. 13/196,762 Non-Final Office Action dated Mar. 26, 2013, 13 pages.

In the U.S. Appl. No. 13/563,562 Non-Final Office Action dated Oct. 6, 2014, 8 pages.

In the U.S. Appl. No. 13/784,455 Final Office Action dated Nov. 8, 2013, 11 pages.

In the U.S. Appl. No. 13/784,455 Non-Final Office Action dated May 22, 2013, 9 pages.

In the U.S. Appl. No. 13/968,181 Non-Final Office Action dated Oct. 3, 2014, 5 pages.

In the U.S. Appl. No. 29/433,070 Non-Final Office Action dated Mar. 24, 2014, 7 pages.

Acor Volara 4E foam padding, <URL:http://www.acor.com/volara.htm>, retrieved from Internet on Nov. 15, 2012.

ACOR, ACOR present Volara 4E, Mar. 2, 2008; <http://acor.com/volara.htm>.

Cruzerlite Razr Maxx case review, posted on Oct. 3, 2012, <URL:http://forums.androidcentral.com/droid-razr-maxx/213784-cruzerlite-razr-maxx-case-review.html>, retrieved from Internet on Nov. 14, 2012. International Search Report dated Dec. 9, 2011, in related PCT Application No. PCT/US2011/046304, 3 pages.

International Search Report dated Oct. 18, 2012, in co-pending PCT Application No. PCT/US12/49309, 4 pages.

Nite Ize Connect Case for iPhone, Published on Aug. 17, 2012, by Nite Ize, Inc. <URL:http://www.youtube.com/watch?v=4LDiXufkDgY>, retrieved from Internet on Nov. 14, 2012.

Nite Ize Connect Mobile Mount, Posted Aug. 10, 2012, by Daniel Turk, <URL:http://www.maclife.com/article/reviews/best_case_scenario_nite_ize_connect_case_and_mobile_mount>, retrieved from Internet on Nov. 14, 2012.

Web page illustration from web site illustrating Grip Twist lock and carry device; griptwist.com; Dakota Trading corporation, 2008.

Web page illustration from web site illustrating reusable silicone coated Sili Twists; www.wrapables.com; Wrapables, 2008.

Office Action dated Sep. 18, 2017 issued in parallel Chinese patent application No. 201180073958.8 (38 pages with English translation).

Office Action issued in corresponding Chinese patent app. No. 2018104486746 dated Mar. 26, 2019 (12 pages with English translations).

* cited by examiner

FIG. 1

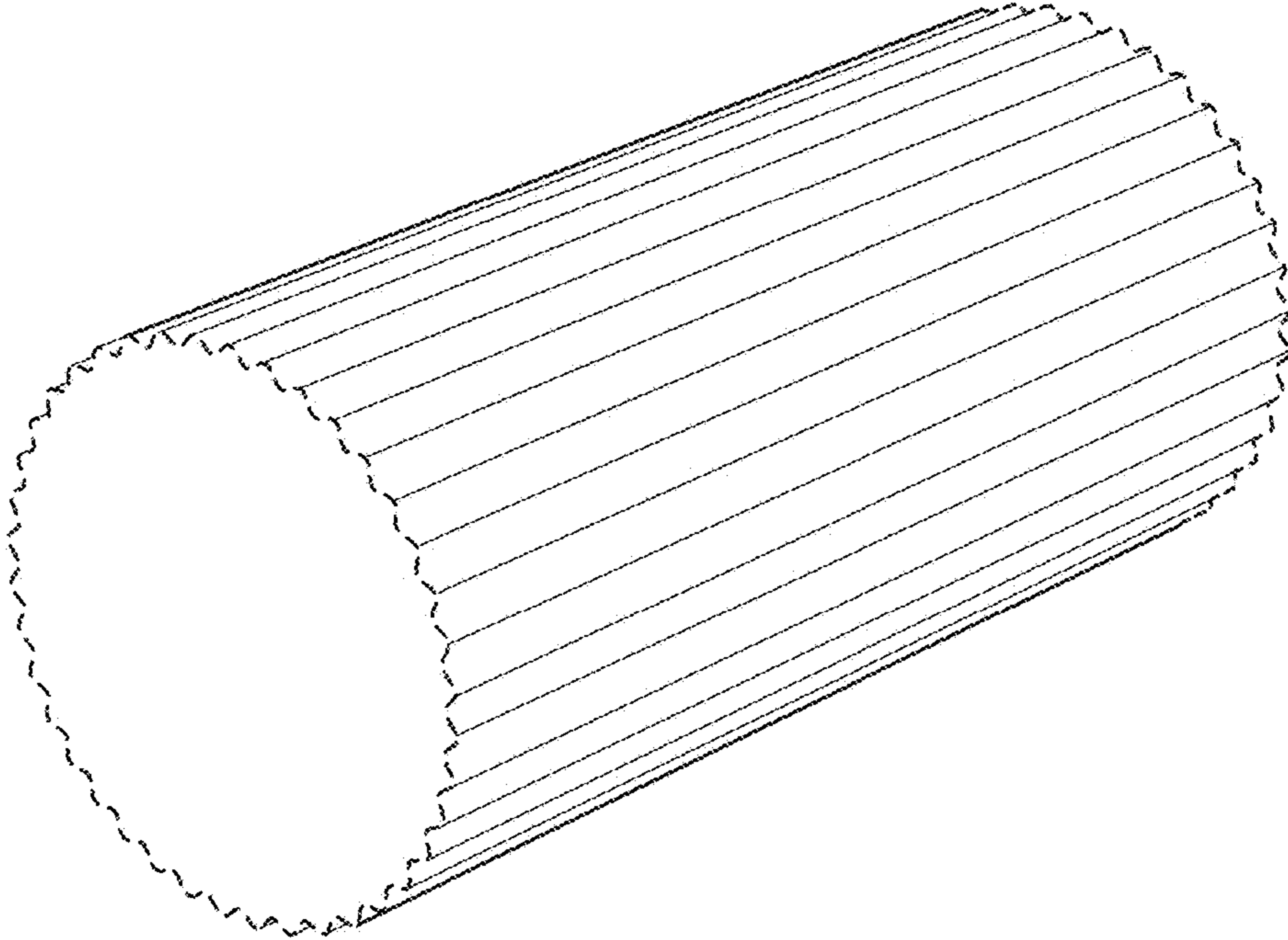


FIG. 2

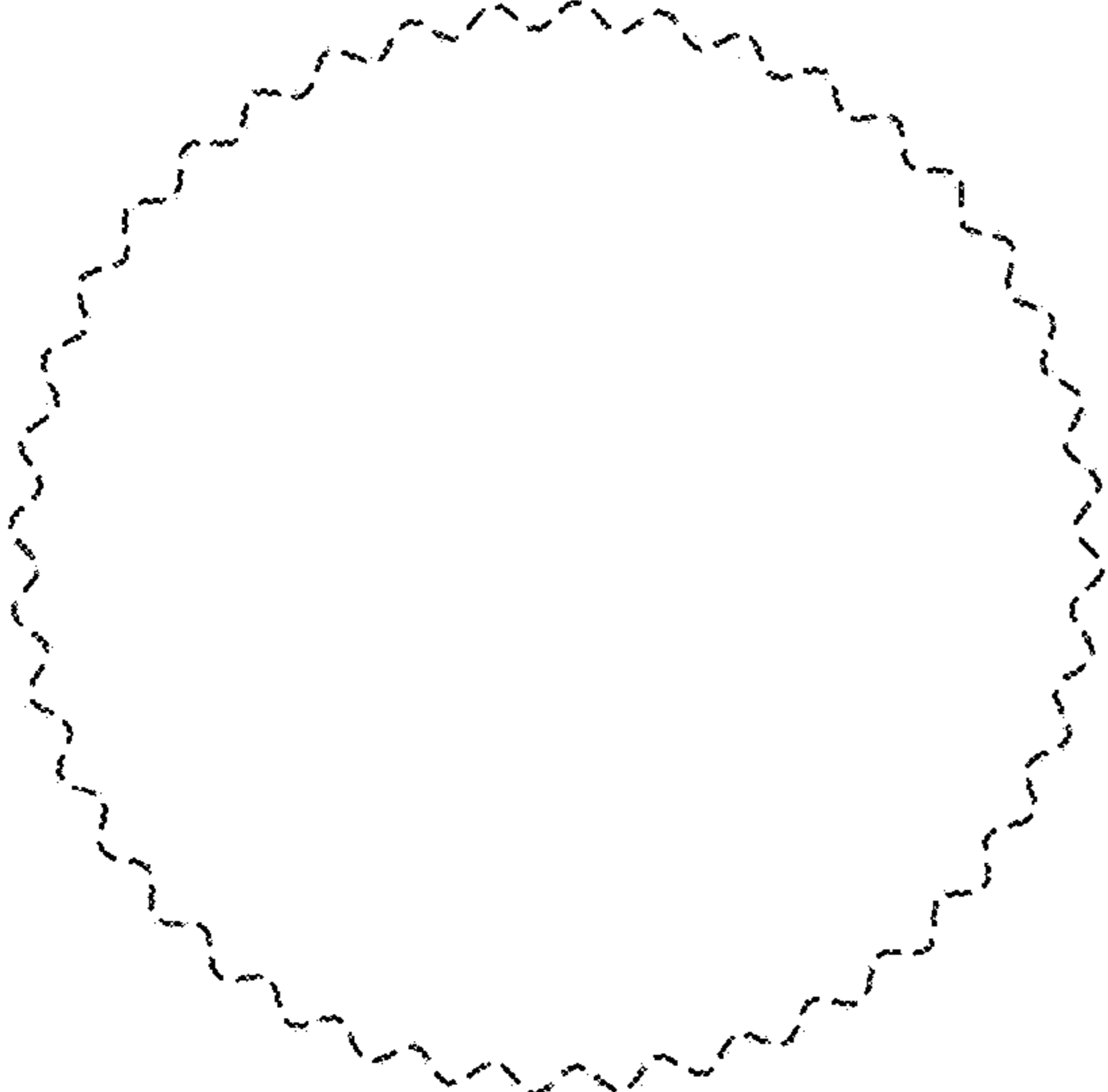


FIG. 3

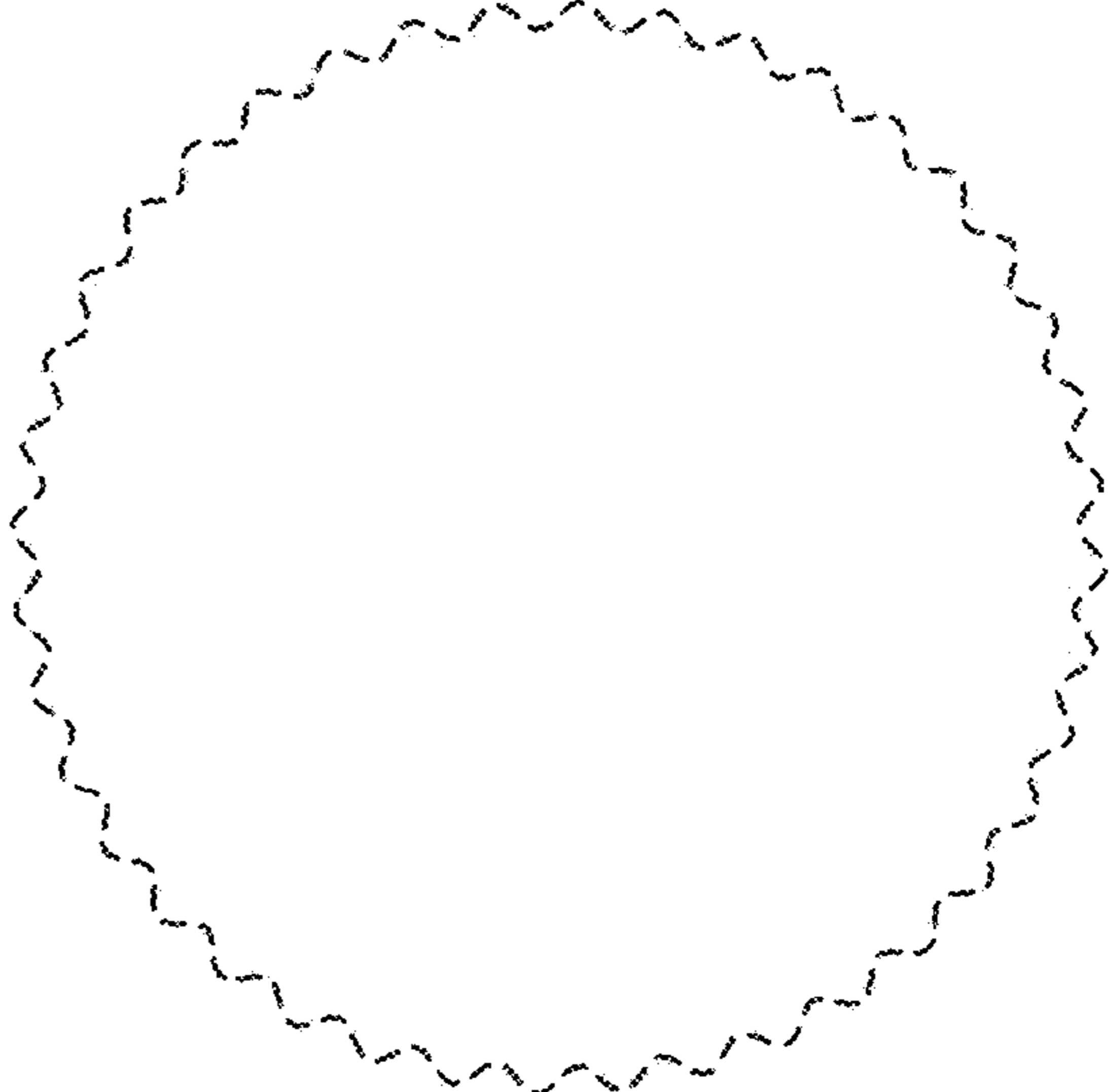


FIG. 4

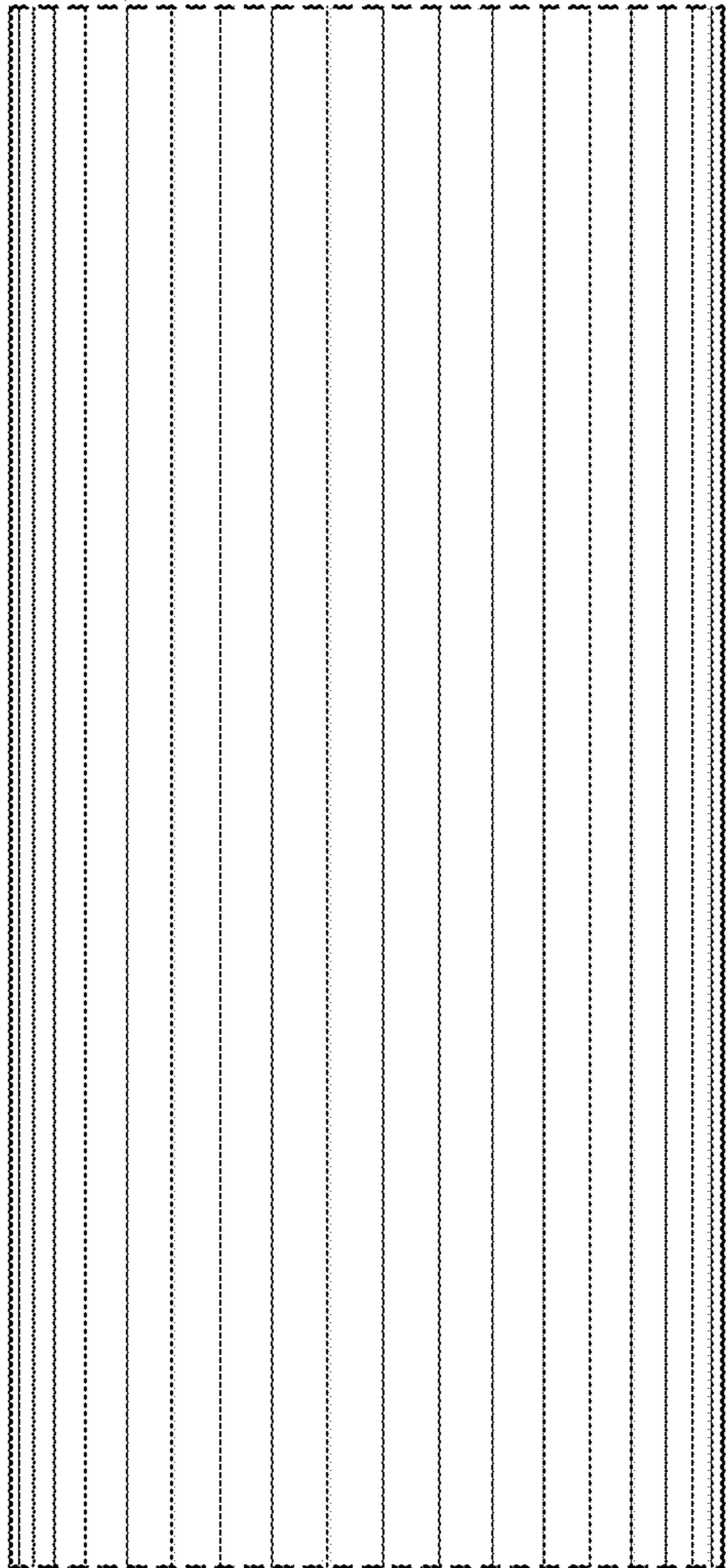


FIG. 5

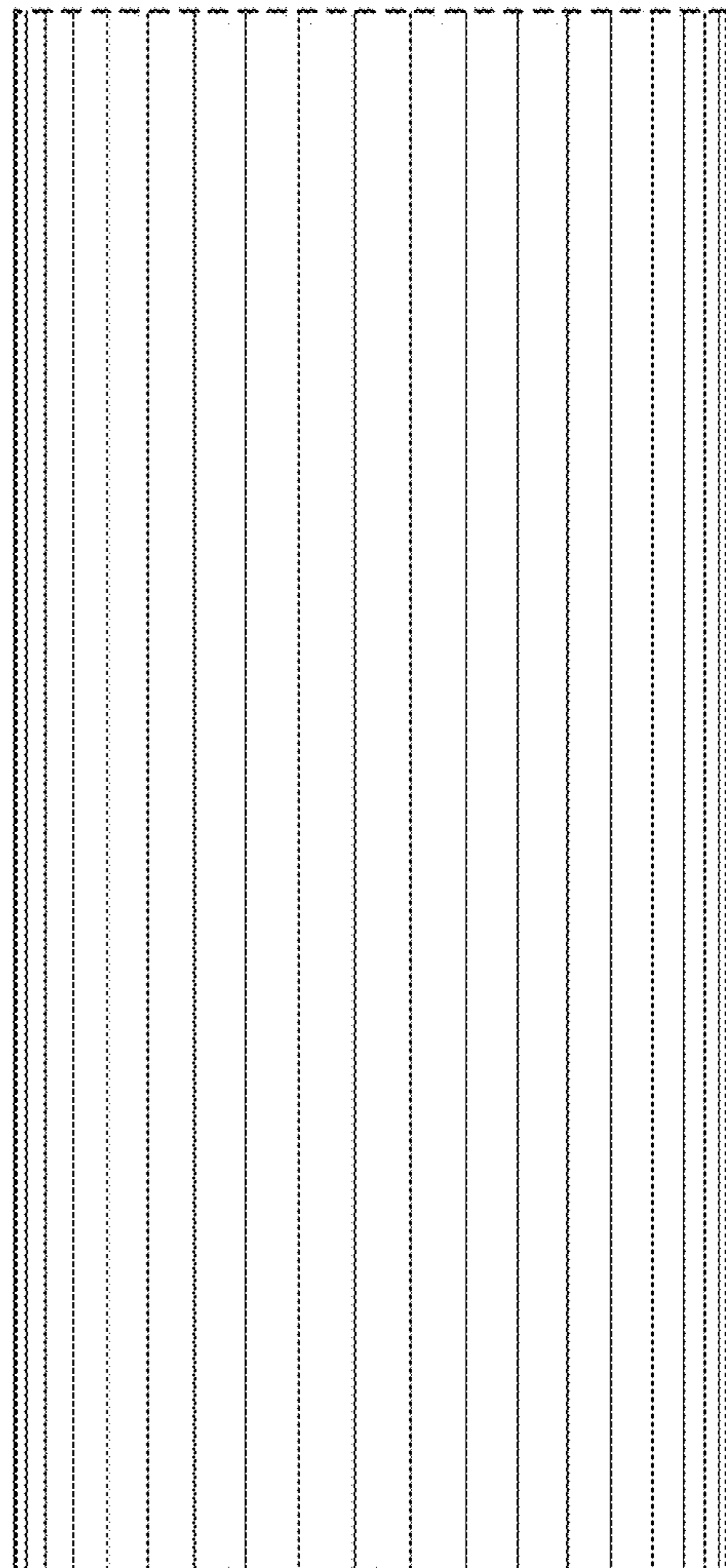


FIG. 6

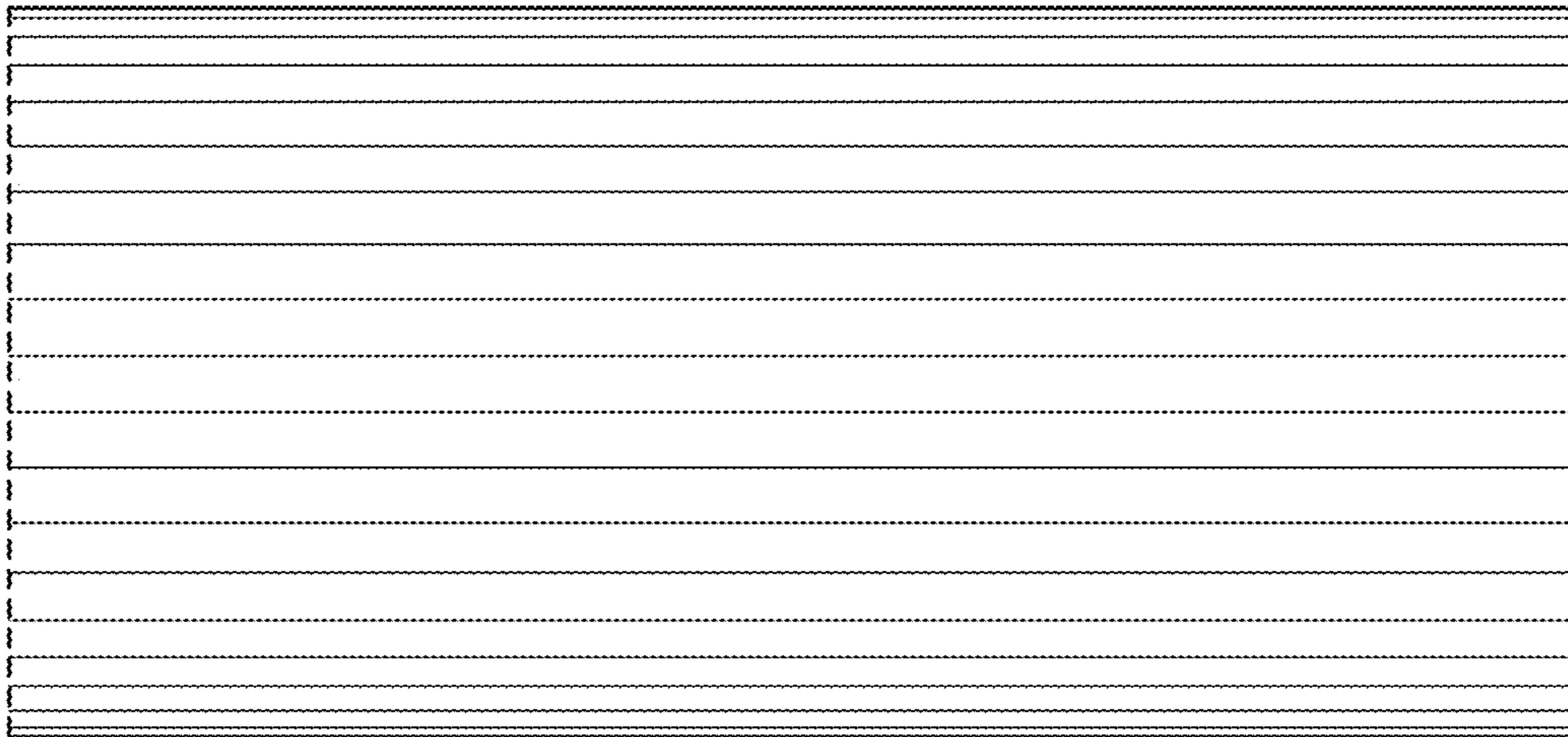


FIG. 7

