



US00D863944S

(12) **United States Design Patent**
Martinson

(10) **Patent No.:** **US D863,944 S**
(45) **Date of Patent:** **** Oct. 22, 2019**

(54) **TIE**
(71) Applicant: **NITE IZE, INC.**, Boulder, CO (US)
(72) Inventor: **Daniel Martinson**, Medina, MN (US)
(73) Assignee: **Nite Ize, Inc.**, Boulder, CO (US)
(**) Term: **15 Years**
(21) Appl. No.: **29/650,685**
(22) Filed: **Jun. 8, 2018**
(51) **LOC (12) Cl.** **08-08**
(52) **U.S. Cl.**
USPC **D8/394**
(58) **Field of Classification Search**
USPC D8/394–396, 356, 383; 24/16 PB, 17 AP,
24/3.5 P, 30.5 S, 300–302, 339, DIG. 16;
248/58, 60, 74.3, 71, 16, 878
CPC B65D 63/00; B65D 63/04; B62J 11/00;
B29C 45/14565; B29L 2031/7276; Y10T
24/149
See application file for complete search history.

7,011,879 B1 * 3/2006 Contreras B65D 33/30
24/30.5 T
D616,292 S * 5/2010 Martinson D8/394
D678,755 S * 3/2013 Weidemann D8/382
D679,701 S * 4/2013 Adelman D14/253
8,776,322 B2 * 7/2014 Martinson B65D 63/10
24/30.5 T
8,806,723 B2 * 8/2014 Martinson B65D 63/00
24/16 PB
D728,235 S * 5/2015 Martinson D3/273
D728,351 S * 5/2015 Martinson D8/373
D728,352 S * 5/2015 Martinson D8/373
9,174,781 B2 * 11/2015 Case B62J 11/00
D749,409 S * 2/2016 Martinson D8/396
D769,607 S * 10/2016 Martinson D2/978
D774,879 S * 12/2016 Martinson D8/394
D787,105 S * 5/2017 Kelleghan D26/46
9,999,915 B2 * 6/2018 Clark B21F 45/16

* cited by examiner

Primary Examiner — Mark A Goodwin
(74) *Attorney, Agent, or Firm* — Haynes and Boone, LLP

(57) **CLAIM**

The ornamental design for the tie, as shown and described.

DESCRIPTION

FIG. 1 shows a front perspective view of a tie;
FIG. 2 shows a rear perspective view of the tie;
FIG. 3 shows a side view of the tie of FIG. 1; and,
FIG. 4 shows a symmetrical end view of the tie of FIG. 1.

1 Claim, 1 Drawing Sheet

(56) **References Cited**
U.S. PATENT DOCUMENTS
4,648,414 A * 3/1987 Fox A45D 8/34
132/246
5,853,212 A * 12/1998 Daniel A63C 11/025
294/147

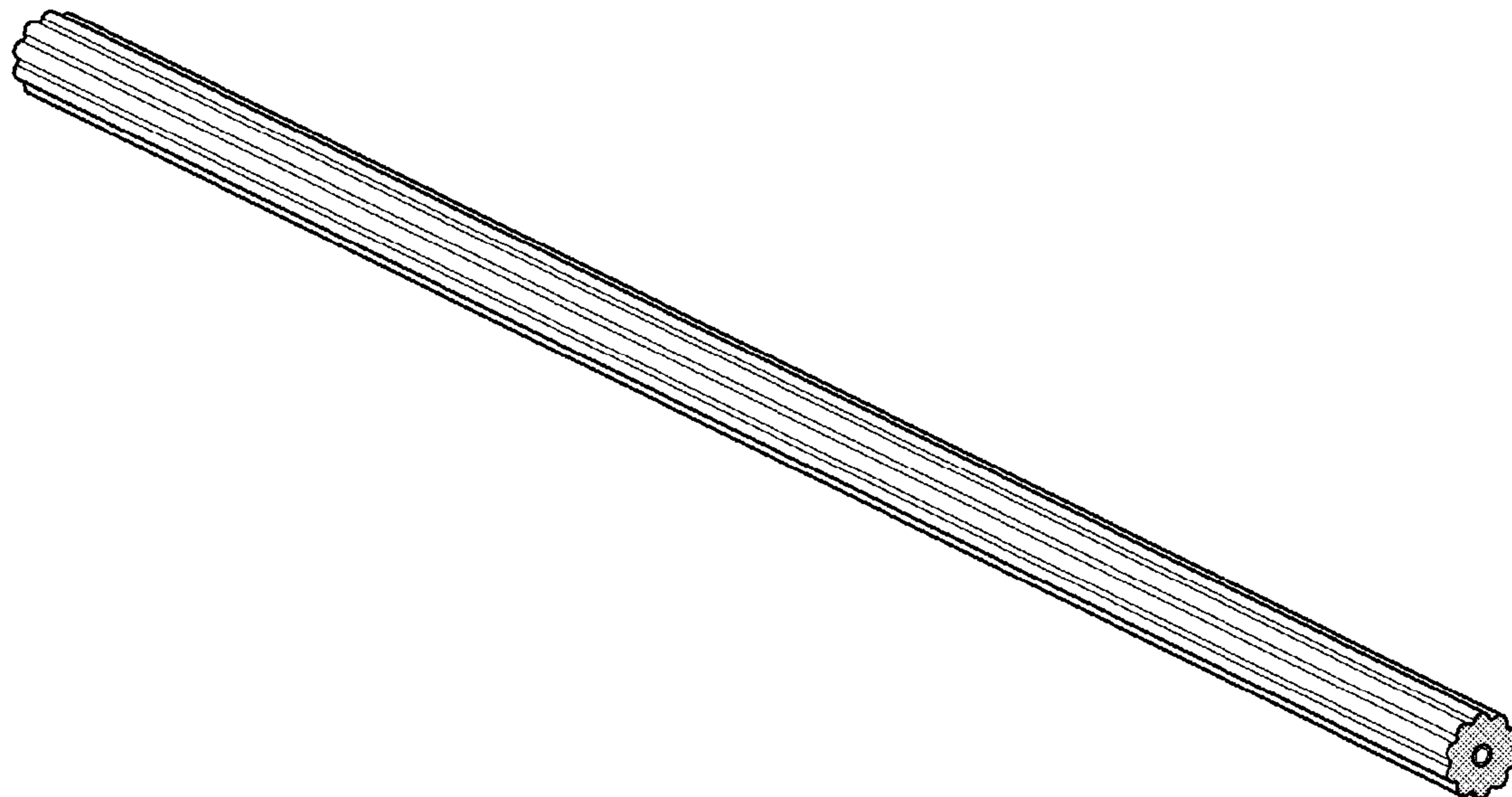


FIG. 1

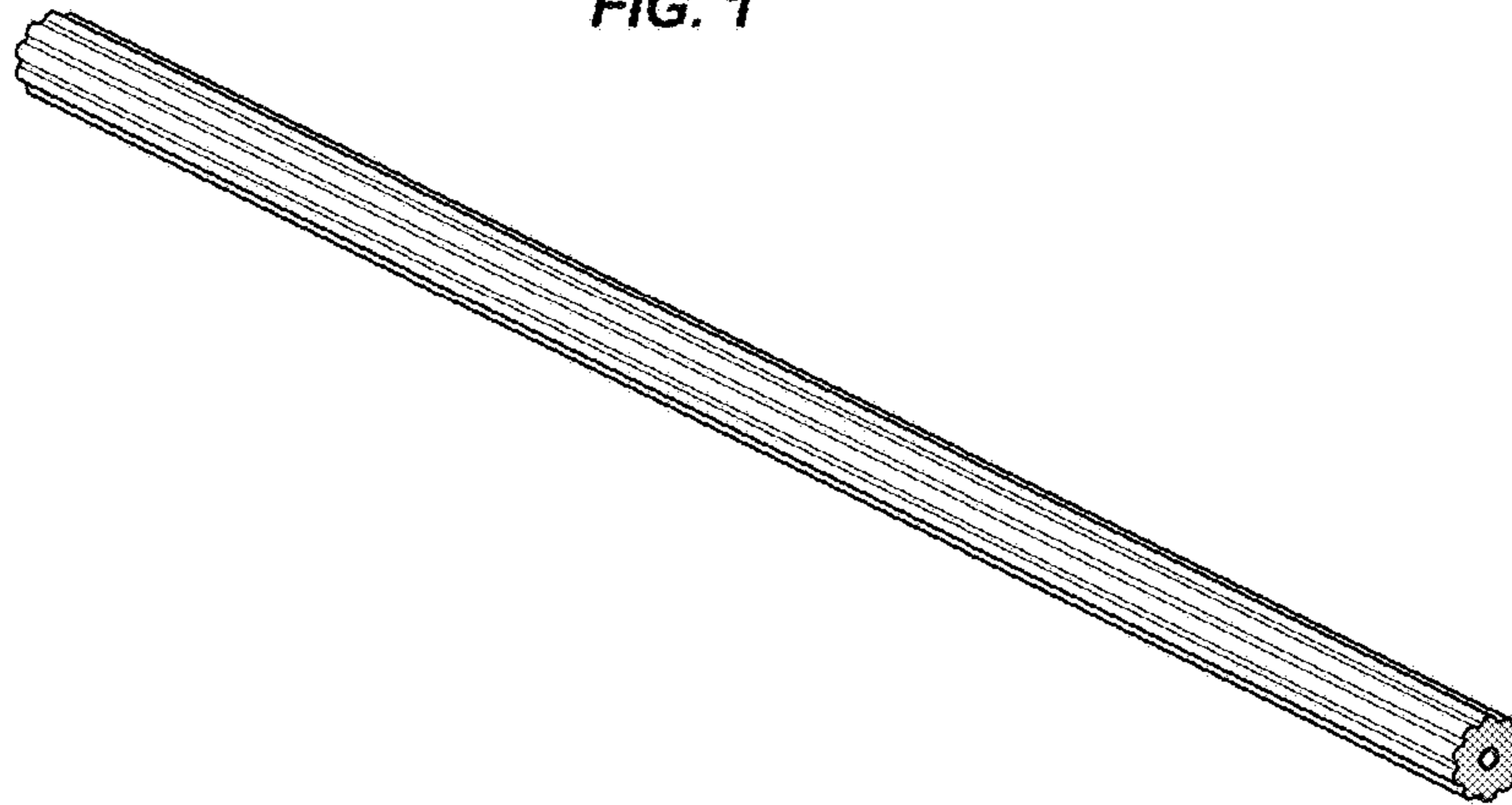


FIG. 2

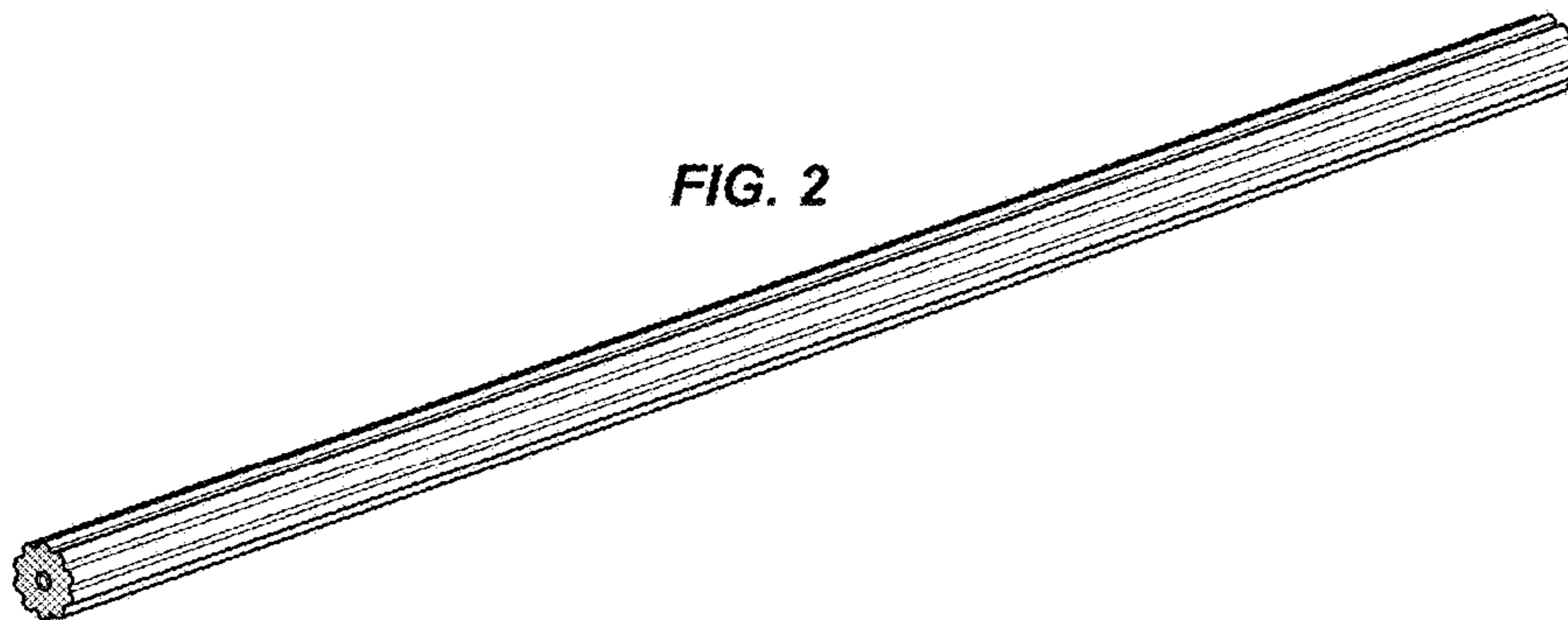


FIG. 3



FIG. 4

