

US00D863942S

(12) **United States Design Patent** (10) **Patent No.:** **US D863,942 S**
Kao (45) **Date of Patent:** **** Oct. 22, 2019**

(54) **POSITIONING BASE FOR A SOCKET HOLDING FRAME**

9,694,491 B1 * 7/2017 Kao B25H 3/003
D817,736 S * 5/2018 Kao D8/366

* cited by examiner

(71) Applicant: **Jui-Chien Kao**, Taichung (TW)

Primary Examiner — Randall H Gholson

(72) Inventor: **Jui-Chien Kao**, Taichung (TW)

(74) *Attorney, Agent, or Firm* — C. G. Mersereau; DeWitt LLP

(**) Term: **15 Years**

(57) **CLAIM**

(21) Appl. No.: **29/655,416**

The ornamental design for a positioning base for a socket holding frame, as shown and described.

(22) Filed: **Jul. 3, 2018**

DESCRIPTION

(51) **LOC (12) Cl.** **08-05**

(52) **U.S. Cl.**
USPC **D8/366**

(58) **Field of Classification Search**
USPC D8/16, 18, 19, 33, 38, 363, 354, 349,
D8/382, 356, 355, 330, 383, 370;
D6/684; D25/156
CPC A47F 7/0028
See application file for complete search history.

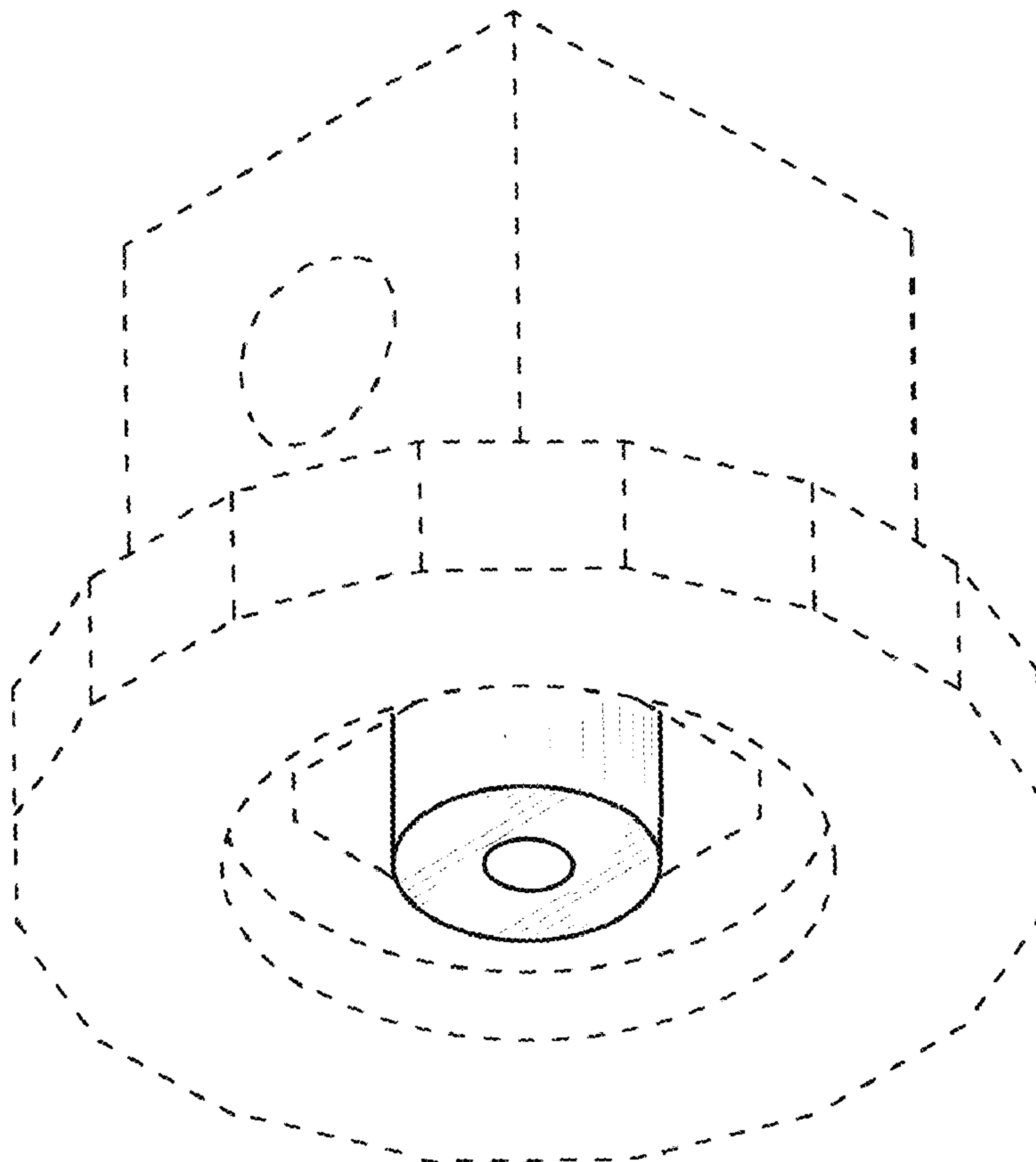
FIG. 1 is a perspective view of a positioning base for a socket holding frame, showing my new design;
FIG. 2 is a front view thereof;
FIG. 3 is a rear view thereof;
FIG. 4 is a left side view thereof;
FIG. 5 is a right side view thereof;
FIG. 6 is a top view thereof;
FIG. 7 is a bottom view thereof; and,
FIG. 8 is a perspective view of another embodiment thereof.
The broken lines depict environmental subject matter, are for illustration only and form no part of the claimed design.

(56) **References Cited**

U.S. PATENT DOCUMENTS

9,538,862 B2 * 1/2017 Kao A47F 5/08

1 Claim, 8 Drawing Sheets



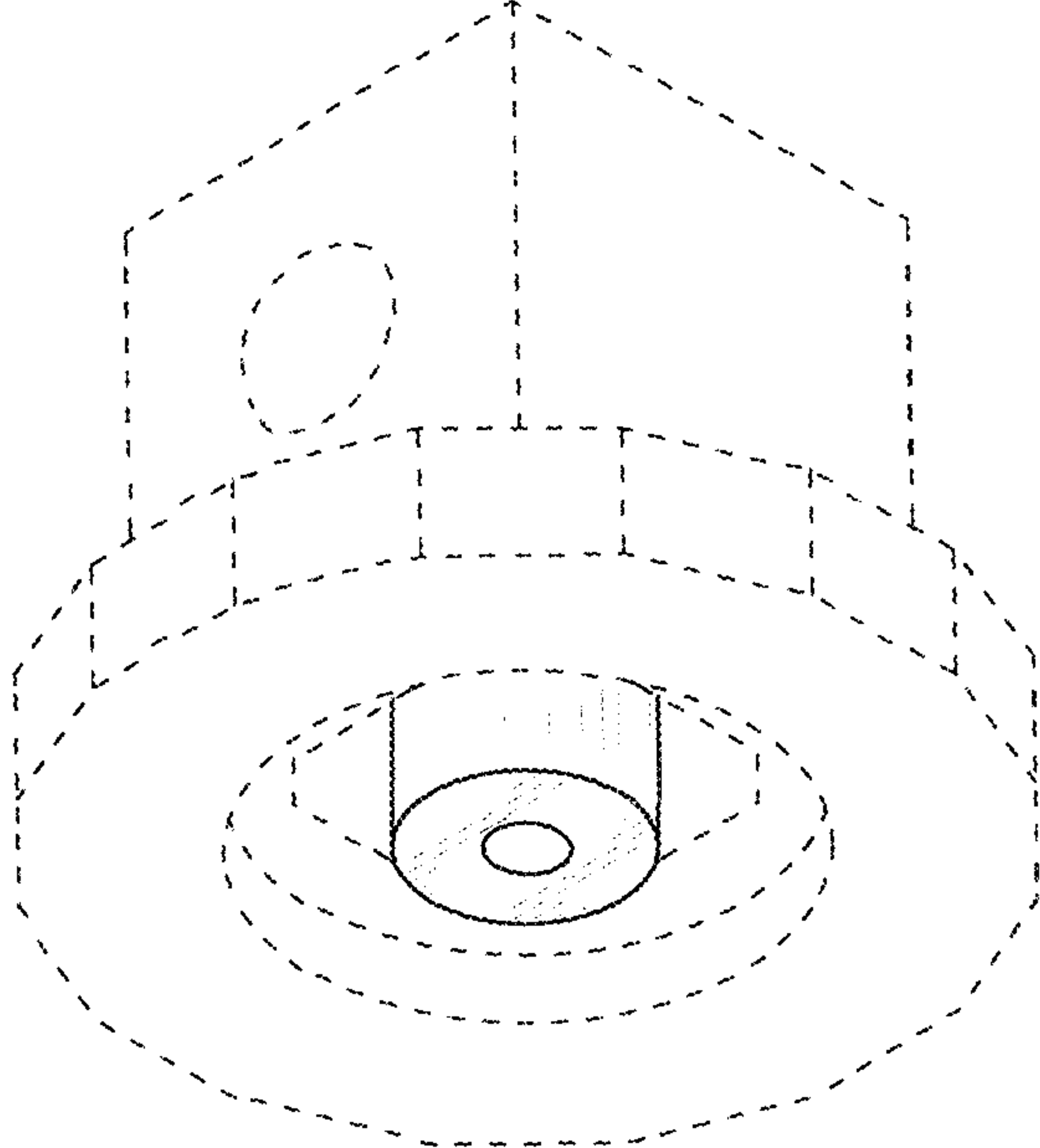


FIG.1

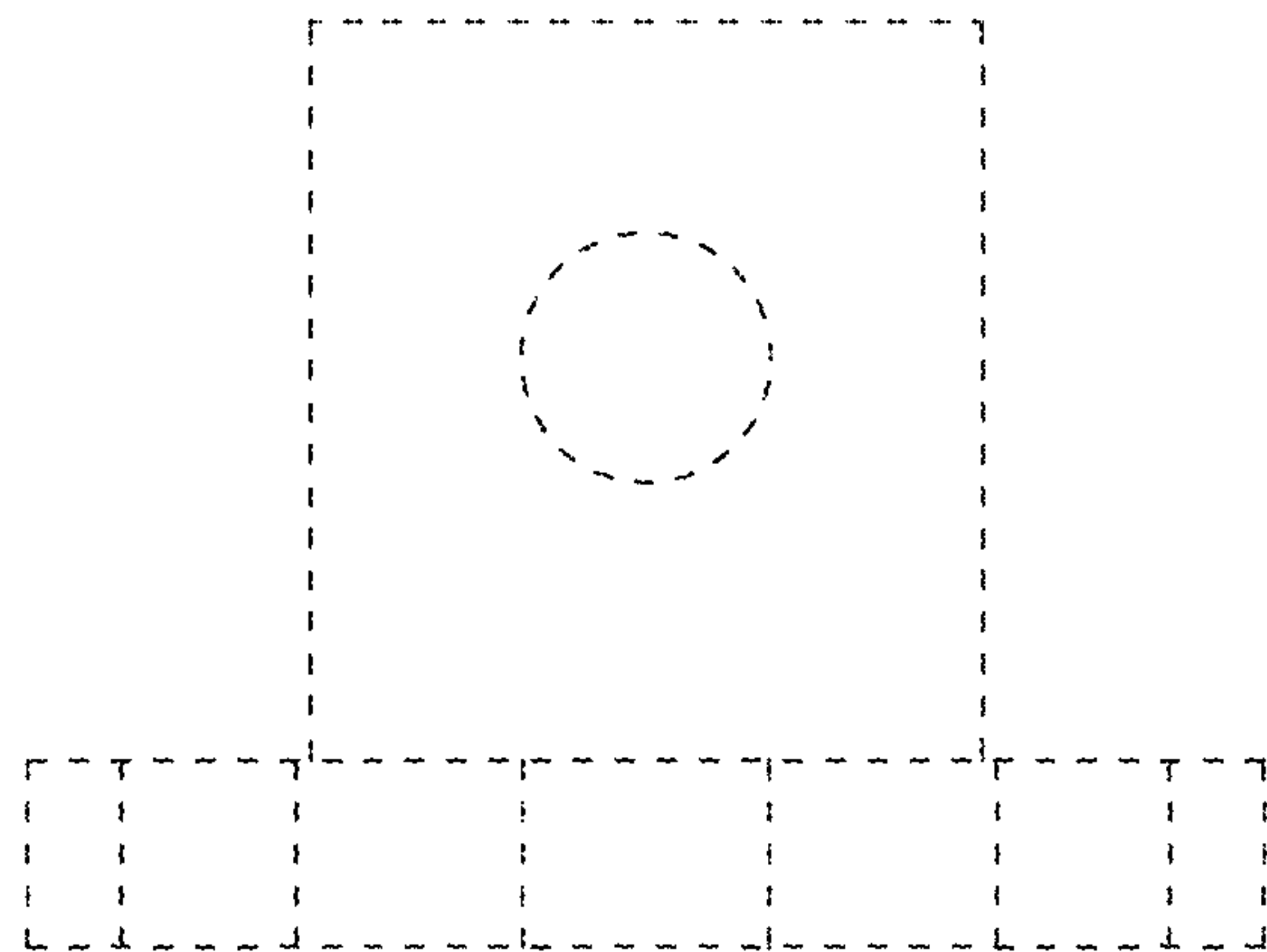


FIG.2

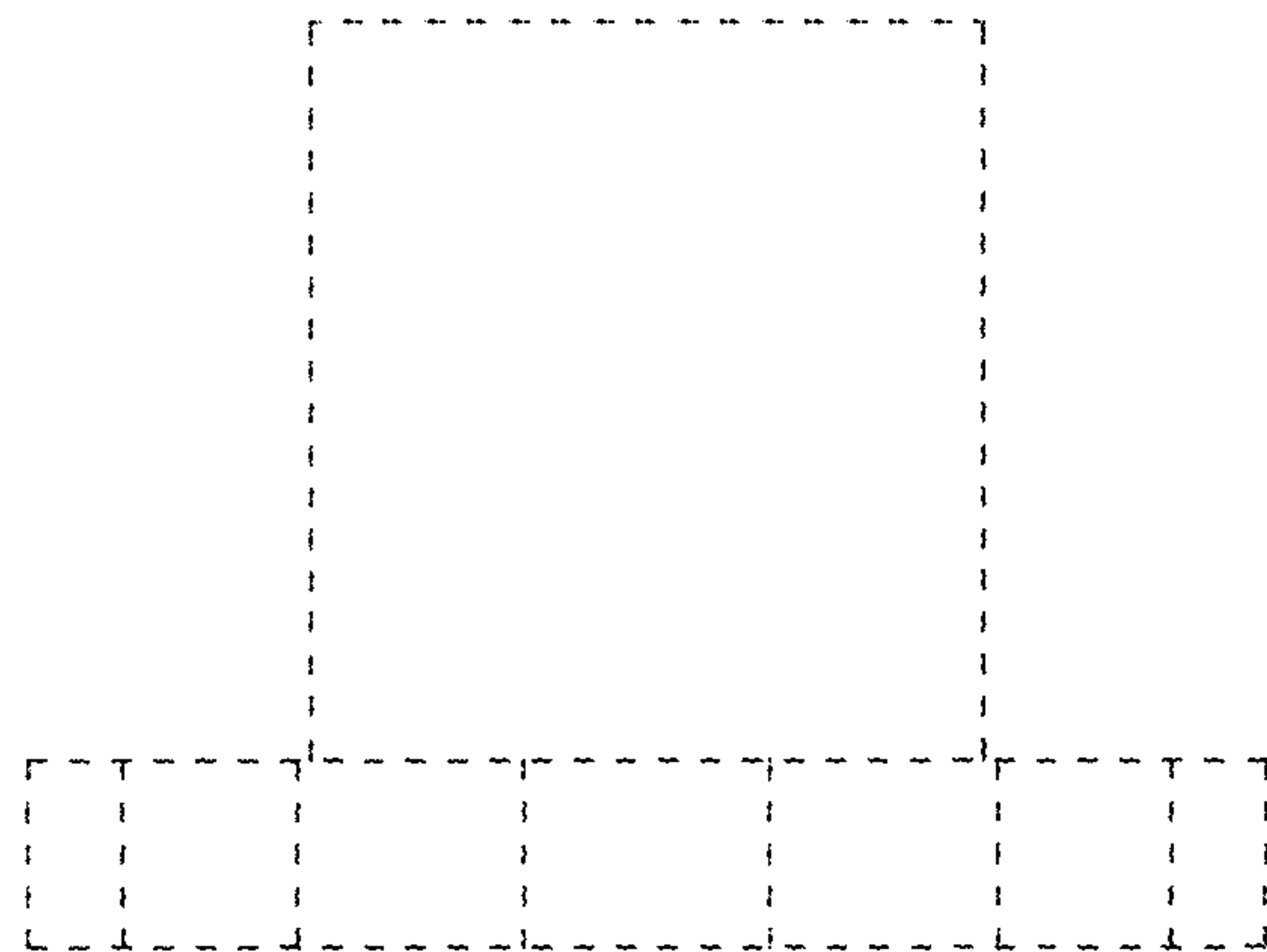


FIG.3

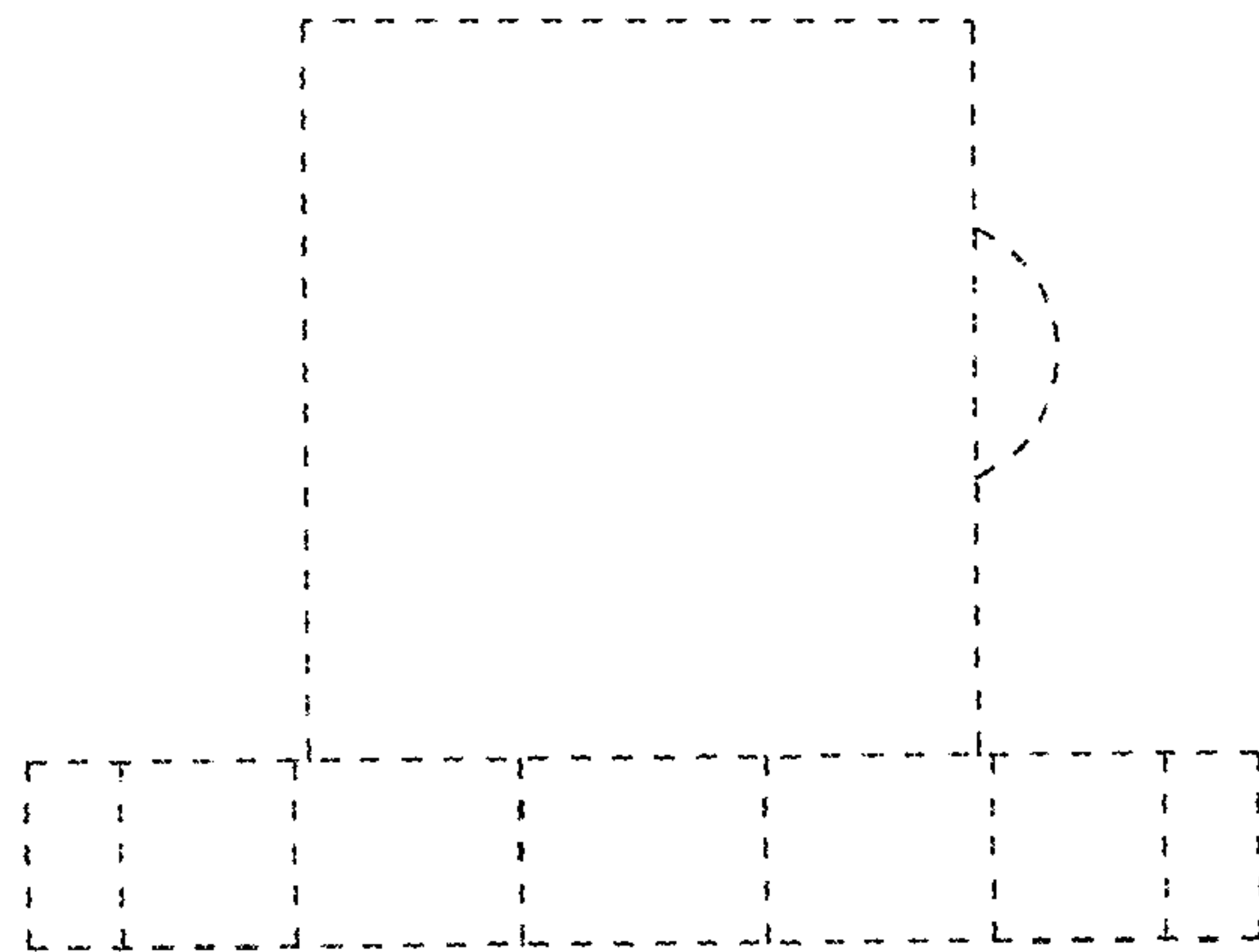


FIG.4

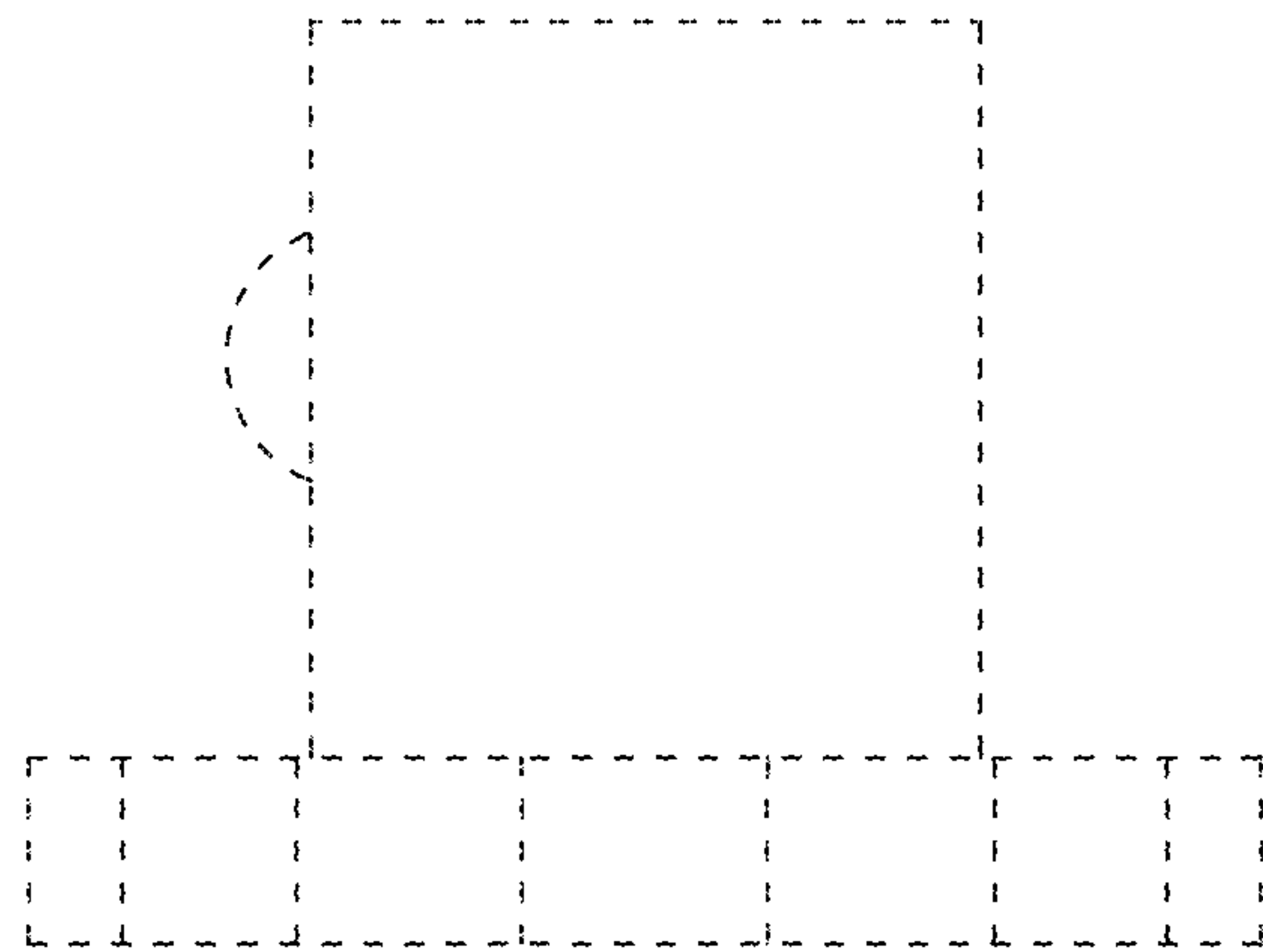


FIG. 5

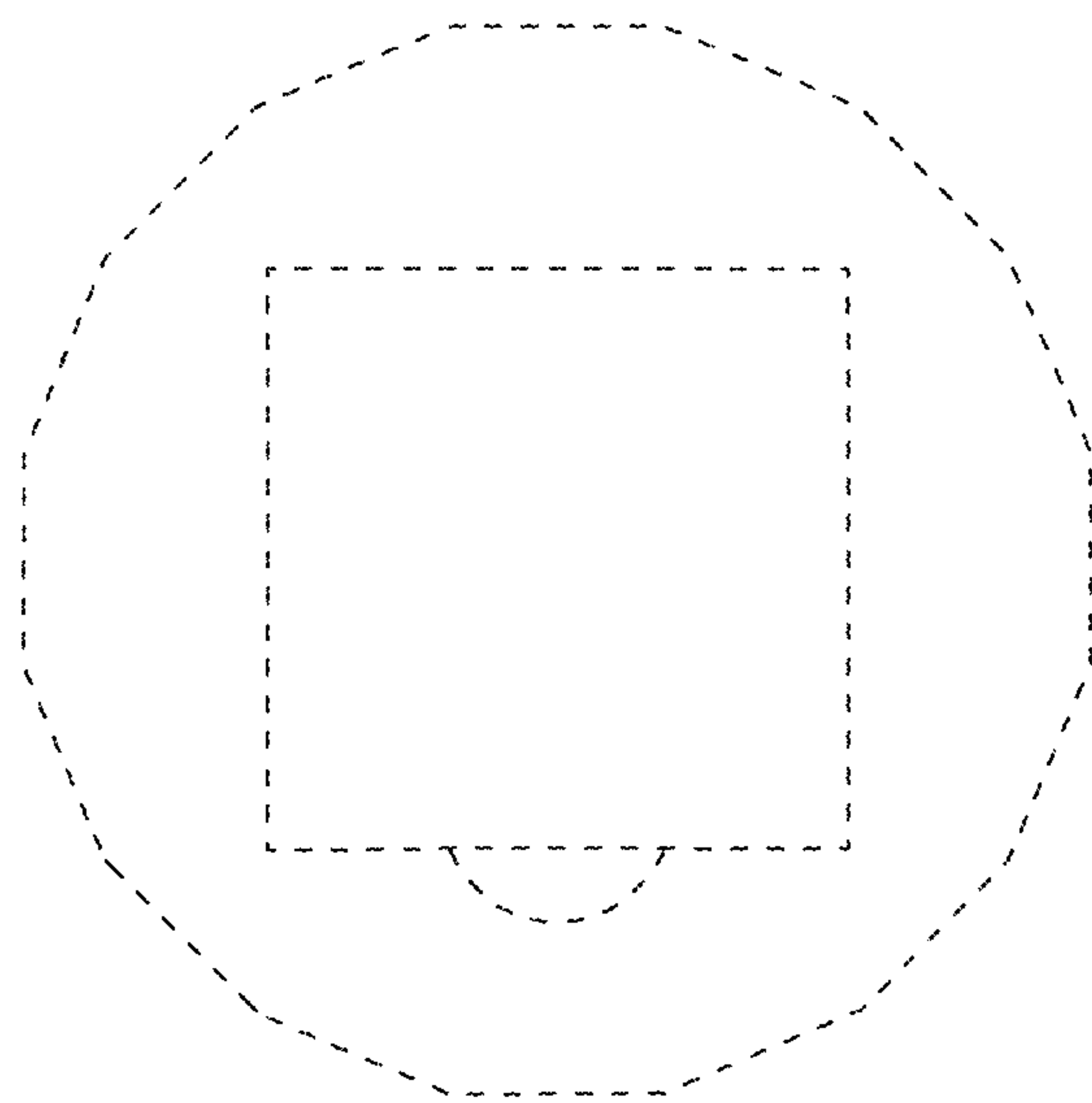


FIG.6

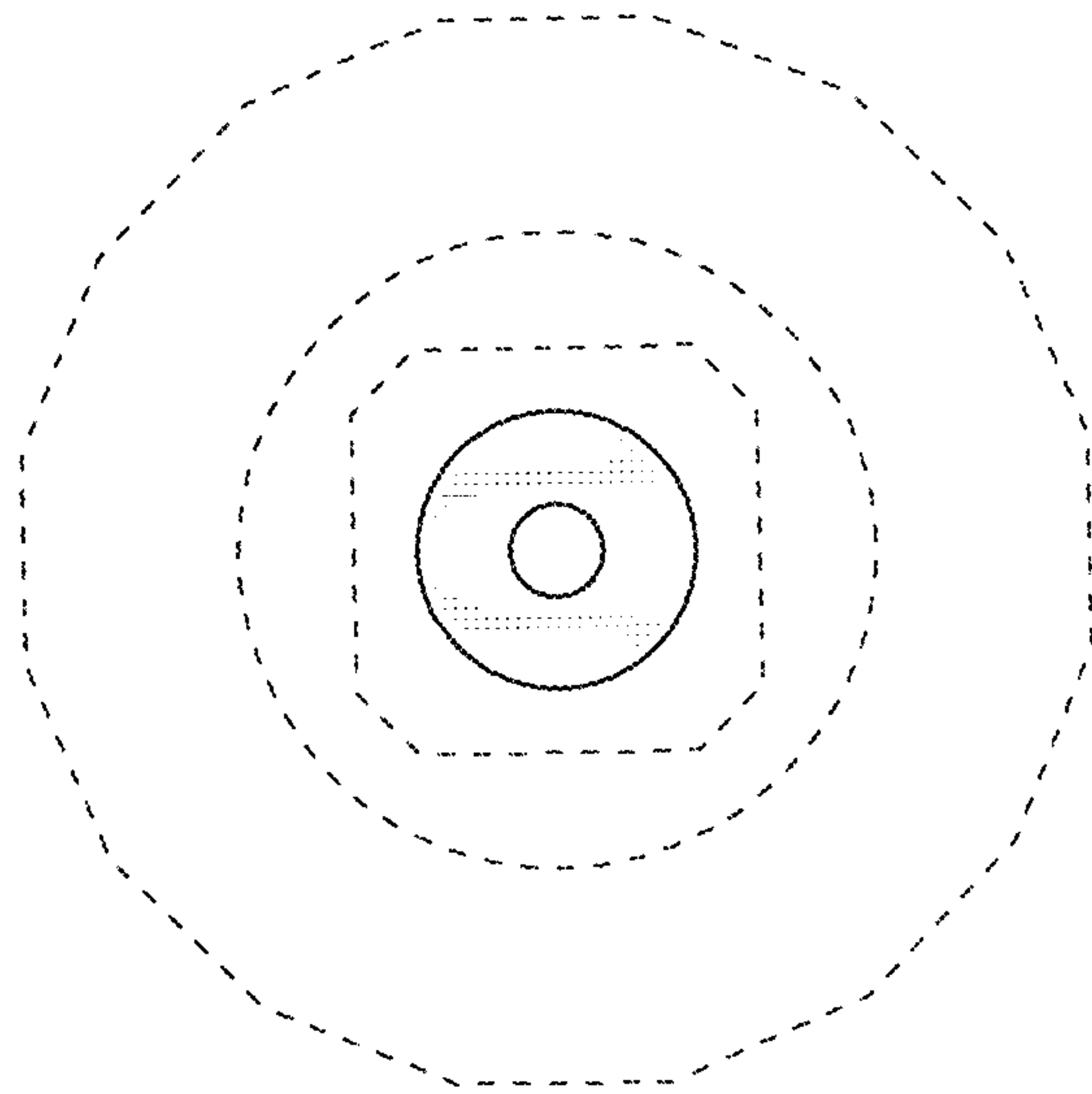


FIG. 7

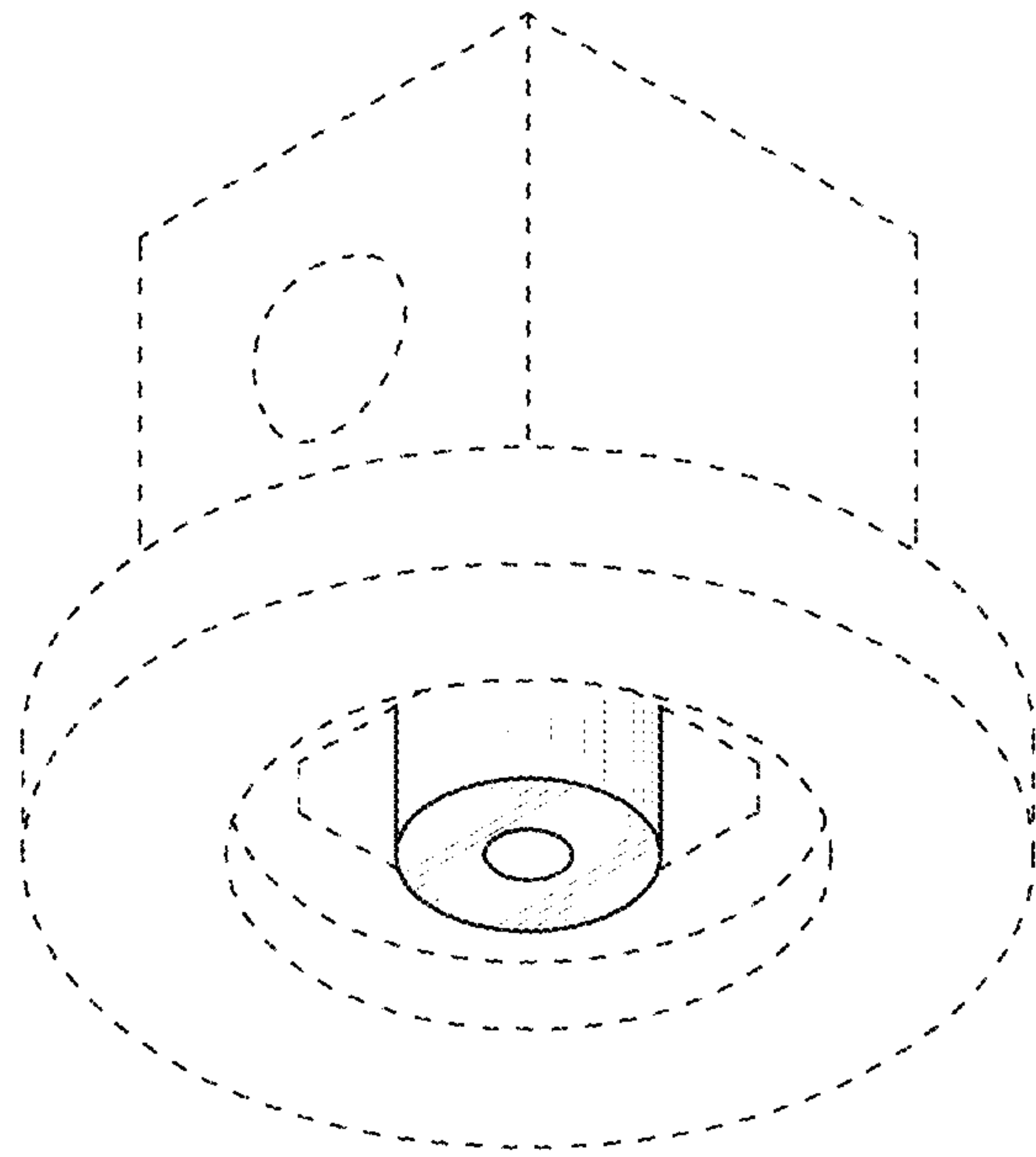


FIG. 8