



US00D863940S

(12) **United States Design Patent**  
**Ge**

(10) **Patent No.:** **US D863,940 S**

(45) **Date of Patent:** **\*\* Oct. 22, 2019**

(54) **HOSE REEL**

(71) Applicant: **INTRADIN (HUZHOU) PRECISION TECHNOLOGY CO., LTD.**, Huzhou, Zhejiang (CN)

(72) Inventor: **Guizhong Ge**, Zhejiang (CN)

(73) Assignee: **INTRADIN (HUZHOU) PRECISION TECHNOLOGY CO., LTD.**, Huzhou (CN)

(\*\*) Term: **15 Years**

(21) Appl. No.: **29/665,917**

(22) Filed: **Oct. 8, 2018**

(51) **LOC (12) Cl.** ..... **08-05**

(52) **U.S. Cl.**  
USPC ..... **D8/358**

(58) **Field of Classification Search**  
USPC ..... D8/358, 359, 356; D34/14, 24, 26;  
D22/140; D10/72; D13/155  
CPC ..... B65H 2701/33; B65H 75/4471; Y10T  
137/6954; Y10T 137/6899  
See application file for complete search history.

(56) **References Cited**

**U.S. PATENT DOCUMENTS**

D341,076 S \* 11/1993 Kolton ..... D13/154  
D352,232 S \* 11/1994 Apgar ..... D8/358  
D492,578 S \* 7/2004 Evans ..... D8/358

D505,612 S \* 5/2005 Evans ..... D8/358  
D511,294 S \* 11/2005 Kovacik ..... D8/358  
D518,361 S \* 4/2006 Jassenoff ..... D34/26  
D551,947 S \* 10/2007 Metzger ..... D8/358  
D551,948 S \* 10/2007 Metzger ..... D8/358  
D637,067 S \* 5/2011 Bauck ..... D8/358  
D794,429 S \* 8/2017 Wang ..... D8/359  
D813,017 S \* 3/2018 Wang ..... D8/359  
2004/0238675 A1 \* 12/2004 Banaszkiwicz .. B65H 75/4402  
242/377  
2017/0066622 A1 \* 3/2017 Ge ..... B65H 75/4486

\* cited by examiner

*Primary Examiner* — Eliza Z Bennett-Hattan

(74) *Attorney, Agent, or Firm* — Wayne & Ken, LLC;  
Tony Hom

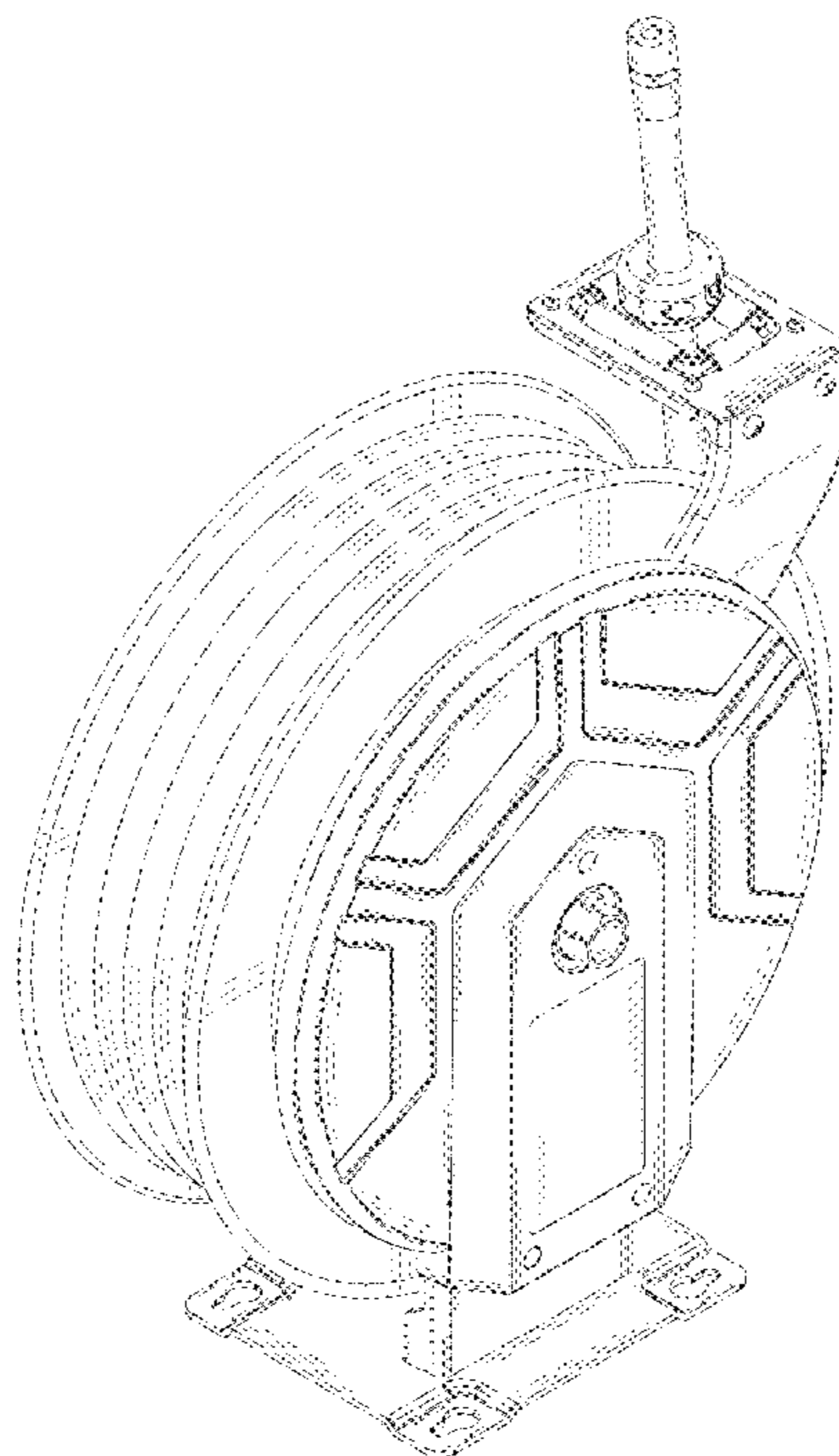
(57) **CLAIM**

The ornamental design for a hose reel, as shown and described.

**DESCRIPTION**

FIG. 1 is a perspective view of a hose reel showing my new design;  
FIG. 2 is another perspective view thereof;  
FIG. 3 is a front elevation view thereof;  
FIG. 4 is a back elevation view thereof;  
FIG. 5 is a left side view thereof;  
FIG. 6 is a right side view thereof;  
FIG. 7 is a top plan view thereof; and,  
FIG. 8 is a bottom plan view thereof.  
The broken lines in the drawings depict environmental subject matter only and form no part of the claimed design.

**1 Claim, 8 Drawing Sheets**



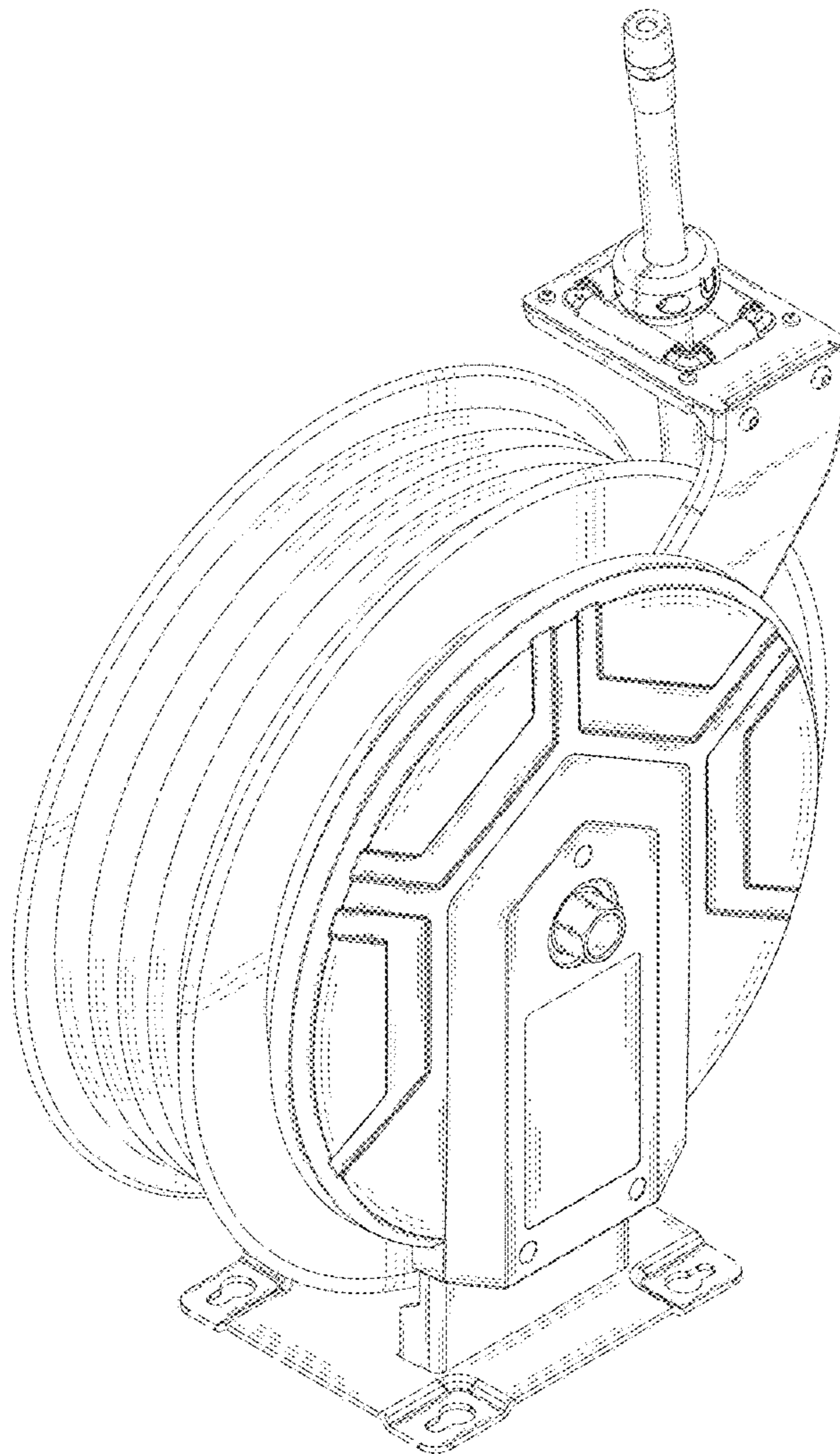


FIG. 1

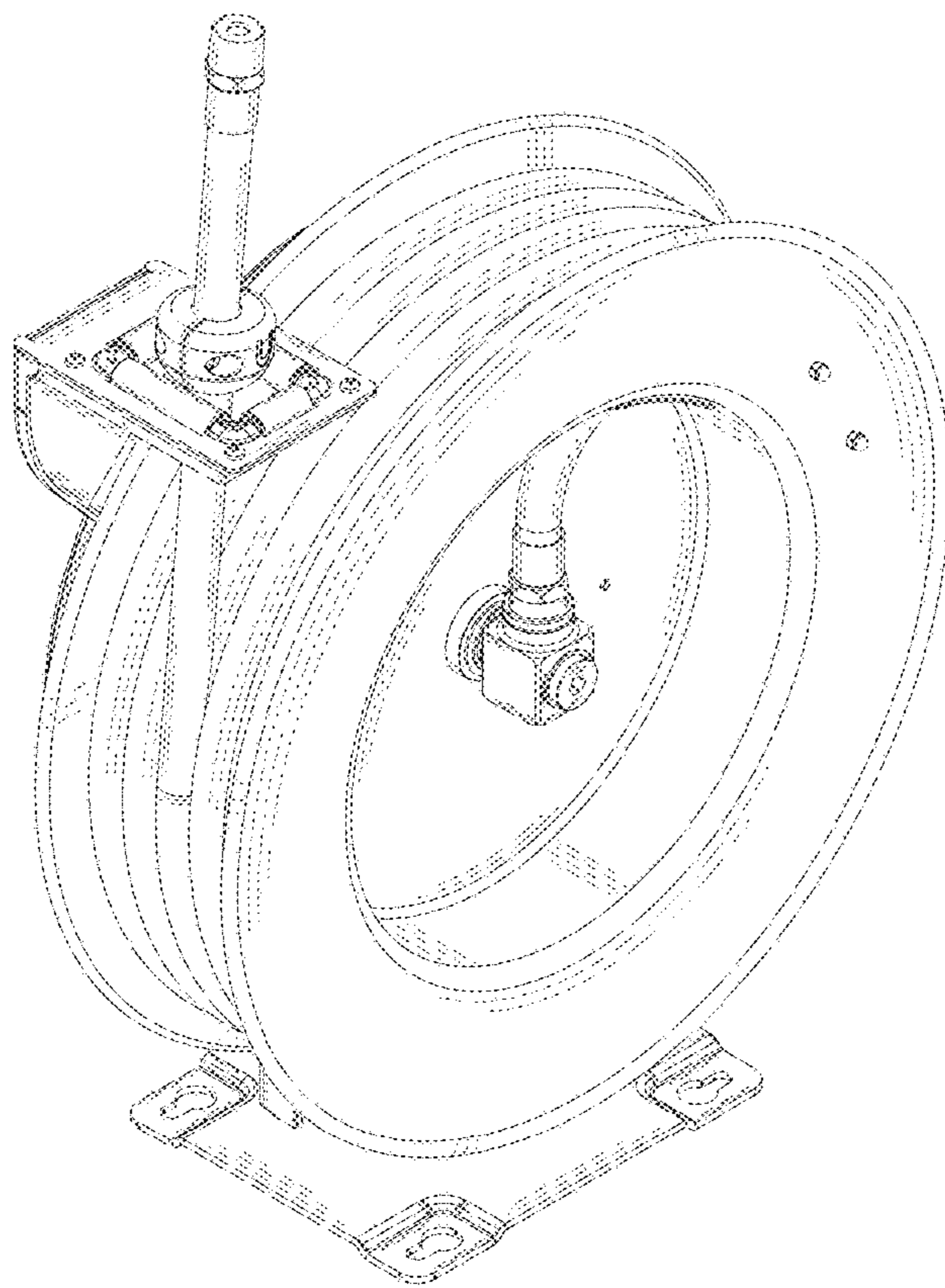


FIG. 2

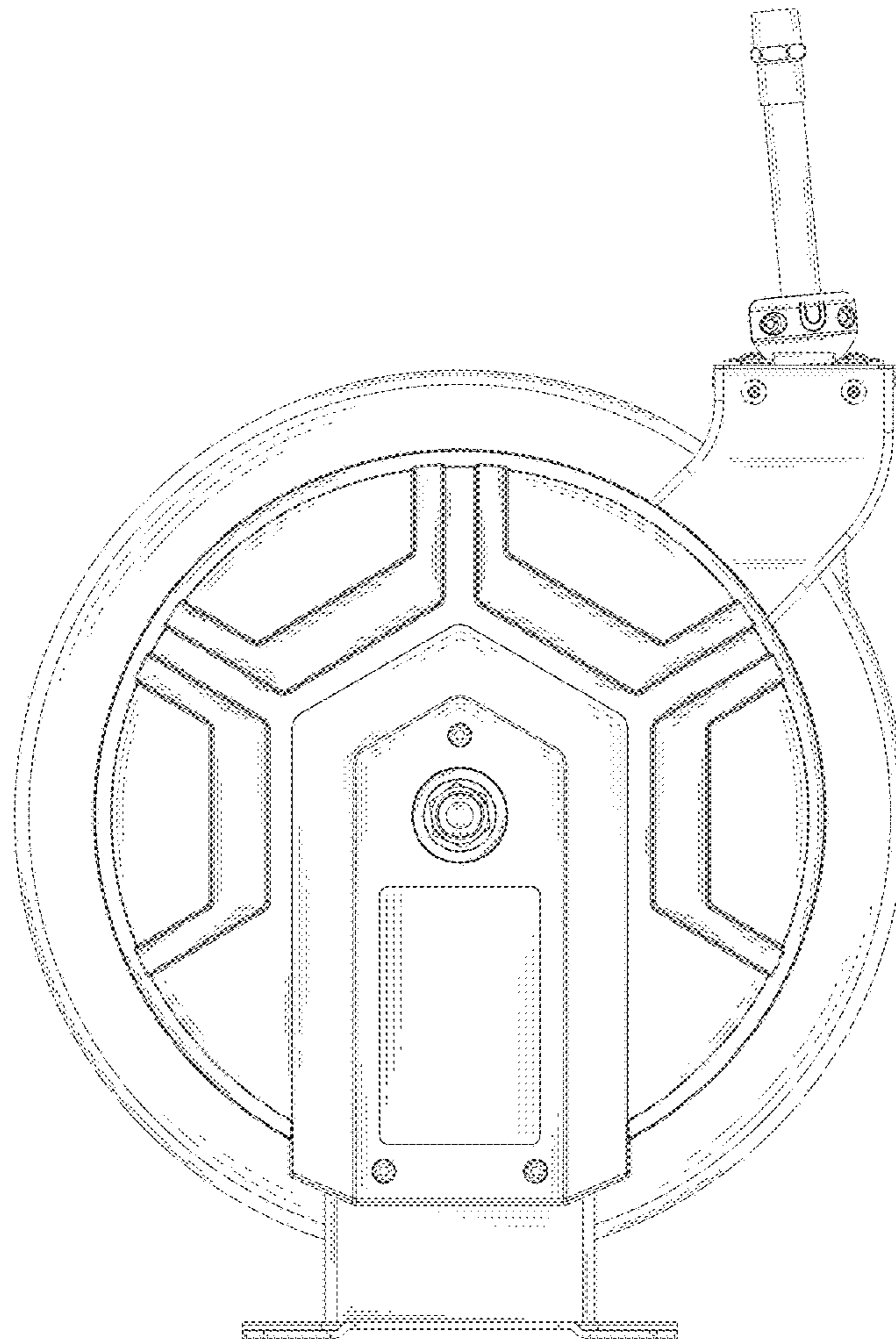


FIG. 3



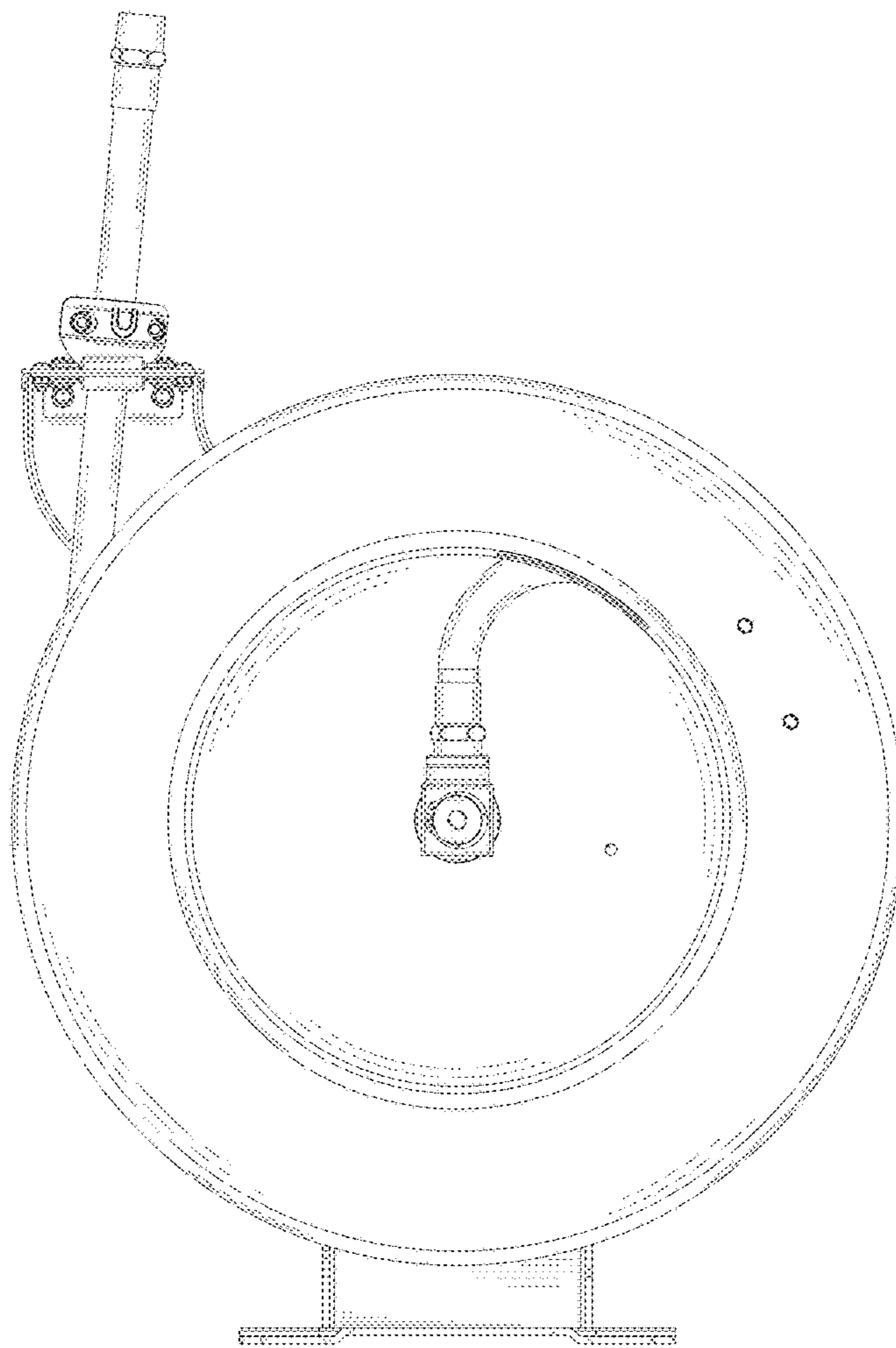


FIG. 4

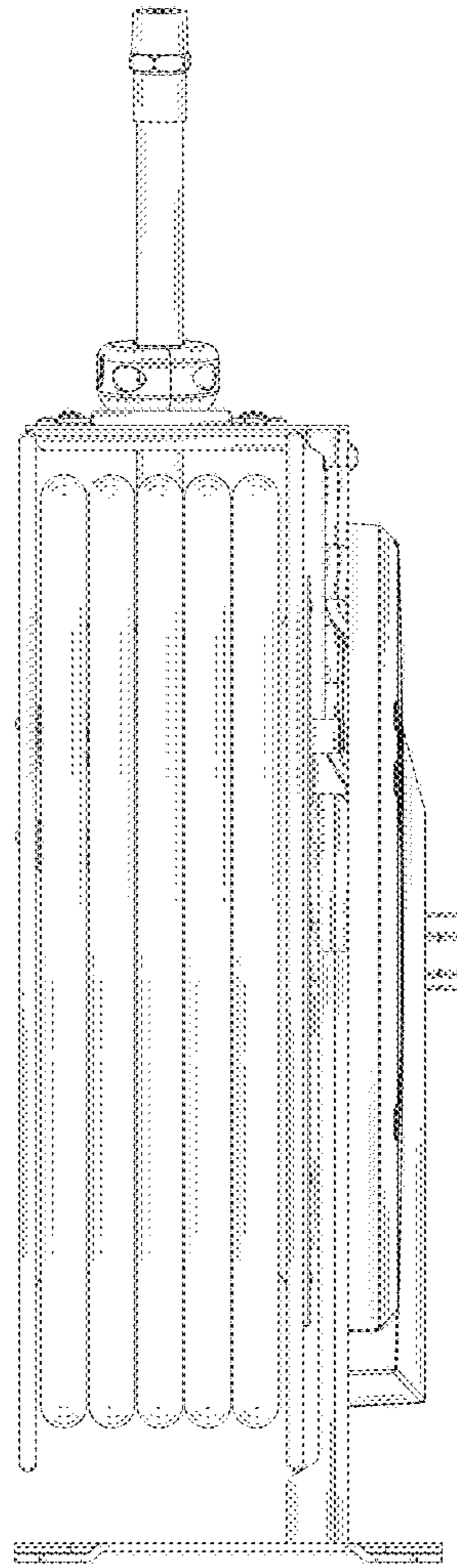


FIG. 5

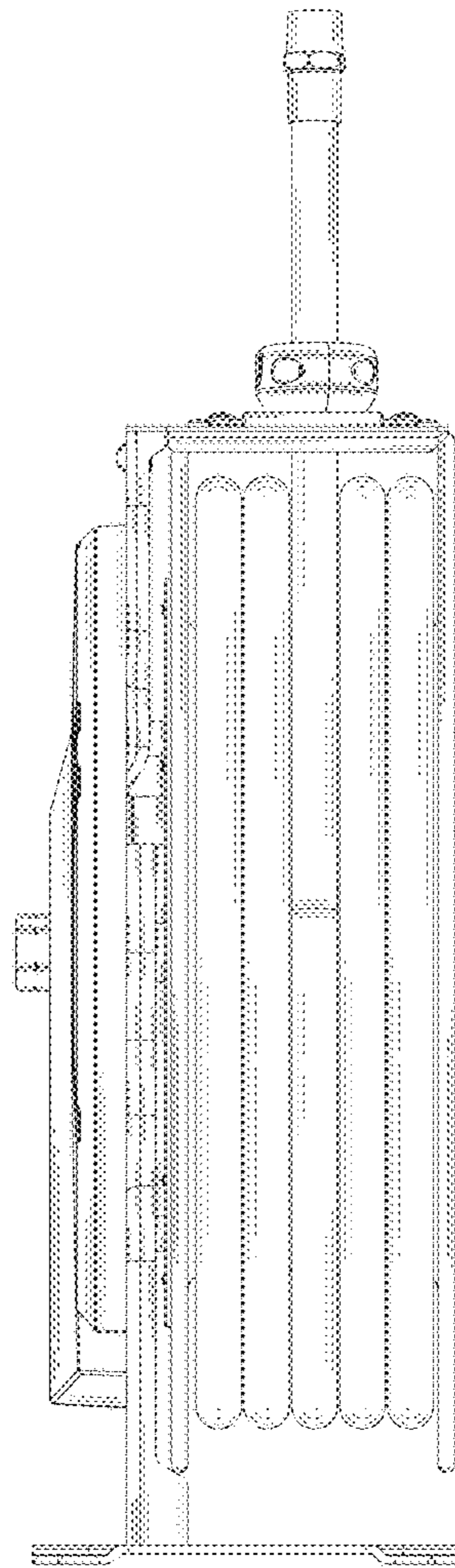


FIG. 6

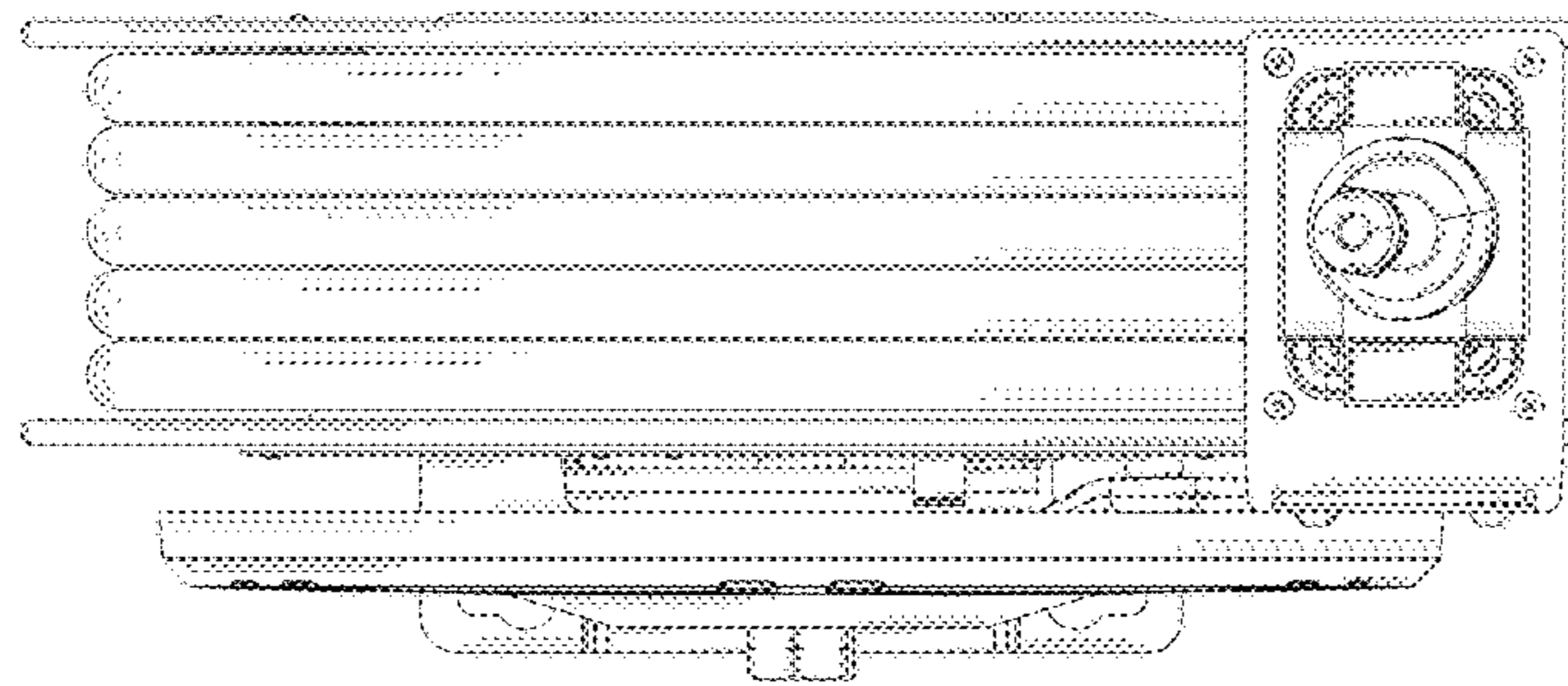


FIG. 7



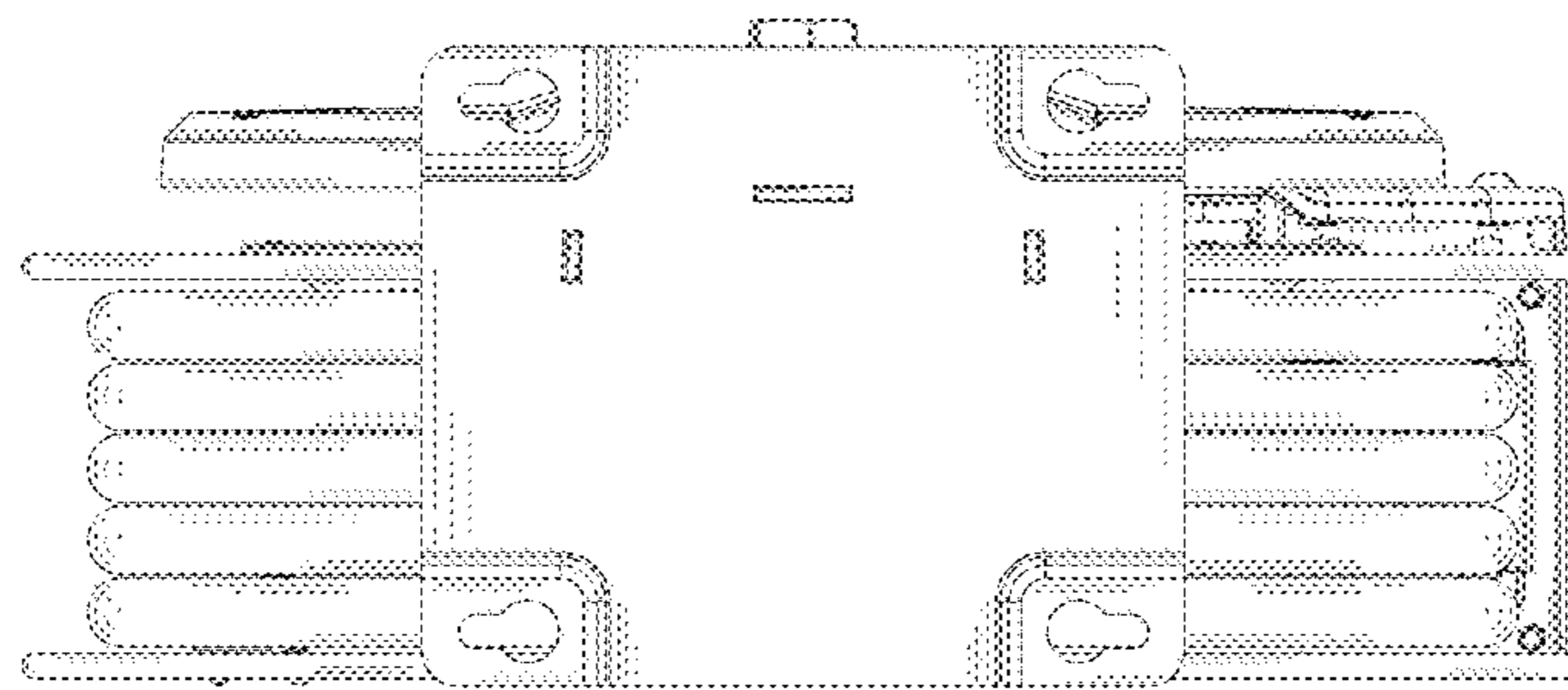


FIG. 8