

US00D863939S

(12) **United States Design Patent** (10) **Patent No.:** **US D863,939 S**
Foster, II et al. (45) **Date of Patent:** **** Oct. 22, 2019**

- (54) **CONTAINER FOR WIRE**
- (71) Applicant: **Illinois Tool Works Inc.**, Glenview, IL (US)
- (72) Inventors: **Donald Q. Foster, II**, Troy, OH (US); **Robert K. Dragoo**, St. Paris, OH (US)
- (73) Assignee: **Illinois Tool Works Inc.**, Glenview, IL (US)
- (**) Term: **15 Years**
- (21) Appl. No.: **29/681,549**
- (22) Filed: **Feb. 26, 2019**

- 4,591,110 A 5/1986 Wirts et al.
 - D286,370 S 10/1986 Wirts et al.
 - 4,914,792 A * 4/1990 Bradt A01K 91/04
24/128
 - D313,340 S * 1/1991 Stathis D8/356
 - 5,103,977 A * 4/1992 Douglas B65H 75/364
206/388
 - D395,950 S 7/1998 Friedman
 - 5,791,022 A * 8/1998 Bohman F16G 11/103
24/115 R
 - D428,796 S * 8/2000 van Ochten D8/349
 - D450,563 S 11/2001 Leonardi et al.
 - 7,121,829 B2 * 10/2006 Day A61C 8/0087
433/163
 - D569,349 S * 5/2008 Preston D13/156
- (Continued)

Related U.S. Application Data

- (63) Continuation of application No. 29/606,800, filed on Jun. 7, 2017, now Pat. No. Des. 841,443.
- (51) **LOC (12) Cl.** **09-06**
- (52) **U.S. Cl.**
USPC **D8/356**
- (58) **Field of Classification Search**
USPC D8/356, 354, 349, 360; D30/139;
D11/218; 24/129 R
CPC B65H 75/362
See application file for complete search history.

References Cited

U.S. PATENT DOCUMENTS

- 439,622 A 11/1890 Bastin
- 2,867,319 A 1/1959 Jones et al.
- 3,014,577 A 12/1961 Bruestle
- 3,066,372 A * 12/1962 Parker A01K 91/04
24/128
- 3,246,815 A * 4/1966 Aronson A61C 15/043
225/44
- D256,999 S 9/1980 Haagedoorn et al.
- D257,321 S * 10/1980 Voorhees, Jr. D8/356
- 4,451,014 A 5/1984 Kitt et al.

OTHER PUBLICATIONS

ELCo Enterprises, Inc., "Wire Wizard Welding Products", Catalog #10-316, Updated May 3, 2017, 56 pages.

Primary Examiner — Cynthia R Underwood
(74) *Attorney, Agent, or Firm* — McAndrews, Held & Malloy, Ltd.

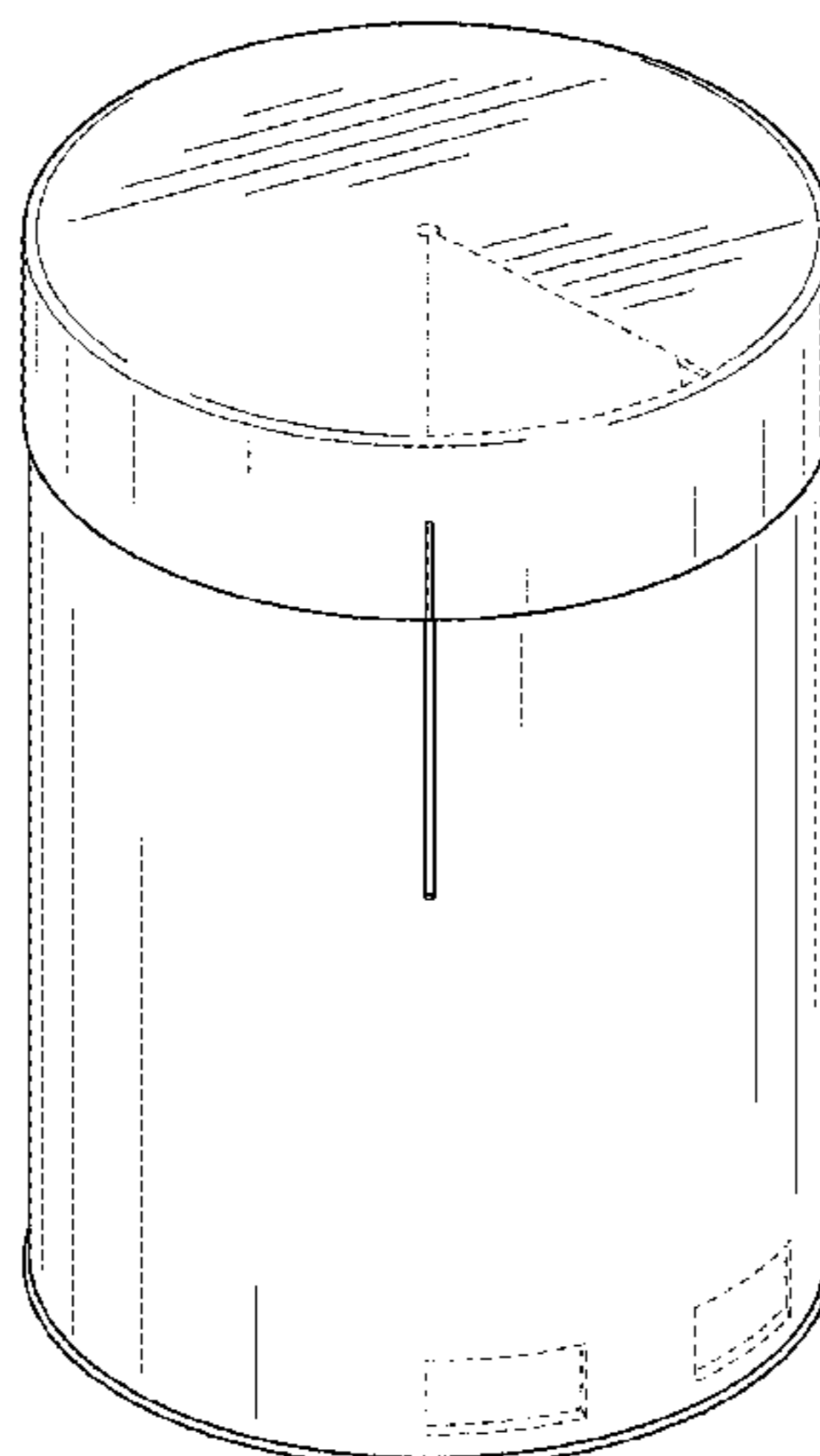
CLAIM

(57) The ornamental design for a container for wire, as shown and described.

DESCRIPTION

FIG. 1 is a top perspective view of a container for wire showing our new design;
FIG. 2 is a front elevation view thereof;
FIG. 3 is a rear elevation view thereof;
FIG. 4 is a right side elevation view thereof;
FIG. 5 is a left side elevation view thereof;
FIG. 6 is a top plan view thereof; and,
FIG. 7 is a bottom plan view thereof.
The broken lines in the figures illustrate portions of the container that form no part of the claimed design.

1 Claim, 4 Drawing Sheets



(56)

References Cited

U.S. PATENT DOCUMENTS

D631,730 S * 2/2011 Skillman B65H 75/143
D8/356
D650,656 S * 12/2011 Hsu D8/356
D682,909 S * 5/2013 Kim 24/115 R
D695,524 S 12/2013 Manderino
D698,228 S 1/2014 Chance et al.
D707,106 S * 6/2014 Crouse D8/356
D707,107 S * 6/2014 Crouse D8/356
8,936,210 B2 1/2015 Ma et al.
D727,854 S 4/2015 Chance et al.
D731,555 S * 6/2015 Lee D15/5
D735,020 S * 7/2015 Bradford D8/356
D736,833 S * 8/2015 Lee D15/5
D752,339 S * 3/2016 Hoover D3/23
D758,836 S * 6/2016 Symons D8/383
D803,666 S 11/2017 Morley
D813,015 S * 3/2018 O'Brien D8/356
D814,273 S * 4/2018 Karpanty D8/356
D826,055 S 8/2018 Augustyniak et al.
D831,468 S * 10/2018 Morley D8/356
10,118,755 B2 * 11/2018 Adams B65D 85/67
2004/0155090 A1 * 8/2004 B.-Jensen B23K 9/1333
228/41
2005/0145534 A1 * 7/2005 Steeber H01R 13/443
206/702

* cited by examiner

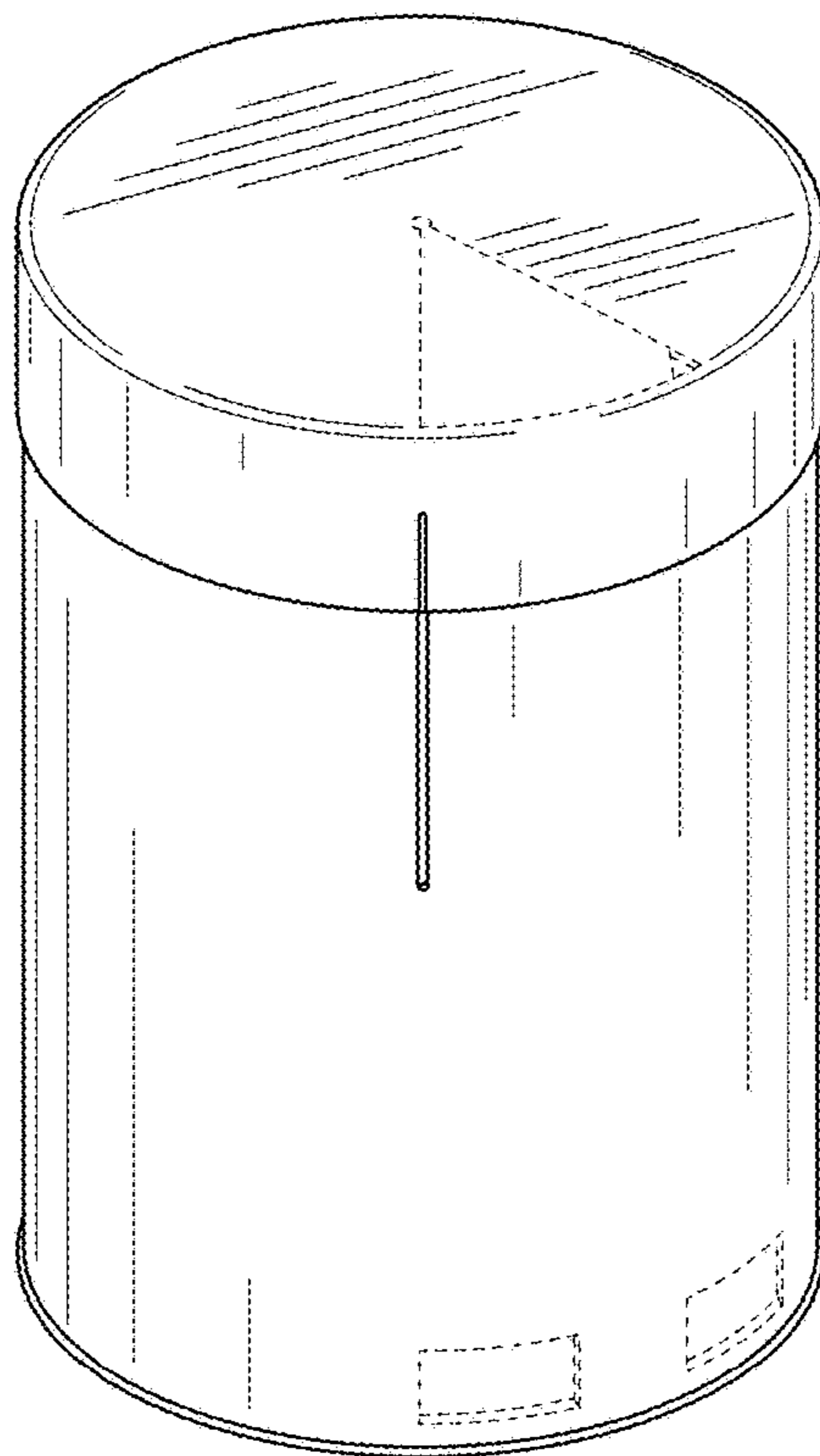


FIG. 1

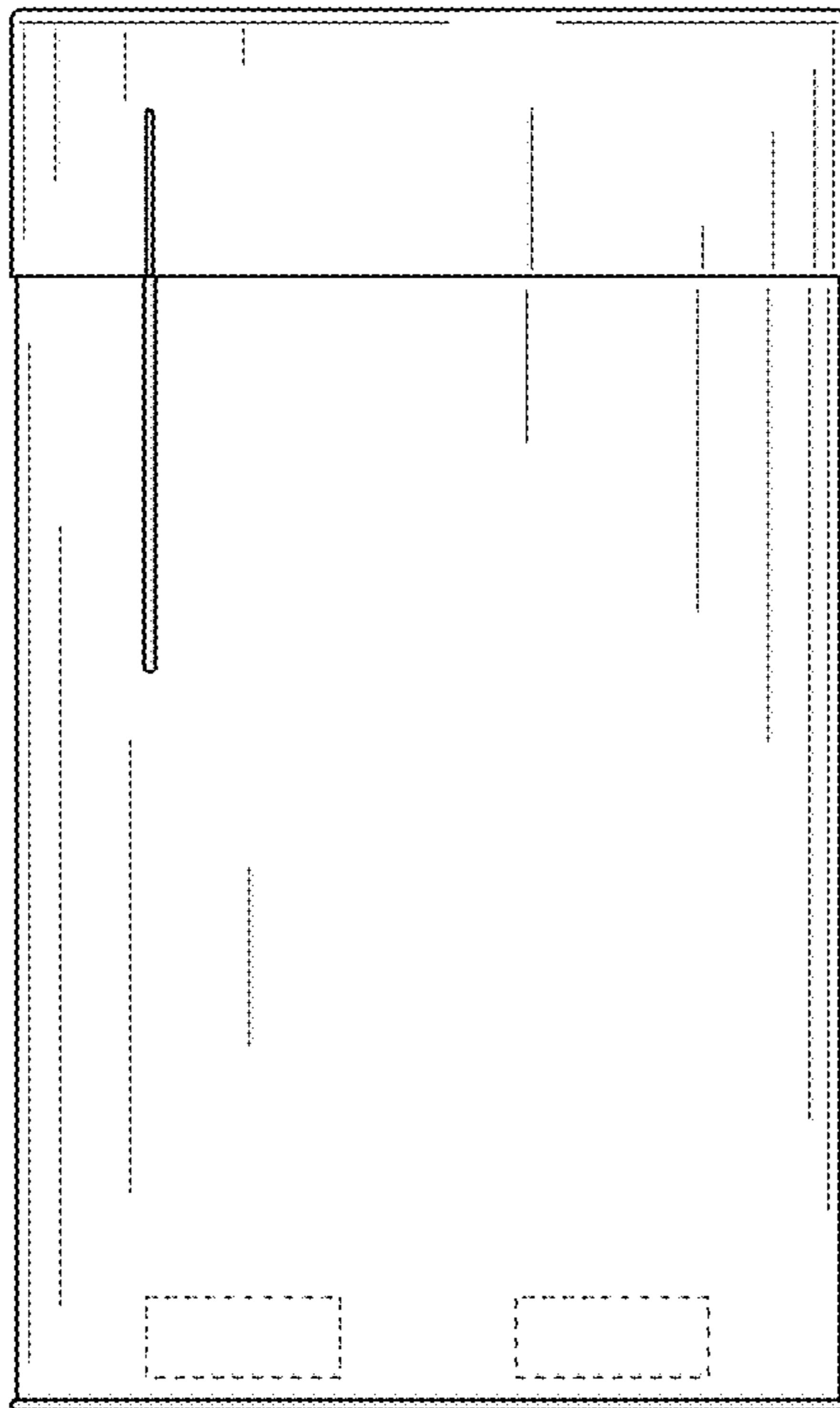


FIG. 2

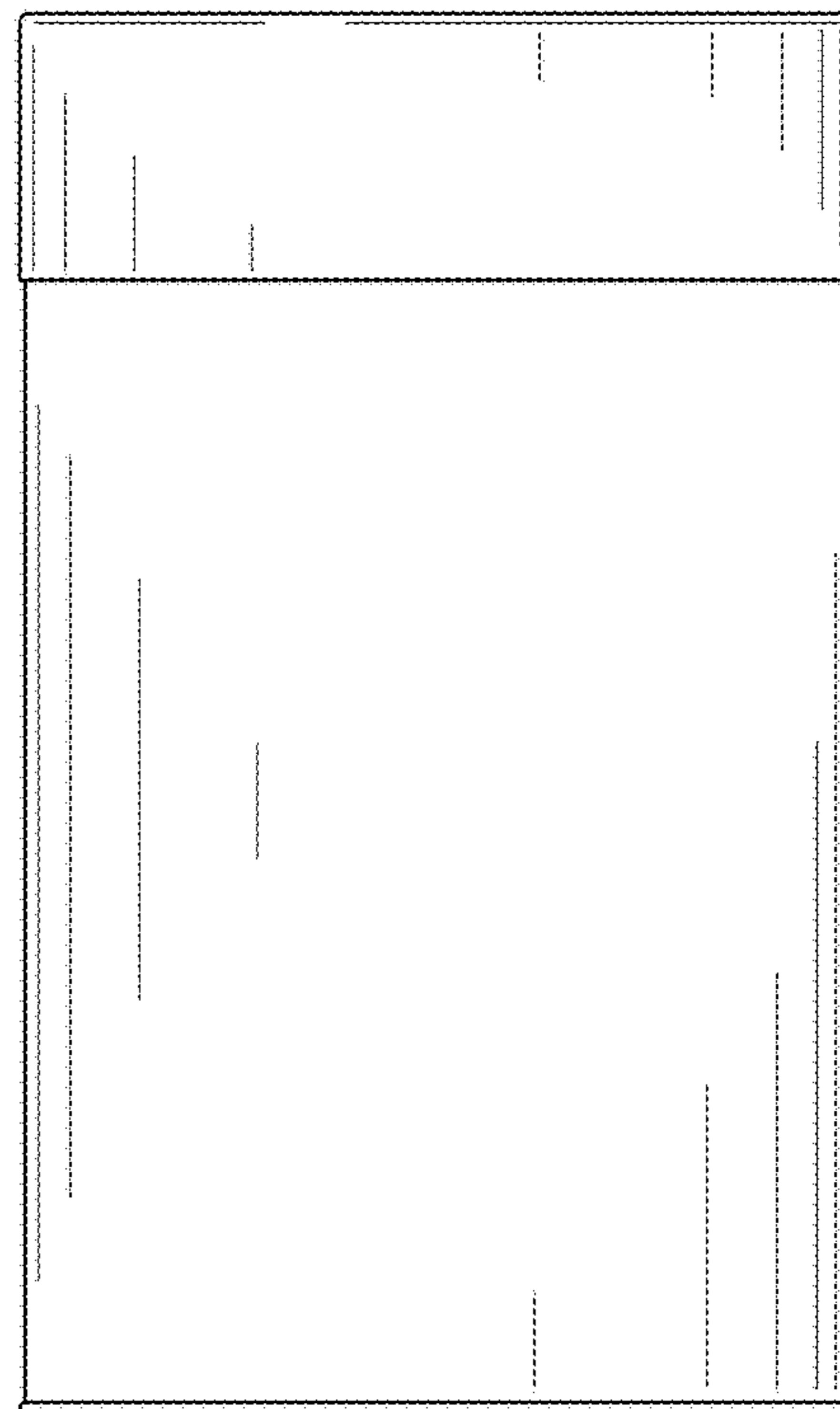


FIG. 3

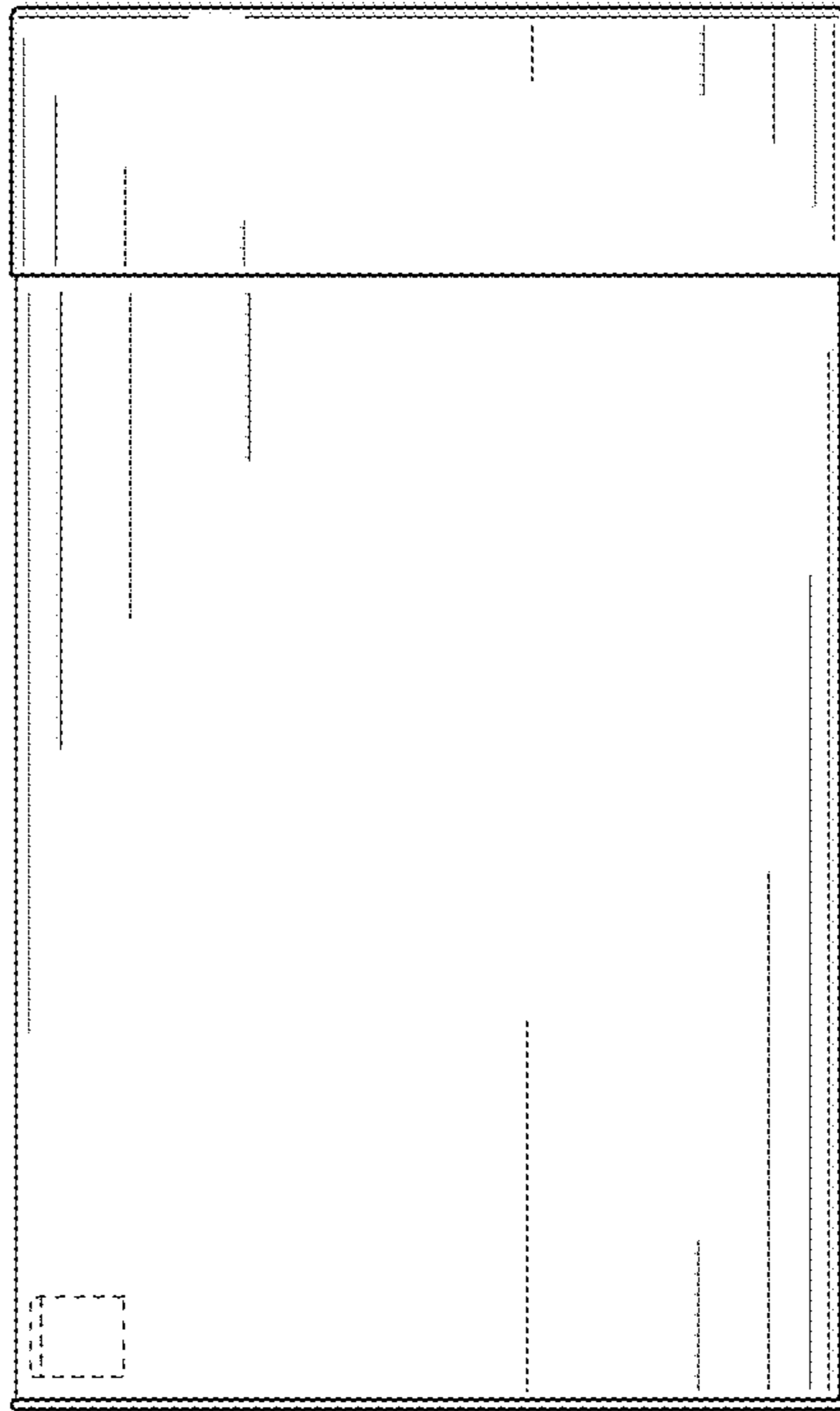


FIG. 4

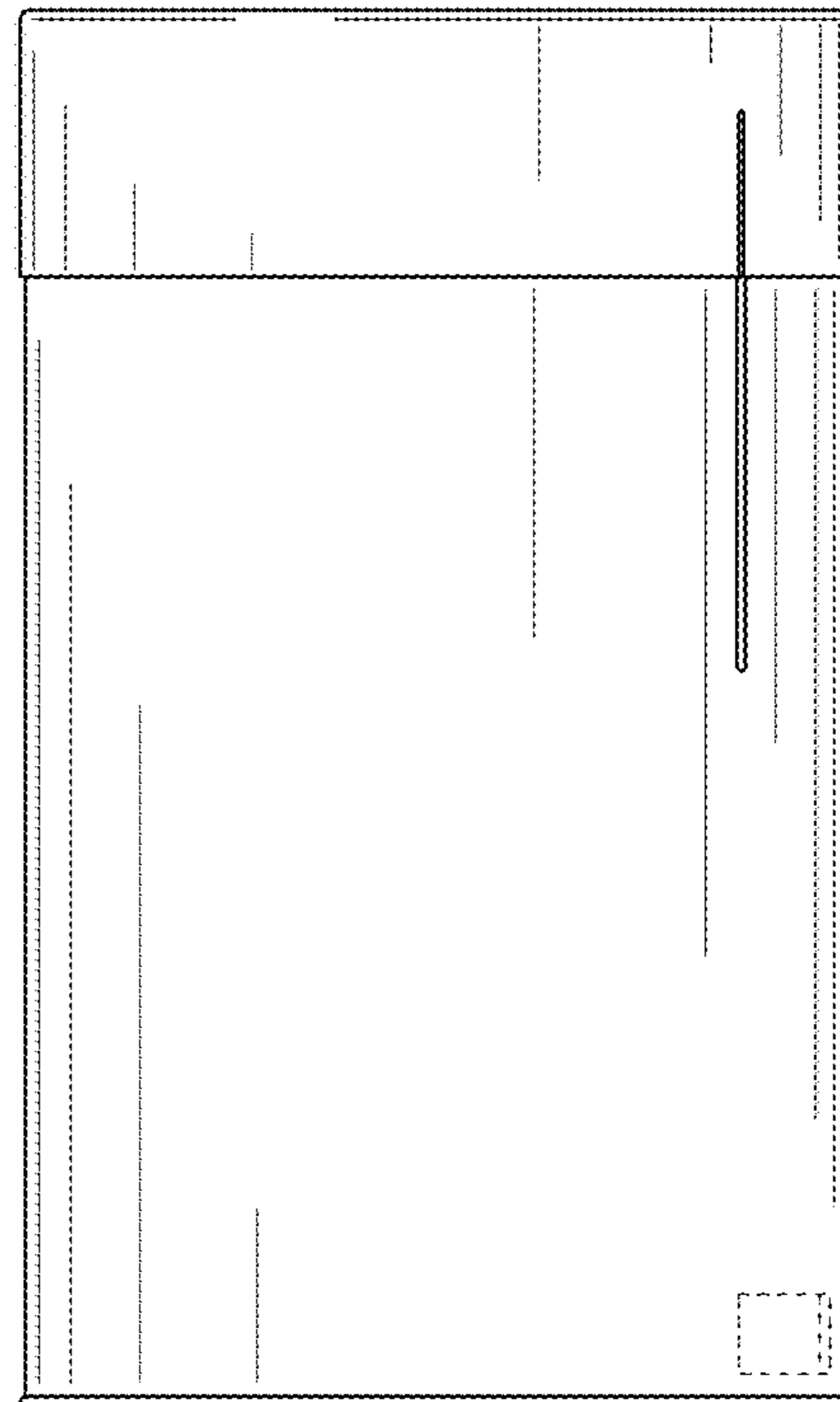


FIG. 5

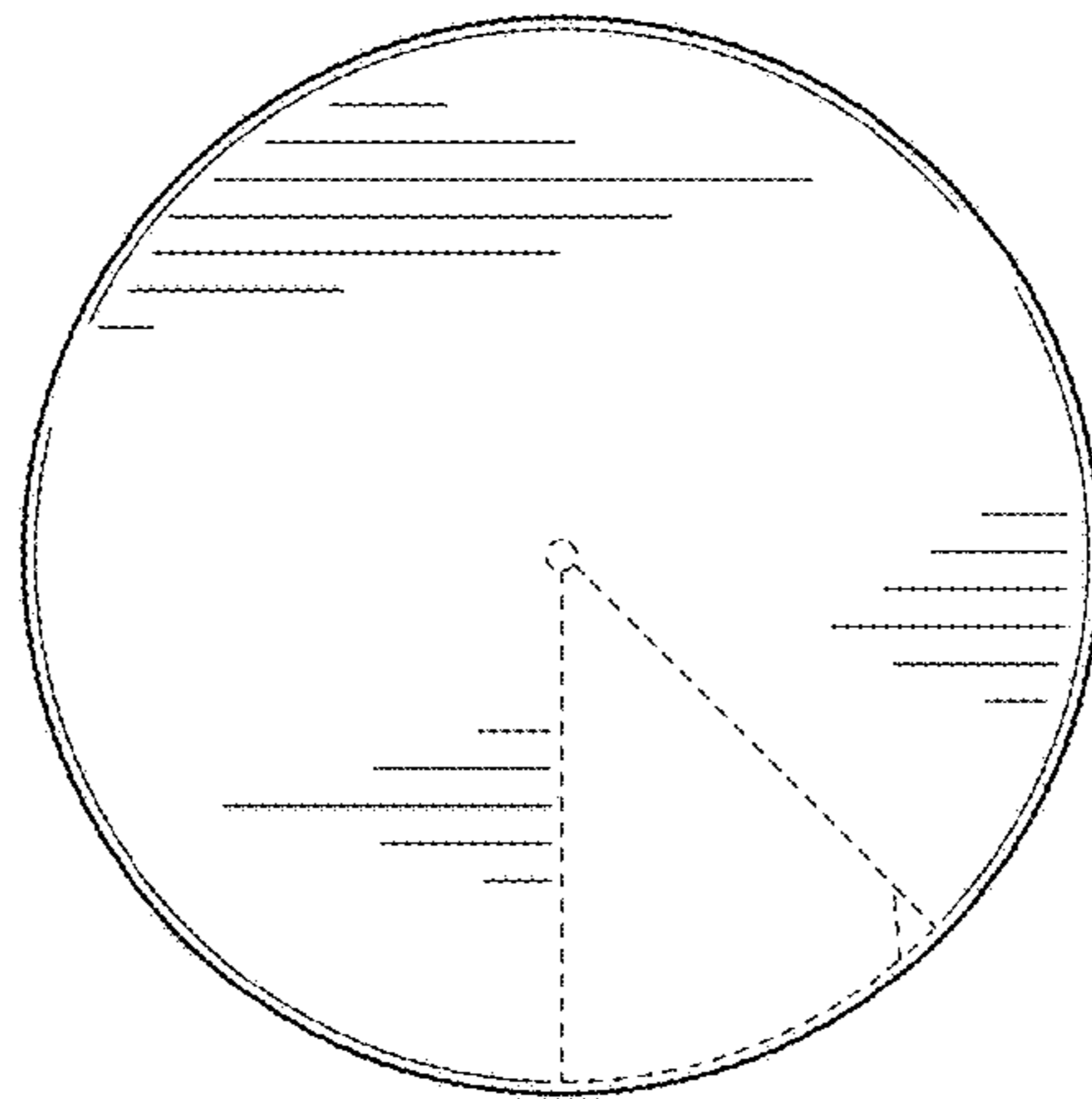


FIG. 6

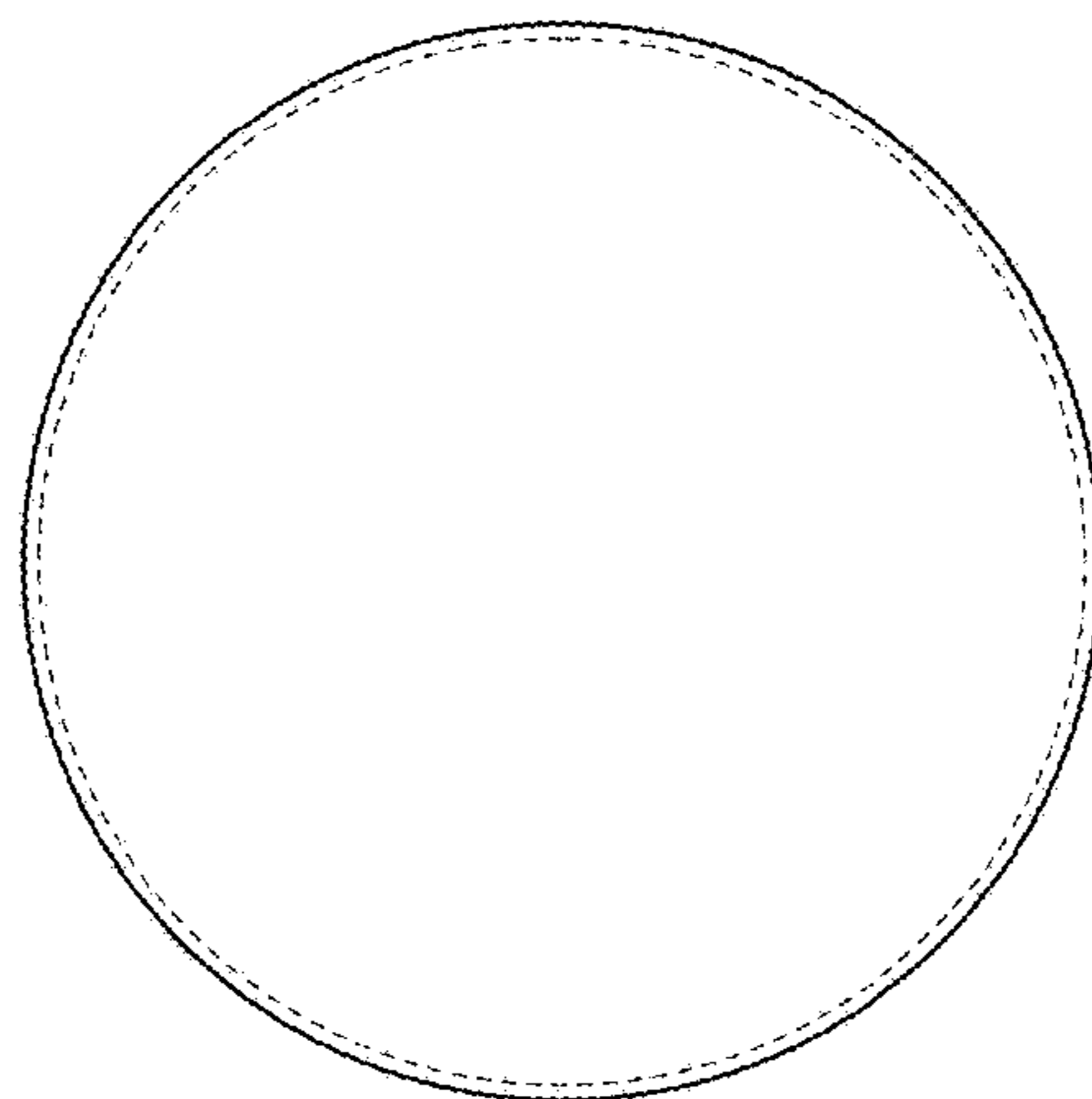


FIG. 7