



US00D863937S

(12) **United States Design Patent**
Yoshii

(10) **Patent No.:** **US D863,937 S**

(45) **Date of Patent:** **** Oct. 22, 2019**

(54) **WIRING TOOL FOR FURNITURE**

(71) Applicant: **SUGATSUNE KOGYO CO., LTD.**,
Chiyoda-ku, Tokyo (JP)

(72) Inventor: **Motoki Yoshii**, Chiyoda-ku (JP)

(73) Assignee: **SUGATSUNE KOGYO CO., LTD.**,
Tokyo (JP)

(**) Term: **15 Years**

(21) Appl. No.: **29/616,524**

(22) Filed: **Sep. 6, 2017**

(30) **Foreign Application Priority Data**

Mar. 6, 2017 (JP) 2017-004577

(51) **LOC (12) Cl.** **09-06**

(52) **U.S. Cl.**
USPC **D8/356**

(58) **Field of Classification Search**

USPC D8/367, 354, 349; 248/71, 73, 72, 216.4,
248/63, 74.5

CPC F16M 13/00

See application file for complete search history.

(56) **References Cited**

U.S. PATENT DOCUMENTS

4,050,205	A *	9/1977	Ligda	E04G 21/30 174/507
4,924,646	A *	5/1990	Marquardt	H02G 3/22 174/505
D309,561	S *	7/1990	Collins	D8/356
5,216,203	A *	6/1993	Gower	H02G 3/088 174/152 G
5,592,720	A *	1/1997	Sasakawa	F16B 21/088 24/293
D437,282	S *	2/2001	Jöll	D12/223
D487,867	S *	3/2004	Balaban	D8/354
D513,167	S *	12/2005	Groff	D8/354
D609,552	S *	2/2010	Anderson	D8/349

(Continued)

Primary Examiner — Cynthia R Underwood

(74) *Attorney, Agent, or Firm* — Masuvalley & Partners

(57) **CLAIM**

The ornamental design for a wiring tool for furniture, as shown and described.

DESCRIPTION

FIG. 1 is a perspective view of the wiring tool for furniture according to the invention.

FIG. 2 is a front view of the wiring tool for furniture of FIG. 1.

FIG. 3 is a rear view of the wiring tool for furniture of FIG. 1.

FIG. 4 is a plan view of a main body of the wiring tool for furniture of FIG. 1.

FIG. 5 is a right side view of the wiring tool for furniture of FIG. 1.

FIG. 6 is a left side view of the wiring tool for furniture of FIG. 1.

FIG. 7 is a perspective view of the main body shown separated from the cap of FIG. 1;

FIG. 8 is a front view of FIG. 7.

FIG. 9 is a rear view of FIG. 7.

FIG. 10 is a plan view of FIG. 7.

FIG. 11 is a right side view of FIG. 7.

FIG. 12 is a perspective view of the cap shown separated from the main body of FIG. 1.

FIG. 13 is a front view of FIG. 12.

FIG. 14 is a rear view of FIG. 12.

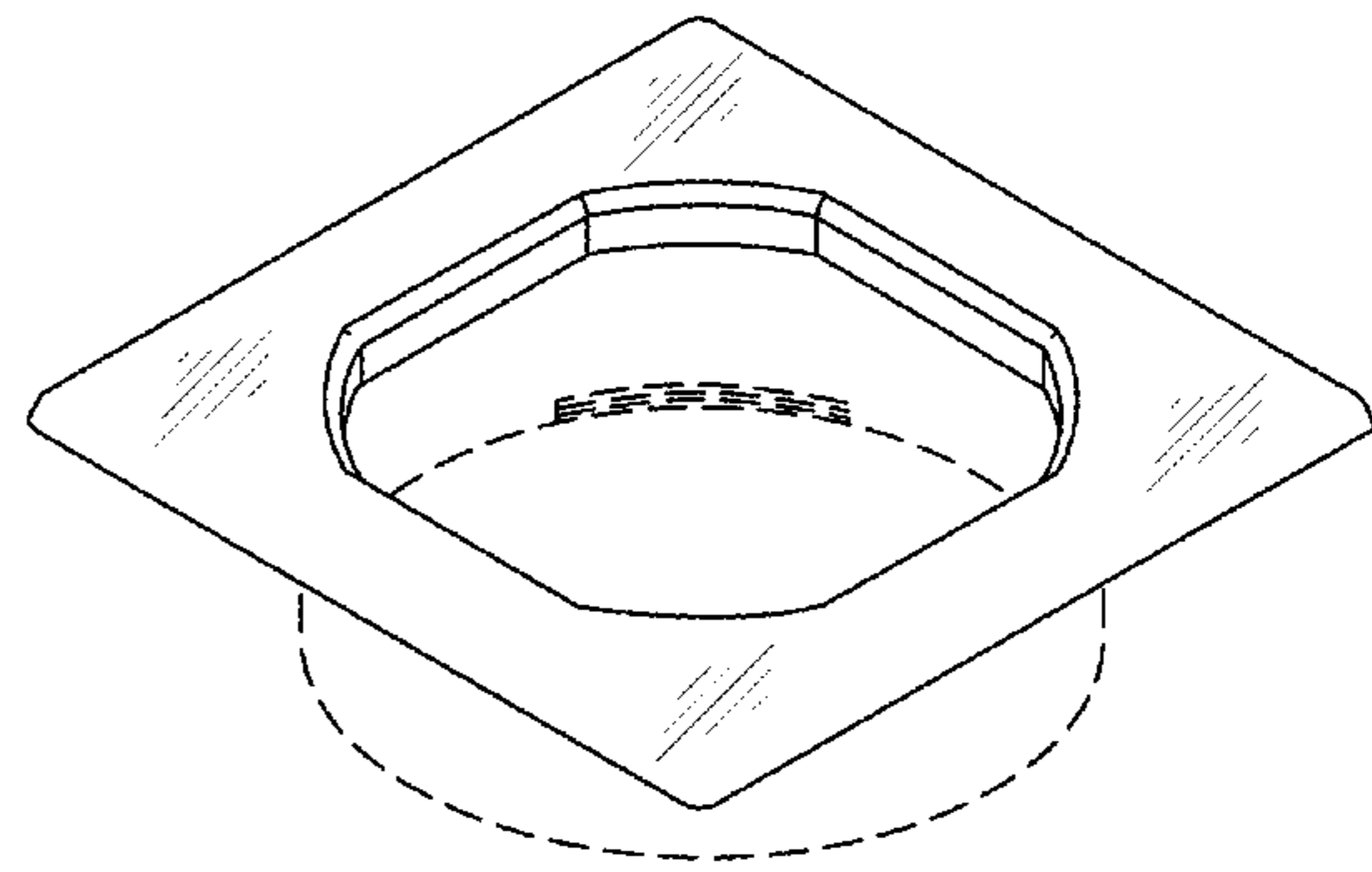
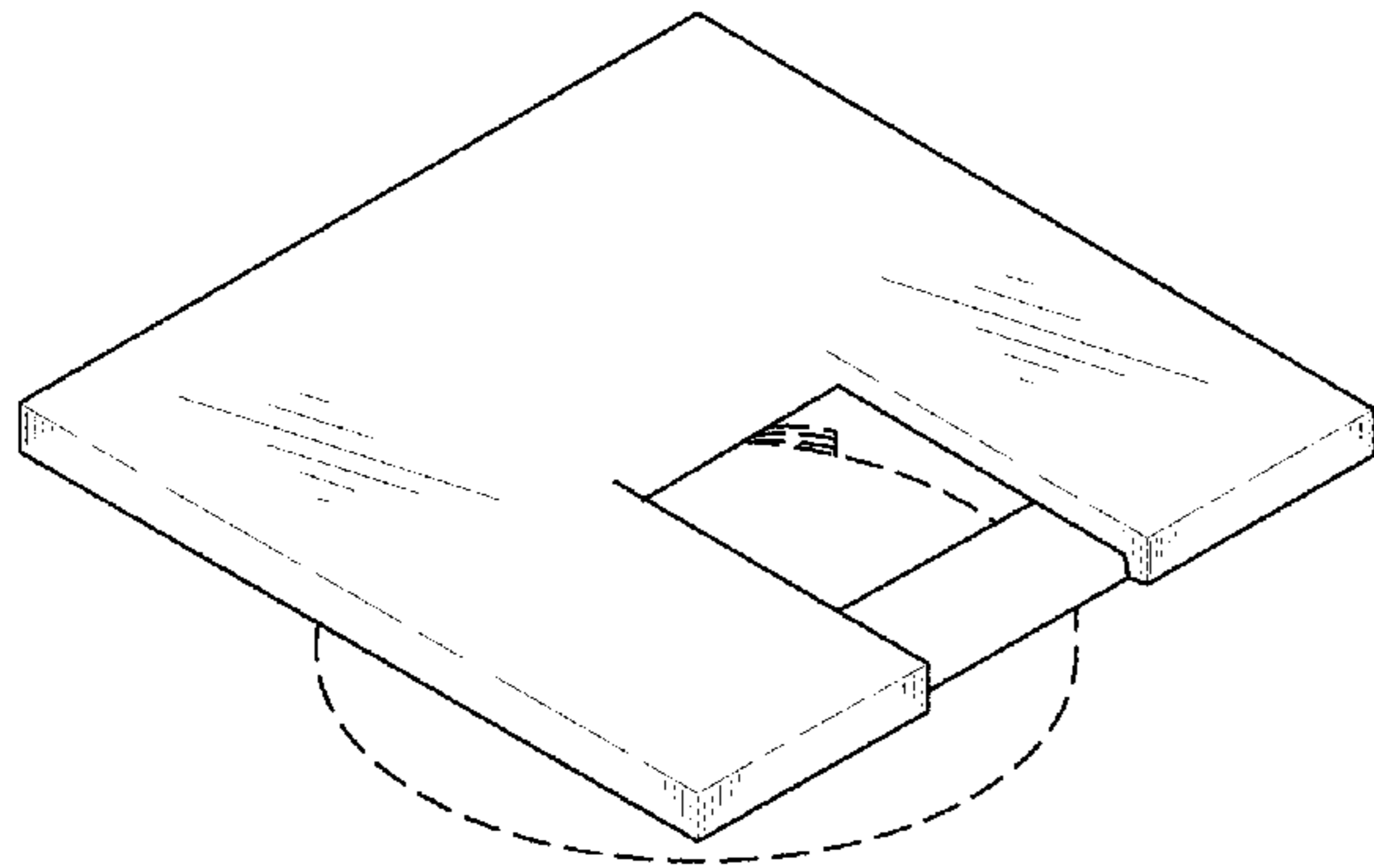
FIG. 15 is a plan view of FIG. 12.

FIG. 16 is a right side view of FIG. 12; and,

FIG. 17 is a left side view of FIG. 12.

The uniformly broken line showing of the wiring tool for furniture is for the purpose of illustrating portions of the wiring tool for furniture and forms no part of the claimed design.

1 Claim, 17 Drawing Sheets



(56)

References Cited

U.S. PATENT DOCUMENTS

8,052,098 B1 * 11/2011 Kowaleski E04D 15/00
248/237
D674,269 S * 1/2013 Siepel D8/354
D675,146 S * 1/2013 Bellabono D12/223
D679,169 S * 4/2013 Else D8/349
D679,170 S * 4/2013 Else D8/349
8,474,780 B2 * 7/2013 Parduhn H02G 3/0493
248/519
D702,104 S * 4/2014 Butler D8/349
8,720,832 B2 * 5/2014 Negel B60R 16/0215
248/71
D713,867 S * 9/2014 Yamada D15/143
8,870,131 B2 * 10/2014 Gotou F16B 21/086
174/480
D741,146 S * 10/2015 Delrue D14/447
D757,521 S * 5/2016 Rosner D8/354
D761,236 S * 7/2016 Wengreen D14/238.1
D763,661 S * 8/2016 Ezell D8/349
D768,466 S * 10/2016 Simmons D8/354
D803,030 S * 11/2017 Wengreen H05K 5/0204
D8/354
D814,267 S * 4/2018 Verbowski D8/354
D834,029 S * 11/2018 Wengreen D14/447
D835,979 S * 12/2018 Lin D8/399
D838,161 S * 1/2019 Conklin D8/354
D841,432 S * 2/2019 Nikayin D8/354
D841,434 S * 2/2019 Vrame D8/354
D844,413 S * 4/2019 Thaler D8/349
D849,507 S * 5/2019 DeDios-Shirley D8/349
D850,890 S * 6/2019 Cole D8/354
2015/0305502 A1 * 10/2015 Wengreen A47B 97/00
248/205.3
2019/0174636 A1 * 6/2019 Sgroi, Jr. H05K 3/284

* cited by examiner

FIG. 1

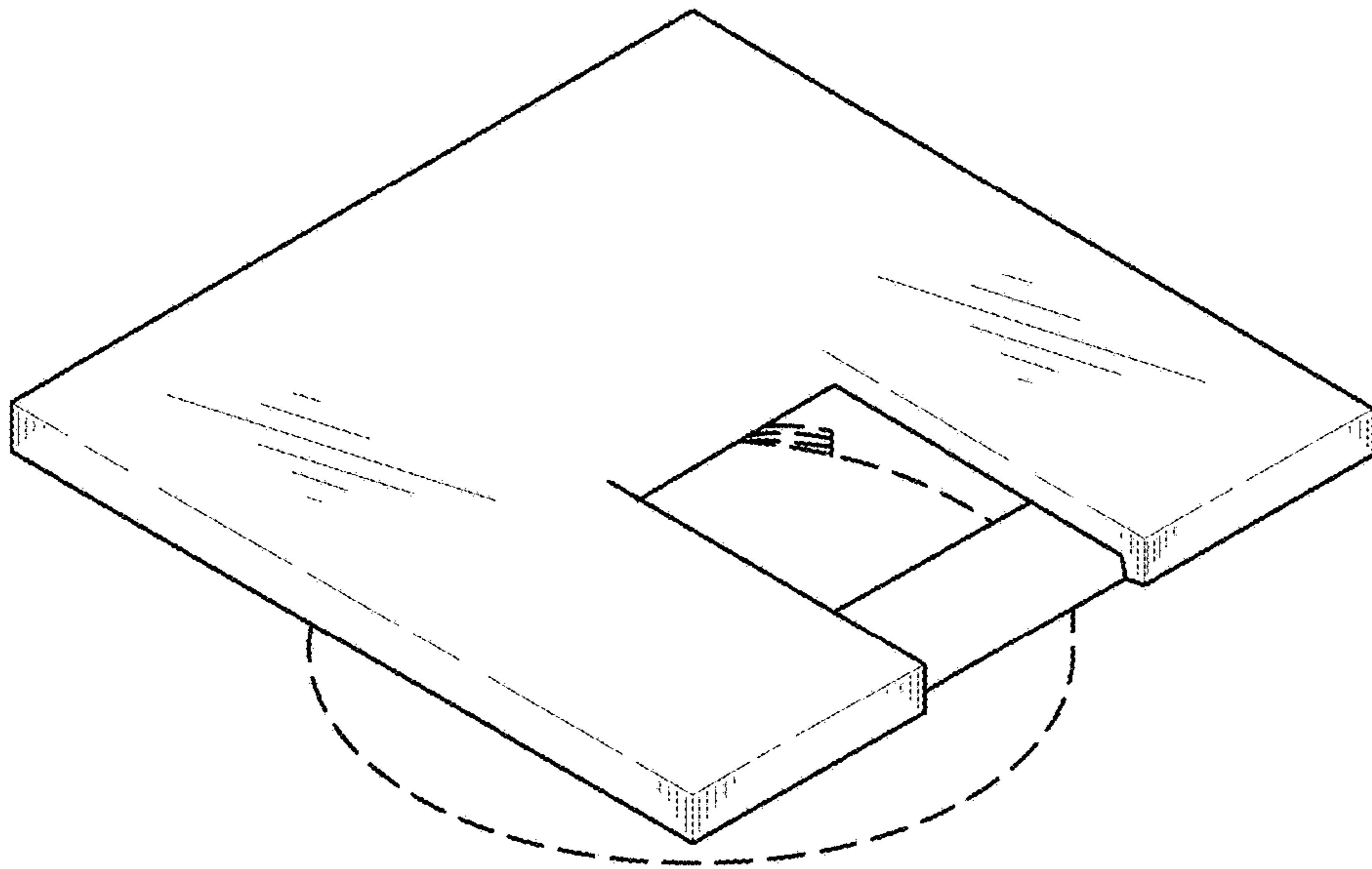


FIG. 2

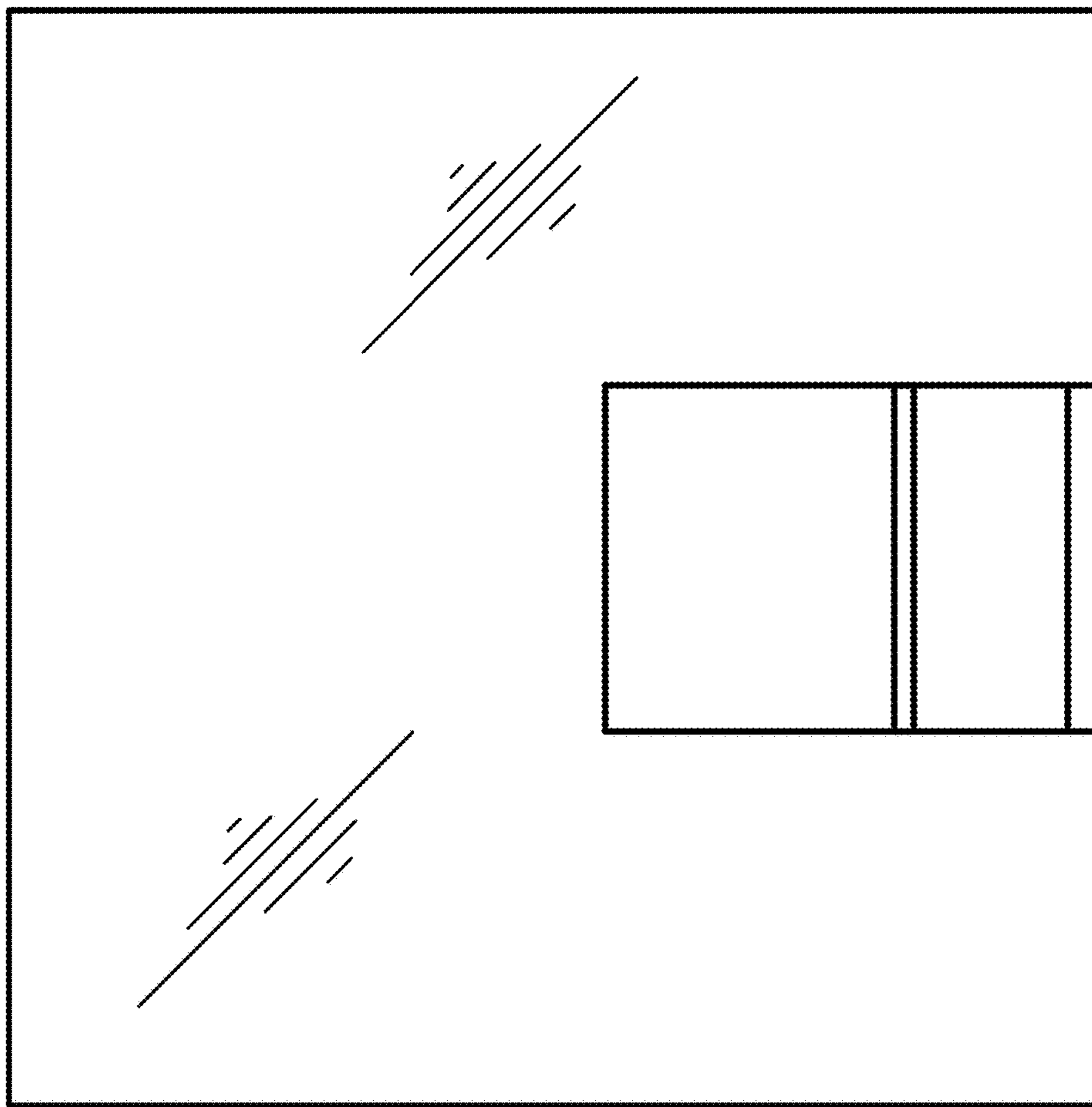


FIG. 3

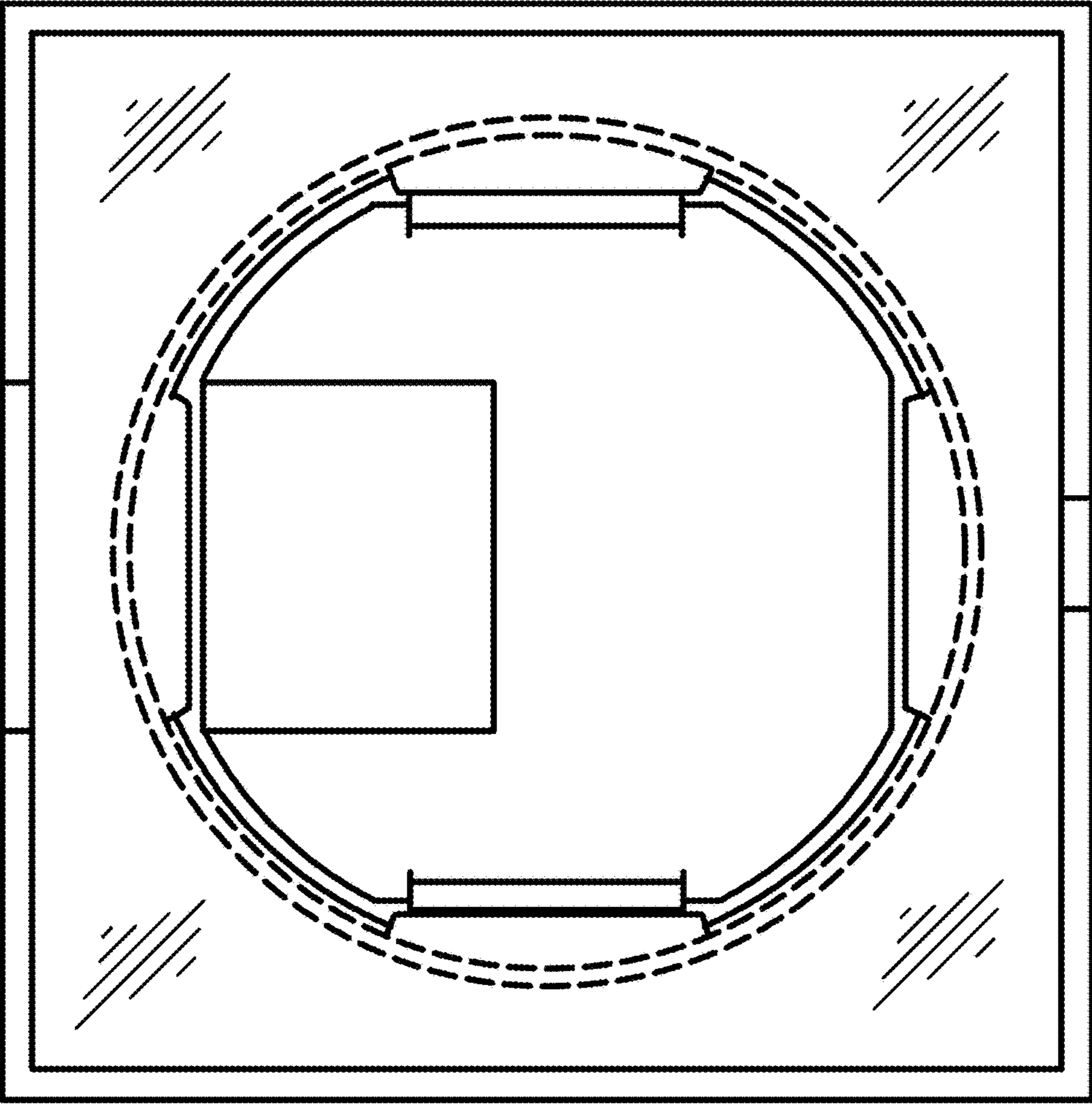


FIG. 4

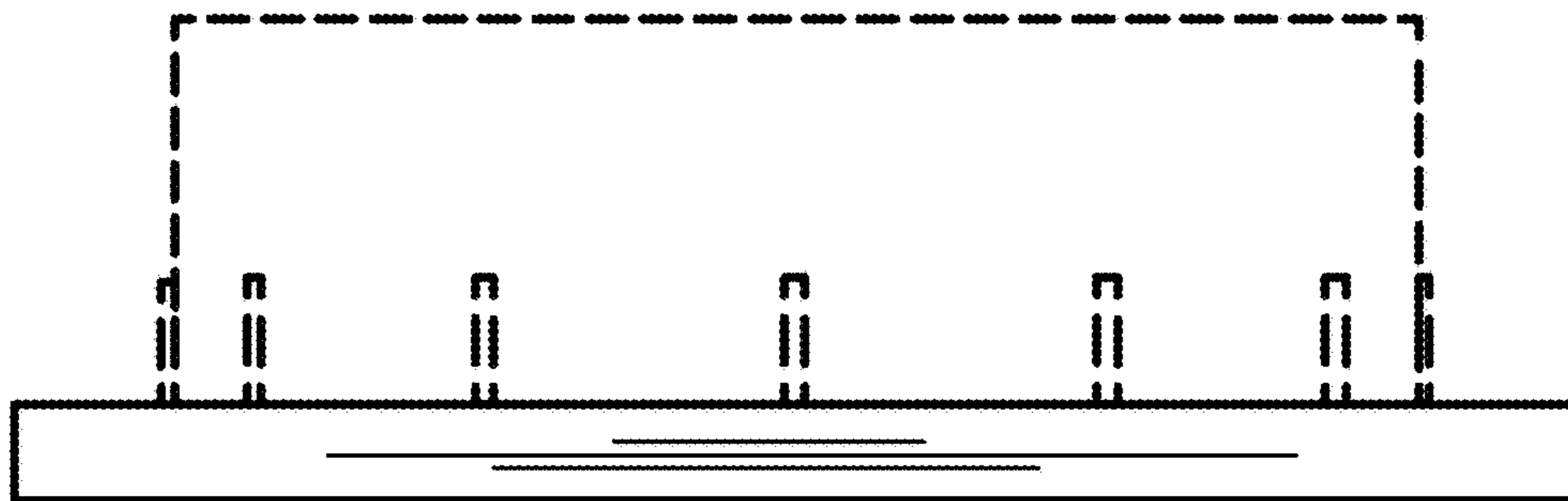


FIG. 5

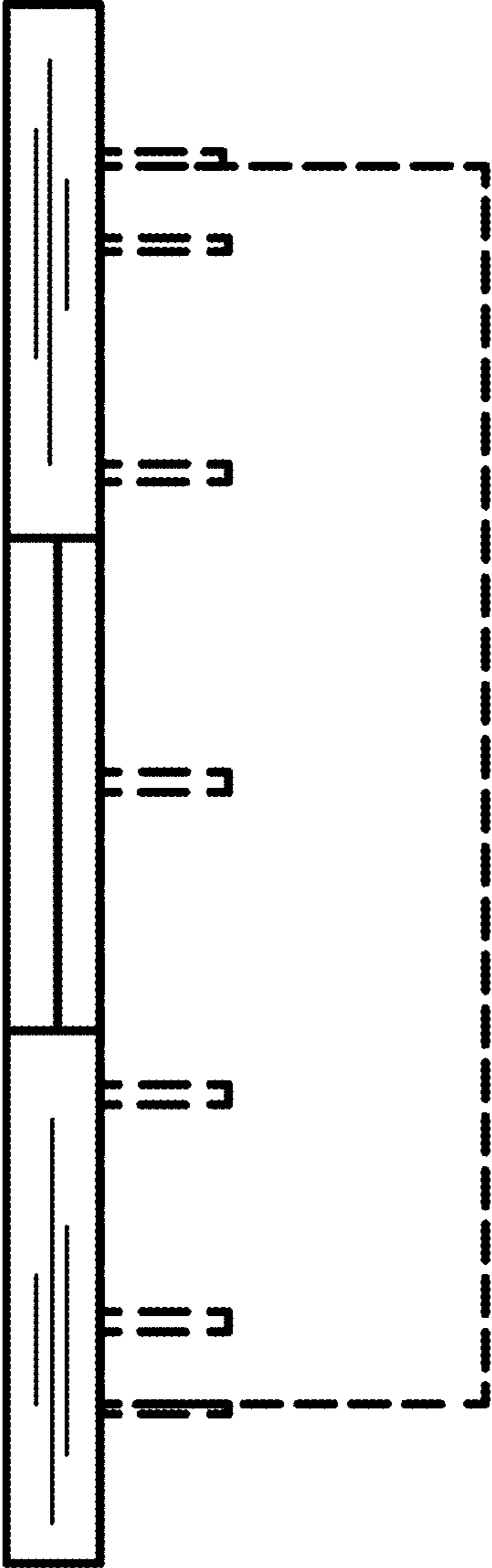


FIG. 6

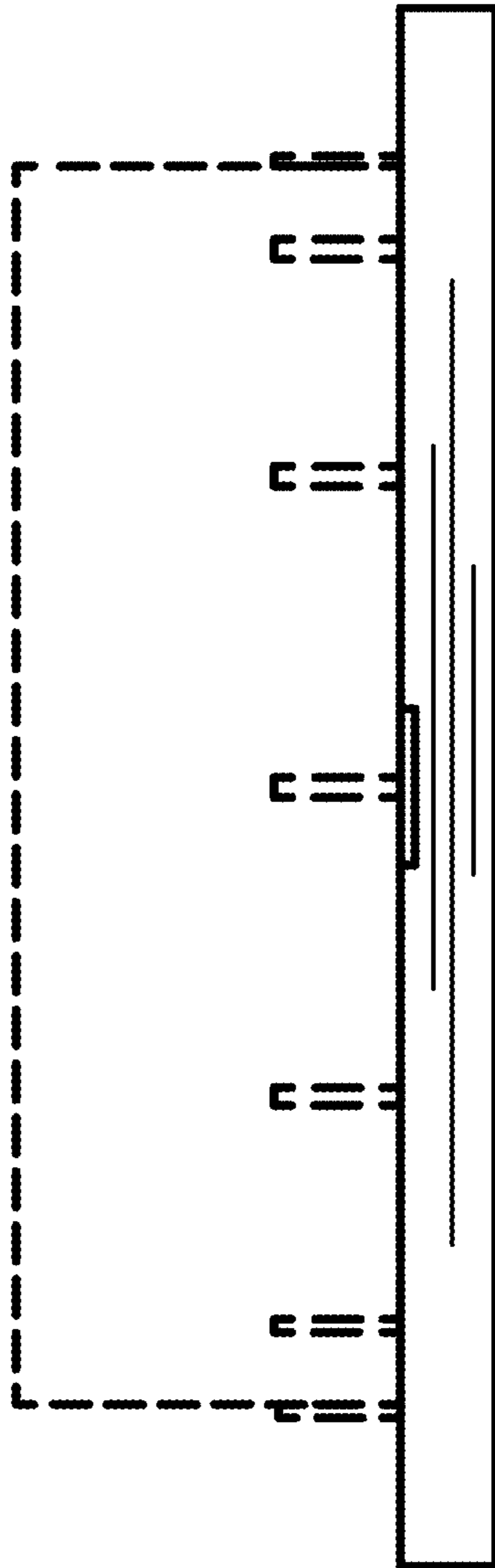


FIG. 7

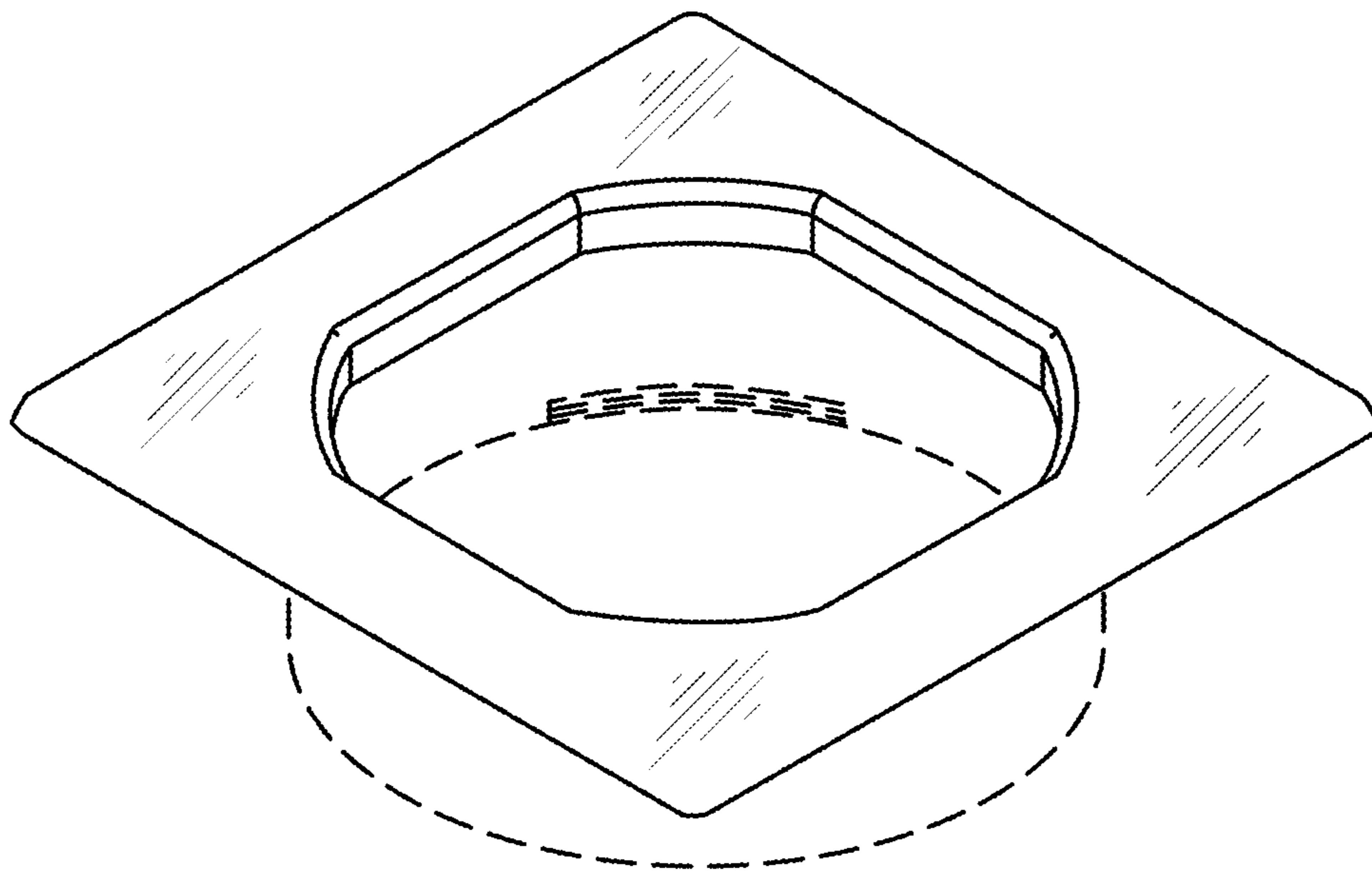


FIG. 8

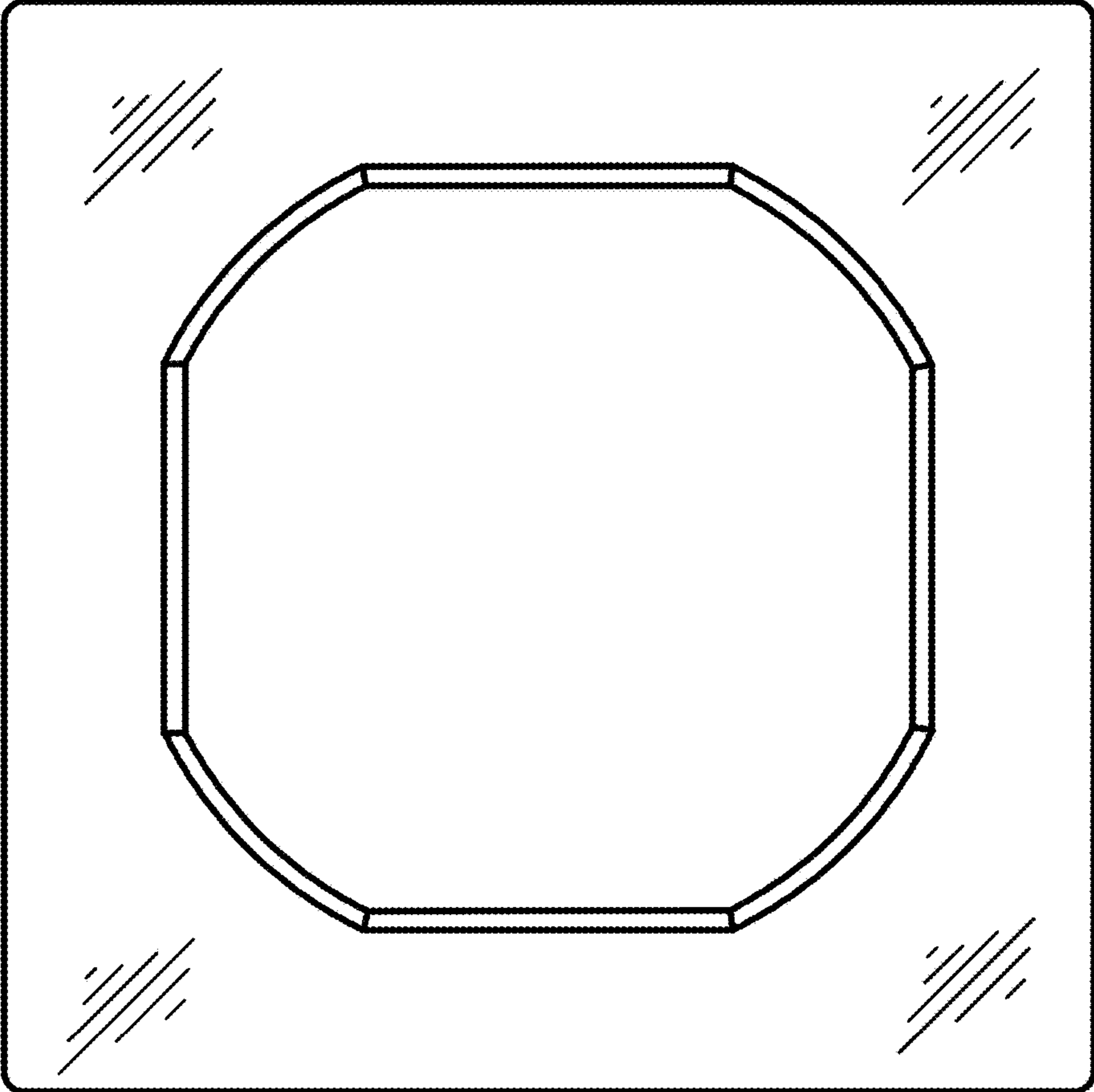


FIG. 9

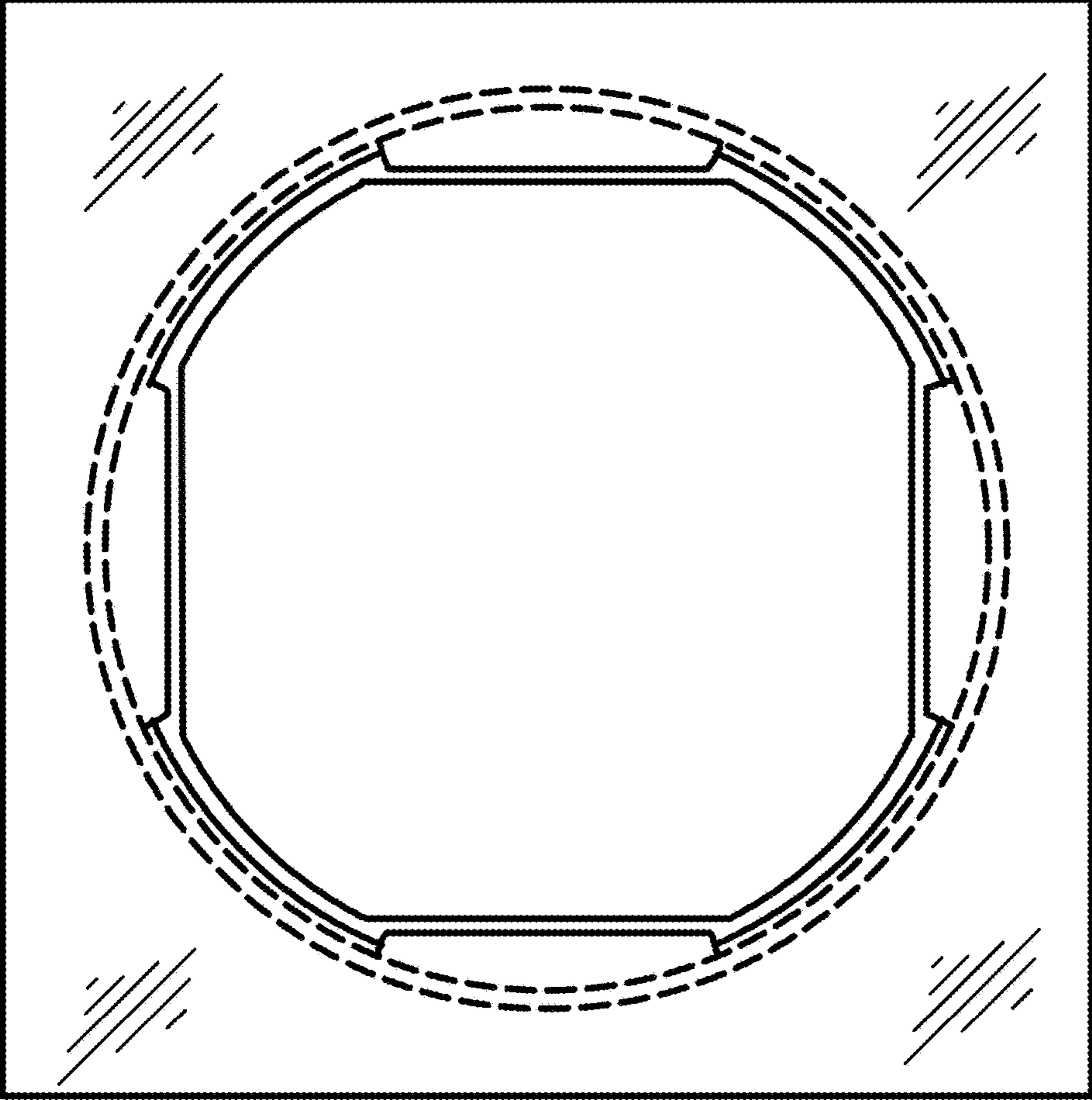


FIG. 10

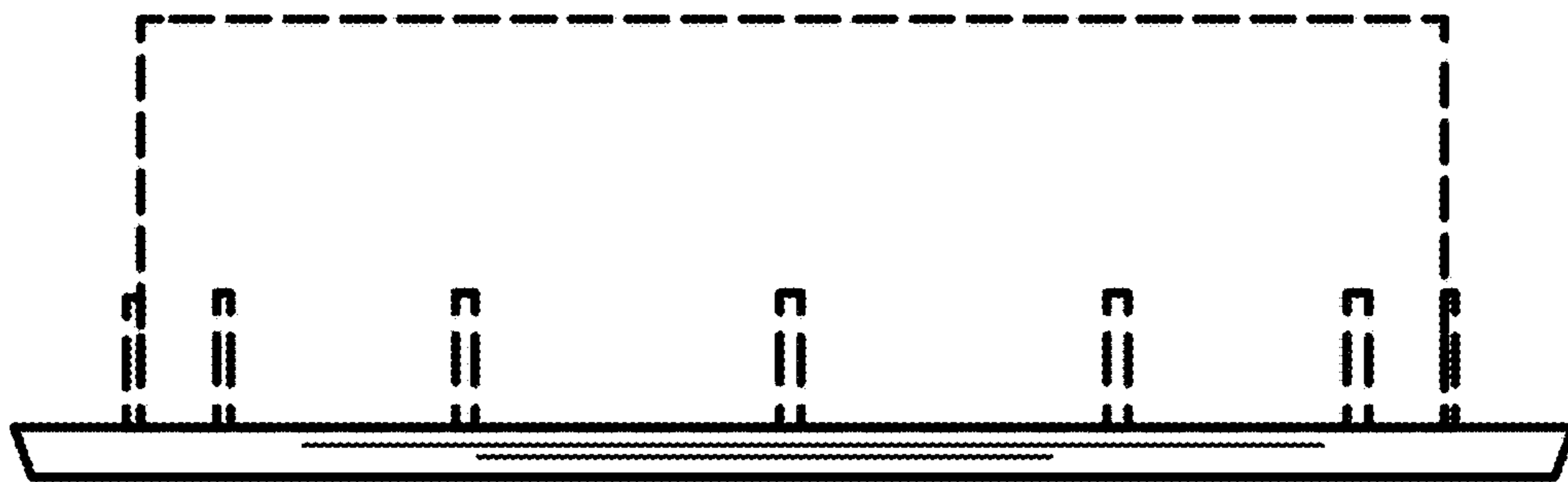


FIG. 11

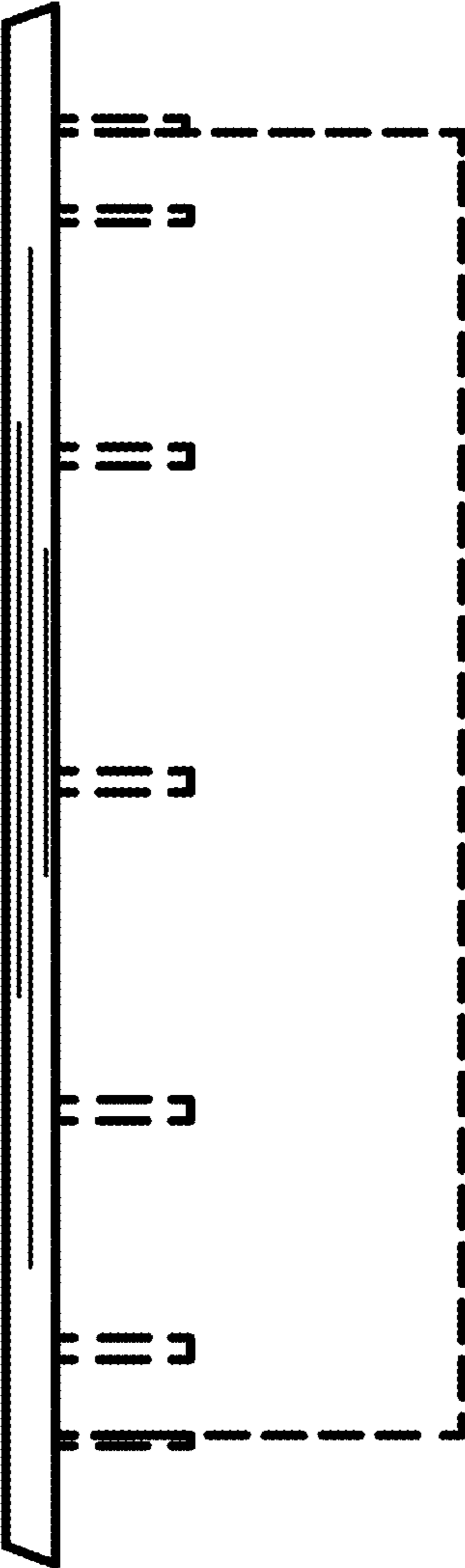


FIG. 12

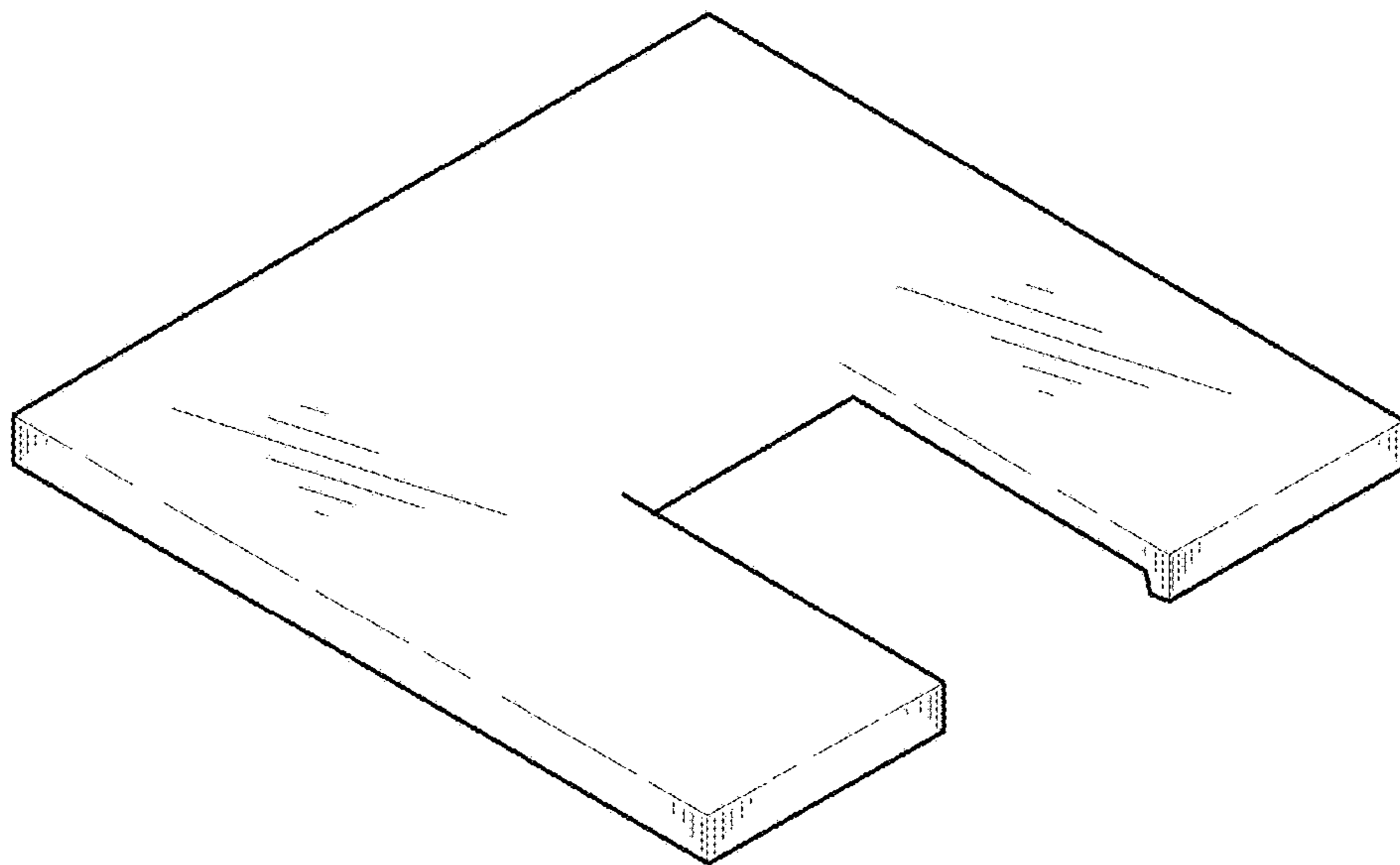


FIG. 13

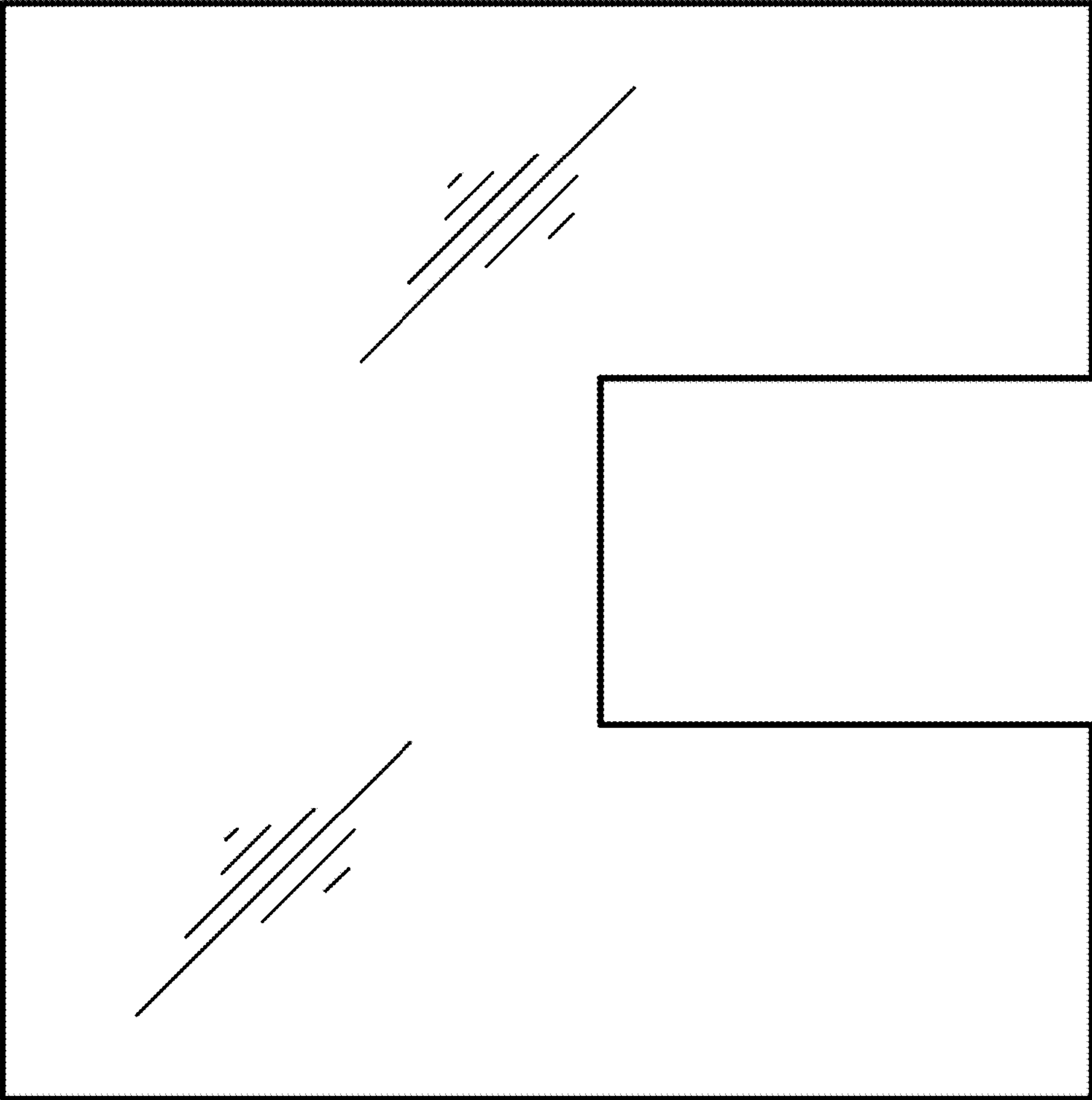


FIG. 14

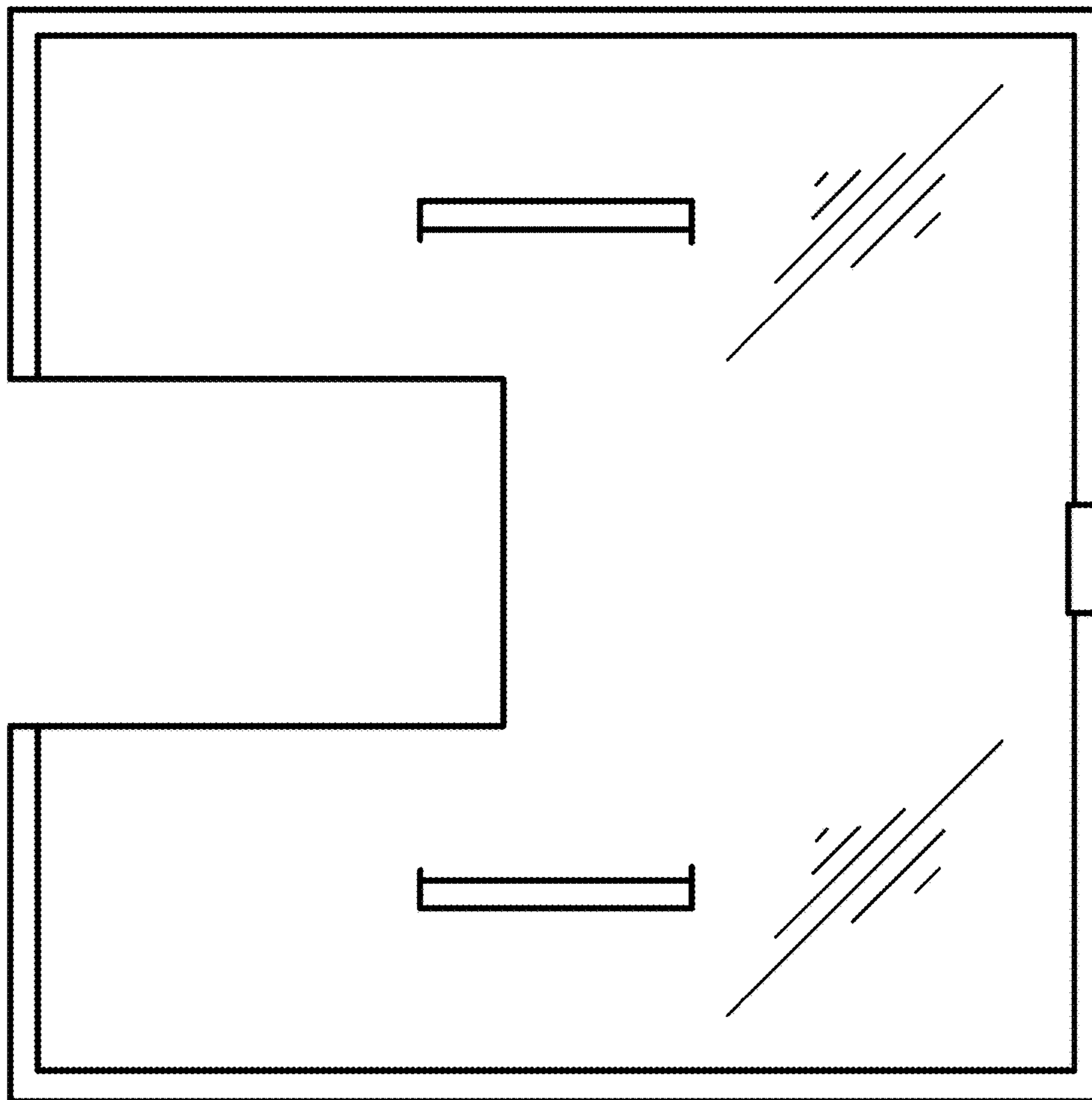


FIG. 15



FIG. 16



FIG. 17

