



US00D863936S

(12) **United States Design Patent** (10) **Patent No.:** **US D863,936 S**  
**Pratt et al.** (45) **Date of Patent:** **\*\* Oct. 22, 2019**

(54) **EXTENDER FOR ACCESSORIES** D388,762 S \* 1/1998 Nagy ..... D12/415  
6,394,403 B1 \* 5/2002 Hung ..... F16M 11/10  
(71) Applicant: **Railblaza Limited**, Silverdale, Auckland (NZ) D533,174 S \* 12/2006 Richter ..... D14/251  
D658,480 S \* 5/2012 Pratt ..... D8/349  
(72) Inventors: **Christopher Pratt**, Auckland (NZ); D658,481 S \* 5/2012 Pratt ..... D8/349  
**Ross Pratt**, Auckland (NZ) D692,285 S \* 10/2013 Pratt ..... D8/29  
2006/0157627 A1 \* 7/2006 Hung ..... F16C 11/10  
(73) Assignee: **Railblaza Limited** (NZ) 2006/0237608 A1 \* 10/2006 Hanson ..... B60J 3/0226  
248/276.1  
(\*\*) Term: **15 Years** 2007/0240358 A1 \* 10/2007 Follmar ..... A01K 97/10  
43/21.2  
(21) Appl. No.: **29/638,300** 2019/0071153 A1 \* 3/2019 Pratt ..... B63B 25/002

\* cited by examiner

*Primary Examiner* — Mark A Goodwin  
(74) *Attorney, Agent, or Firm* — Gloria Tsui-Yip, Esq.;  
Gottlieb, Rackman & Reisman, P.C.

(30) **Foreign Application Priority Data**

Sep. 5, 2017 (AU) ..... 201715277

(51) **LOC (12) Cl.** ..... **08-05**  
(52) **U.S. Cl.**  
USPC ..... **D8/349**; D8/354  
(58) **Field of Classification Search**  
USPC ..... D8/356, 382, 349, 354, 29; D12/317,  
D12/400, 415, 416, 421, 223  
CPC ..... B63B 25/002; B63B 25/00; F16M 13/02;  
F16M 11/06  
See application file for complete search history.

(56) **References Cited**

**U.S. PATENT DOCUMENTS**

4,382,572 A \* 5/1983 Thompson ..... B60R 1/04  
248/224.51  
4,632,348 A \* 12/1986 Keesling ..... F16C 11/0619  
248/222.11  
4,872,630 A \* 10/1989 Cooper ..... B60R 11/00  
248/278.1  
5,127,700 A \* 7/1992 Joe ..... B60J 3/0282  
296/97.5

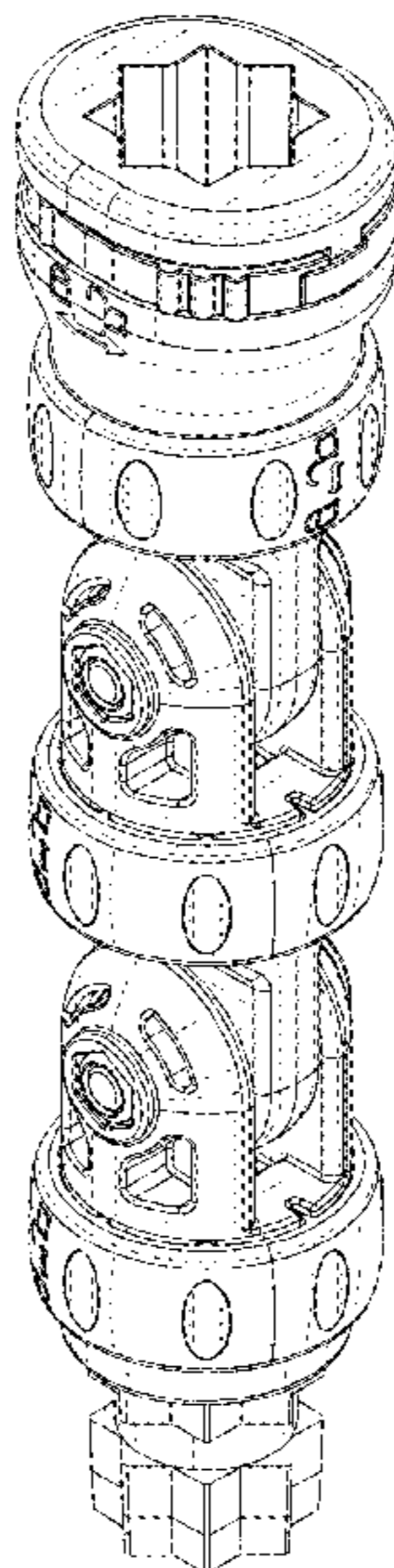
(57) **CLAIM**

The ornamental design for an extender for accessories, as shown and described.

**DESCRIPTION**

FIG. 1 is a front elevational view of an extender for accessories showing our new design;  
FIG. 2 is a rear elevational view thereof;  
FIG. 3 is a left side view thereof;  
FIG. 4 is a right side view thereof;  
FIG. 5 is a top plan view thereof;  
FIG. 6 is a bottom plan view thereof;  
FIG. 7 is a perspective view thereof;  
FIG. 8 is another perspective view thereof; and,  
FIG. 9 is the perspective view of FIG. 7 showing the extender for accessories in an alternate position.

**1 Claim, 9 Drawing Sheets**



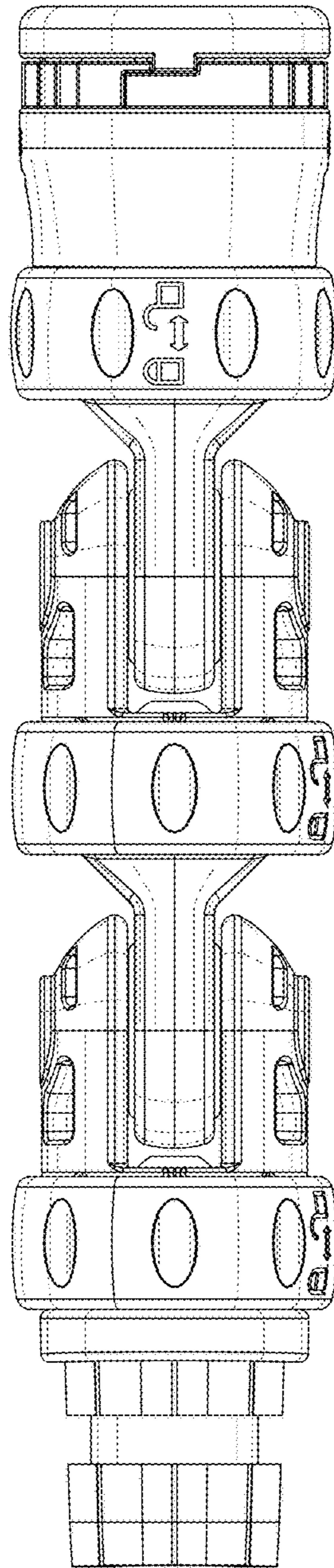


FIG. 1

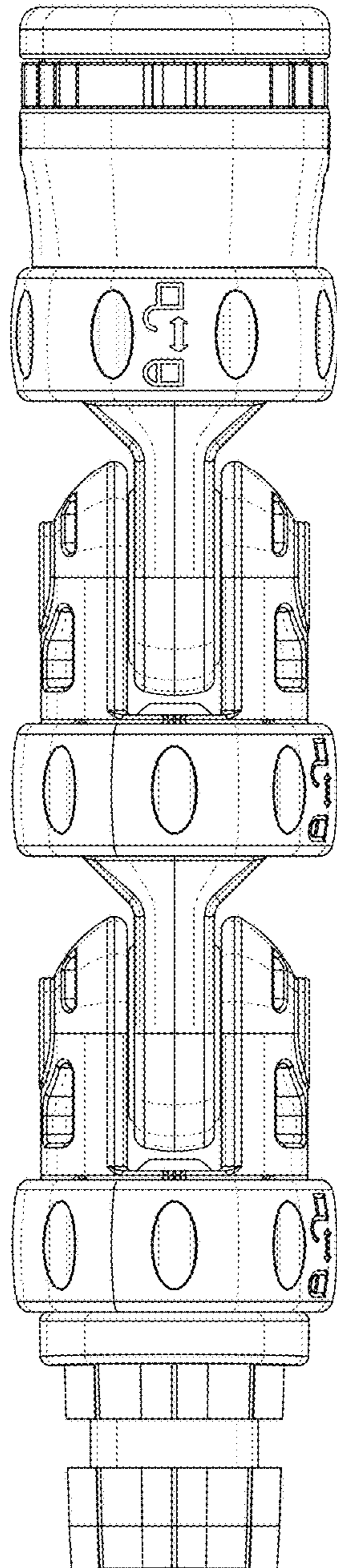


FIG. 2

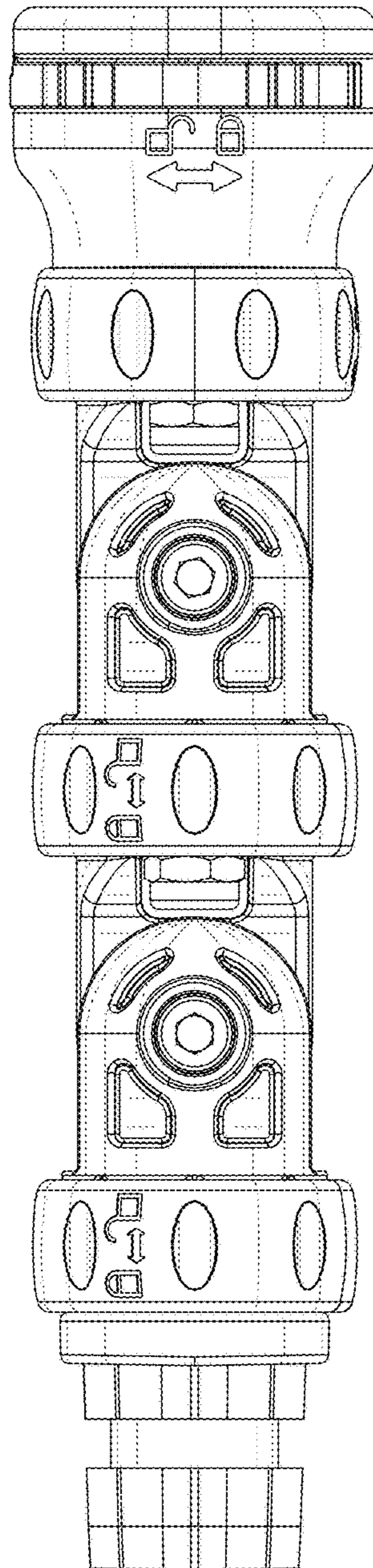


FIG. 3

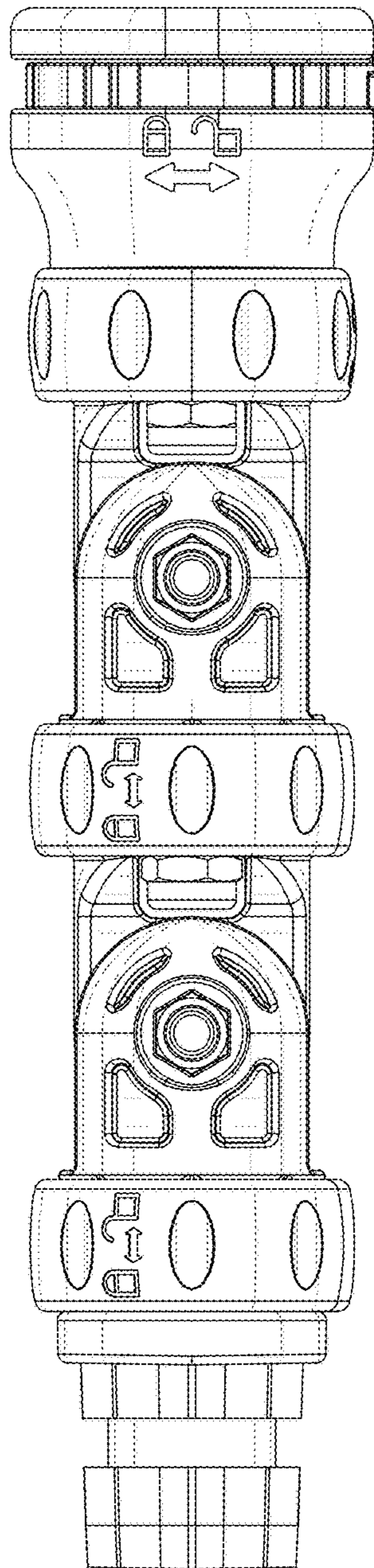


FIG. 4

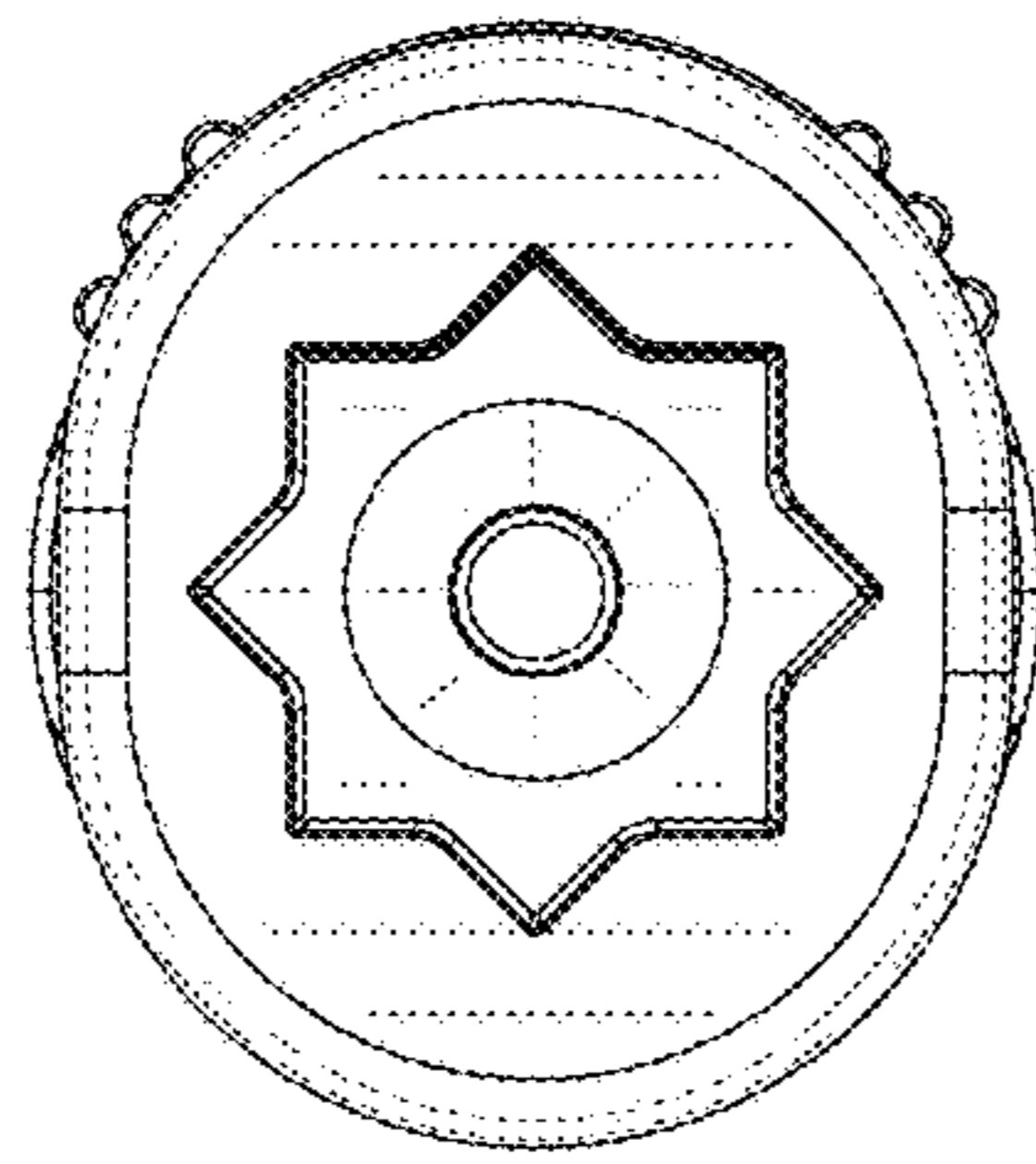


FIG. 5

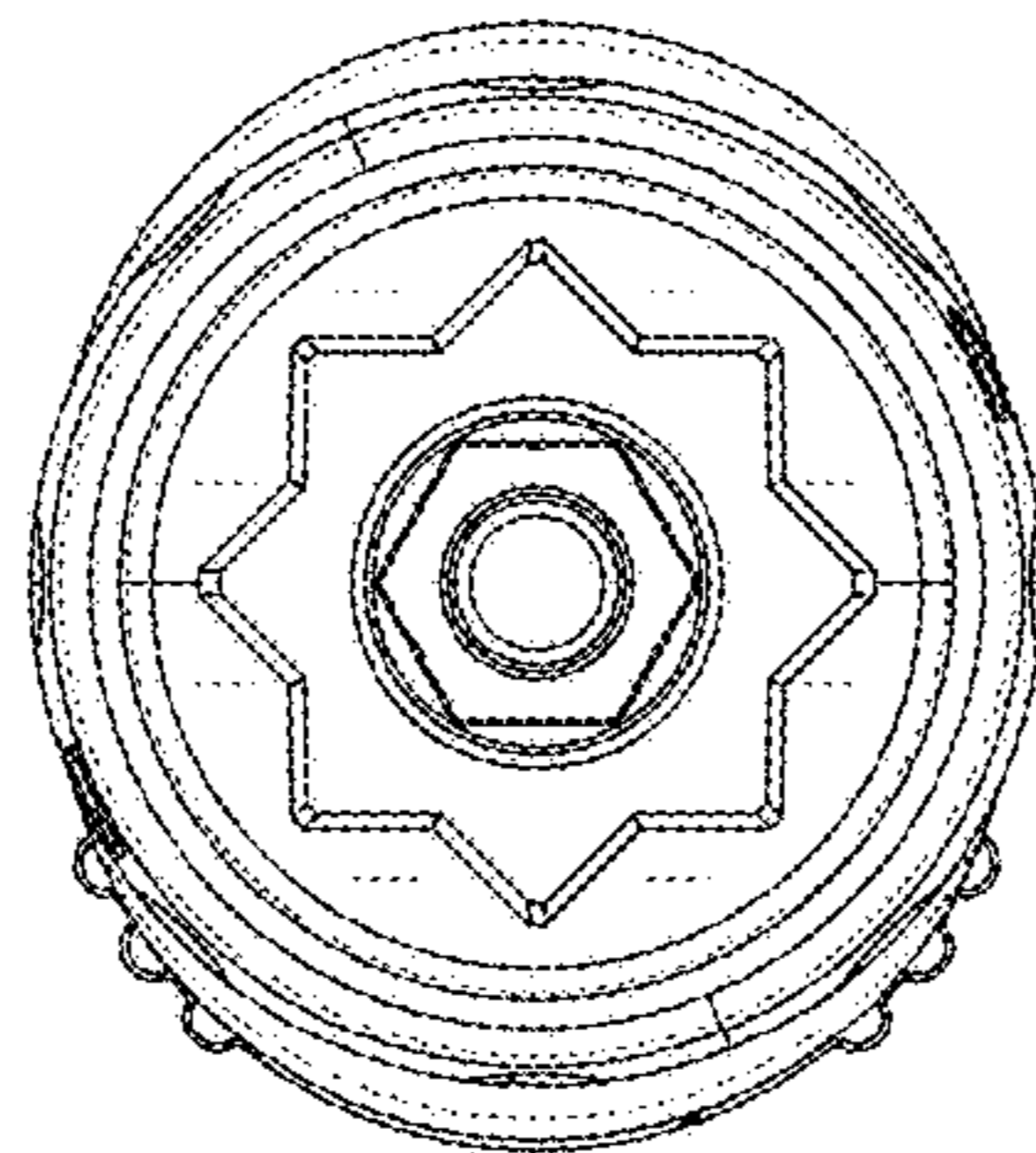


FIG. 6

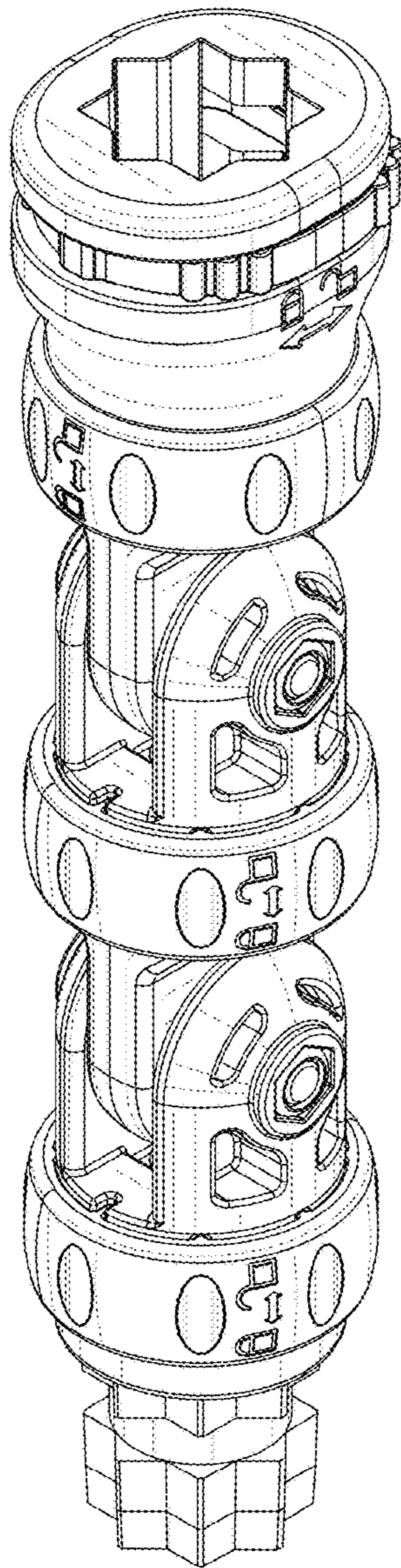


FIG. 7



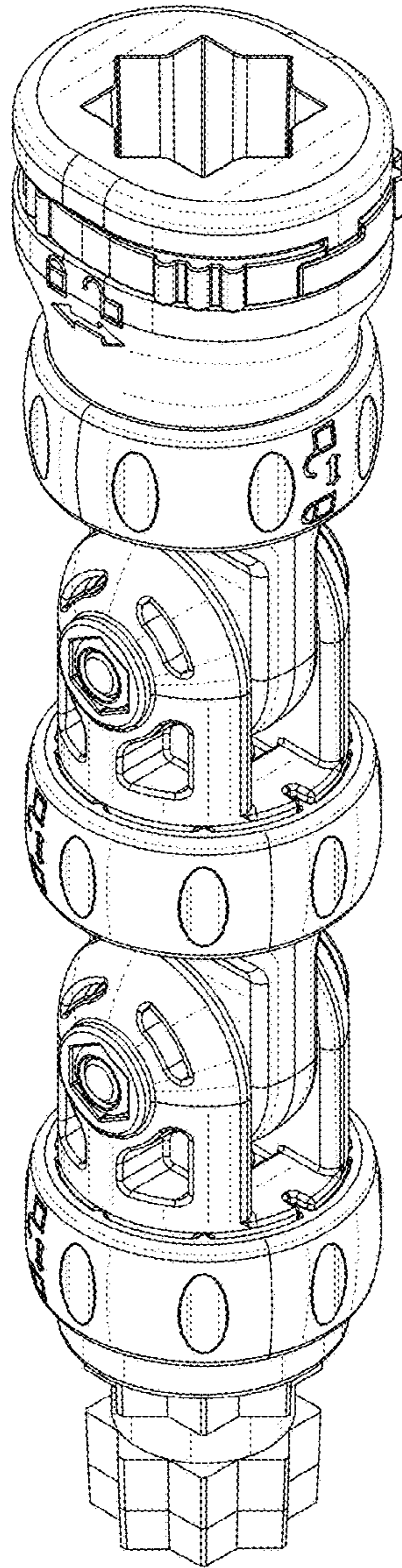


FIG. 8

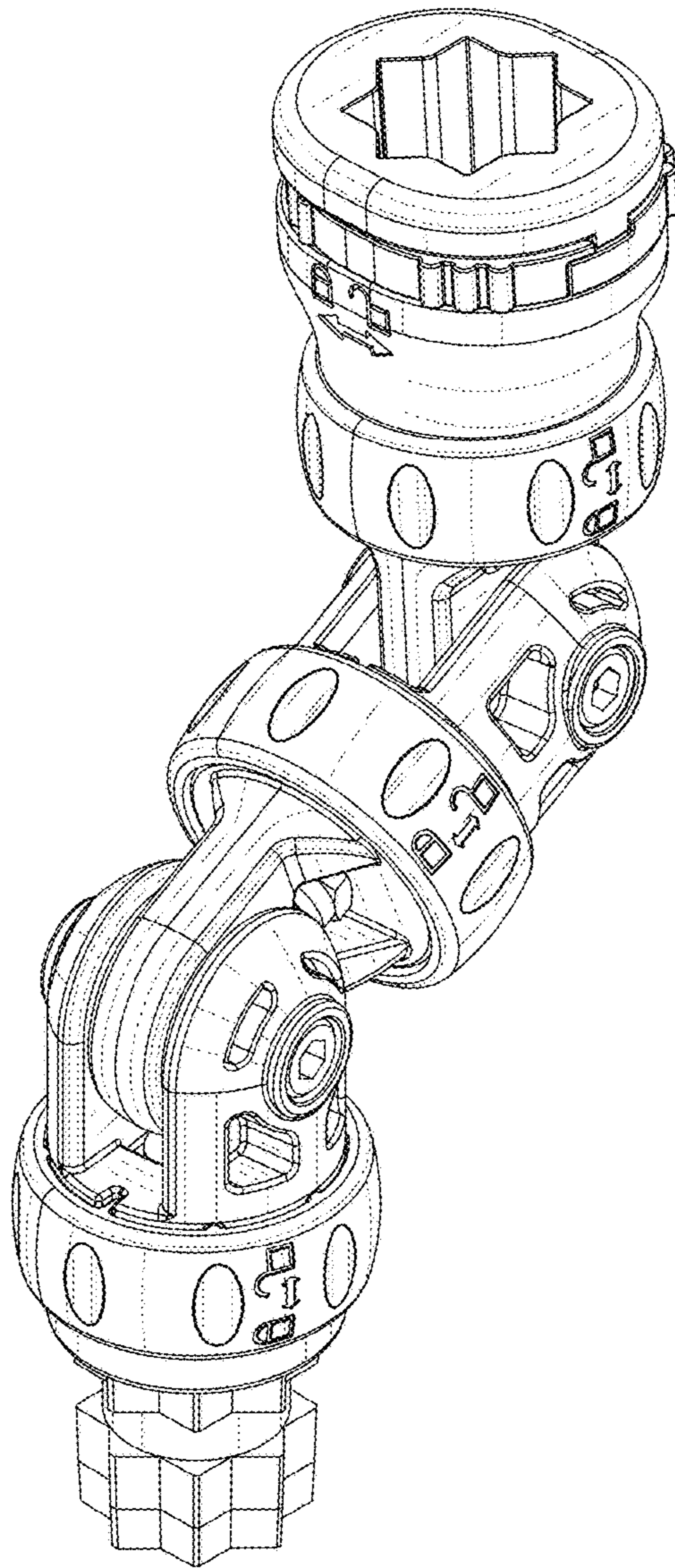


FIG. 9