



US00D863935S

(12) **United States Design Patent** (10) **Patent No.:** **US D863,935 S**
Aoki et al. (45) **Date of Patent:** **** Oct. 22, 2019**

- (54) **HINGE HAVING MULTIPLE DEGREES OF FREEDOM**
- (71) Applicant: **INTEL CORPORATION**, Santa Clara, CA (US)
- (72) Inventors: **Russell S. Aoki**, Tacoma, WA (US); **Jeff Ku**, Taipei (TW); **Sheng-Chao Lin**, Taipei (TW)
- (73) Assignee: **Intel Corporation**, Santa Clara, CA (US)
- (**) Term: **14 Years**
- (21) Appl. No.: **29/513,118**
- (22) Filed: **Dec. 26, 2014**

Related U.S. Application Data

- (62) Division of application No. 14/225,933, filed on Mar. 26, 2014.
- (51) **LOC (12) Cl.** **08-06**
- (52) **U.S. Cl.**
USPC **D8/329**; D14/440
- (58) **Field of Classification Search**
USPC 16/337, 224, 342, 366, 368, 375, 382, 16/386, 367; 361/679.58, 679.07, 679.06, 361/679.27; D8/327, 323, 329; D14/440
CPC F16M 11/12; G06F 1/1681; G06F 1/162
See application file for complete search history.

(56) **References Cited**

U.S. PATENT DOCUMENTS

- D262,188 S * 12/1981 Thompson D8/327
- 4,547,027 A * 10/1985 Scheibenreif F16M 11/10
248/349.1
- D371,950 S * 7/1996 Ressegger D8/323

(Continued)

FOREIGN PATENT DOCUMENTS

EP 1975762 A1 1/2008

OTHER PUBLICATIONS

Aoki et al., U.S. Appl. No. 141751,752, filed Jun. 26, 2015, US Application, Drawings, and Filing Receipt dated Jul. 10, 2015 attached (33 pages), not yet published.
(Continued)

Primary Examiner — Cynthia R Underwood
(74) *Attorney, Agent, or Firm* — International IP Law Group, P.L.L.C.

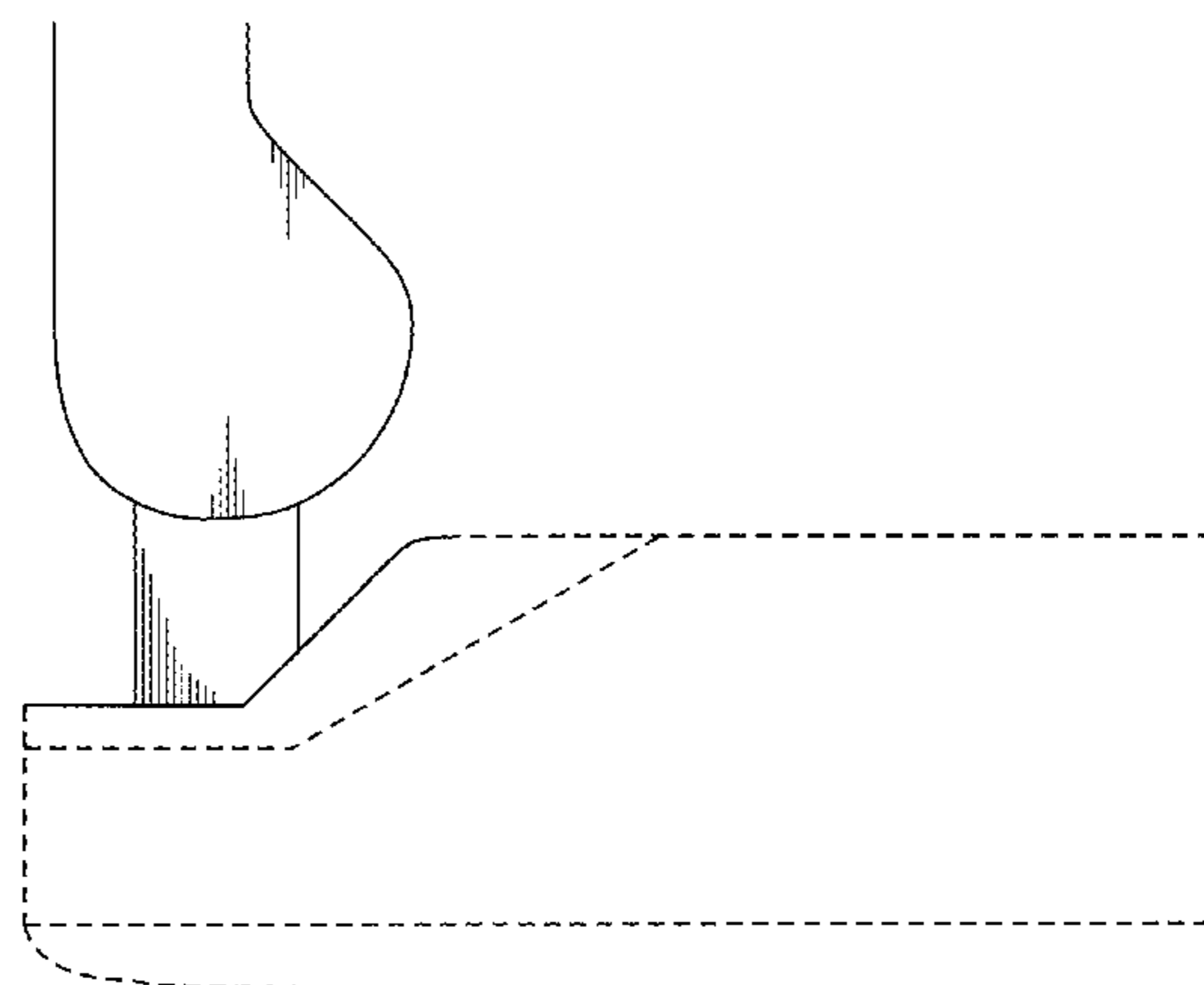
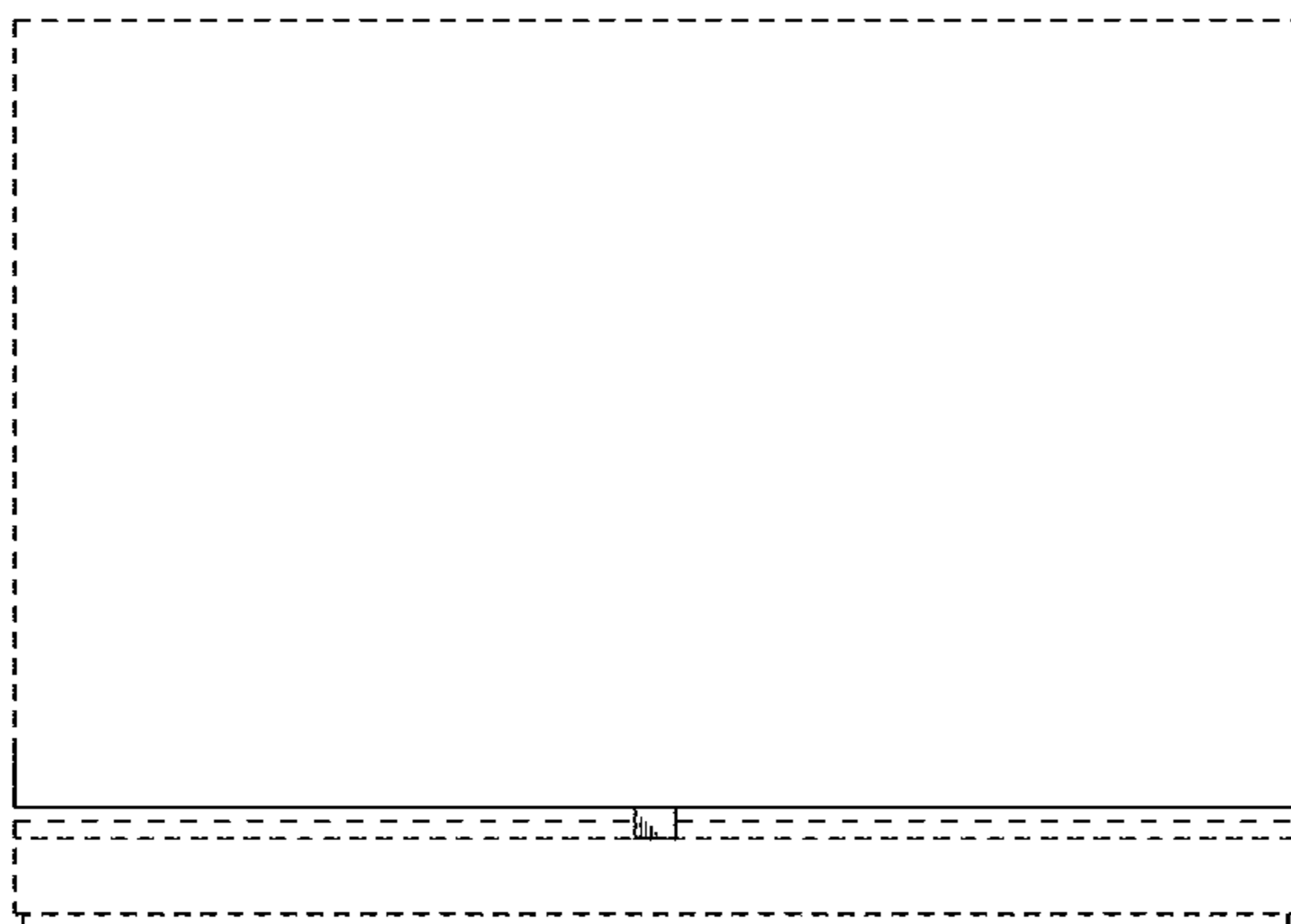
(57) **CLAIM**

The ornamental design for a hinge having multiple degrees of freedom, as shown and described.

DESCRIPTION

FIG. 1 is a front view of the hinge having multiple degrees of freedom;
FIG. 2 is a back view thereof;
FIG. 3 is a top view thereof;
FIG. 4 is a bottom view thereof;
FIG. 5 is a side view thereof;
FIG. 6 is the opposite side view thereof;
FIG. 7 is a perspective view thereof;
FIG. 8 is an enlarged perspective view thereof taken from the portion within the broken line rectangle in FIG. 7;
FIG. 9 is an enlarged view of FIG. 5;
FIG. 10 is a front view of the hinge having multiple degrees of freedom from FIG. 1 in an alternate configuration;
FIG. 11 is a back view of the hinge having multiple degrees of freedom from FIG. 1 in the alternate configuration; and,
FIG. 12 is a side view thereof shown in a closed configuration.
The broken lines depict environment and form no part of the claim.

1 Claim, 12 Drawing Sheets



(56)

References Cited

U.S. PATENT DOCUMENTS

6,498,721 B1 * 12/2002 Kim G06F 1/162
248/917

6,532,147 B1 3/2003 Christ, Jr.

6,867,961 B2 3/2005 Choi

7,027,297 B1 * 4/2006 Mizuno G06F 1/162
16/337

7,100,876 B2 * 9/2006 Tseng G06F 1/162
248/125.9

7,133,280 B2 * 11/2006 Love G06F 1/162
361/679.07

D562,108 S * 2/2008 Pester D8/323

7,551,431 B2 * 6/2009 Nakajima G06F 1/162
248/920

7,594,299 B2 * 9/2009 Kilpinen G06F 1/1616
16/225

7,706,137 B2 4/2010 Iijima et al.

D621,683 S * 8/2010 Mullenix D8/323

D628,409 S * 12/2010 Anzai D8/323

7,916,462 B2 * 3/2011 Hung G06F 1/162
361/679.06

7,971,321 B2 7/2011 Chen et al.

7,974,084 B2 7/2011 Chen et al.

8,050,030 B2 11/2011 Wu et al.

8,250,713 B2 8/2012 Lin

8,429,796 B2 * 4/2013 Nagami B6R 11/0235
16/334

8,811,011 B2 * 8/2014 Tian G06F 1/1616
361/679.06

8,861,187 B2 * 10/2014 Takahashi G06F 1/162
361/679.06

8,887,356 B2 * 11/2014 Bailey E05D 5/06
16/382

8,899,537 B2 * 12/2014 Kuan F16M 11/2021
16/319

8,955,196 B2 * 2/2015 Bai E05D 7/0415
16/367

D727,734 S * 4/2015 Kwak D9/456

9,086,848 B2 * 7/2015 Kinoshita G06F 1/1637

9,146,586 B2 * 9/2015 Ho G06F 1/1616

9,223,351 B2 * 12/2015 Lam G06F 1/1622

D749,341 S * 2/2016 Mitchell D6/634

D750,619 S * 3/2016 Amit D14/341

9,342,101 B2 * 5/2016 Hsu G06F 1/1616

9,696,754 B2 * 7/2017 Aoki G06F 1/162

2003/0193773 A1 * 10/2003 Choi G06F 1/1681
361/679.06

2004/0012920 A1 1/2004 Tanimoto et al.

2004/0107540 A1 6/2004 Hsu

2004/0160733 A1 * 8/2004 Hsu G06F 1/1681
361/679.06

2005/0198780 A1 9/2005 Liu et al.

2005/0207104 A1 * 9/2005 Love G06F 1/162
361/679.07

2005/0237701 A1 10/2005 Yu

2006/0133020 A1 * 6/2006 Huang F16M 11/12
361/679.09

2006/0168756 A1 8/2006 Sato et al.

2006/0171112 A1 8/2006 Lev et al.

2007/0285883 A1 * 12/2007 Nakajima G06F 1/162
361/679.27

2008/0094792 A1 4/2008 Chen et al.

2008/0151509 A1 * 6/2008 Chien G06F 1/1616
361/726

2008/0253072 A1 * 10/2008 Tracy G06F 1/162
361/679.06

2009/0231791 A1 * 9/2009 Aoyama G06F 1/1613
361/679.07

2010/0125975 A1 * 5/2010 Zhang G06F 1/162
16/337

2010/0232102 A1 9/2010 Walker et al.

2010/0289391 A1 * 11/2010 Lai G06F 1/1616
312/223.1

2011/0075340 A1 3/2011 Qin

2011/0110027 A1 * 5/2011 Hu G06F 1/162
361/679.07

2011/0110670 A1 * 5/2011 Atkinson G06F 1/162
398/135

2012/0293938 A1 * 11/2012 Dai G06F 1/1622
361/679.07

2013/0128441 A1 5/2013 Lee

2015/0277488 A1 10/2015 Aoki et al.

2016/0357225 A1 * 12/2016 Huang G06F 1/1681

OTHER PUBLICATIONS

International Search Report and Written Opinion, PCT No. PCT/US2015/018486, dated May 27, 2015, 11 pages.

* cited by examiner

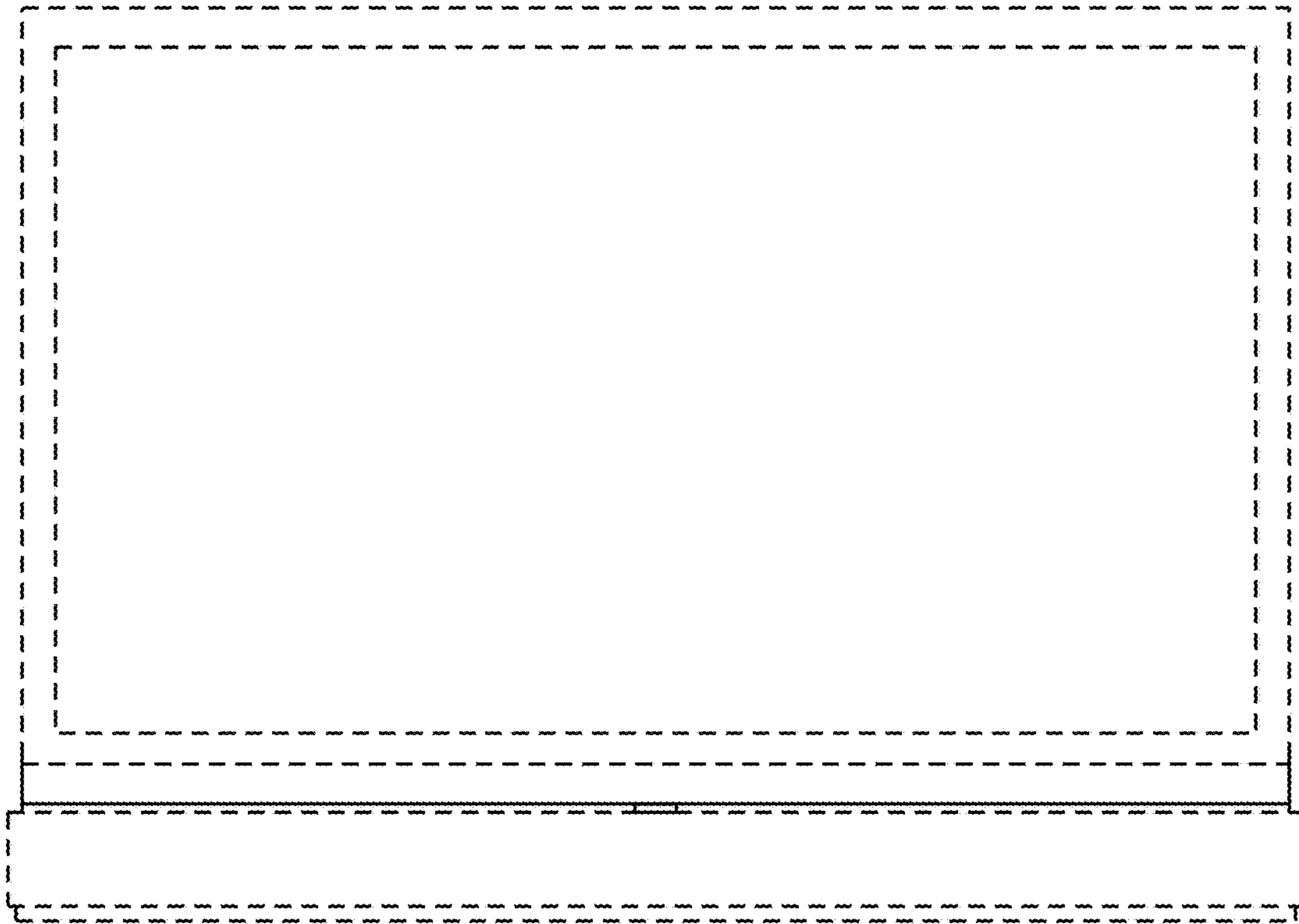


FIG. 1

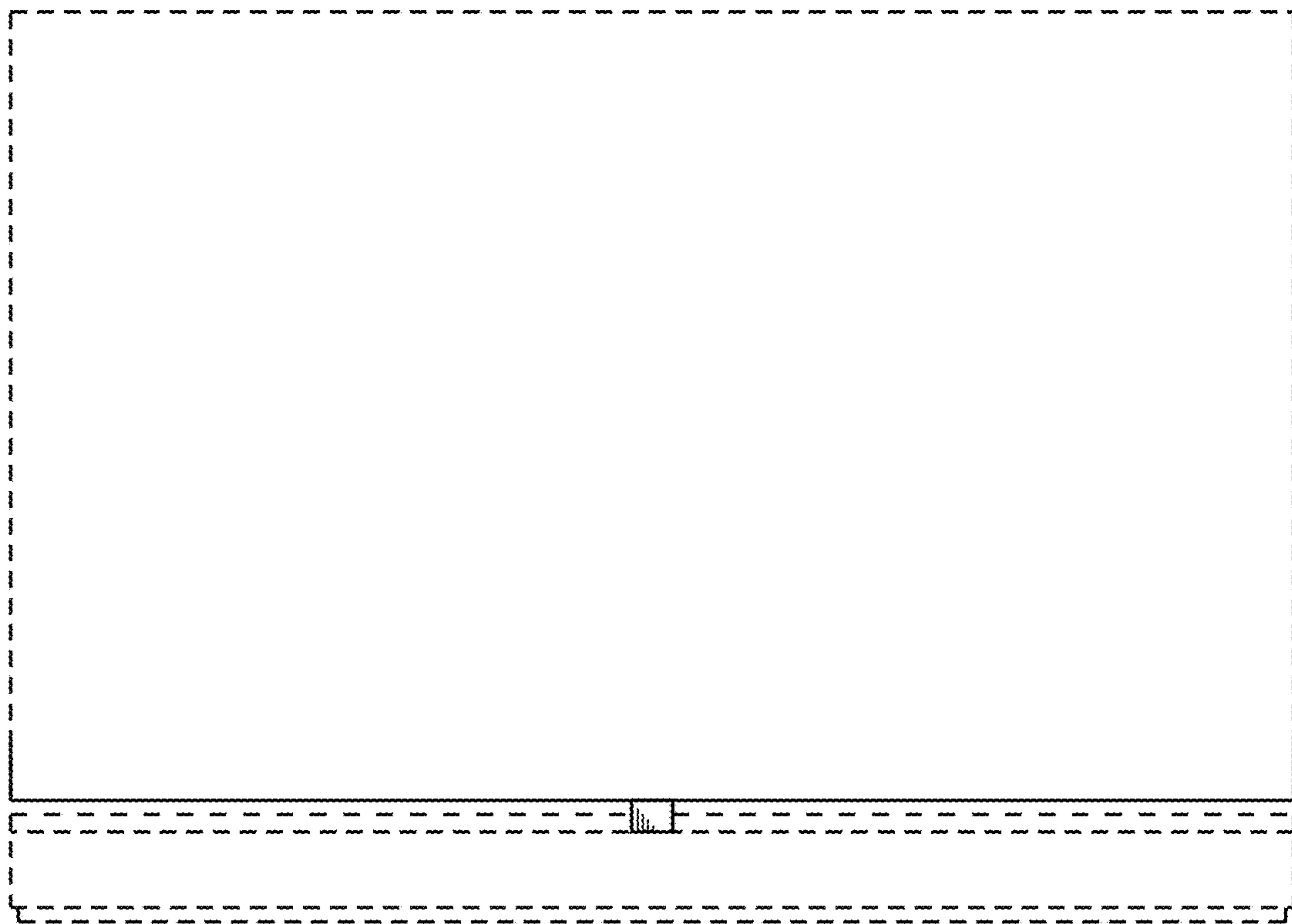


FIG. 2

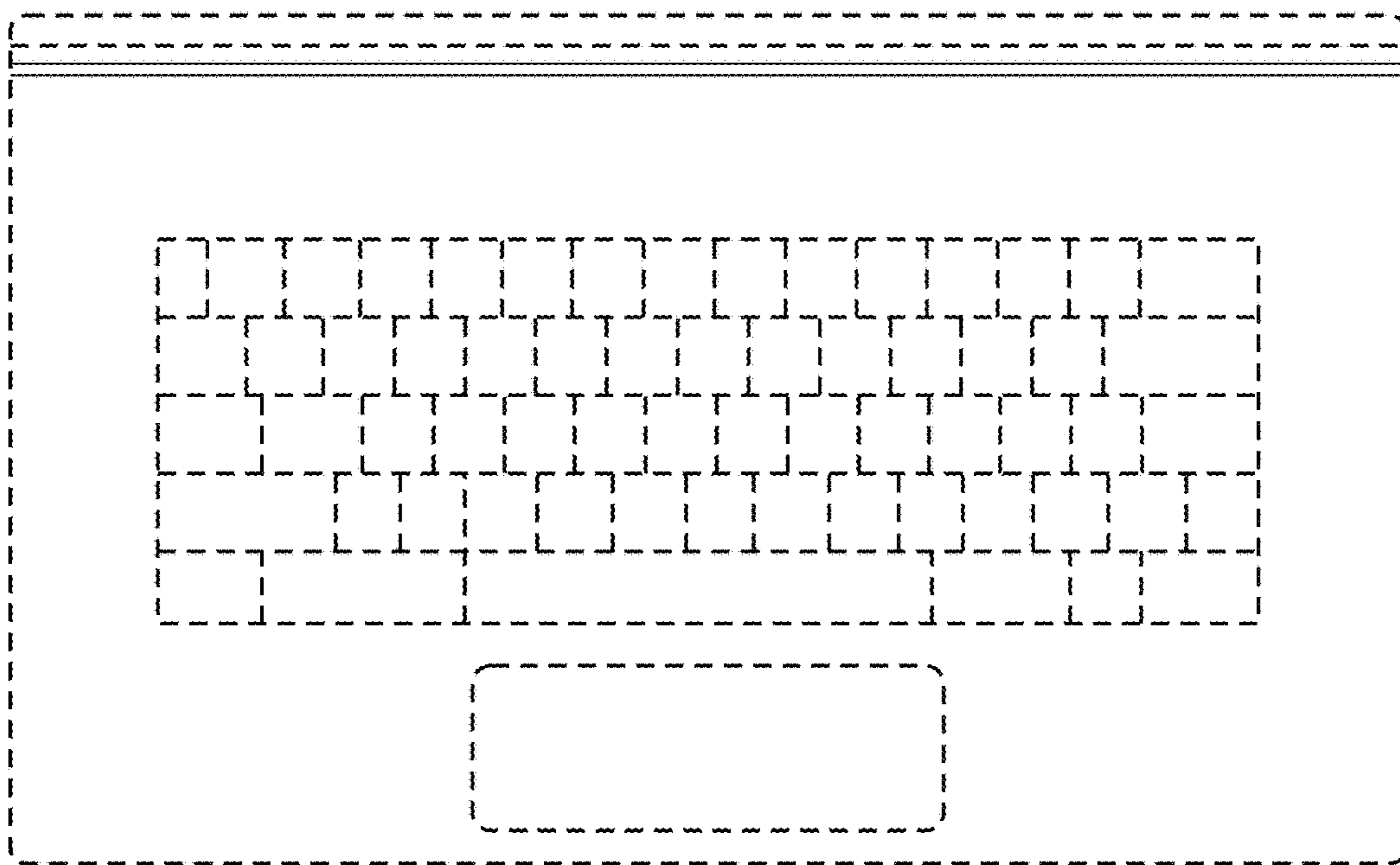


FIG. 3



FIG. 4

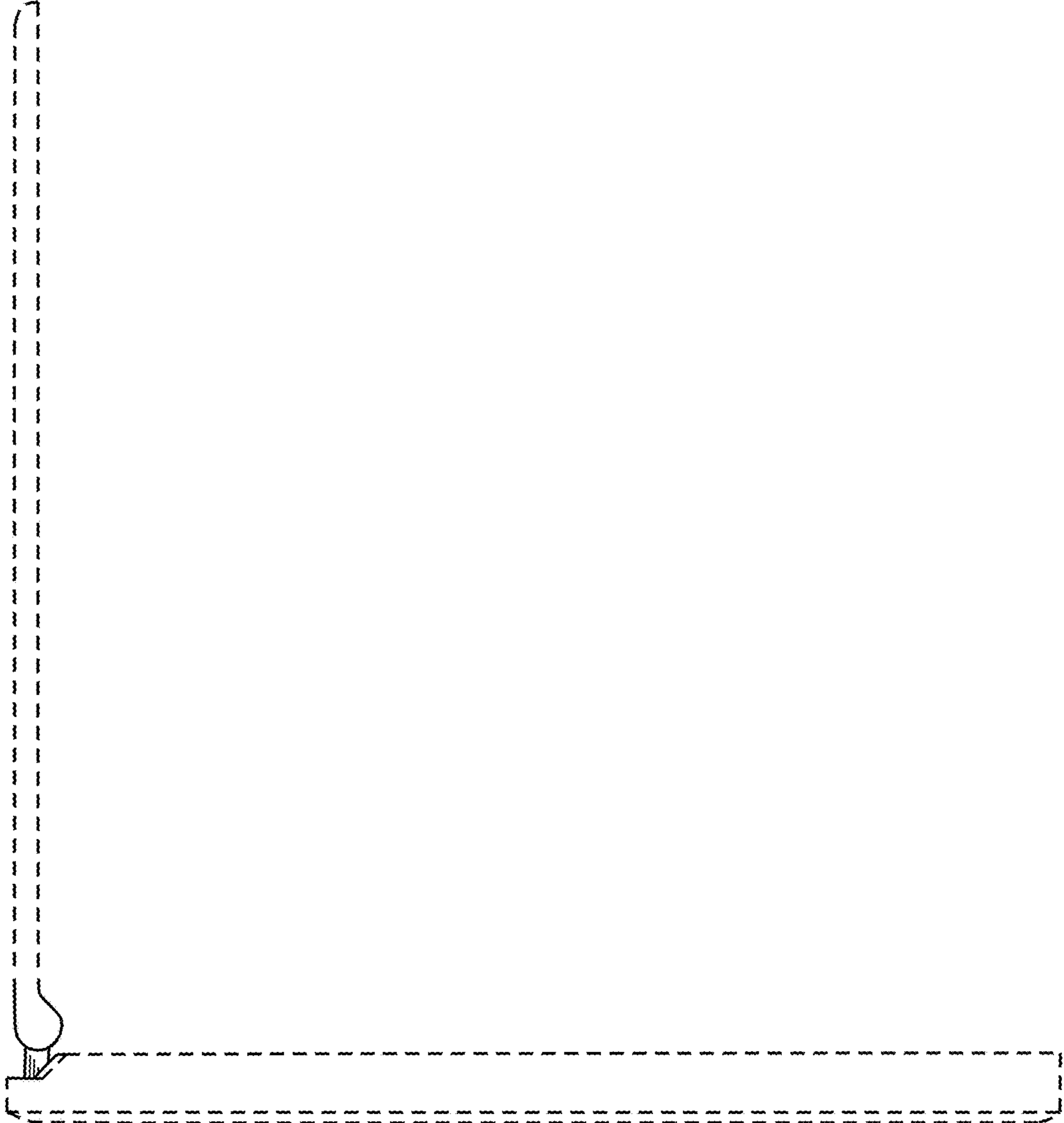


FIG. 5

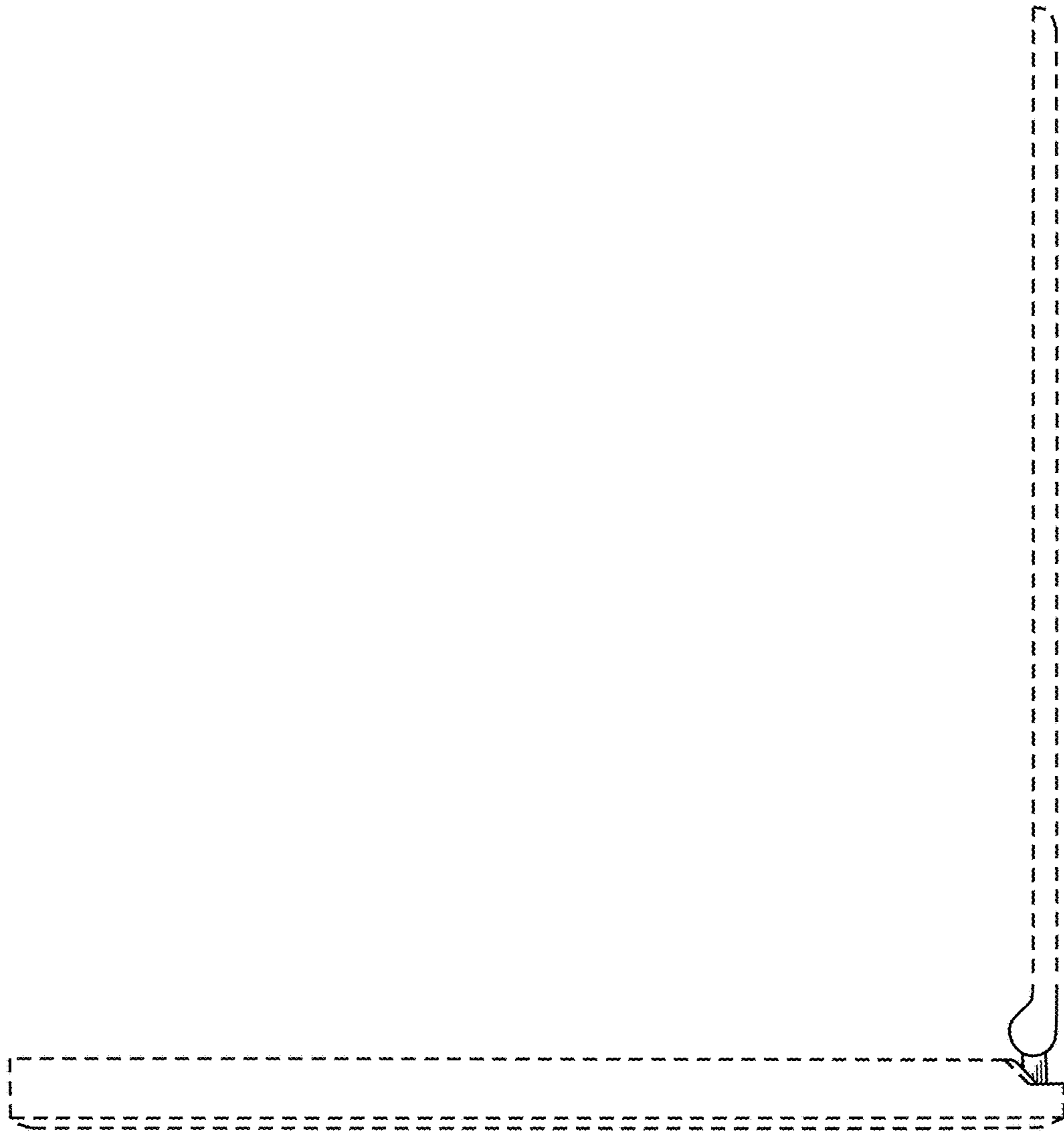


FIG. 6

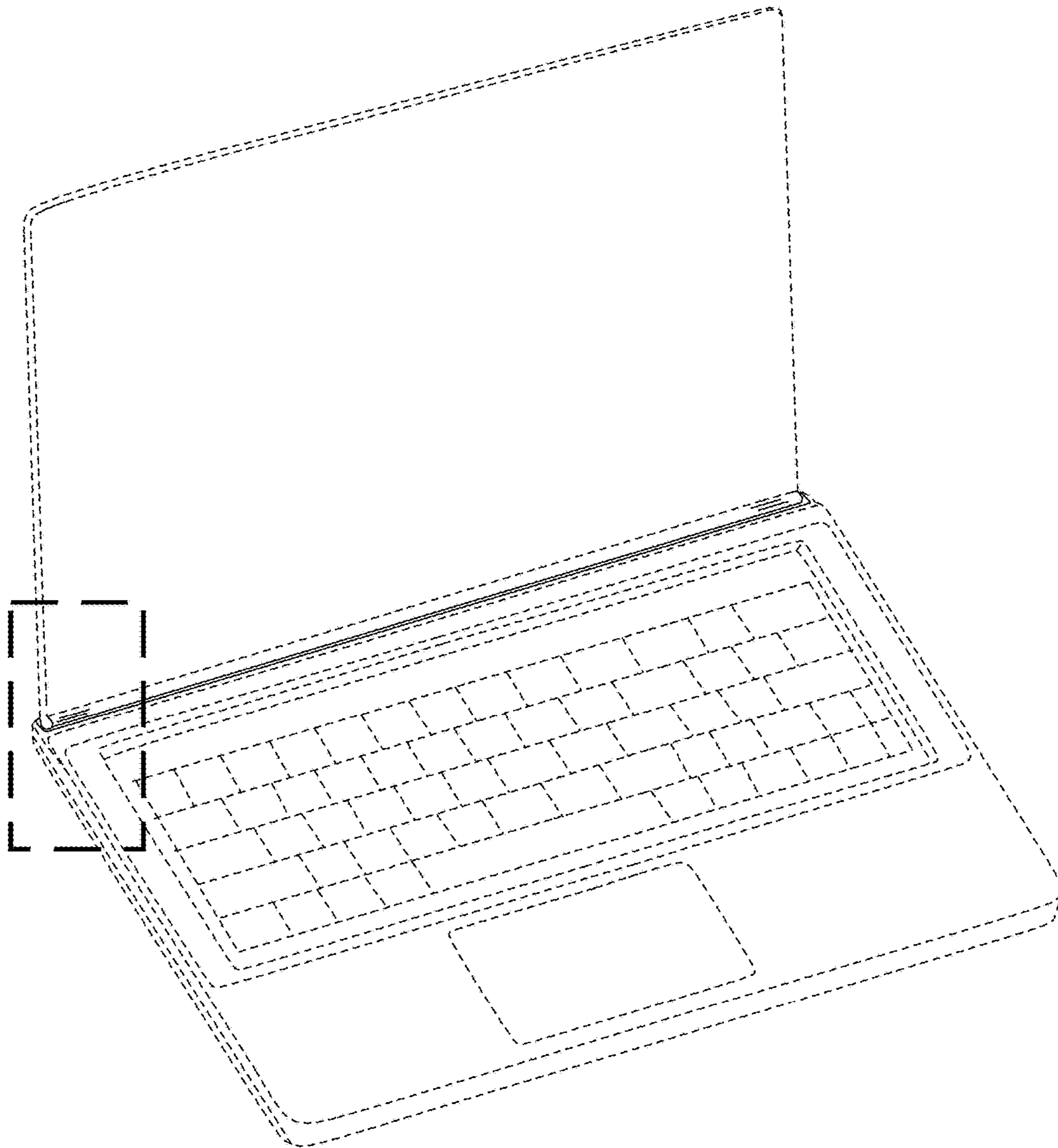


FIG. 7

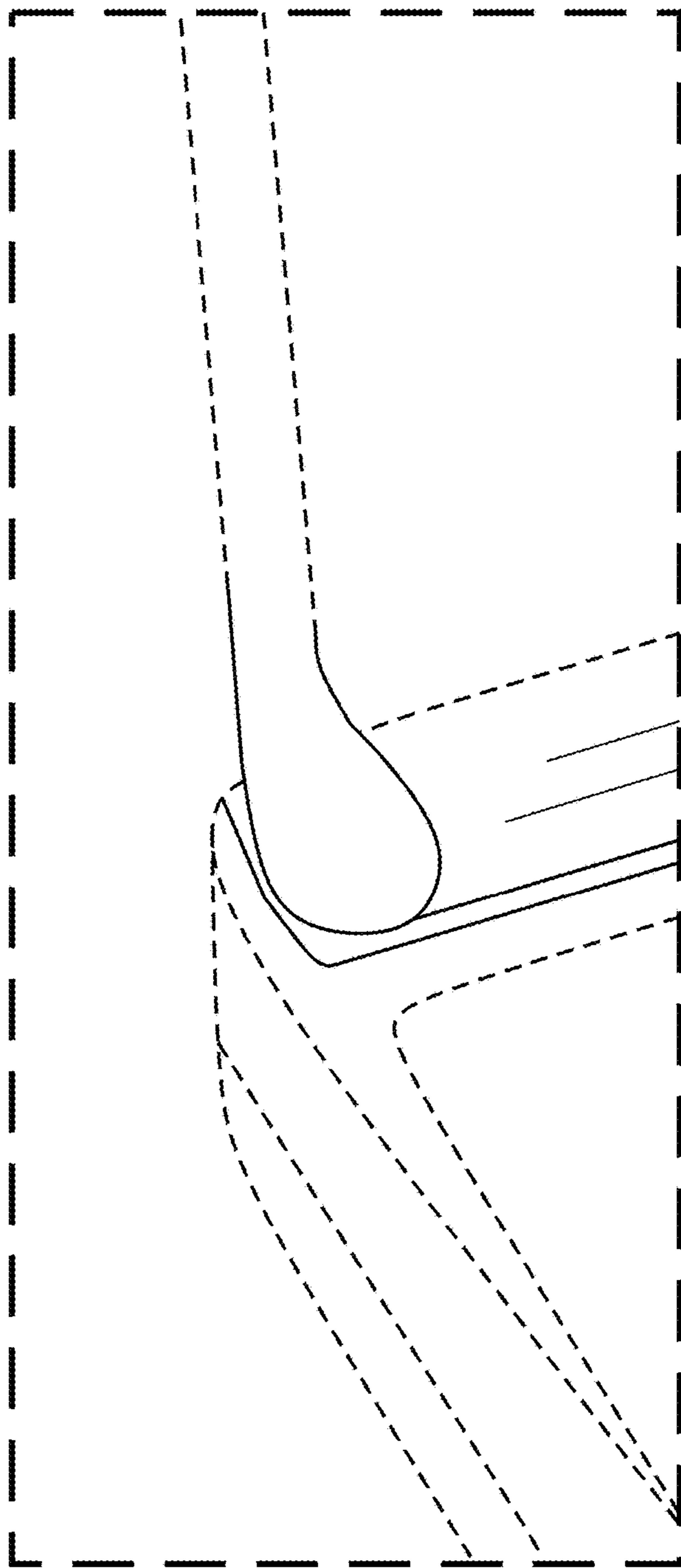


FIG. 8

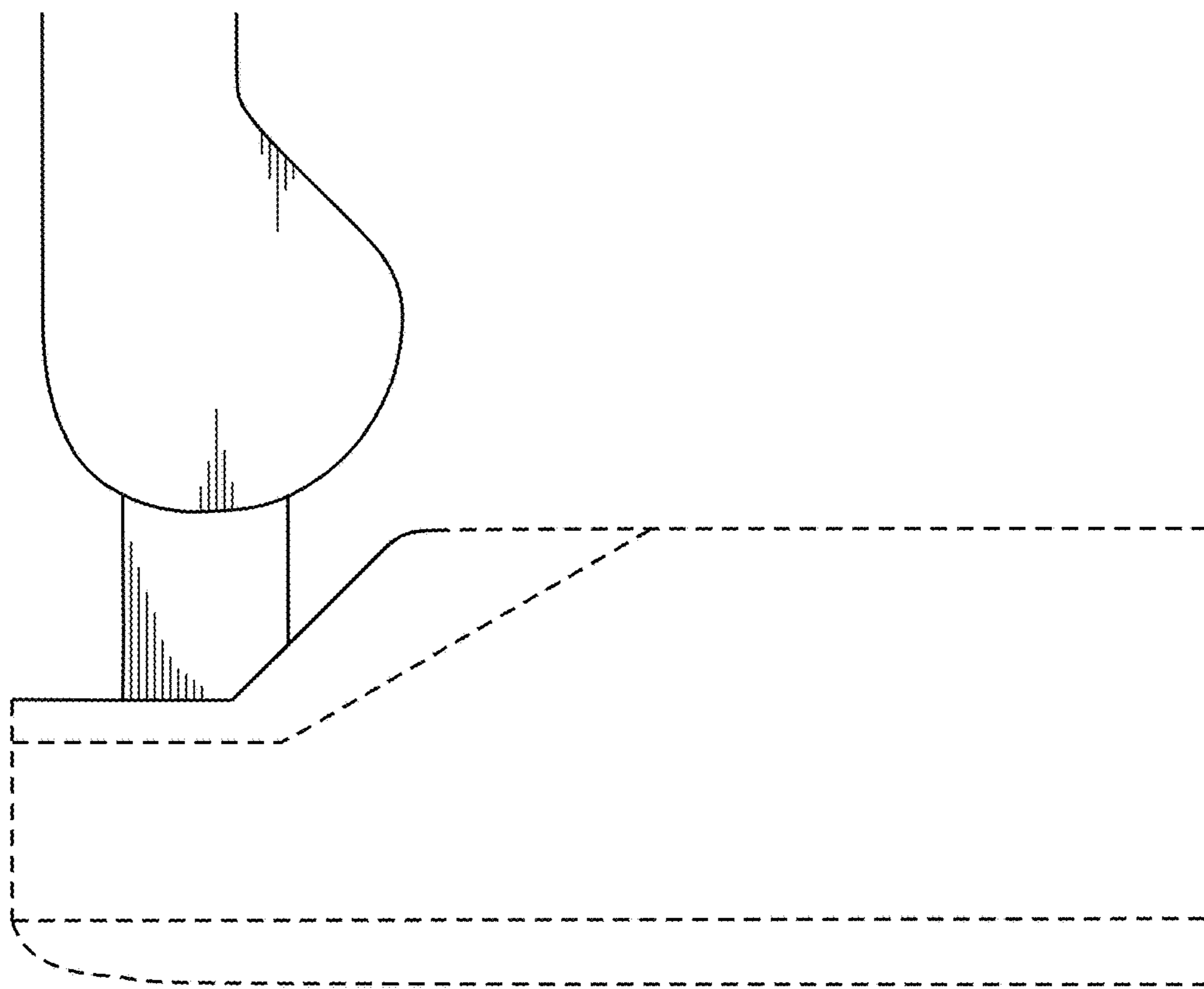


FIG. 9

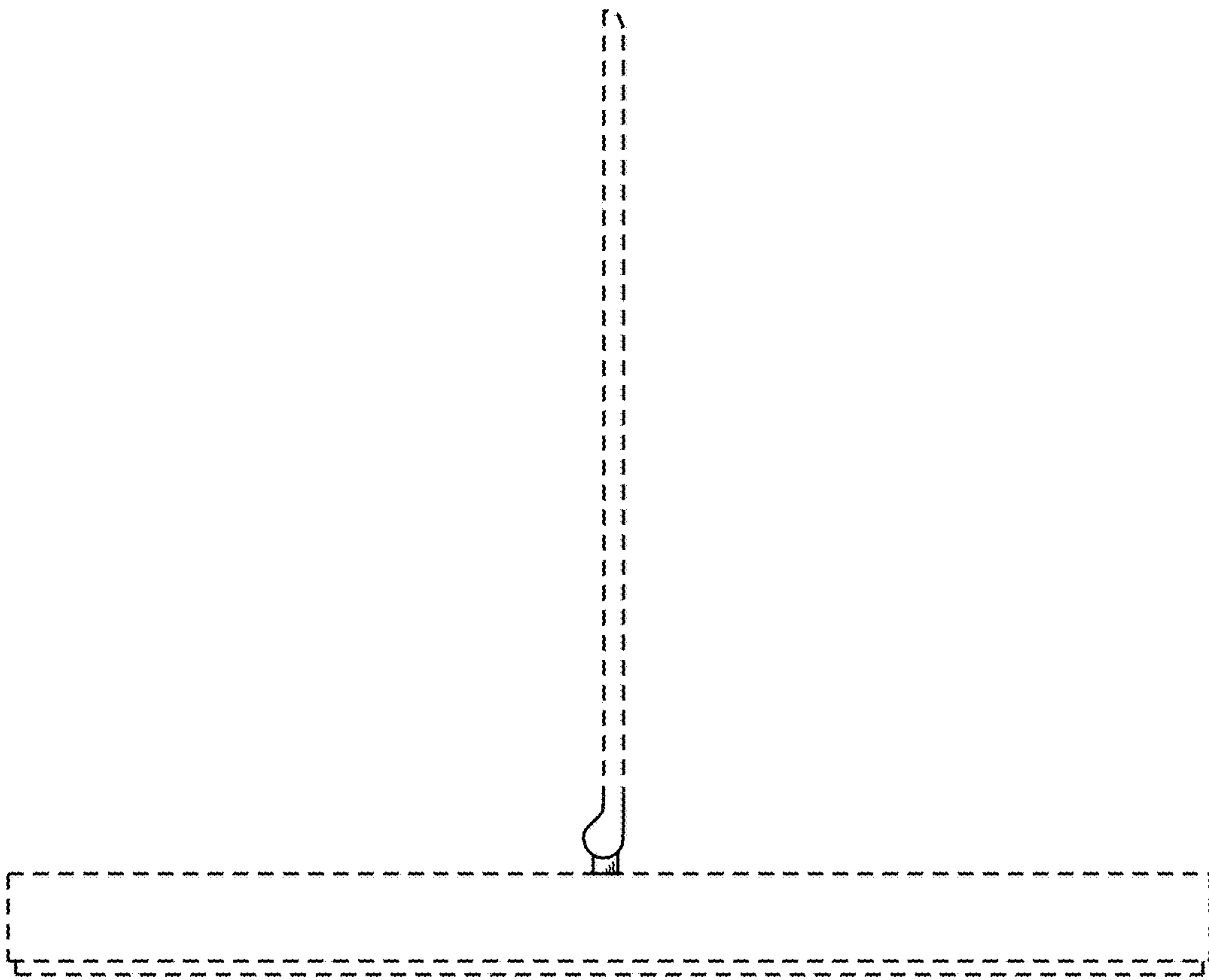


FIG. 10

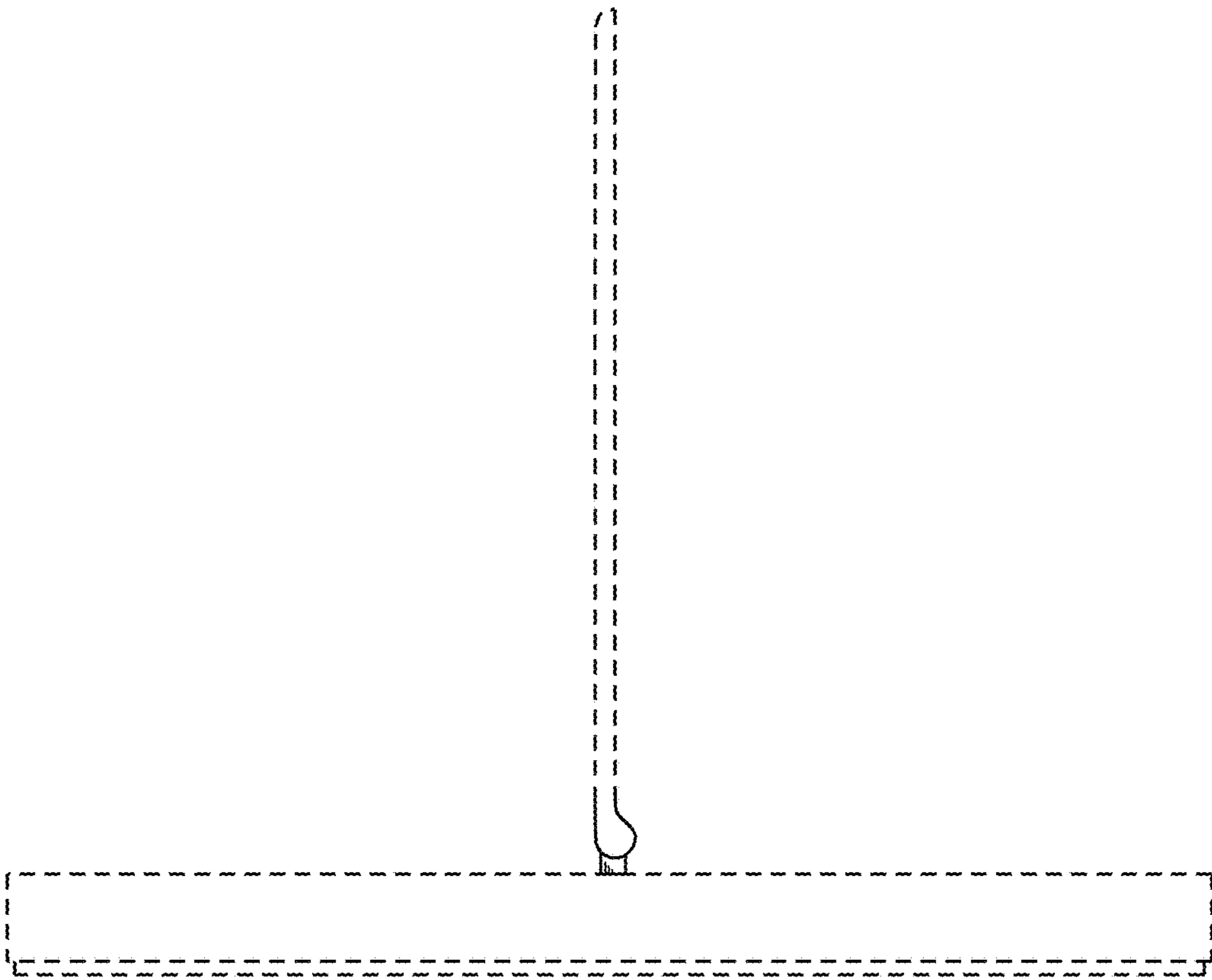
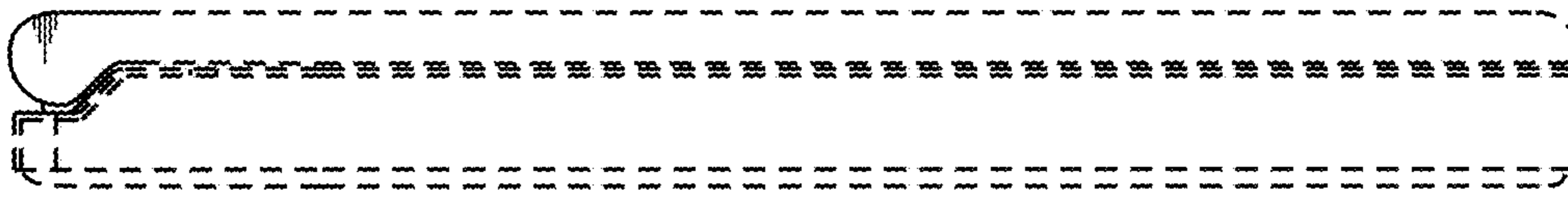


FIG. 11



1200
FIG. 12