



US00D863934S

(12) **United States Design Patent**  
**Sprague**

(10) **Patent No.:** **US D863,934 S**

(45) **Date of Patent:** **\*\* Oct. 22, 2019**

(54) **PUSH PAD EXIT DEVICE**

(71) Applicant: **C.R. Laurence Co., Inc.**, Los Angeles, CA (US)

(72) Inventor: **Gary Sprague**, Los Angeles, CA (US)

(73) Assignee: **C.R. LAURENCE CO., INC.**, Los Angeles, CA (US)

(\*\*) Term: **15 Years**

(21) Appl. No.: **29/654,057**

(22) Filed: **Jun. 20, 2018**

**Related U.S. Application Data**

(63) Continuation-in-part of application No. 15/956,241, filed on Apr. 18, 2018.

(51) **LOC (12) Cl.** ..... **08-06**

(52) **U.S. Cl.**  
USPC ..... **D8/315**

(58) **Field of Classification Search**  
USPC ..... D8/300, 315-319, 326, 331, 138, 149;  
D25/3, 48

(Continued)

(56) **References Cited**

**U.S. PATENT DOCUMENTS**

1,145,471 A \* 7/1915 Dobrick ..... B25G 1/10  
16/436

3,663,047 A 5/1972 Zawadzki  
(Continued)

**FOREIGN PATENT DOCUMENTS**

JP 2013213375 8/2000  
JP 3073659 10/2013

*Primary Examiner* — Janice Hallmark

*Assistant Examiner* — Harold E Blackwell, II

(74) *Attorney, Agent, or Firm* — Cislo & Thomas, LLP

(57) **CLAIM**

The ornamental design for a push pad exit device, as shown and described.

**DESCRIPTION**

FIG. 1 is a front perspective view of the push pad exit device.

FIG. 2 is a rear perspective view of the push pad exit device of FIG. 1.

FIG. 3 a front view of the push pad exit device of FIG. 1.

FIG. 4 is a rear view of the push pad exit device of FIG. 1.

FIG. 5 is a left side view of the push pad exit device of FIG. 1.

FIG. 6 is a right side view of the push pad exit device of FIG. 1.

FIG. 7 is a top view of the push pad exit device of FIG. 1.

FIG. 8 is a bottom view of the push pad exit device of FIG. 1.

FIG. 9 is a front perspective view of an alternative embodiment of the push pad exit device.

FIG. 10 is a rear perspective view of the push pad exit device of FIG. 9.

FIG. 11 a front view of the push pad exit device of FIG. 9.

FIG. 12 is a rear view of the push pad exit device of FIG. 9.

FIG. 13 is a left side view of the push pad exit device of FIG. 9.

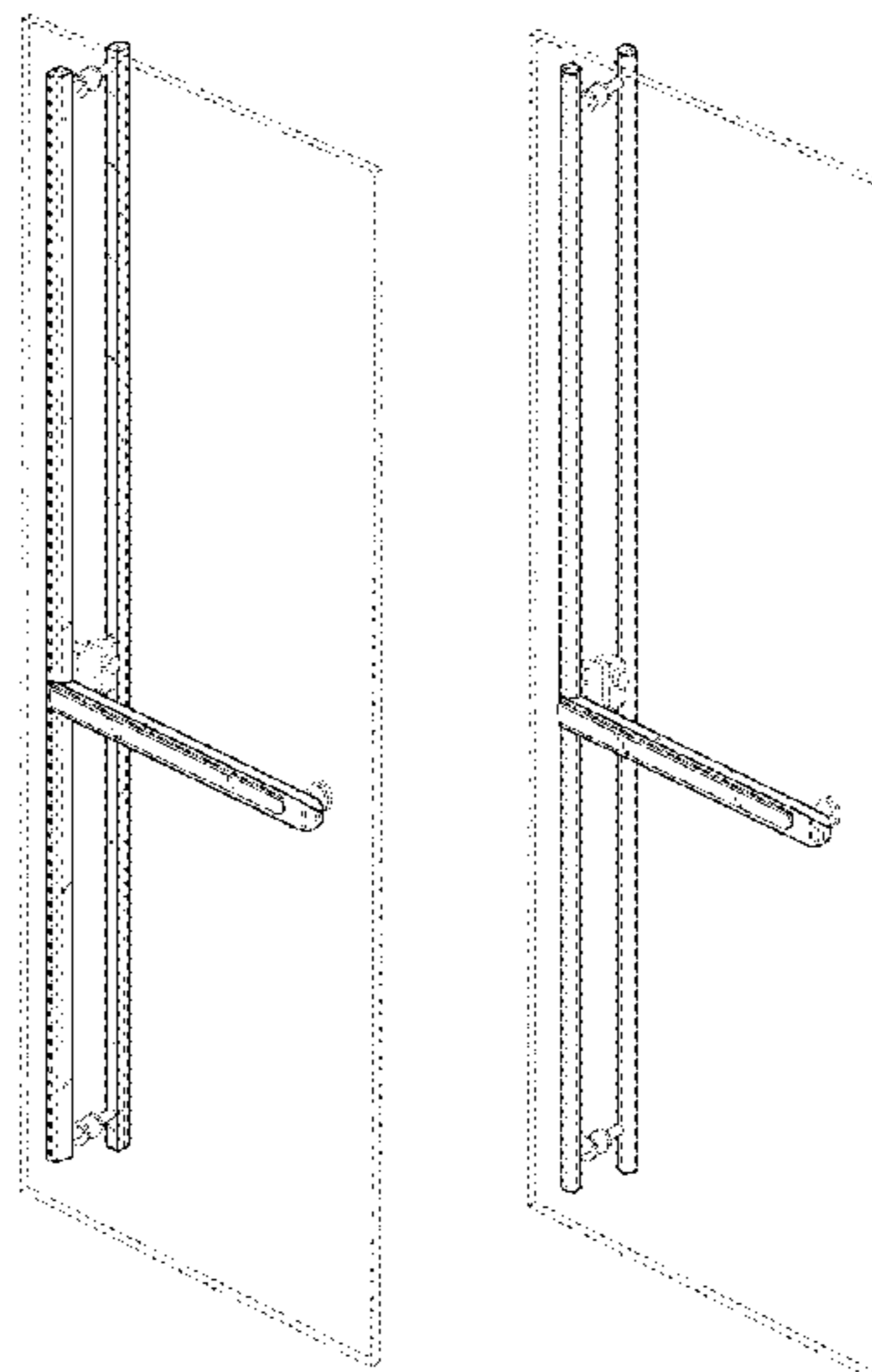
FIG. 14 is a right side view of the push pad exit device of FIG. 9.

FIG. 15 is a top view of the push pad exit device of FIG. 9; and,

FIG. 16 is a bottom view of the push pad exit device of FIG. 9.

The broken lines are for environmental purposes only and form no portion of the claimed design.

**1 Claim, 14 Drawing Sheets**



# US D863,934 S

Page 2

(58) **Field of Classification Search**

CPC ..... E05B 1/0015; E05B 65/0025; Y10T  
292/0908

See application file for complete search history.

(56) **References Cited**

U.S. PATENT DOCUMENTS

D223,902 S \* 6/1972 Kuniandy ..... D25/48.3  
D226,556 S \* 3/1973 Horgan, Jr. .... D25/48.3  
D226,654 S \* 4/1973 Horgan, Jr. .... D25/48.3  
D229,551 S \* 12/1973 Horgan, Jr. .... D25/48.3  
D267,274 S \* 12/1982 Horgan, Jr. .... D25/48.3  
D267,275 S \* 12/1982 Horgan, Jr. .... D25/48.3  
D267,276 S \* 12/1982 Horgan, Jr. .... D25/48.3  
4,366,974 A 1/1983 Horgan, Jr.  
4,382,620 A \* 5/1983 Horgan, Jr. .... E05B 65/106  
292/336.3  
4,418,949 A \* 12/1983 Horgan, Jr. .... E05B 65/106  
292/336.3  
4,506,922 A 3/1985 Horgan, Jr.  
4,711,480 A 12/1987 Horgan, Jr.  
4,895,399 A 1/1990 Horgan, Jr.  
D332,905 S \* 2/1993 Dannenberg ..... D8/315

D377,596 S \* 1/1997 Simon ..... D8/315  
5,615,918 A \* 4/1997 Ferrell ..... E05B 1/0015  
292/336.3  
D384,569 S \* 10/1997 Simon ..... D8/305  
D444,241 S \* 6/2001 Horgan, Jr. .... D25/48.3  
6,463,628 B1 \* 10/2002 Yeh ..... E05B 1/0015  
16/412  
6,511,104 B1 1/2003 Horgan, Jr.  
6,820,905 B1 11/2004 Haeck et al.  
7,347,461 B2 \* 3/2008 Sprague ..... E05B 1/00  
200/61.62  
7,849,718 B2 \* 12/2010 Ambrass ..... E05B 1/0015  
292/167  
7,887,107 B2 2/2011 Shen  
D725,457 S \* 3/2015 Sprague ..... D8/315  
9,074,413 B1 \* 7/2015 Sprague ..... E06B 3/5821  
D779,304 S \* 2/2017 Hardy ..... D8/319  
9,580,944 B2 2/2017 Arlinghaus et al.  
2004/0094973 A1 5/2004 Sprague  
2005/0060844 A1 \* 3/2005 Chiang ..... E05B 1/0015  
16/412  
2013/0305490 A1 \* 11/2013 Sprague ..... E05B 65/0025  
16/412  
2017/0218662 A1 8/2017 Thompson et al.

\* cited by examiner

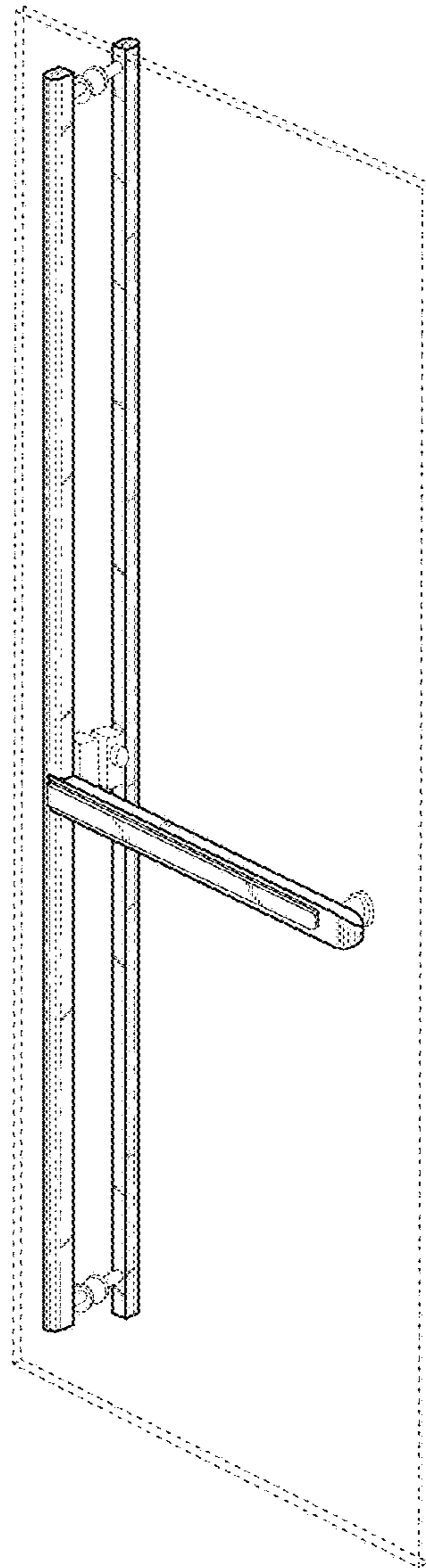


Fig. 1

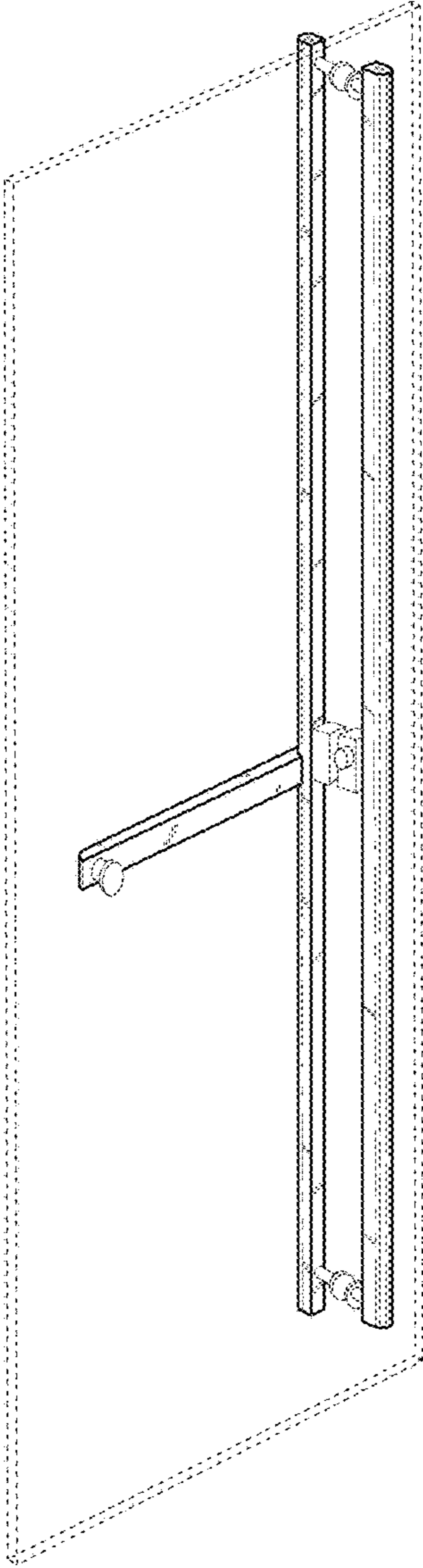


Fig. 2

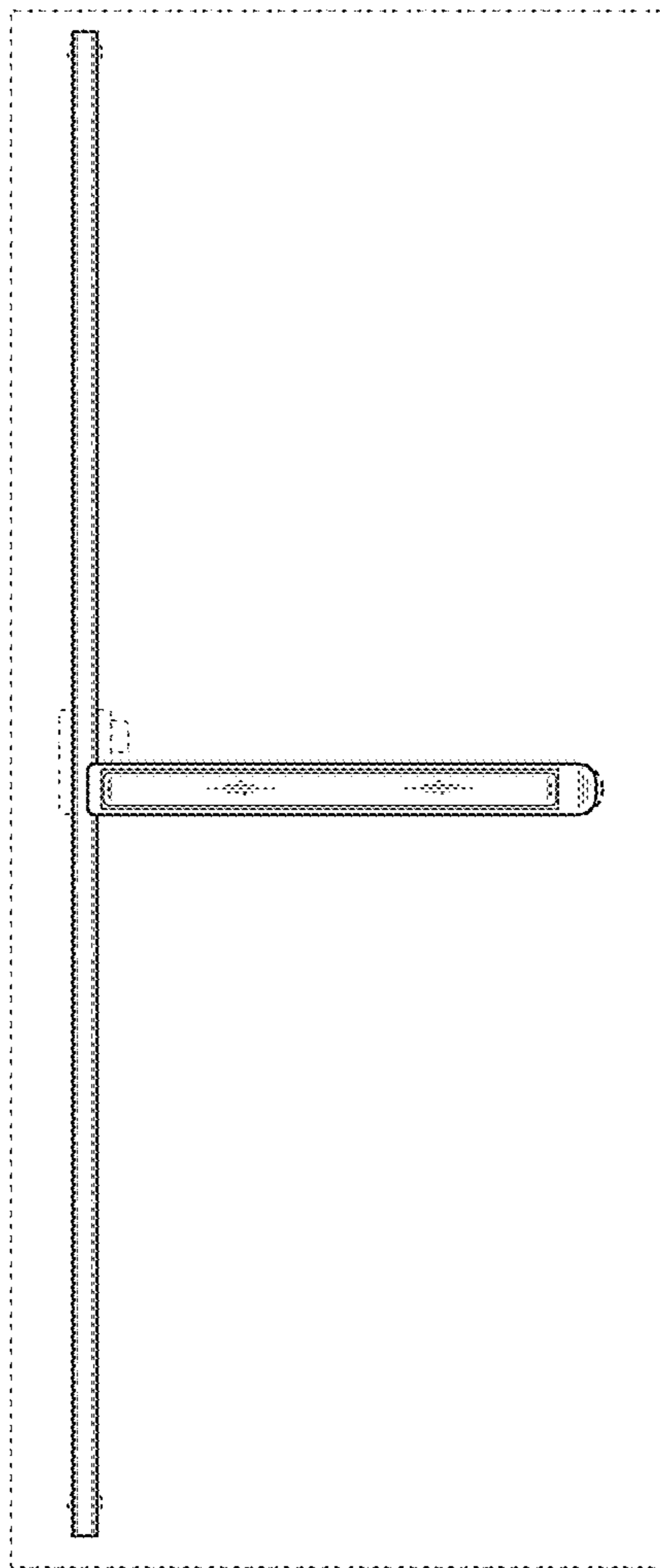


Fig. 3

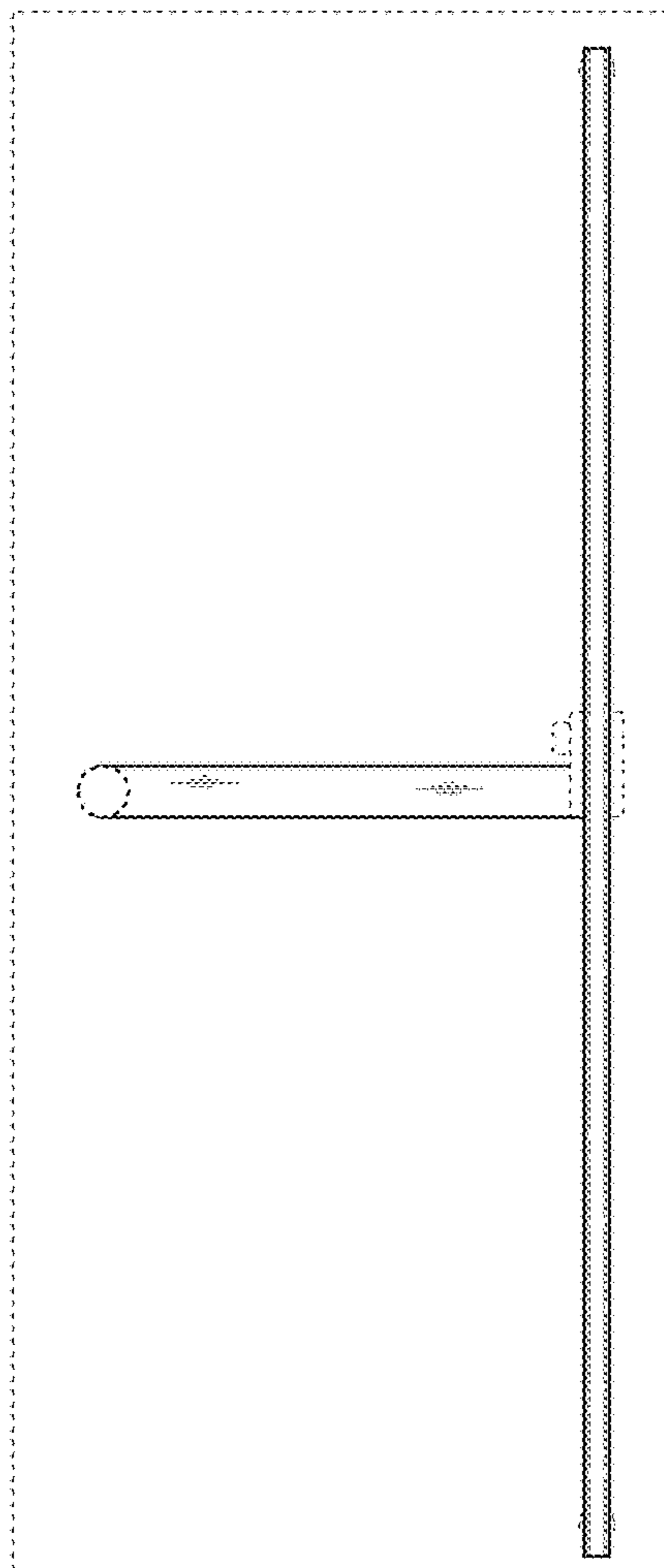


Fig. 4

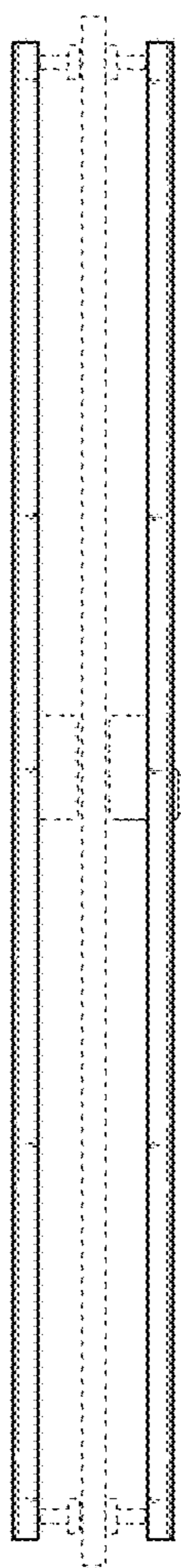


Fig. 5



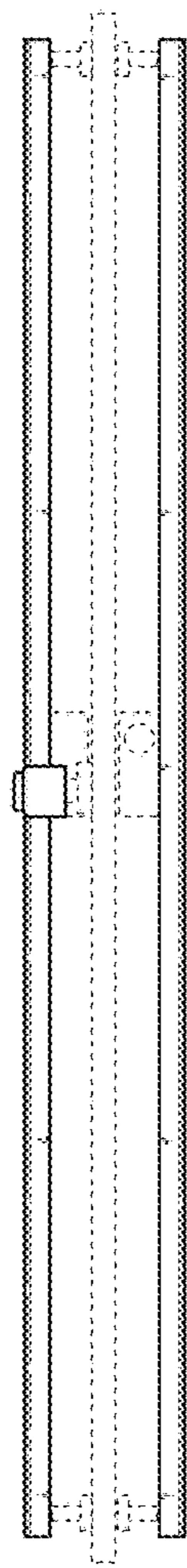


Fig. 6



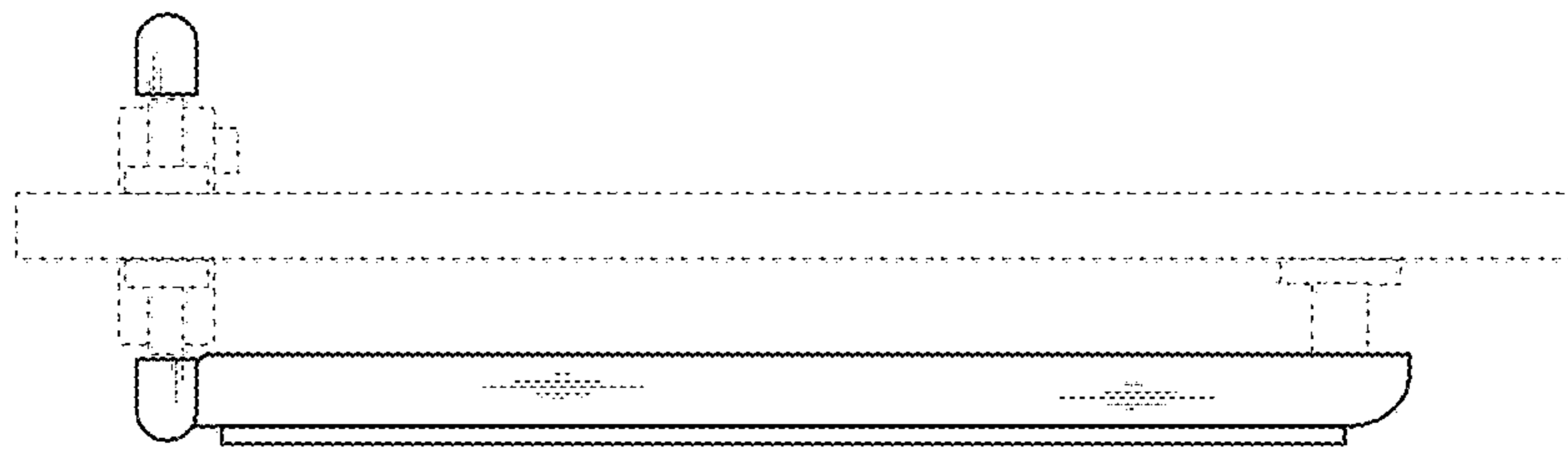


Fig. 7

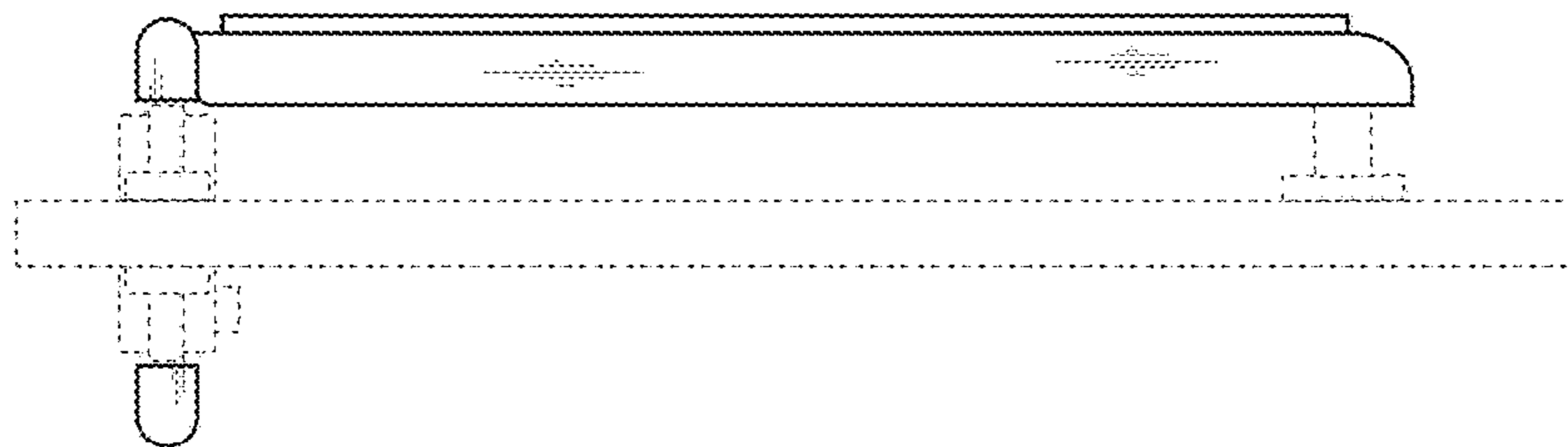


Fig. 8

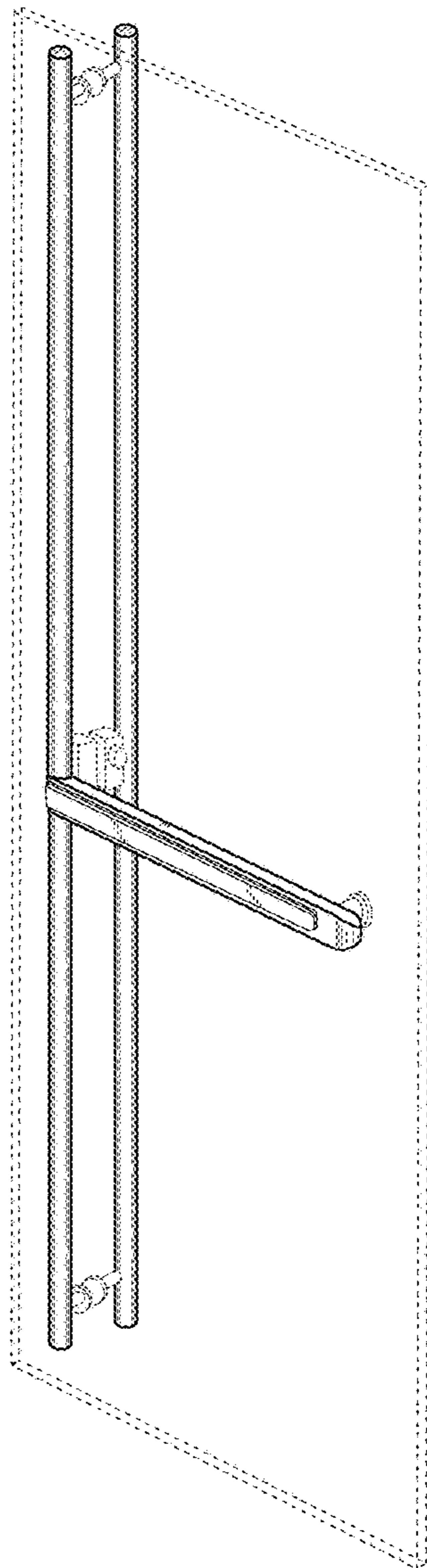


Fig. 9

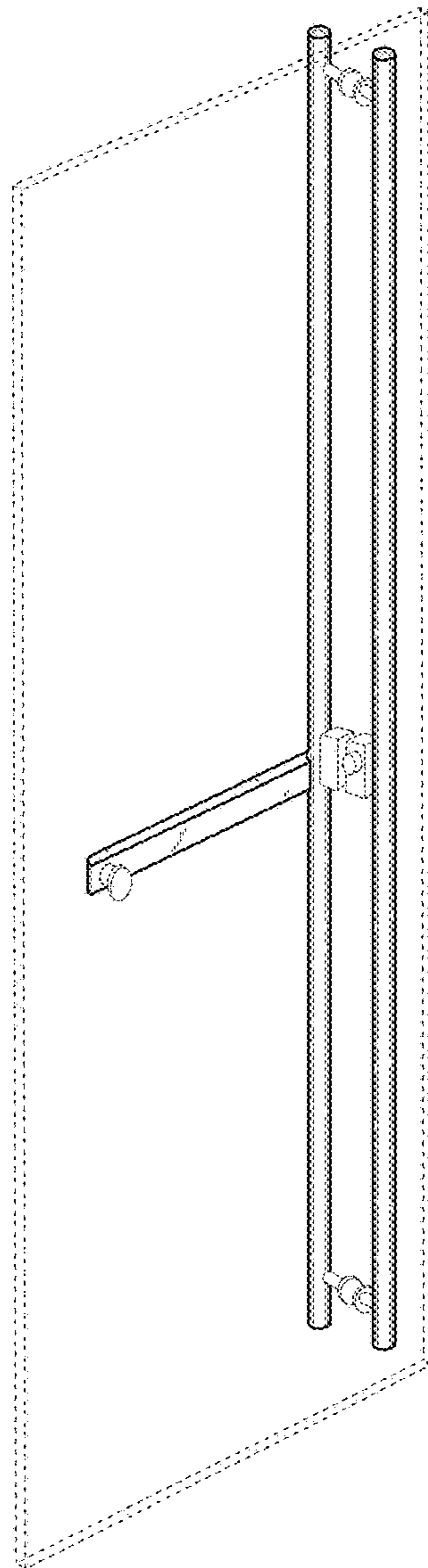


Fig. 10

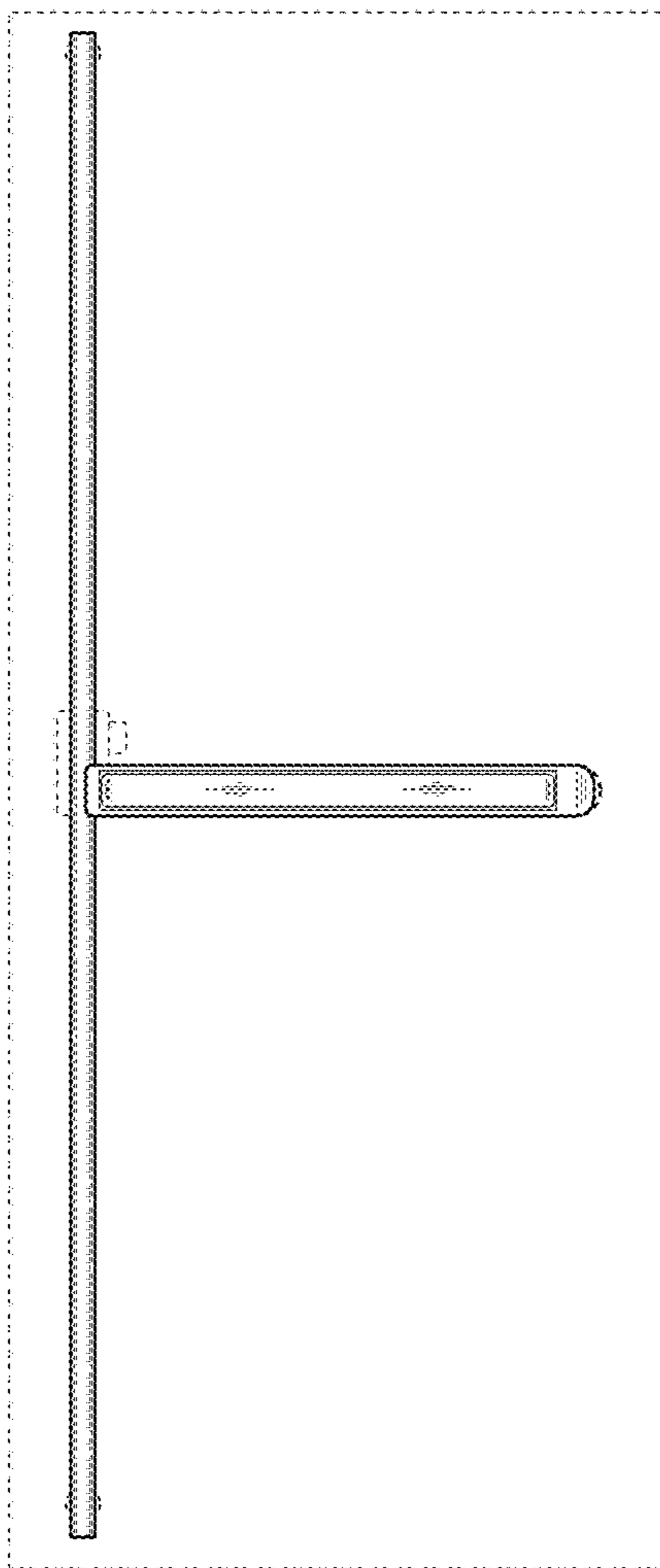


Fig.11

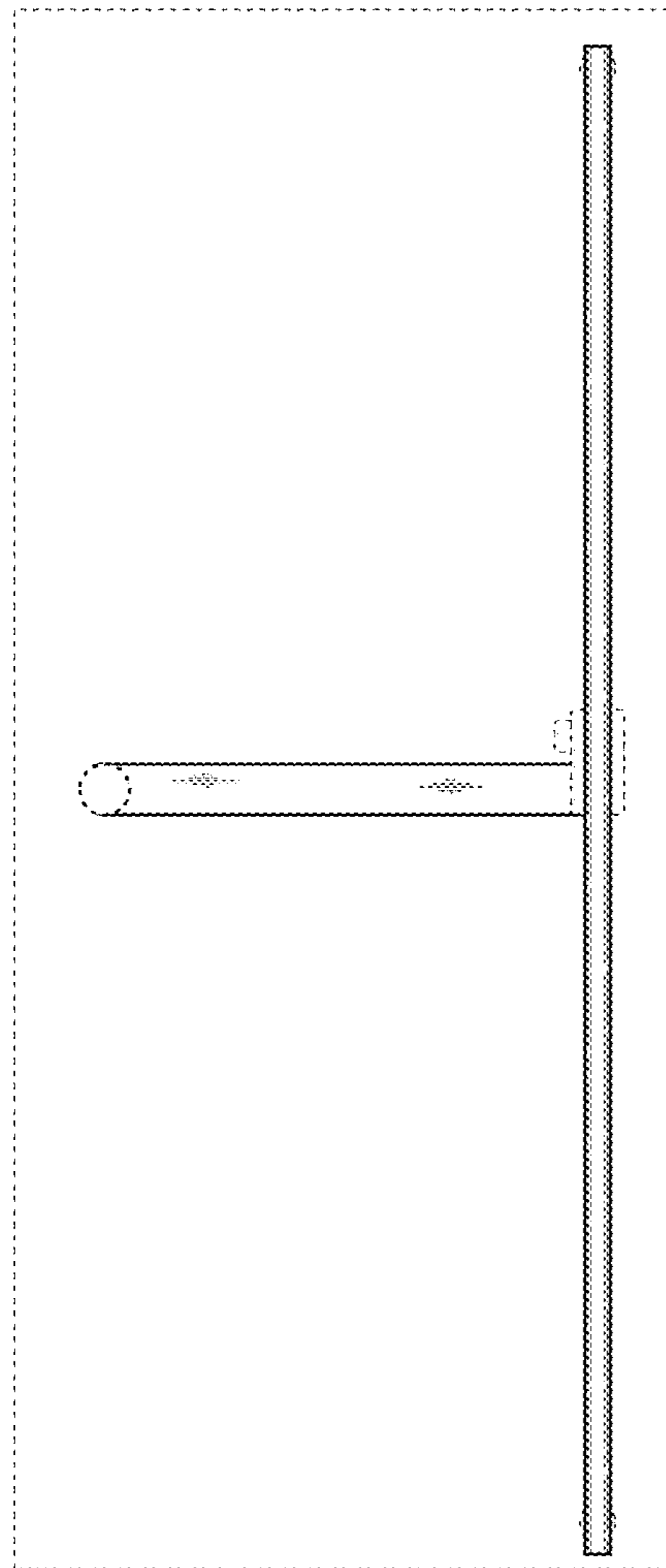


Fig. 12

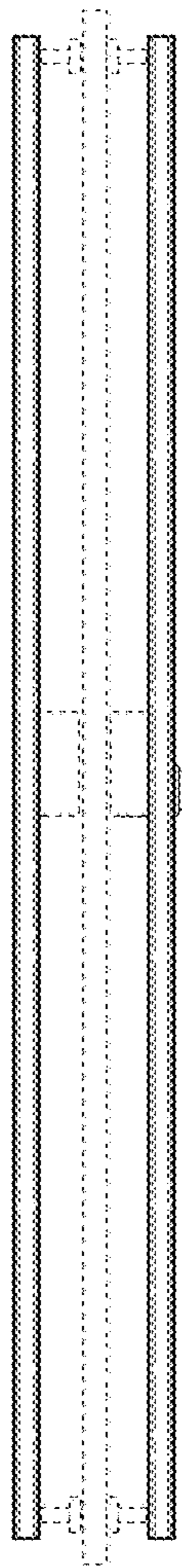


Fig. 13

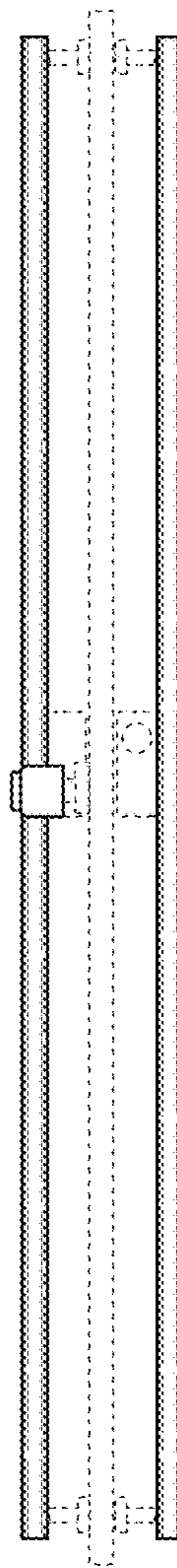


Fig. 14



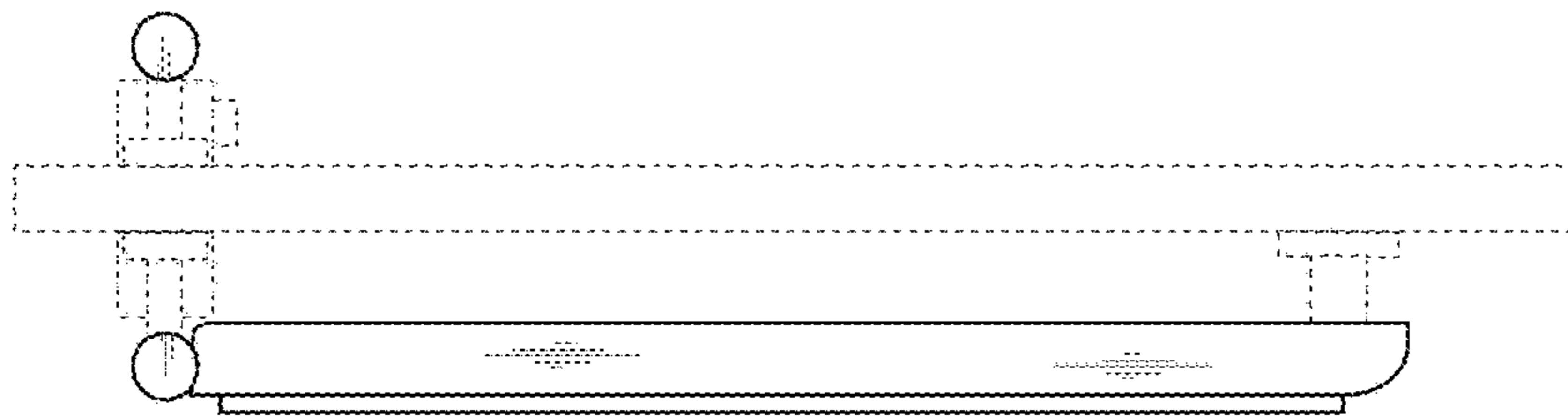


Fig. 15

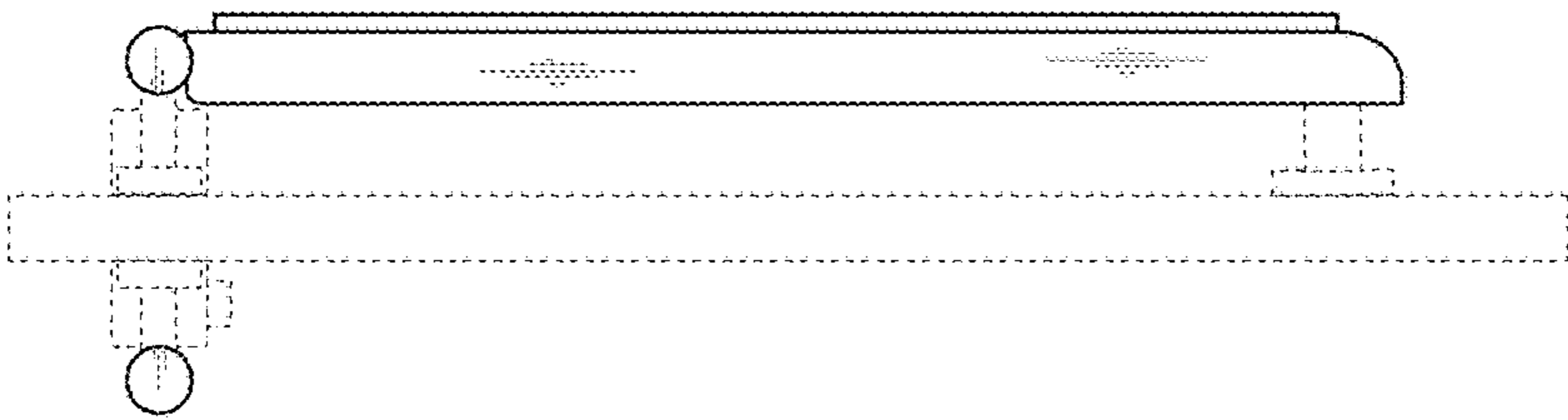


Fig. 16