



US00D863933S

(12) **United States Design Patent**
Czerwonka et al.

(10) **Patent No.:** **US D863,933 S**
(45) **Date of Patent:** **** Oct. 22, 2019**

- (54) **LATCH HANDLE**
- (71) Applicant: **Harley-Davidson Motor Company Group, LLC, Milwaukee, WI (US)**
- (72) Inventors: **Adam F. Czerwonka, Mukwonago, WI (US); Kevin R. Krueger, Nashotah, WI (US)**
- (73) Assignee: **Harley-Davidson Motor Company Group, LLC, Milwaukee, WI (US)**
- (**) Term: **15 Years**

D144,446 S *	4/1946	Black	D8/303
D371,290 S *	7/1996	Ozark	D8/307
5,667,232 A	9/1997	Gogan et al.	
5,738,394 A *	4/1998	Arabia, Jr.	E05B 77/265 292/216
6,345,846 B1 *	2/2002	DeRees	E05B 83/243 292/241
6,347,804 B1	2/2002	Seibel	
6,443,344 B1	9/2002	Nicosia et al.	
D670,991 S *	11/2012	Steinhobel	D8/107
D782,274 S *	3/2017	Herrick	D8/330
D844,409 S *	4/2019	Breeden, III	D8/303
2013/0192429 A1 *	8/2013	Cripps	B25B 7/123 81/319
2015/0114279 A1 *	4/2015	Metcalf	B63B 35/816 114/343

- (21) Appl. No.: **29/609,153**
- (22) Filed: **Jun. 28, 2017**
- (51) **LOC (12) Cl.** **08-06**
- (52) **U.S. Cl.**
USPC **D8/303; D8/331**
- (58) **Field of Classification Search**
USPC D8/307, 308, 331, 343, 394, 395, 398;
D12/114, 115
CPC Y10T 74/20612; Y10T 74/2014; Y10T
74/20696; Y10T 74/20396; Y10T 74/206;
Y10T 74/20618; Y10T 74/19251; Y10T
74/2011; Y10T 29/49826; Y10T
74/20213; Y10T 74/20822; Y10S 292/27;
Y10S 292/53; Y10S 292/14; Y10S
292/30; Y10S 292/23; Y10S 292/05;
Y10S 292/36; Y10S 292/54; Y10S
292/64; Y10S 70/73
See application file for complete search history.

(56) **References Cited**
U.S. PATENT DOCUMENTS

1,885,713 A * 11/1932 Hammerly H01H 85/24
292/128
D123,261 S * 10/1940 Foster D8/313
D139,259 S * 10/1944 Turnbull D8/302

(Continued)

Primary Examiner — Lauren R Calve
(74) *Attorney, Agent, or Firm* — Michael Best & Friedrich LLP

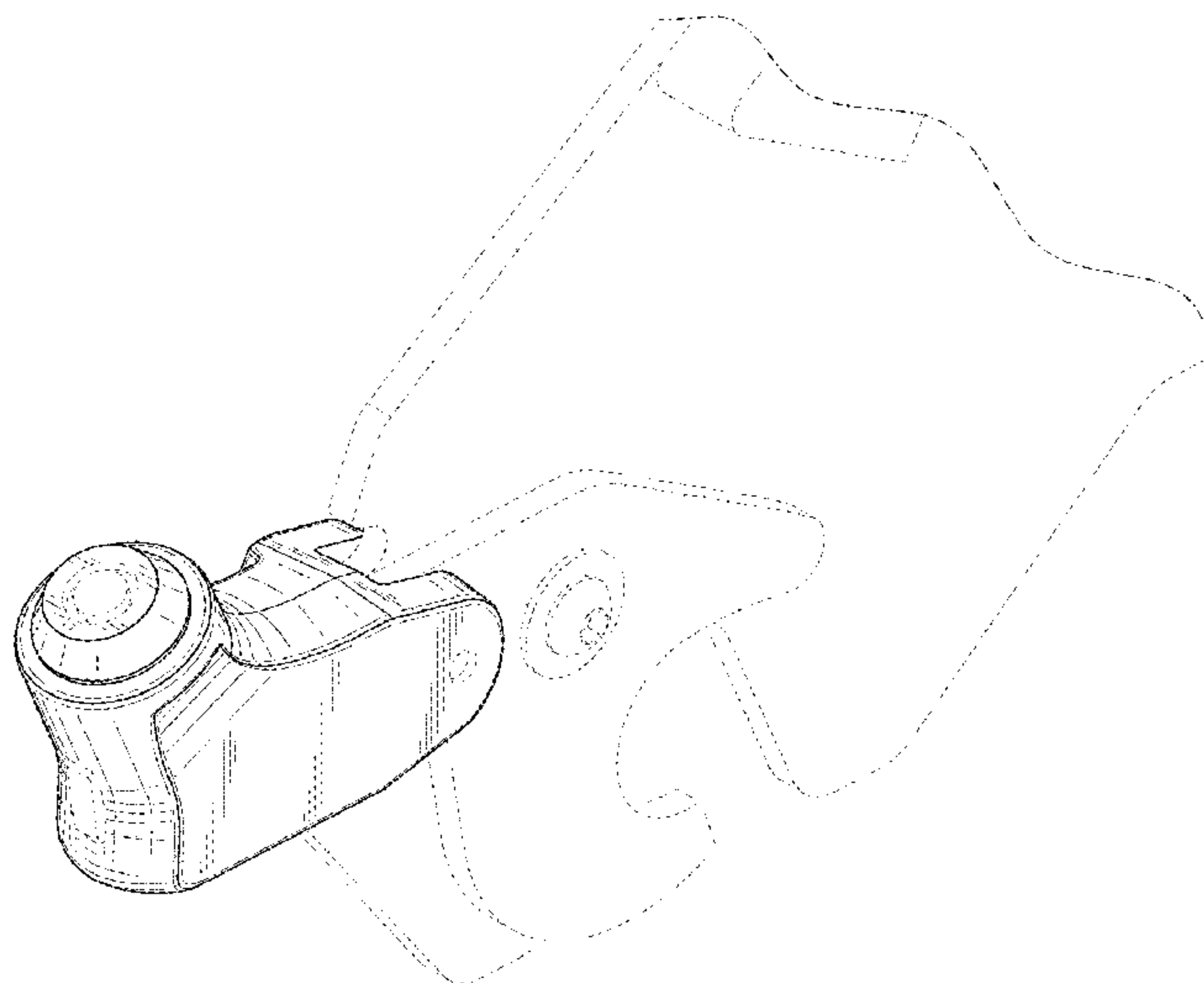
(57) **CLAIM**

We claim the ornamental design for a latch handle, as shown and described.

DESCRIPTION

FIG. 1 is a front perspective view of a latch handle showing our new design in an environmental use.
FIG. 2 is a rear perspective view of the latch handle of FIG. 1.
FIG. 3 is a front view of the latch handle.
FIG. 4 is a rear view of the latch handle of FIG. 3.
FIG. 5 is a top view of the latch handle of FIG. 3.
FIG. 6 is a bottom view of the latch handle of FIG. 3.
FIG. 7 is a right side view of the latch handle of FIG. 3; and, FIG. 8 is a left side view of the latch handle of FIG. 3.
In the drawings, the evenly-spaced broken lines depict environmental subject matter only that forms no part of the claim; the dash-dot-dash lines represent boundaries of the claimed design and form no part thereof.

1 Claim, 5 Drawing Sheets



(56)

References Cited

U.S. PATENT DOCUMENTS

2015/0203165 A1 7/2015 Bunyer et al.
2018/0085807 A1* 3/2018 Morgan B21D 5/0209

* cited by examiner

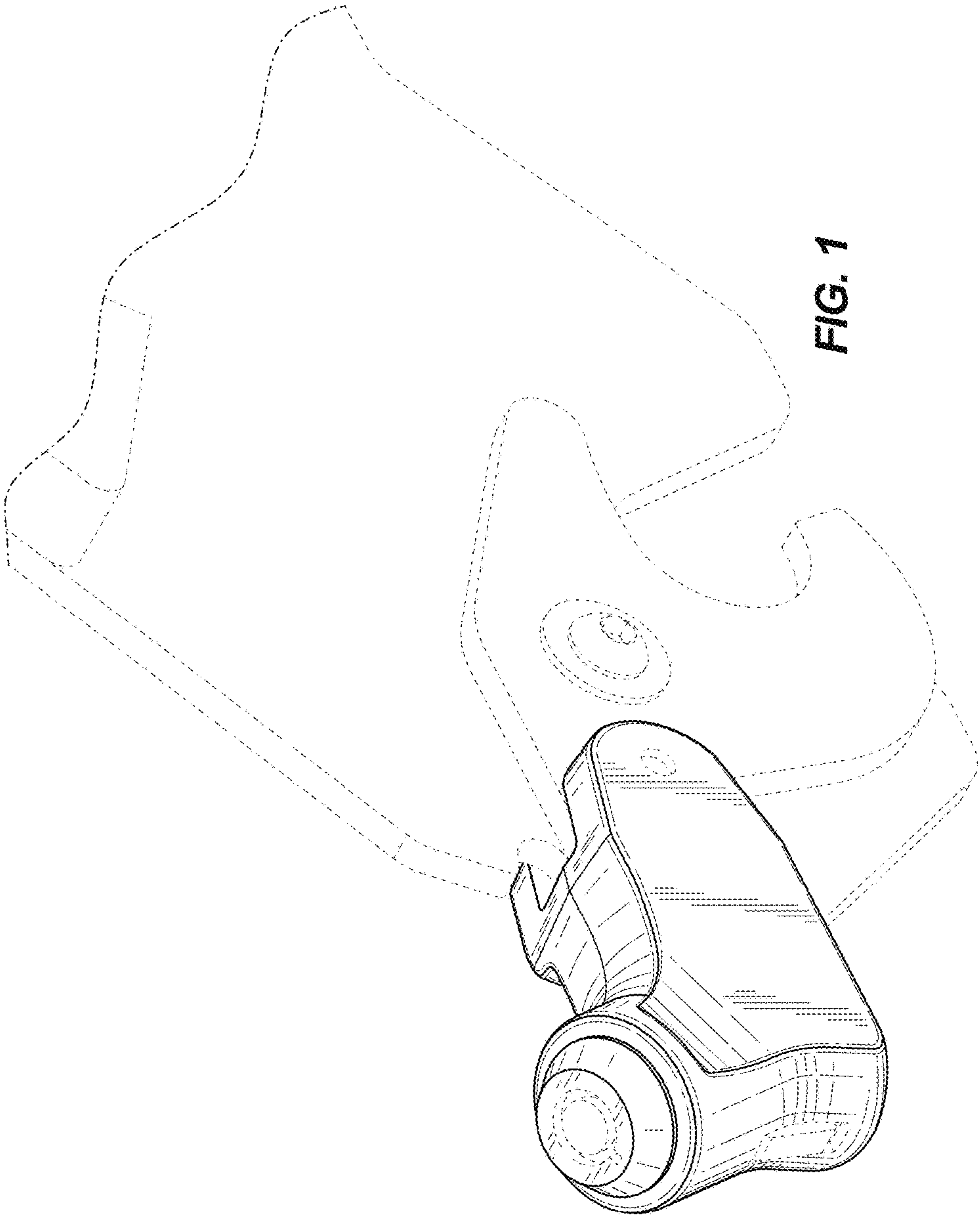


FIG. 1

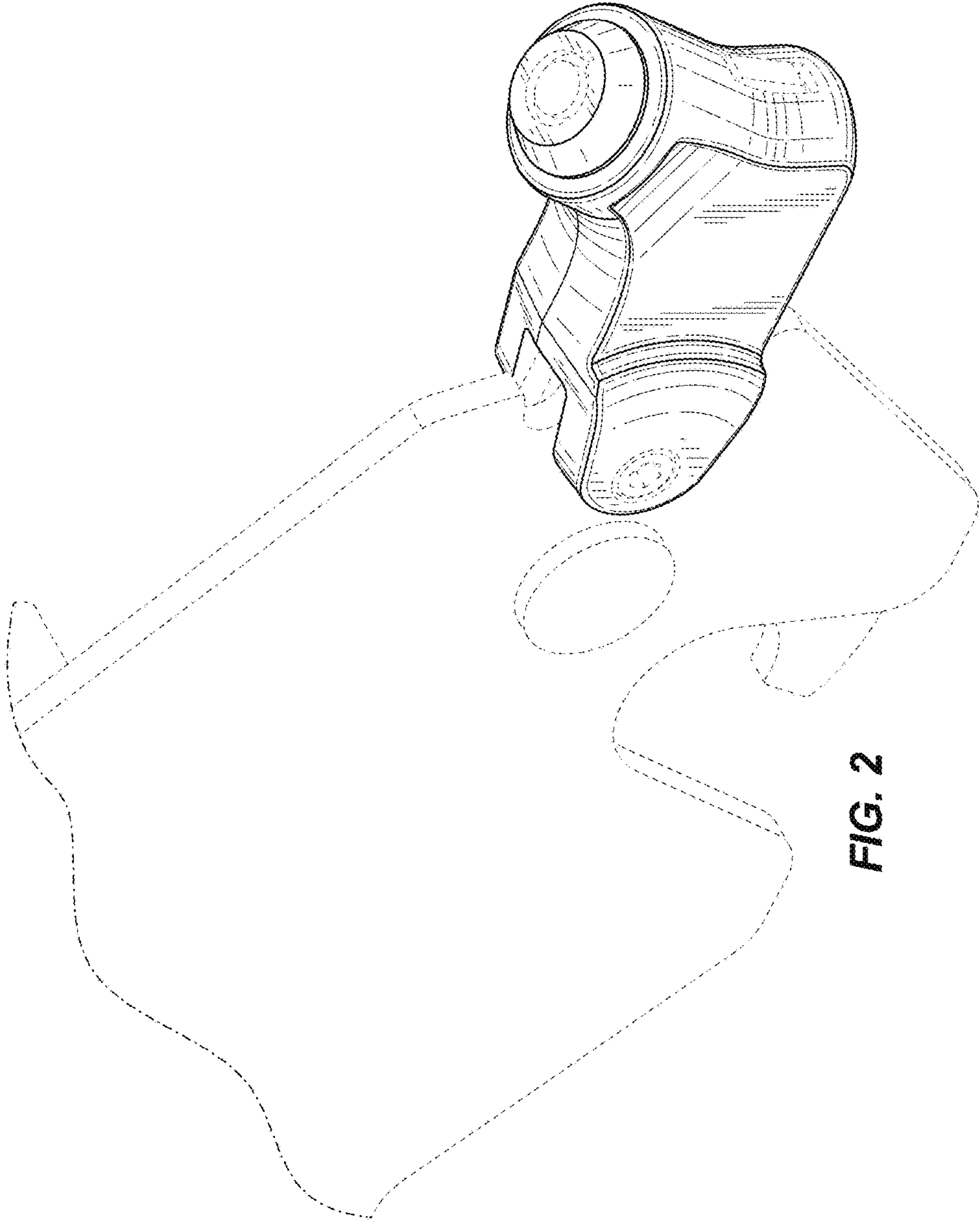


FIG. 2

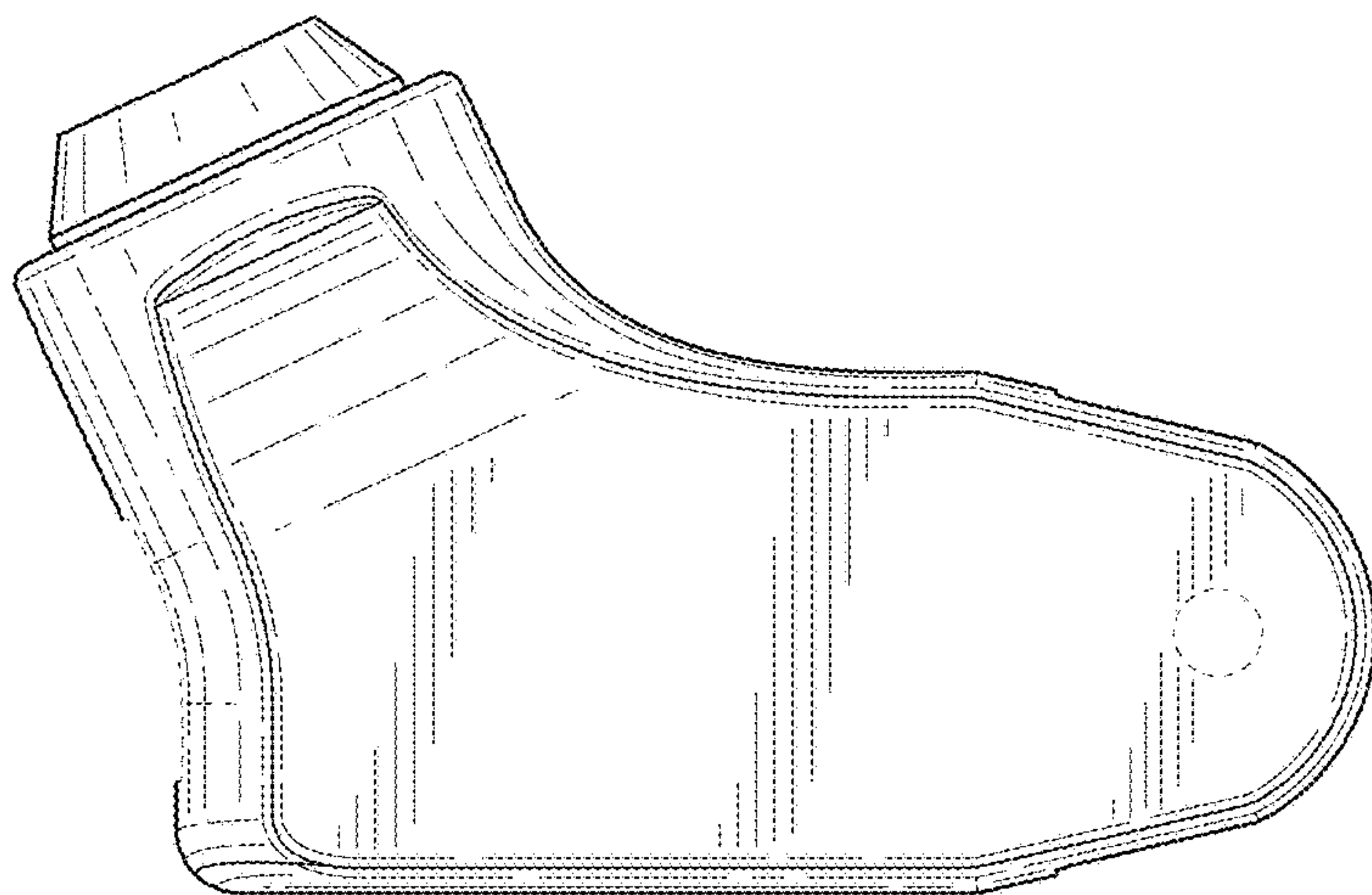


FIG. 3

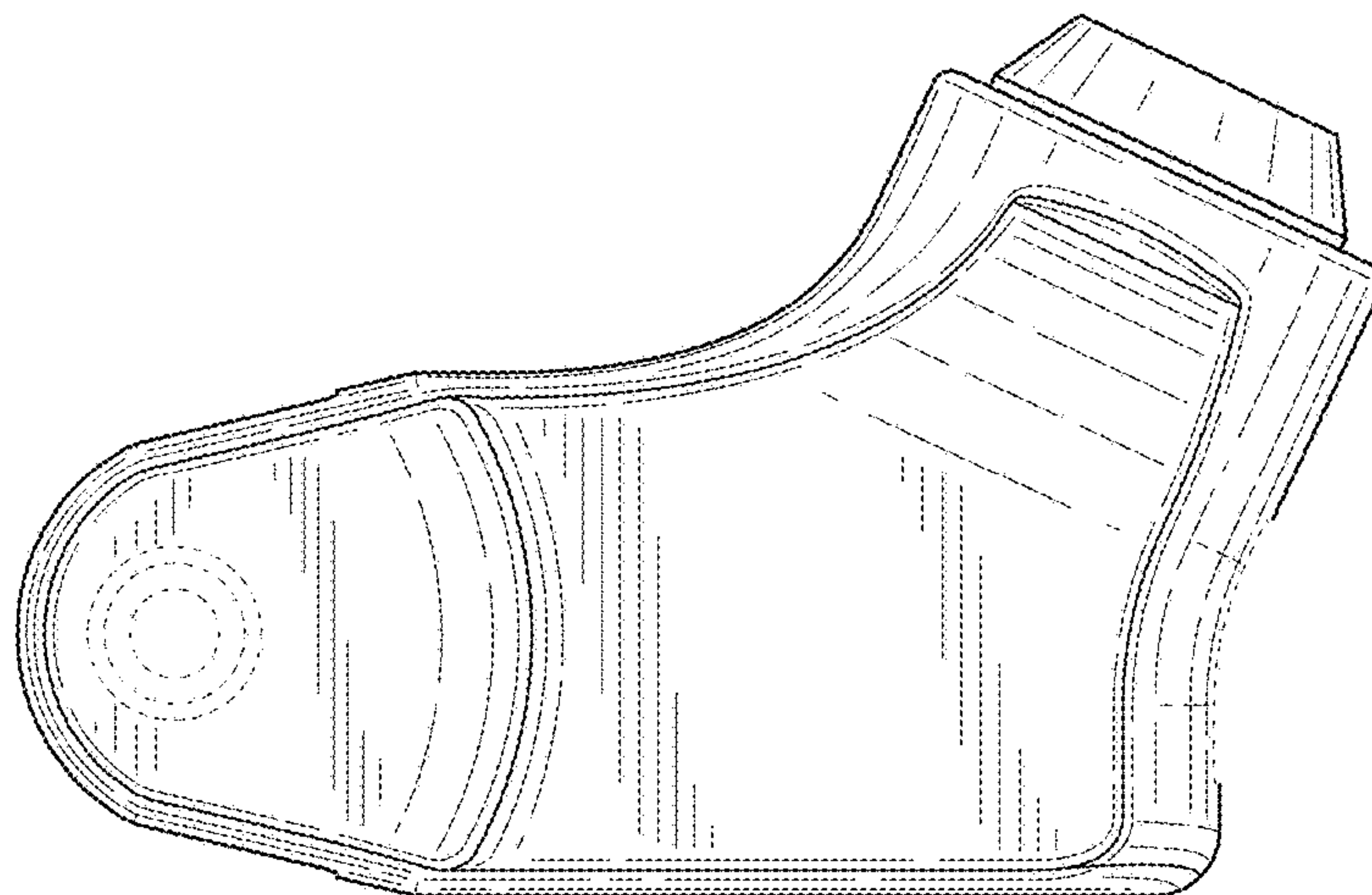


FIG. 4

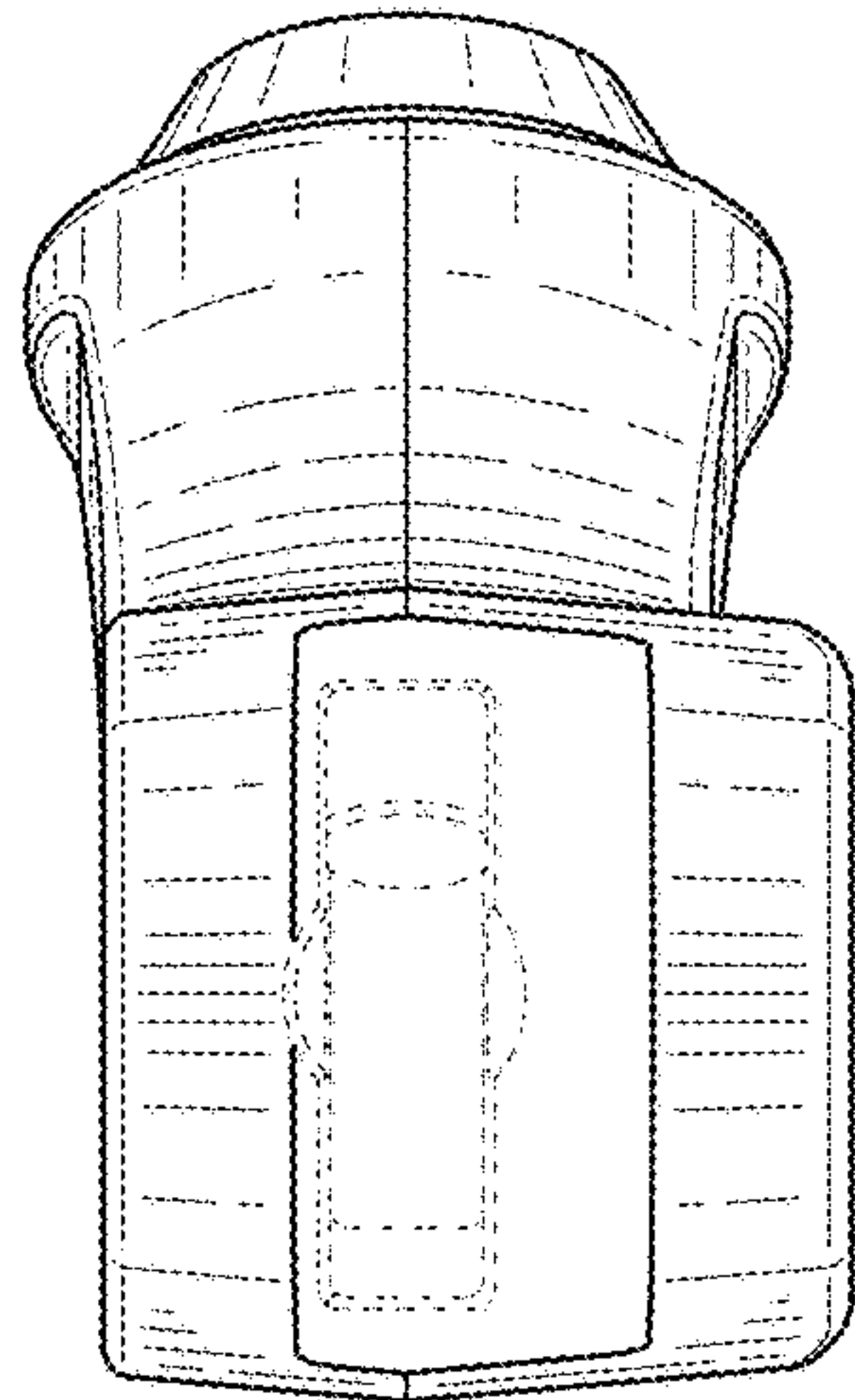


FIG. 7

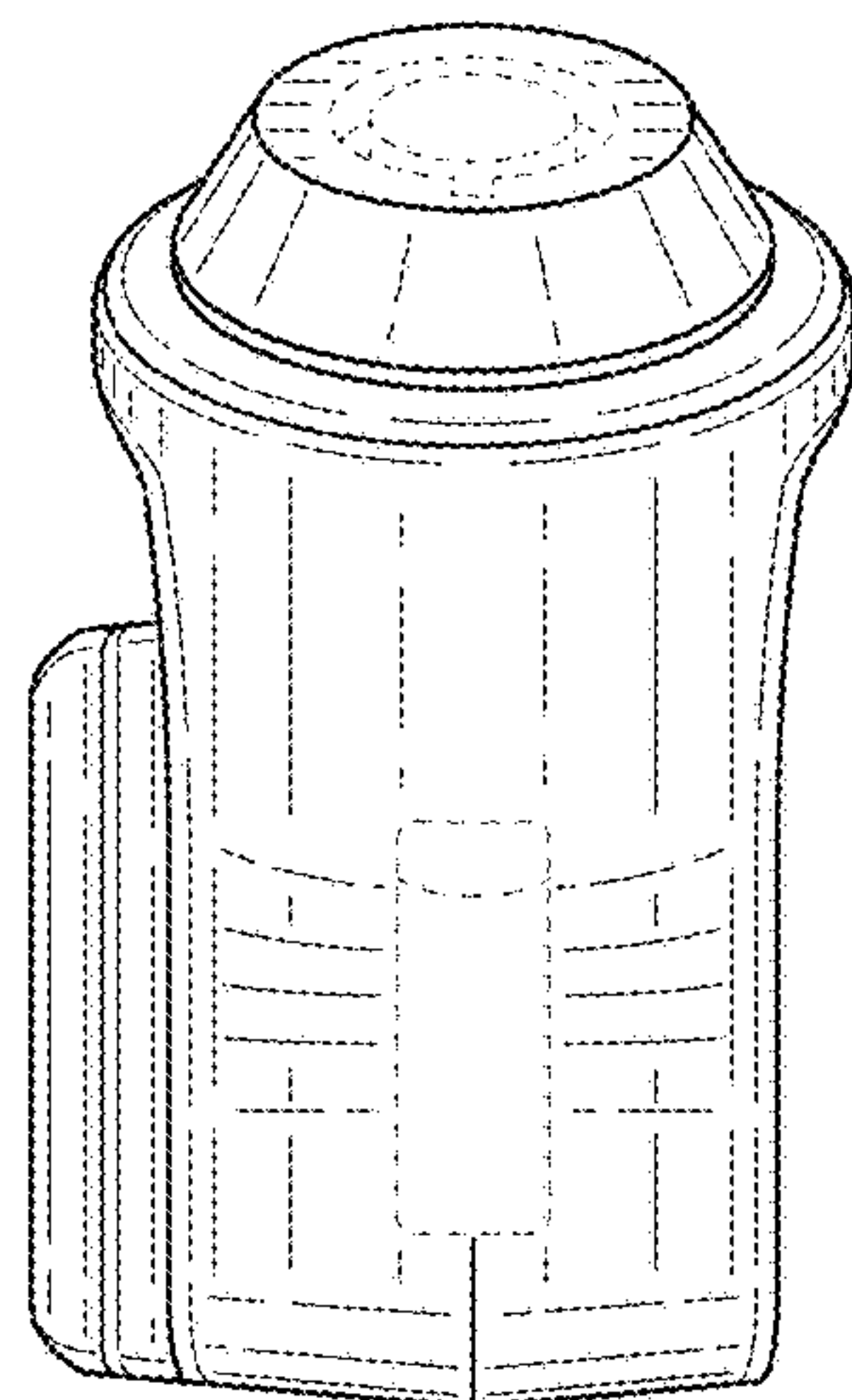


FIG. 8

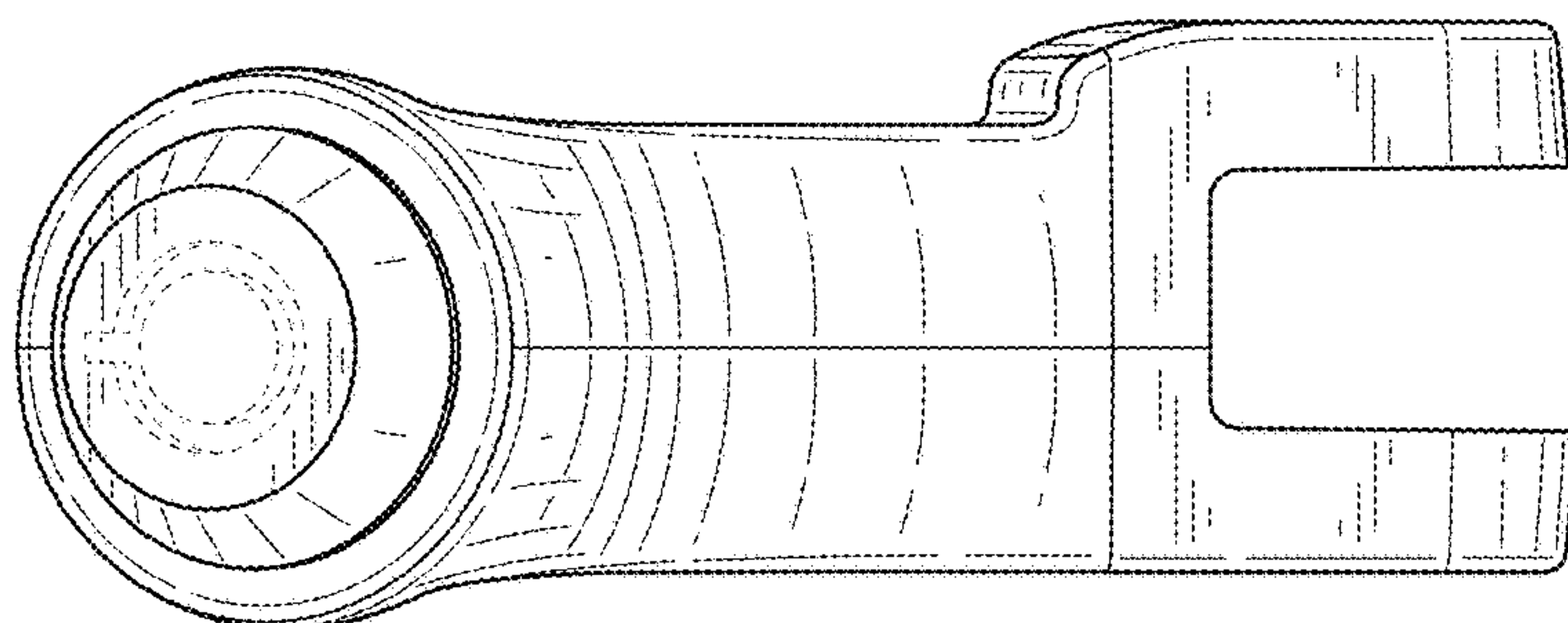


FIG. 5

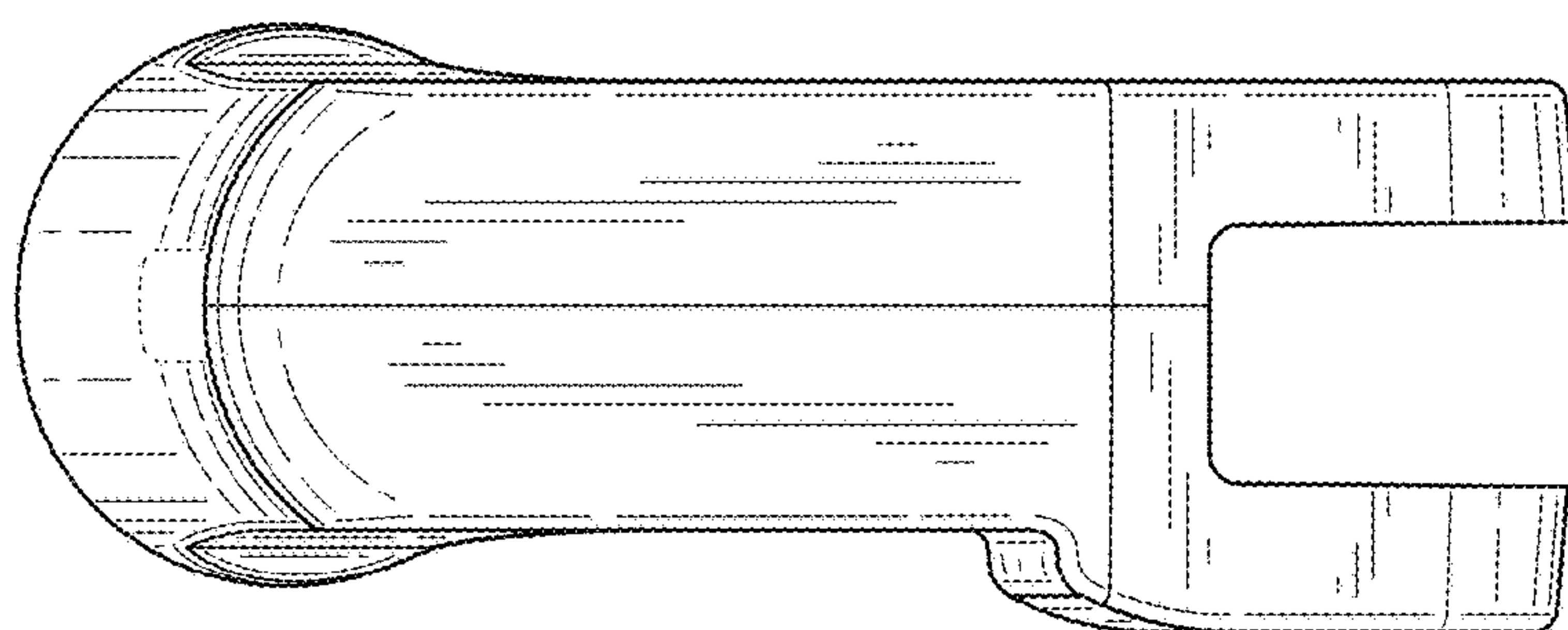


FIG. 6