



US00D863932S

(12) **United States Design Patent** (10) **Patent No.:** **US D863,932 S**
Onishi et al. (45) **Date of Patent:** **** Oct. 22, 2019**

(54) **DOOR LEVER**

85/12; E05B 85/10; E05B 7/00; E05B 1/0053; E05B 77/265

(71) Applicant: **Panasonic Intellectual Property Management Co., Ltd.**, Osaka (JP)

See application file for complete search history.

(72) Inventors: **Akiko Onishi**, Osaka (JP); **Luigi Velati**, Osaka (JP)

(56) **References Cited**

(73) Assignee: **Panasonic Intellectual Property Management Co., Ltd.**, Osaka (JP)

U.S. PATENT DOCUMENTS

(**) Term: **15 Years**

D181,822 S *	12/1957	Taubman	D8/308
D228,227 S *	8/1973	Woodcliff	D8/302
4,343,501 A *	8/1982	Meeks	E05B 85/12 292/113
D297,356 S *	8/1988	Reid	D23/252
4,820,330 A *	4/1989	Lin	E05B 47/0676 70/224
D315,486 S *	3/1991	Pierce	D8/307
5,457,975 A *	10/1995	Berger	E05B 9/084 70/370
D382,462 S *	8/1997	Arthurs	D8/343
5,862,690 A *	1/1999	Jancsek	E05B 3/06 70/224

(21) Appl. No.: **29/608,329**

(22) Filed: **Jun. 21, 2017**

(30) **Foreign Application Priority Data**

Dec. 28, 2016 (JP) 2016-028455

(51) **LOC (12) Cl.** **08-06**

(52) **U.S. Cl.**
USPC **D8/301**; D8/308

(58) **Field of Classification Search**
USPC D8/300-302, 307-309, 310, 311, 331,
D8/343; D23/250, 252; D7/393

CPC Y10T 16/44; Y10T 74/20612; Y10T 74/20732; Y10T 16/458; Y10T 16/498; Y10T 16/469; Y10T 16/476; Y10T 74/20744; Y10T 74/20864; Y10T 16/4628; Y10T 74/20642; Y10T 16/473; Y10T 74/20762; Y10T 74/2042; Y10T 74/20828; Y10T 16/459; Y10T 16/4713; Y10T 74/2014; Y10T 16/50; Y10T 74/20438; Y10T 74/20582; Y10T 74/20738; Y10T 16/48; Y10T 74/20618; Y10T 74/20684; Y10T 74/20624; Y10T 74/20468; Y10T 16/61; Y10T 16/4719; Y10T 16/86; Y10S 16/30; Y10S 292/31; Y10S 292/53; Y10S 16/12; Y10S 292/23; Y10S 292/27; Y10S 292/30; Y10S 292/63; E05B 85/16; E05B 1/0015; E05B 77/06; E05B 79/06; E05B 85/18; E05B

(Continued)

Primary Examiner — Lauren R Calve

(74) *Attorney, Agent, or Firm* — Panasonic IP Management; Kerry S. Culpepper

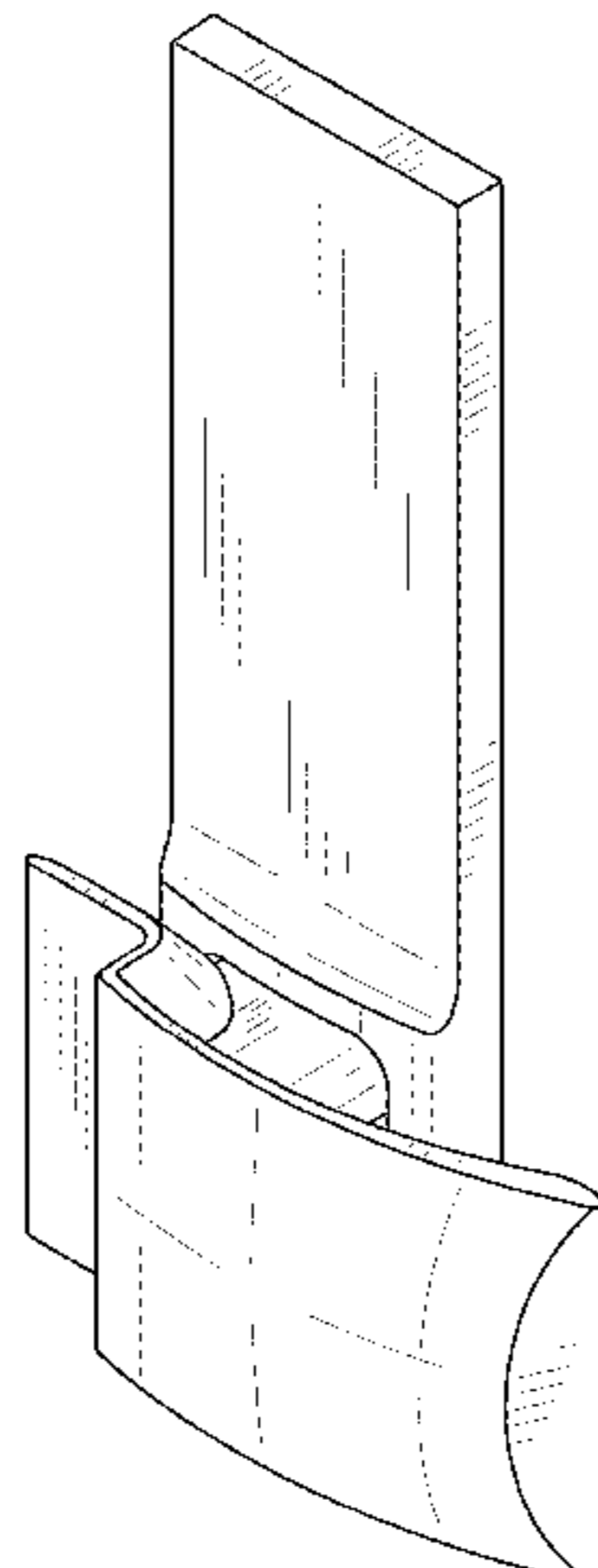
(57) **CLAIM**

We claim the ornamental design for a door lever, as shown and described.

DESCRIPTION

FIG. 1 is a front perspective view of a door lever of the present invention;
FIG. 2 is a front view thereof;
FIG. 3 is a rear view thereof;
FIG. 4 is a first side view thereof;
FIG. 5 is a second side view thereof;
FIG. 6 is a top view thereof; and,
FIG. 7 is a bottom view thereof.
The broken lines shown represent unclaimed subject matter and form no part of the claimed design.

1 Claim, 7 Drawing Sheets



(56)

References Cited

U.S. PATENT DOCUMENTS

D424,406	S	*	5/2000	Frey	D8/331
6,058,746	A	*	5/2000	Mirshafiee	E05B 63/0056 292/39
D466,391	S	*	12/2002	Votruba	D8/306
D466,392	S	*	12/2002	Halajko	D8/306
D577,953	S	*	10/2008	Plichon	D7/393
D595,109	S	*	6/2009	Doucet	D8/330
D617,604	S	*	6/2010	Munari	D7/393
D625,165	S	*	10/2010	King	D8/307
D645,331	S	*	9/2011	Lin	D8/301
D653,932	S	*	2/2012	Christie	D8/302
D660,127	S	*	5/2012	Stuckey	D8/302
D663,603	S	*	7/2012	Guo	D8/302
D677,553	S	*	3/2013	Shah	D8/302
D695,587	S	*	12/2013	Pallone	D8/307
D700,039	S	*	2/2014	Kim	D8/331
D722,856	S	*	2/2015	Shah	D8/302
D739,699	S	*	9/2015	Jerry	D8/301
D743,773	S	*	11/2015	Shah	D8/331
D761,633	S	*	7/2016	Bertani	D8/313
D781,134	S	*	3/2017	Watson	D8/300
D806,506	S	*	1/2018	Shah	D8/308
2014/0015226	A1	*	1/2014	MacKarvich	B60D 1/065 280/509
2015/0211253	A1	*	7/2015	Shah	E05B 7/00 292/336.3

* cited by examiner

FIG. 1

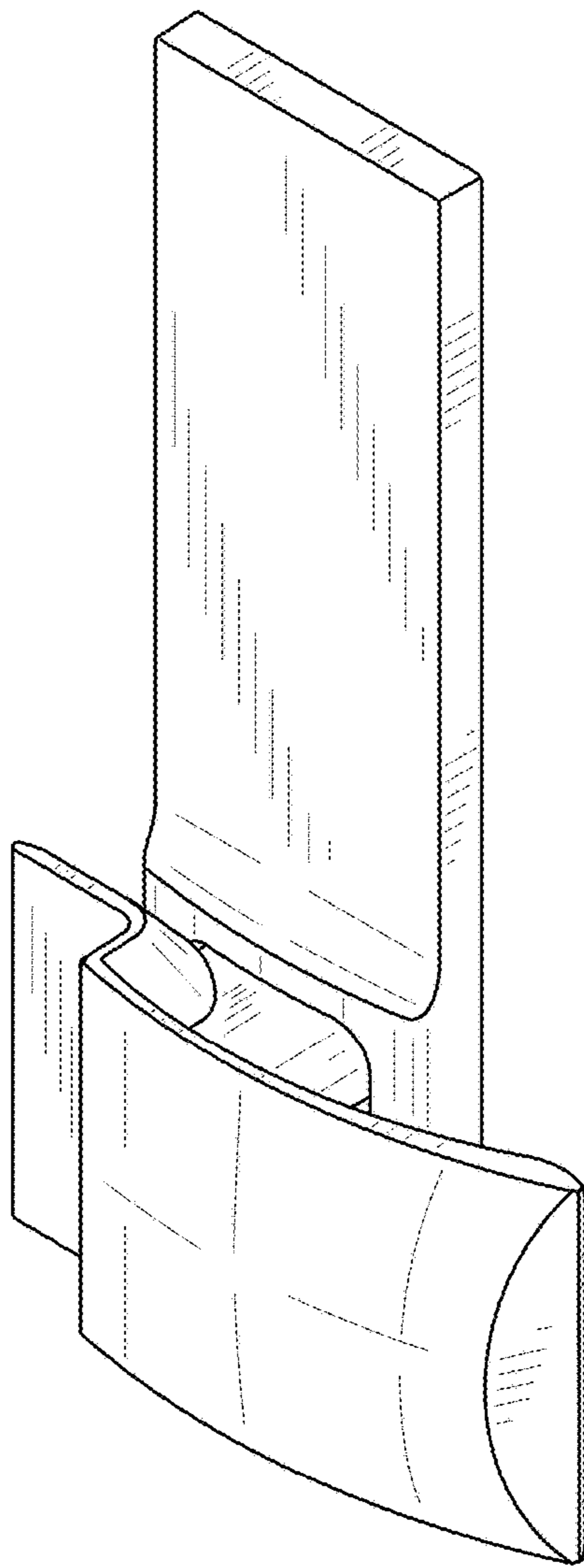


FIG. 2

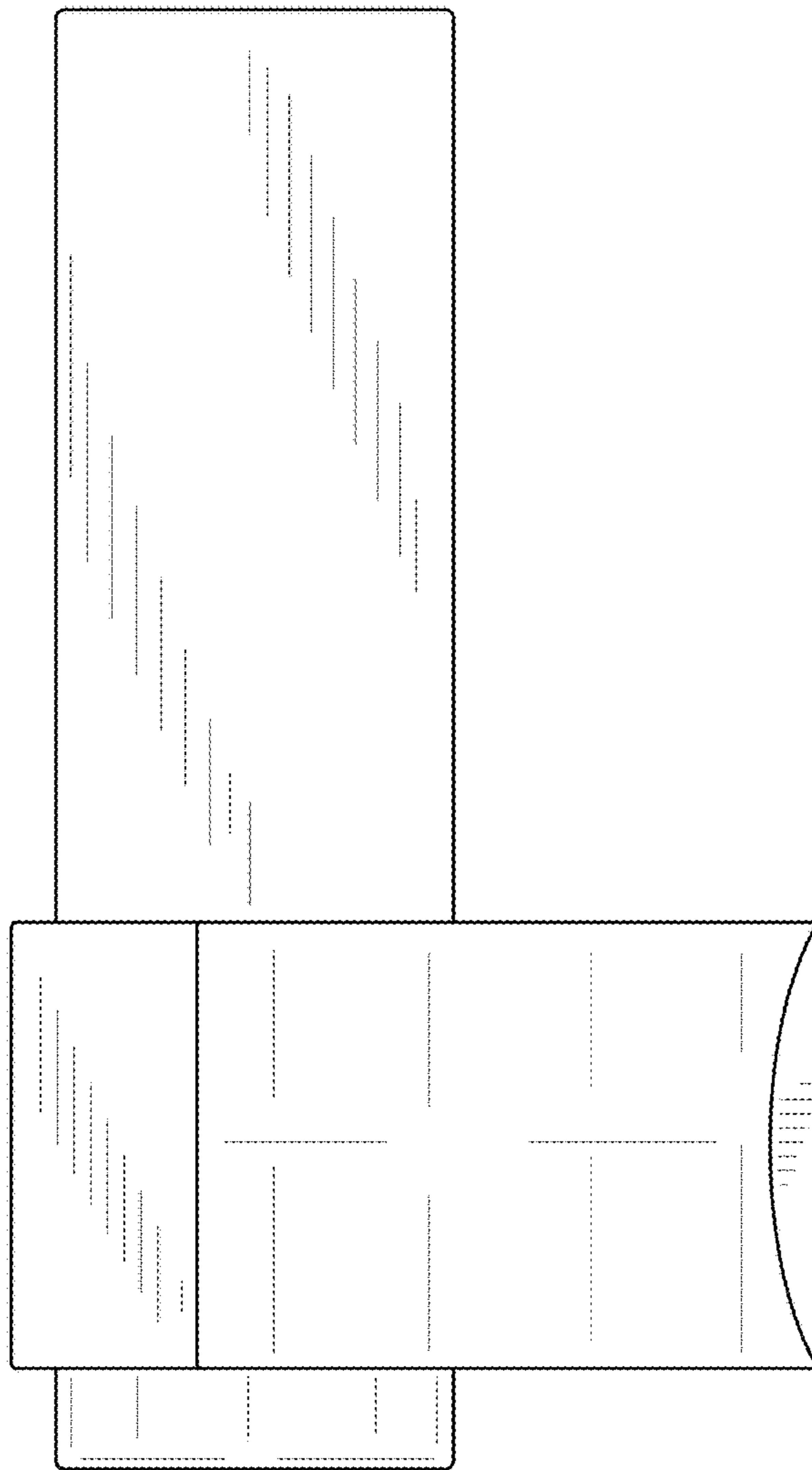


FIG. 3

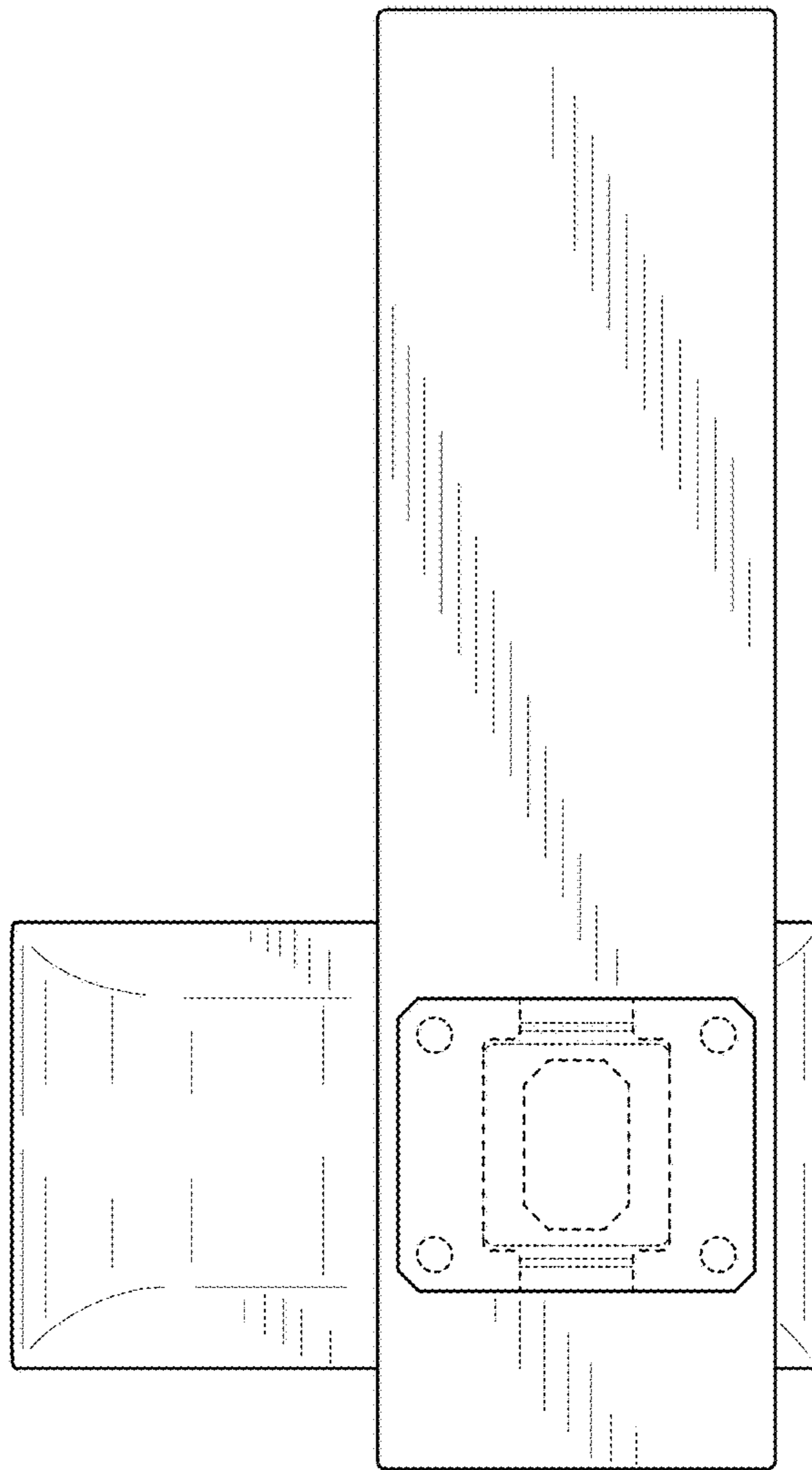


FIG. 4

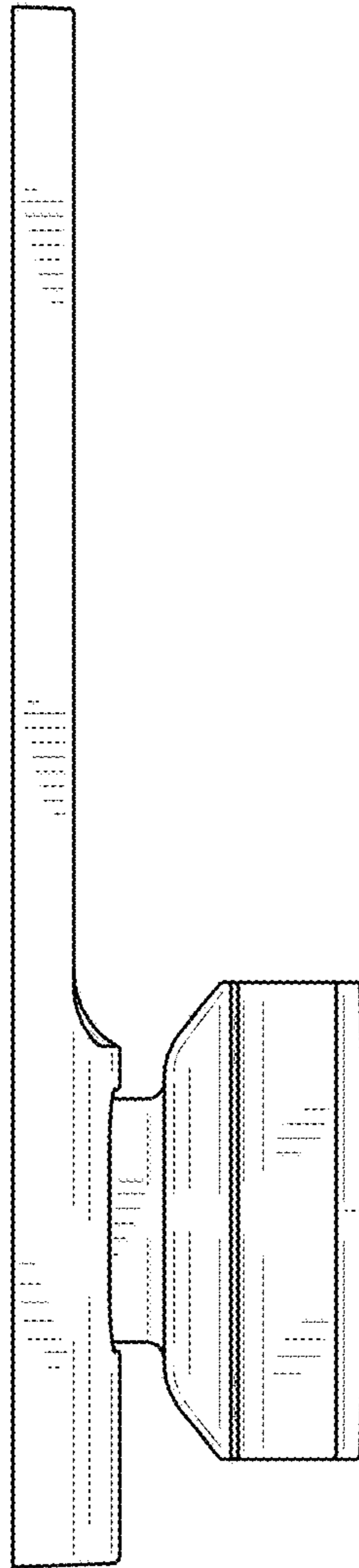


FIG. 5

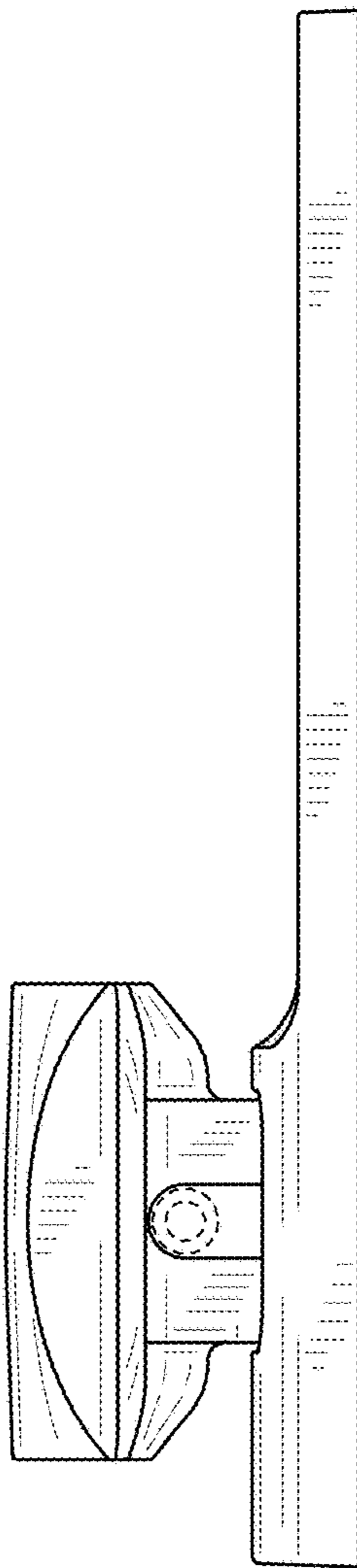


FIG. 6

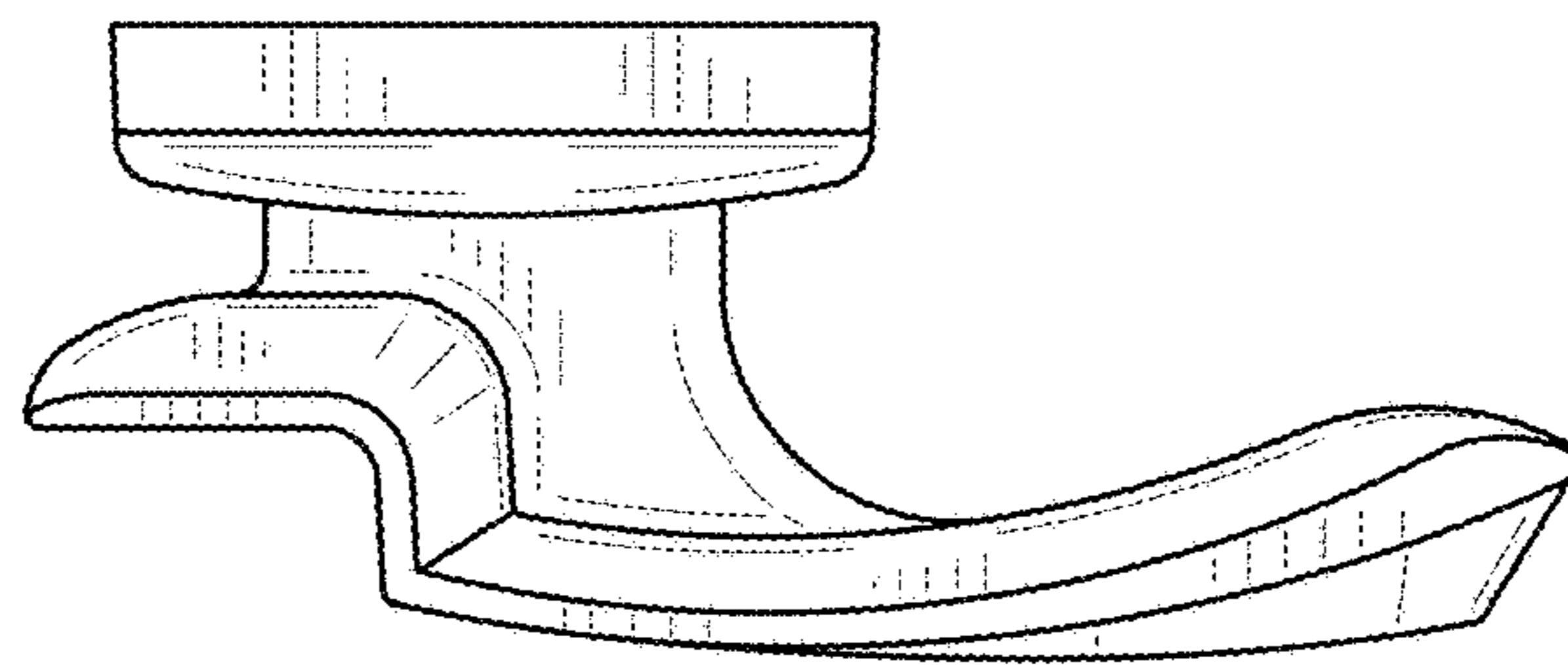


FIG. 7

