



US00D863924S

(12) **United States Design Patent** (10) **Patent No.:** **US D863,924 S**  
**Nguyen** (45) **Date of Patent:** **\*\* Oct. 22, 2019**

(54) **WINGED CUTTER**  
(71) Applicant: **Pacific Handy Cutter, Inc.**, Irvine, CA (US)  
(72) Inventor: **Kelvin Tuan Nguyen**, Fountain Valley, CA (US)  
(73) Assignee: **PACIFIC HANDY CUTTER, INC.**, Irvine, CA (US)  
(\*\*) Term: **15 Years**  
(21) Appl. No.: **29/618,904**  
(22) Filed: **Sep. 25, 2017**  
(51) **LOC (12) Cl.** ..... **08-03**  
(52) **U.S. Cl.**  
USPC ..... **D8/98**  
(58) **Field of Classification Search**  
USPC ..... D8/14, 98, 99, 102, 104, 105, 107  
CPC ..... B26B 29/00; B26B 3/08; B26B 29/06;  
B26B 5/00; B26B 5/006; B26B 5/005  
See application file for complete search history.

(56) **References Cited**  
U.S. PATENT DOCUMENTS  
D575,613 S \* 8/2008 Jennings ..... D8/98  
D649,001 S \* 11/2011 Still ..... D8/105  
D714,611 S \* 10/2014 Yu Chen ..... D8/98  
D714,612 S \* 10/2014 Gropl ..... D8/98  
D801,148 S \* 10/2017 Yu Chen ..... D8/98  
D802,394 S \* 11/2017 Yu Chen ..... D8/98

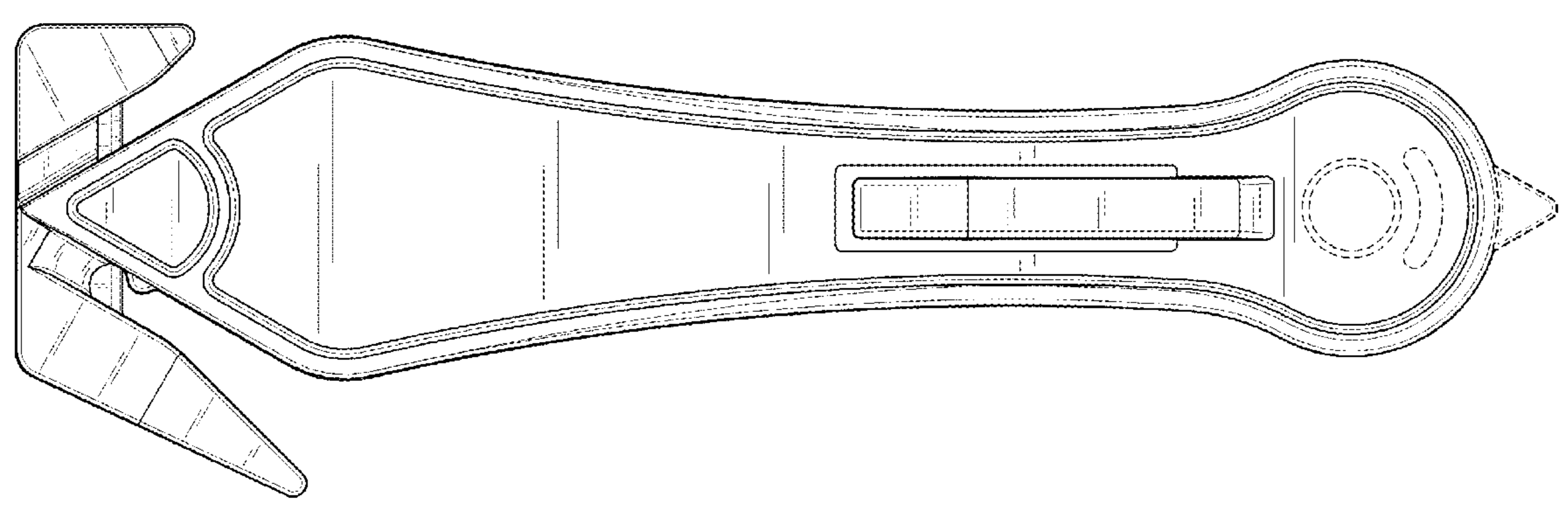
D817,142 S \* 5/2018 Rohrbach ..... D8/98  
D817,143 S \* 5/2018 Rohrbach ..... D8/98  
2014/0345146 A1\* 11/2014 Schekalla ..... B26B 3/00  
30/169  
2015/0298330 A1\* 10/2015 Yu Chen ..... B26B 27/005  
30/280  
2017/0197320 A1\* 7/2017 Chen ..... B26B 11/006

\* cited by examiner  
*Primary Examiner* — Philip S Hyder  
(74) *Attorney, Agent, or Firm* — Peter L. Holmes

(57) **CLAIM**  
The ornamental design for a winged cutter, as shown and described.

**DESCRIPTION**  
FIG. 1 is a left side perspective view of a winged cutter showing my new design;  
FIG. 2 is a right side perspective view thereof;  
FIG. 3 is a left side view thereof;  
FIG. 4 is a right side view thereof;  
FIG. 5 is a front view thereof;  
FIG. 6 is a rear view thereof;  
FIG. 7 is a top view thereof; and,  
FIG. 8 is a bottom view thereof.  
The broken lines immediately adjacent the shaded(/claimed) areas represent the bounds of the claimed design while all other broken lines are included for purposes of illustrating portions of the winged cutter article embodying the design; the broken lines form no part of the claimed design.

**1 Claim, 4 Drawing Sheets**



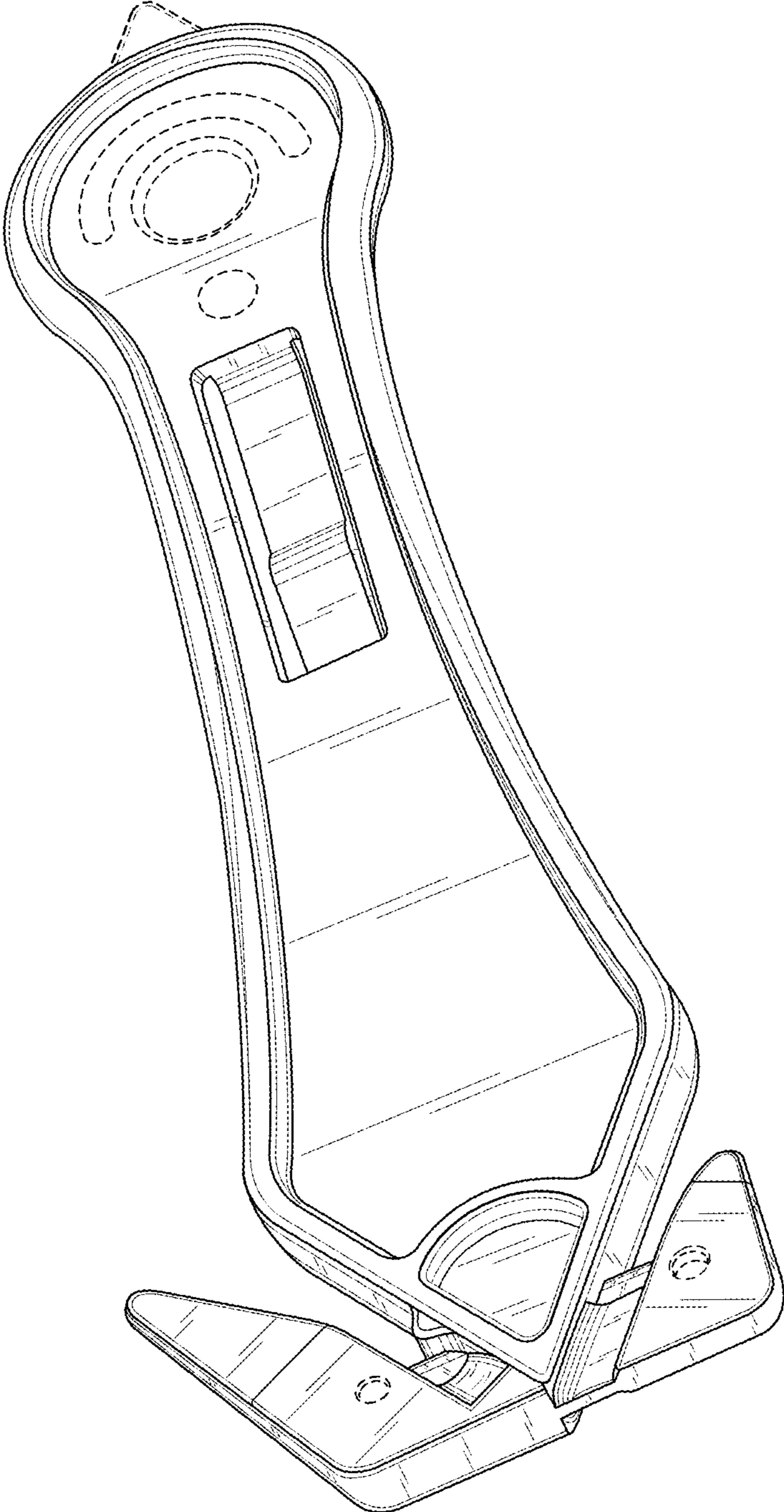


FIG. 1

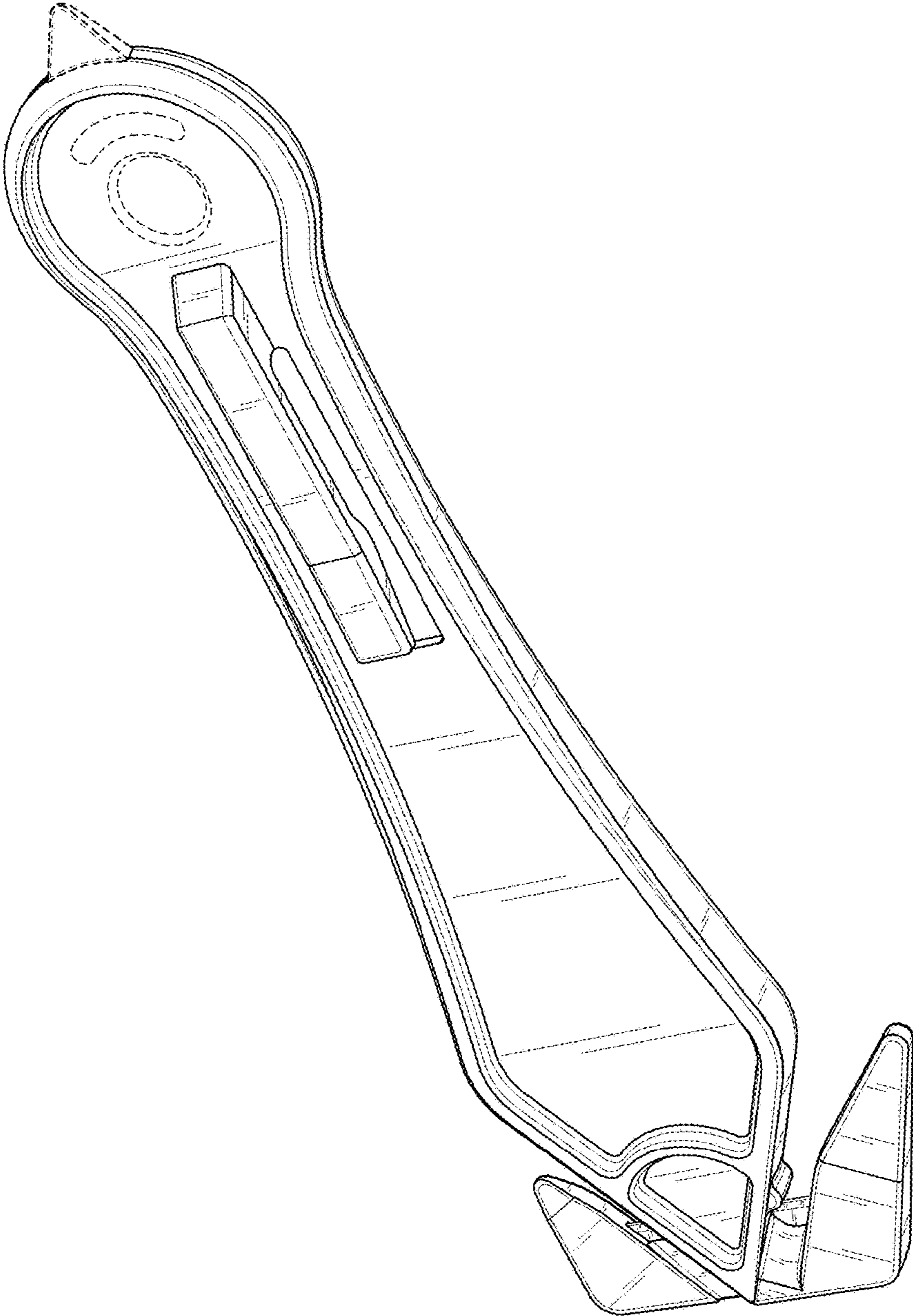


FIG. 2

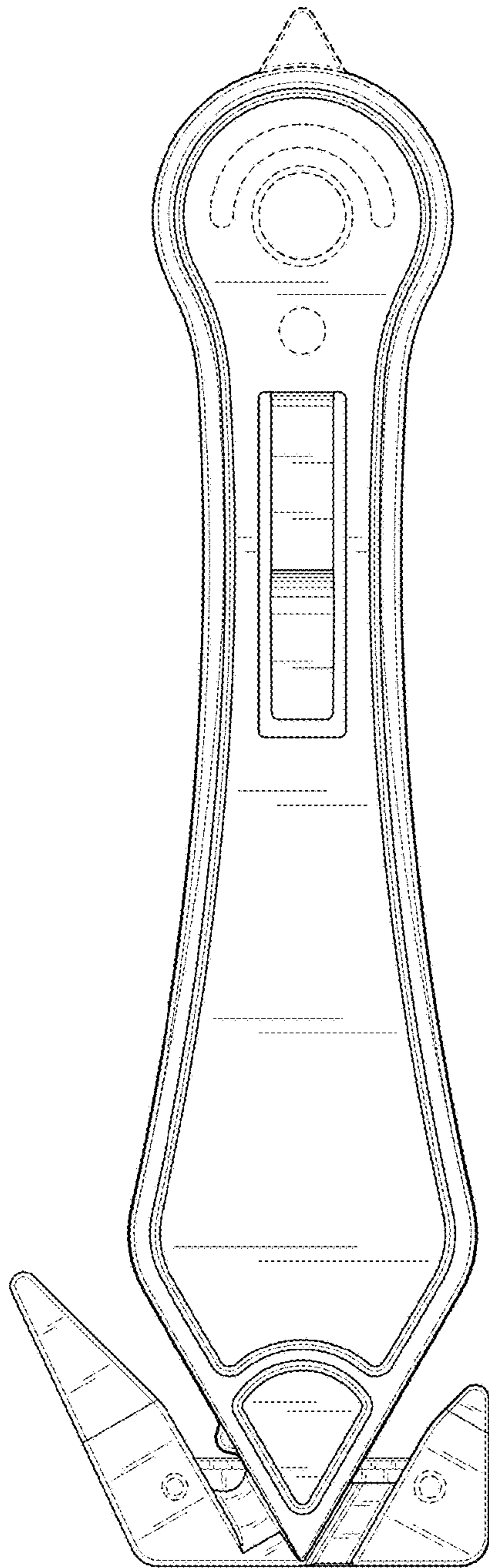


FIG. 3

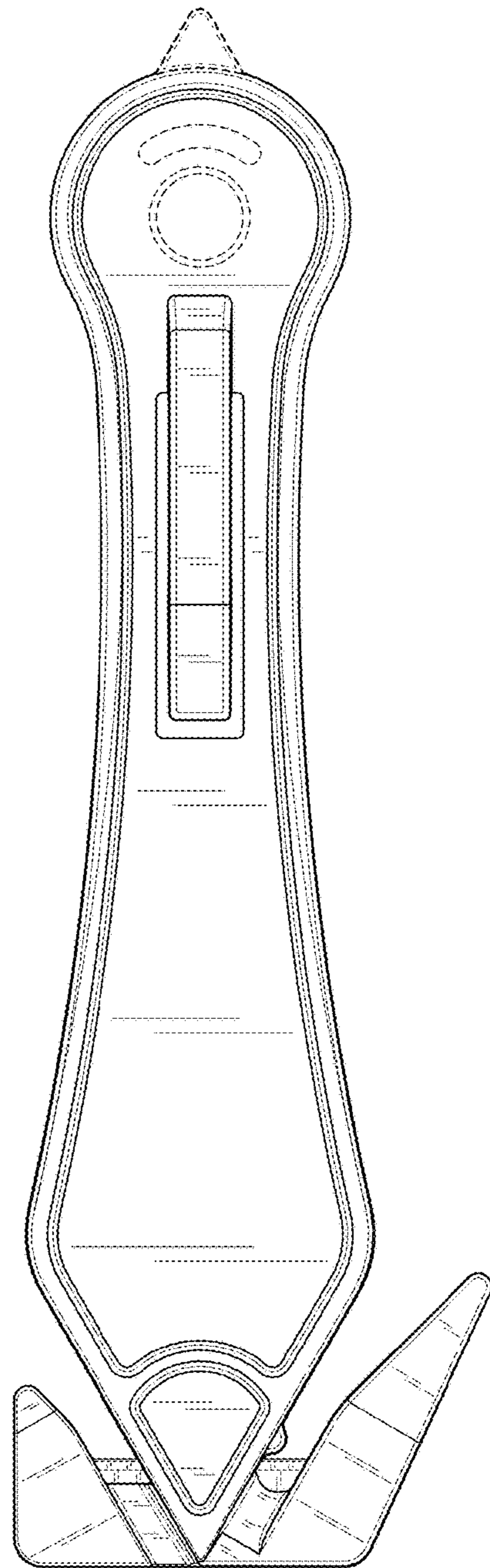


FIG. 4

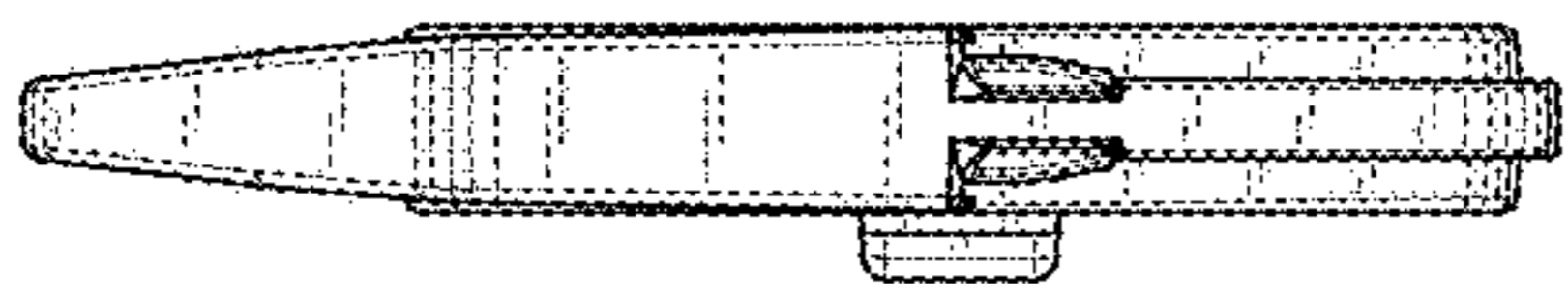


FIG. 5

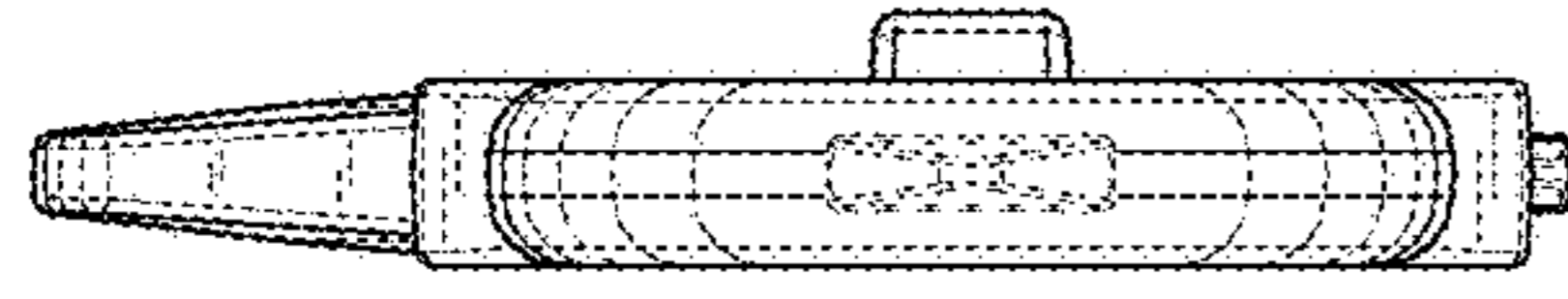


FIG. 6



FIG. 7

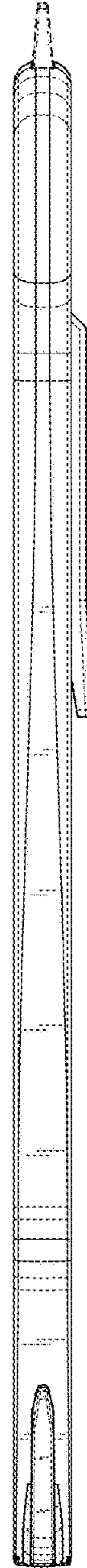


FIG. 8