



US00D863918S

(12) **United States Design Patent**  
**Takahashi et al.**

(10) **Patent No.:** **US D863,918 S**

(45) **Date of Patent:** **\*\* Oct. 22, 2019**

(54) **PORTABLE ELECTRIC CIRCULAR SAW**

(71) Applicant: **MAKITA CORPORATION**, Anjo-shi,  
Aichi (JP)

(72) Inventors: **Koji Takahashi**, Anjo (JP); **Hiroto  
Inayoshi**, Anjo (JP)

(73) Assignee: **MAKITA CORPORATION**, Anjo-Shi  
(JP)

(\*\*) Term: **15 Years**

(21) Appl. No.: **29/664,783**

(22) Filed: **Sep. 27, 2018**

(30) **Foreign Application Priority Data**

Mar. 28, 2018 (JP) ..... 2018-006633

(51) **LOC (12) Cl.** ..... **08-03**

(52) **U.S. Cl.**  
USPC ..... **D8/66**

(58) **Field of Classification Search**  
USPC .... D8/69, 68, 67, 66, 64, 61, 70; 83/698.41,  
83/747, 166.3, 374, 373, 375, 376, 391,  
83/377, 390, 388, 389; 125/13.01;  
144/218  
CPC .... B27B 9/00; B27B 9/02; B27B 5/02; B27B  
5/18; B27B 33/08; B28D 1/04; B28D  
1/045; B28D 45/00

See application file for complete search history.

(56) **References Cited**

**U.S. PATENT DOCUMENTS**

D427,874 S	*	7/2000	Hayakawa	.....	D8/66
D502,073 S	*	2/2005	Andriolo	.....	D8/66
D567,612 S	*	4/2008	Wright	.....	D8/66
D631,719 S	*	2/2011	Aglassinger	.....	D8/66
D654,340 S	*	2/2012	Kawase	.....	D8/66
D660,121 S	*	5/2012	Valk	.....	D8/66
D699,088 S		2/2014	Abe et al.		

D703,019 S	*	4/2014	Faile, Jr.	.....	D8/66
D703,508 S	*	4/2014	Kawase	.....	D8/66
D710,172 S	*	8/2014	Tschopp	.....	D8/66
D713,702 S	*	9/2014	Perez	.....	D8/66
D731,869 S	*	6/2015	Hoggarth	.....	D8/66
D814,899 S	*	4/2018	Suzuki	.....	D8/66

\* cited by examiner

*Primary Examiner* — Austin Murphy

(74) *Attorney, Agent, or Firm* — Global IP Counselors,  
LLP

(57) **CLAIM**

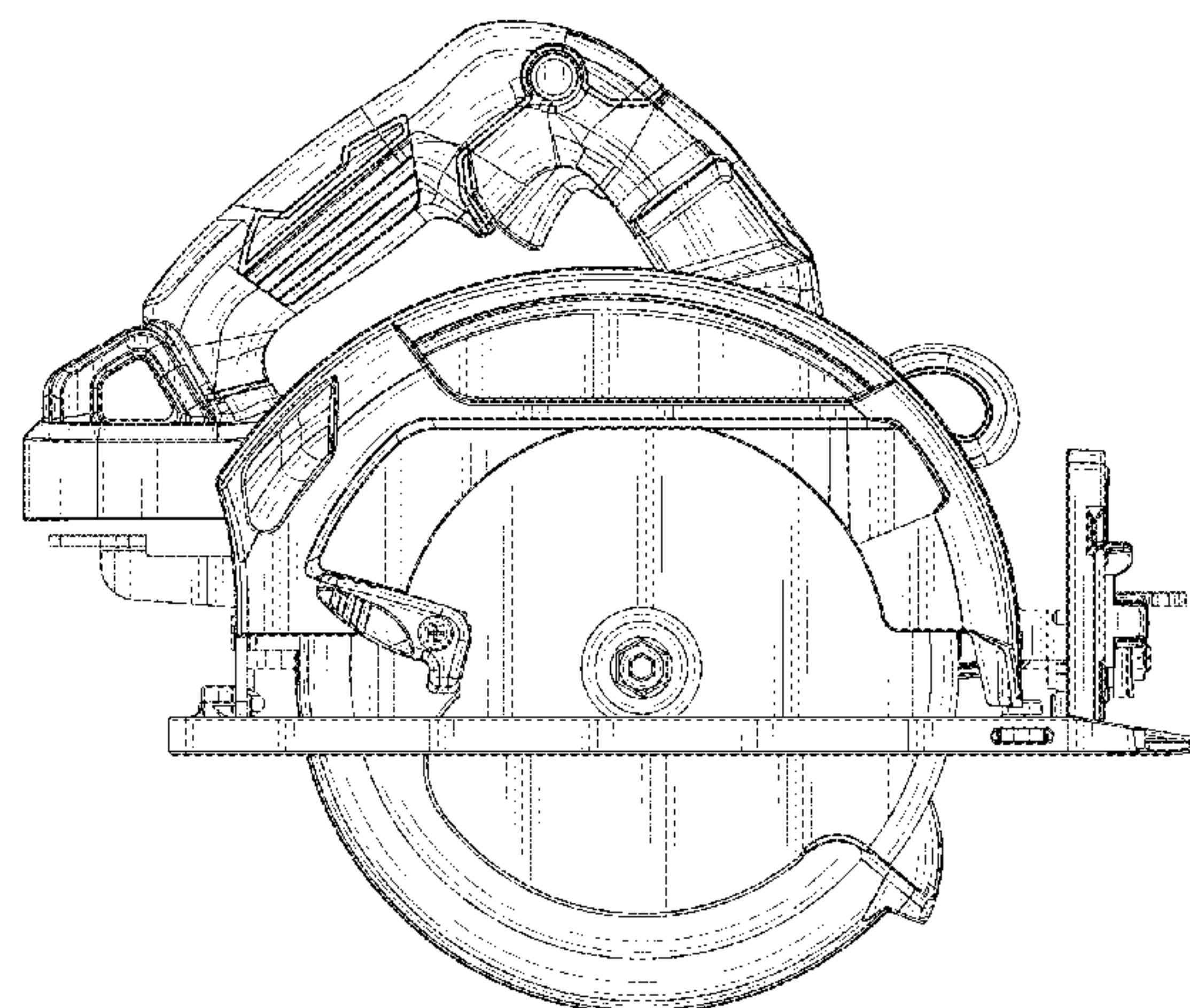
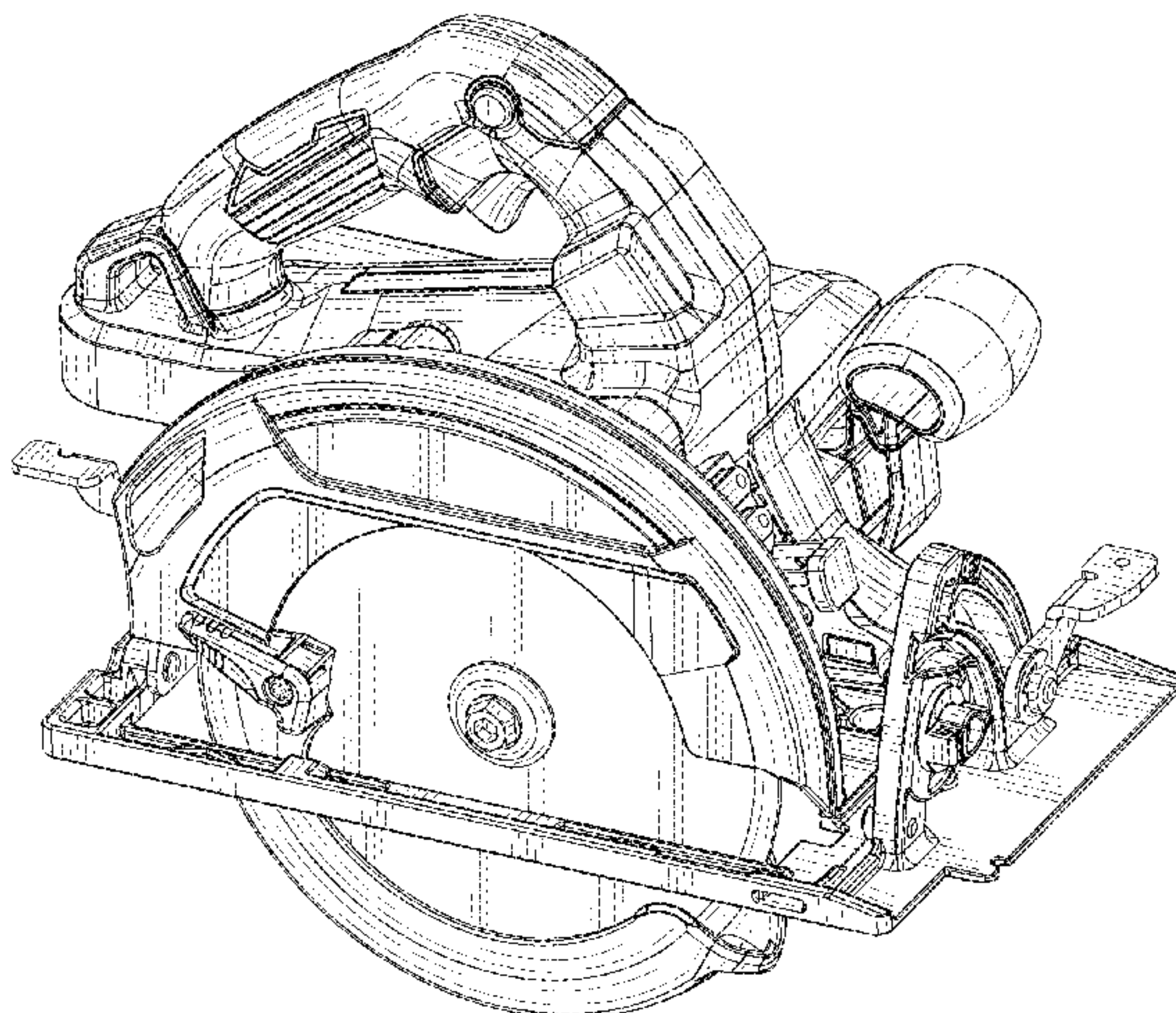
The ornamental design for a portable circular saw, as shown  
and described.

**DESCRIPTION**

FIG. 1 is a front perspective view of a portable electric  
circular saw in accordance with our new design;  
FIG. 2 is a rear perspective view of the portable electric  
circular saw in accordance with our new design;  
FIG. 3 is a front elevational view of the portable electric  
circular saw in accordance with our new design;  
FIG. 4 is a rear elevational view of the portable electric  
circular saw in accordance with our new design;  
FIG. 5 is a top plan view of the portable electric circular saw  
in accordance with our new design;  
FIG. 6 is a bottom plan view of the portable electric circular  
saw in accordance with our new design;  
FIG. 7 is a right side elevational view of the portable electric  
circular saw in accordance with our new design;  
FIG. 8 is a left side elevational view of the portable electric  
circular saw in accordance with our new design; and,  
FIG. 9 is a front perspective view of the portable electric  
circular saw in accordance with our new design showing  
when rechargeable batteries are attached to the portable  
electric circular saw.

The broken line showing of environment structures in the  
drawings forms no part of the claimed design.

**1 Claim, 9 Drawing Sheets**





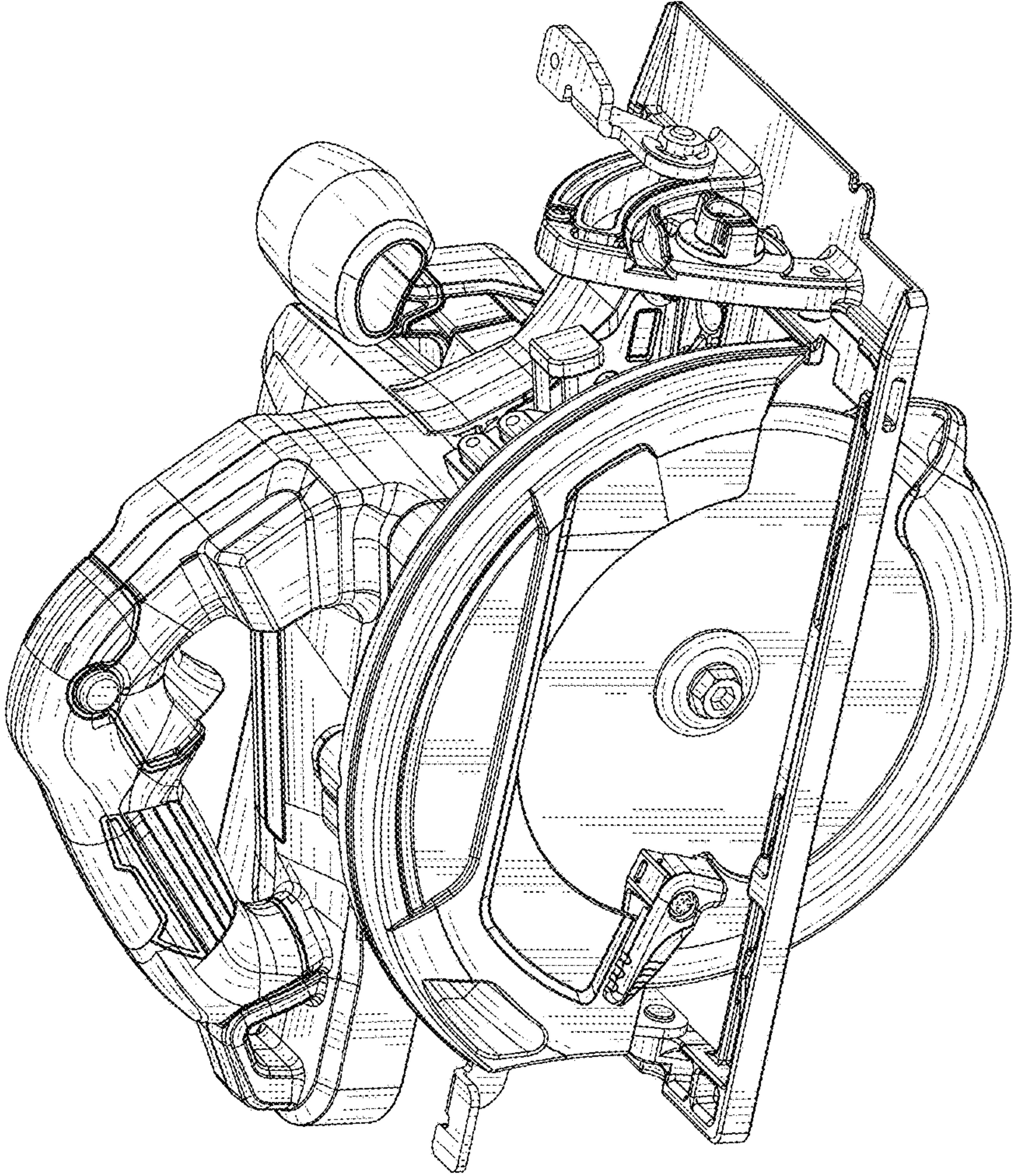


FIG. 1

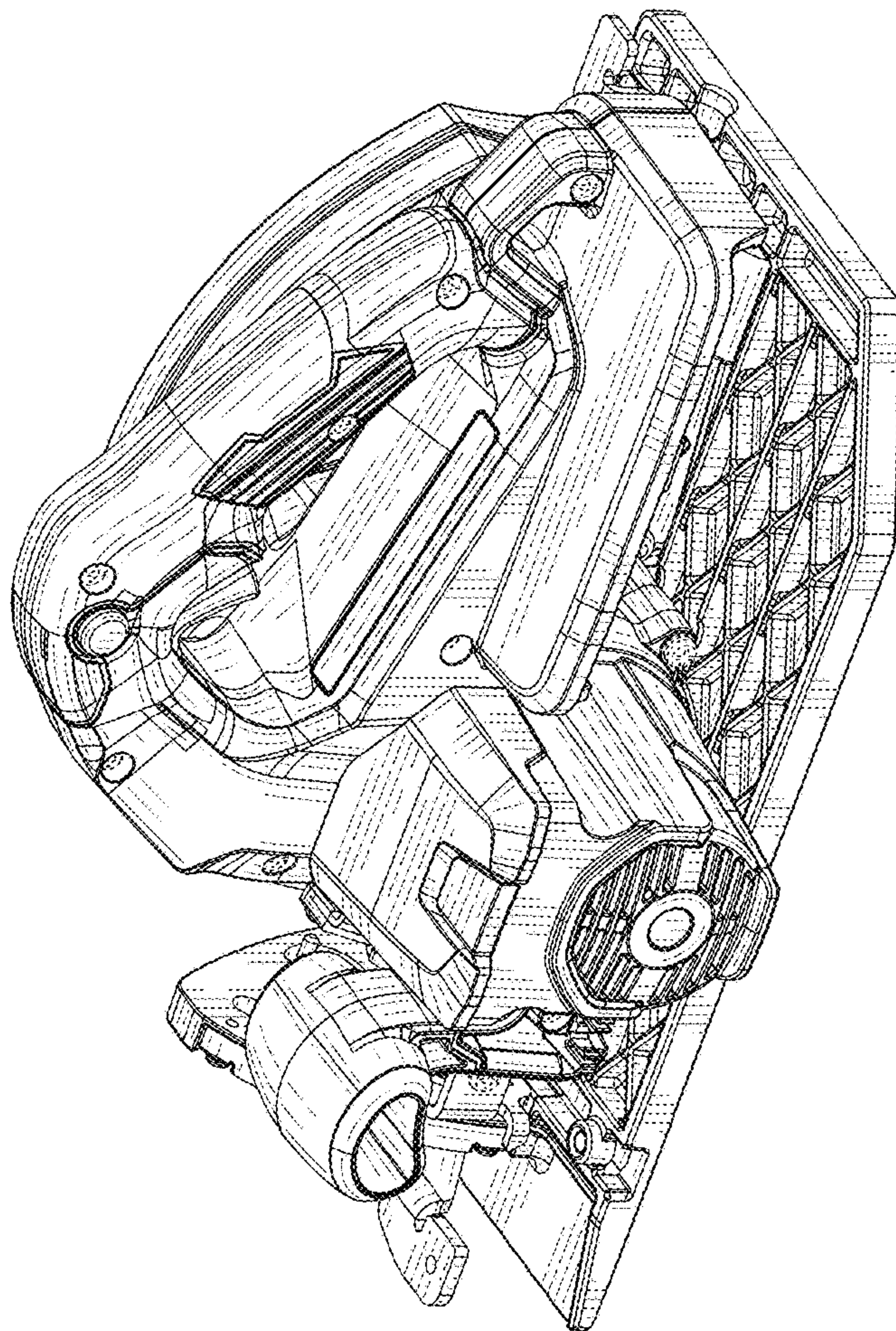


FIG. 2



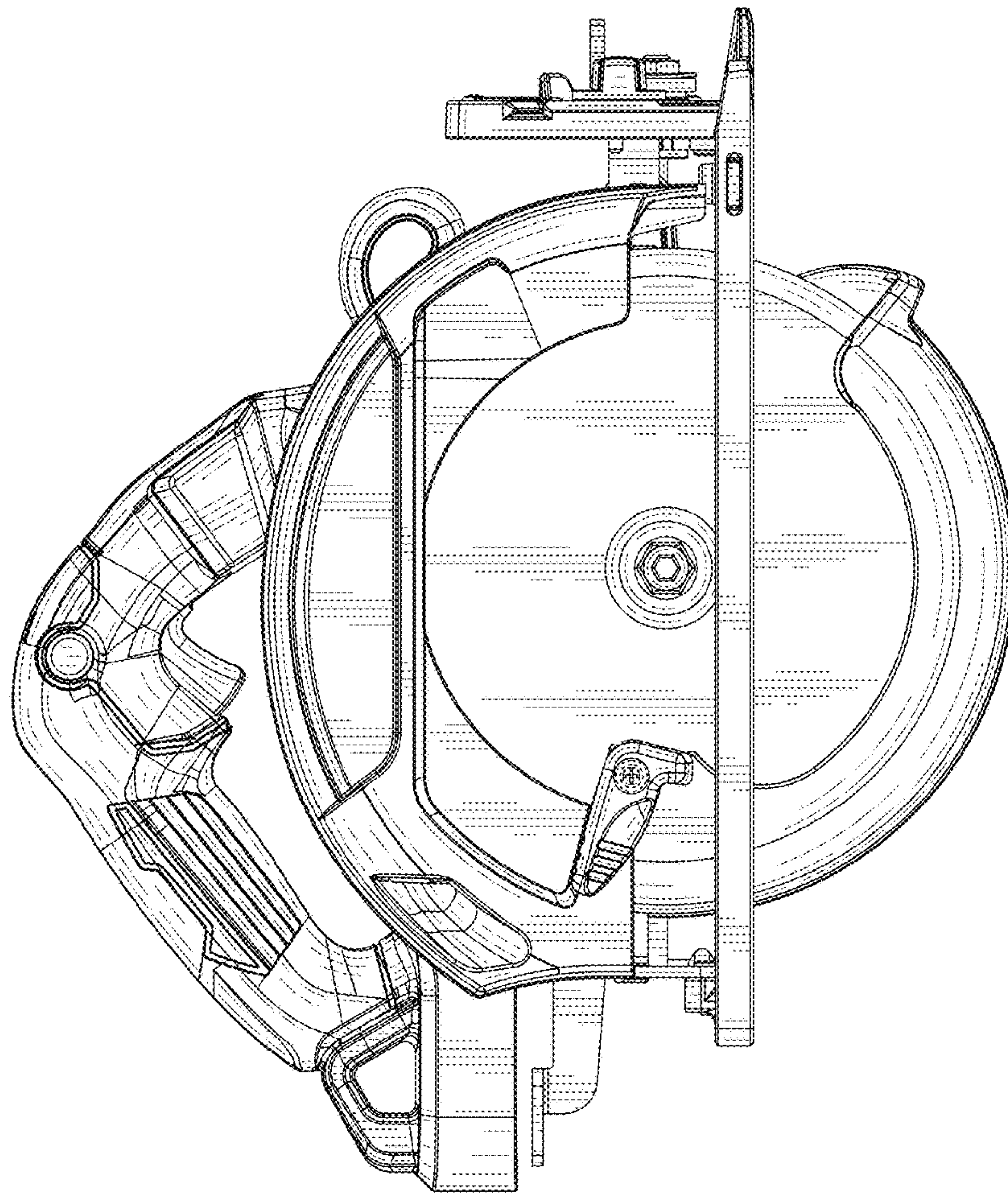


FIG. 3

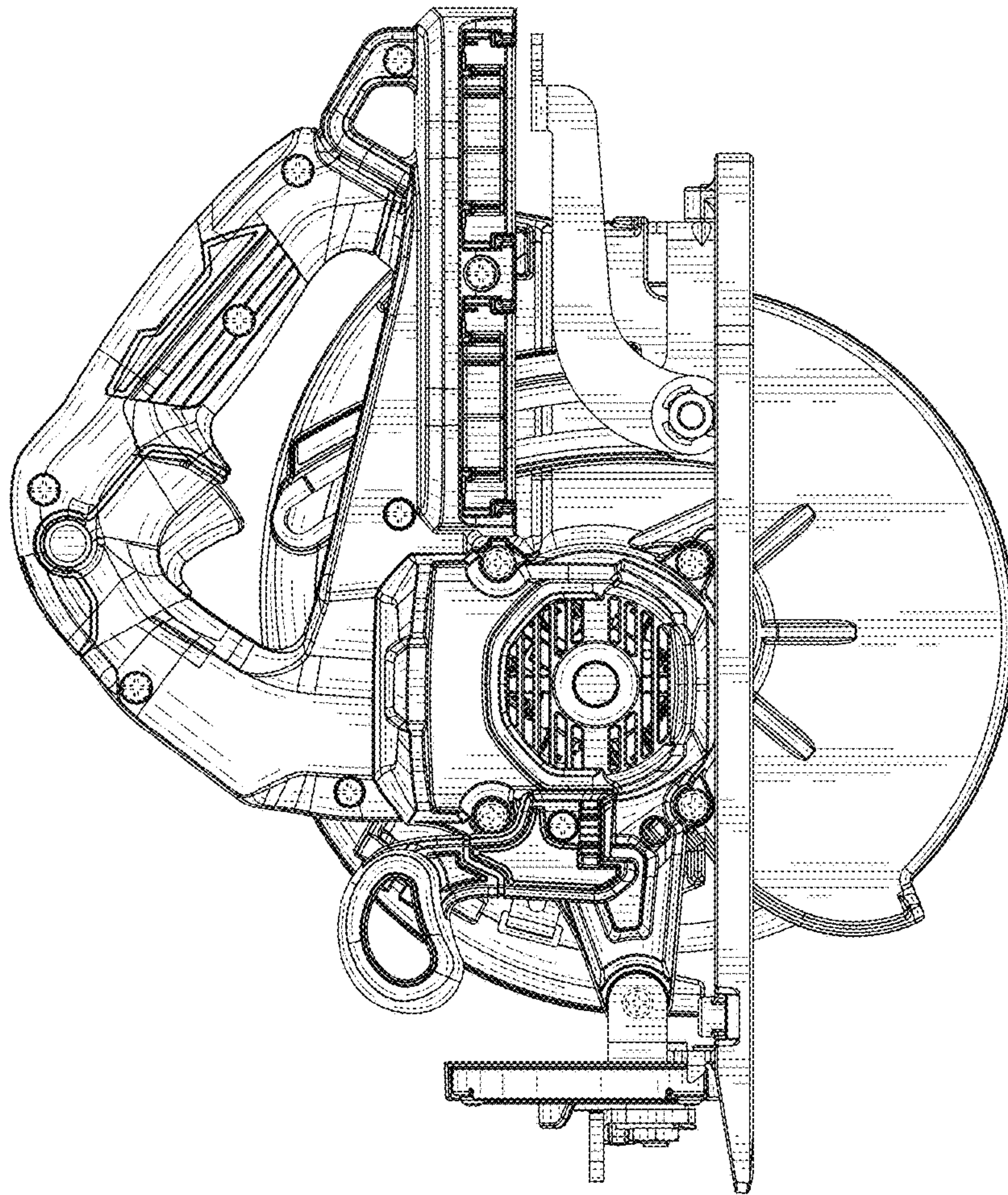


FIG. 4



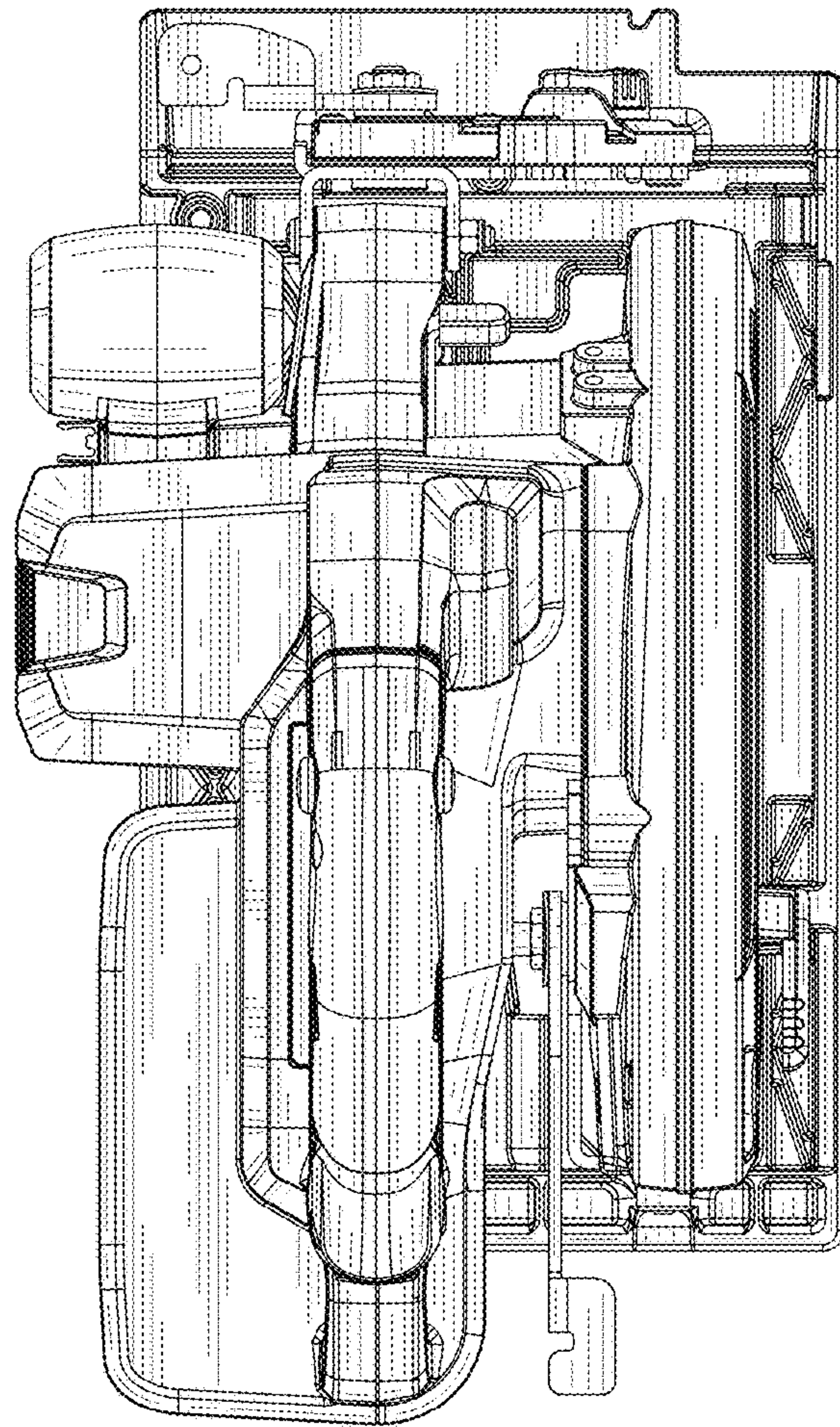


FIG. 5

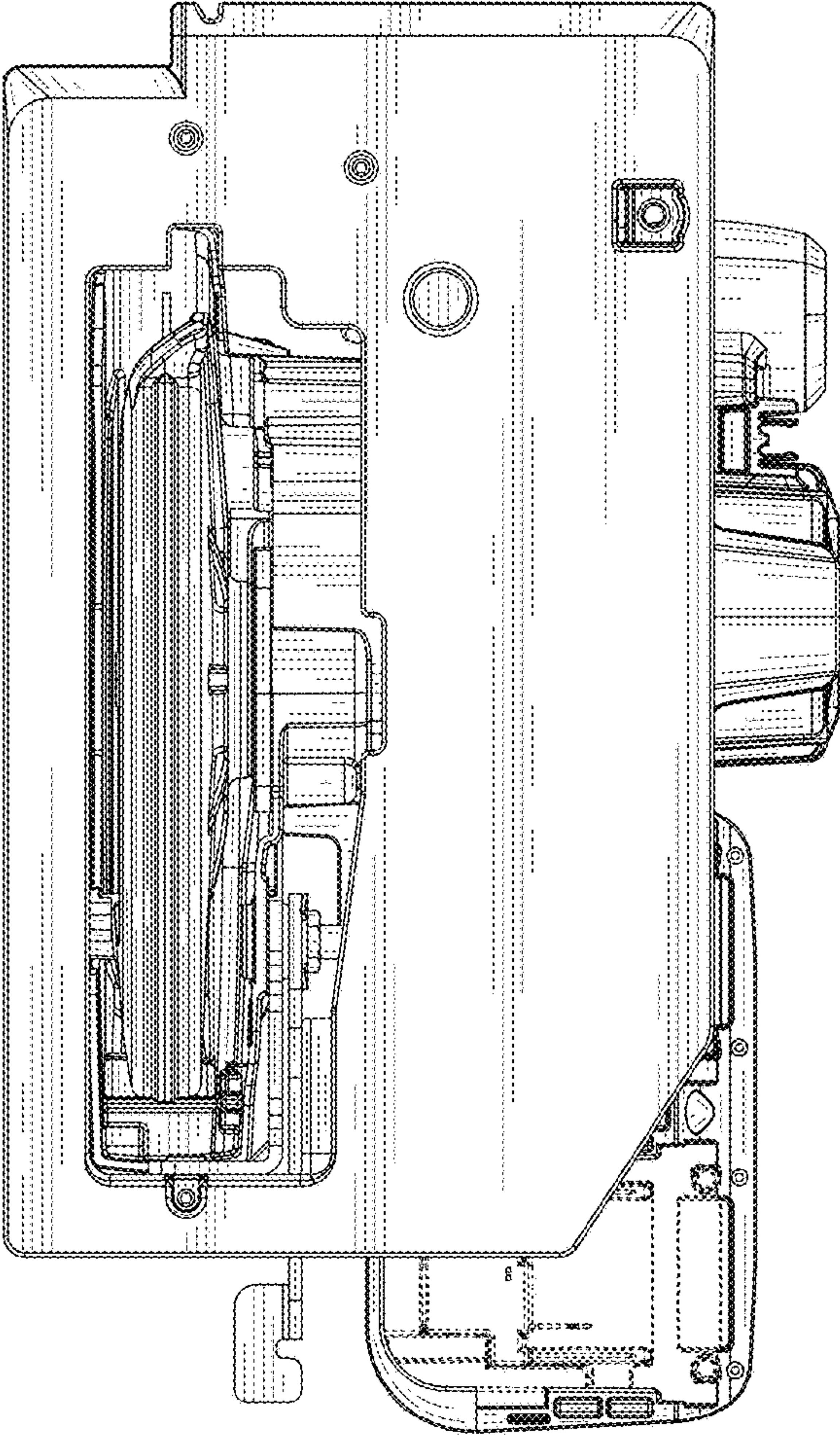


FIG. 6

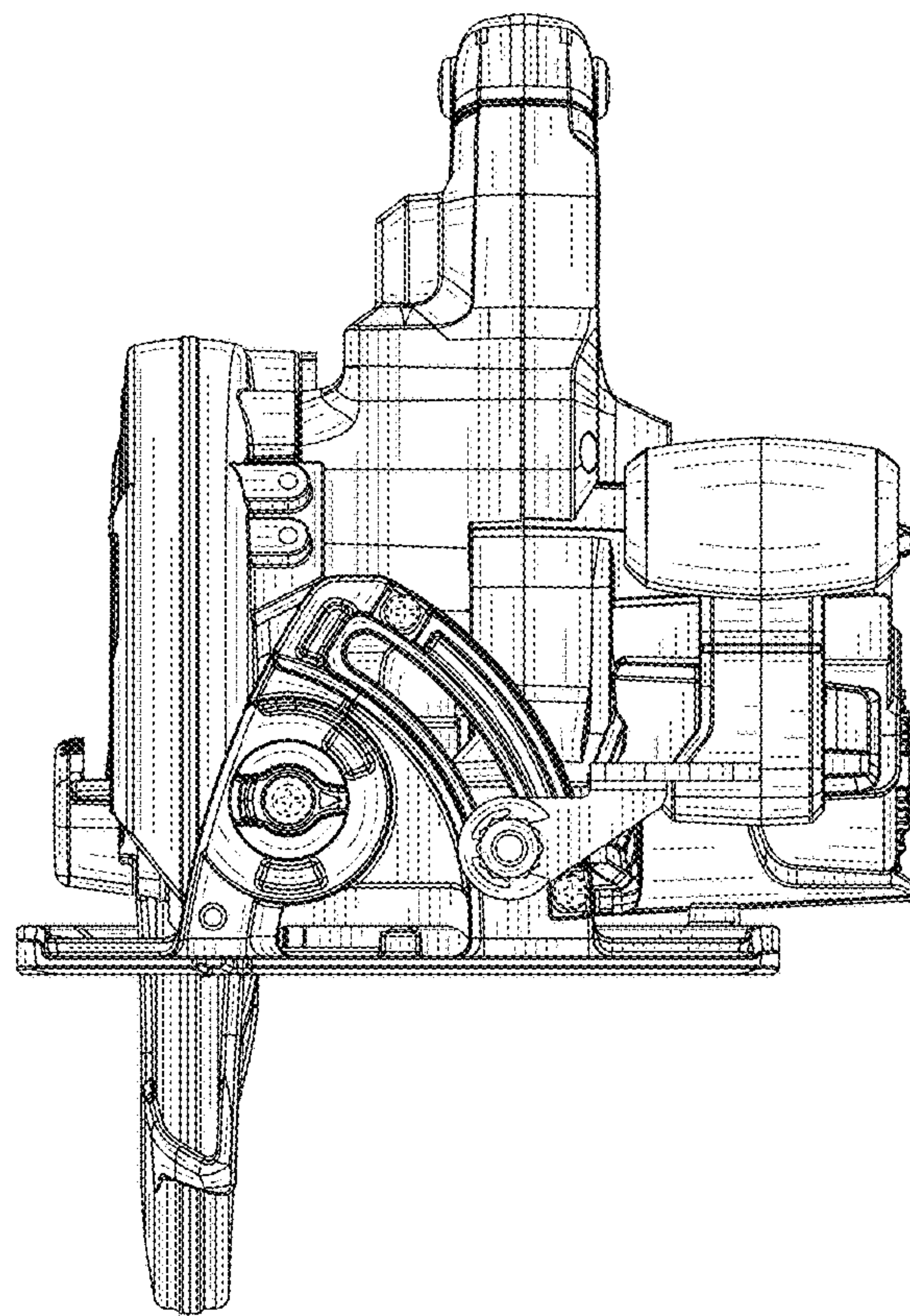


FIG. 7



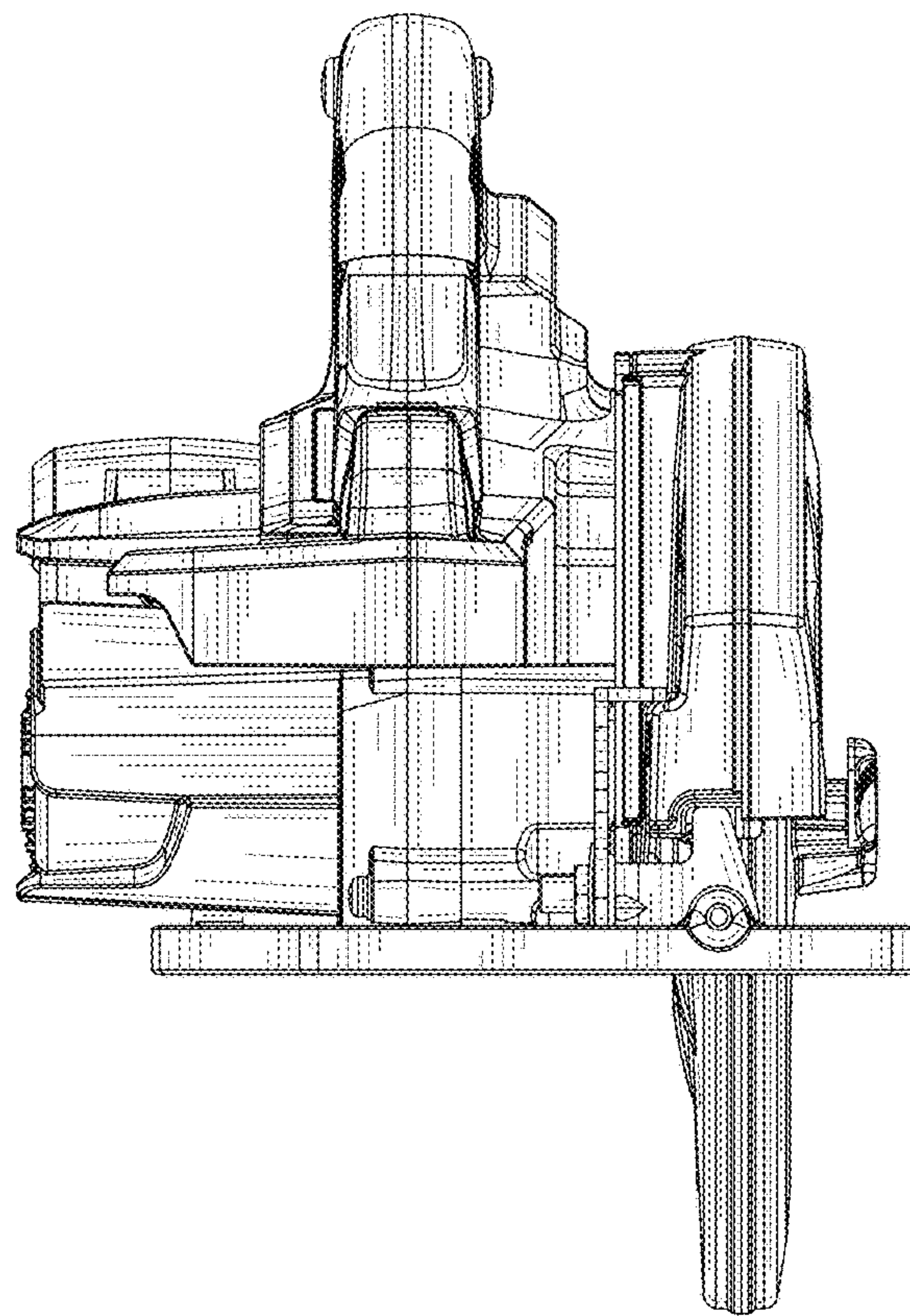


FIG. 8

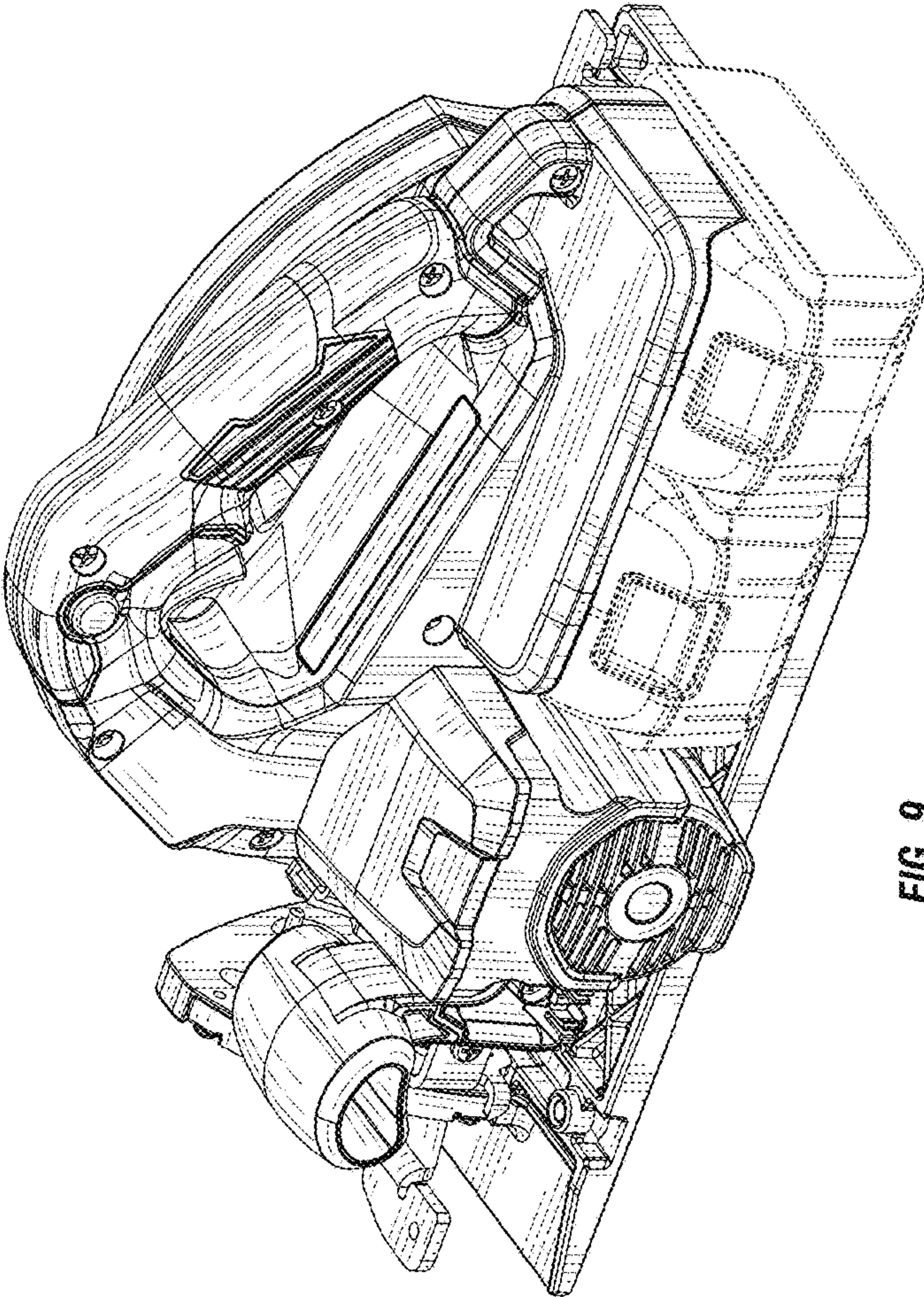


FIG. 9