



US00D863917S

(12) **United States Design Patent**
Yang

(10) **Patent No.:** **US D863,917 S**

(45) **Date of Patent:** **** Oct. 22, 2019**

(54) **ELECTRIC CIRCULAR SAW**

(71) Applicant: **JIANGSU HEHUI POWER TOOLS CO., LTD.**, Qidong (CN)

(72) Inventor: **Xiaofei Yang**, Qidong (CN)

(73) Assignee: **Jiangsu Hehui Power Tools Co., Ltd.**, Qidong (CN)

(**) Term: **15 Years**

(21) Appl. No.: **29/661,293**

(22) Filed: **Aug. 27, 2018**

(30) **Foreign Application Priority Data**

May 30, 2018 (CN) 2018 3 0264363

(51) **LOC (12) Cl.** **08-03**

(52) **U.S. Cl.**
USPC **D8/66**

(58) **Field of Classification Search**

USPC D8/69, 68, 67, 66, 64, 61, 70; 83/698.41,
83/747, 166.3, 374, 373, 375, 376, 391,
83/377, 390, 388, 389; 125/13.01;
144/218

CPC B27B 9/00; B27B 9/02; B27B 5/02; B27B
5/18; B27B 33/08; B28D 1/04; B28D
1/045; B23D 45/00

See application file for complete search history.

(56) **References Cited**

U.S. PATENT DOCUMENTS

D427,874 S *	7/2000	Hayakawa	D8/66
D502,073 S *	2/2005	Andriolo	D8/66
D567,612 S *	4/2008	Wright	D8/66
D631,719 S *	2/2011	Aglassinger	D8/66
D654,340 S *	2/2012	Kawase	D8/66
D660,121 S *	5/2012	Valk	D8/66
D703,019 S *	4/2014	Faile, Jr.	D8/66

D703,508 S *	4/2014	Kawase	D8/66
D710,172 S *	8/2014	Tschopp	D8/66
D713,702 S *	9/2014	Perez	D8/66
D731,869 S *	6/2015	Hoggarth	D8/66
D814,899 S *	4/2018	Suzuki	D8/66

* cited by examiner

Primary Examiner — Austin Murphy

(57) **CLAIM**

The ornamental design for an electric circular saw, as shown and described.

DESCRIPTION

FIG. 1 is a top-down perspective view of an electric circular saw showing my new design;

FIG. 2 is a bottom-up perspective view thereof;

FIG. 3 is a front side elevation view thereof;

FIG. 4 is a rear side elevation view thereof;

FIG. 5 is a left side elevation view thereof;

FIG. 6 is a right side elevation view thereof;

FIG. 7 is a top plan view thereof;

FIG. 8 is a bottom plan view thereof;

FIG. 9 is a first partially enlarged view of FIG. 1;

FIG. 10 is a second partially enlarged view of FIG. 1;

FIG. 11 is a third partially enlarged view of FIG. 1;

FIG. 12 is a first partially enlarged view of FIG. 3;

FIG. 13 is a second partially enlarged view of FIG. 3;

FIG. 14 is a first partially enlarged view of FIG. 5;

FIG. 15 is a second partially enlarged view of FIG. 5;

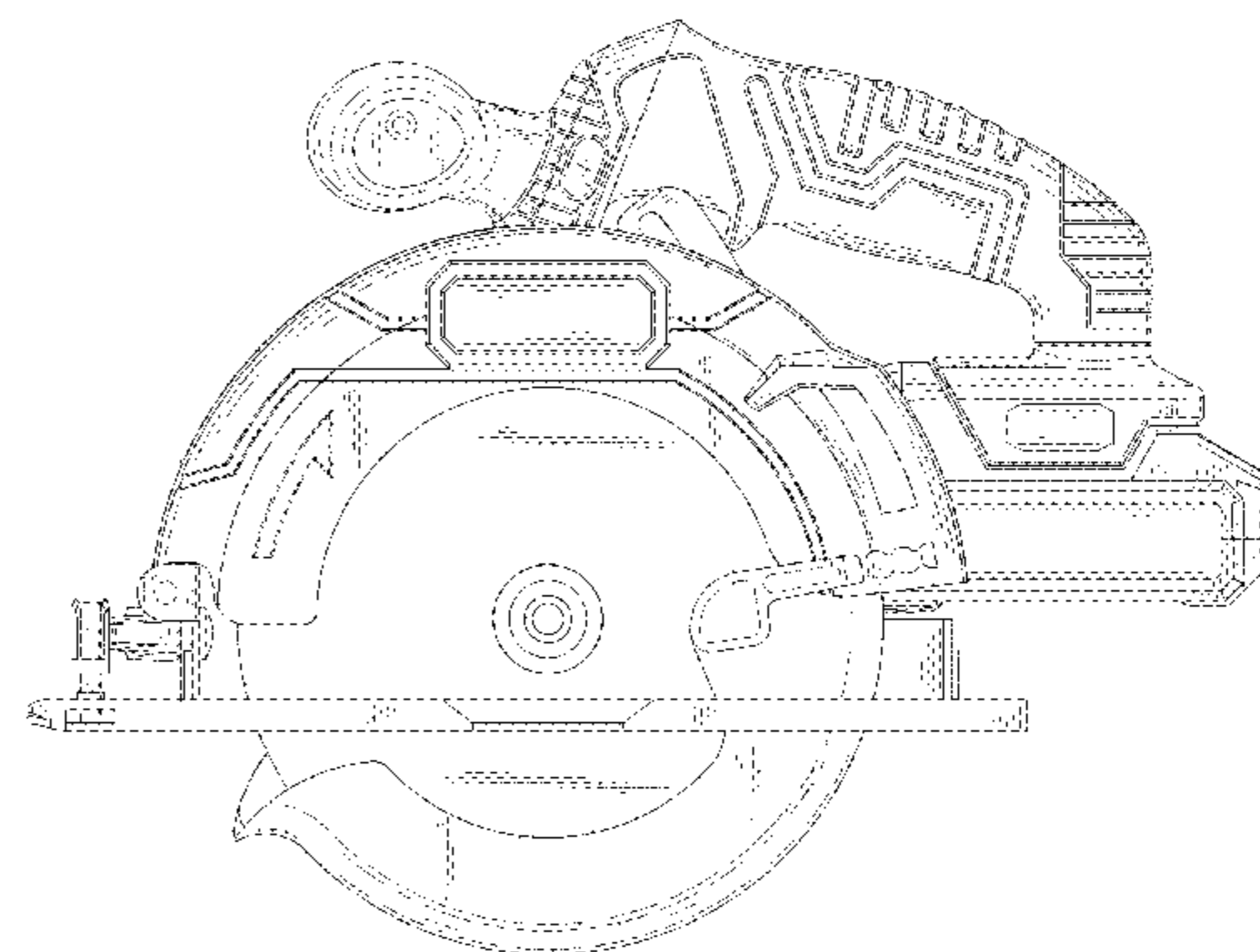
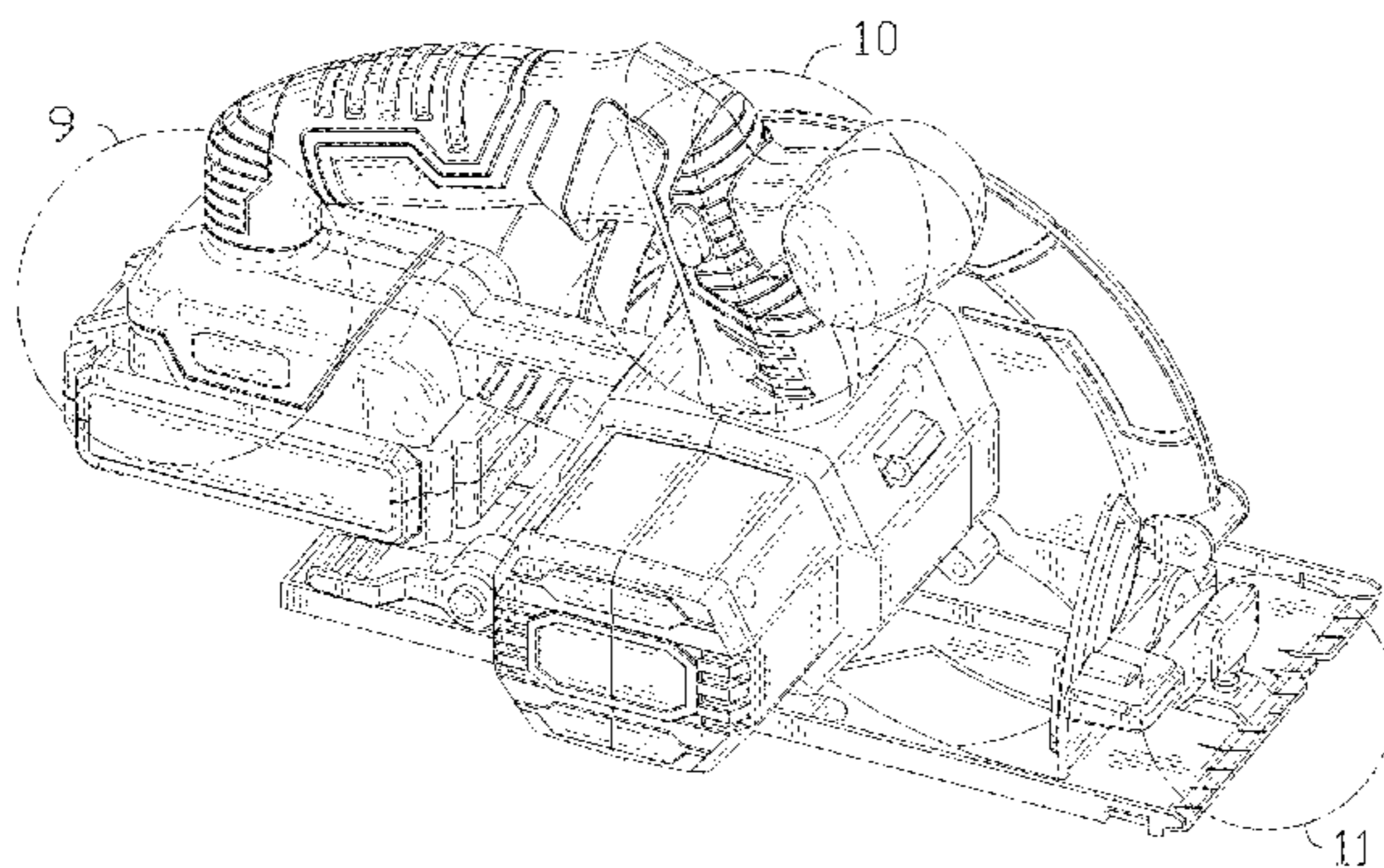
FIG. 16 is a partially enlarged view of FIG. 6;

FIG. 17 is a partially enlarged view of FIG. 7; and,

FIG. 18 is a partially enlarged view of FIG. 8.

Broken lines depict portions of the electric circular saw that form no part of the claimed design. Dot-dash broken lines depict boundaries of the partially enlarged parts of the corresponding figures that form no part of the claimed design.

1 Claim, 18 Drawing Sheets



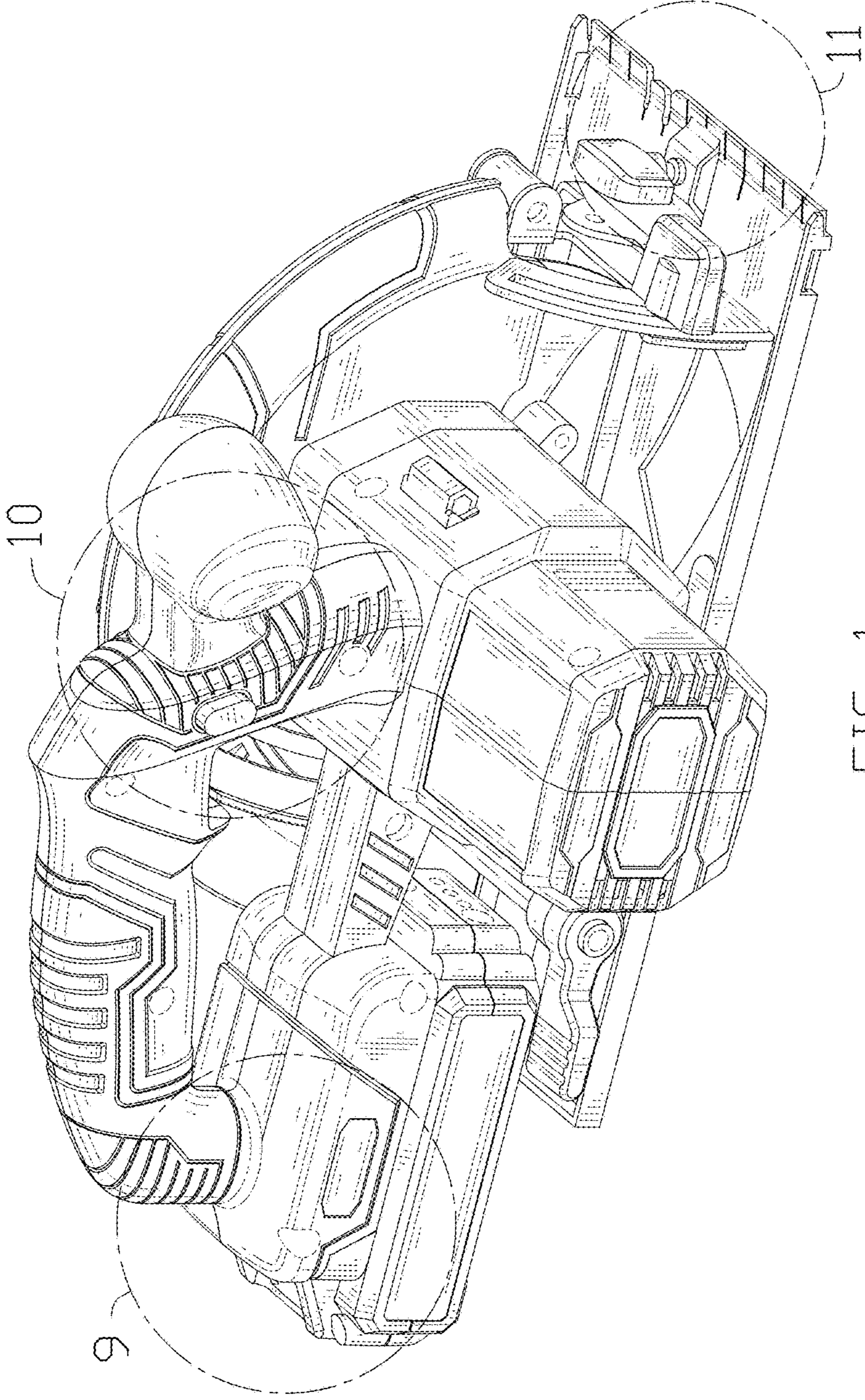


FIG. 1

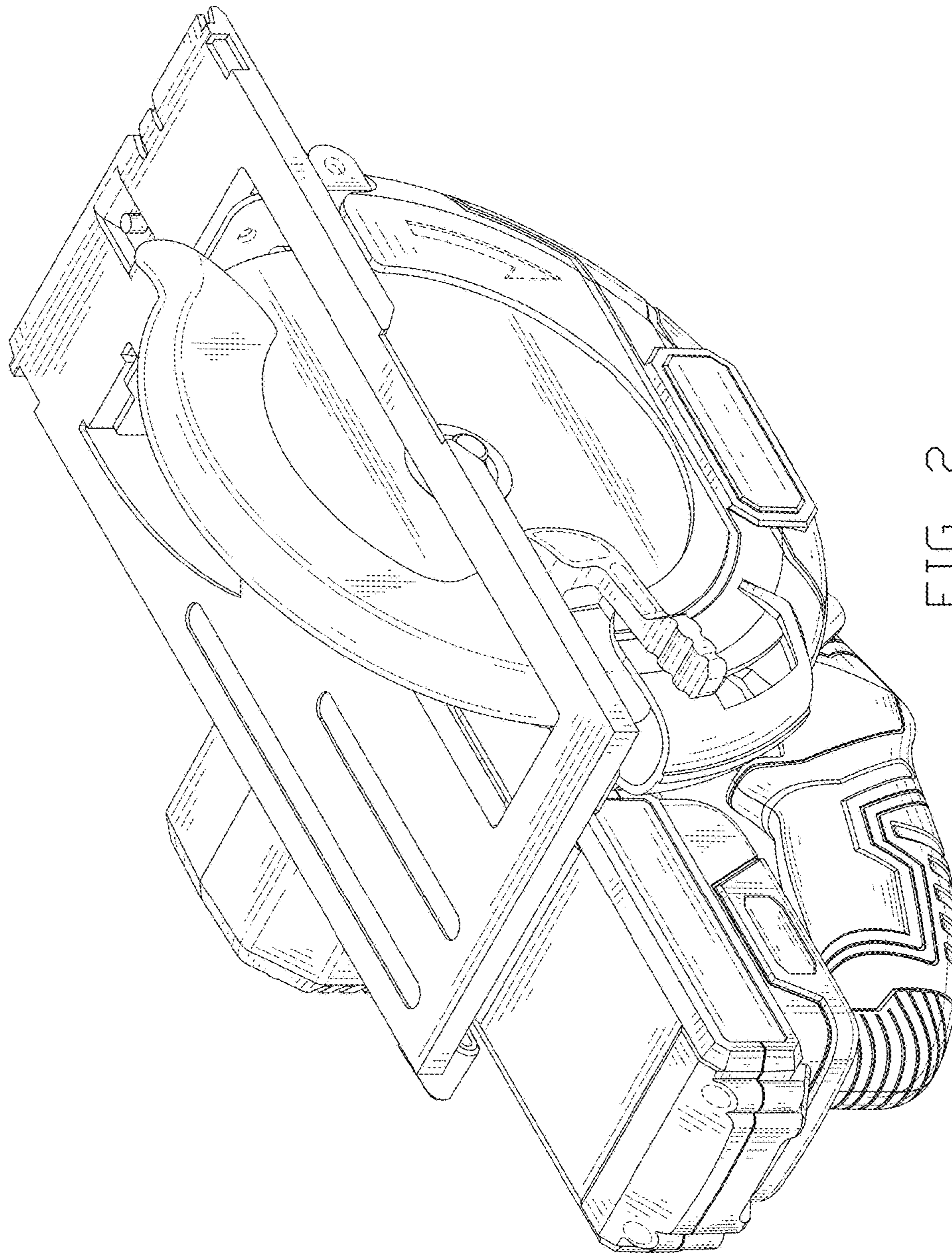


FIG. 2

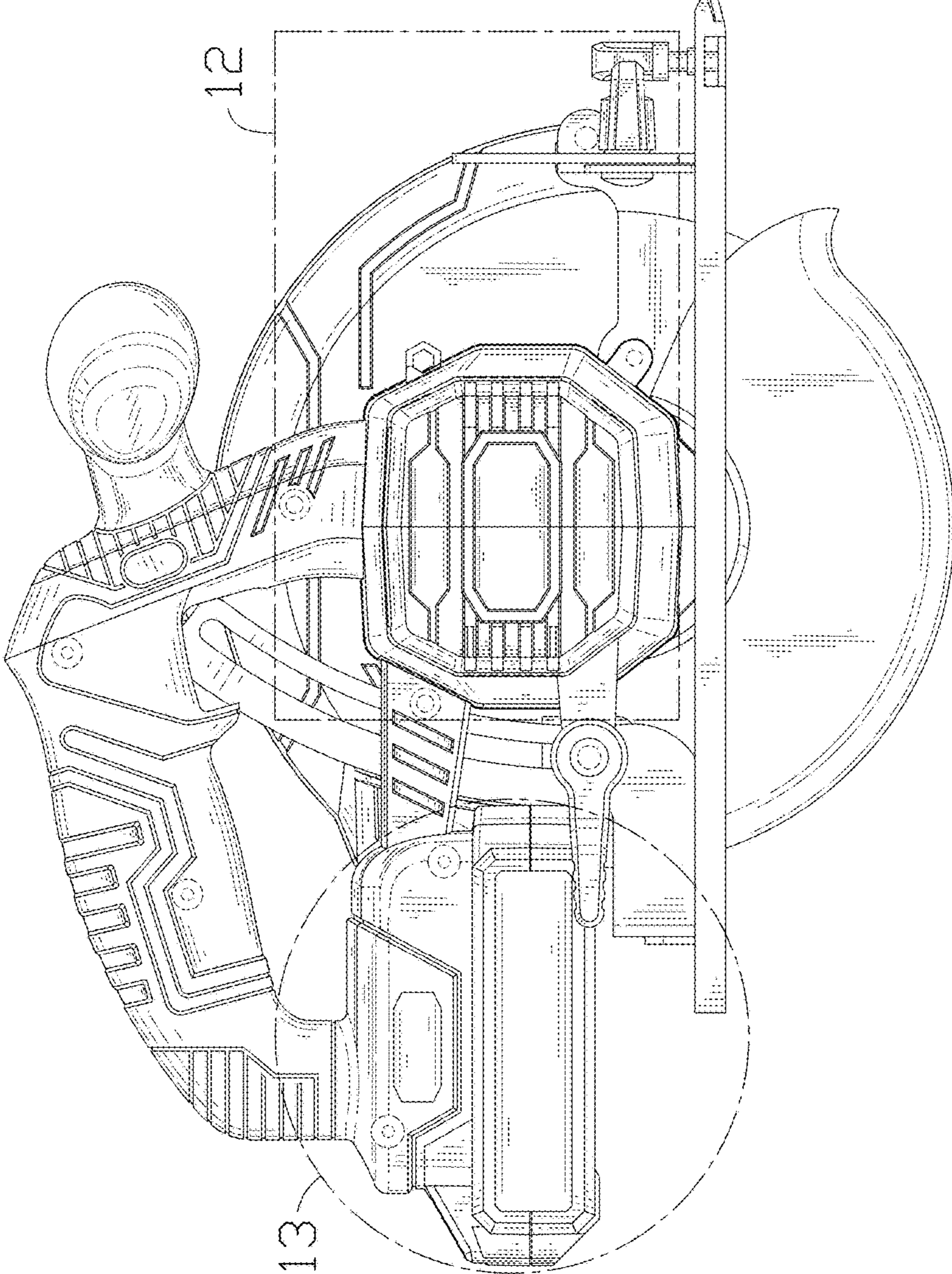


FIG. 3

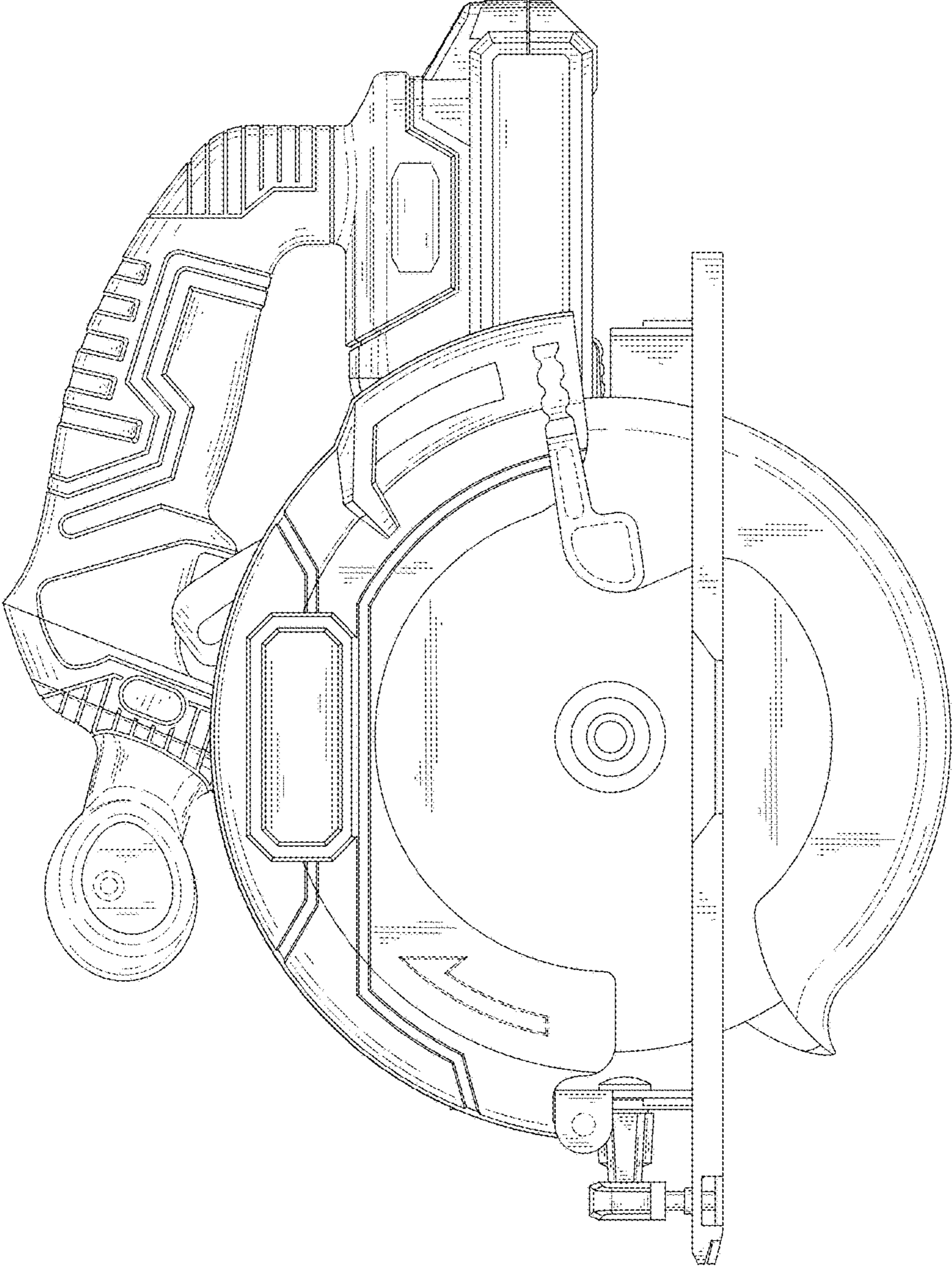


FIG. 4

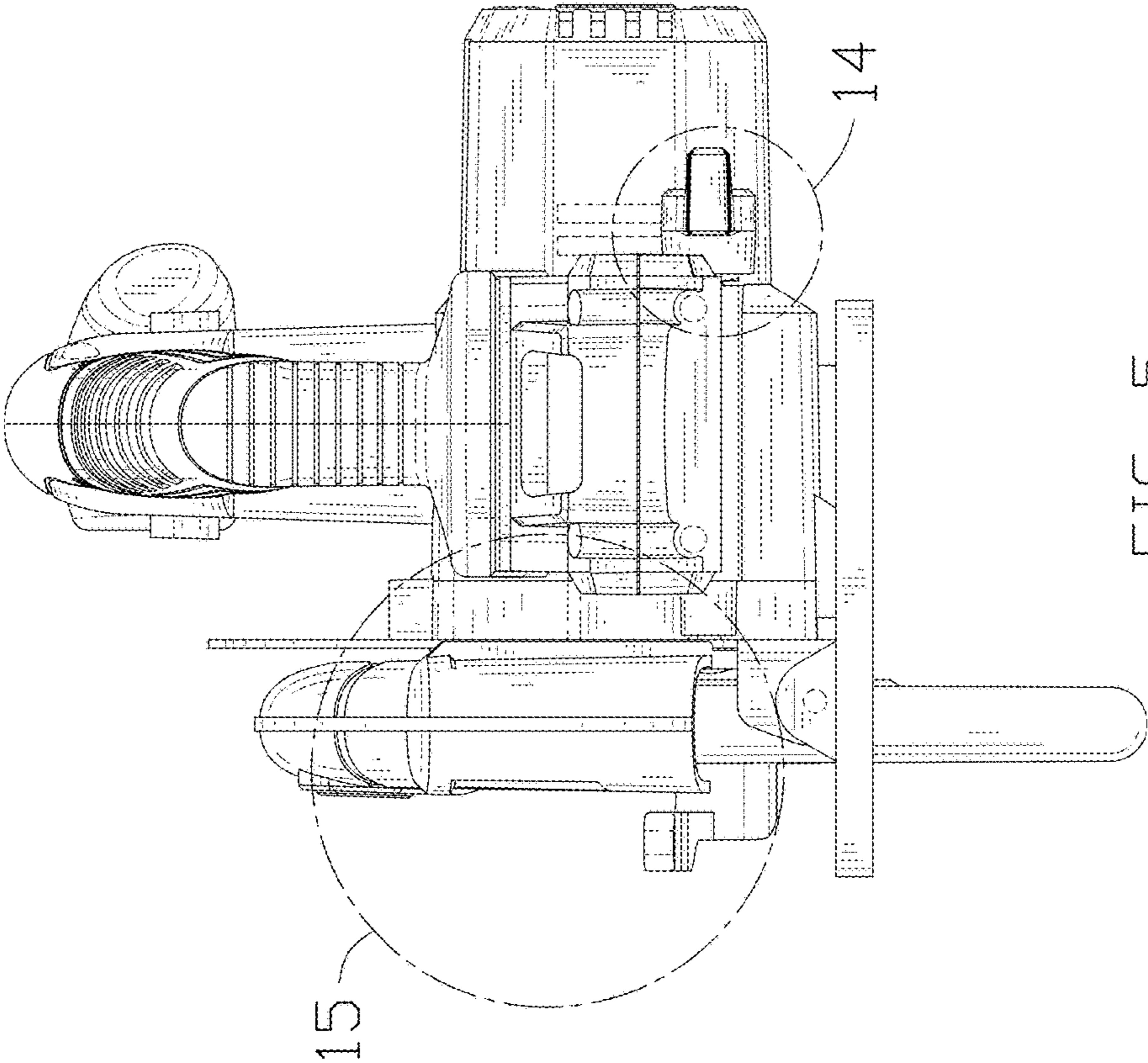
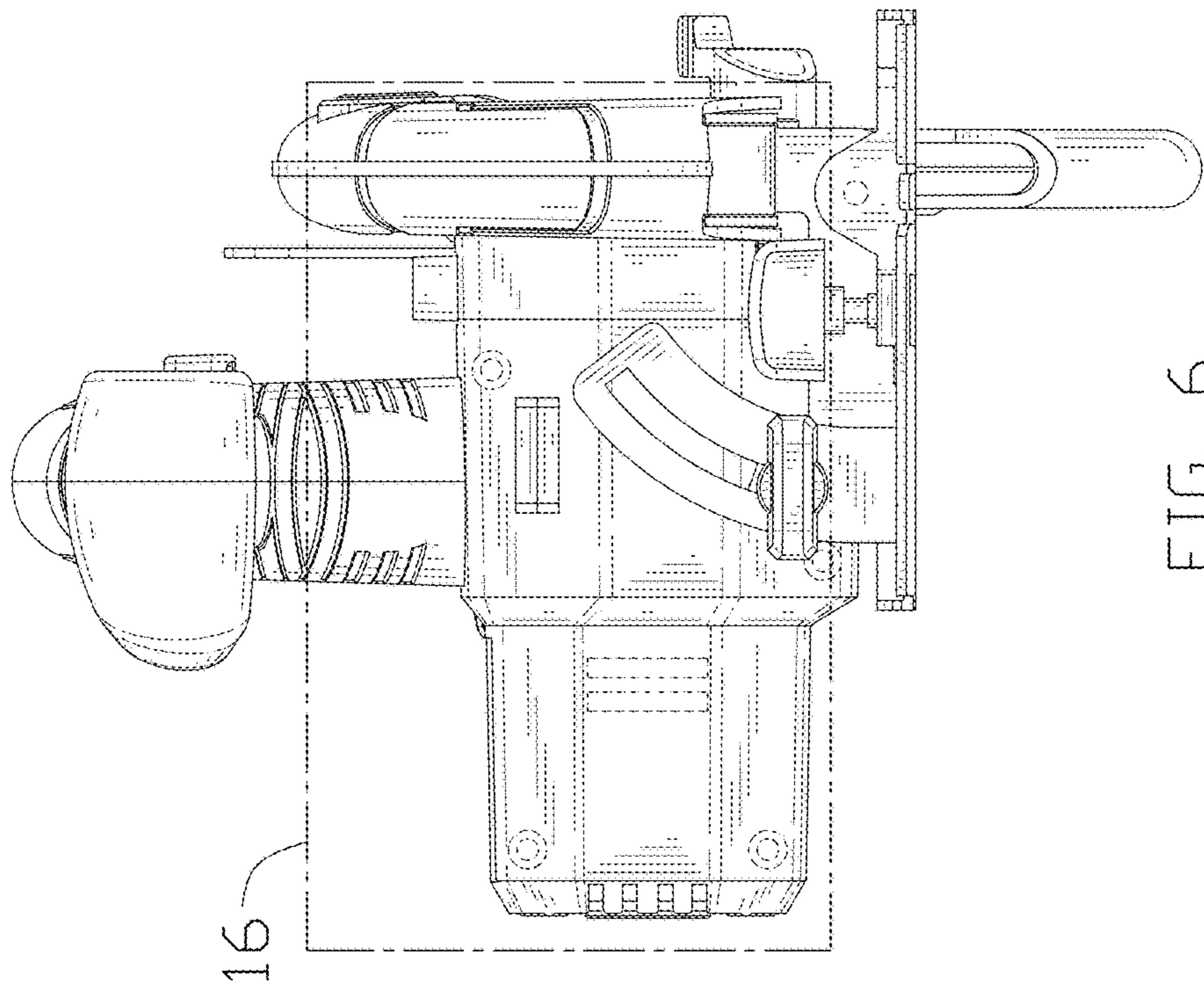


FIG. 5



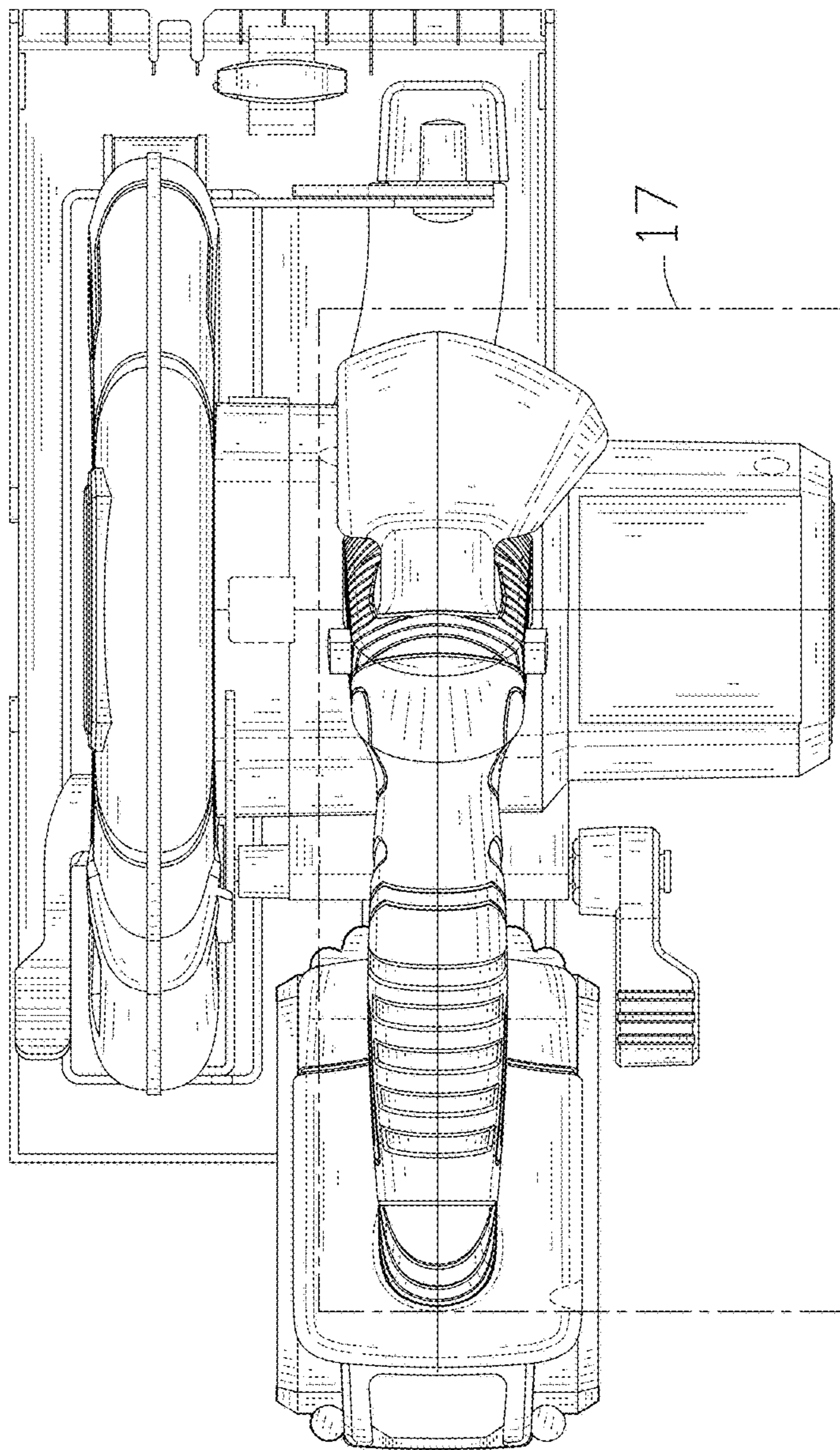


FIG. 7

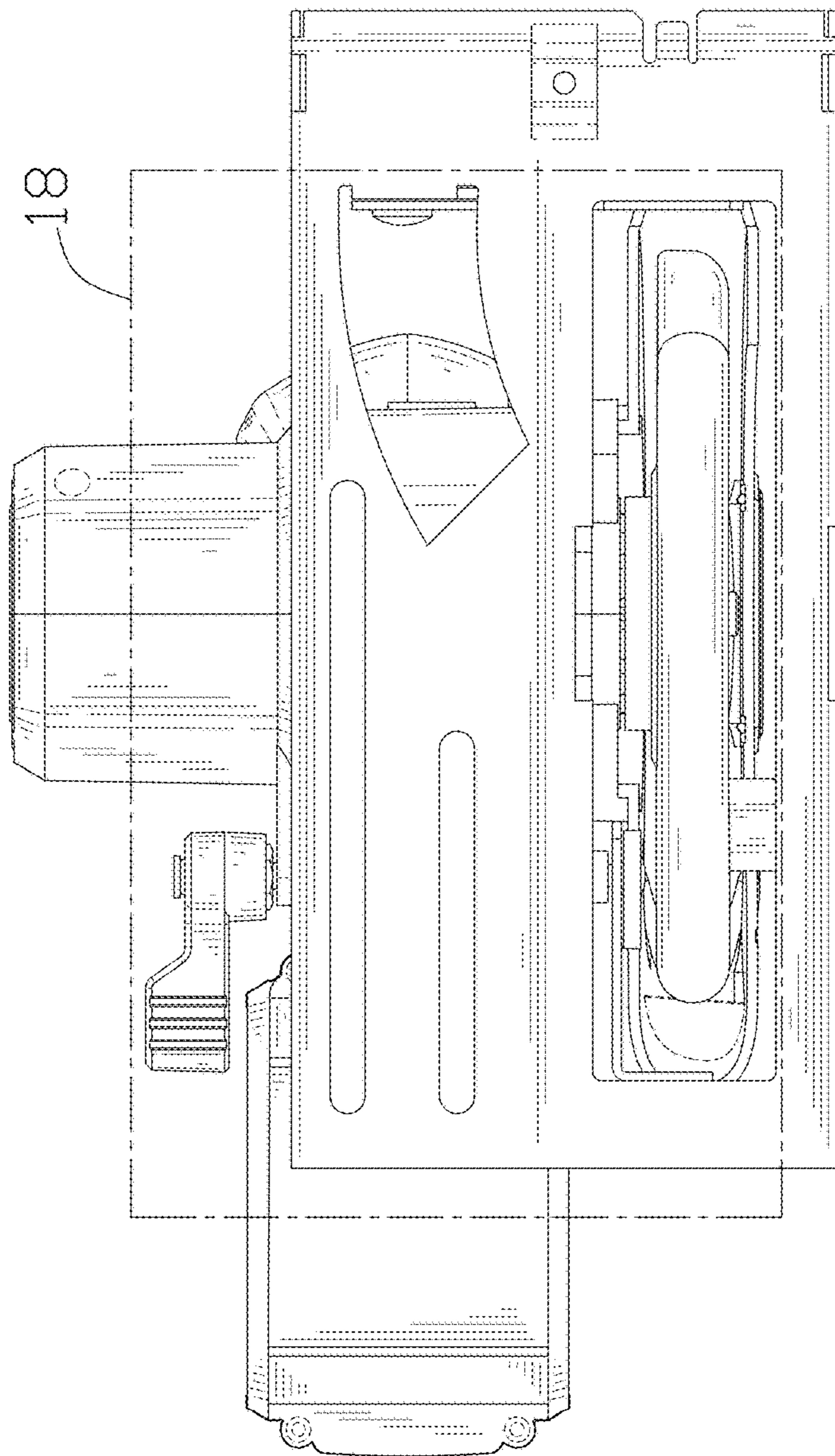


FIG. 8

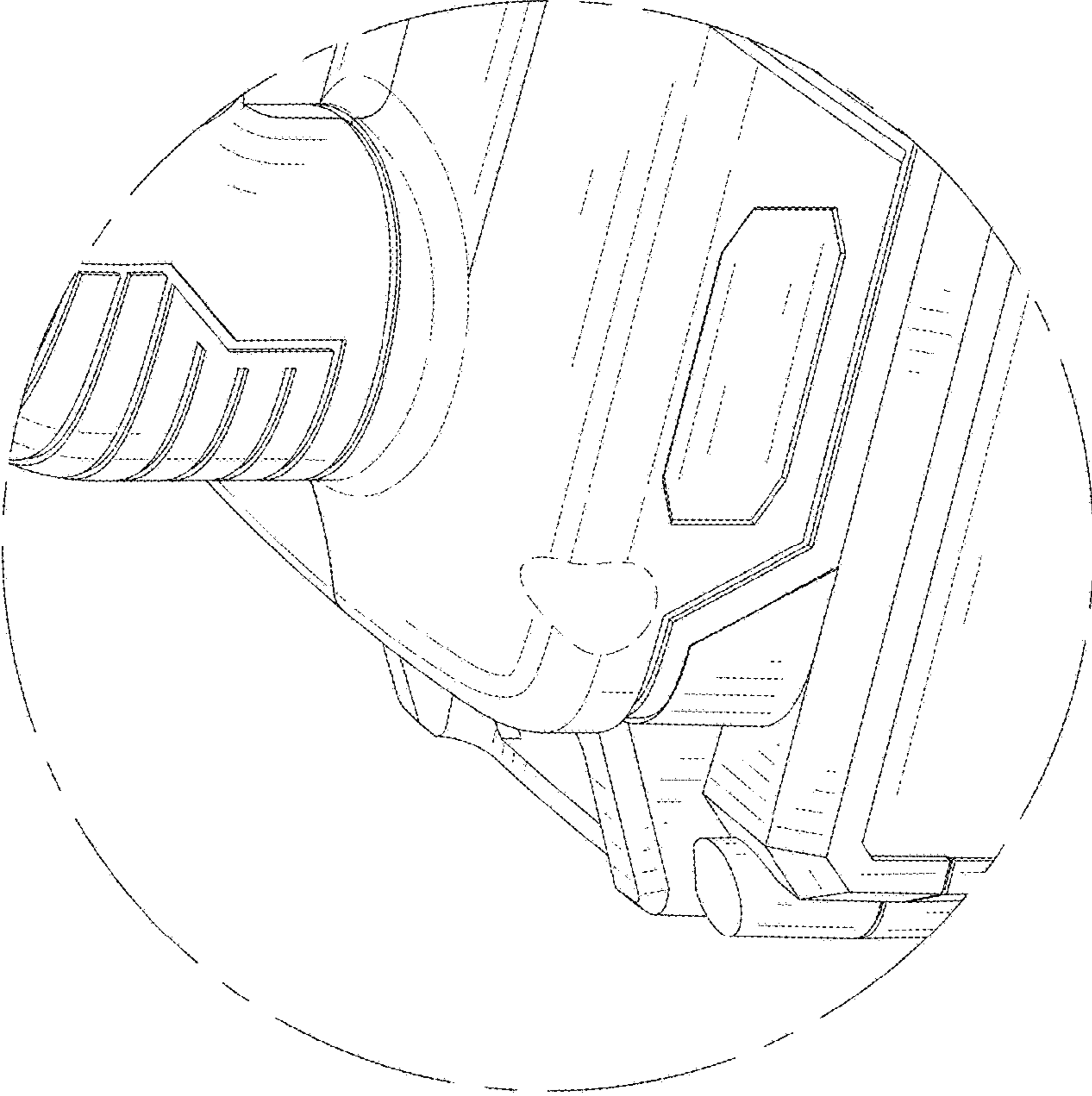


FIG. 9



FIG. 10

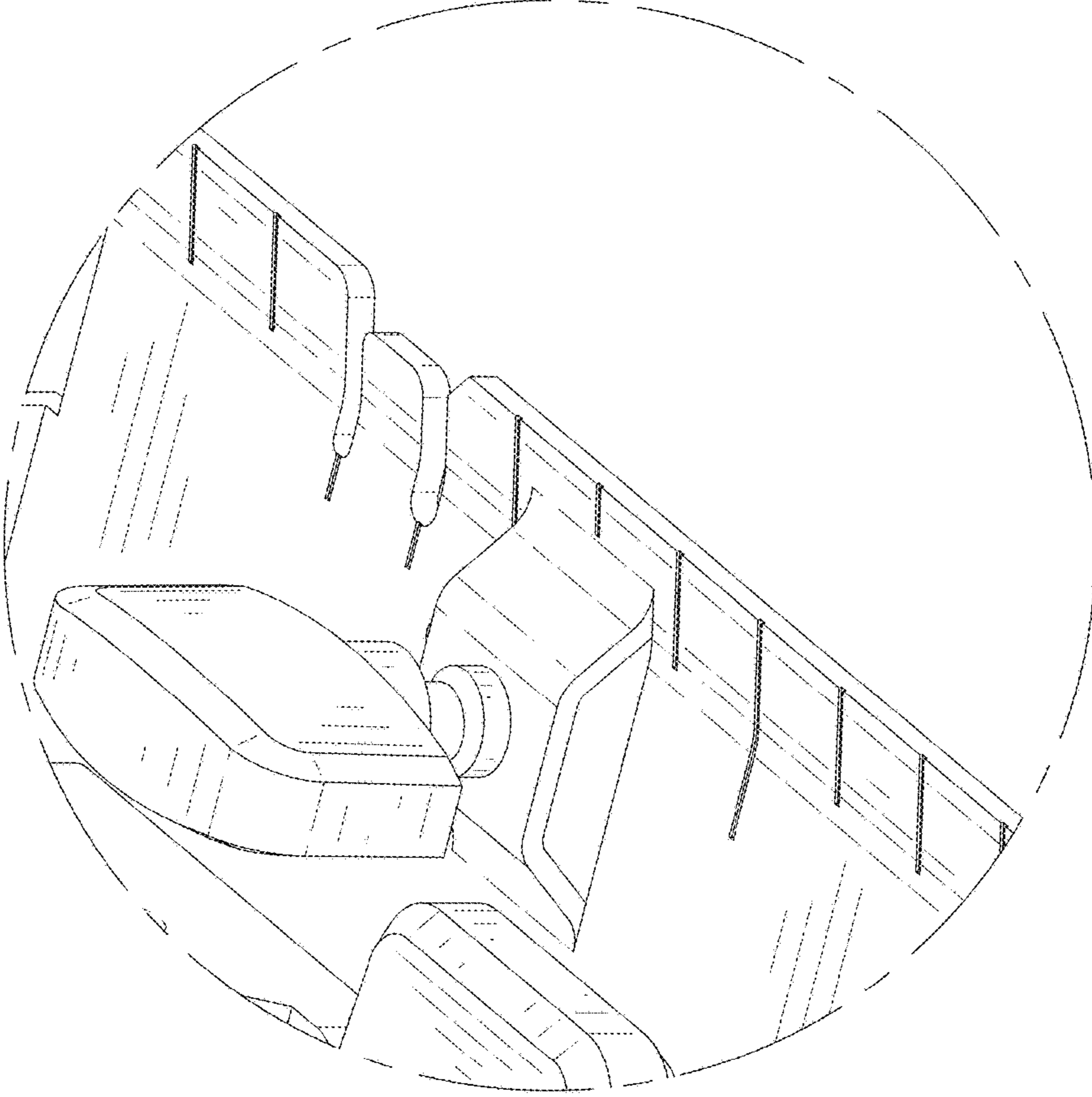


FIG. 11

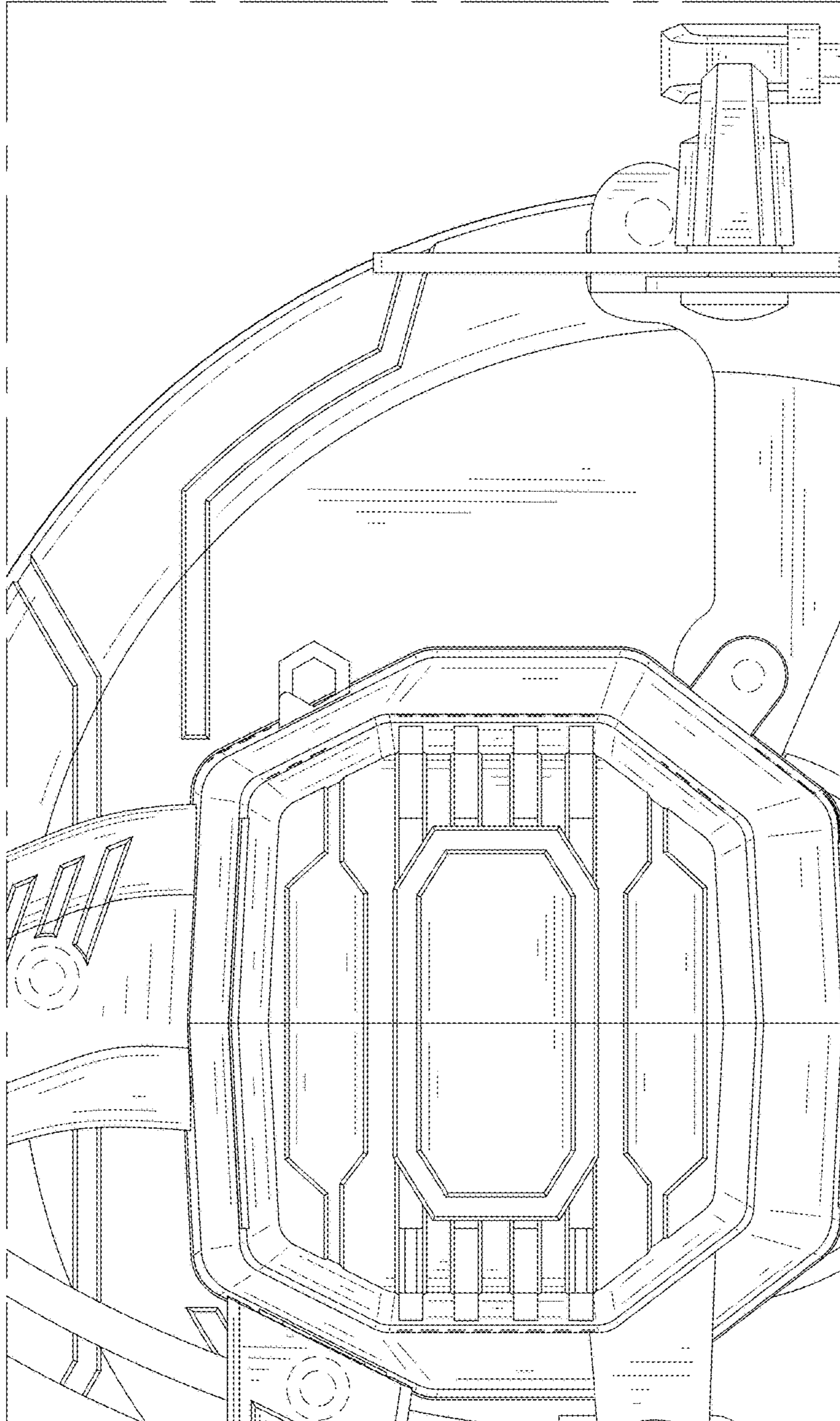


FIG. 12

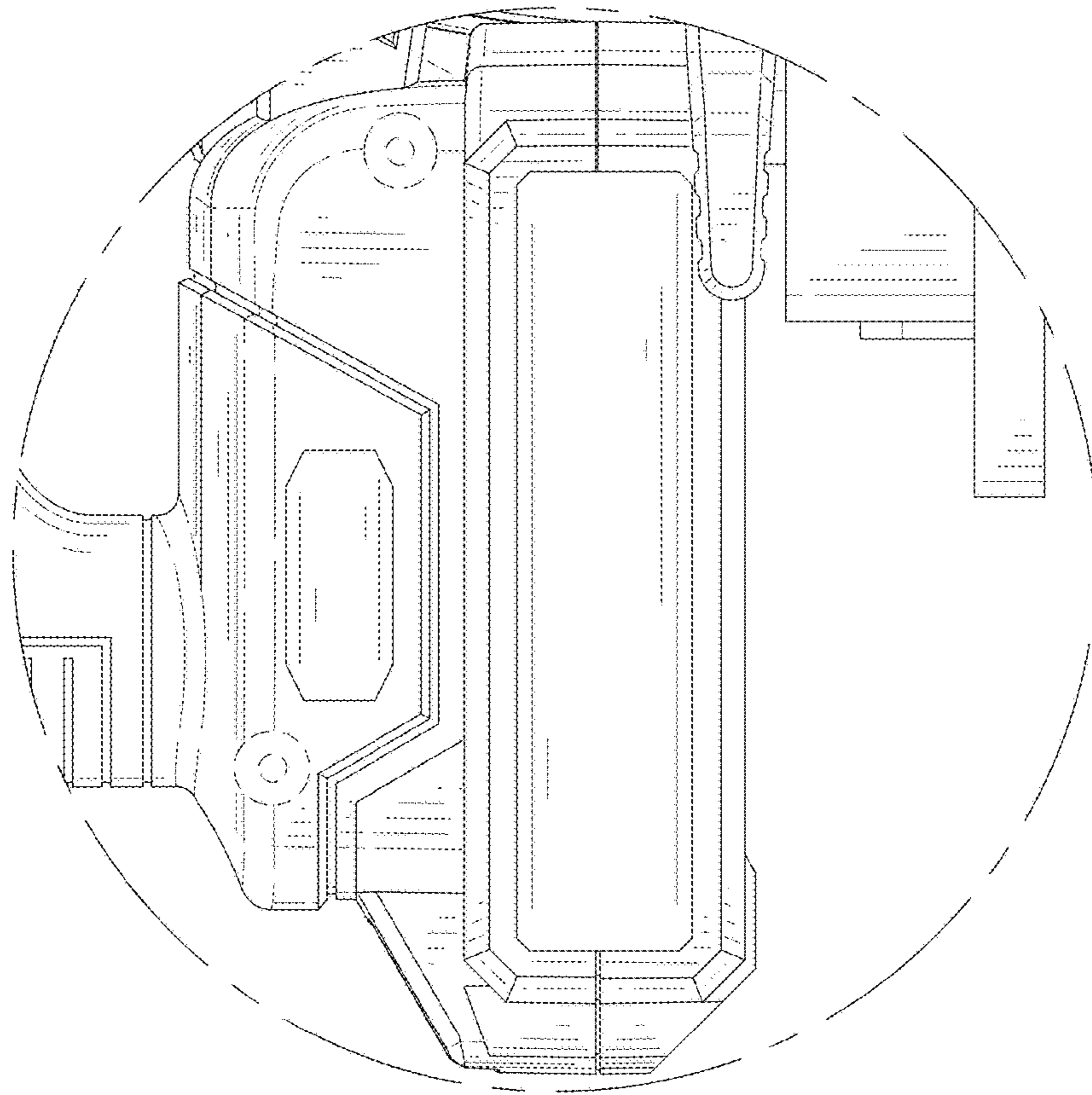


FIG. 13

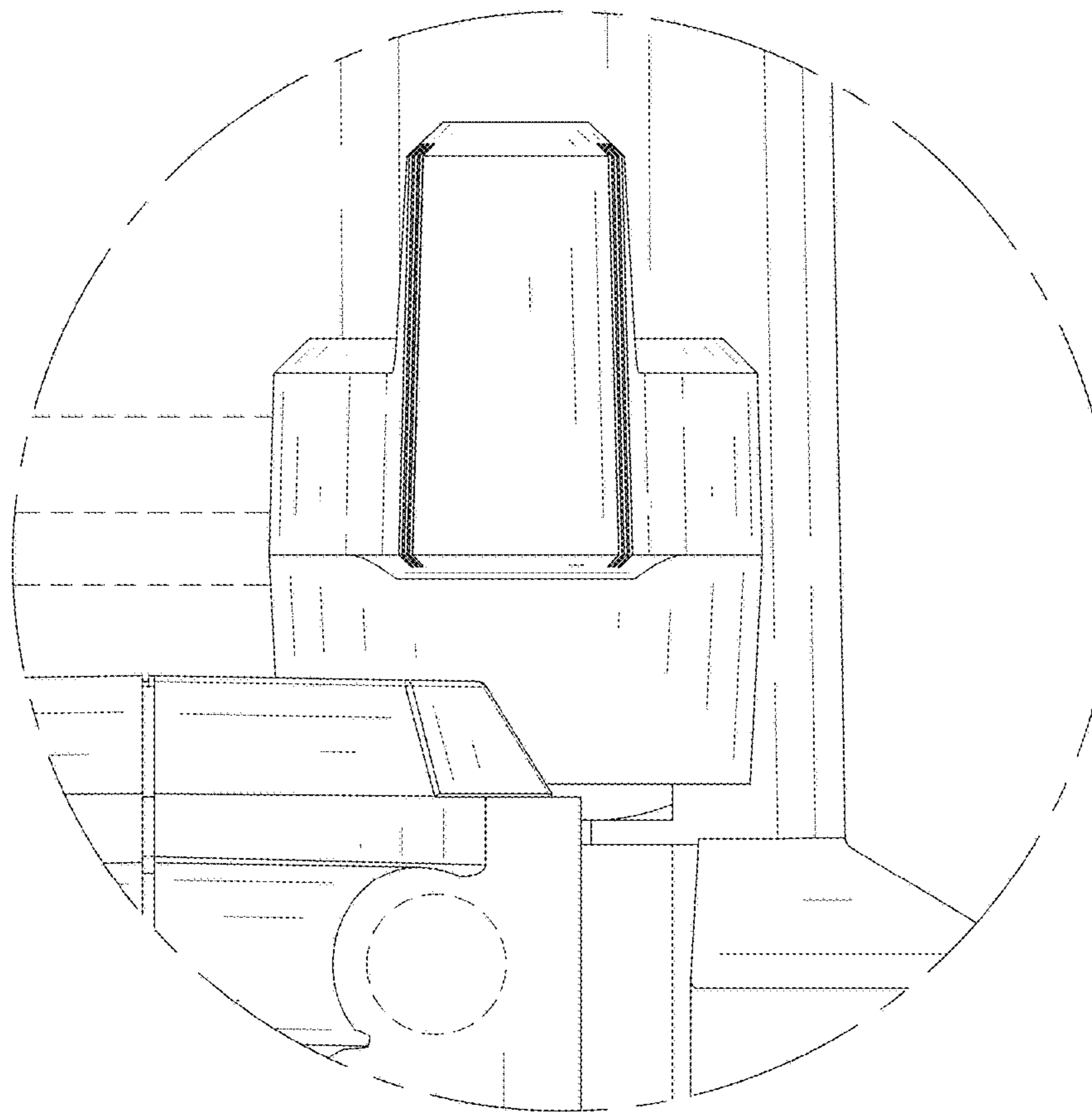


FIG. 14

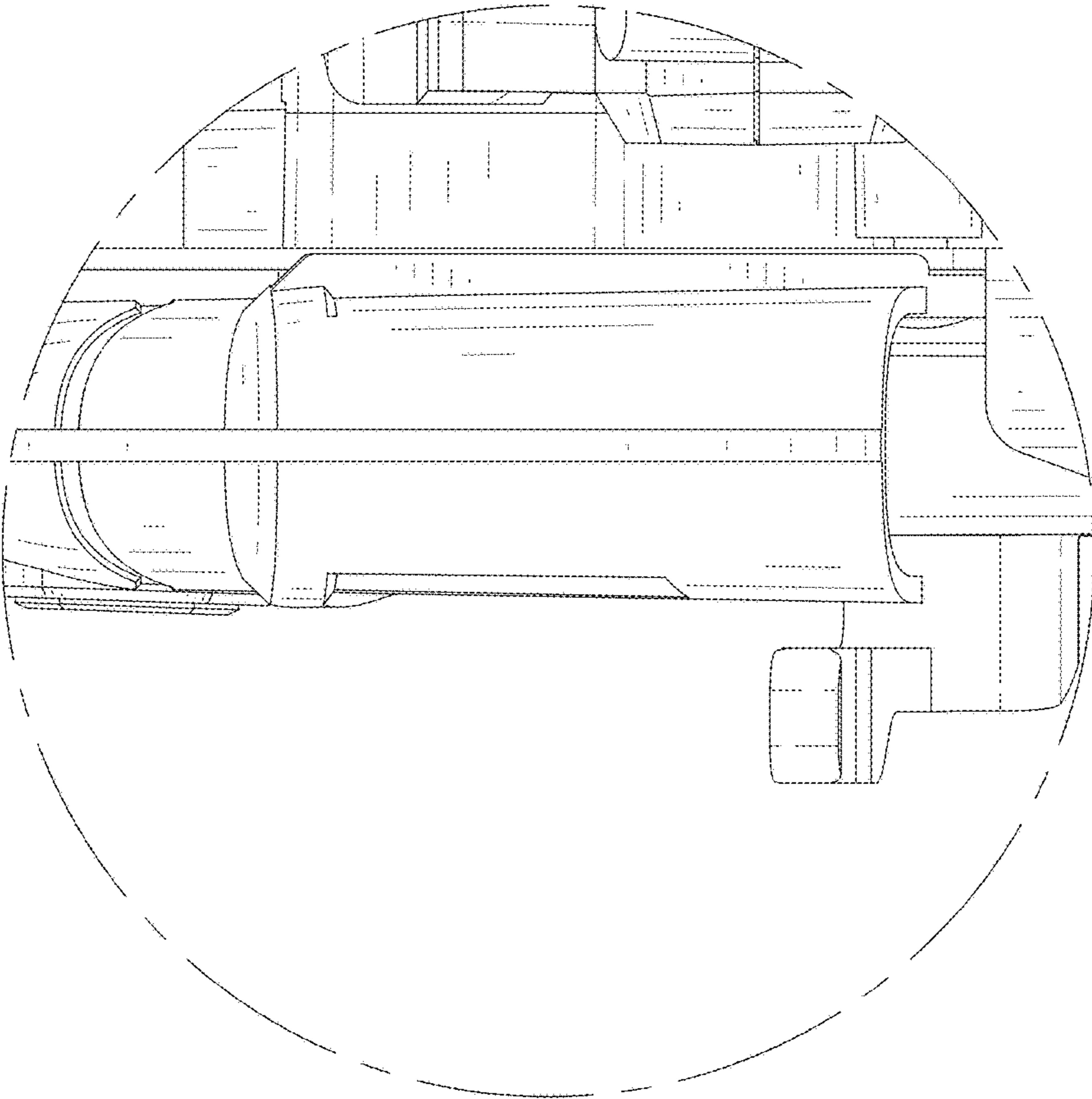


FIG. 15

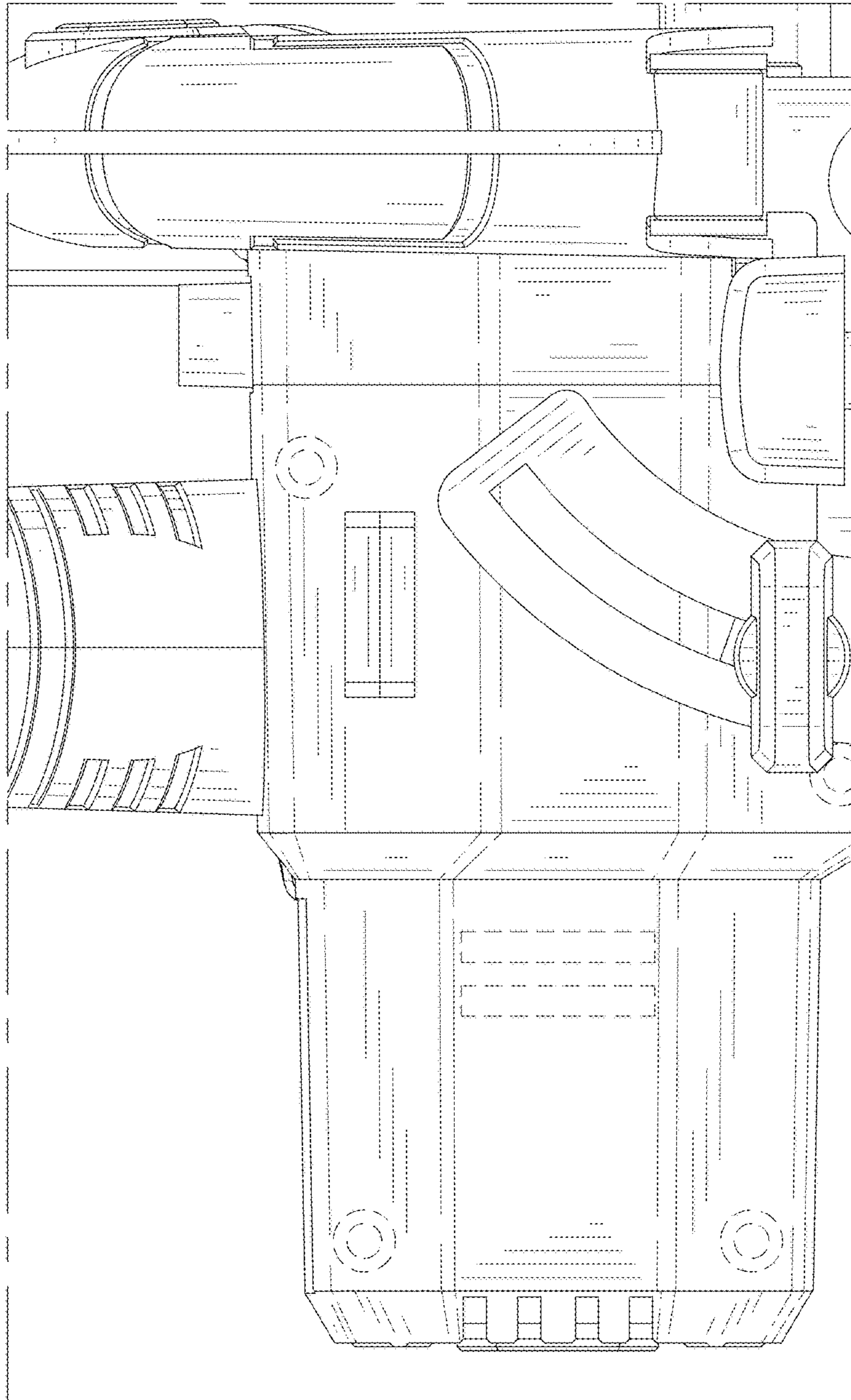


FIG. 16

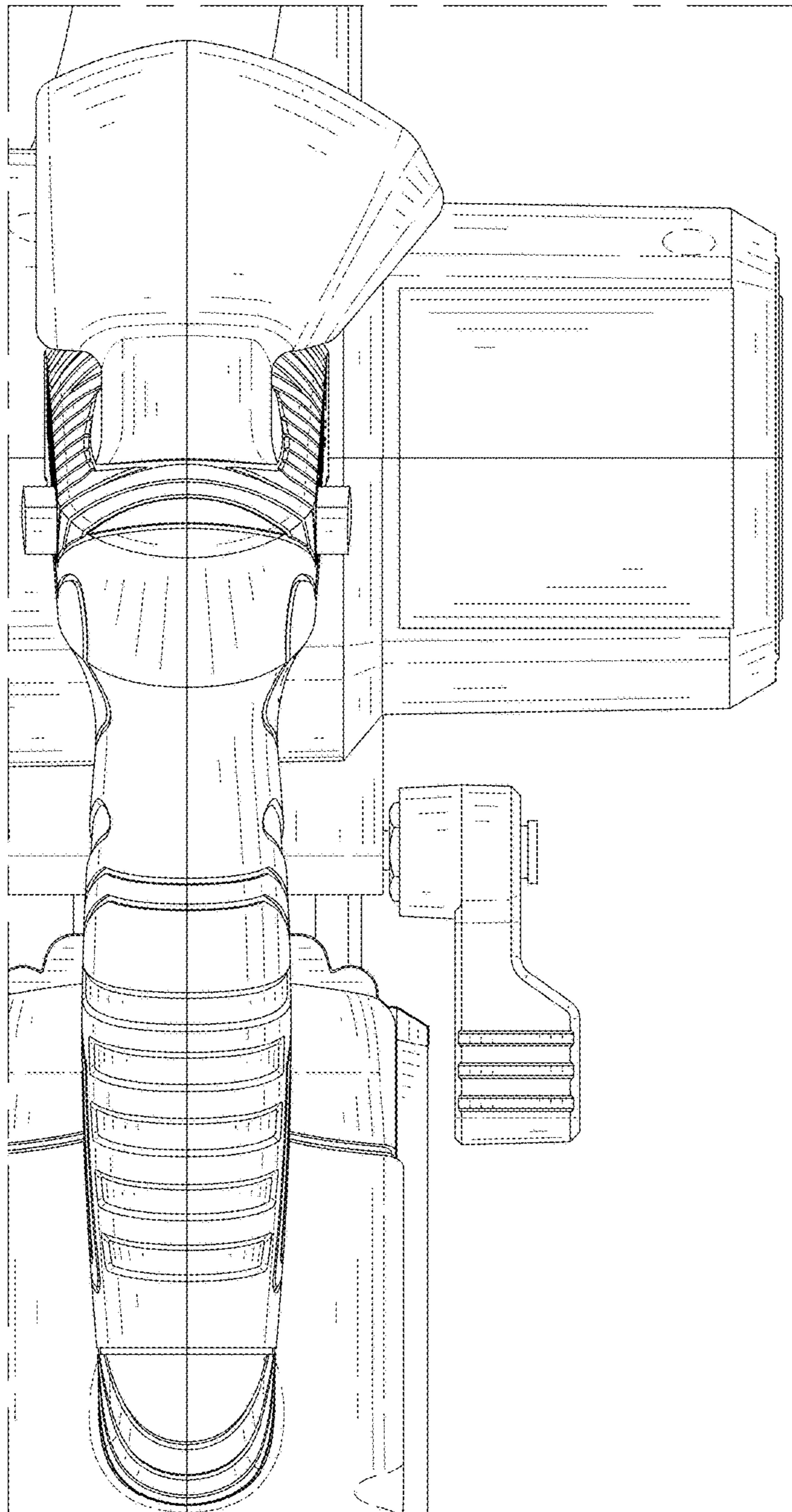


FIG. 17

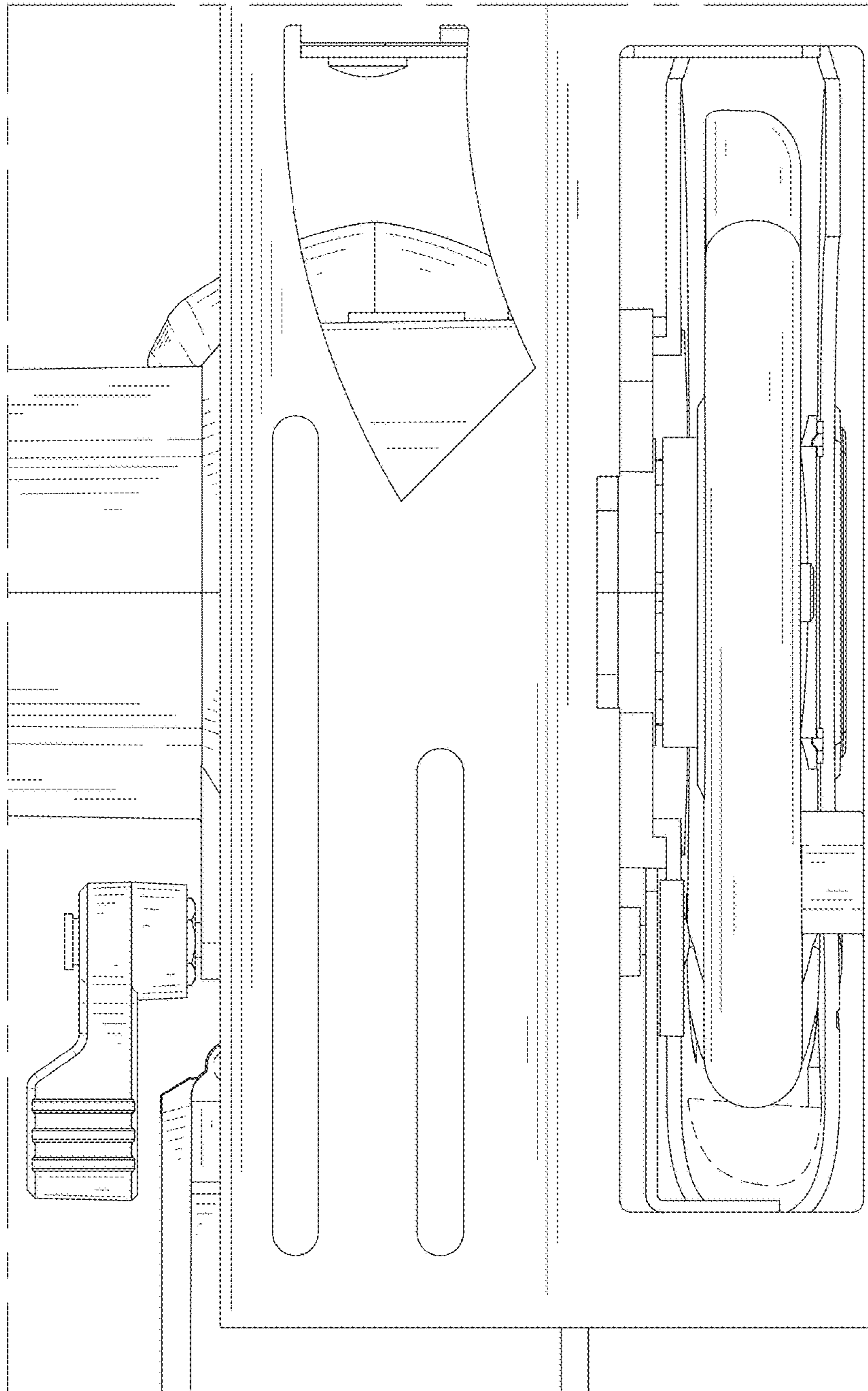


FIG. 18