



US00D863916S

(12) **United States Design Patent**
Yang

(10) **Patent No.:** **US D863,916 S**

(45) **Date of Patent:** **** Oct. 22, 2019**

(54) **RECIPROCATING SAW**

(71) Applicant: **JIANGSU HEHUI POWER TOOLS CO., LTD., Qidong (CN)**

(72) Inventor: **Xiaofei Yang, Qidong (CN)**

(73) Assignee: **Jiangsu Hehui Power Tools Co., Ltd., Qidong (CN)**

(**) Term: **15 Years**

(21) Appl. No.: **29/661,046**

(22) Filed: **Aug. 24, 2018**

(30) **Foreign Application Priority Data**

May 30, 2018 (CN) 2018 3 0263947

(51) **LOC (12) Cl.** **08-03**

(52) **U.S. Cl.**
USPC **D8/64**

(58) **Field of Classification Search**

USPC D8/69, 68, 67, 66, 65, 64, 62, 61; 30/92,
30/394, 393, 392, 377, 376, 371; 74/50,
74/49; 173/217, 216; 83/699.21;
446/145

CPC B26B 7/00; B23D 51/16; B23D 51/10;
B25F 5/02; B62B 7/00

See application file for complete search history.

(56) **References Cited**

U.S. PATENT DOCUMENTS

D471,417 S *	3/2003	Chunn	D8/64
D471,418 S *	3/2003	Chunn	D8/64
D473,771 S *	4/2003	Hayakawa	D8/64
D474,088 S *	5/2003	Chunn	D8/64
D480,616 S *	10/2003	Welsh	D8/64
D523,312 S *	6/2006	Ozawa	D8/64
D525,845 S *	8/2006	Welsh	D8/64
D526,177 S *	8/2006	Lui	D8/64

D551,045 S *	9/2007	Kokawa	D8/64
D560,988 S *	2/2008	Watson	D8/64
D591,574 S *	5/2009	DiPasquale	D8/64
D596,005 S *	7/2009	Schoch	D8/64
D688,928 S *	9/2013	Busschaert	D8/64
D705,627 S *	5/2014	Schoch	D8/64
D752,406 S *	3/2016	Kanda	D8/64
D790,300 S *	6/2017	Waldron	D8/64

(Continued)

Primary Examiner — Austin Murphy

(57) **CLAIM**

The ornamental design for a reciprocating saw, as shown and described.

DESCRIPTION

FIG. 1 is a top-down perspective view of a reciprocating saw showing my new design;

FIG. 2 is a bottom-up perspective view thereof;

FIG. 3 is a front side elevation view thereof;

FIG. 4 is a rear side elevation view thereof;

FIG. 5 is a left side elevation view thereof;

FIG. 6 is a right side elevation view thereof;

FIG. 7 is a top plan view thereof;

FIG. 8 is a bottom plan view thereof;

FIG. 9 is a first partially enlarged view of FIG. 3;

FIG. 10 is a second partially enlarged view of FIG. 3;

FIG. 11 is a partially enlarged view of FIG. 4;

FIG. 12 is a partially enlarged view of FIG. 5;

FIG. 13 is a partially enlarged view of FIG. 6;

FIG. 14 is a first partially enlarged view of FIG. 7;

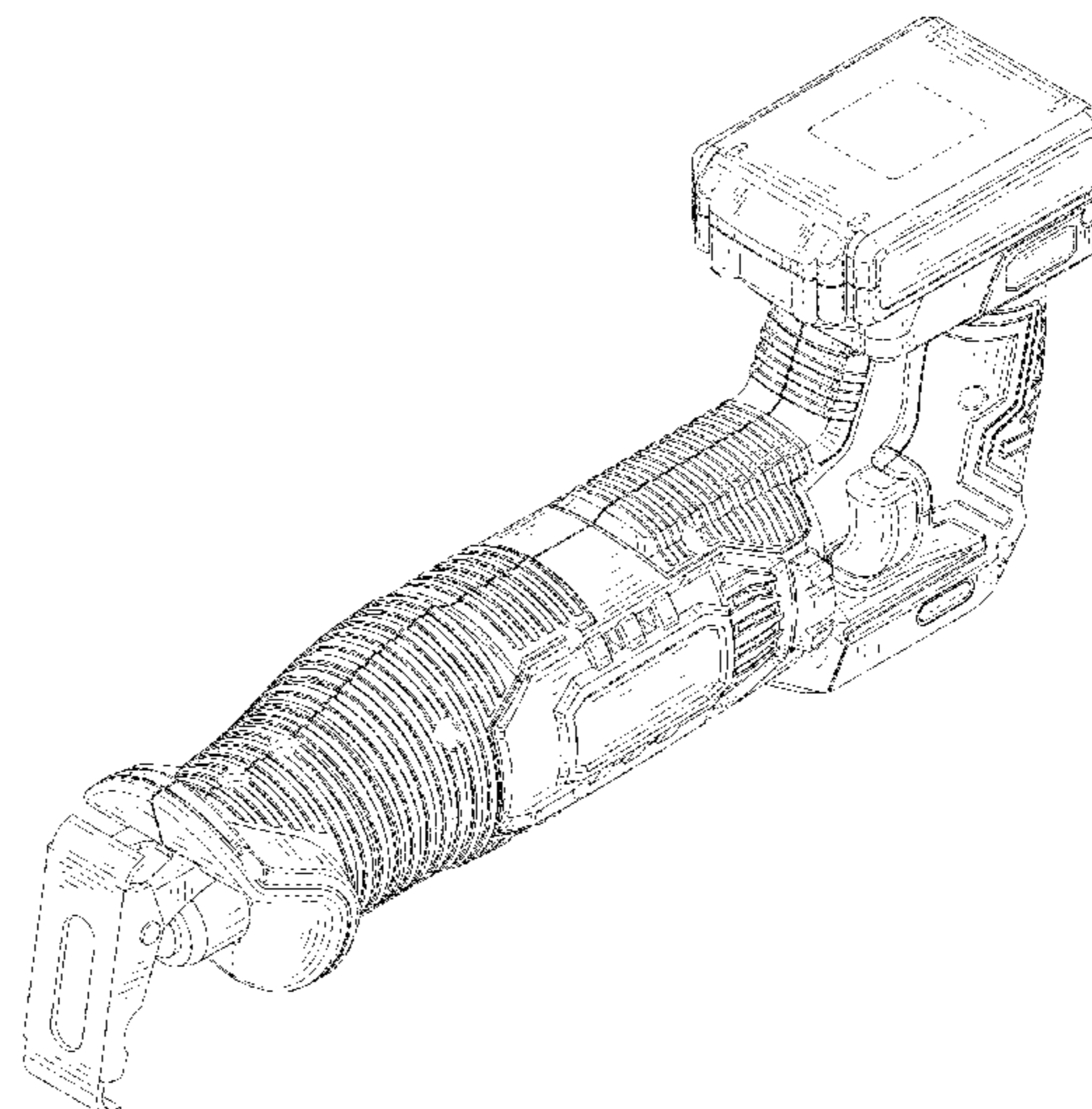
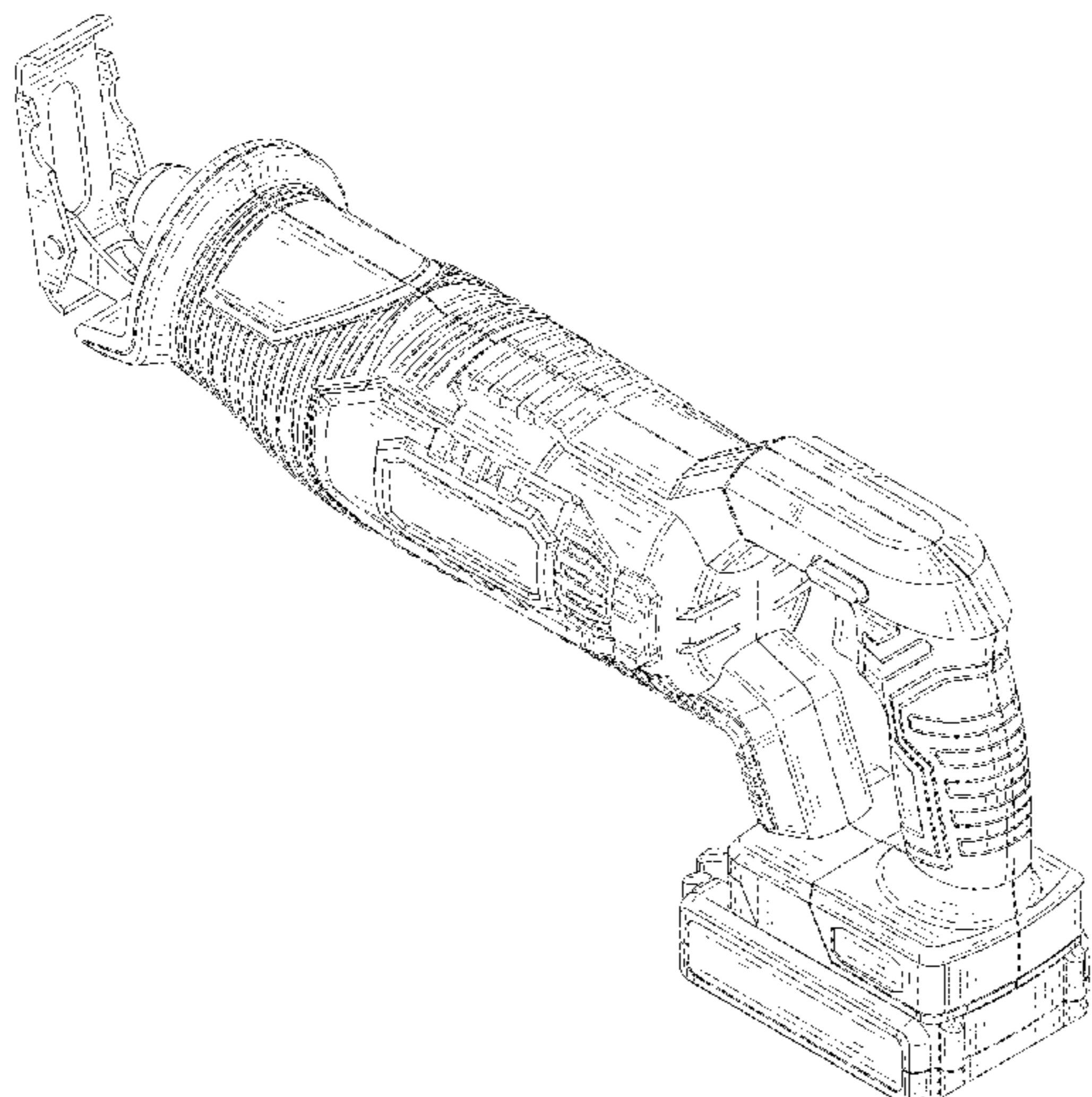
FIG. 15 is a second partially enlarged view of FIG. 7;

FIG. 16 is a first partially enlarged view of FIG. 8; and,

FIG. 17 is a second partially enlarged view of FIG. 8.

Broken lines depict portions of the reciprocating saw that form no part of the claimed design. Dot-dash broken lines depict boundaries of the partially enlarged part of the corresponding figures that form no part of the claimed design.

1 Claim, 17 Drawing Sheets



(56)

References Cited

U.S. PATENT DOCUMENTS

D790,939 S * 7/2017 Elder D8/64
D830,146 S * 10/2018 Croghan D8/64

* cited by examiner

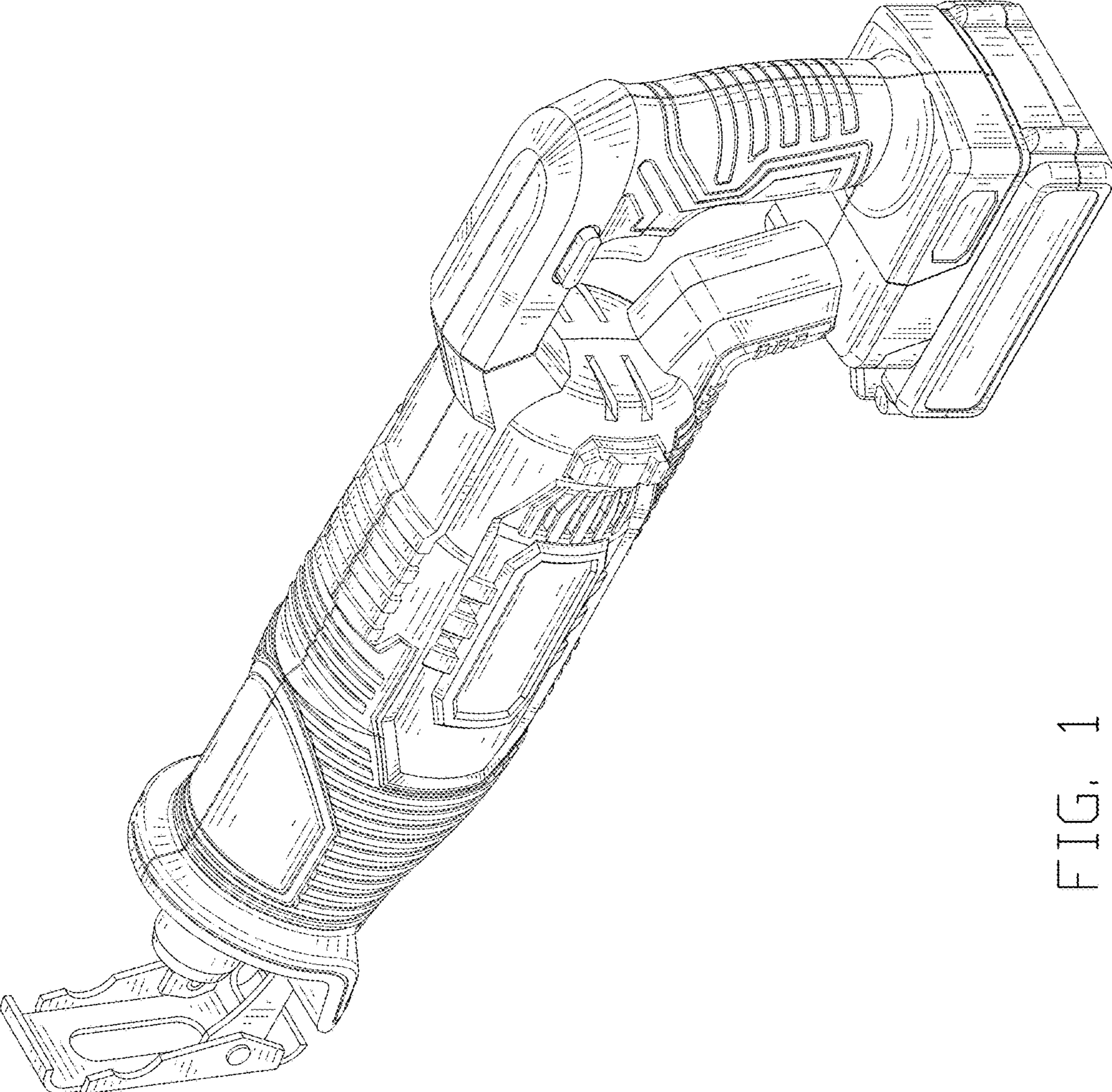


FIG. 1

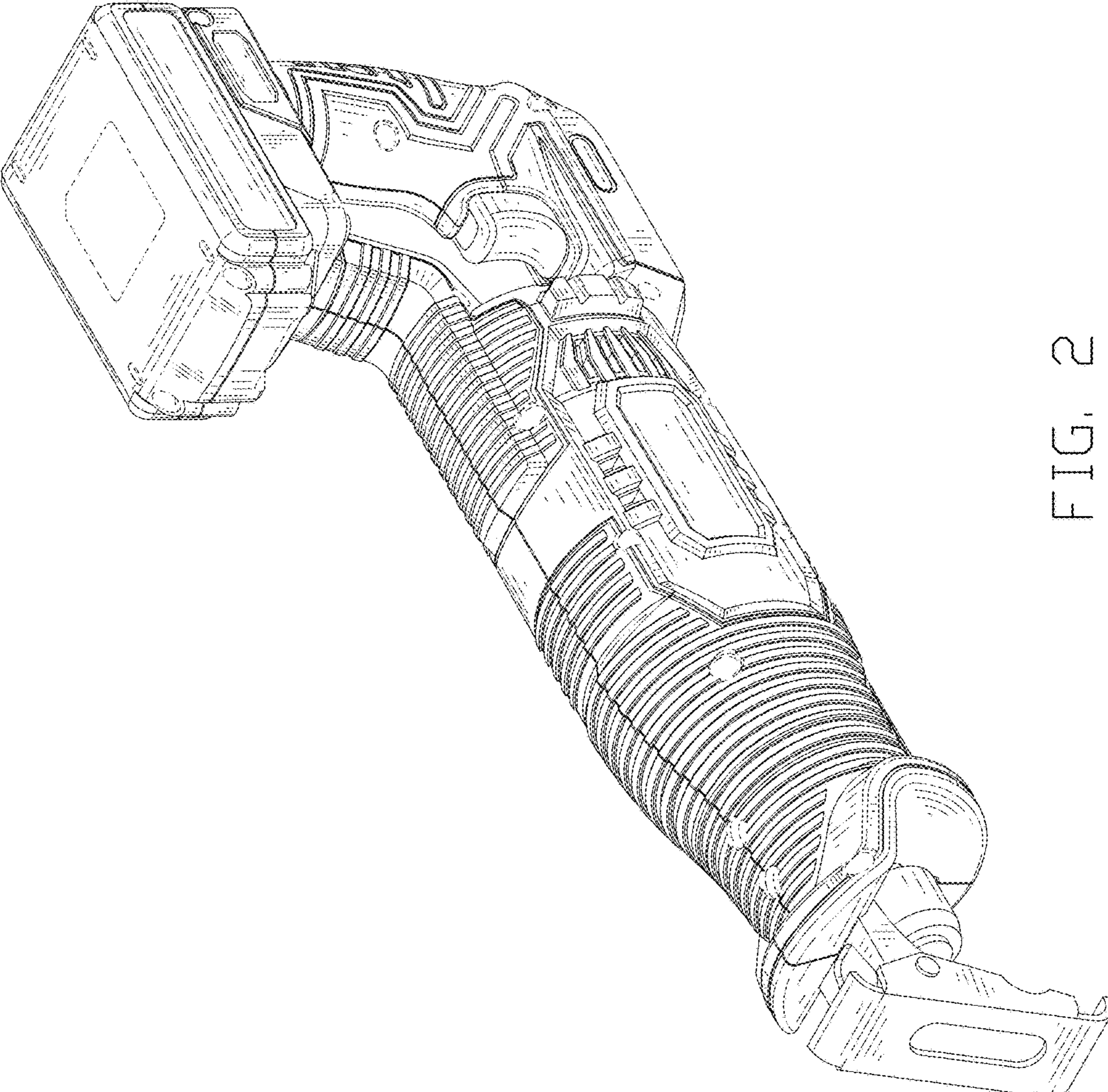


FIG. 2

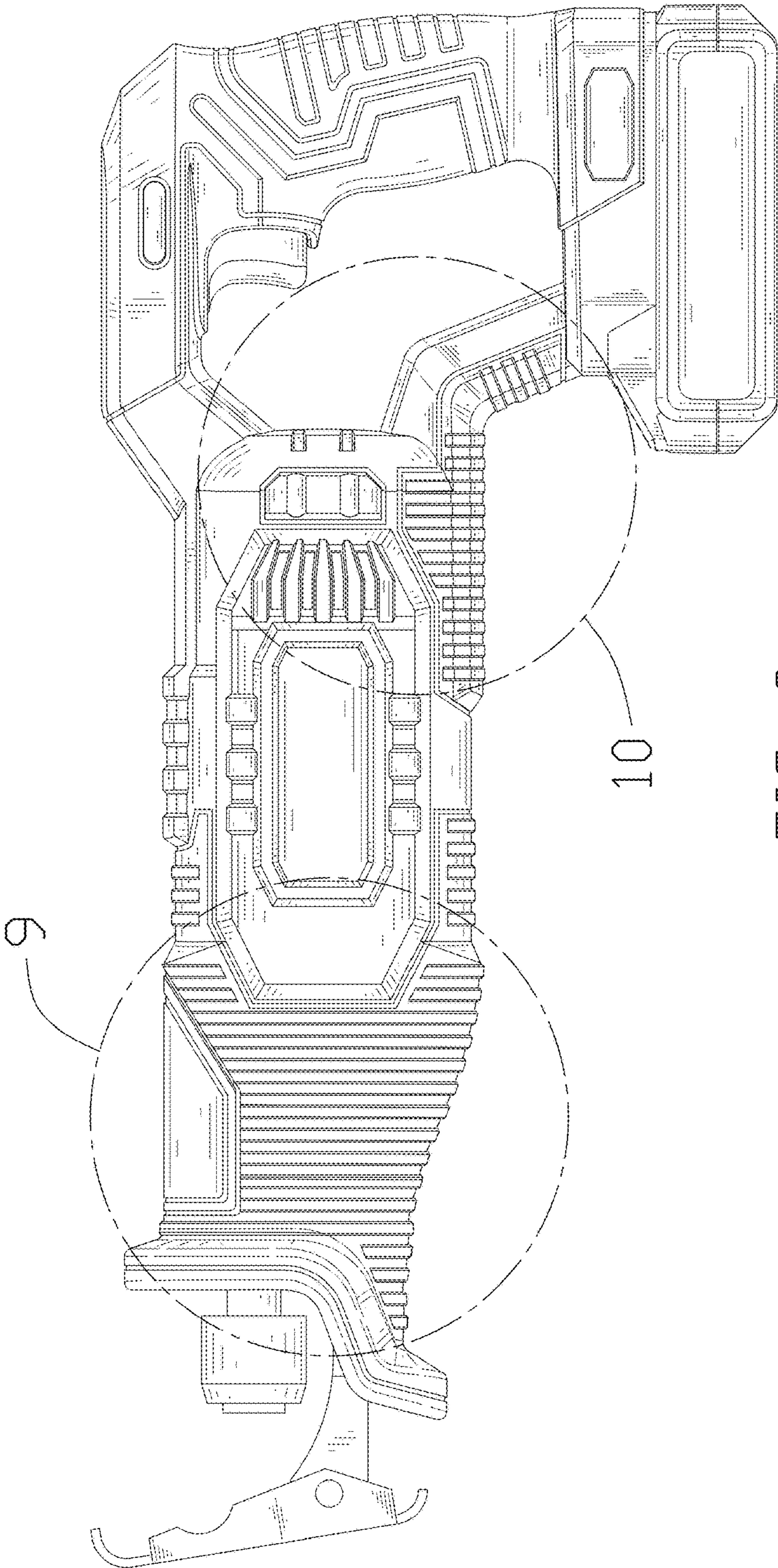


FIG. 3

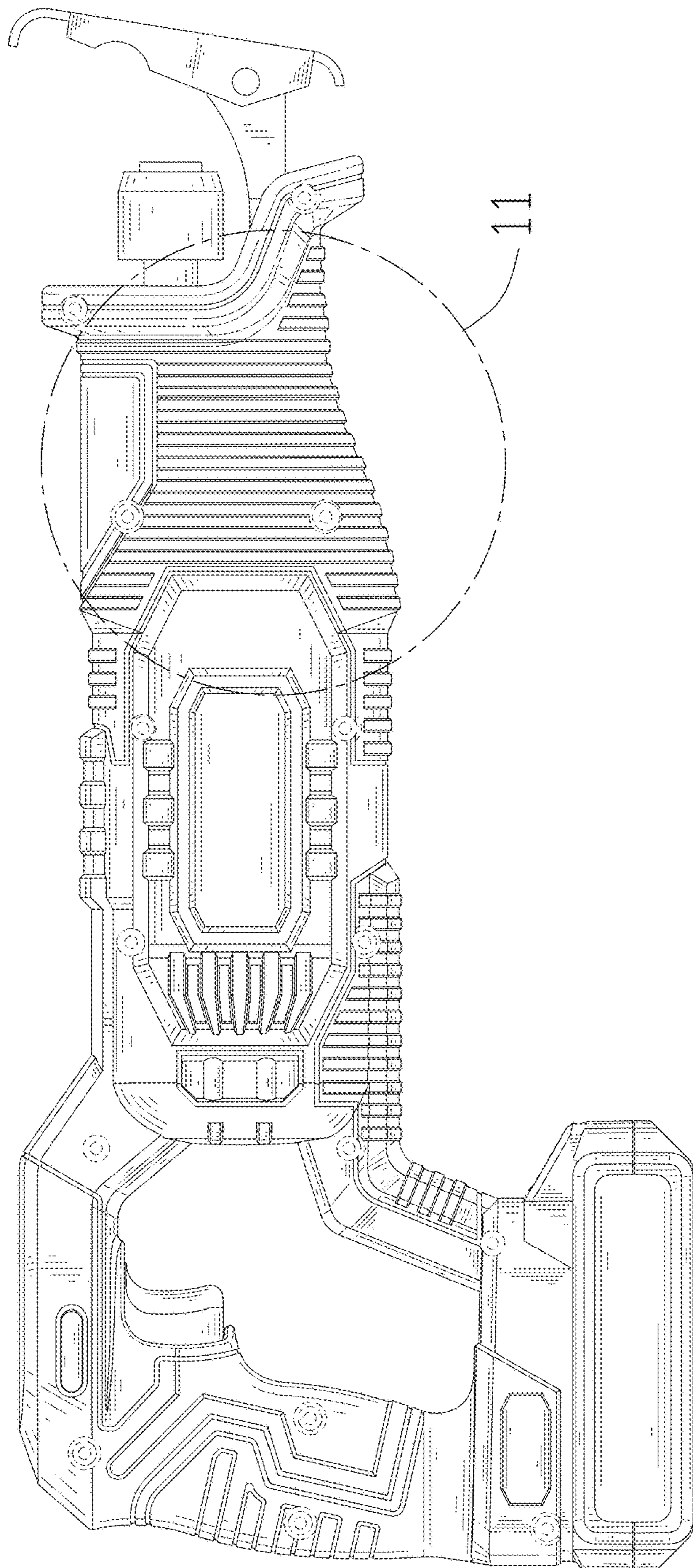


FIG. 4

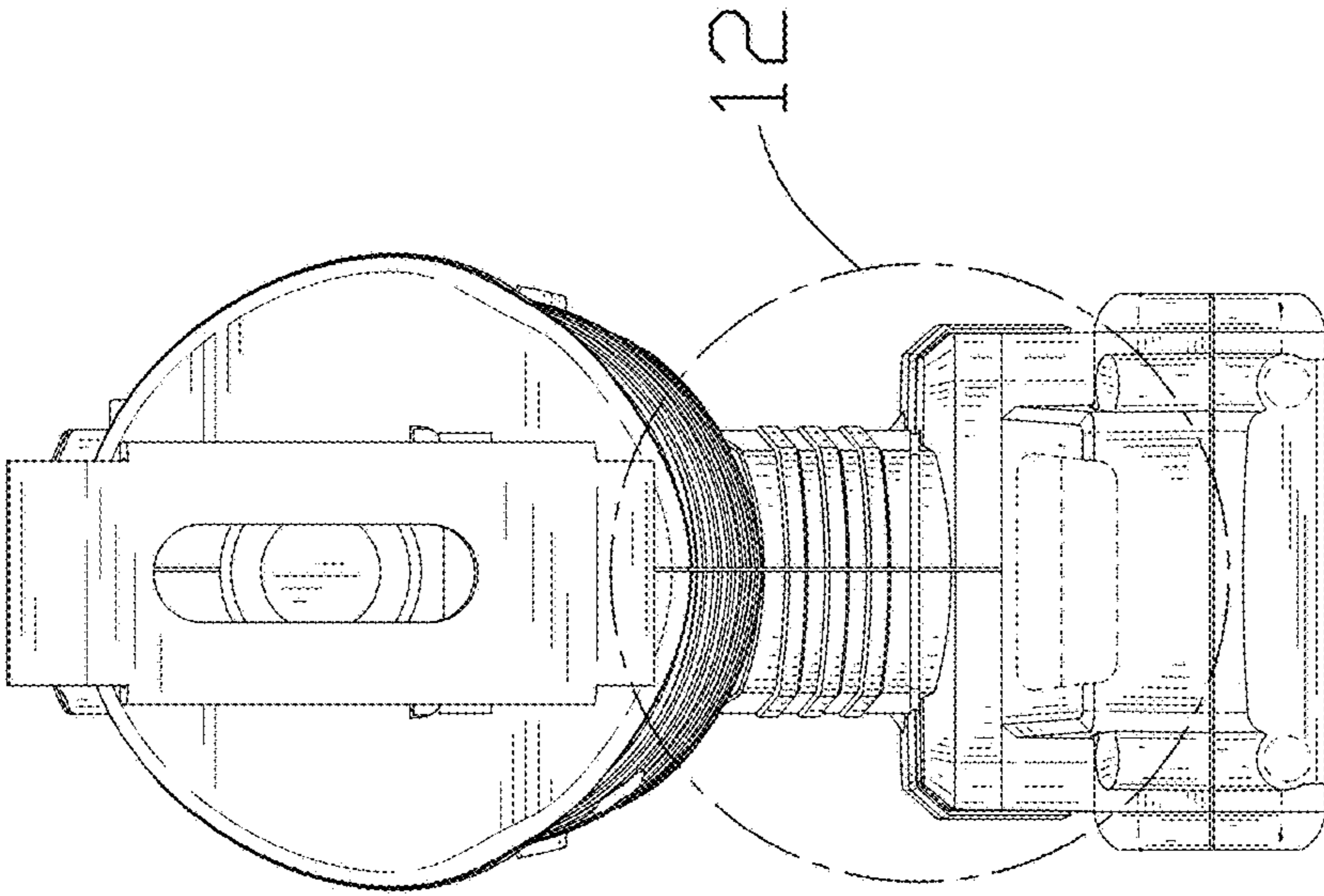


FIG. 5

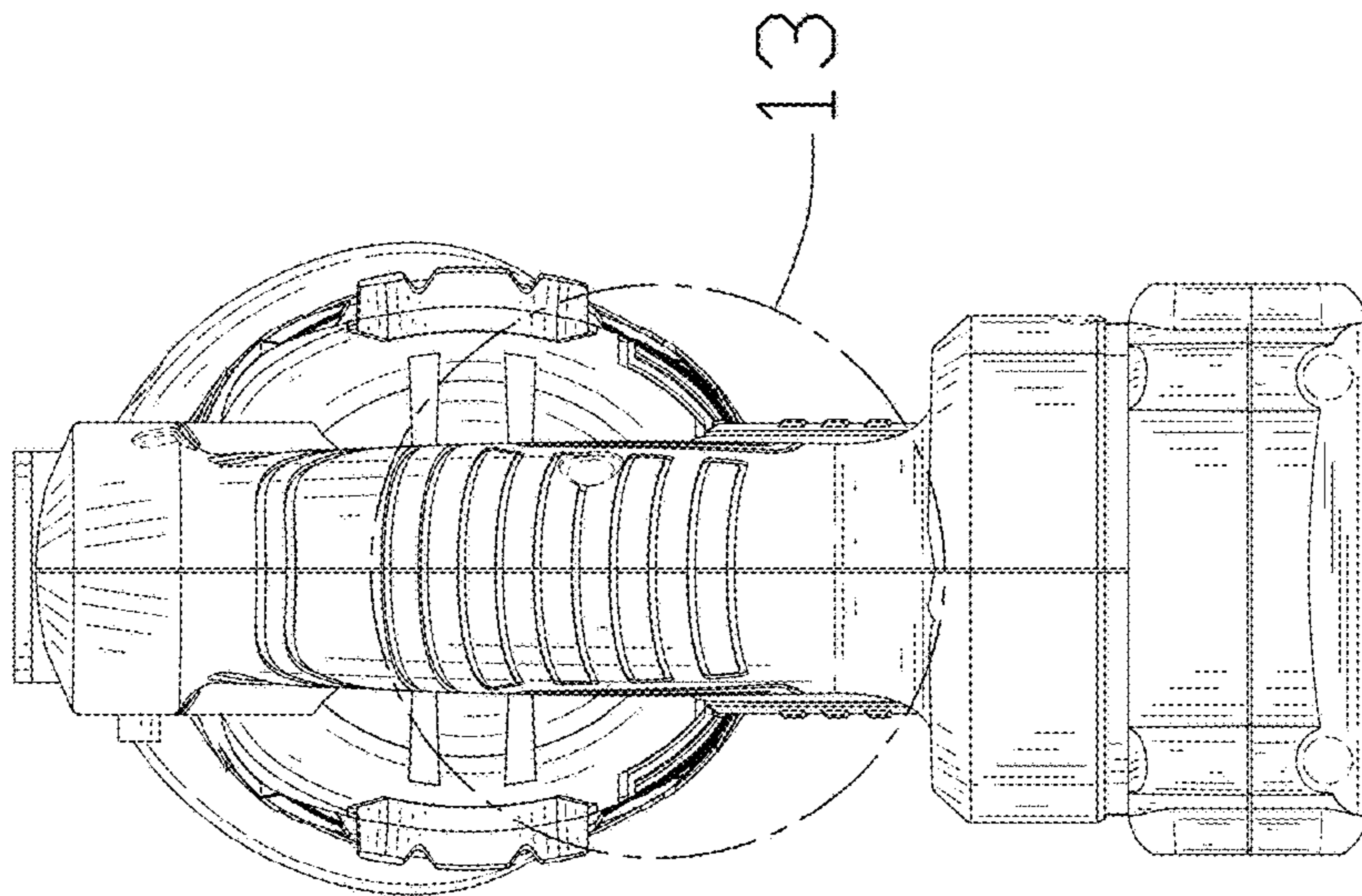


FIG. 6

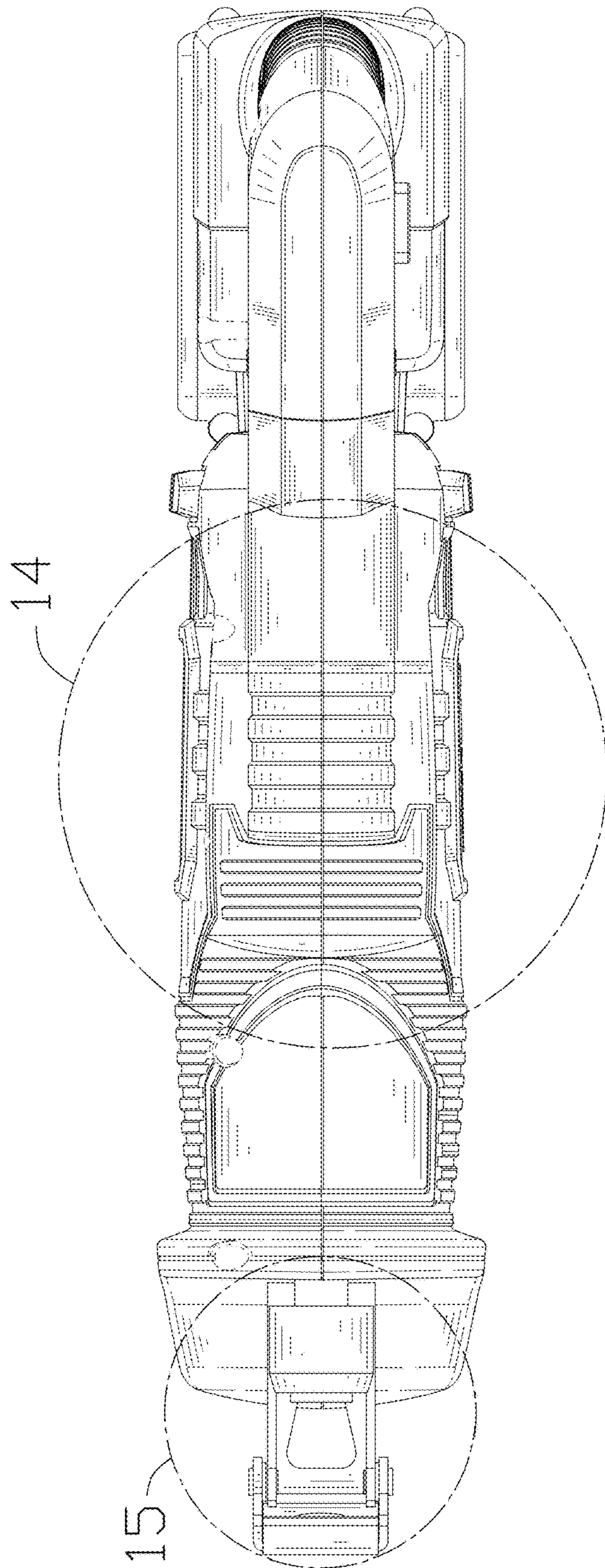


FIG. 7

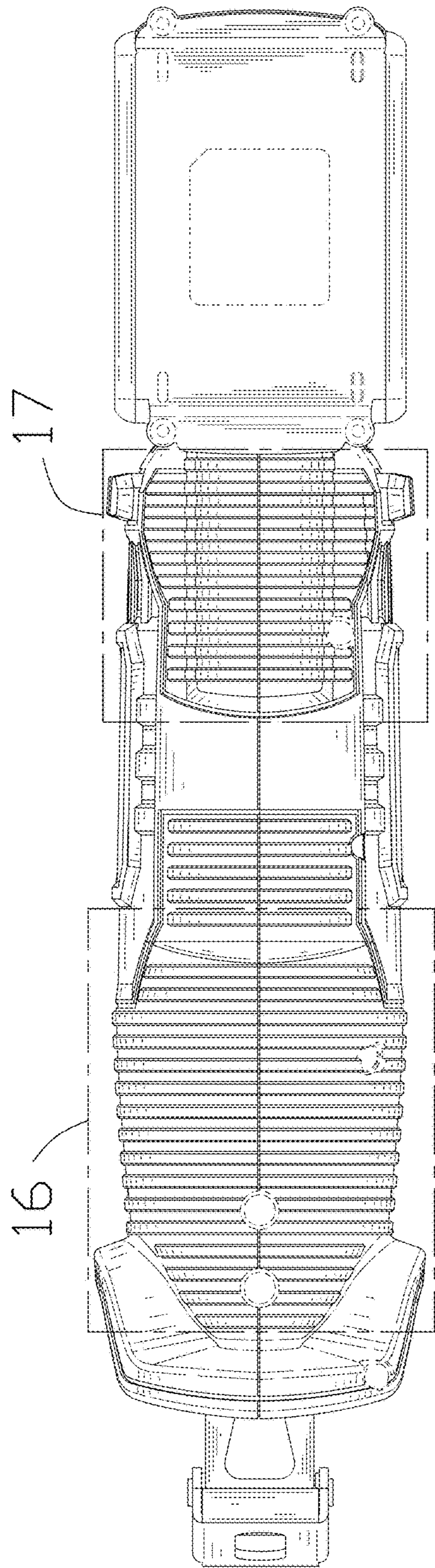


FIG. 8

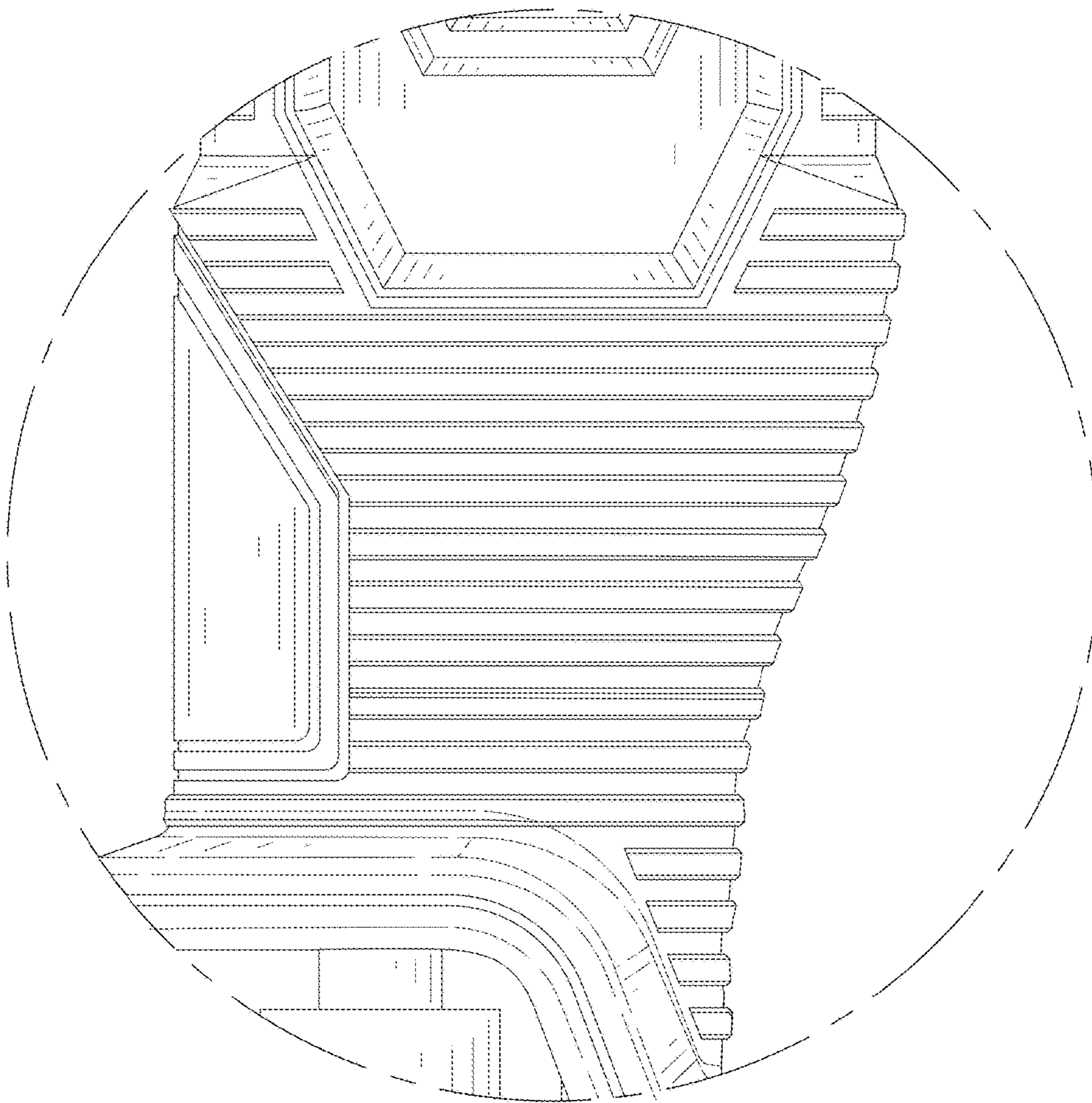


FIG. 9

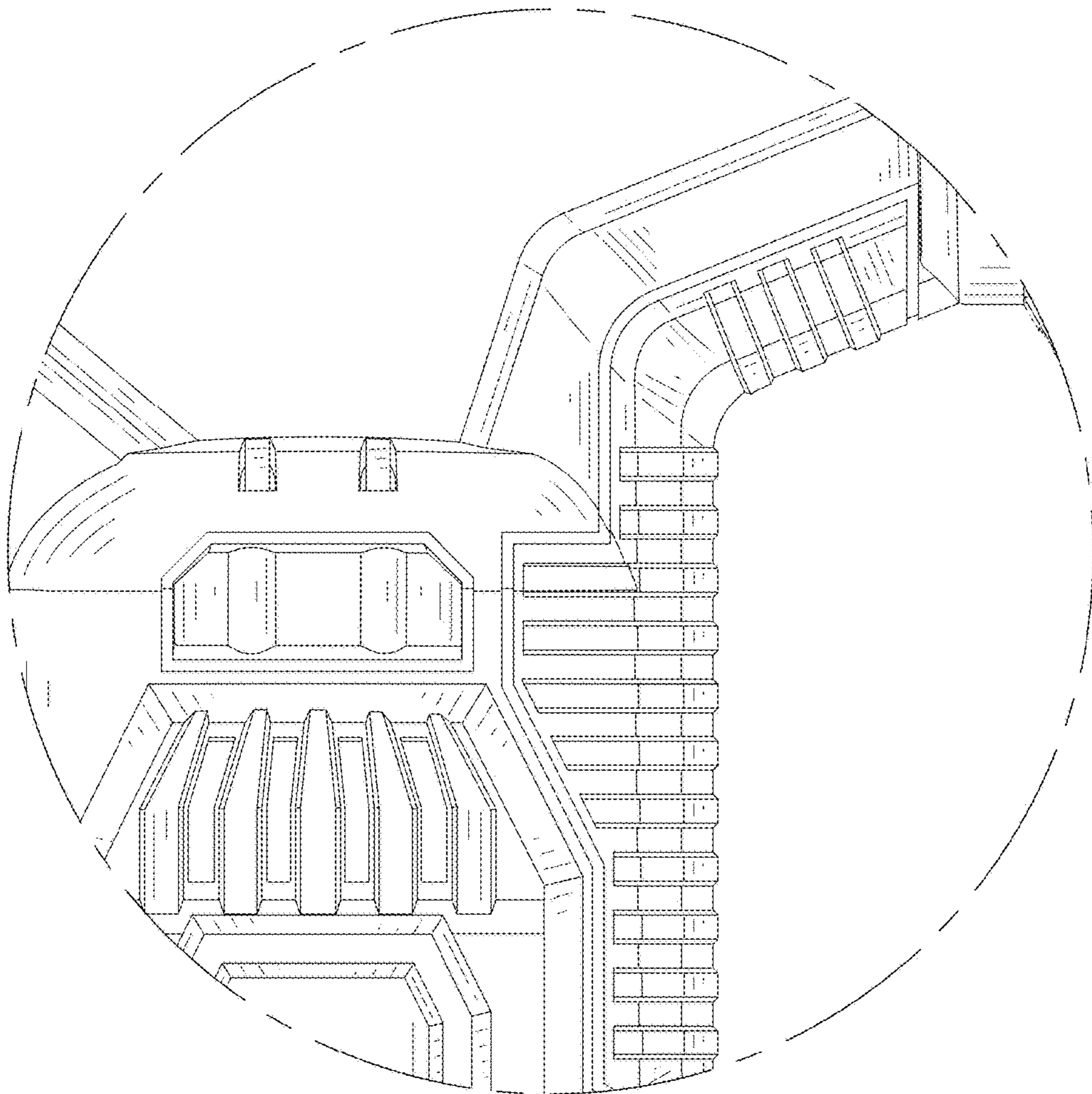


FIG. 10

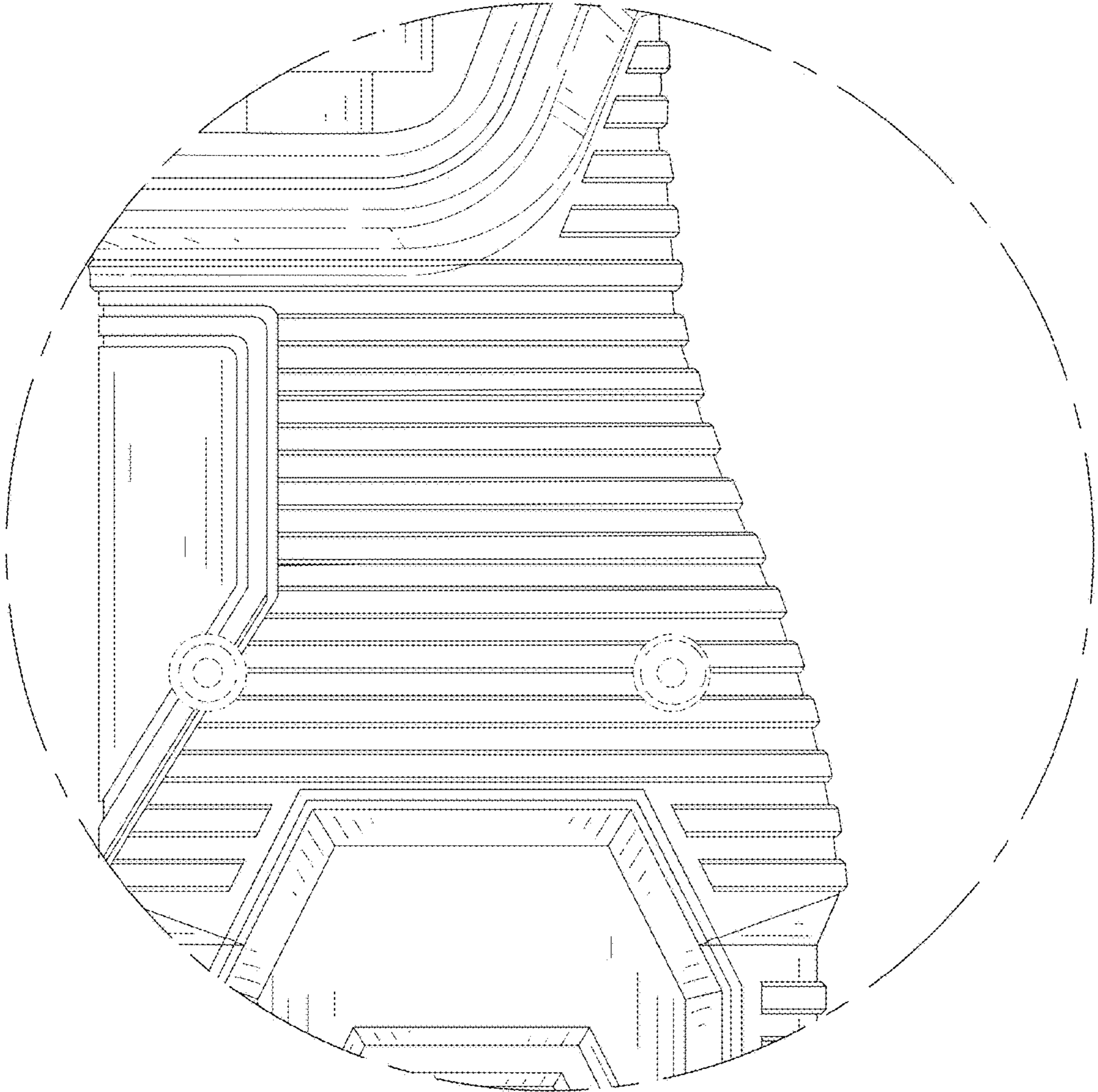


FIG. 11

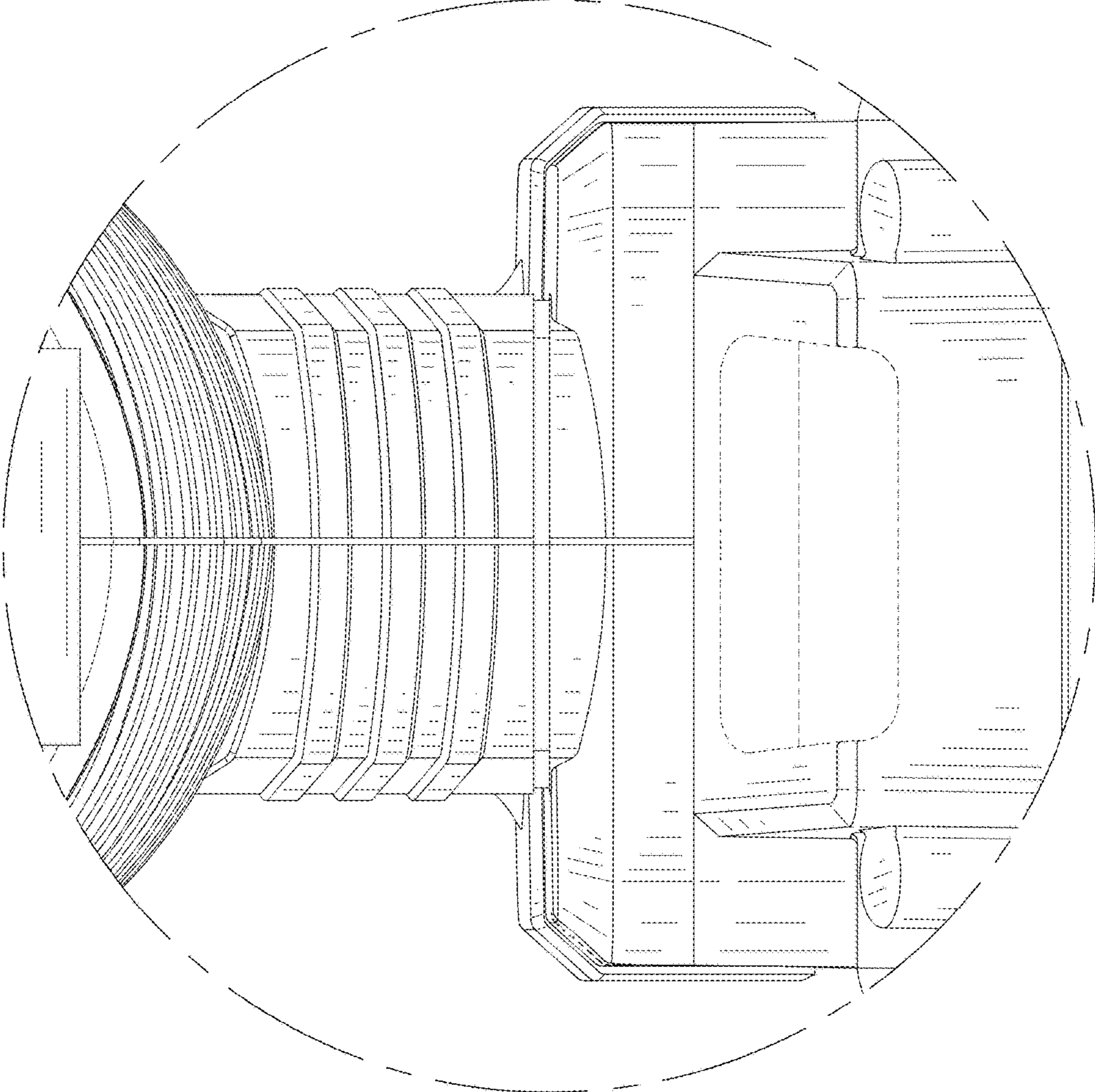


FIG. 12

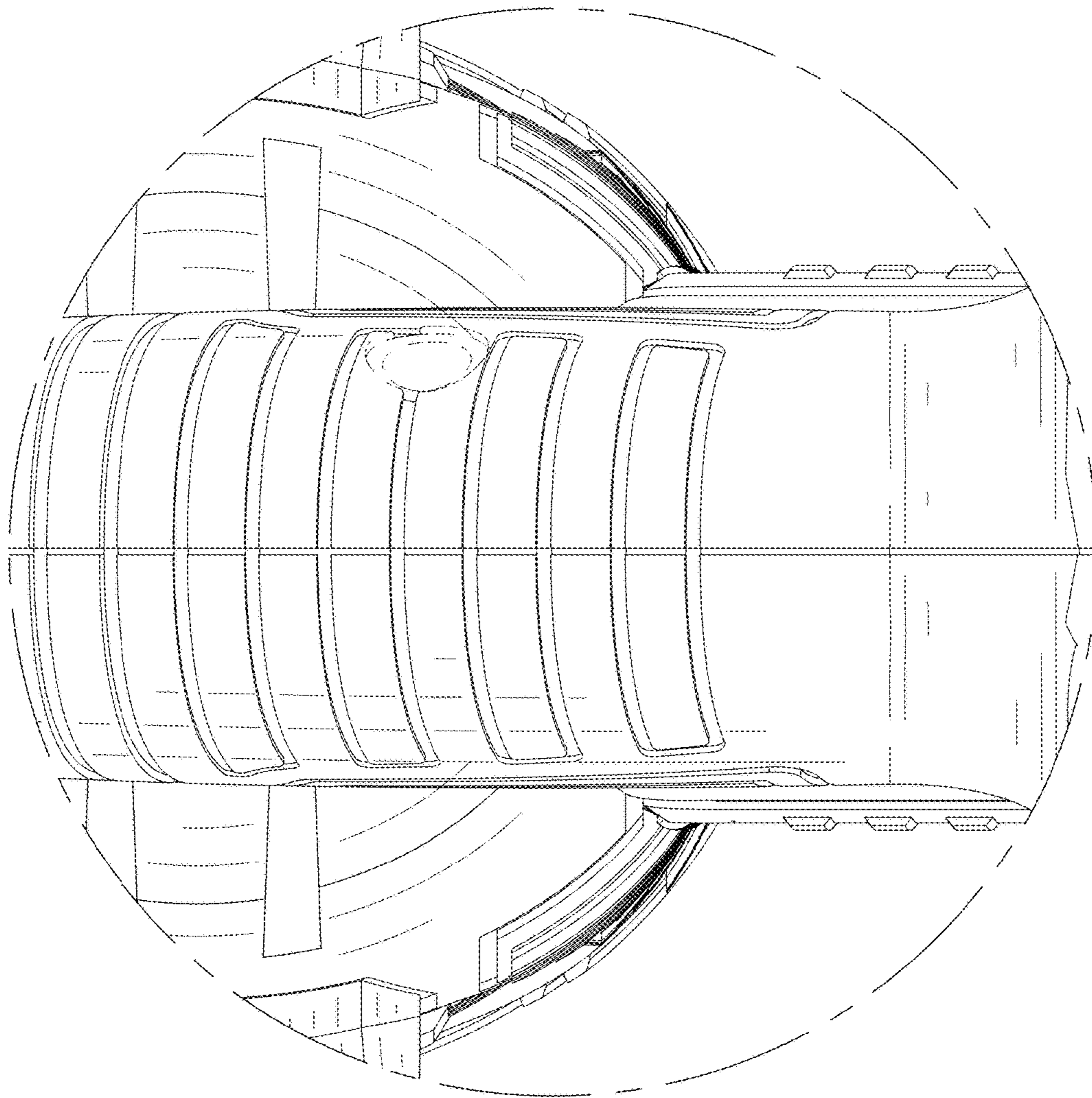


FIG. 13

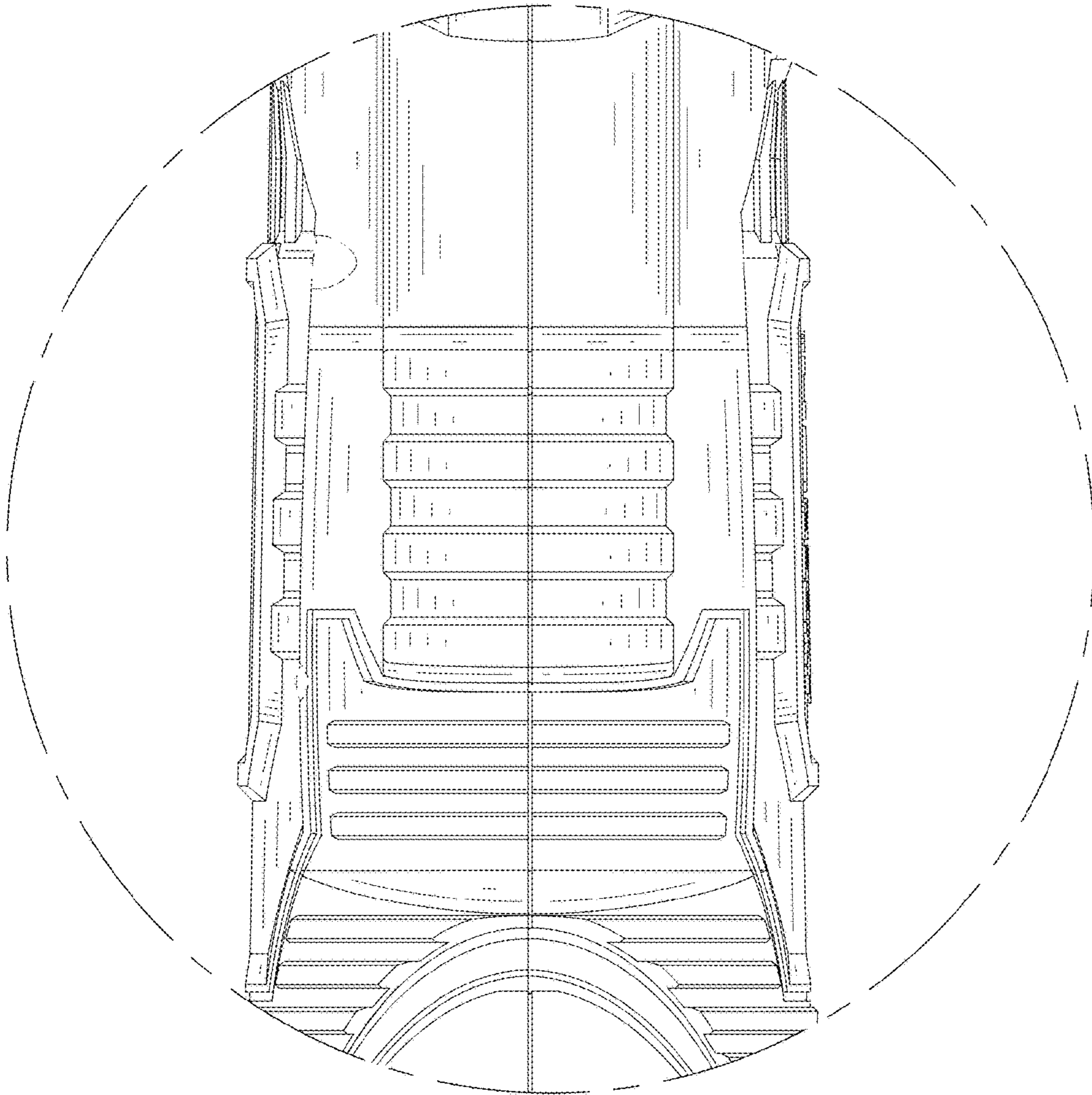


FIG. 14

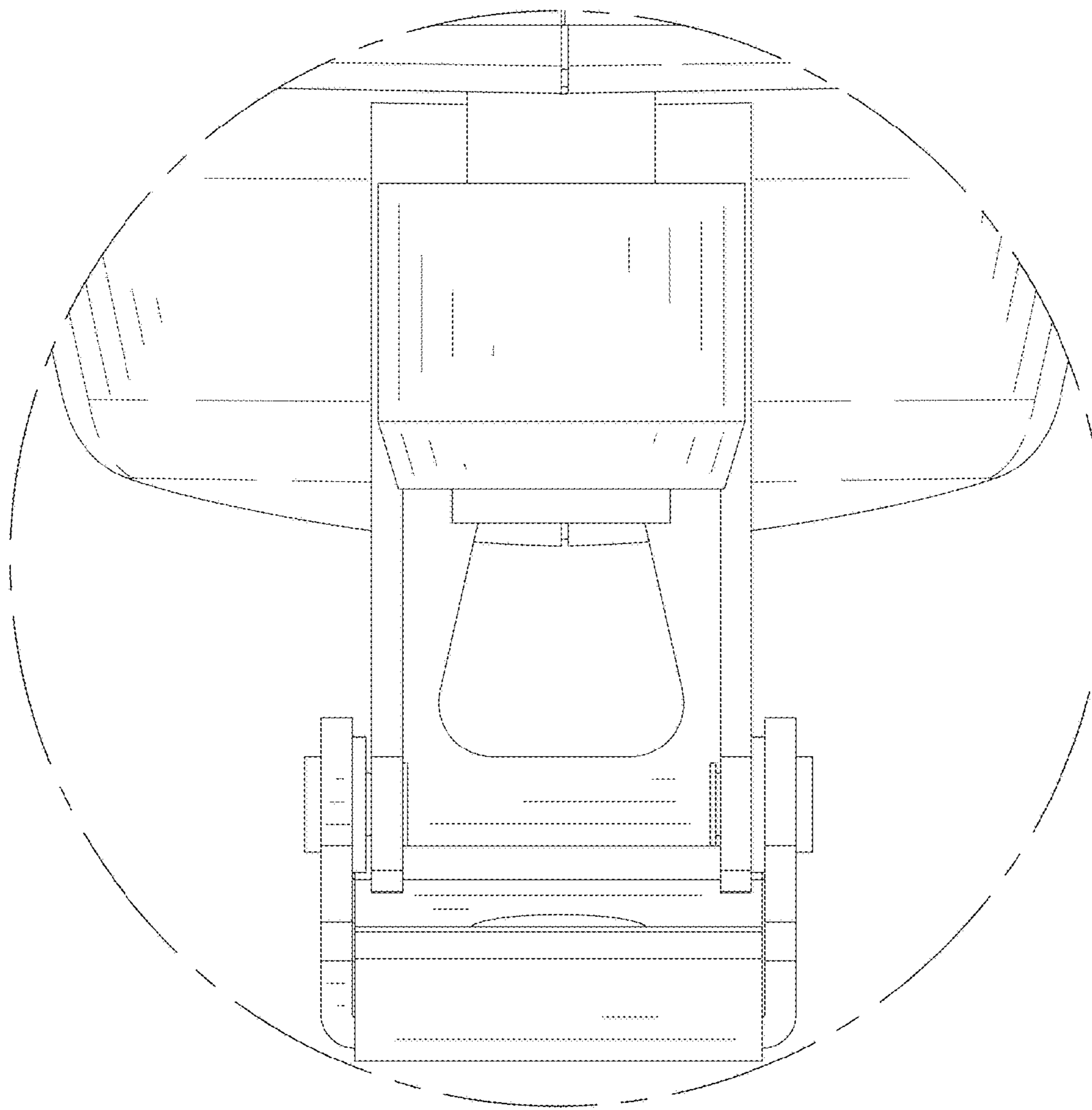


FIG. 15

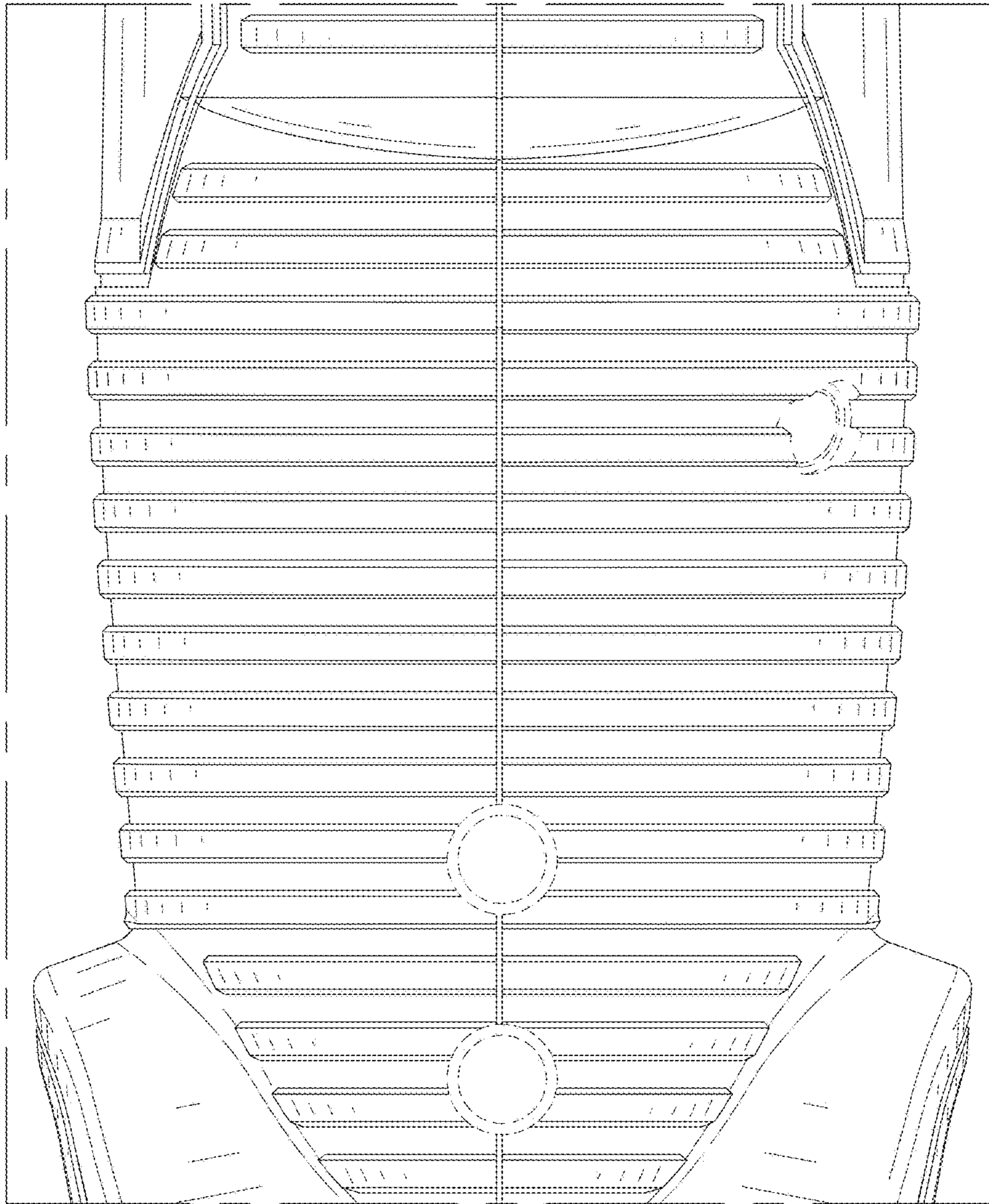


FIG. 16

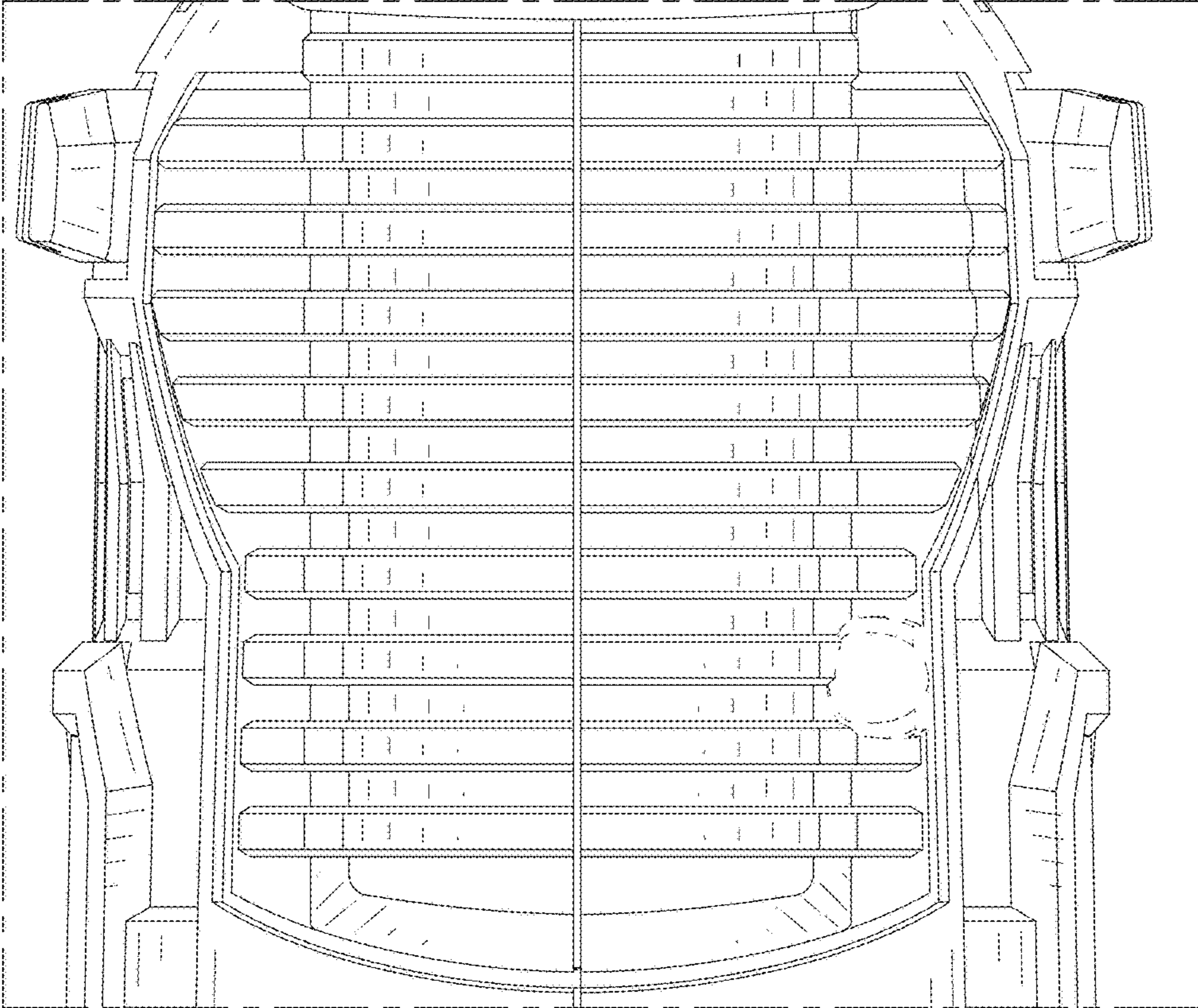


FIG. 17