



US00D863915S

(12) **United States Design Patent**  
**Chalfant et al.**

(10) **Patent No.:** **US D863,915 S**

(45) **Date of Patent:** **\*\* Oct. 22, 2019**

- (54) **ELECTRIC SHARPENER**
- (71) Applicant: **Smith's Consumer Products, Inc.**, Hot Springs, AR (US)
- (72) Inventors: **Louis Chalfant**, Hot Springs, AR (US); **Ricky L. Dukes**, Knoxville, TN (US)
- (73) Assignee: **Smith's Consumer Products, Inc.**, Hot Springs, AR (US)

D614,932 S \* 5/2010 deBretton Gordon ..... D8/93  
 D651,887 S \* 1/2012 Elek ..... D8/93  
 8,425,281 B2 4/2013 Smith  
 8,721,403 B2 \* 5/2014 Welch ..... A47G 21/14  
 206/553  
 8,727,836 B2 5/2014 Smith  
 D758,821 S \* 6/2016 Kidd ..... D8/93  
 2004/0077296 A1 \* 4/2004 Friel, Sr. .... B24B 3/36  
 451/259  
 2009/0298398 A1 12/2009 Smith

\* cited by examiner

(\*\*) Term: **15 Years**

*Primary Examiner* — Philip S Hyder

(21) Appl. No.: **29/646,467**

(74) *Attorney, Agent, or Firm* — Richard Blakely  
Glasgow

(22) Filed: **May 4, 2018**

(57) **CLAIM**

(51) **LOC (12) Cl.** ..... **08-05**

The ornamental design for an electric sharpener, as shown and described.

(52) **U.S. Cl.**

**DESCRIPTION**

USPC ..... **D8/63**

(58) **Field of Classification Search**

USPC ..... D8/63, 90, 91, 92, 93  
 CPC .... B24B 3/54; B24B 3/36; B24B 3/58; B24B  
 3/00; B24B 23/08; B24B 15/00; B24B  
 15/06; B24B 15/063; B24B 15/08

See application file for complete search history.

FIG. 1 is a top perspective view of the electric sharpener of the present invention.

FIG. 2 is a front view of the electric sharpener of the present invention.

FIG. 3 is a right side view of the electric sharpener of the present invention.

FIG. 4 is a back view of the electric sharpener of the present invention.

FIG. 5 is a left side view of the electric sharpener of the present invention.

FIG. 6 is a top view of the electric sharpener of the present invention; and,

FIG. 7 is a bottom view of the electric sharpener of the present invention.

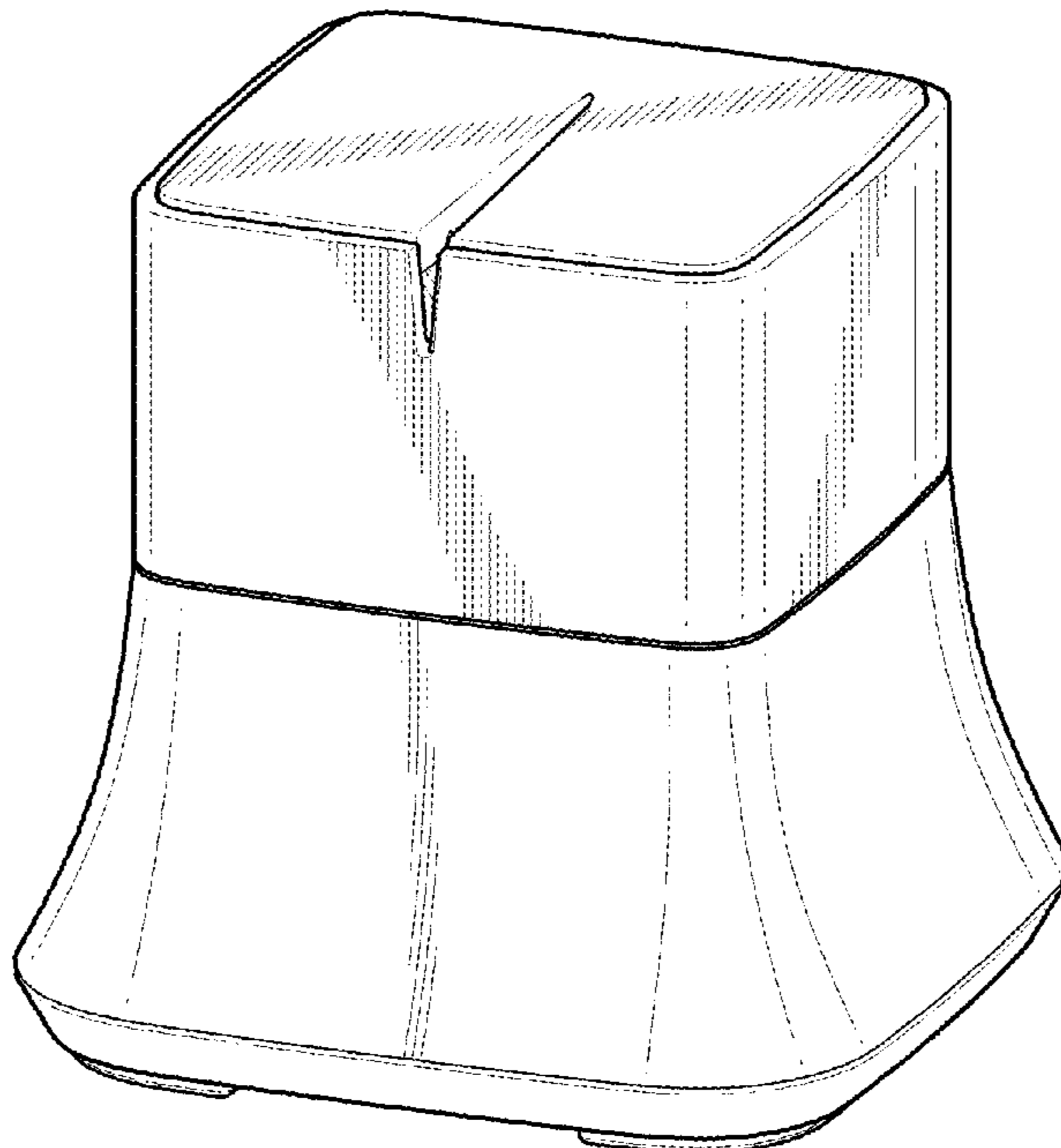
The broken lines shown in the drawings indicate structure and features which form no part of the claimed design.

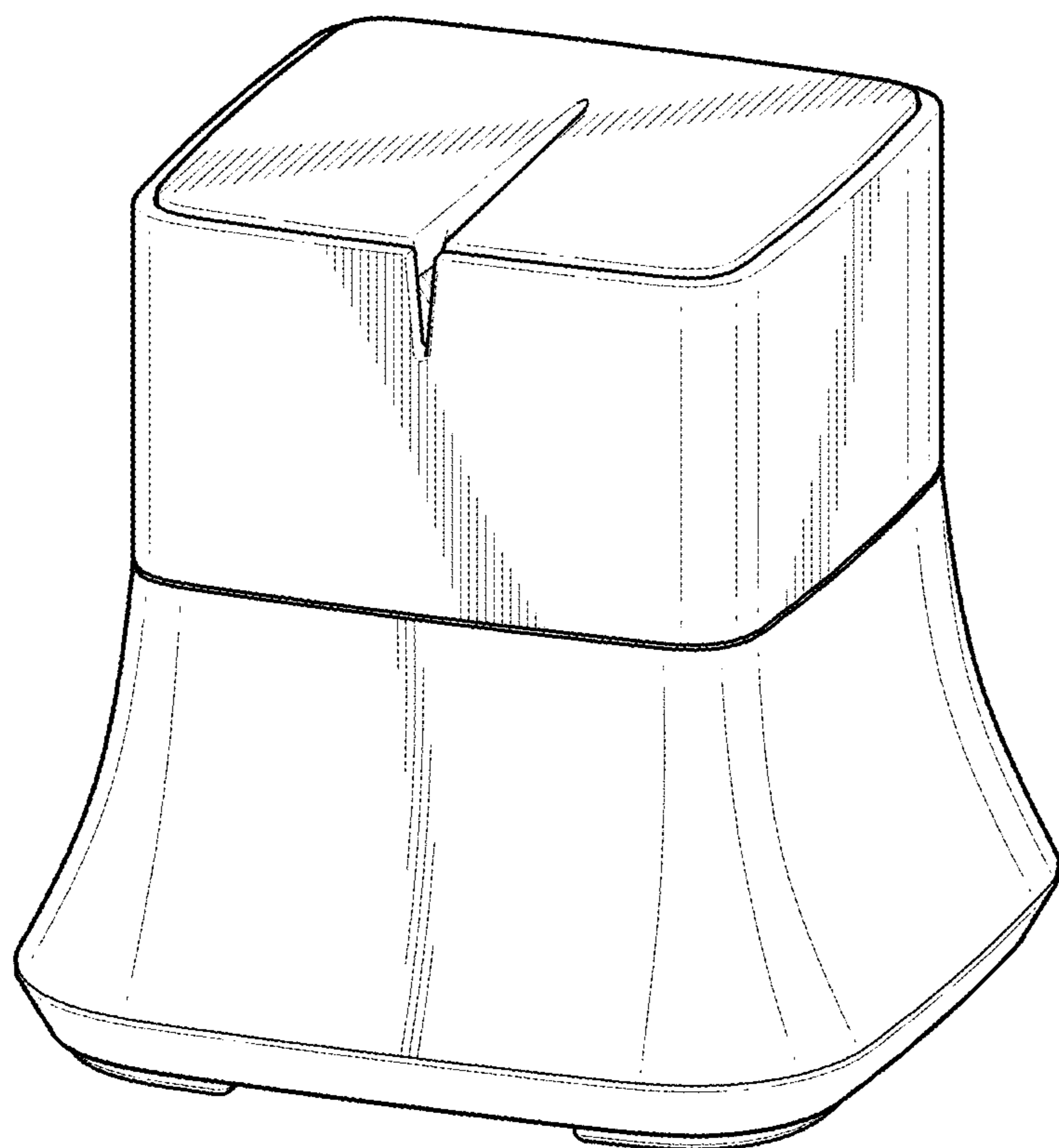
(56) **References Cited**

U.S. PATENT DOCUMENTS

D310,620 S \* 9/1990 Friel ..... D8/93  
 D327,833 S \* 7/1992 Micoley ..... 451/555  
 D363,867 S \* 11/1995 Harrison ..... D8/63  
 D491,783 S \* 6/2004 Ikegaki ..... D8/63  
 6,802,763 B1 \* 10/2004 Leung ..... B24B 49/16  
 451/193  
 D575,124 S \* 8/2008 Smith ..... D8/63  
 D605,918 S \* 12/2009 Deglon ..... D8/63  
 D614,009 S \* 4/2010 Deglon ..... D8/63

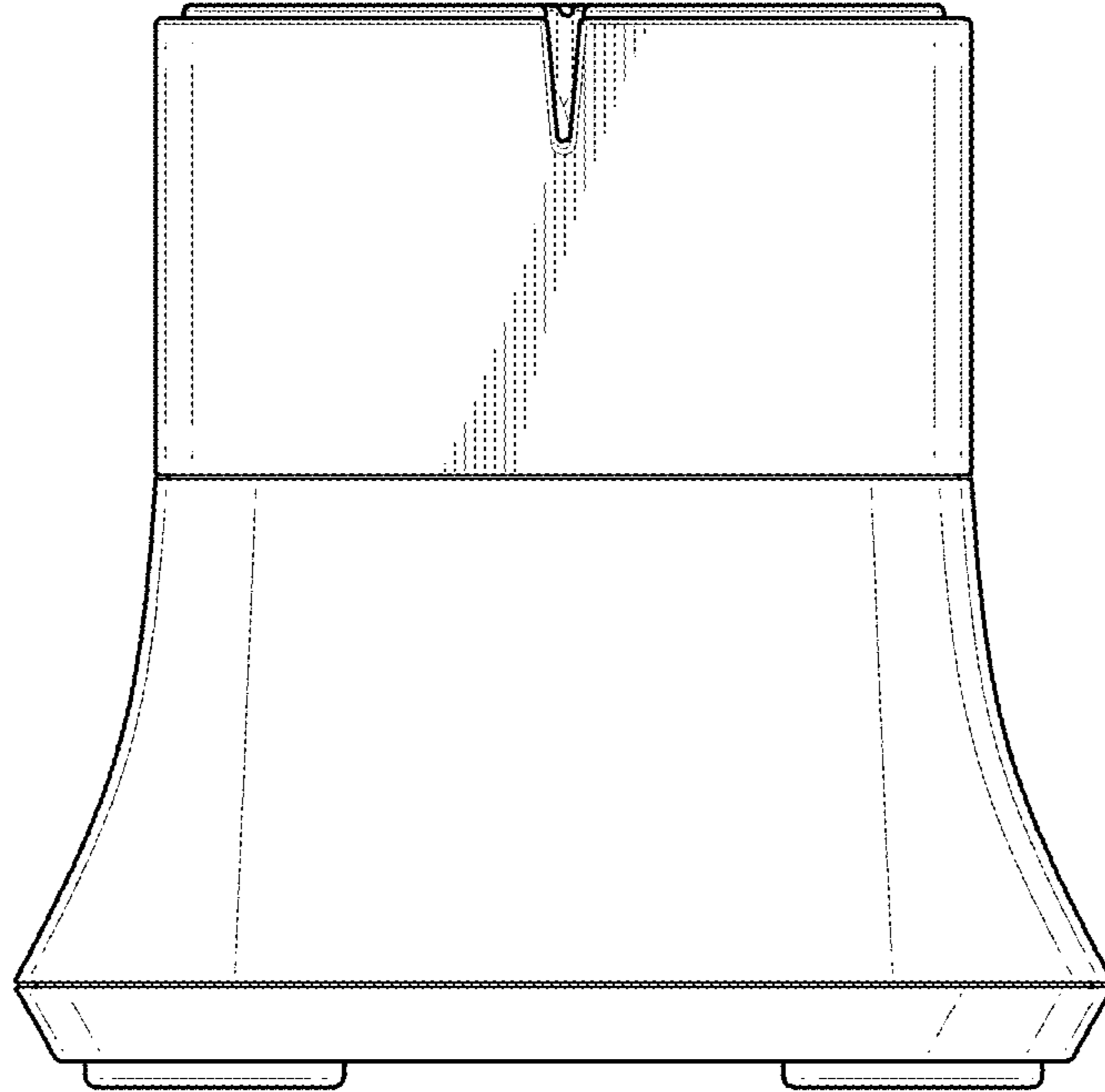
**1 Claim, 4 Drawing Sheets**



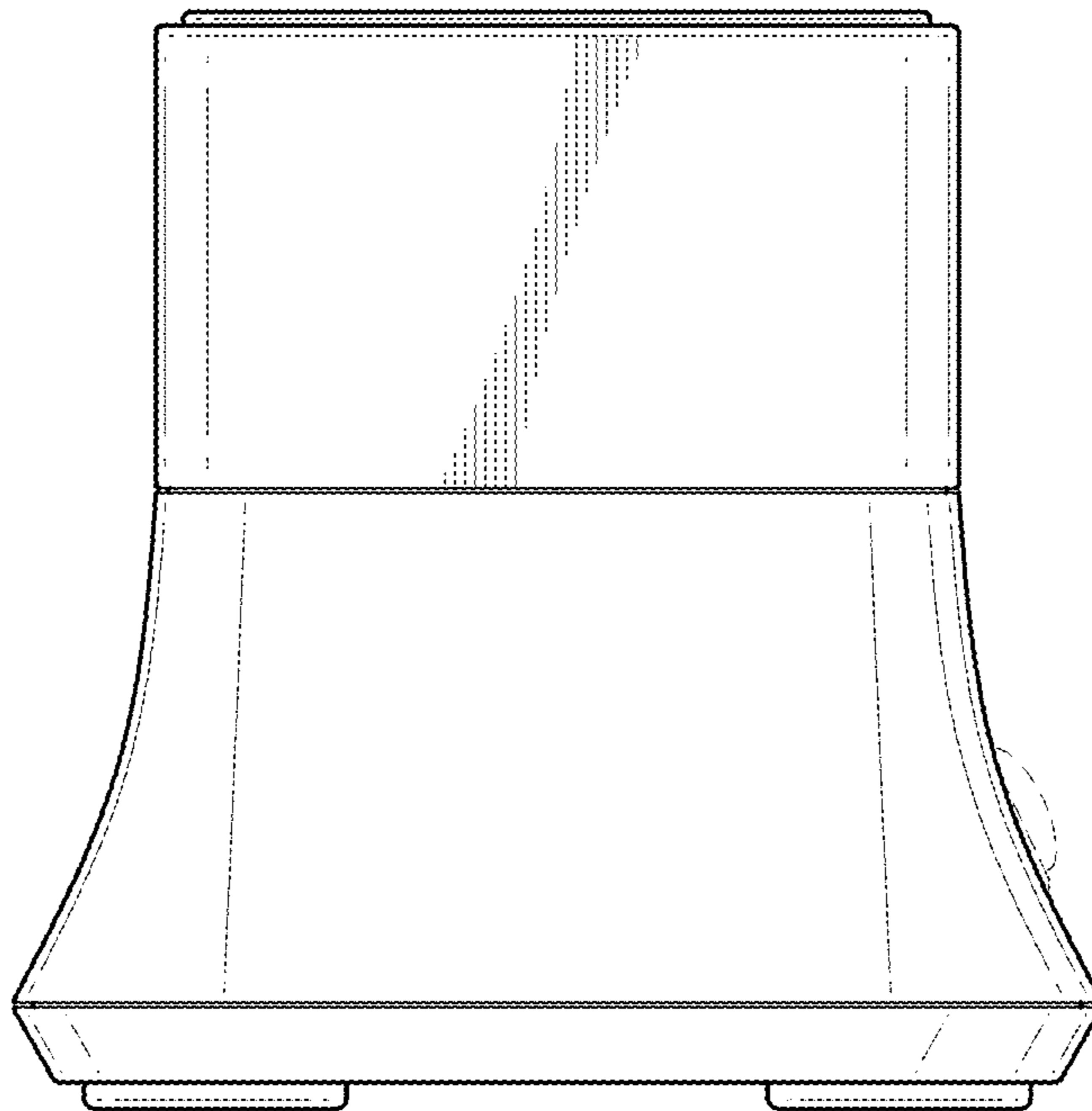


**FIG. 1**

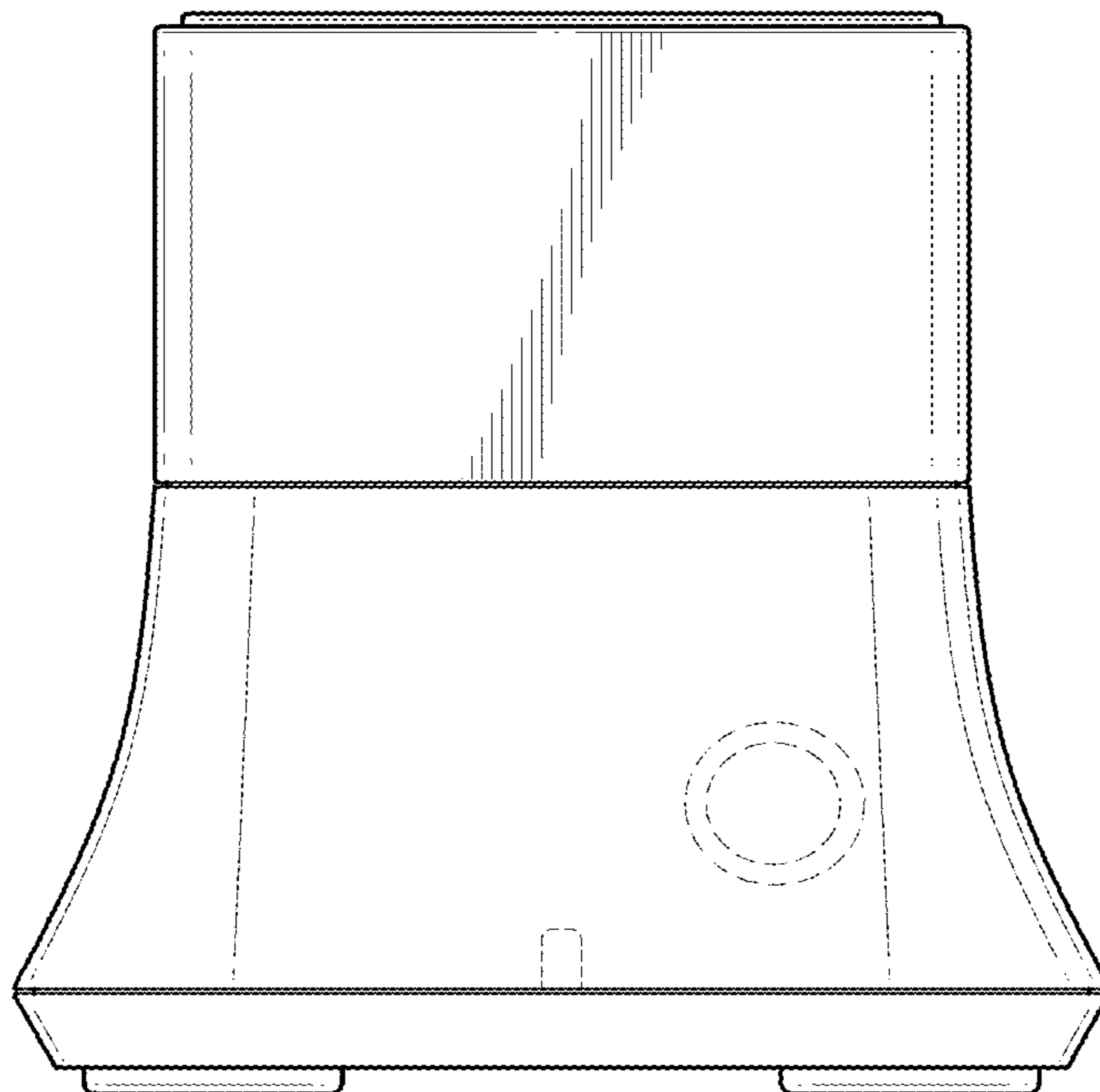
**FIG. 2**



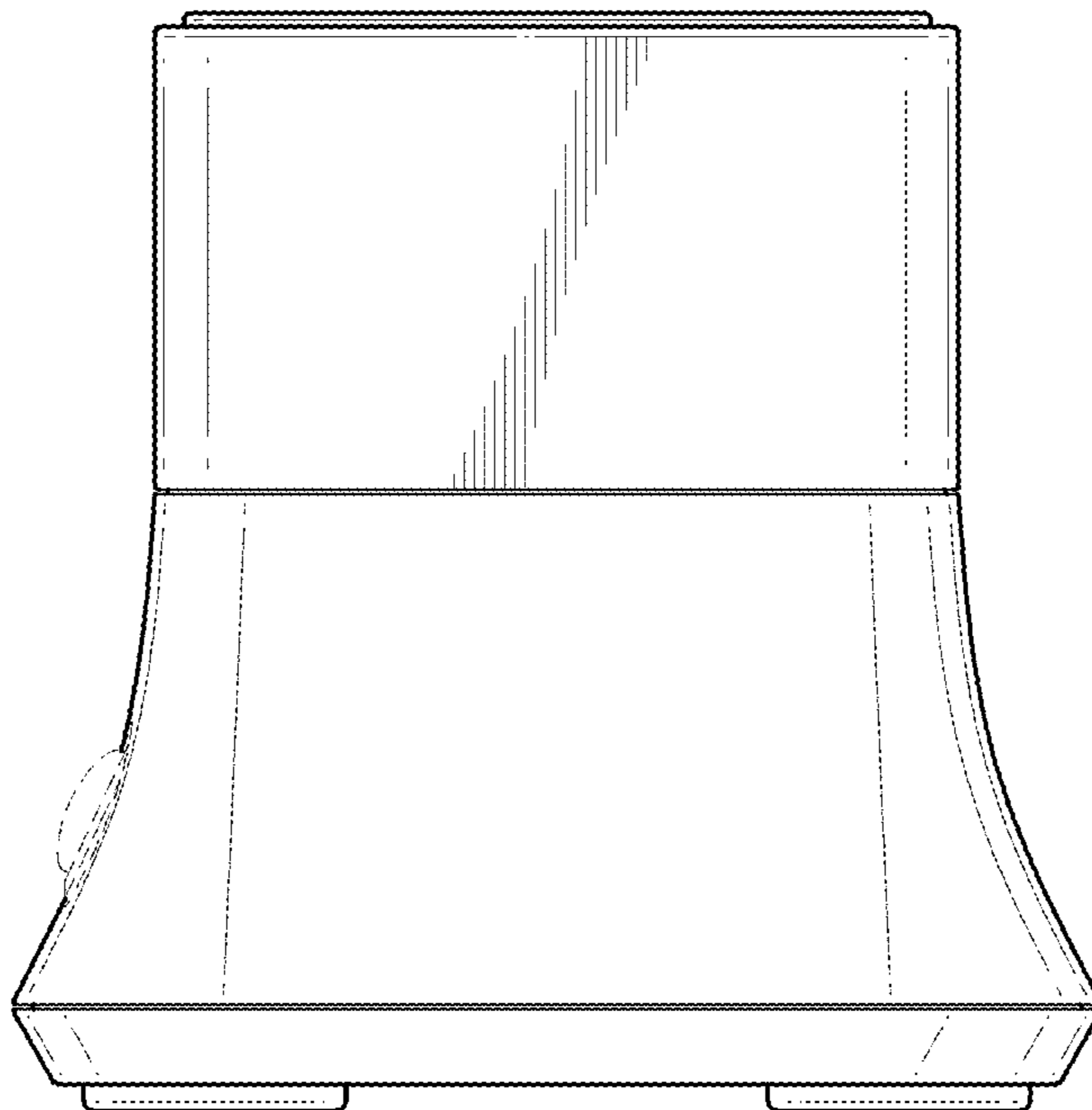
**FIG. 3**

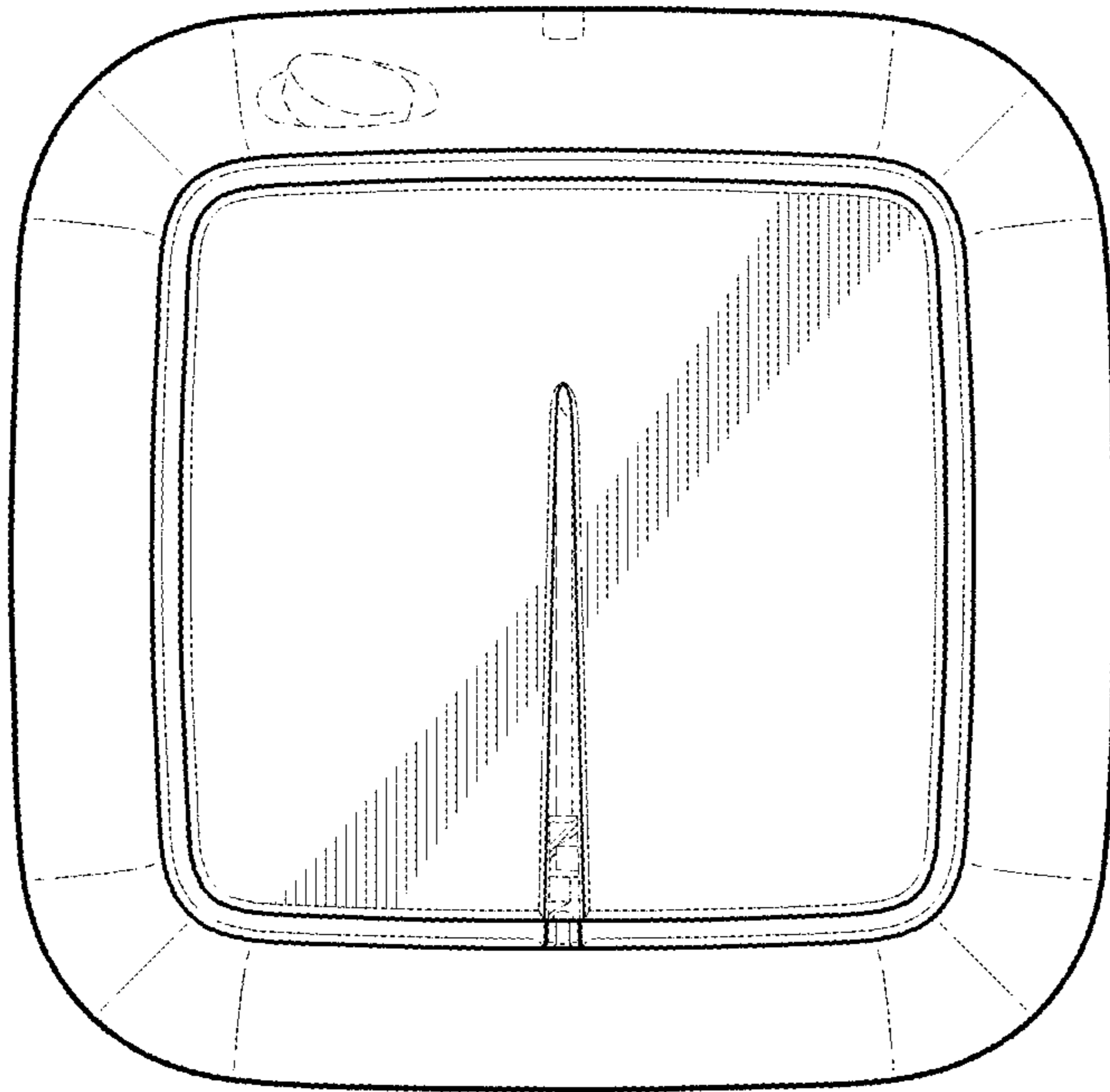


**FIG. 4**

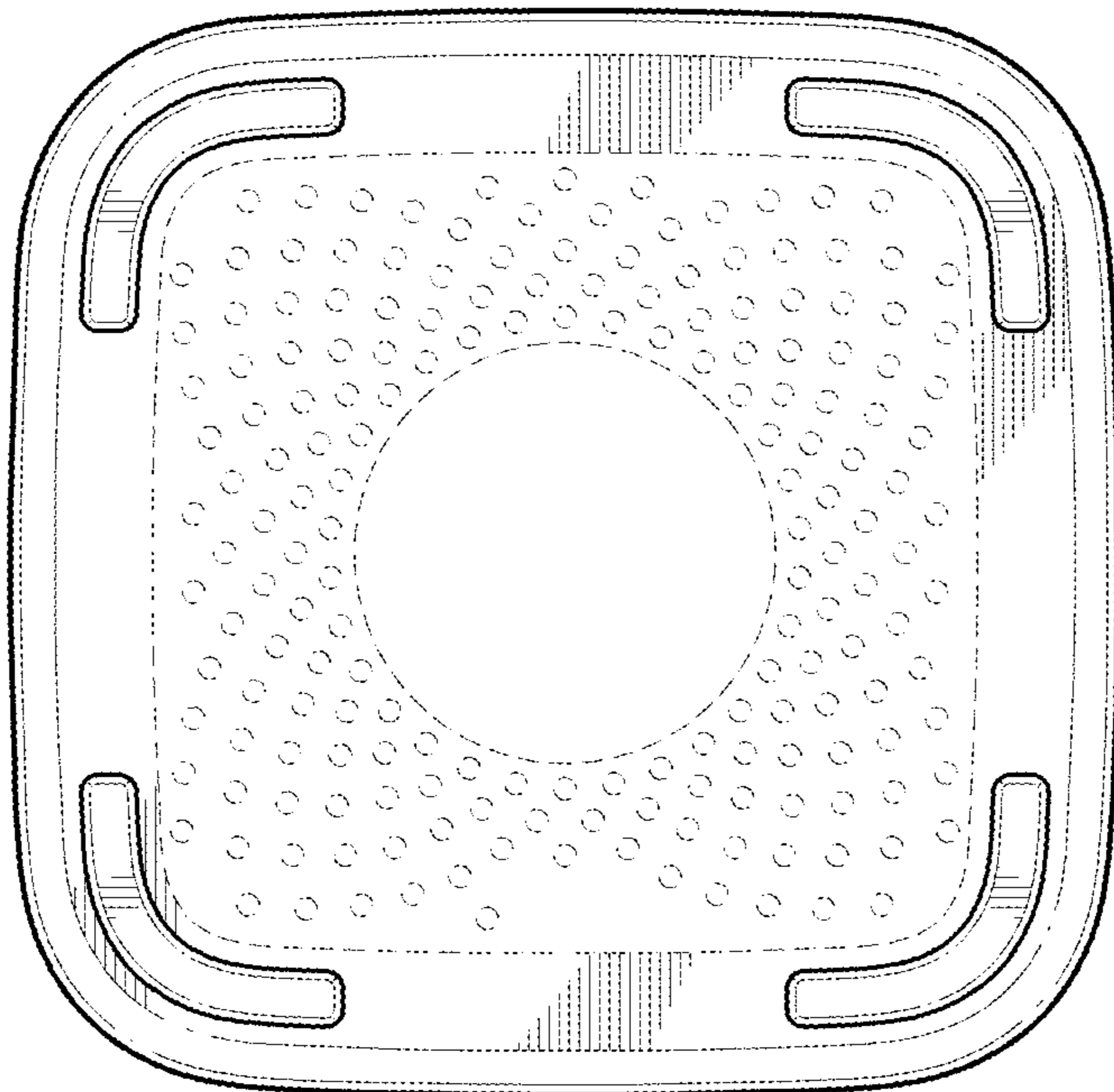


**FIG. 5**





**FIG. 6**



**FIG. 7**