



US00D863914S

(12) **United States Design Patent**
Elek et al.

(10) **Patent No.:** **US D863,914 S**
(45) **Date of Patent:** **** Oct. 22, 2019**

(54) **SHARPENER**
(71) Applicant: **EdgeCraft Corporation**, Avondale, PA (US)
(72) Inventors: **Bela Elek**, Avondale, PA (US); **Mike Endres**, Avondale, PA (US); **Tom Huber**, Avondale, PA (US); **George Jensen**, Avondale, PA (US); **Sam Weiner**, Avondale, PA (US)
(73) Assignee: **EDGE CRAFT CORPORATION**, Avondale, PA (US)

8,696,407 B2 * 4/2014 Dovel B24B 3/52 451/45
D723,895 S * 3/2015 Dovel D8/63
D730,137 S * 5/2015 Onion D8/63

* cited by examiner

Primary Examiner — Austin Murphy
(74) *Attorney, Agent, or Firm* — Michael E. Dockins; Shumaker, Loop & Kendrick, LLP

(**) Term: **15 Years**

(21) Appl. No.: **29/612,601**

(22) Filed: **Aug. 2, 2017**

(51) **LOC (12) Cl.** **08-05**

(52) **U.S. Cl.**
USPC **D8/63**

(58) **Field of Classification Search**
USPC D8/34, 35, 63, 91, 93; 451/45, 267, 552, 451/555-558; 76/82, 84, 86-89.2; 30/138
CPC B24B 3/54; B24B 3/36; B24B 3/58; B24B 3/00; B24B 23/08; B24B 15/00; B24B 15/06; B24B 15/063; B24B 15/08
See application file for complete search history.

(56) **References Cited**

U.S. PATENT DOCUMENTS

D473,777 S * 4/2003 Thompson D8/63
D604,134 S * 11/2009 Smith D8/63

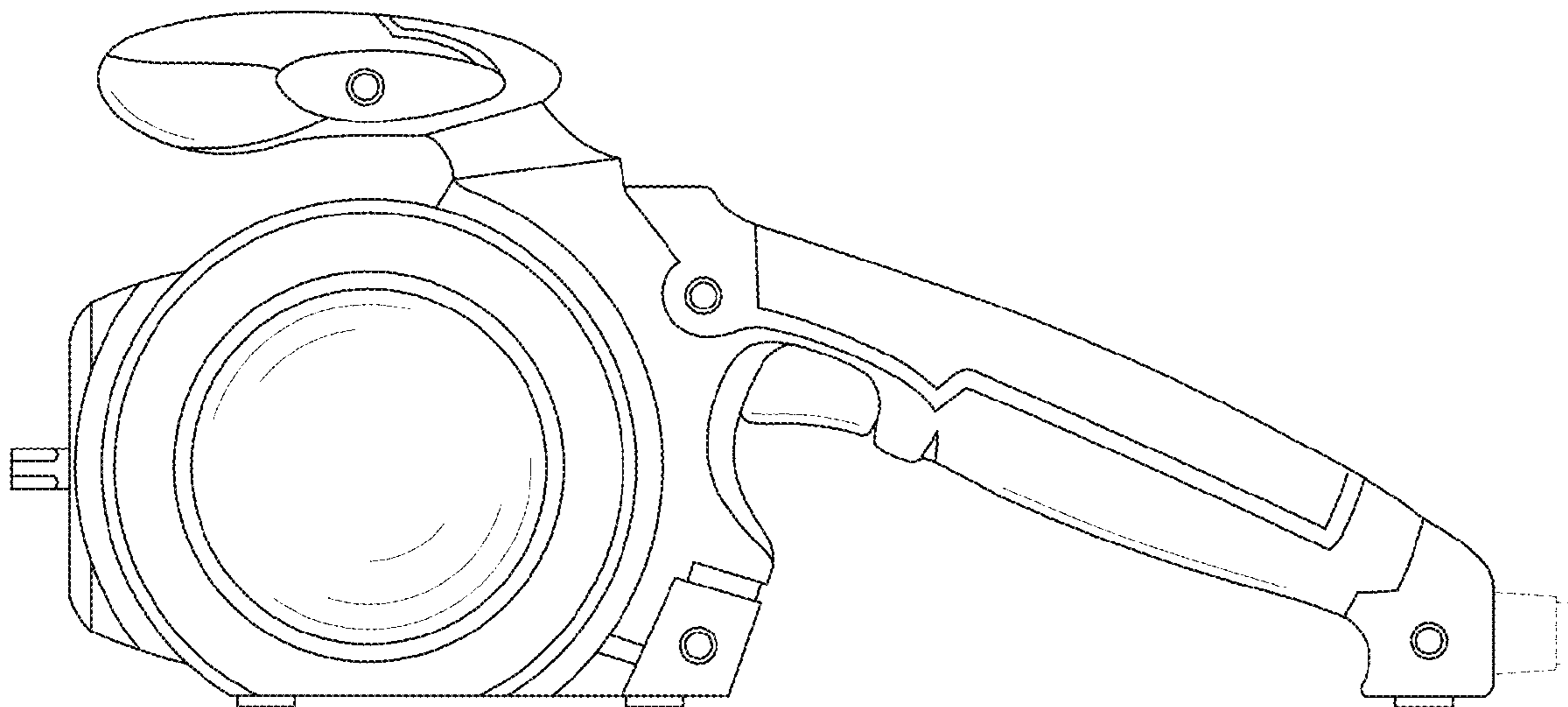
(57) **CLAIM**

The ornamental design for a sharpener, as shown and described.

DESCRIPTION

FIG. 1 is a top plan view of a sharpener in a first position according to an embodiment of the invention;
FIG. 2 is a bottom plan view thereof;
FIG. 3 is a left-side elevational view thereof;
FIG. 4 is a right-side elevational view thereof;
FIG. 5 is front elevational view thereof;
FIG. 6 is a rear elevational view thereof;
FIG. 7 is a right-side elevational view thereof in a second position;
FIG. 8 is a left-side elevational view thereof in a second position; and,
FIG. 9 is a rear elevational view thereof in a second position.
The ornamental design which is claimed is shown in solid lines in the drawings. Features shown in broken lines are presented for illustrative purposes and form no part of the claimed design.

1 Claim, 5 Drawing Sheets



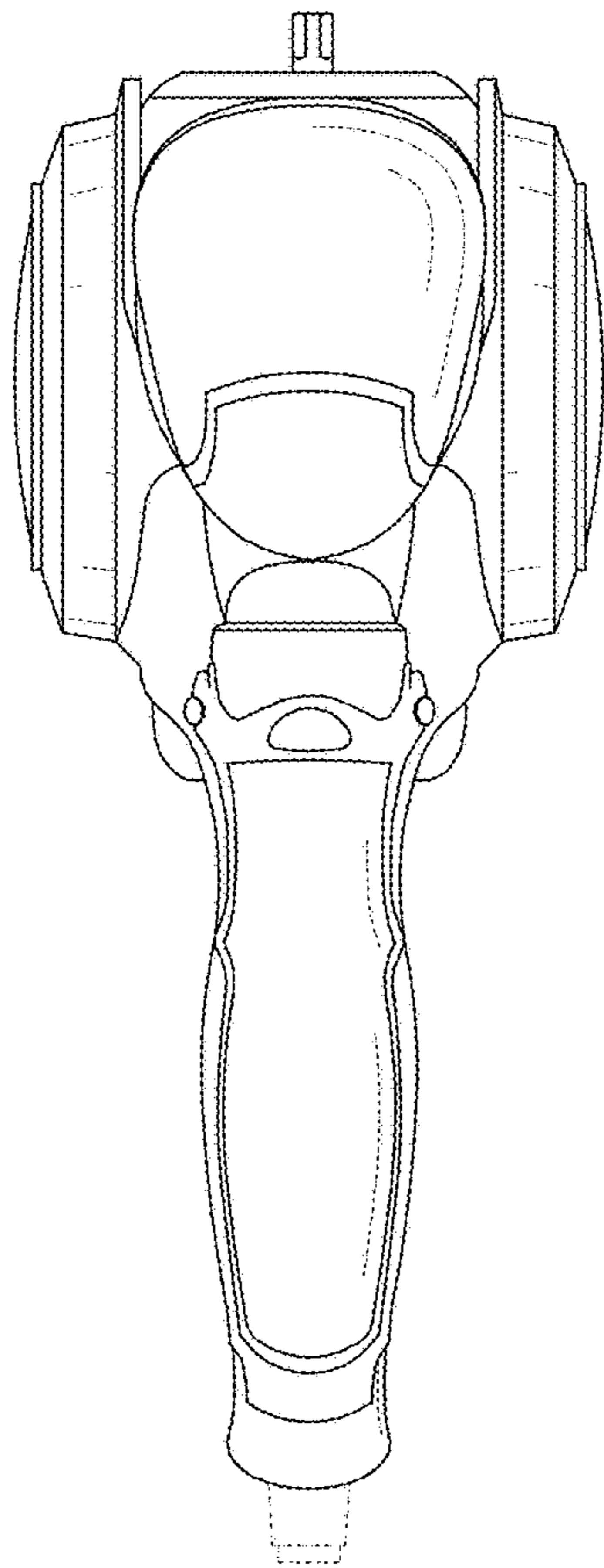


FIG. 1

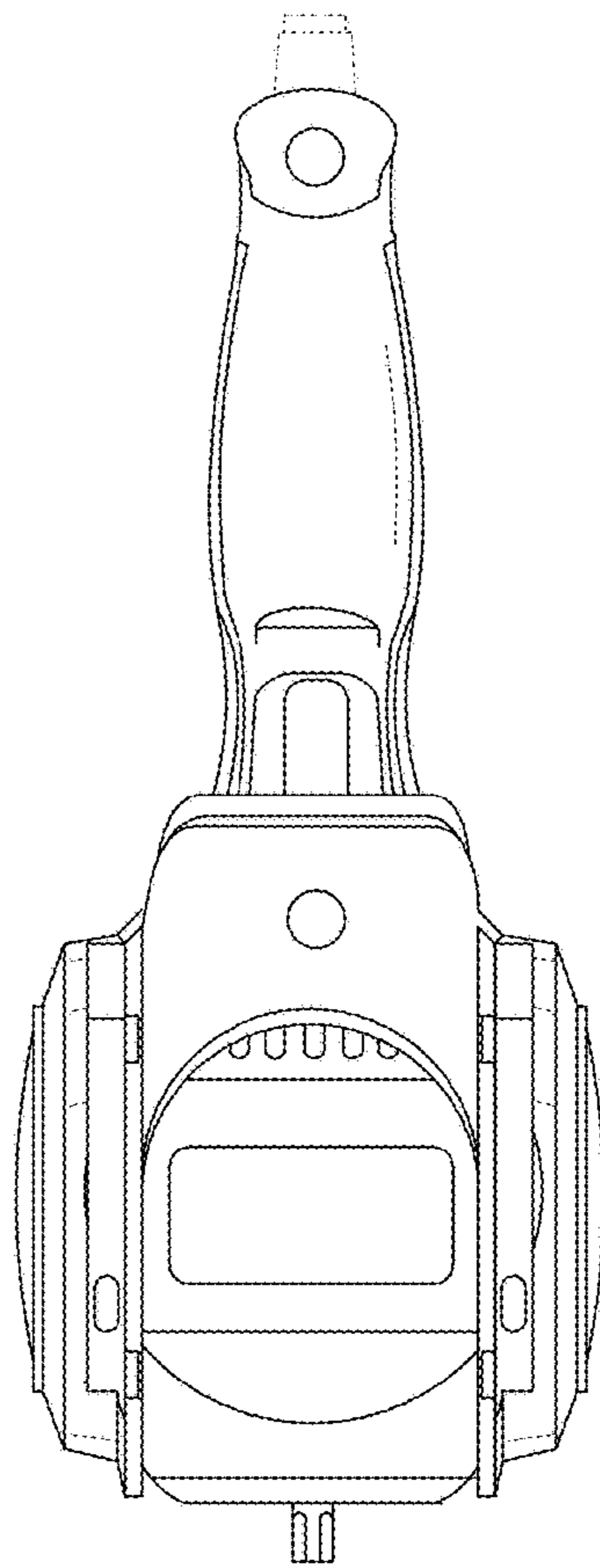
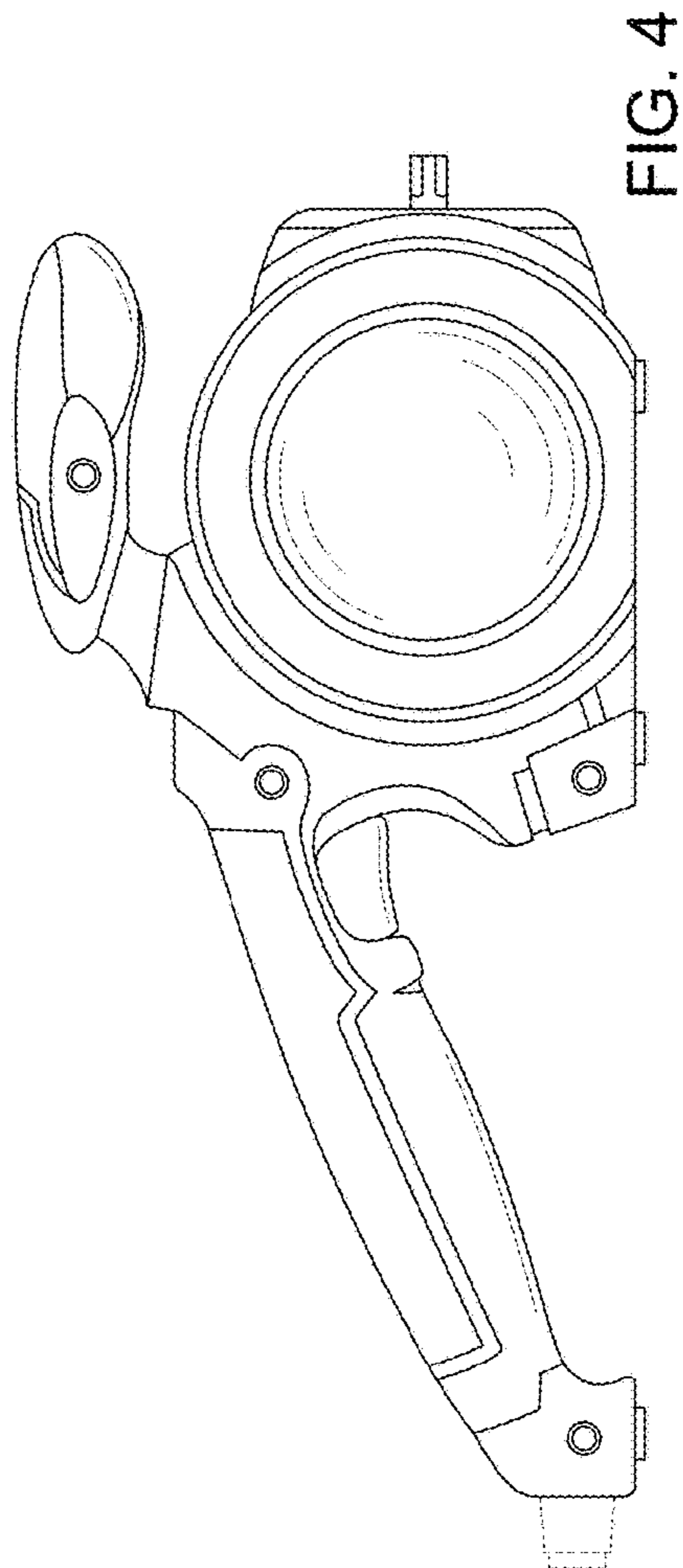
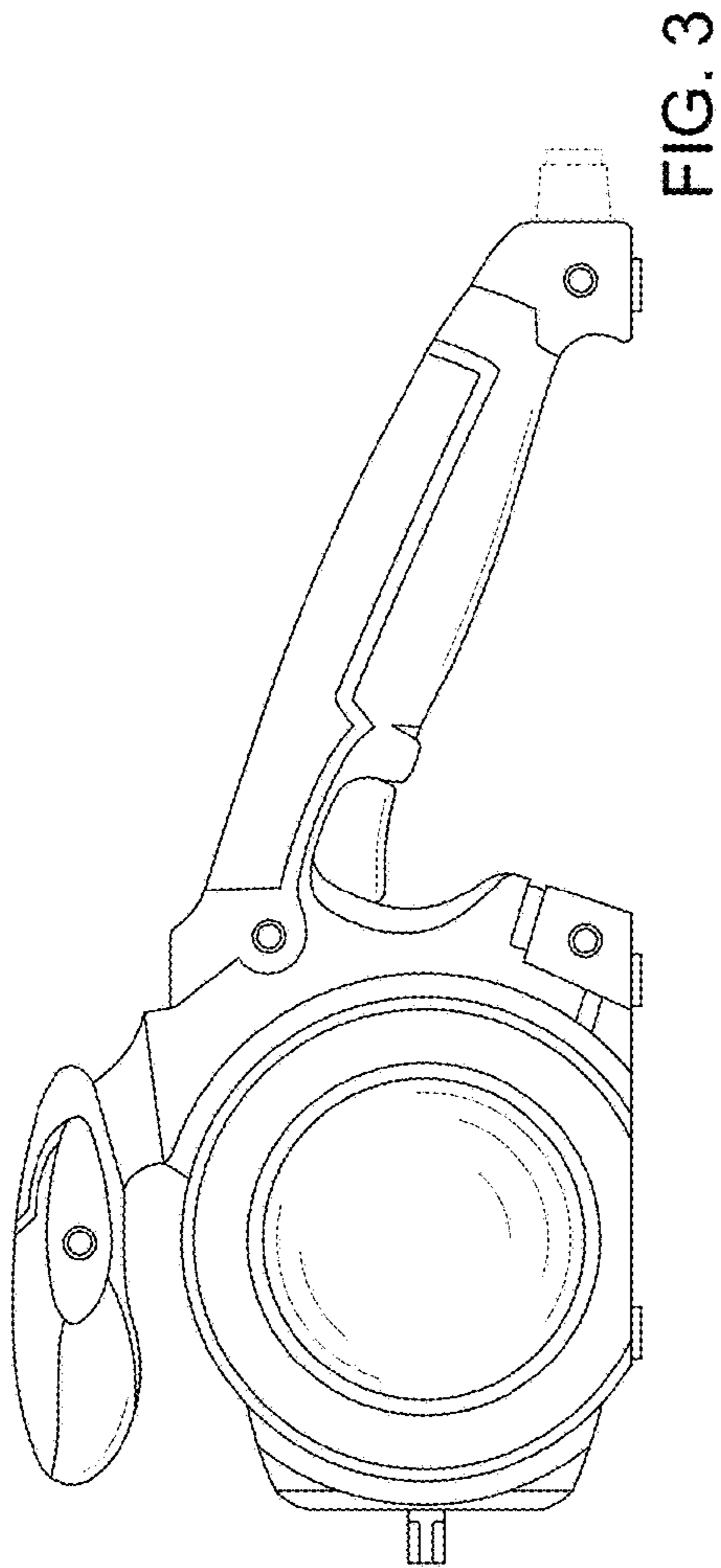


FIG. 2



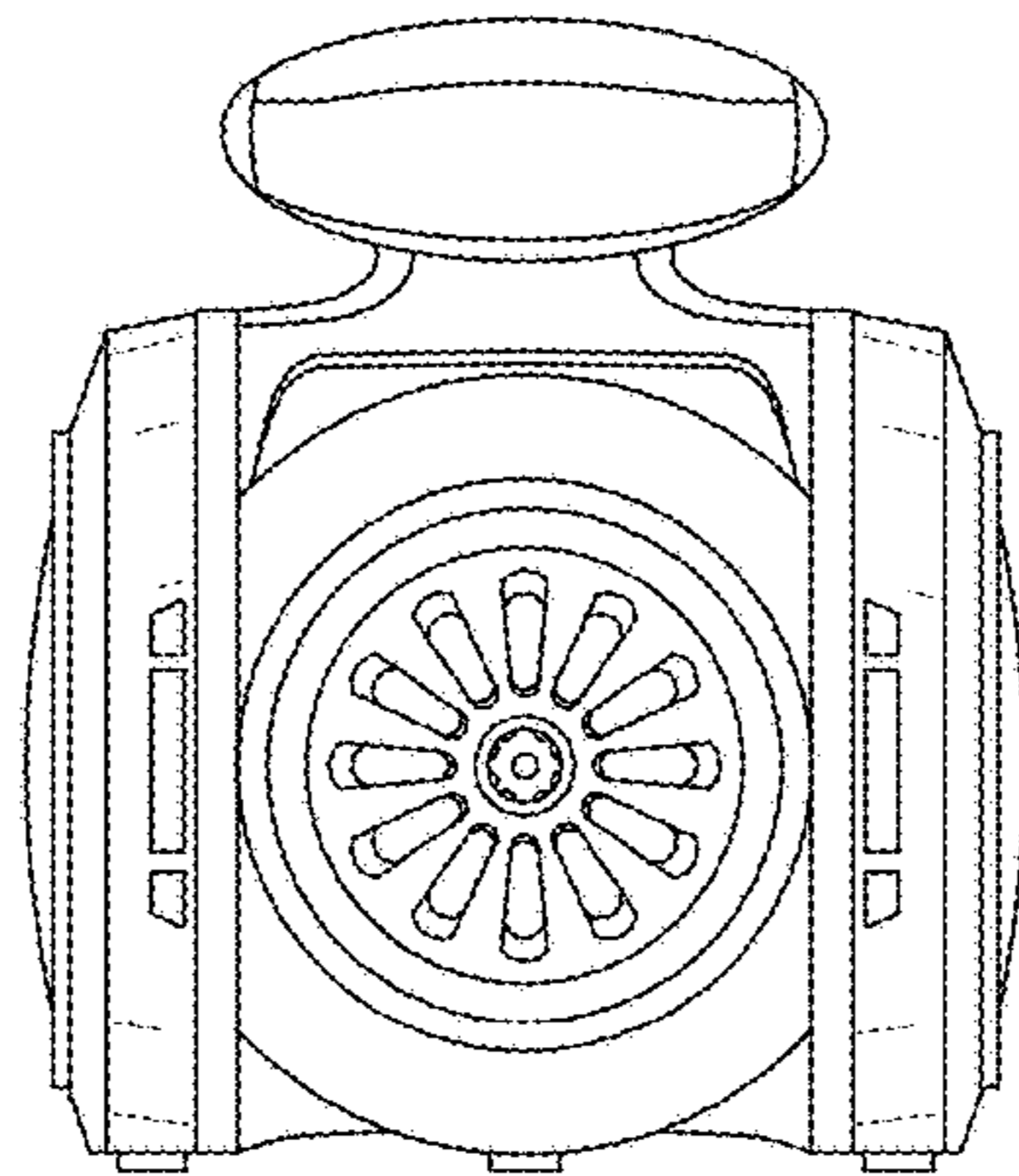


FIG. 5

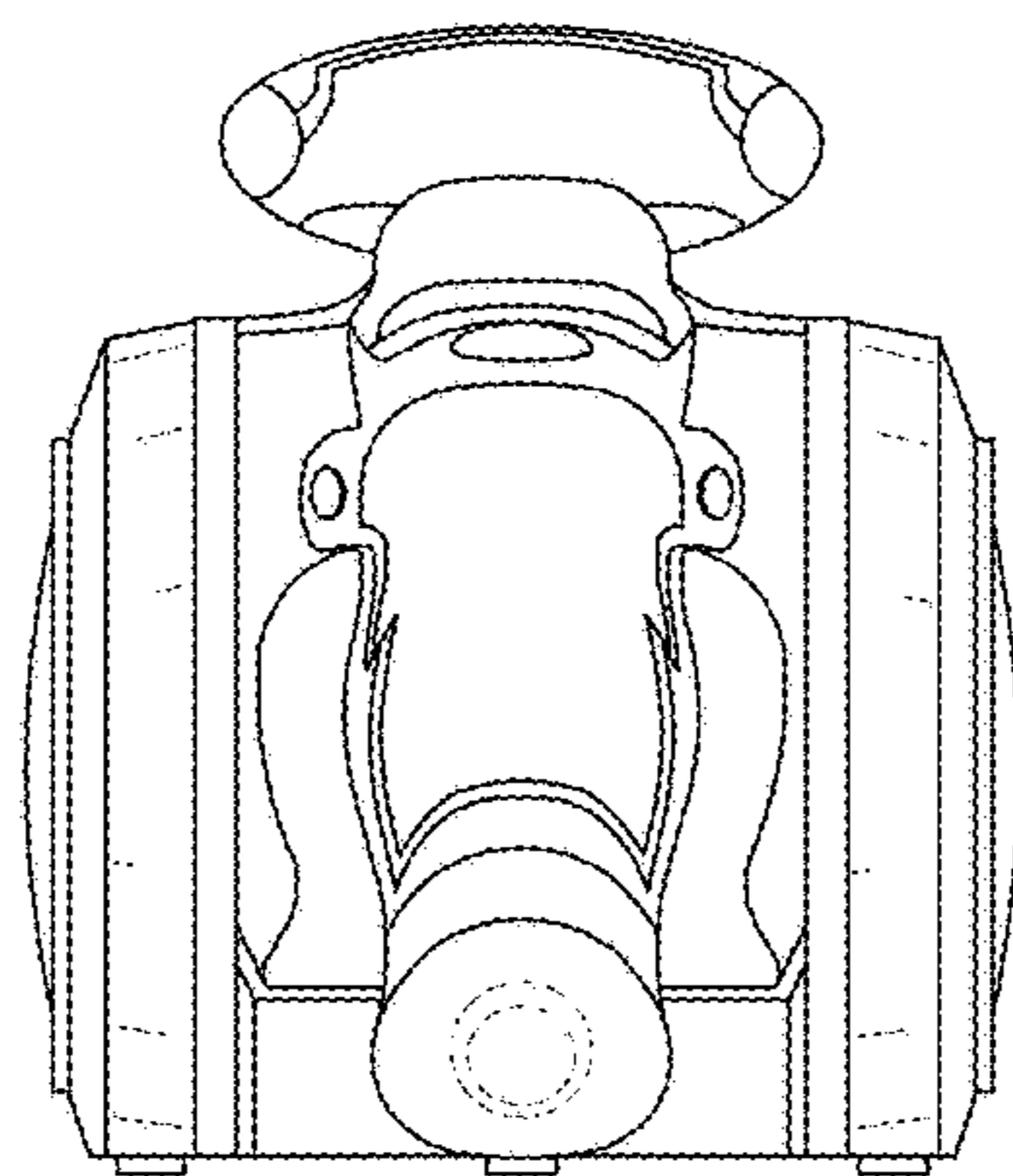


FIG. 6

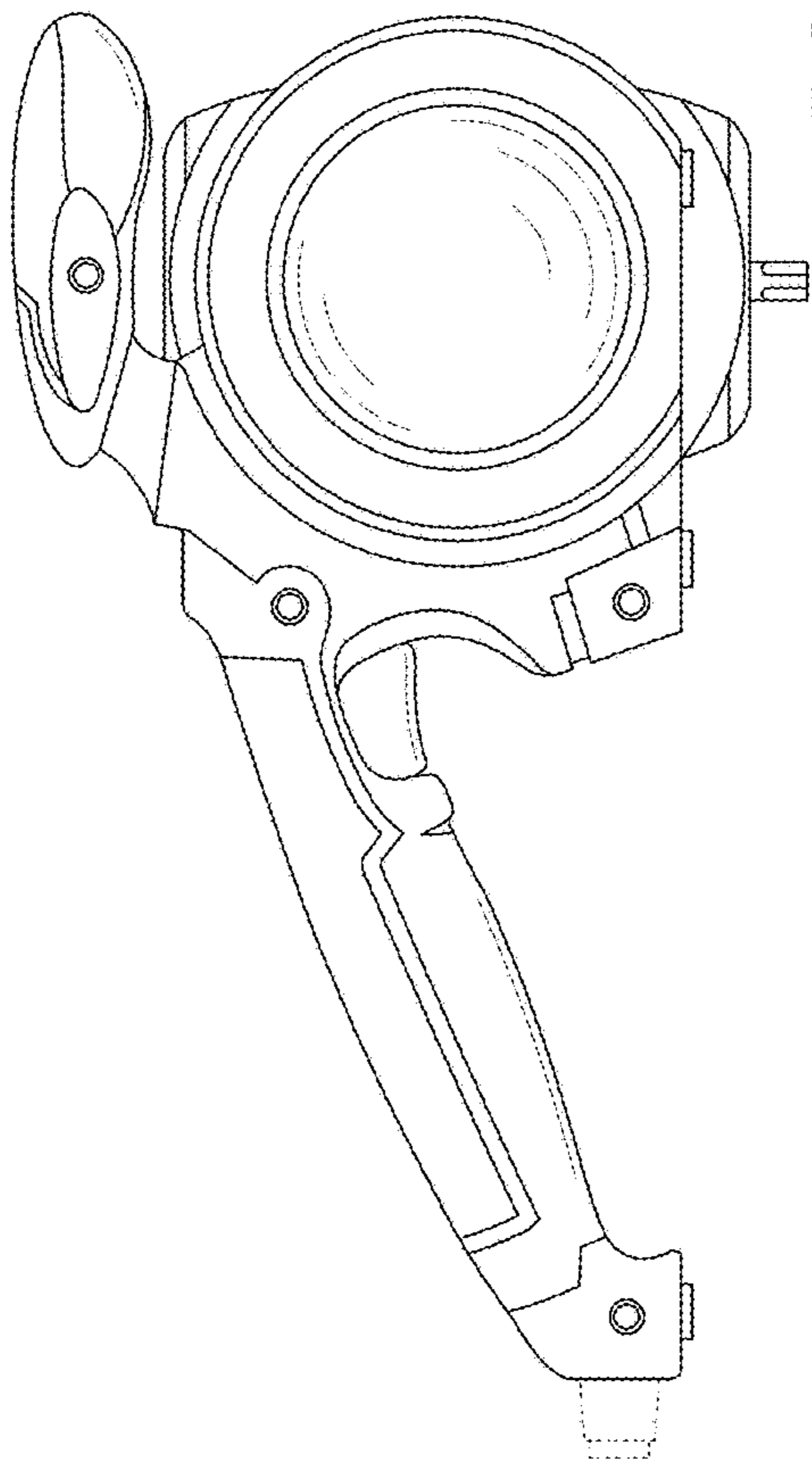


FIG. 7

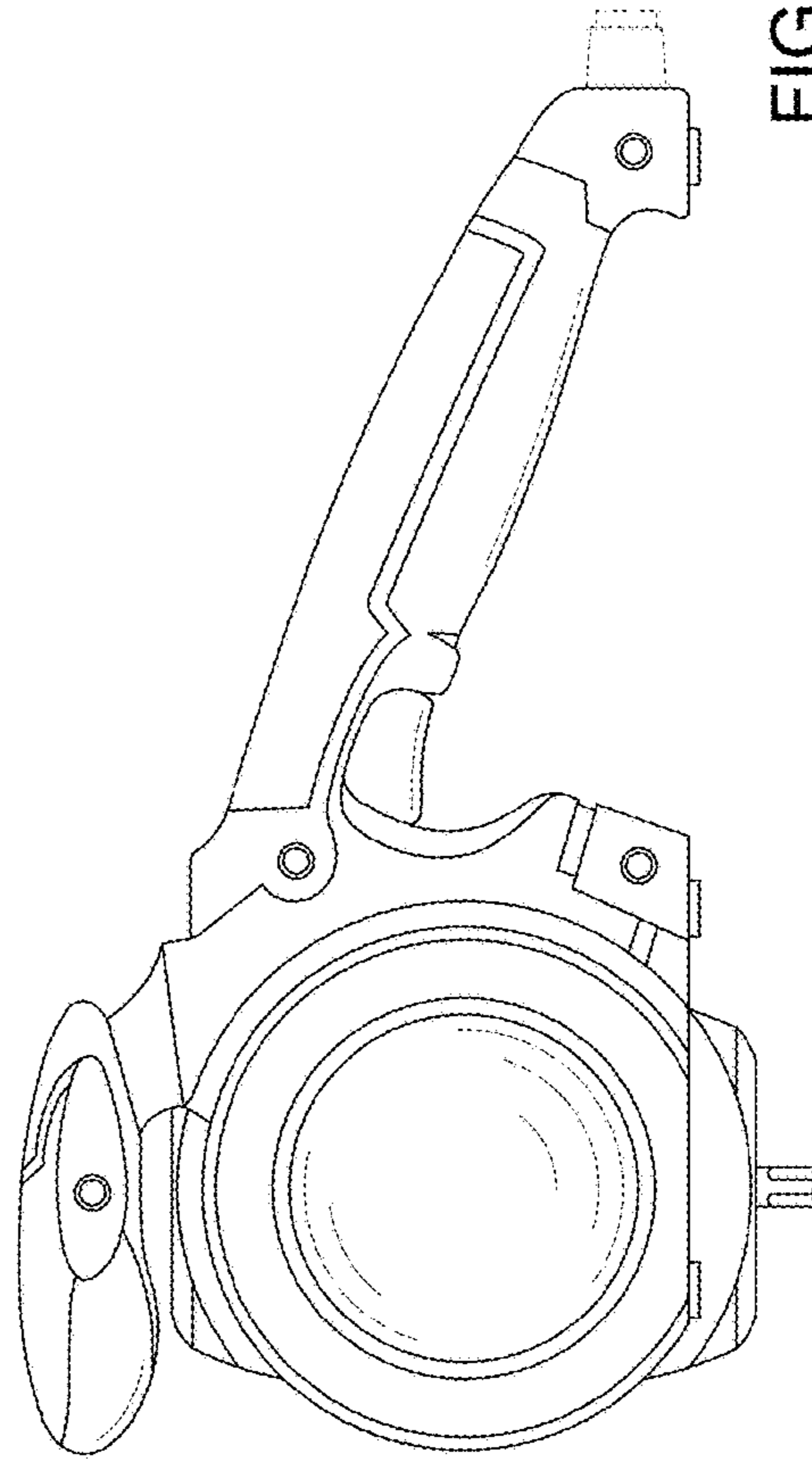


FIG. 8

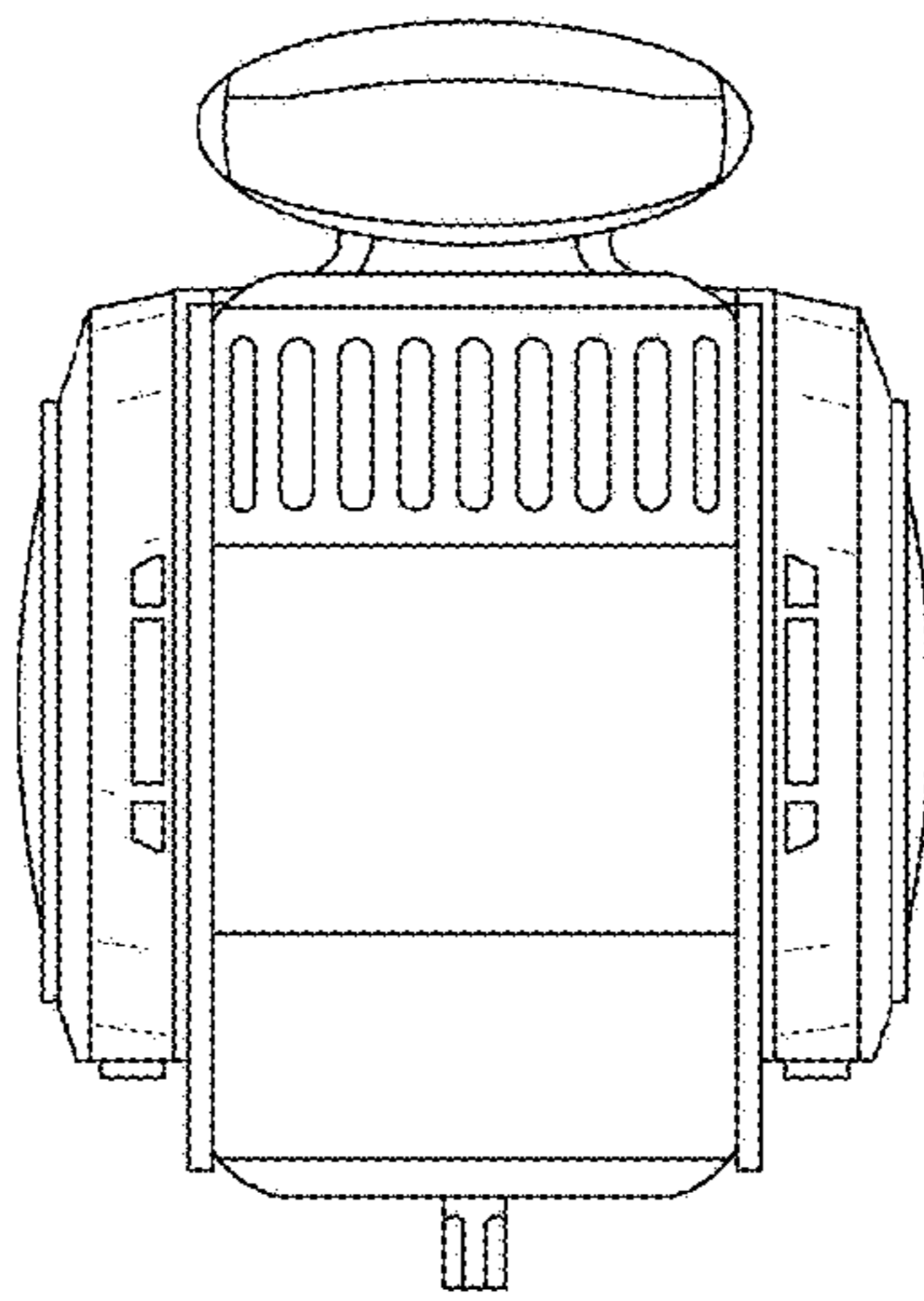


FIG. 9