



US00D863912S

(12) **United States Design Patent**
Yang

(10) **Patent No.:** **US D863,912 S**

(45) **Date of Patent:** **** Oct. 22, 2019**

(54) **ROUND SANDER**

(71) Applicant: **ZHUHAI SHARP-GROUP ENTERPRISE CO., LTD.**, Zhuhai (CN)

(72) Inventor: **Xiaofei Yang**, Zhuhai (CN)

(73) Assignee: **ZHUHAI SHARP-GROUP ENTERPRISE CO., LTD.**, Zhuhai (CN)

(**) Term: **15 Years**

(21) Appl. No.: **29/660,049**

(22) Filed: **Aug. 15, 2018**

(30) **Foreign Application Priority Data**

May 23, 2018 (CN) 2018 3 0243049

(51) **LOC (12) Cl.** **08-03**

(52) **U.S. Cl.**
USPC **D8/62**

(58) **Field of Classification Search**
USPC D8/69, 68, 67, 66, 64, 61, 70; 83/698.41, 83/747, 166.3, 374, 373, 375, 376, 391, 83/377, 390, 388, 389; 125/13.01; 144/218; D21/532
CPC B24B 23/028; B24B 47/12; B24B 7/186; B25F 5/001; B25F 5/02
See application file for complete search history.

(56) **References Cited**

U.S. PATENT DOCUMENTS

D509,417 S *	9/2005	Wikle	D8/62
D528,386 S *	9/2006	Wu	D8/62
D528,886 S *	9/2006	Heun	D8/62
D558,017 S *	12/2007	Cooper	D8/62
D585,258 S *	1/2009	Nojiri	D8/62
D636,243 S *	4/2011	Liu	D8/62

D664,411 S *	7/2012	Aglassinger	D8/62
D666,071 S *	8/2012	Aglassinger	D8/62
D679,159 S *	4/2013	Waldron	D8/62
9,061,393 B2 *	6/2015	Sugita	B24B 23/03
D739,199 S *	9/2015	Finnaes	D8/62
D740,635 S *	10/2015	Liaw	D8/62
D819,418 S *	6/2018	Gooden	D8/62
D821,840 S *	7/2018	Valentini	D8/62
D831,458 S *	10/2018	Itoh	D8/62
D846,962 S *	4/2019	Schirmacher	D8/62

* cited by examiner

Primary Examiner — Austin Murphy

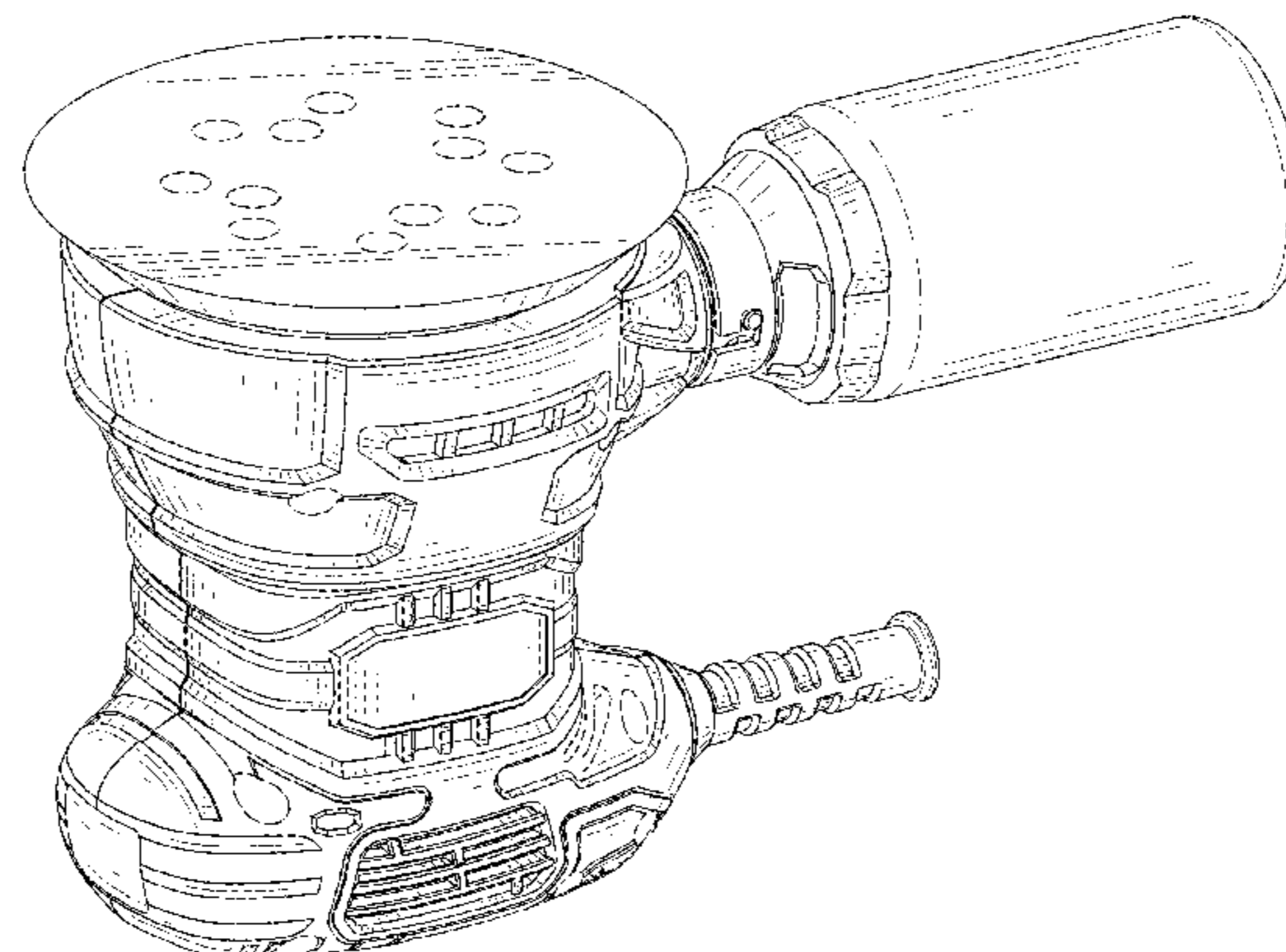
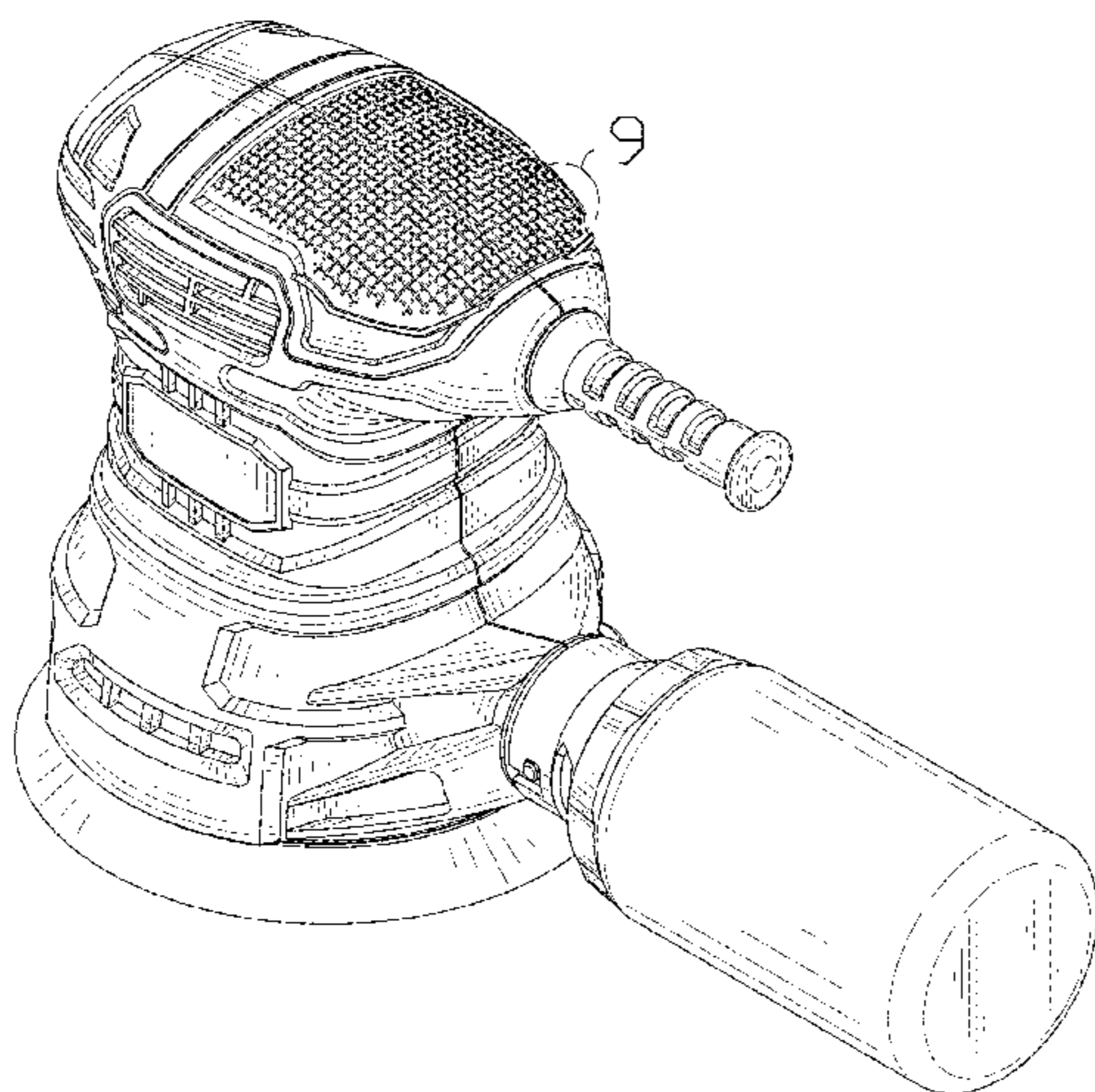
(57) **CLAIM**

The ornamental design for a round sander, as shown and described.

DESCRIPTION

FIG. 1 is a top-down perspective view of a round sander showing my new design;
FIG. 2 is a bottom-up perspective view thereof;
FIG. 3 is a front side elevation view thereof;
FIG. 4 is a rear side elevation view thereof;
FIG. 5 is a left side elevation view thereof;
FIG. 6 is a right side elevation view thereof;
FIG. 7 is a top plan view thereof;
FIG. 8 is a bottom plan view thereof;
FIG. 9 is a partially enlarged view of FIG. 1;
FIG. 10 is a partially enlarged view of FIG. 3;
FIG. 11 is a partially enlarged view of FIG. 4;
FIG. 12 is a partially enlarged view of FIG. 5;
FIG. 13 is a partially enlarged view of FIG. 5;
FIG. 14 is a partially enlarged view of FIG. 6;
FIG. 15 is a partially enlarged view of FIG. 7; and,
FIG. 16 is a partially enlarged view of FIG. 8.
Broken lines depict portions of the round sander that form no part of the claimed design. Dot-dash broken lines depict boundaries of the partially enlarged part of the corresponding figures that form no part of the claimed design.

1 Claim, 16 Drawing Sheets



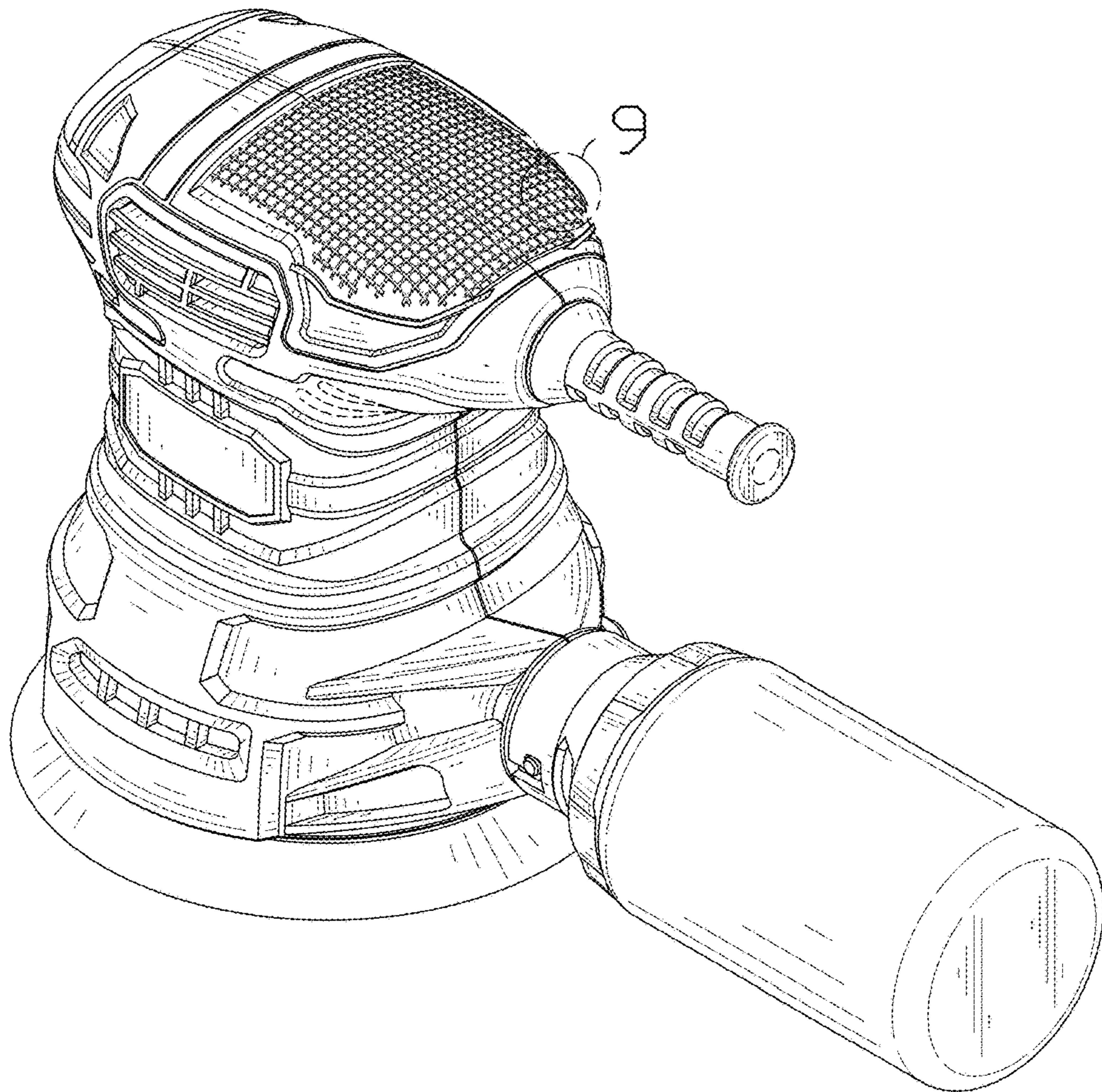


FIG. 1

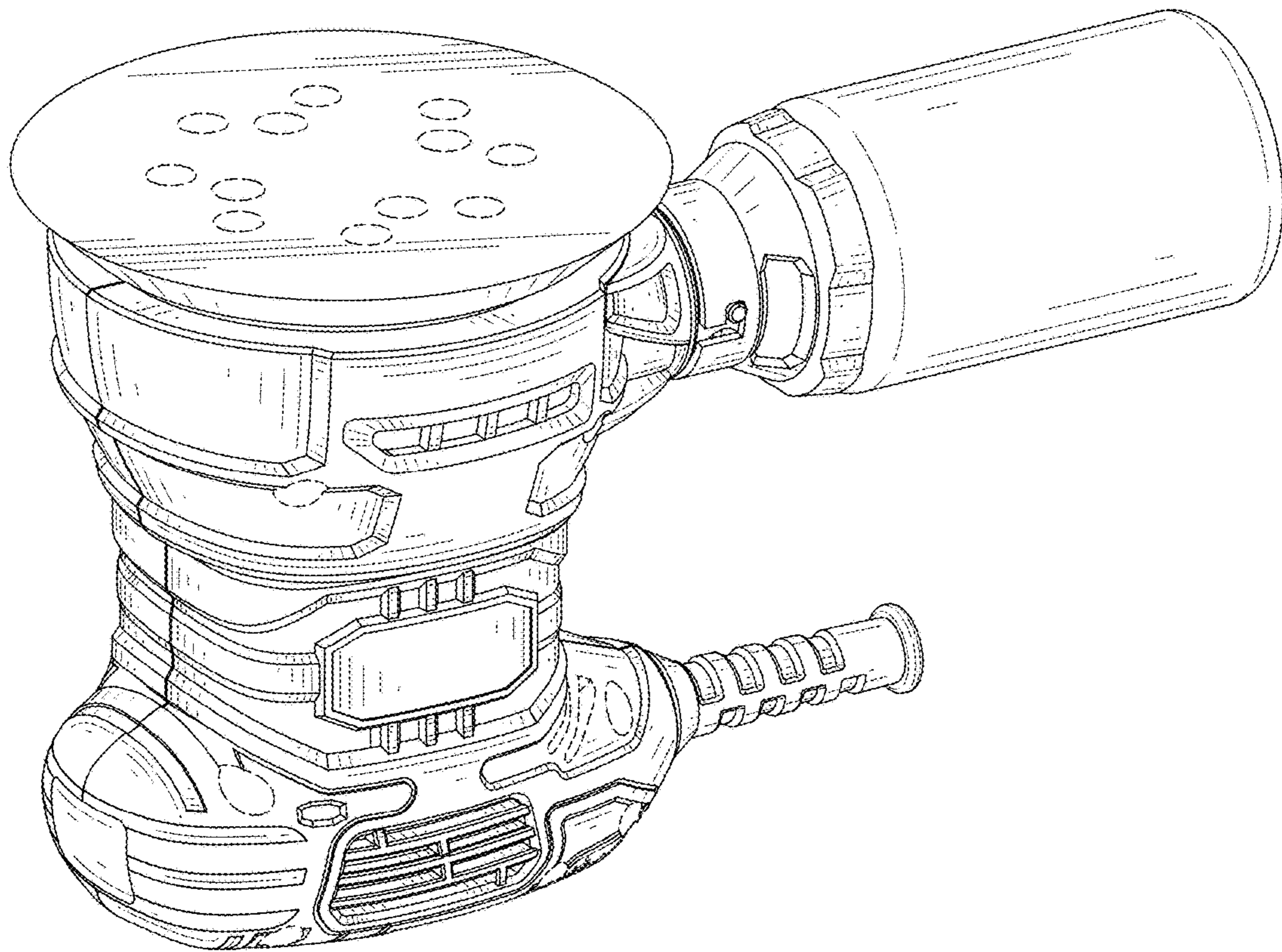


FIG. 2

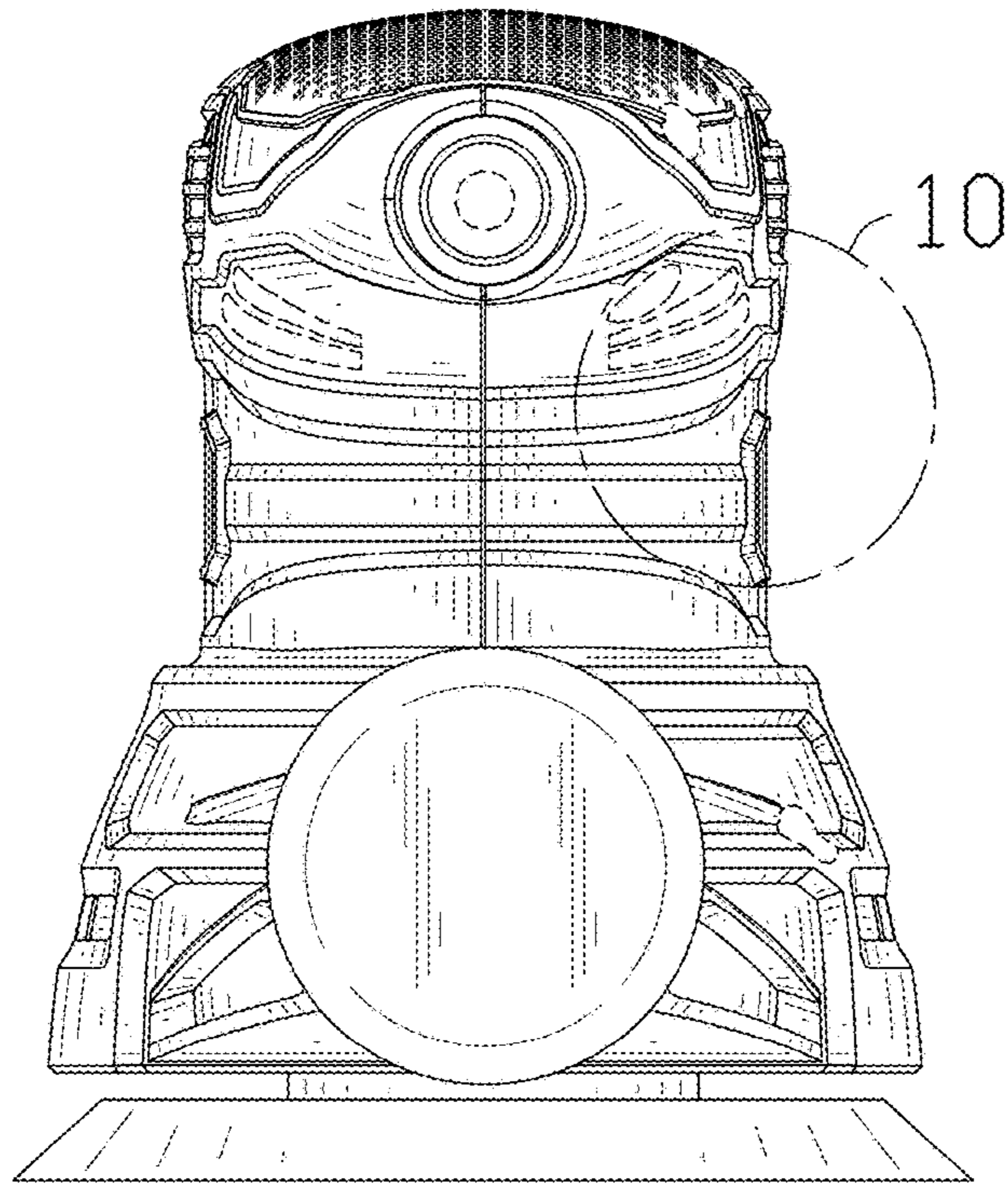


FIG. 3

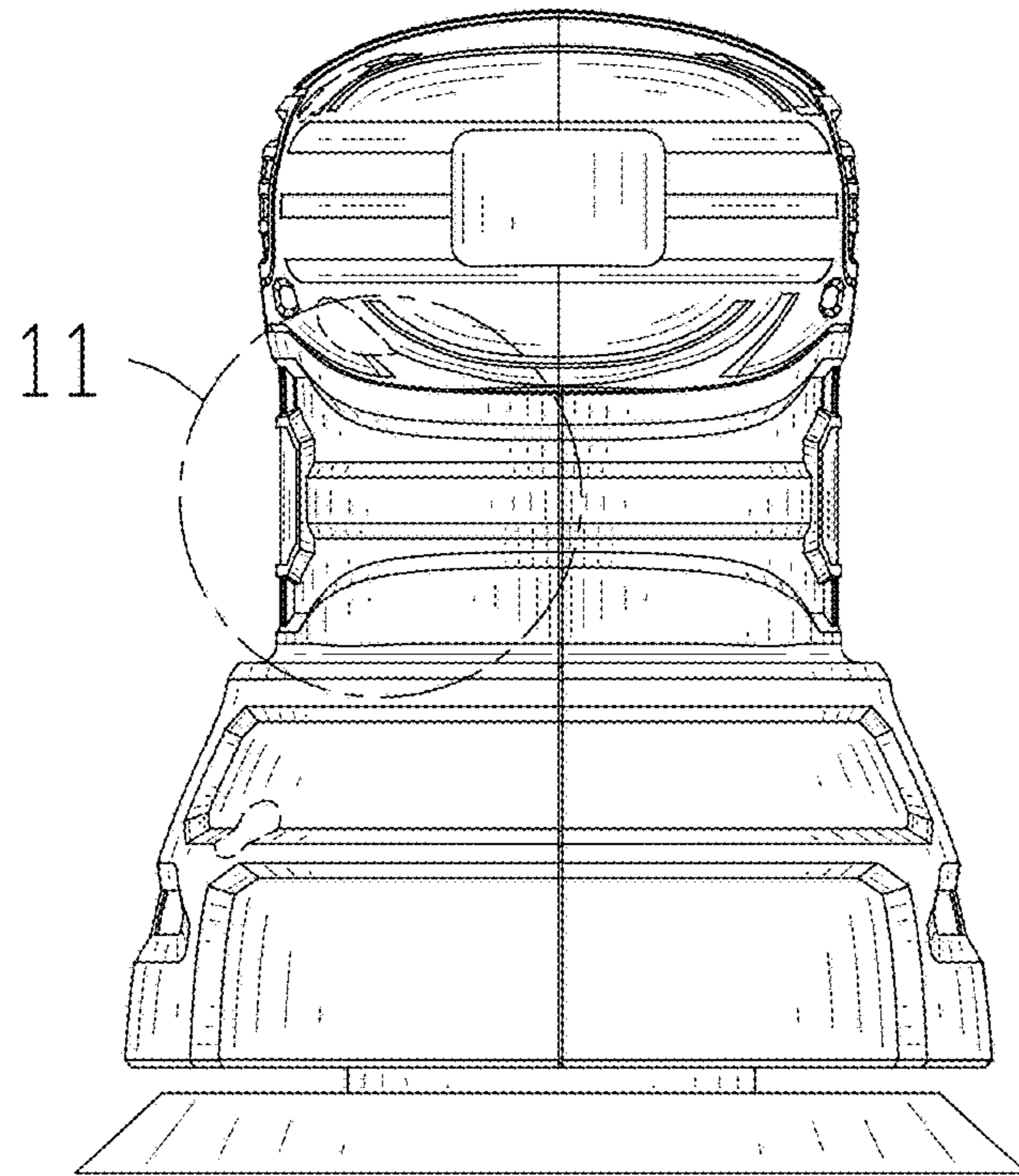


FIG. 4

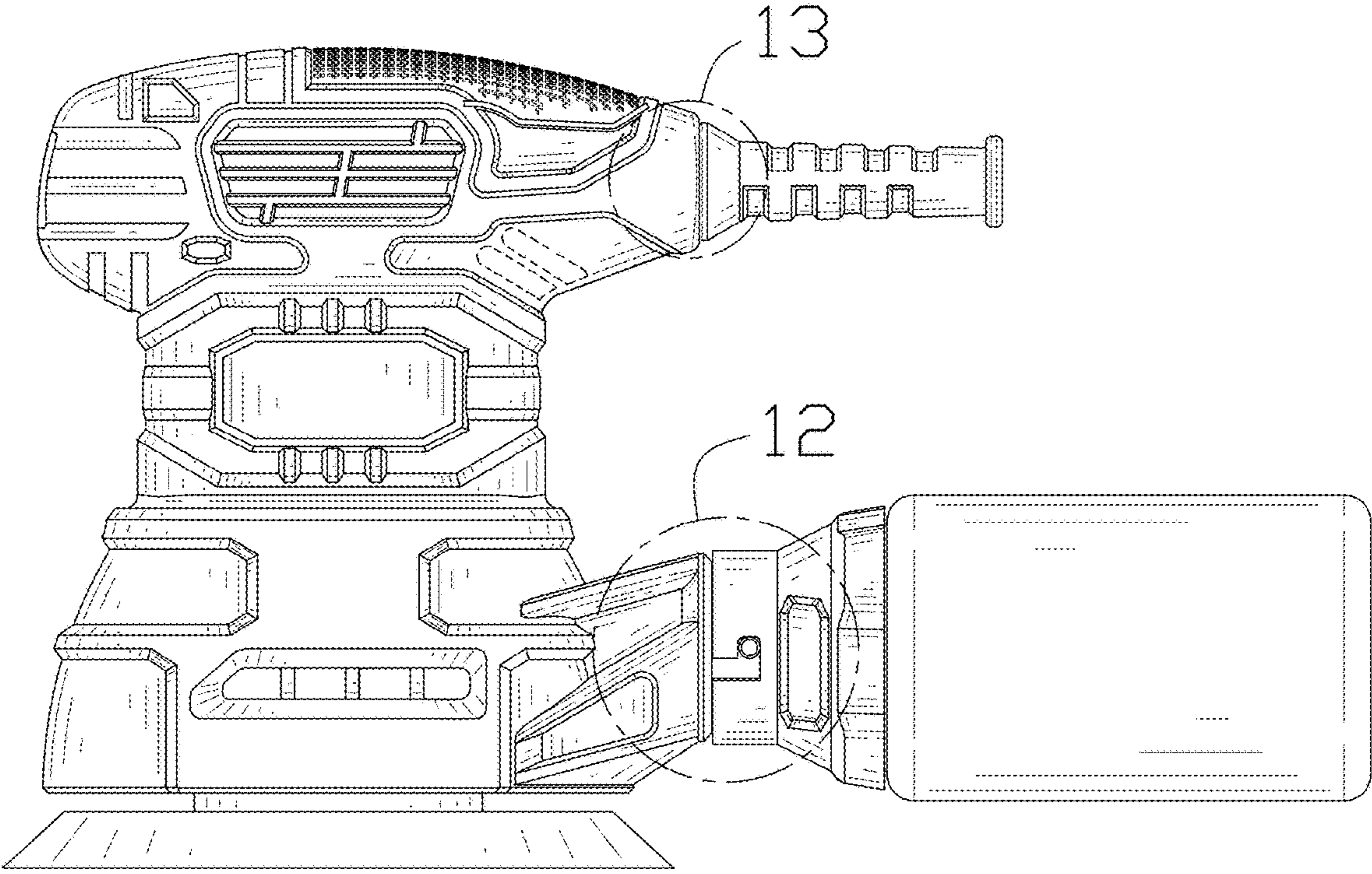


FIG. 5

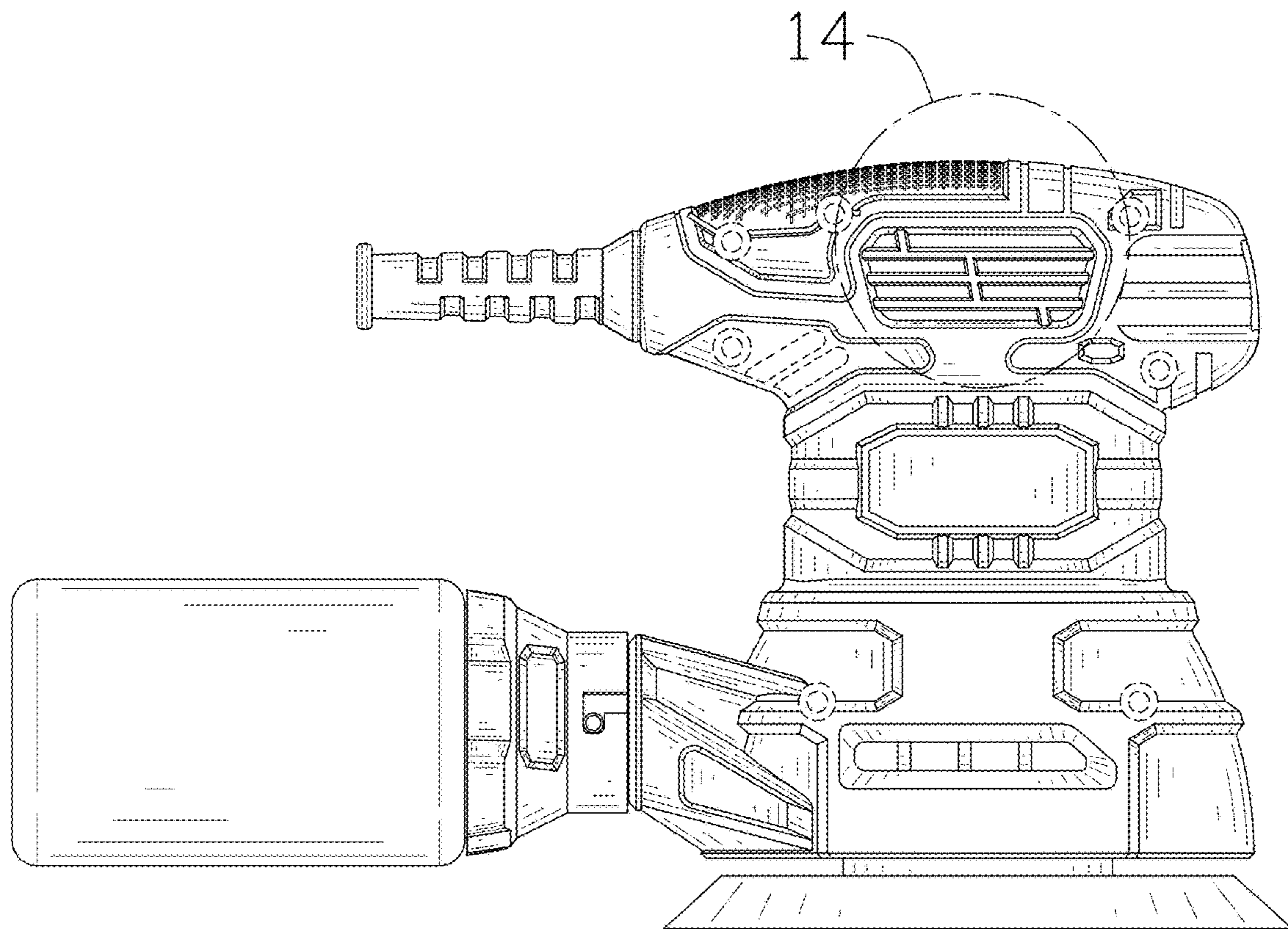


FIG. 6

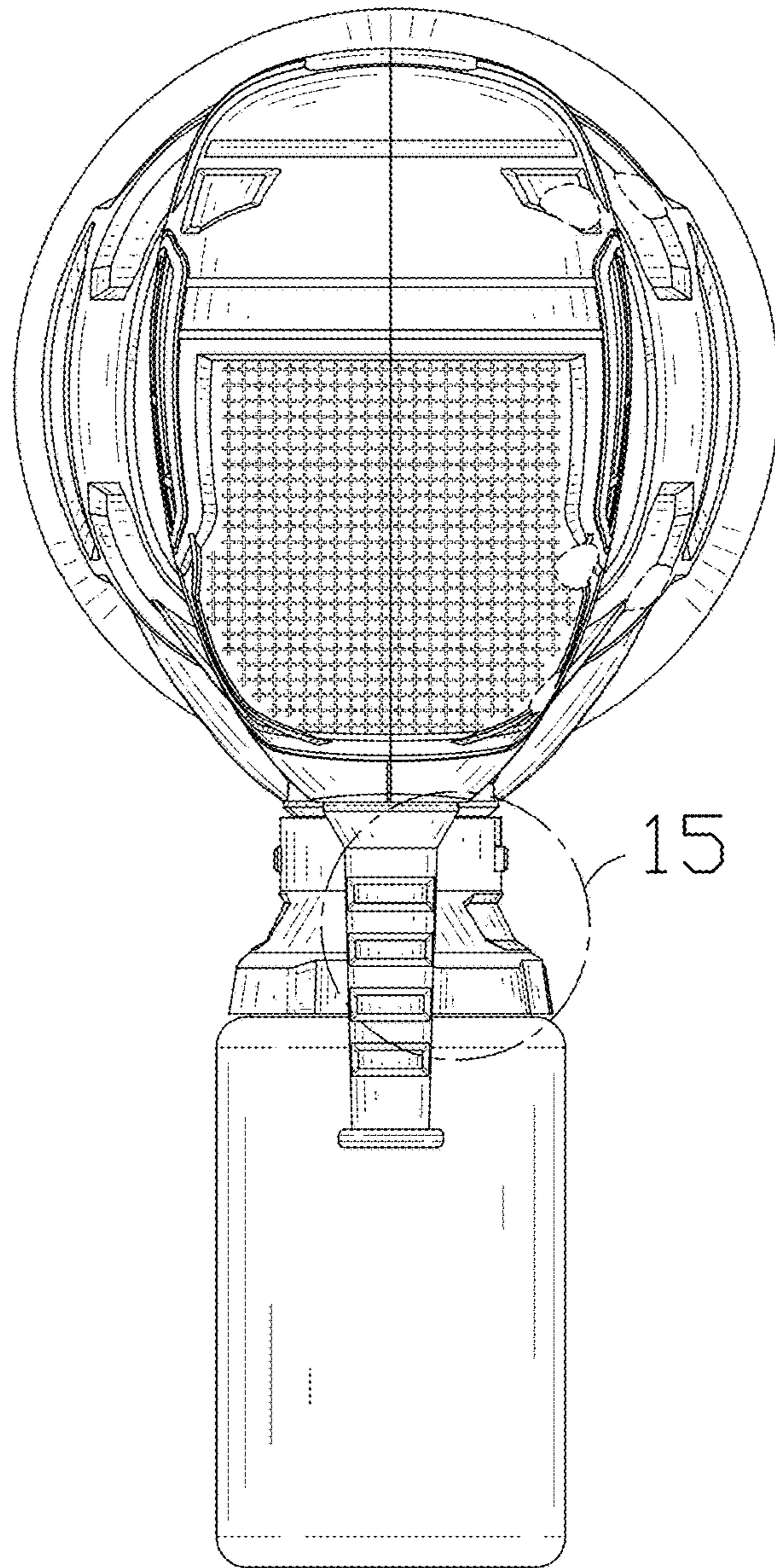


FIG. 7

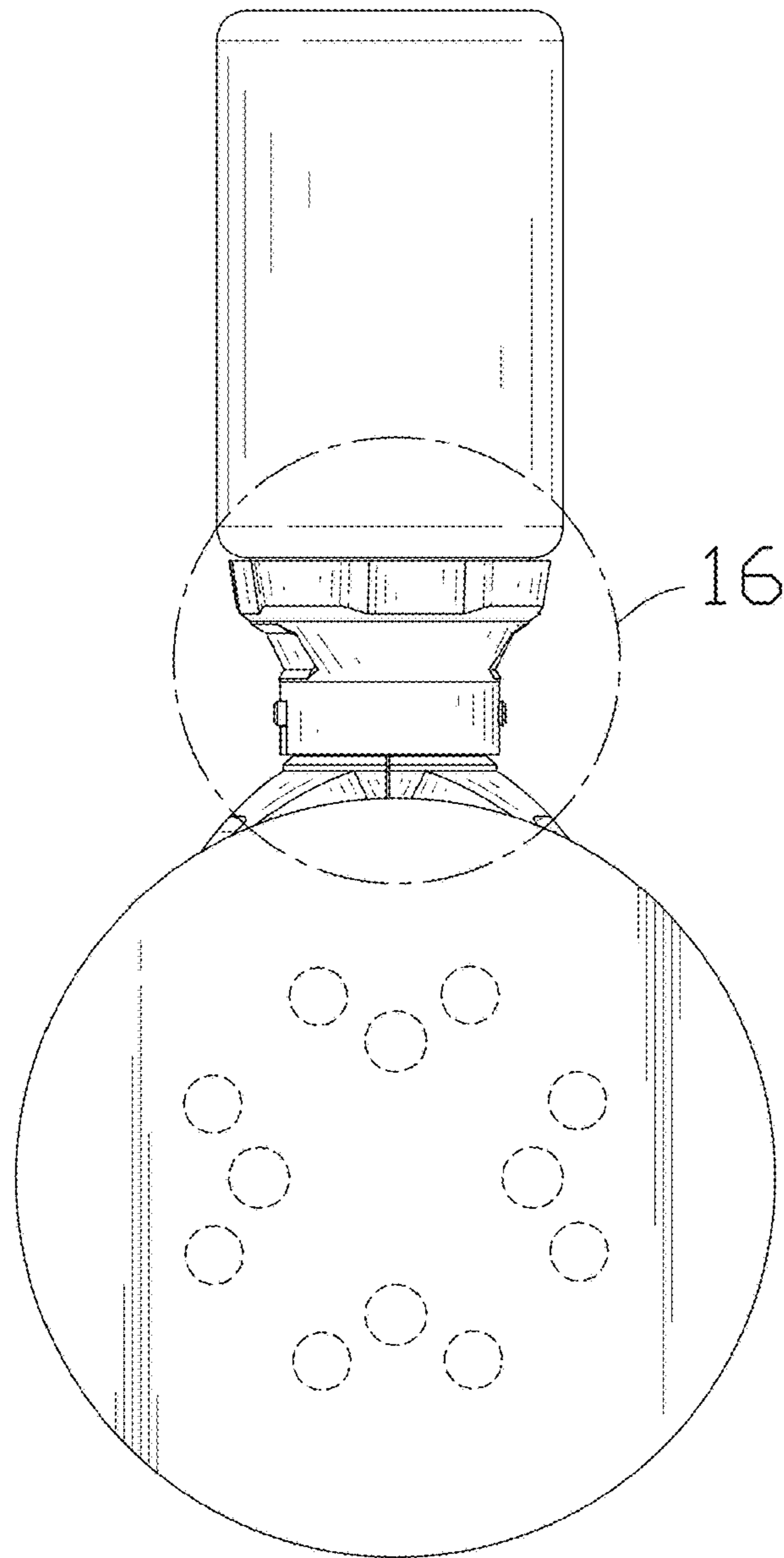


FIG. 8

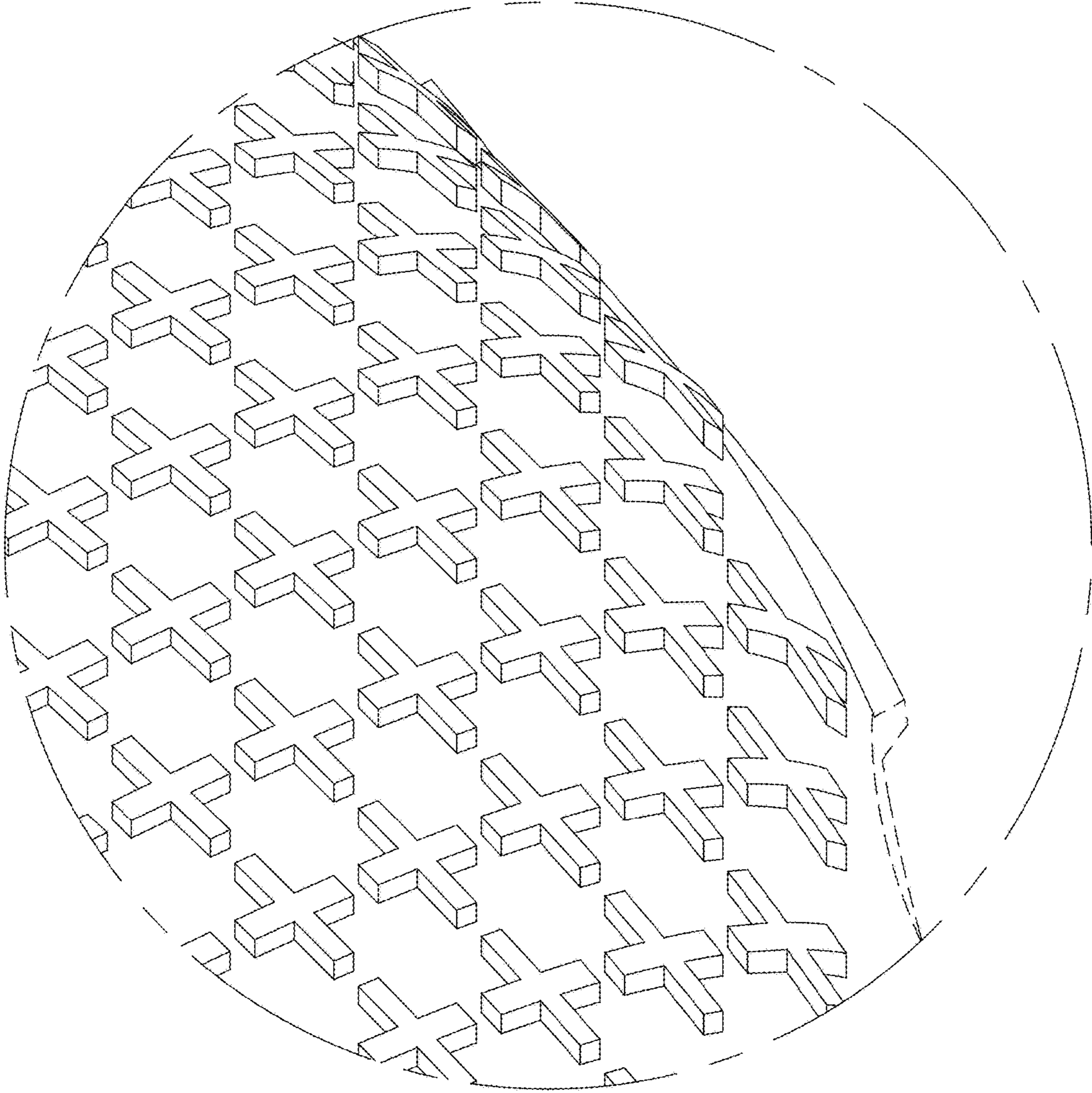


FIG. 9

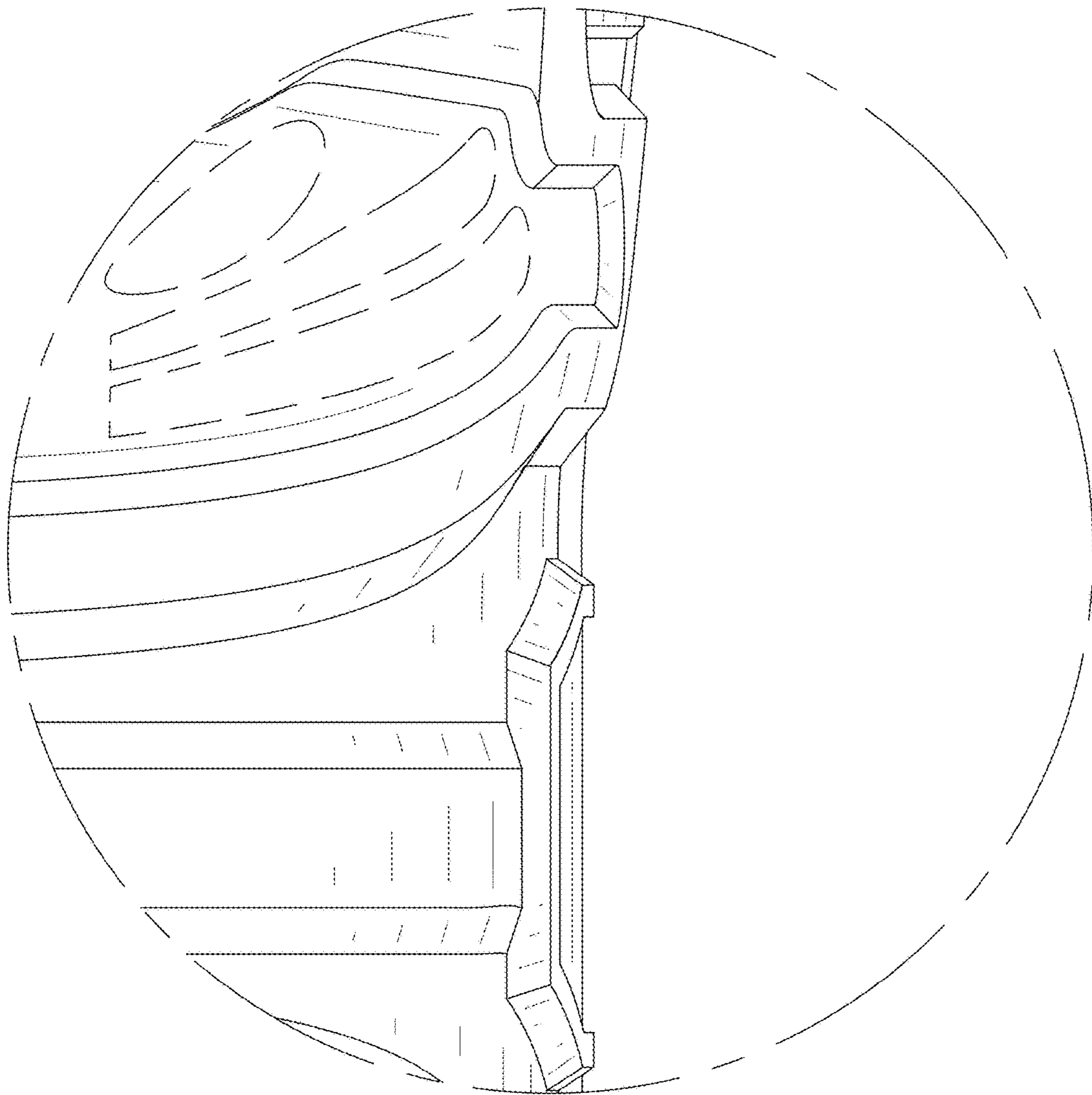


FIG. 10

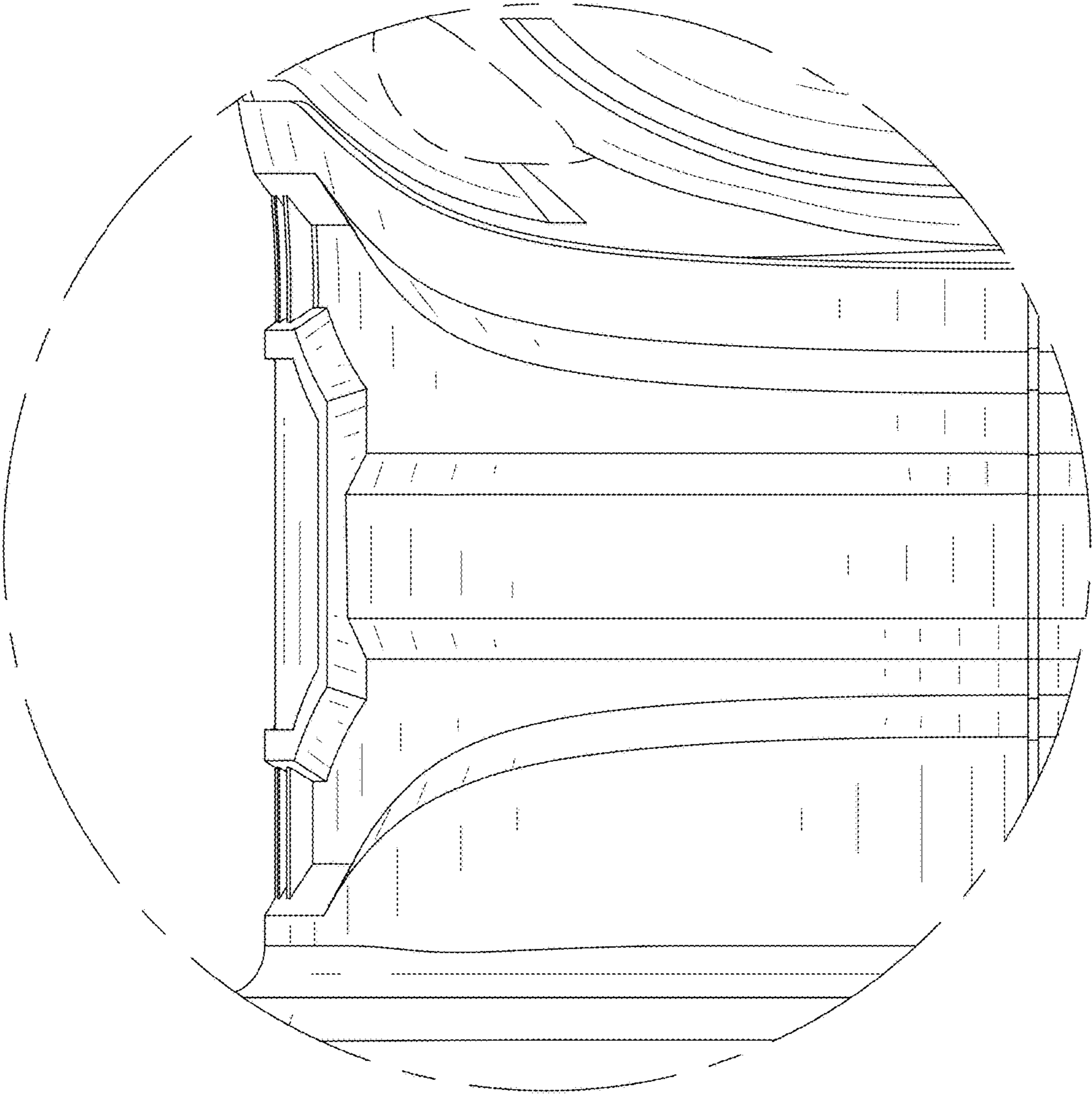


FIG. 11

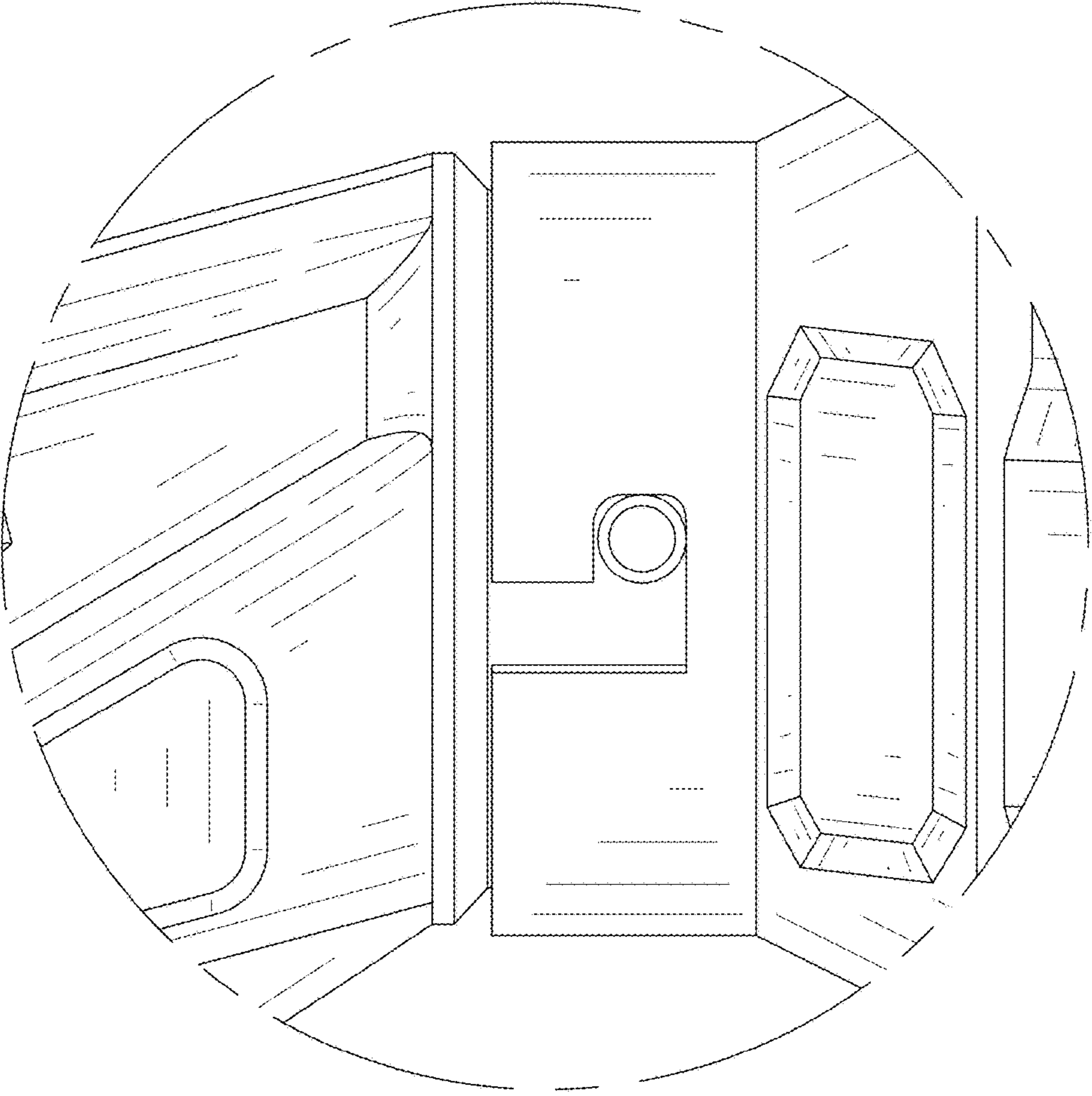


FIG. 12

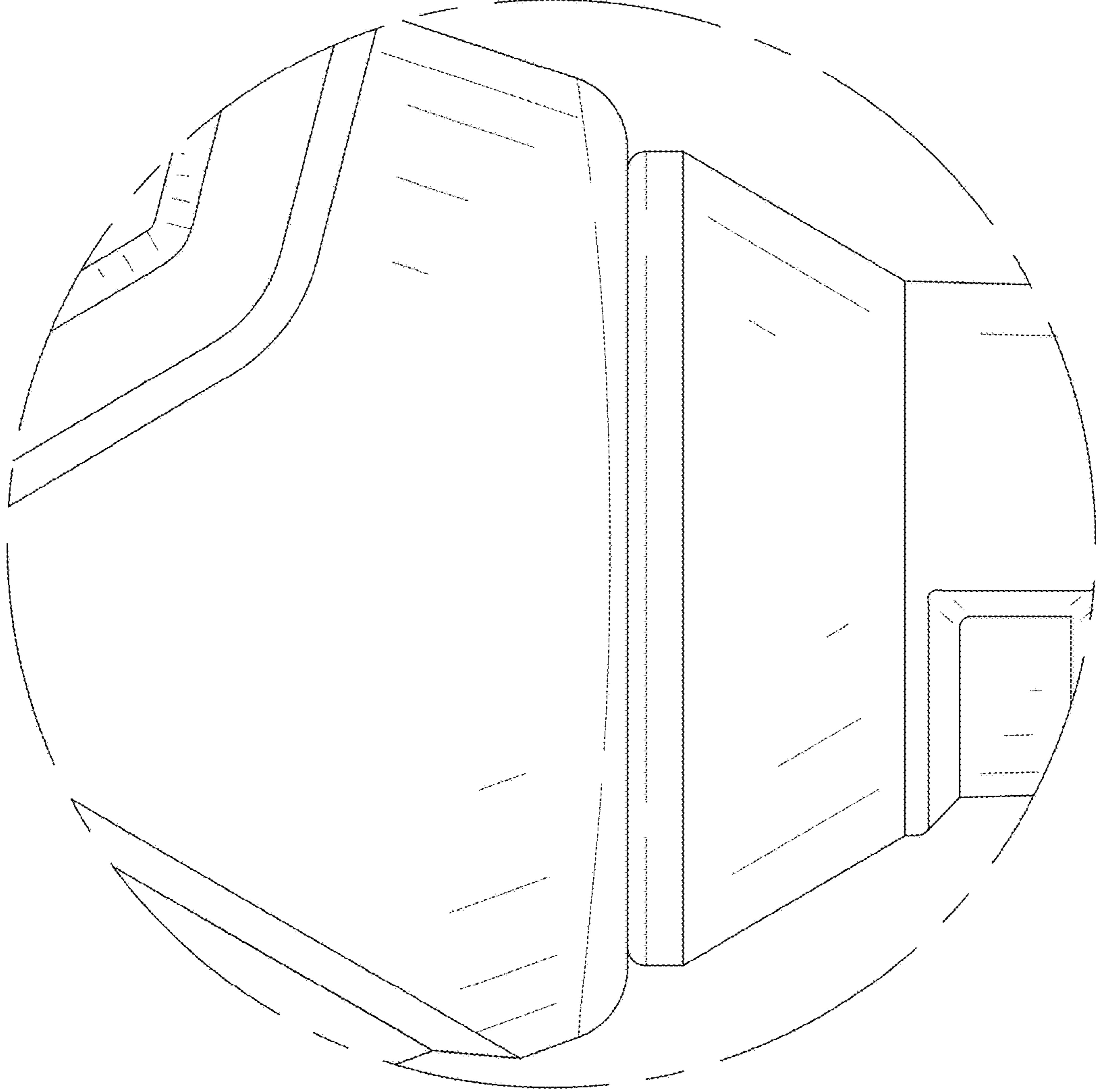


FIG. 13

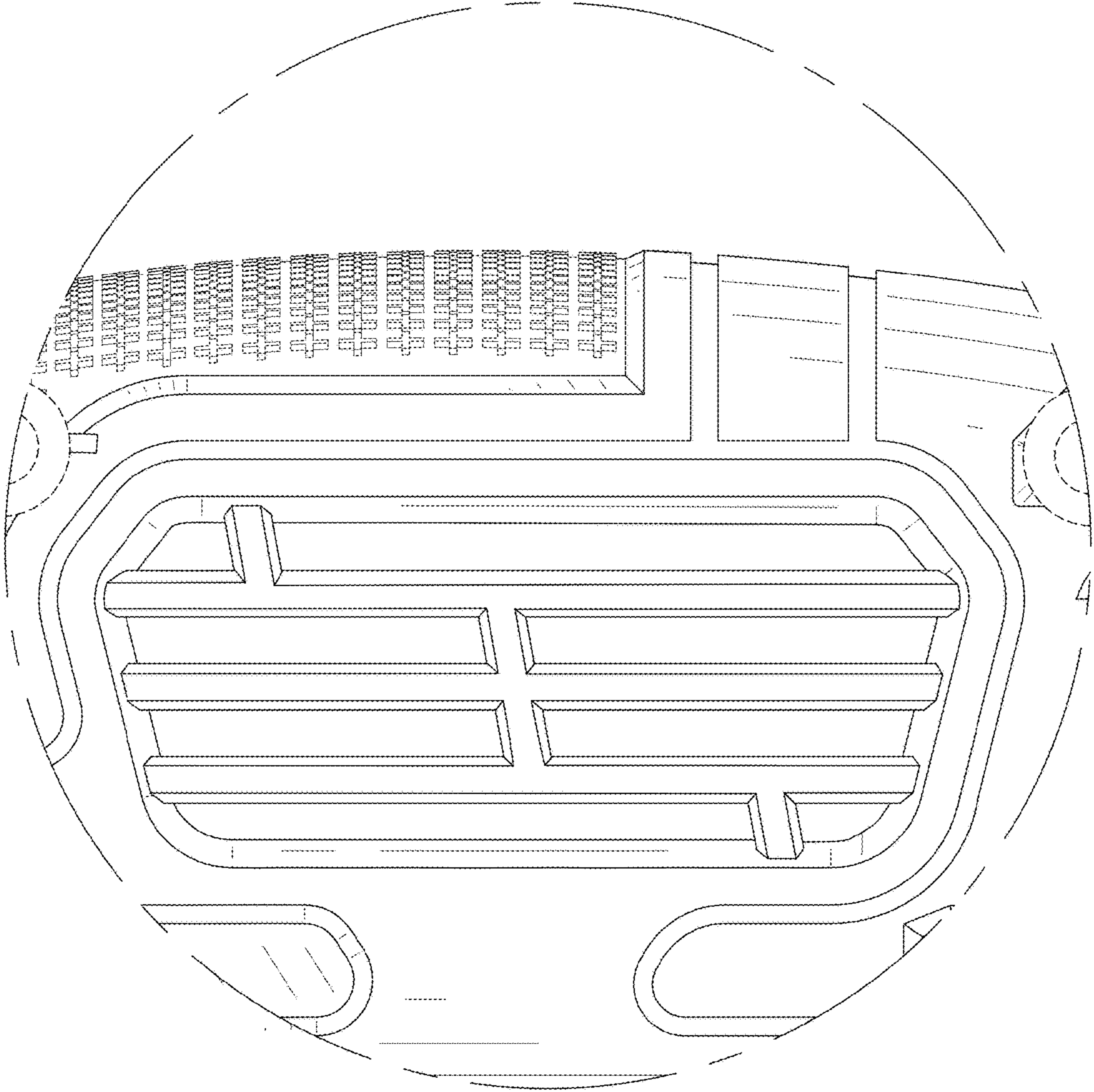


FIG. 14

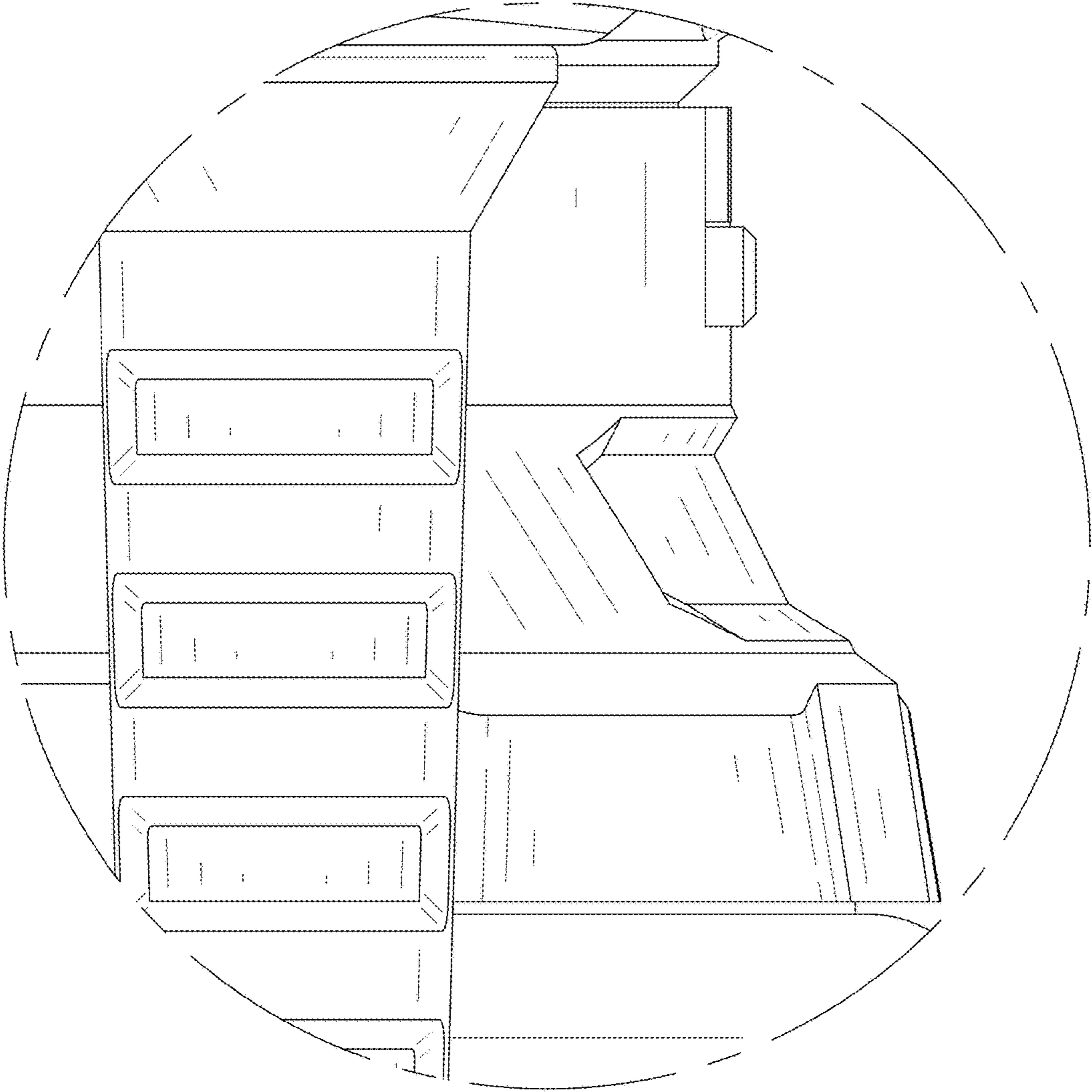


FIG. 15

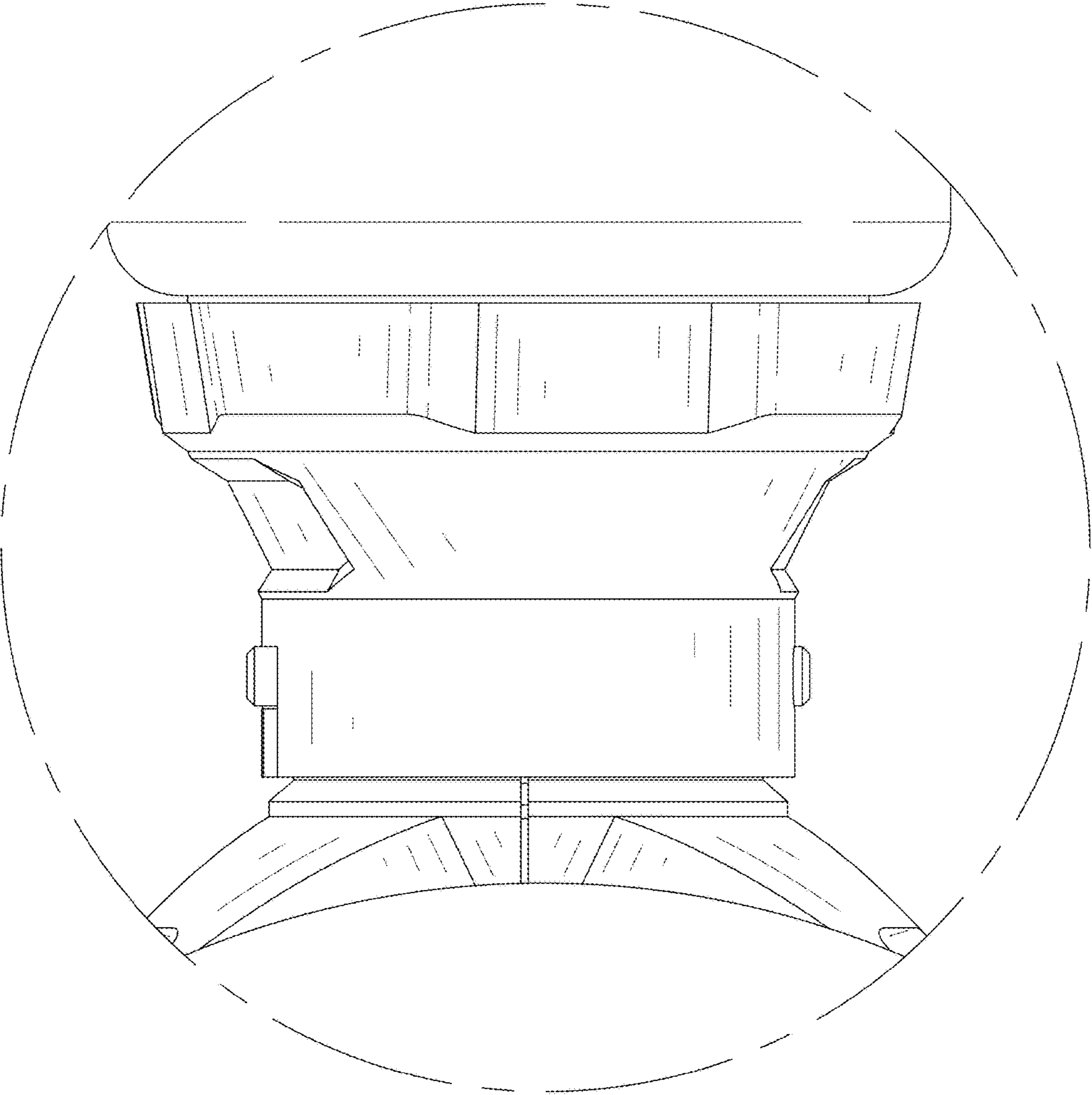


FIG. 16