



US00D863911S

(12) **United States Design Patent**  
**Yang**

(10) **Patent No.:** **US D863,911 S**

(45) **Date of Patent:** **\*\* Oct. 22, 2019**

(54) **PALM SANDER**

(71) Applicant: **ZHUHAI SHARP-GROUP ENTERPRISE CO., LTD.**, Zhuhai (CN)

(72) Inventor: **Xiaofei Yang**, Zhuhai (CN)

(73) Assignee: **ZHUHAI SHARP-GROUP ENTERPRISE CO., LTD.**, Zhuhai (CN)

(\*\*) Term: **15 Years**

(21) Appl. No.: **29/660,044**

(22) Filed: **Aug. 15, 2018**

(30) **Foreign Application Priority Data**

May 23, 2018 (CN) ..... 2018 3 0243048

(51) **LOC (12) Cl.** ..... **08-03**

(52) **U.S. Cl.**  
USPC ..... **D8/62**

(58) **Field of Classification Search**  
USPC .... D8/69, 68, 67, 66, 64, 61, 70; 83/698.41, 83/747, 166.3, 374, 373, 375, 376, 391, 83/377, 390, 388, 389; 125/13.01; 144/218; D21/532  
CPC ..... B24B 23/028; B24B 47/12; B24B 7/186; B25F 5/001; B25F 5/02  
See application file for complete search history.

(56) **References Cited**

**U.S. PATENT DOCUMENTS**

D559,640 S \* 1/2008 Kraus ..... D8/62  
D567,047 S \* 4/2008 Okuda ..... D8/62

D609,071 S \* 2/2010 Yamamoto ..... D8/62  
D621,676 S \* 8/2010 Baxter ..... D8/62  
D632,939 S \* 2/2011 Misaki ..... D8/62  
D644,080 S \* 8/2011 Misaki ..... D8/62  
D650,651 S \* 12/2011 Misaki ..... D8/62  
D677,541 S \* 3/2013 Waldron ..... D8/62  
D718,998 S \* 12/2014 Tirone ..... D8/62  
D831,458 S \* 10/2018 Itoh ..... D8/62

\* cited by examiner

*Primary Examiner* — Austin Murphy

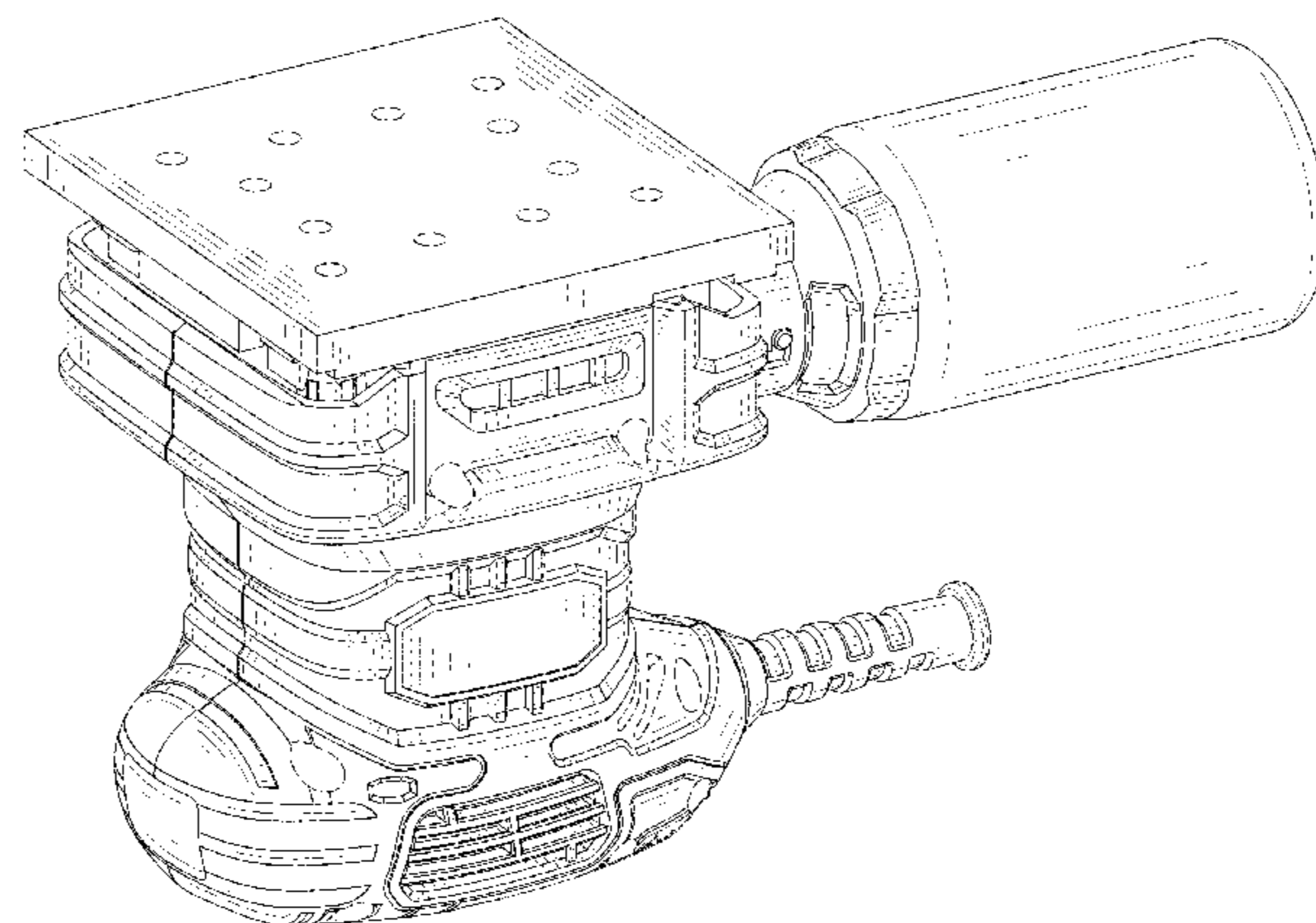
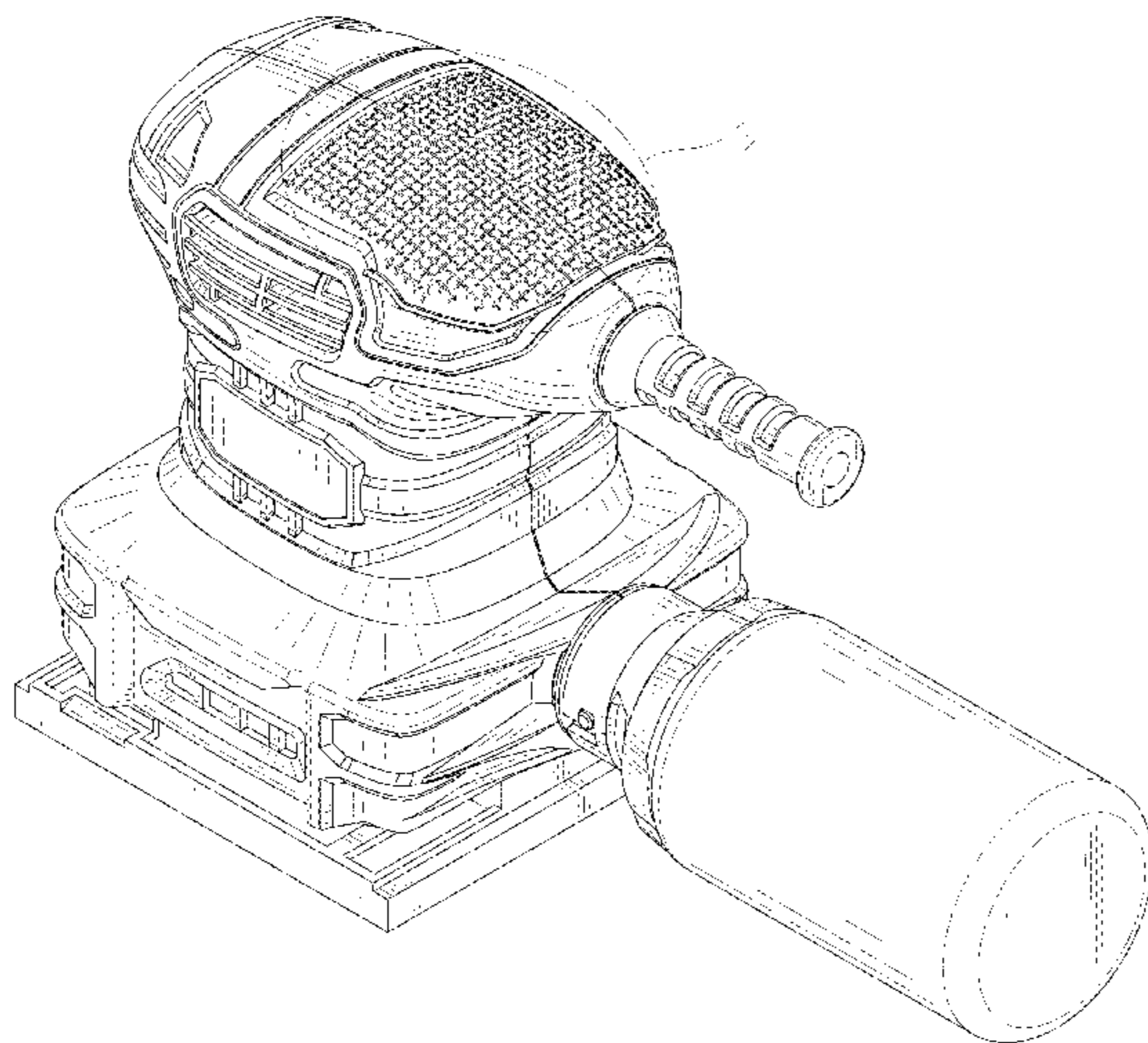
(57) **CLAIM**

The ornamental design for a palm sander, as shown and described.

**DESCRIPTION**

FIG. 1 is a top-down perspective view of a palm sander showing my new design; FIG. 2 is a bottom-up perspective view thereof; FIG. 3 is a front side elevation view thereof; FIG. 4 is a rear side elevation view thereof; FIG. 5 is a right side elevation view thereof; FIG. 6 is a left side elevation view thereof; FIG. 7 is a top plan view thereof; FIG. 8 is a bottom plan view thereof; FIG. 9 is a partially enlarged view of FIG. 1; and, FIG. 10 is a partially enlarged view of FIG. 6. Broken lines depict portions of the palm sander that form no part of the claimed design. Dot-dash broken lines depict boundaries of the partially enlarged parts of the corresponding figures that form no part of the claimed design.

**1 Claim, 10 Drawing Sheets**



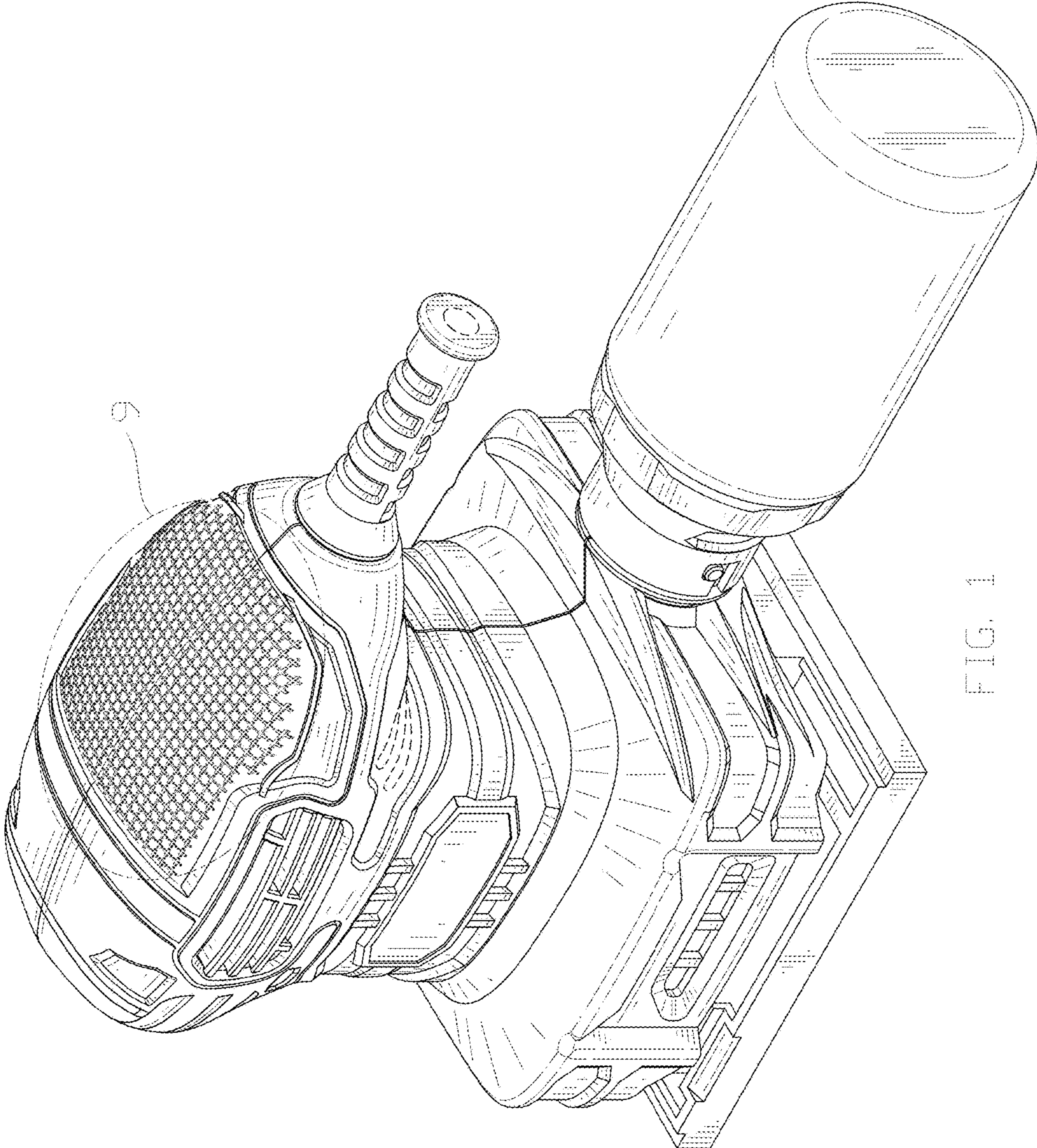


FIG. 1

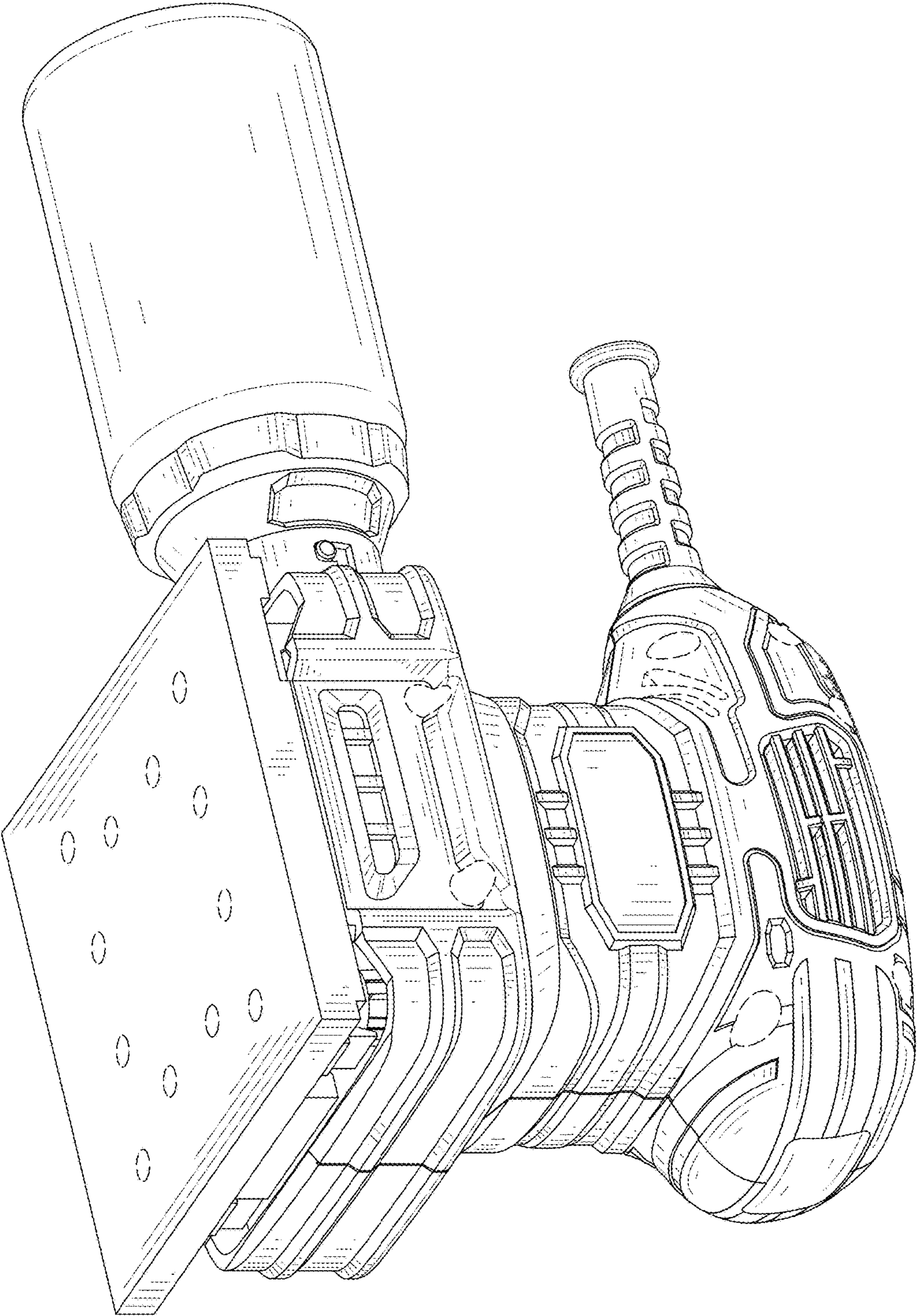


FIG. 2

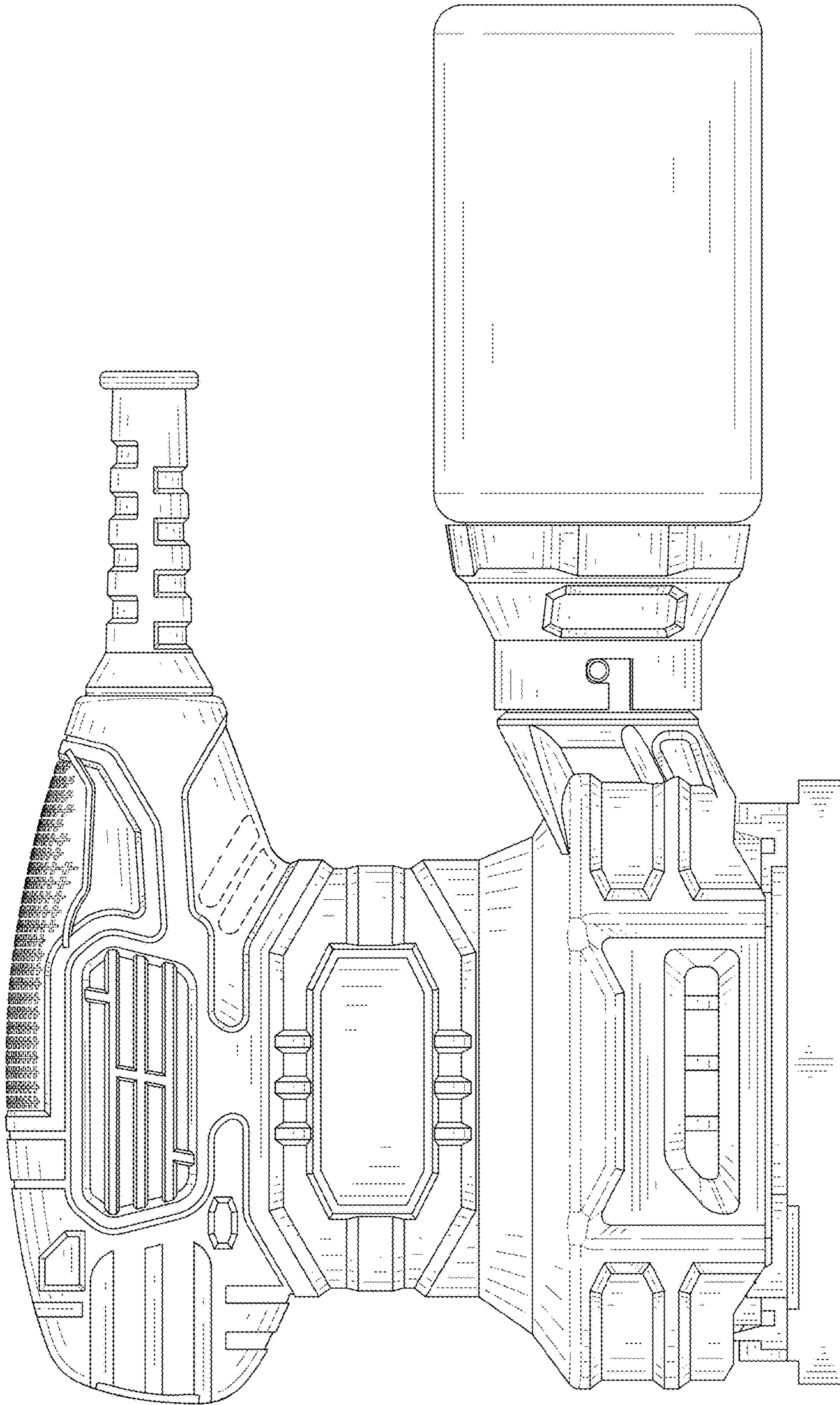


FIG. 3

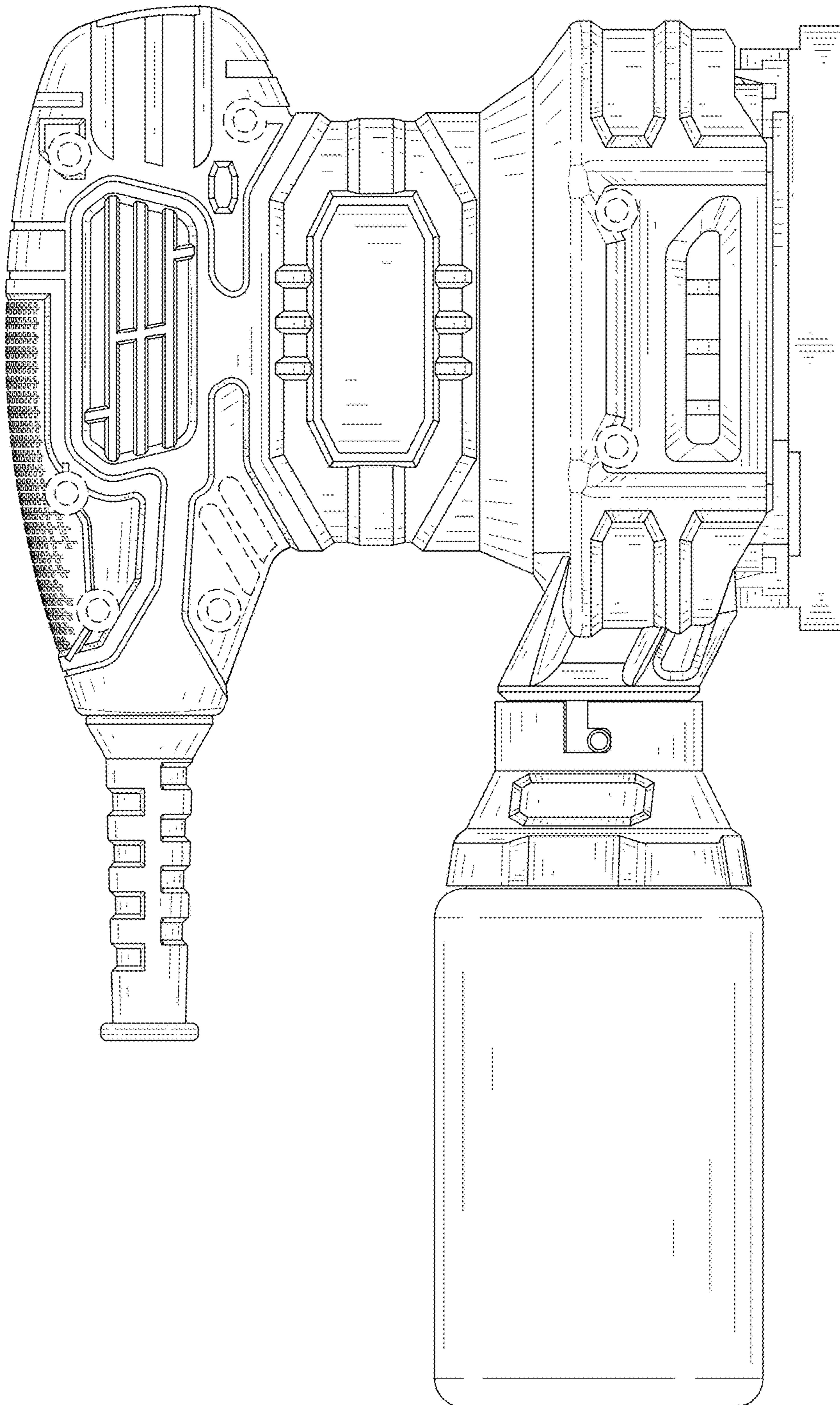


FIG. 4

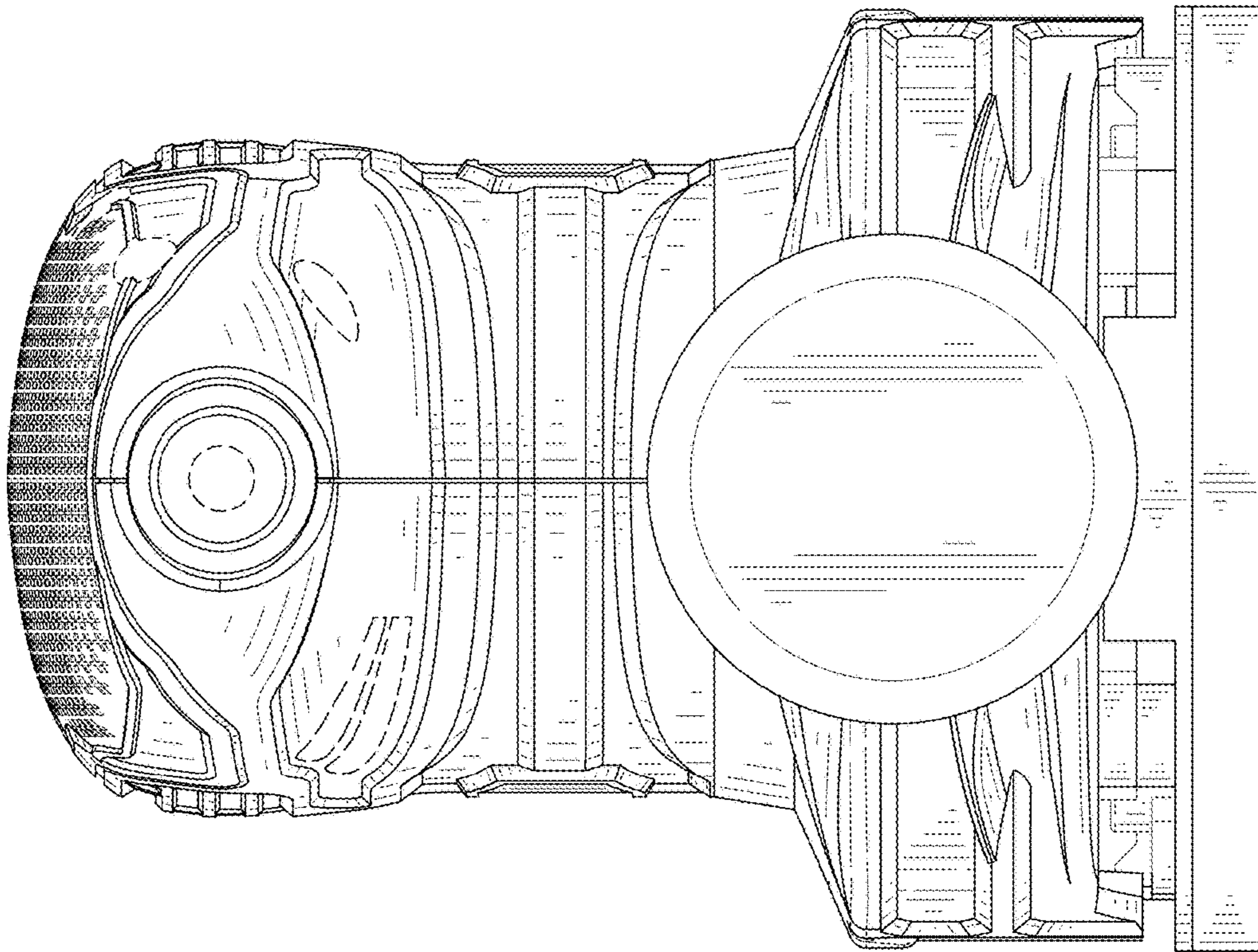


FIG. 5

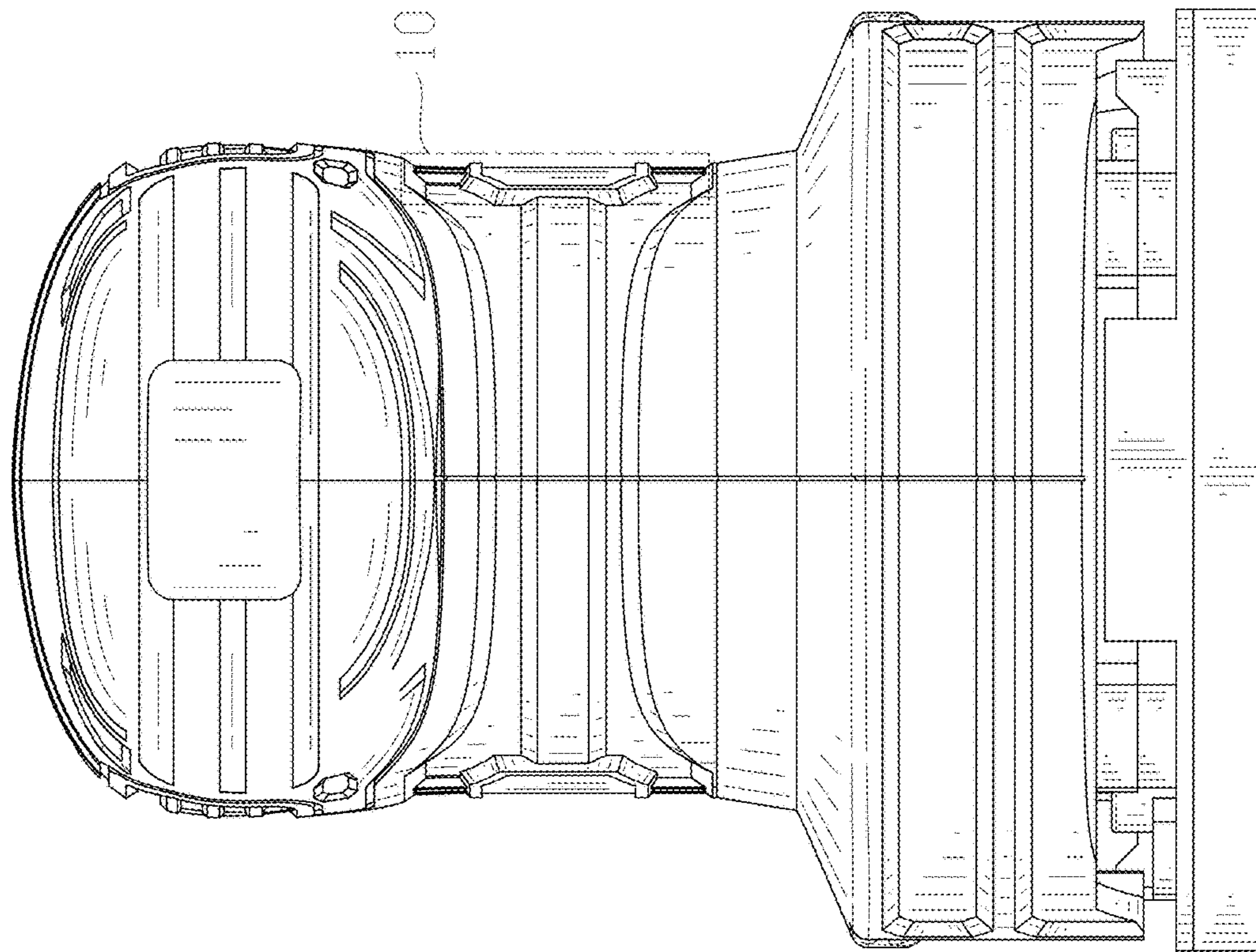


FIG. 6

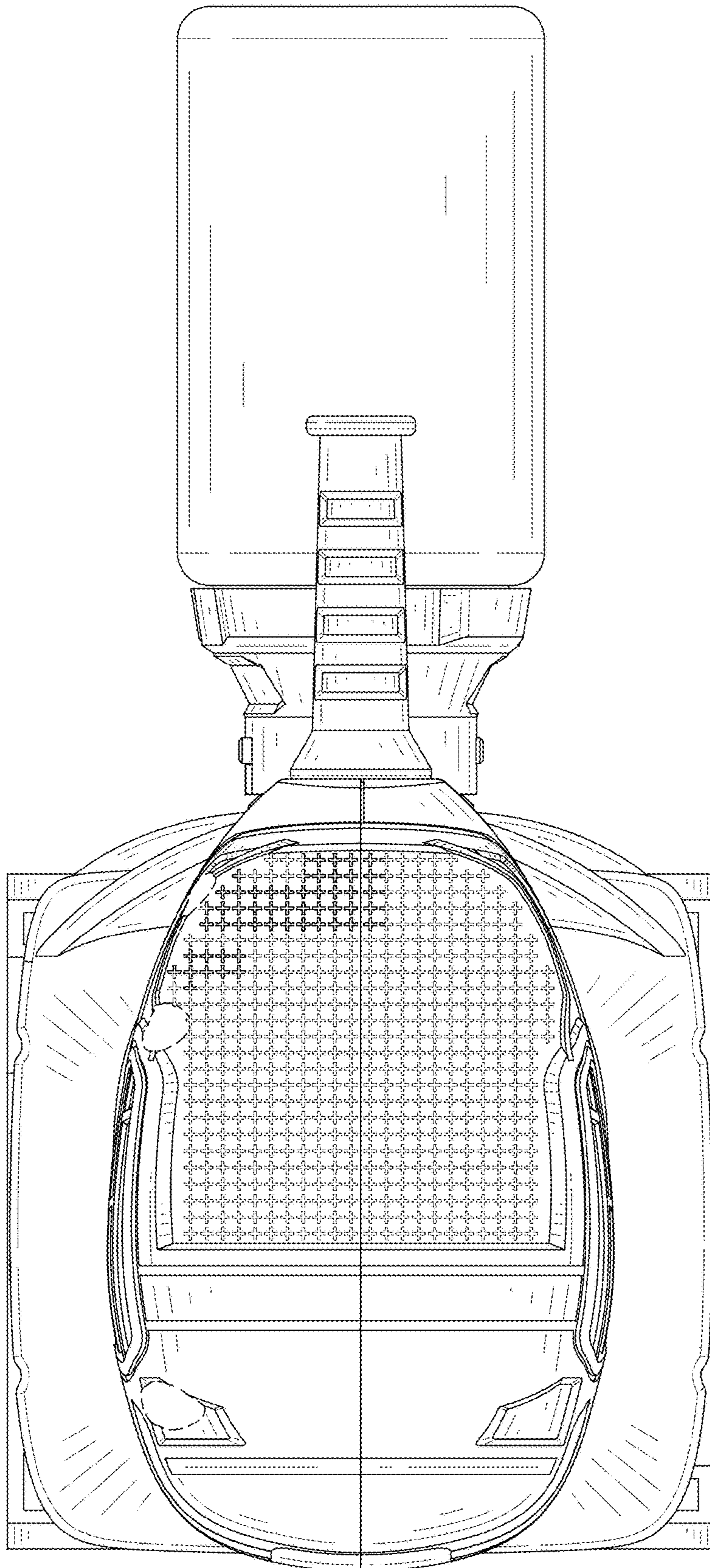


FIG. 7



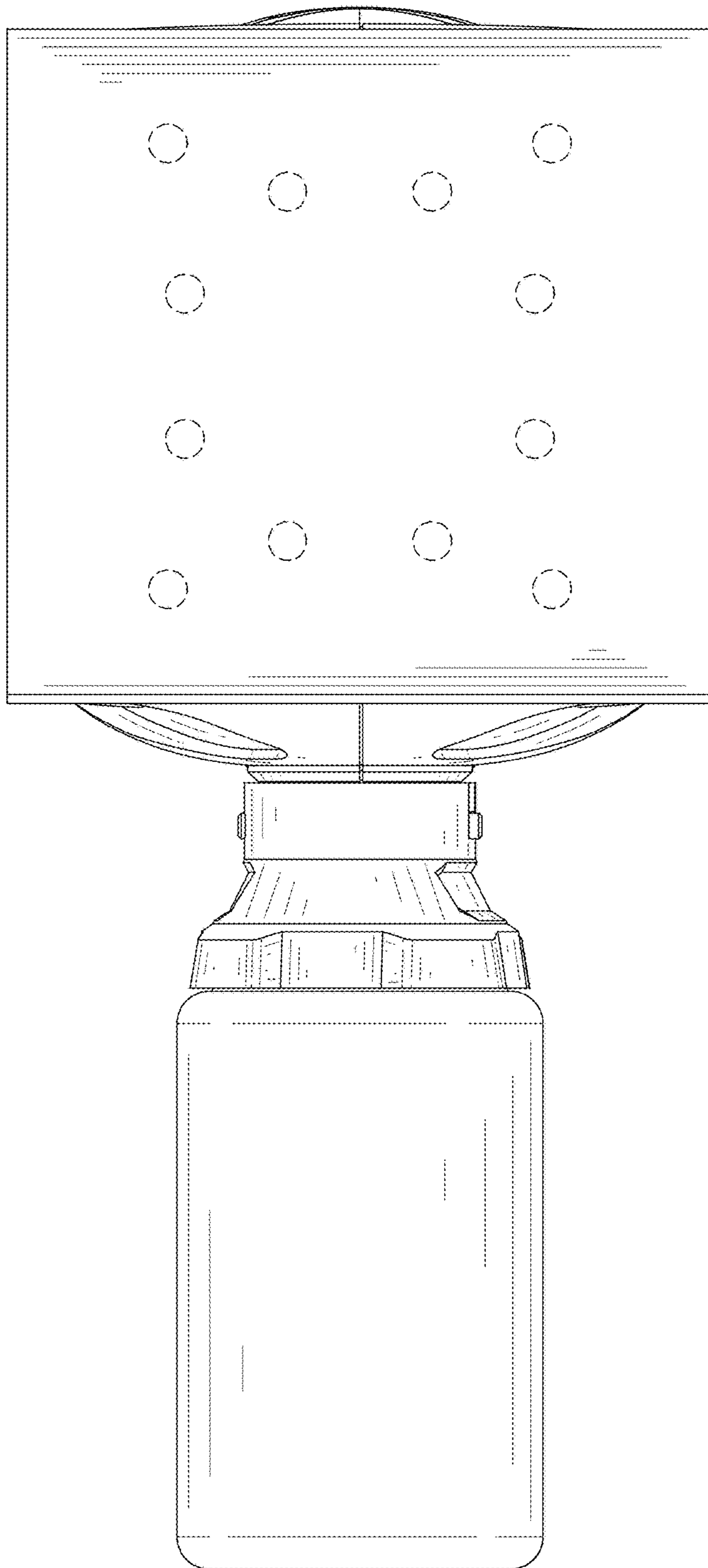


FIG. 8

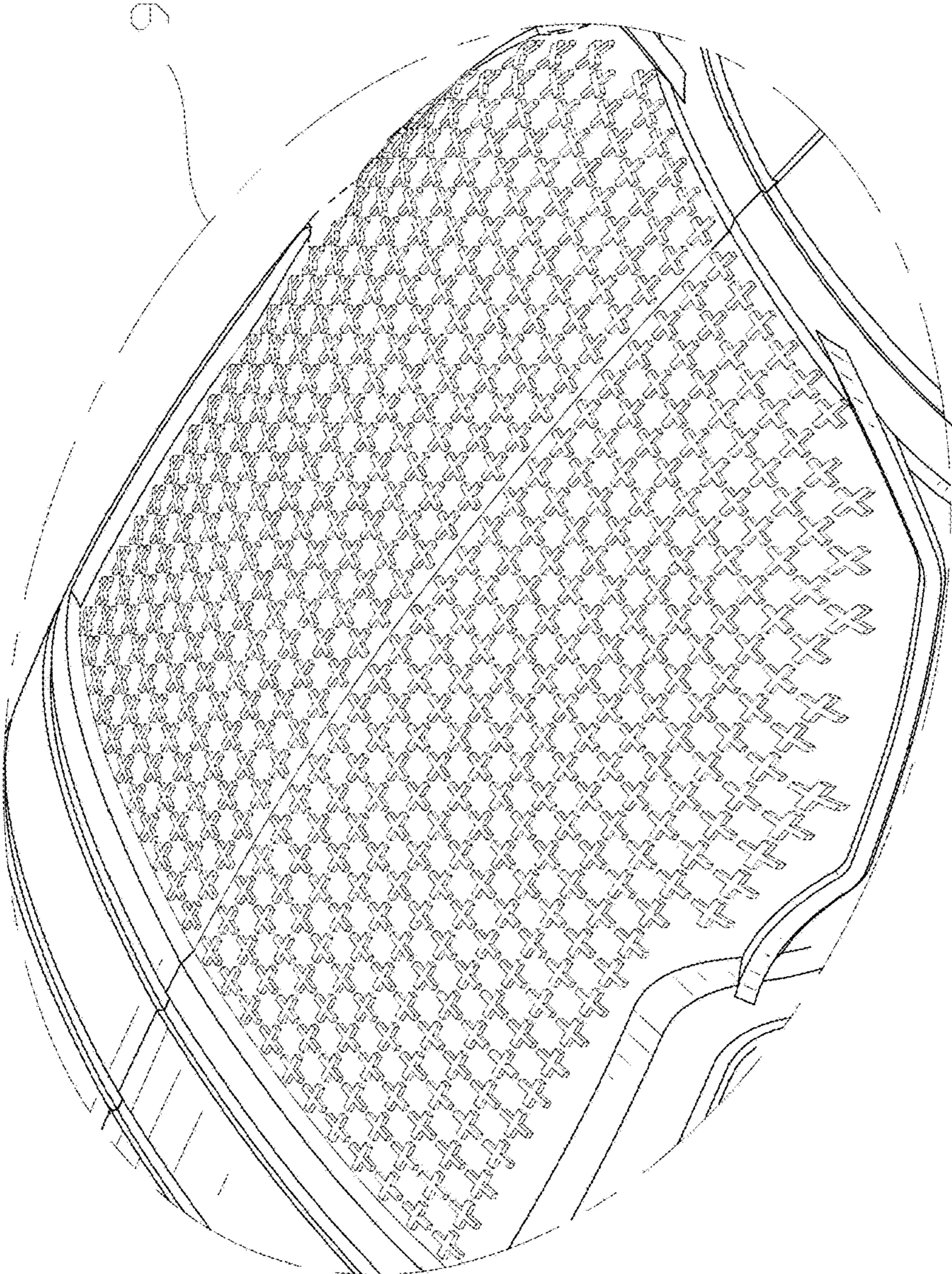


FIG. 9

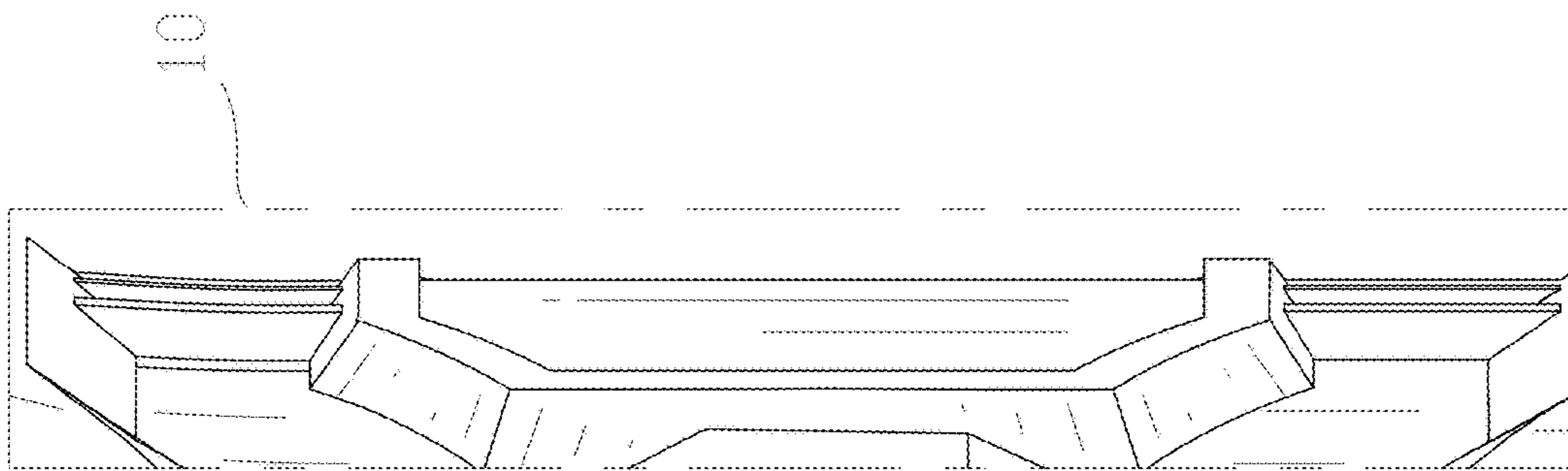


FIG. 10