



US00D863910S

(12) **United States Design Patent**
Wu

(10) **Patent No.:** **US D863,910 S**
(45) **Date of Patent:** **** Oct. 22, 2019**

(54) **HAND-HELD TOOL**

(71) Applicant: **Pro-Iroda Industries, Inc.**, Taichung (TW)

(72) Inventor: **Wei Cheng Wu**, Taichung (TW)

(73) Assignee: **Pro-Iroda Industries, Inc.**, Taichung (TW)

(**) Term: **15 Years**

(21) Appl. No.: **29/655,850**

(22) Filed: **Jul. 9, 2018**

(51) **LOC (12) Cl.** **08-01**

(52) **U.S. Cl.**
USPC **D8/61**

(58) **Field of Classification Search**
USPC D8/61, 62, 67, 69; 81/57, 57.11, 57.14, 81/57.26, 429, 464, 469; 173/2, 170, 173/176, 181
CPC B25B 21/02; B25B 21/008; B25B 23/16; B25B 23/1405; A61B 17/1615
See application file for complete search history.

(56) **References Cited**

U.S. PATENT DOCUMENTS

6,000,478 A * 12/1999 Hsiao B25D 11/104
173/124
D427,039 S * 6/2000 Ono D8/61
D427,040 S * 6/2000 Heun D8/61

D427,870 S * 7/2000 Heun D8/61
D459,176 S * 6/2002 Duennes D8/61
D466,776 S * 12/2002 Hsiao D8/62
D529,354 S * 10/2006 Davis D8/61
D556,000 S * 11/2007 Singh D8/61
D618,079 S * 6/2010 Blythe D8/61
D663,180 S * 7/2012 Jerome D8/61
D677,540 S * 3/2013 Meyers D8/61
D720,196 S * 12/2014 Hsiao D8/61
D768,452 S * 10/2016 Padget D8/61

* cited by examiner

Primary Examiner — Austin Murphy

(74) *Attorney, Agent, or Firm* — Alan D. Kamrath; Mayer & Williams PC

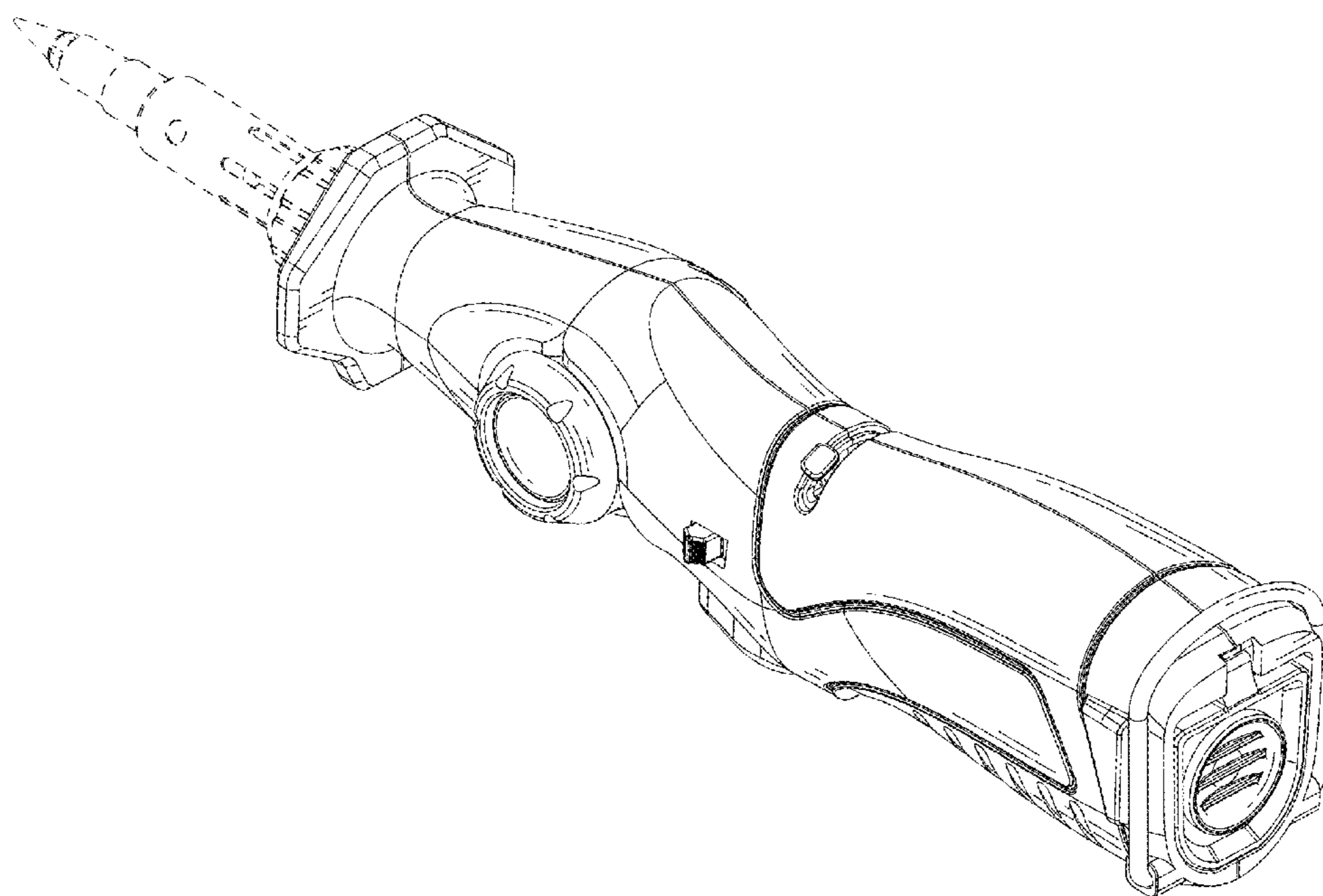
(57) **CLAIM**

The ornamental design for a hand-held tool, as shown and described.

DESCRIPTION

FIG. 1 is a perspective view of a hand-held tool showing my new design;
FIG. 2 is a front view thereof;
FIG. 3 is a rear view thereof;
FIG. 4 is a left view thereof;
FIG. 5 is a right view thereof;
FIG. 6 is a top view thereof; and,
FIG. 7 is a bottom view thereof.
The broken lines depict portions of the hand-held tool in which the design is embodied that are not considered part of the claimed design.

1 Claim, 7 Drawing Sheets



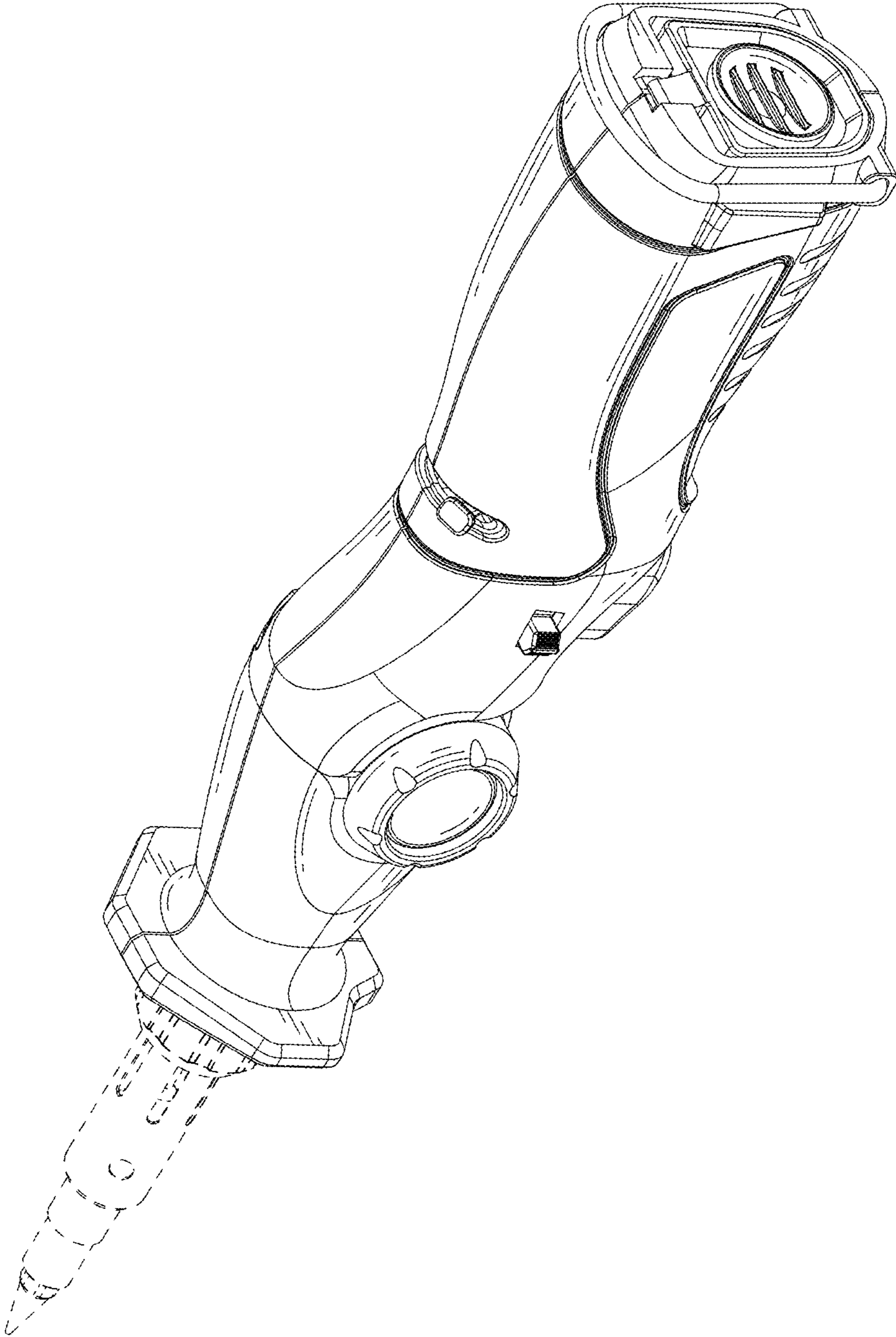


FIG. 1

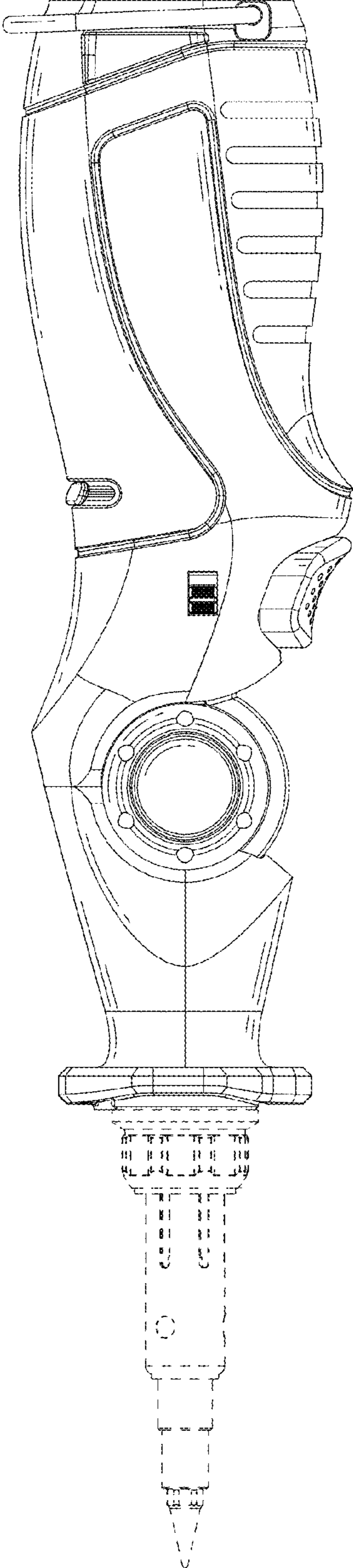


FIG. 2

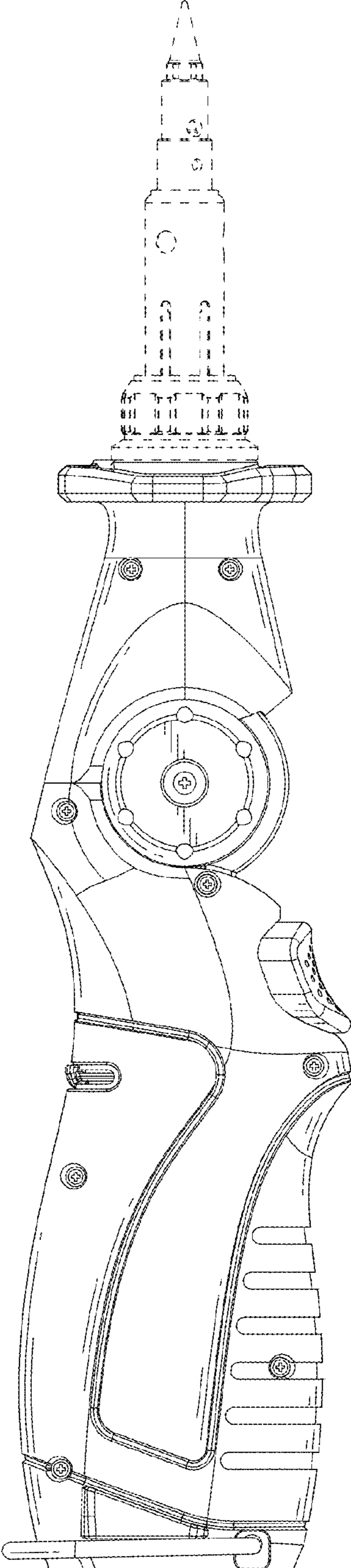


FIG. 3

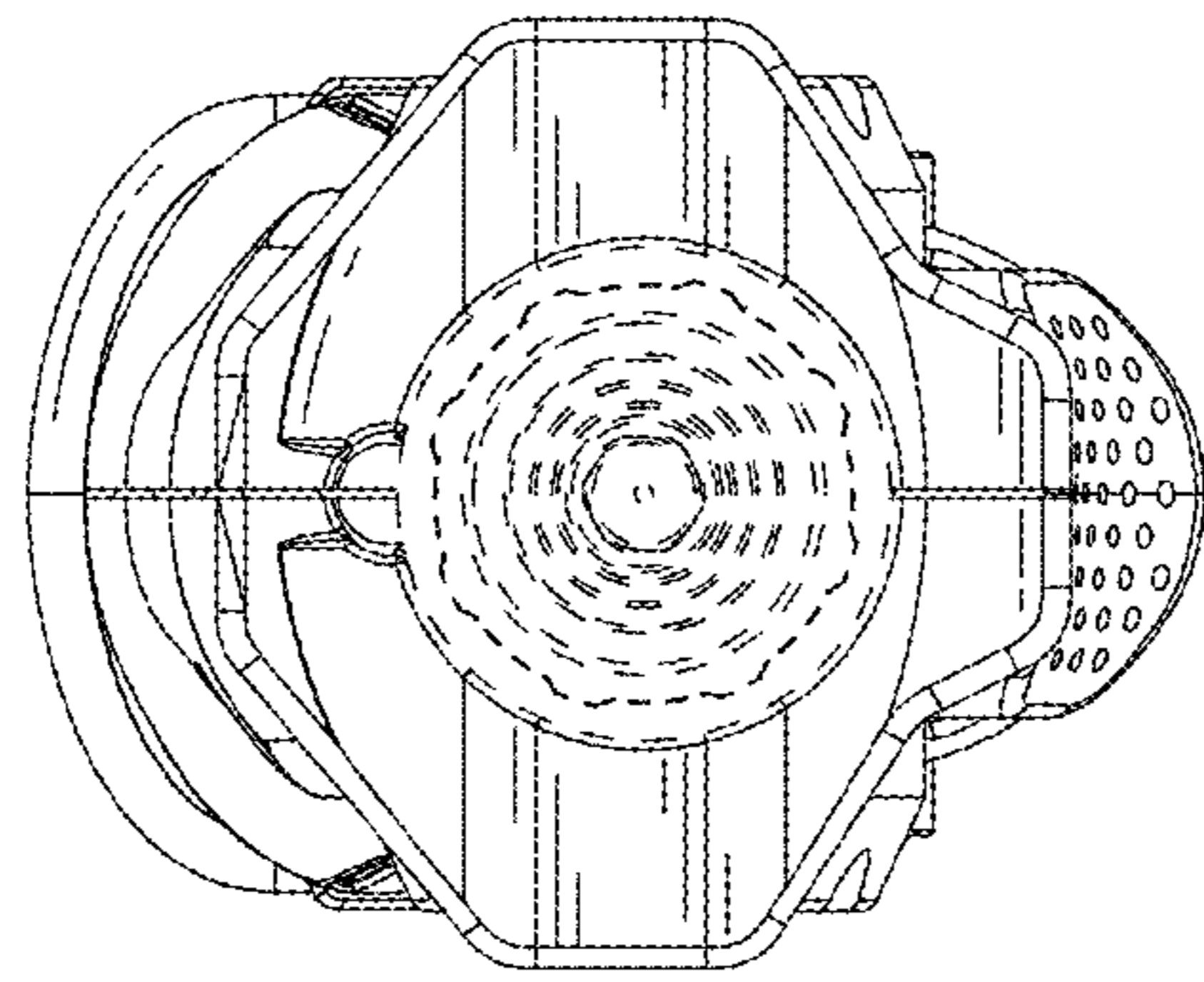


FIG. 4

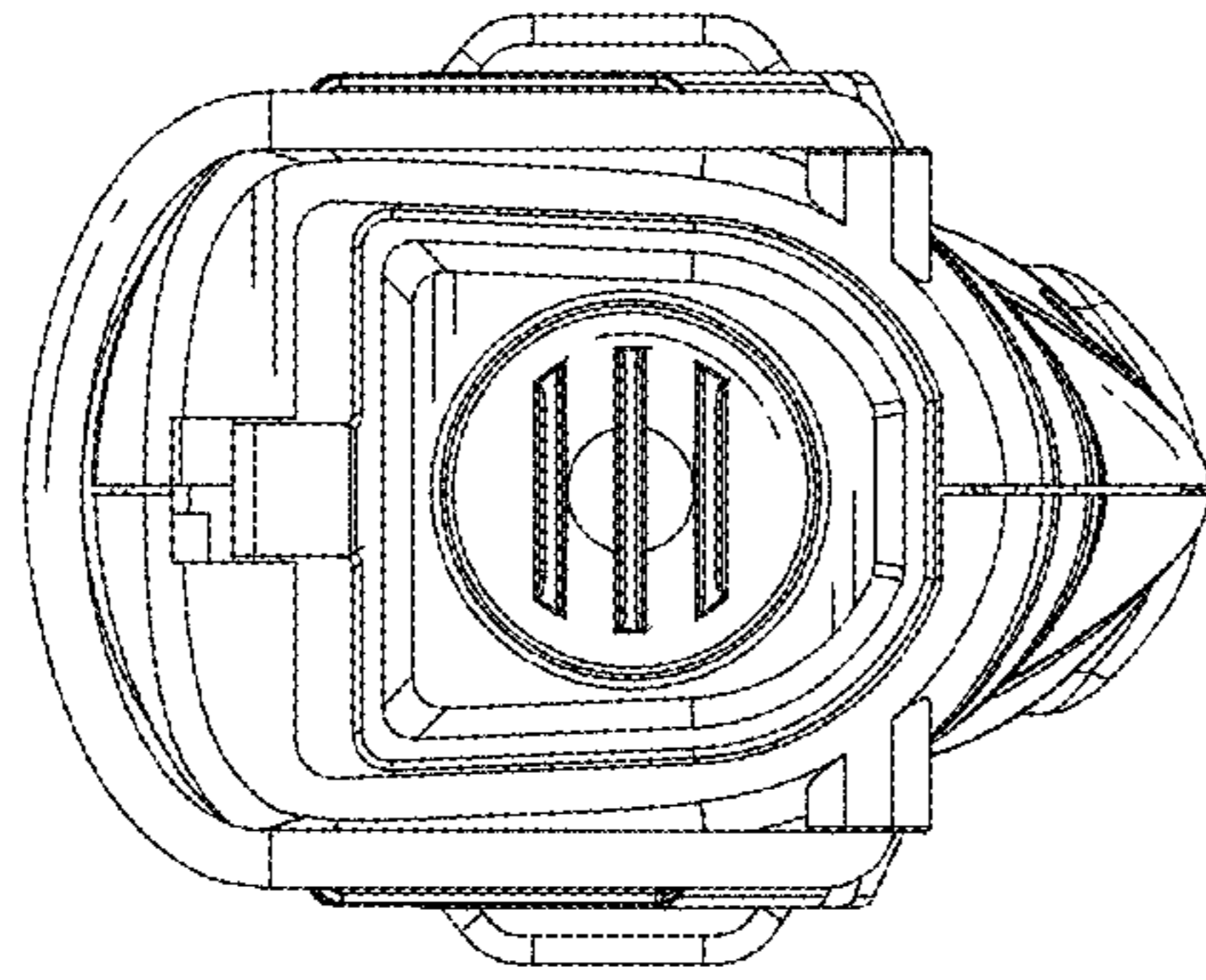


FIG. 5

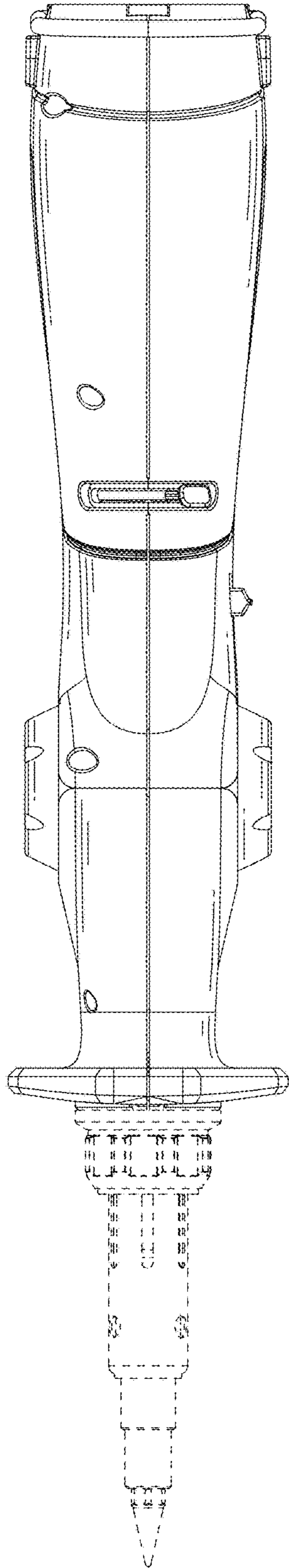


FIG. 6

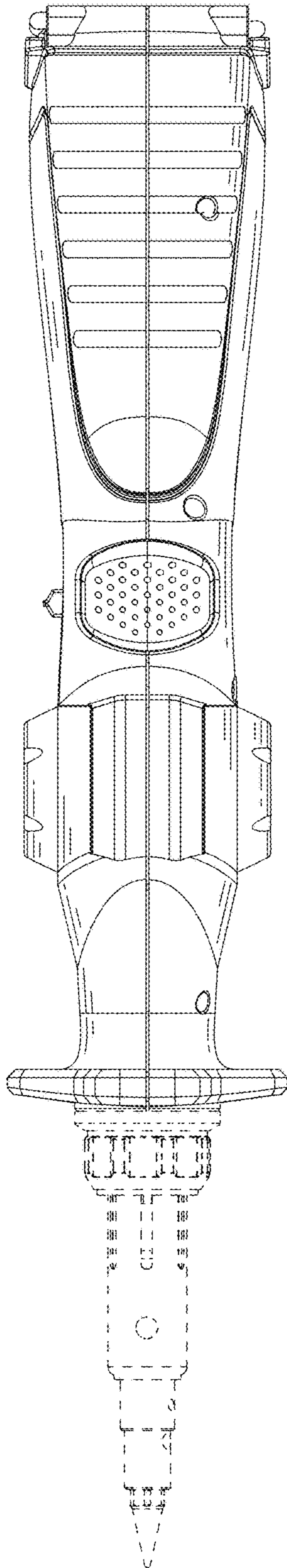


FIG. 7