



US00D863904S

(12) **United States Design Patent**  
**Owen**

(10) **Patent No.:** **US D863,904 S**

(45) **Date of Patent:** **\*\* Oct. 22, 2019**

(54) **CONNECTION MECHANISM FOR TORQUE WRENCH**

(71) Applicant: **NORBAR TORQUE TOOLS LIMITED**, Banbury, Oxfordshire (GB)

(72) Inventor: **Richard Owen**, Banbury (GB)

(73) Assignee: **NORBAR TORQUE TOOLS LIMITED**, Banbury (GB)

(\*\*) Term: **15 Years**

(21) Appl. No.: **29/655,609**

(22) Filed: **Jul. 5, 2018**

(30) **Foreign Application Priority Data**

Jan. 18, 2018 (EP) ..... 004671063-0001

(51) **LOC (12) Cl.** ..... **08-05**

(52) **U.S. Cl.**  
USPC ..... **D8/24**

(58) **Field of Classification Search**  
USPC ..... D8/21-29; 81/60, 177.1, 177.85, 121.1,  
81/124.3, 165-170, 110.1, 176.2, 124.6,  
81/176.1, 176.15, 177.2; 16/110.1;  
D15/144.1; 219/75, 227, 229, 121.16,  
219/121.18

CPC ..... B25B 13/00  
See application file for complete search history.

(56) **References Cited**

U.S. PATENT DOCUMENTS

D743,762 S \* 11/2015 Theissen ..... D8/24  
9,217,288 B1 \* 12/2015 Fiorello ..... E21B 7/008

\* cited by examiner

*Primary Examiner* — Randall H Gholson  
(74) *Attorney, Agent, or Firm* — Withrow & Terranova,  
P.L.L.C.; Vincent K. Gustafson

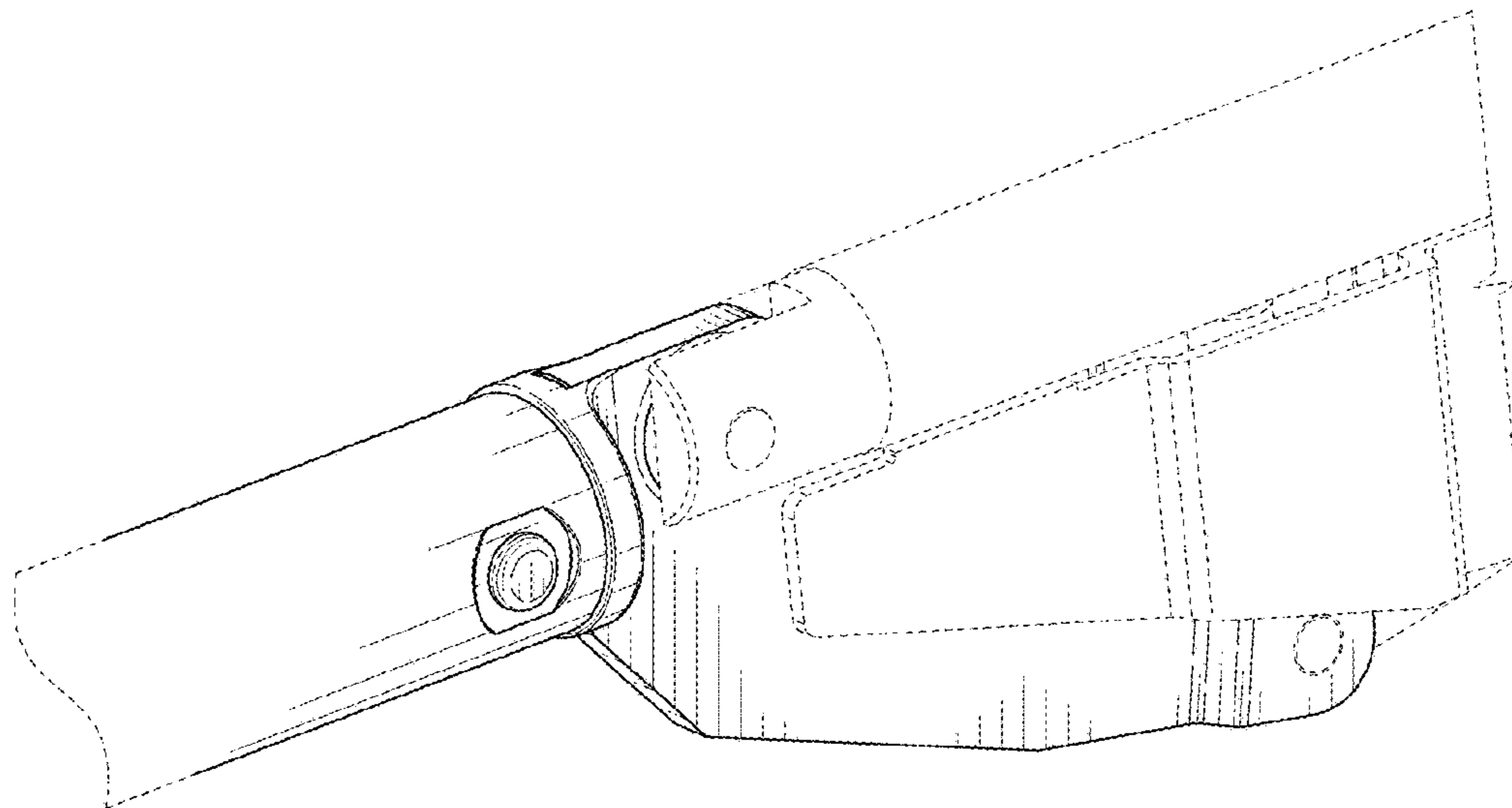
(57) **CLAIM**

The ornamental design for a connection mechanism for torque wrench, as shown and described.

**DESCRIPTION**

FIG. 1 is a perspective view of the connection mechanism for torque wrench showing the ornamental design; FIG. 2 is a front elevational view thereof; FIG. 3 is a left side elevational view thereof; FIG. 4 is a right side elevational view thereof; FIG. 5 is a top plan view thereof; and, FIG. 6 is a bottom plan view thereof. The broken-line disclosure in the views should be understood to form no part of the claimed design.

**1 Claim, 4 Drawing Sheets**



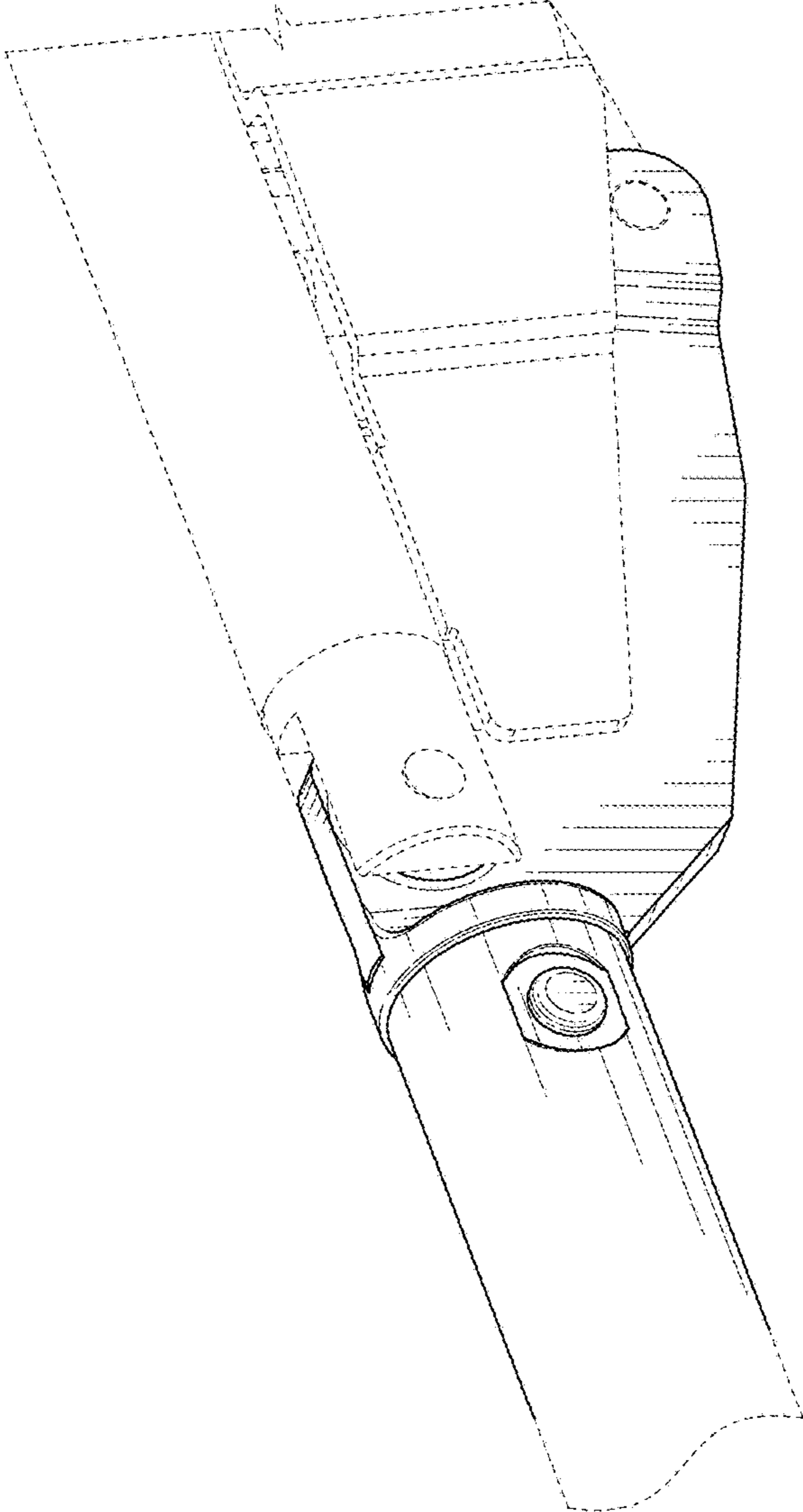


FIG. 1

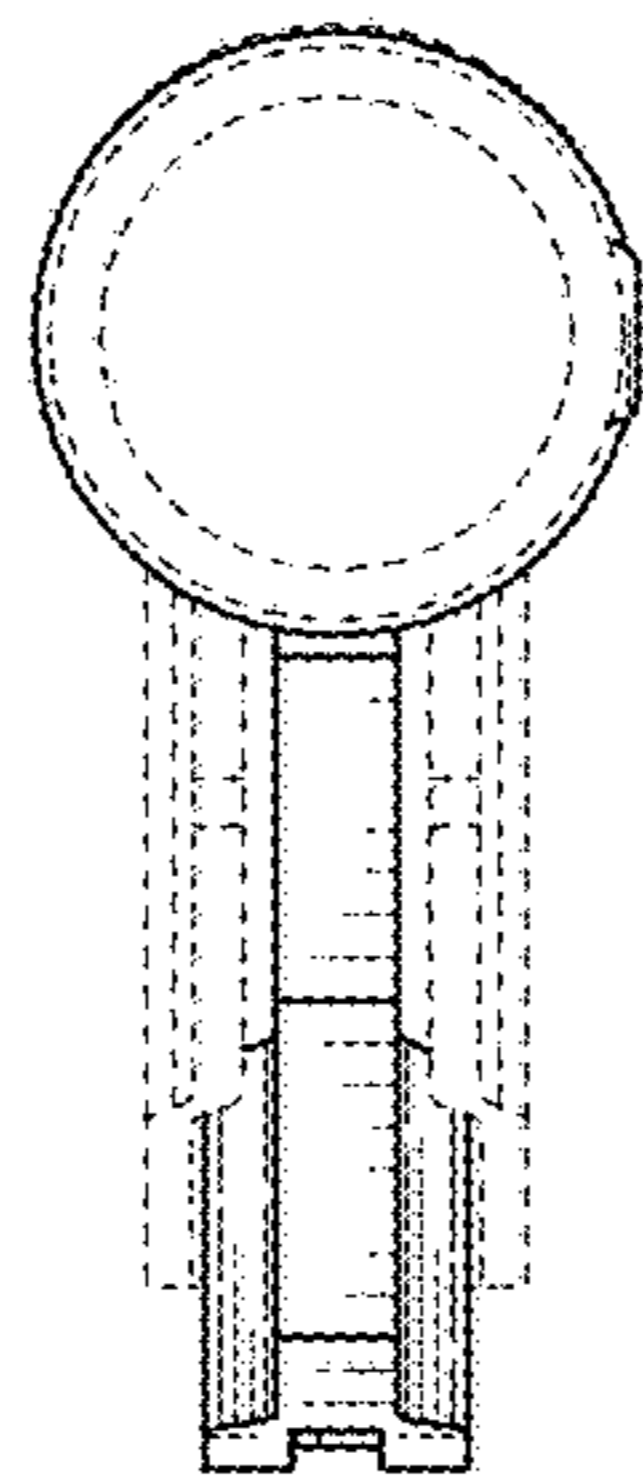


FIG. 2

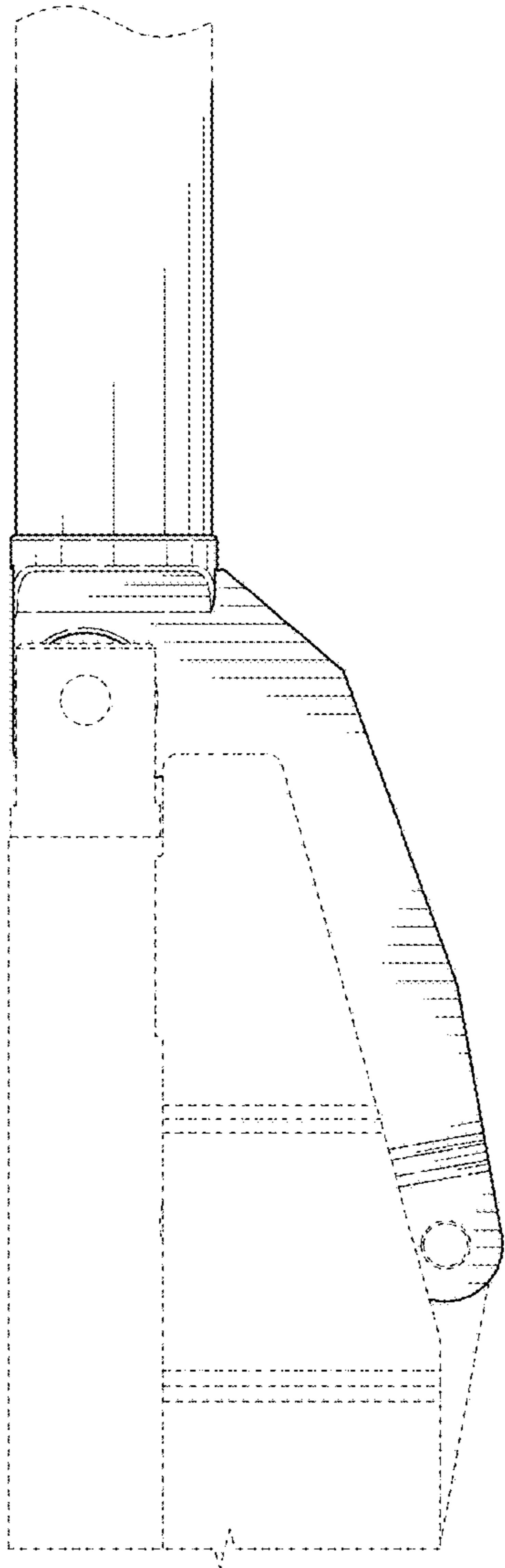


FIG. 3

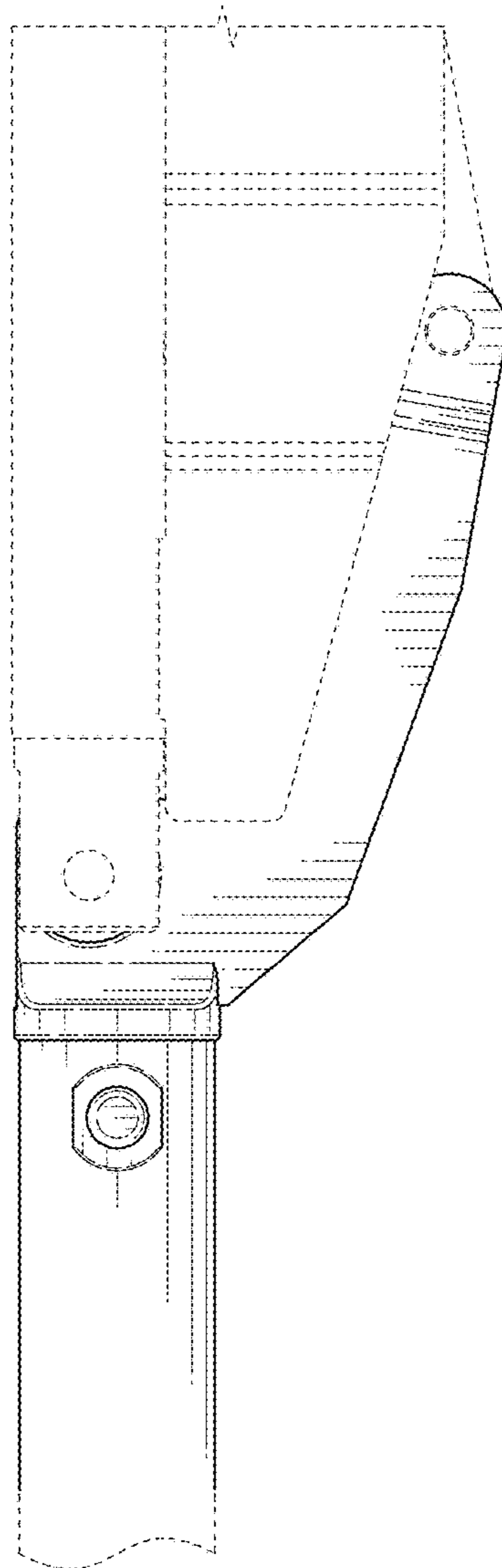


FIG. 4

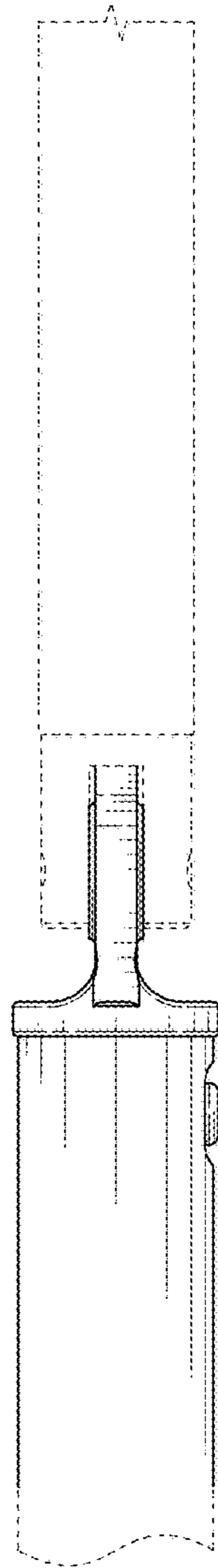


FIG. 5

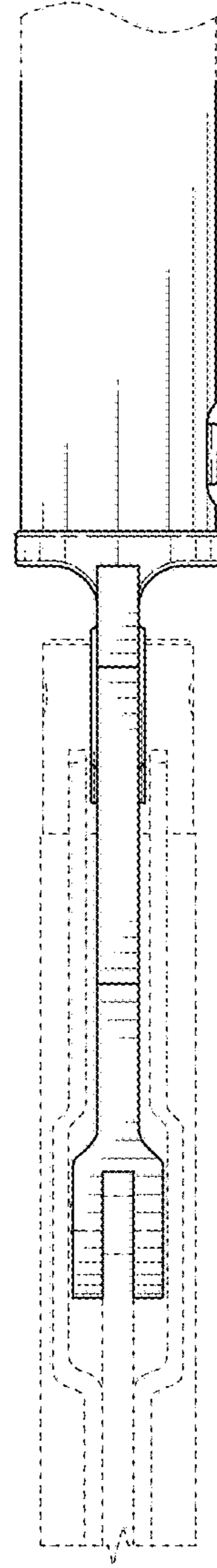


FIG. 6