



US00D863903S

(12) **United States Design Patent**
Hua et al.

(10) **Patent No.:** **US D863,903 S**

(45) **Date of Patent:** **** Oct. 22, 2019**

(54) **SHOVEL HANDLE**

(71) Applicant: **CIXI HUAZHJIE PLASTIC
PRODUCT CO., LTD., Zhejiang (CN)**

(72) Inventors: **Jie Hua, Zhejiang (CN); Shimin Hua,
Zhejiang (CN)**

(73) Assignee: **CIXI HUAZHJIE PLASTIC
PRODUCT CO., LTD., Zhejiang (CN)**

(**) Term: **15 Years**

(21) Appl. No.: **29/672,946**

(22) Filed: **Dec. 11, 2018**

(30) **Foreign Application Priority Data**

Oct. 12, 2018 (CN) 2018 3 0570573

(51) **LOC (12) Cl.** **08-01**

(52) **U.S. Cl.**
USPC **D8/10; D8/107**

(58) **Field of Classification Search**
USPC D8/6, 10, 107, 300; D21/532
CPC A01B 1/02; A01B 1/022; A01B 1/026;
A01B 1/20; A01B 1/22; B25G 1/00;
B25G 1/04; B25G 1/102; E01H 5/02;
E01H 5/00; A01D 34/416; A01D 7/08
See application file for complete search history.

(56) **References Cited**

U.S. PATENT DOCUMENTS

D374,381 S * 10/1996 Meisner D8/8
D398,818 S * 9/1998 Tisbo D8/8

D548,550 S * 8/2007 Yeh D8/10
D557,101 S * 12/2007 Grishaber D8/107
D622,113 S * 8/2010 Boies D8/10
8,181,436 B1 * 5/2012 McMillan A01D 7/08
16/426
D664,020 S * 7/2012 Kopp D8/107
D706,594 S * 6/2014 Workman D8/10
D711,209 S * 8/2014 Fischer B25G 1/102
D8/300
D764,889 S * 8/2016 Merten D8/107
D841,414 S * 2/2019 French D8/10
2013/0047802 A1 * 2/2013 Vierck A01D 34/416
81/489
2018/0087229 A1 * 3/2018 French E01H 5/02

* cited by examiner

Primary Examiner — Lilyana Bekic

Assistant Examiner — Ieisha N Price

(74) *Attorney, Agent, or Firm* — JCIPRNET

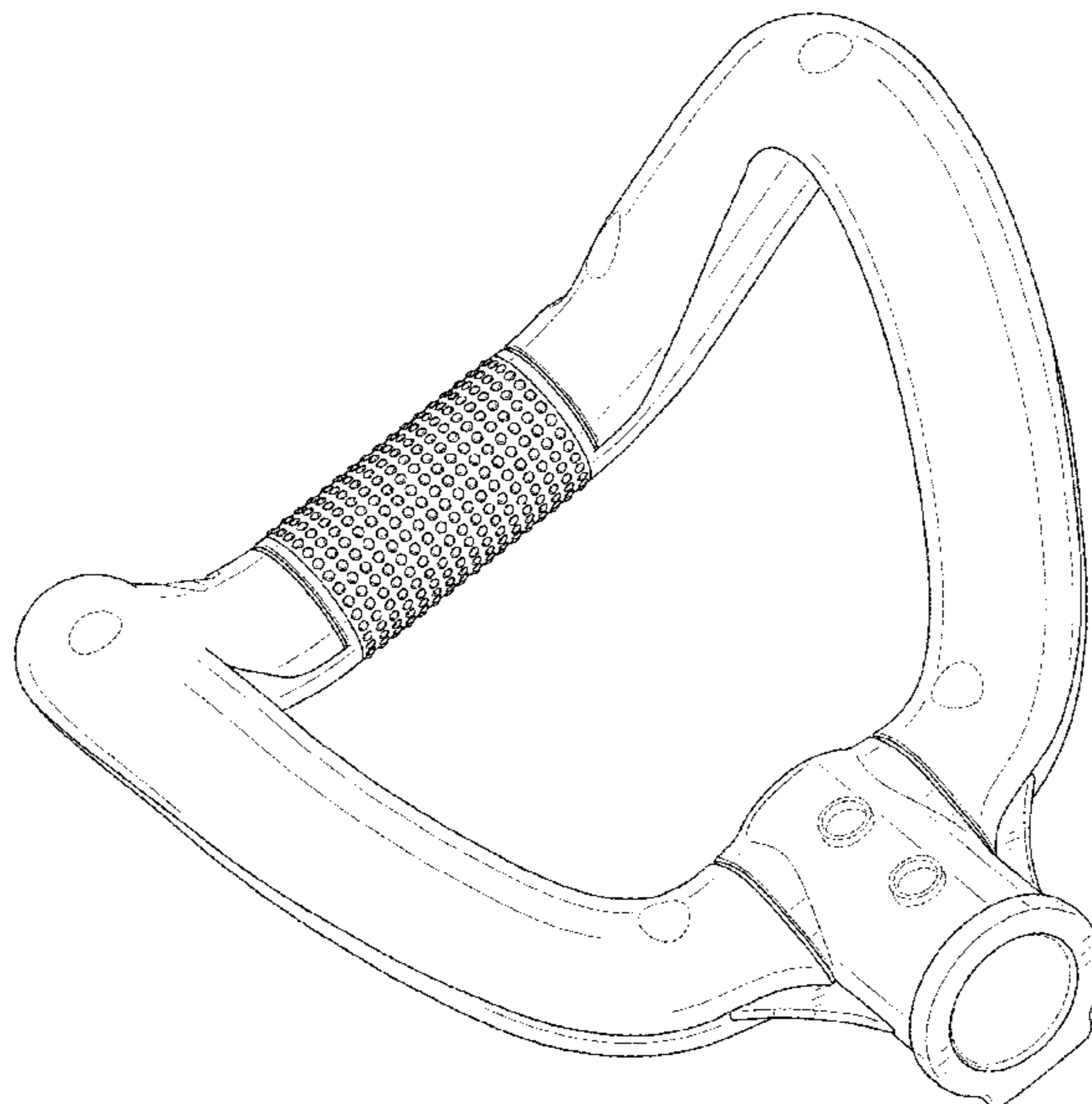
(57) **CLAIM**

The ornamental design for a shovel handle, as shown and described.

DESCRIPTION

FIG. 1 is a front perspective view of the shovel handle showing our new design;
FIG. 2 is a front view thereof;
FIG. 3 is a rear view thereof;
FIG. 4 is a left view thereof;
FIG. 5 is a right view thereof;
FIG. 6 is a top view thereof; and,
FIG. 7 is a bottom view thereof.
The broken lines in the drawings illustrate portions of the shovel handle and form no part of the claimed design.

1 Claim, 7 Drawing Sheets



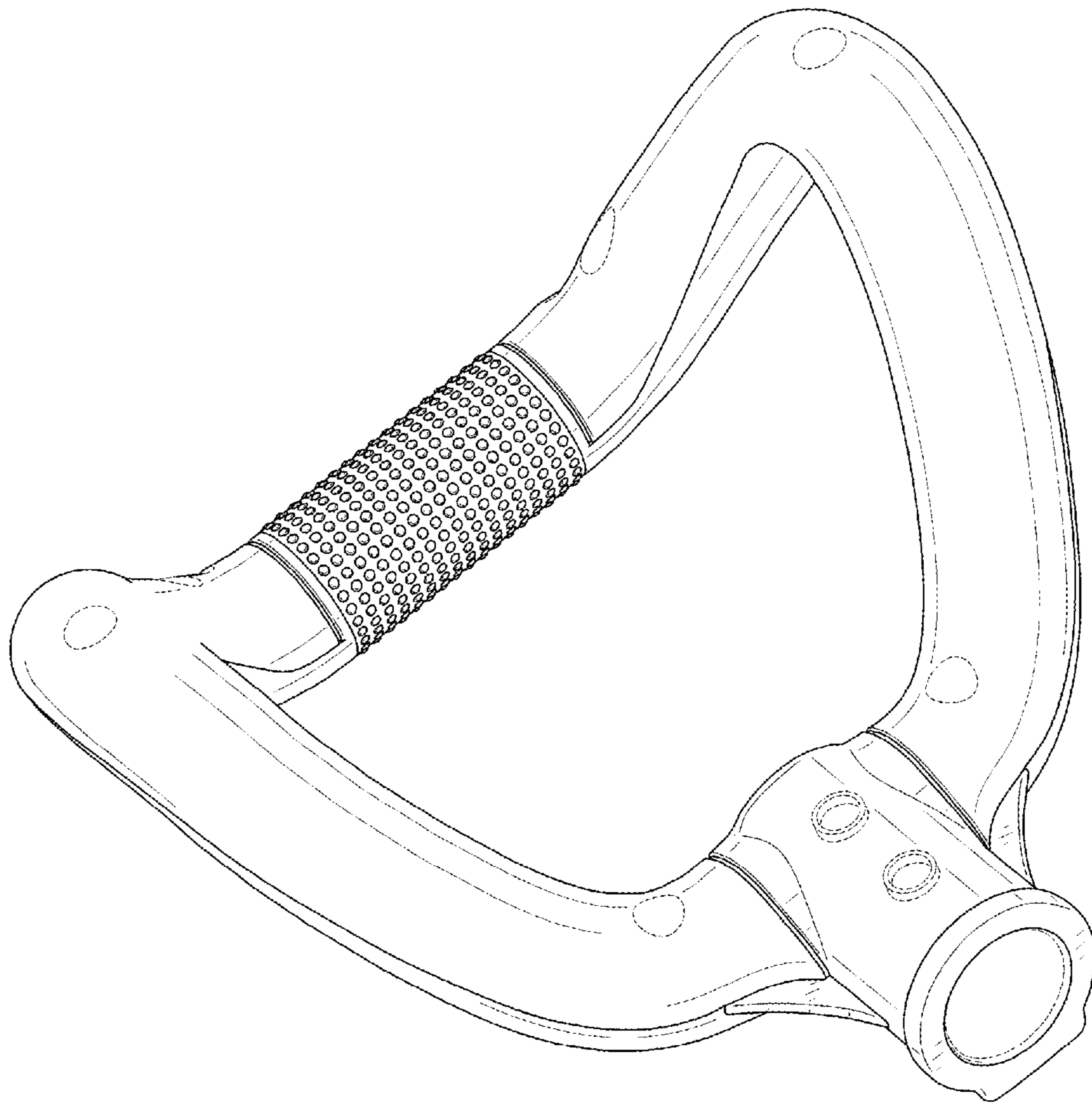


FIG. 1

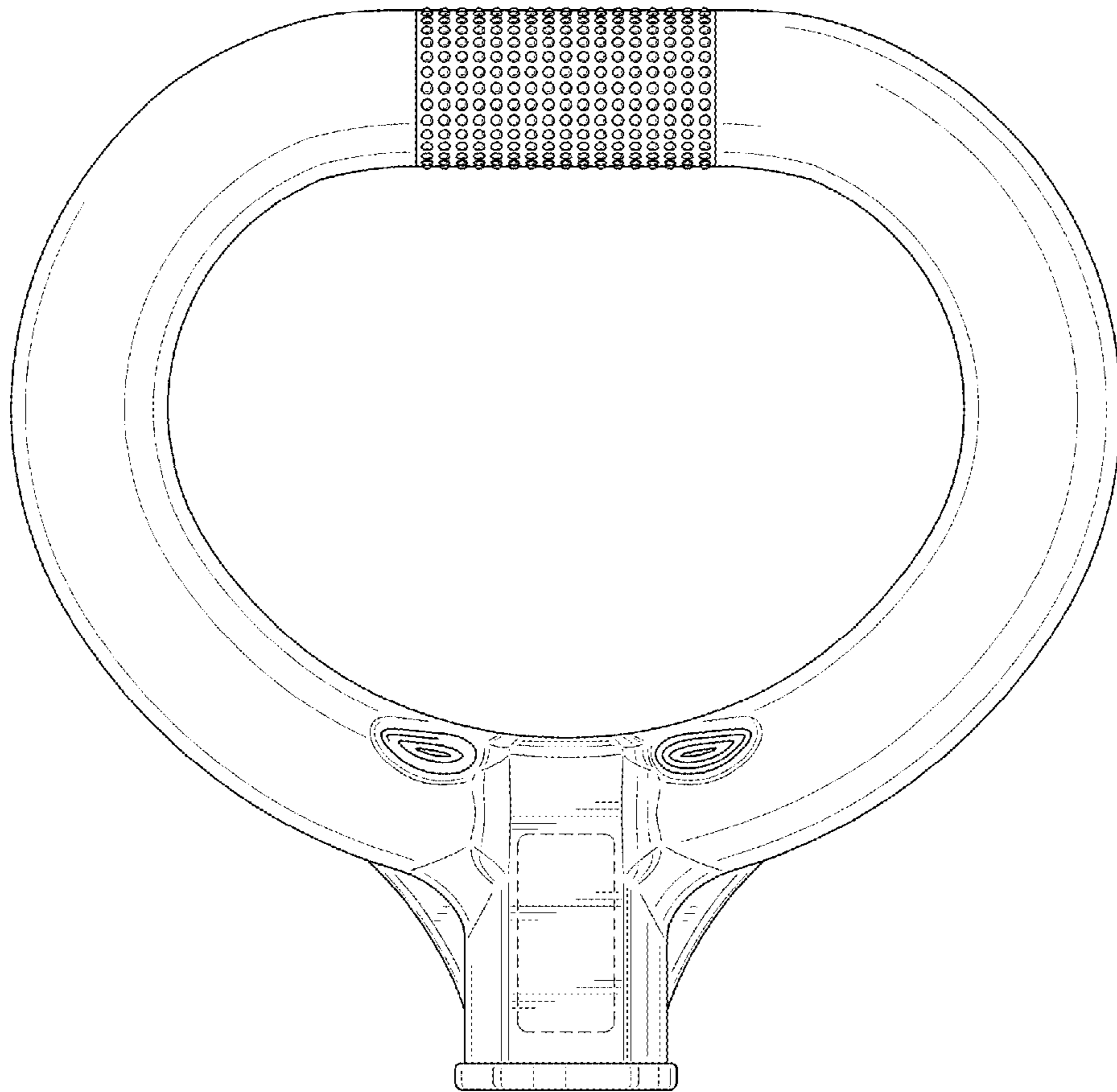


FIG. 2

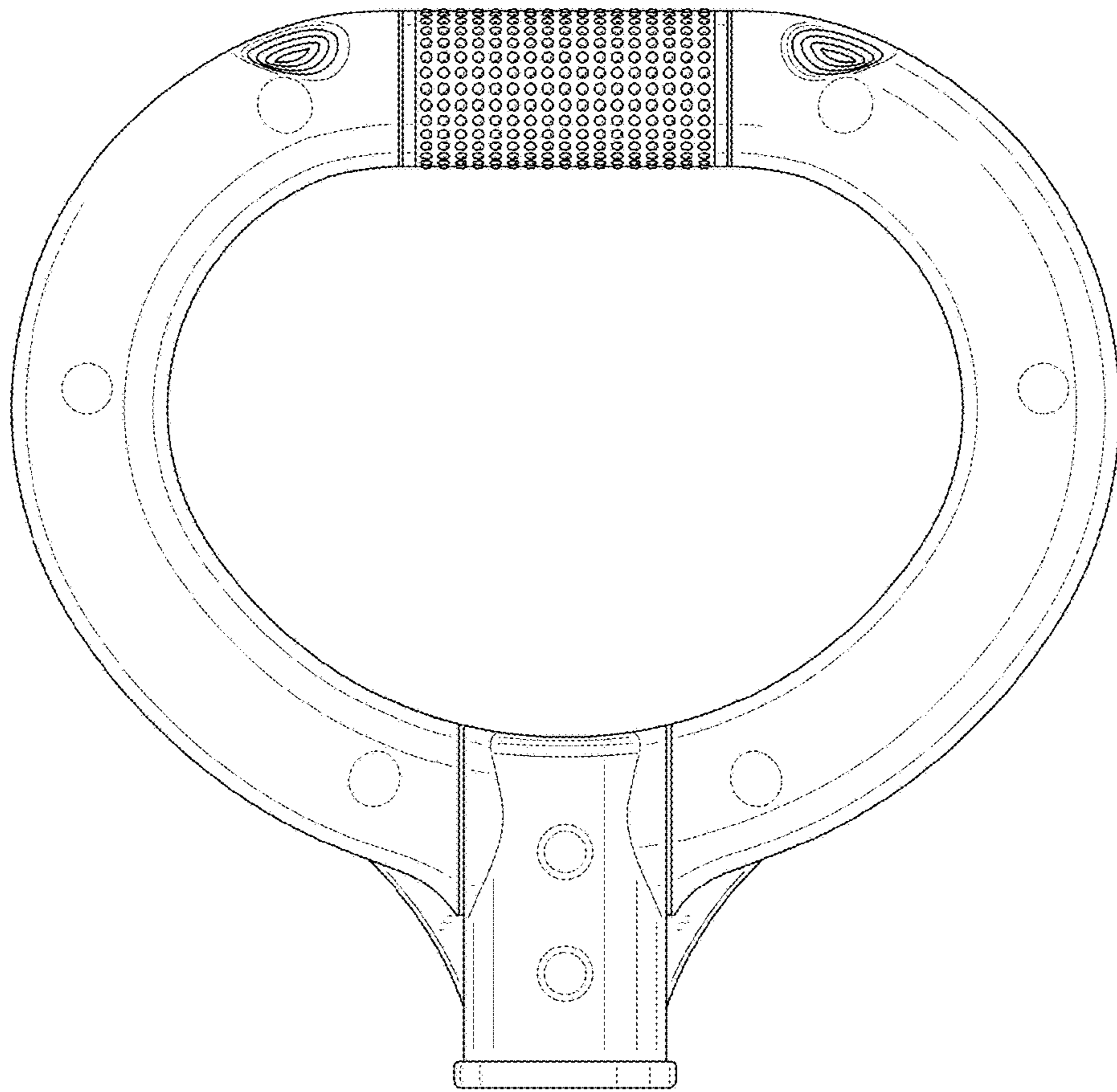


FIG. 3

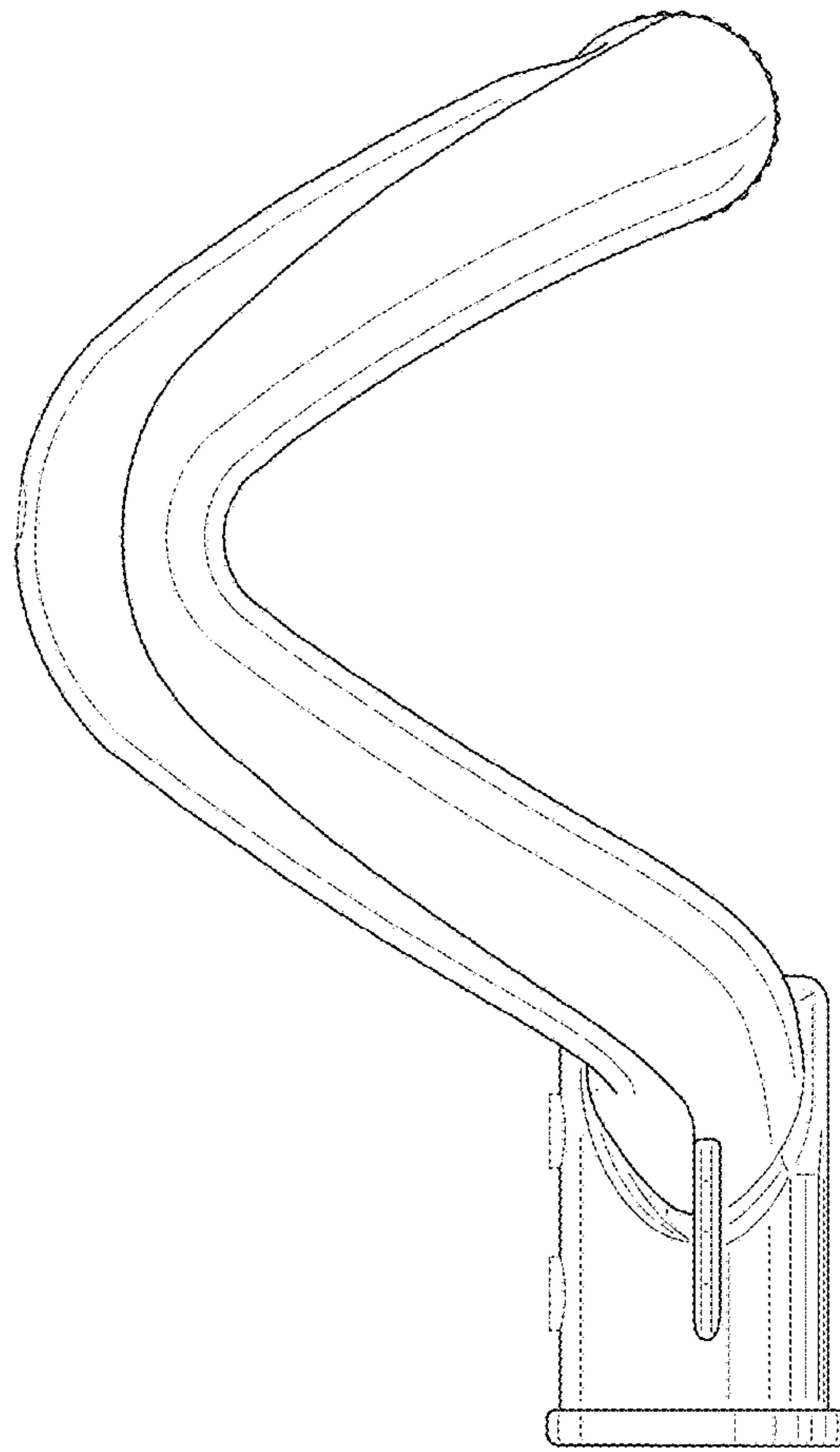


FIG. 4

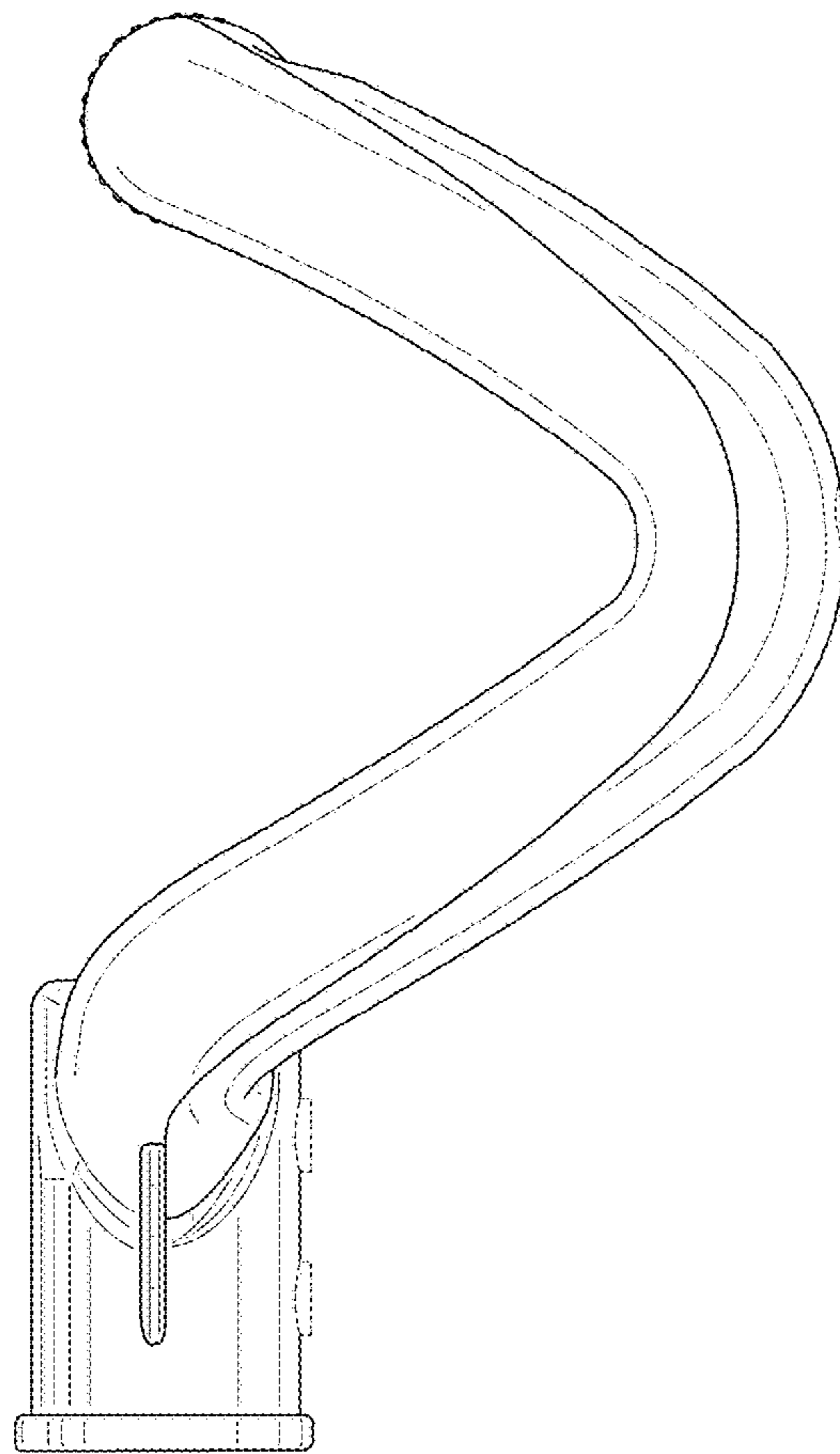


FIG. 5

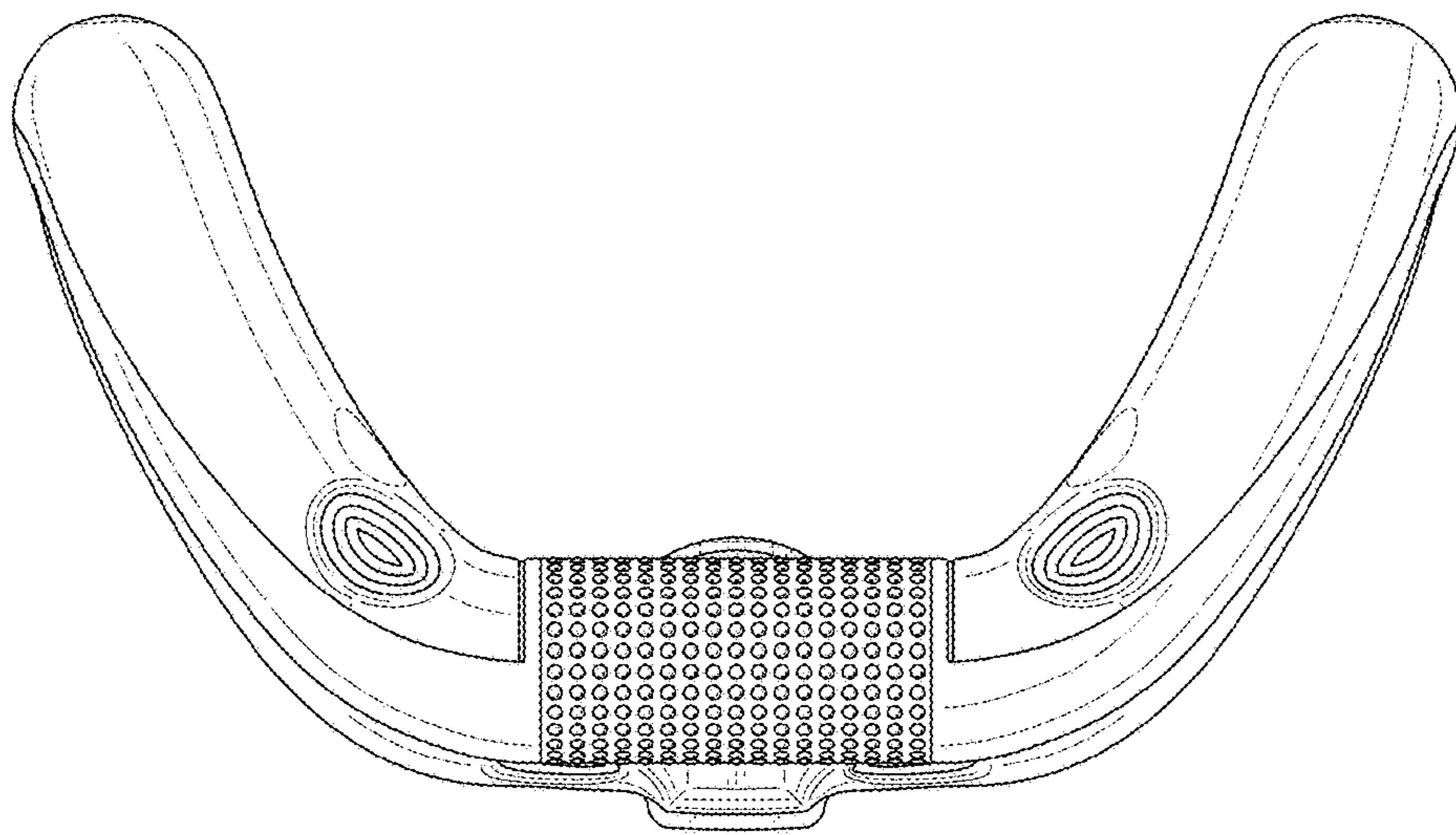


FIG. 6

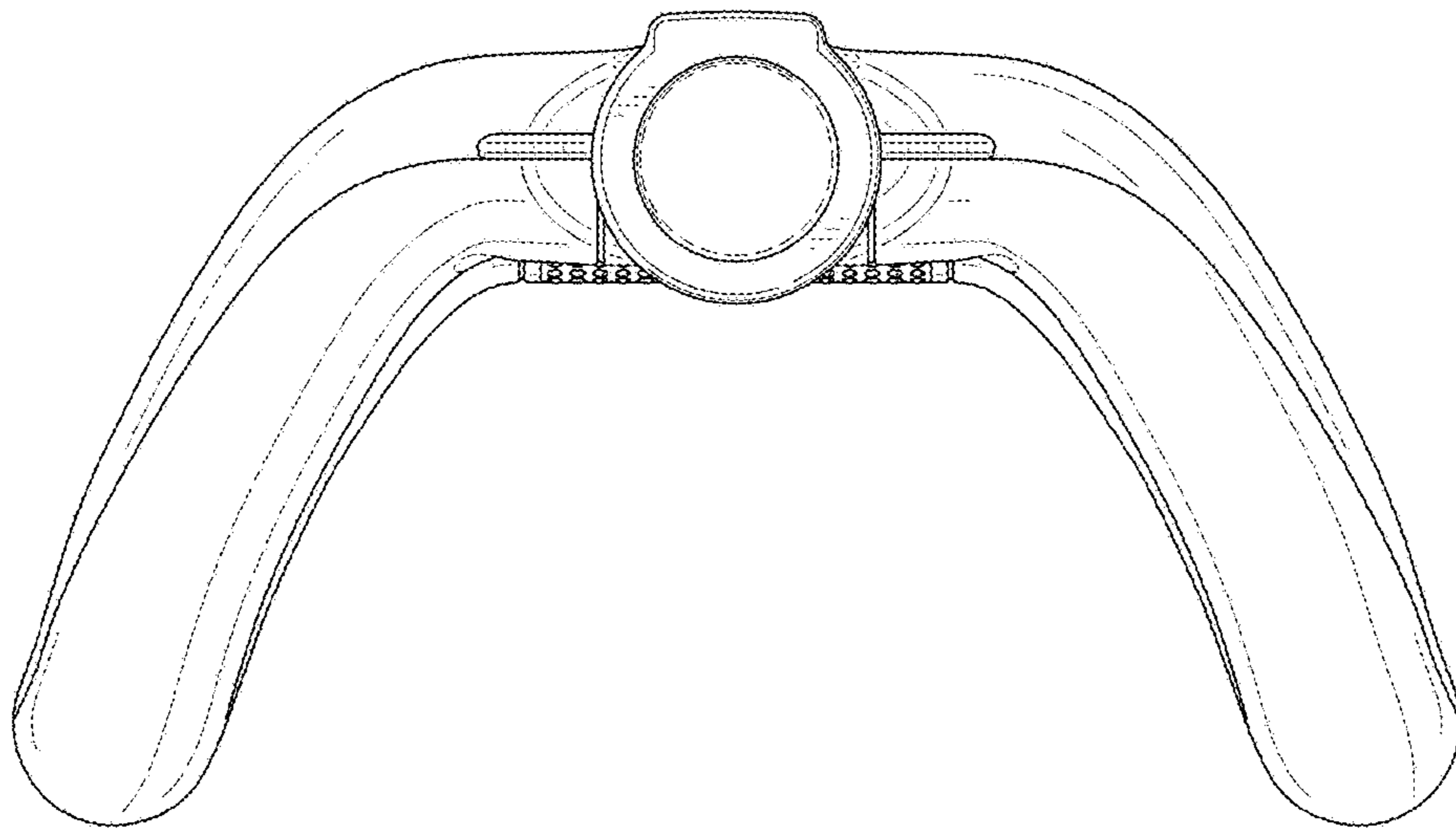


FIG. 7