

US00D863902S

(12) **United States Design Patent**
Hua et al.

(10) **Patent No.:** **US D863,902 S**
(45) **Date of Patent:** **** Oct. 22, 2019**

(54) **SHOVEL**
(71) Applicant: **CIXI HUAZHJIE PLASTIC PRODUCT CO., LTD., Zhejiang (CN)**
(72) Inventors: **Jie Hua, Zhejiang (CN); Shimin Hua, Zhejiang (CN)**
(73) Assignee: **CIXI HUAZHJIE PLASTIC PRODUCT CO., LTD., Zhejiang (CN)**
(**) Term: **15 Years**
(21) Appl. No.: **29/661,699**
(22) Filed: **Aug. 30, 2018**

(30) **Foreign Application Priority Data**
May 15, 2018 (CN) 2018 3 0219866
(51) **LOC (12) Cl.** **08-01**
(52) **U.S. Cl.**
USPC **D8/10**
(58) **Field of Classification Search**
USPC D8/6, 7, 10, 107; D21/532
CPC A01B 1/02; A01B 1/022; A01B 1/026;
A01B 1/20; A01B 1/22; A01B 15/02;
A01B 1/08; A01B 1/06; B25G 1/00;
B25G 1/01; B25G 1/04; B25G 1/102;
E01H 5/02; E01H 5/00; Y10T 16/4713;
Y10T 16/476; Y10T 16/473
See application file for complete search history.

(56) **References Cited**
U.S. PATENT DOCUMENTS
2,047,485 A * 7/1936 McBrady A01B 1/022
294/57
D267,306 S * 12/1982 Hyggen D8/10
D267,468 S * 1/1983 Simms 294/49
5,533,768 A * 7/1996 Mitchell B25G 1/01
294/54.5

5,727,831 A * 3/1998 Dritlein, Jr. A01B 1/02
294/51
D393,990 S * 5/1998 Whitehead D8/10
D393,991 S * 5/1998 Tisbo D8/10
D397,005 S * 8/1998 Whitehead D8/10
5,951,078 A * 9/1999 Whitehead E01H 5/02
294/54.5
D442,445 S * 5/2001 Morgan D8/10
6,412,843 B1 * 7/2002 Burbrink A01B 1/022
294/57
D487,680 S * 3/2004 Sickler D8/10
D565,366 S * 4/2008 Buscher D8/10
7,581,771 B2 * 9/2009 Rosine A01B 1/02
294/54.5
D626,804 S * 11/2010 Eash D8/10
D711,701 S * 8/2014 Hua D8/10

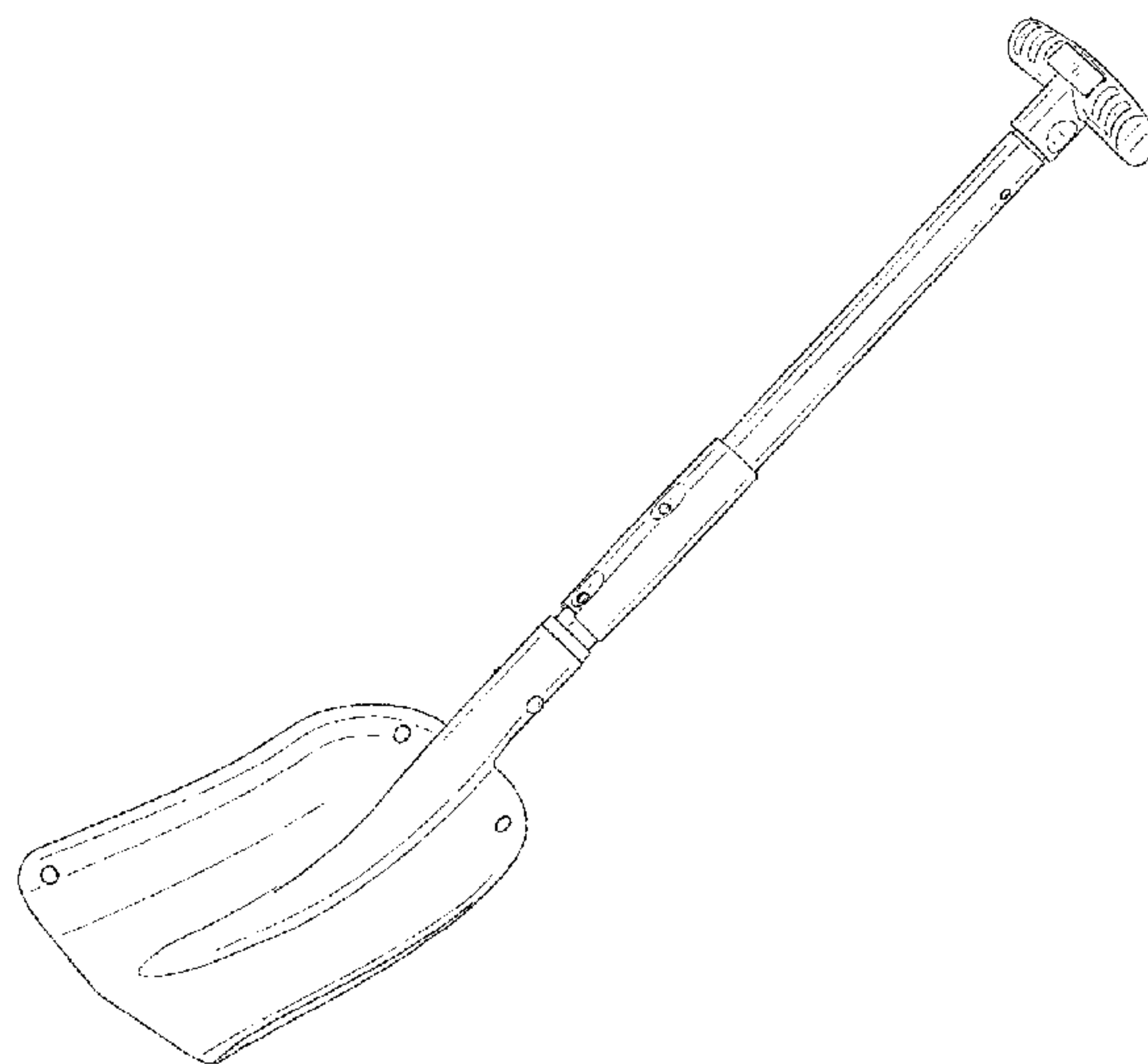
(Continued)

Primary Examiner — Sandra S Snapp
Assistant Examiner — Ieisha N Price
(74) *Attorney, Agent, or Firm* — JCIPRNET

(57) **CLAIM**
The ornamental design for a shovel, as shown and described.

DESCRIPTION
FIG. 1 is a perspective view of a shovel showing our new design;
FIG. 2 is a front view thereof;
FIG. 3 is a rear view thereof;
FIG. 4 is a left side view thereof;
FIG. 5 is a right side view thereof;
FIG. 6 is a top view thereof;
FIG. 7 is a bottom view thereof;
FIG. 8 is another perspective view thereof, showing that the rod of the shovel is extended in a first use state; and, FIG. 9 is another perspective view thereof, showing that the rod of the shovel is folded in a second use state.
The broken lines in the drawings illustrate portions of the shovel and form no part of the claimed design.

1 Claim, 8 Drawing Sheets



(56)

References Cited

U.S. PATENT DOCUMENTS

D711,702 S *	8/2014	Hua	D8/10
D711,704 S *	8/2014	Hua	D8/10
D719,417 S *	12/2014	Hua	D8/10
D766,053 S *	9/2016	Kunnas	D8/10
D766,686 S *	9/2016	Kunnas	D8/10
D786,635 S *	5/2017	Hua	D8/10
D847,591 S *	5/2019	Kopp	D8/10
D847,592 S *	5/2019	Kopp	D8/10
2007/0108782 A1 *	5/2007	Walker	A01B 1/022 294/51
2008/0129061 A1 *	6/2008	Haws	A01B 1/02 294/181
2015/0123413 A1 *	5/2015	Spataro	E01H 5/02 294/54.5

* cited by examiner

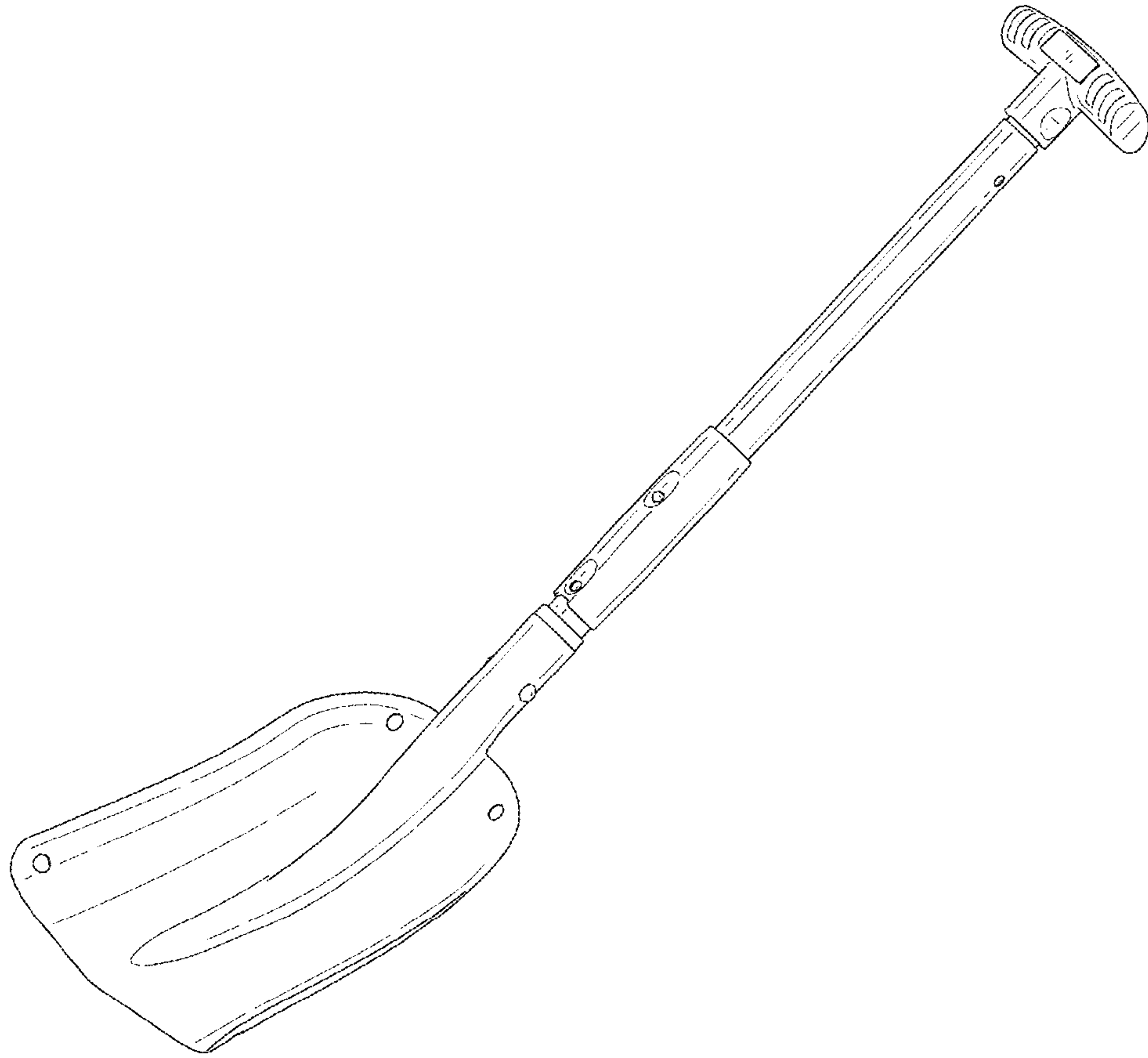


FIG. 1

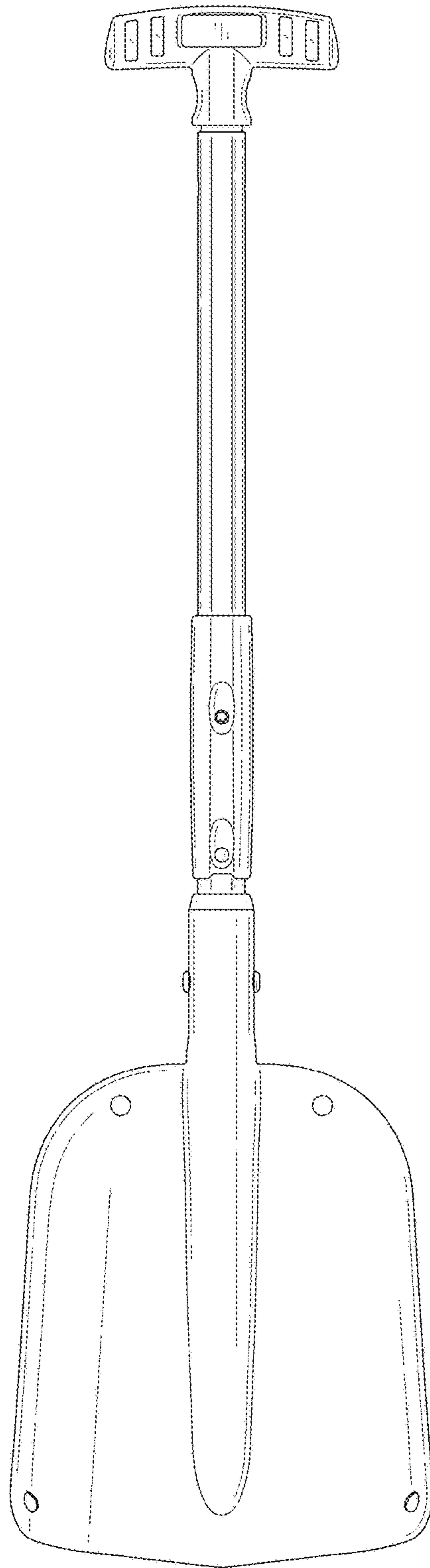


FIG. 2

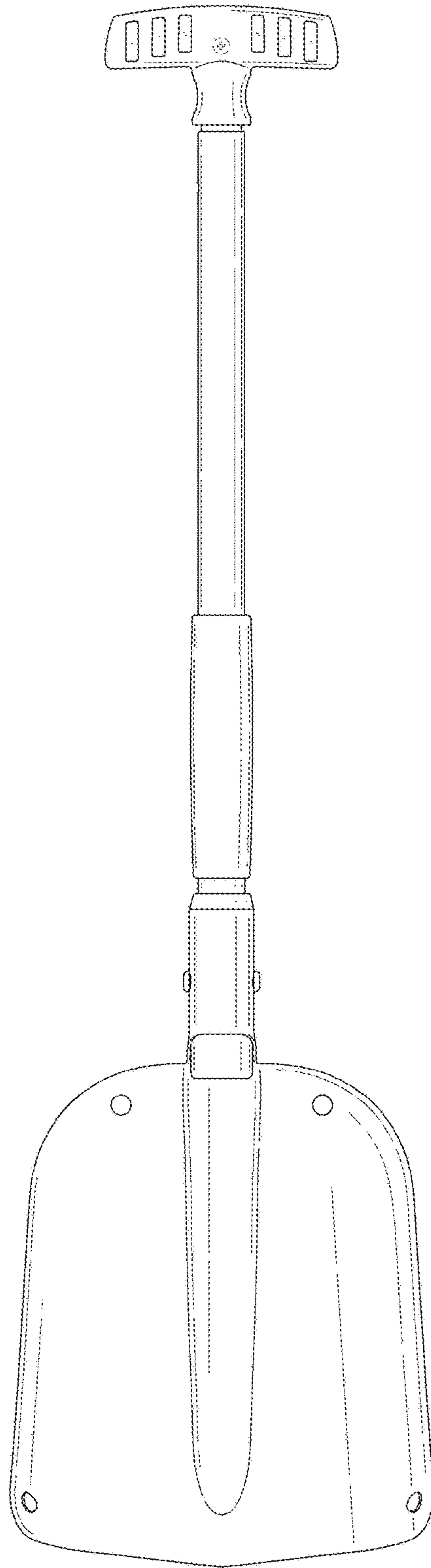


FIG. 3

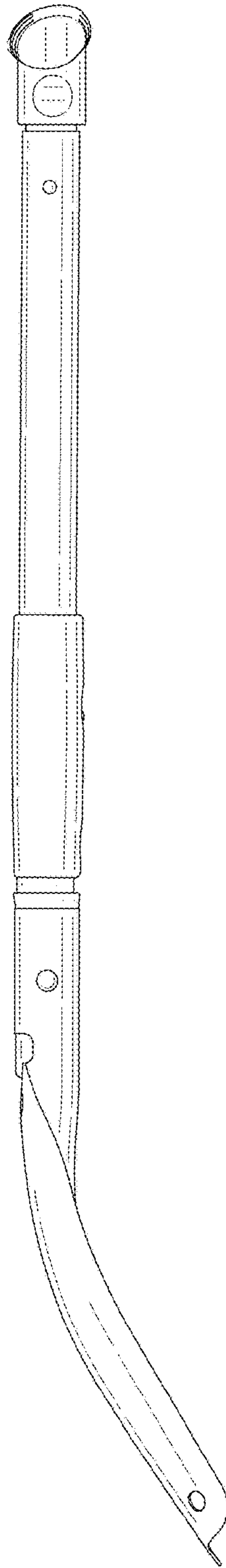


FIG. 4

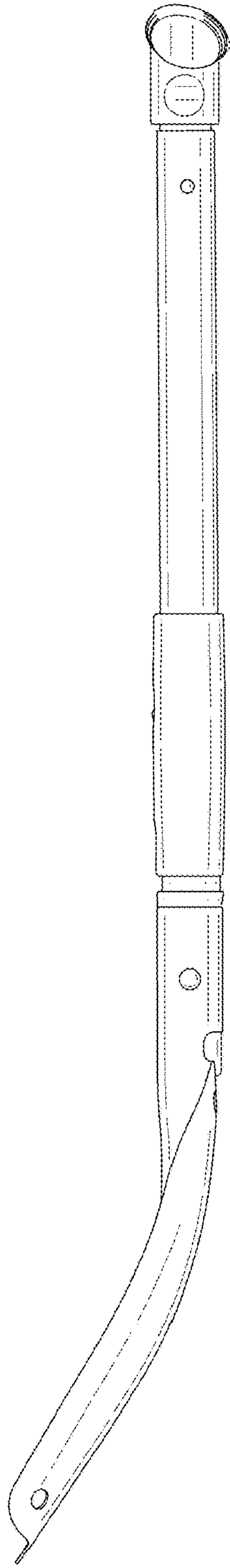


FIG. 5

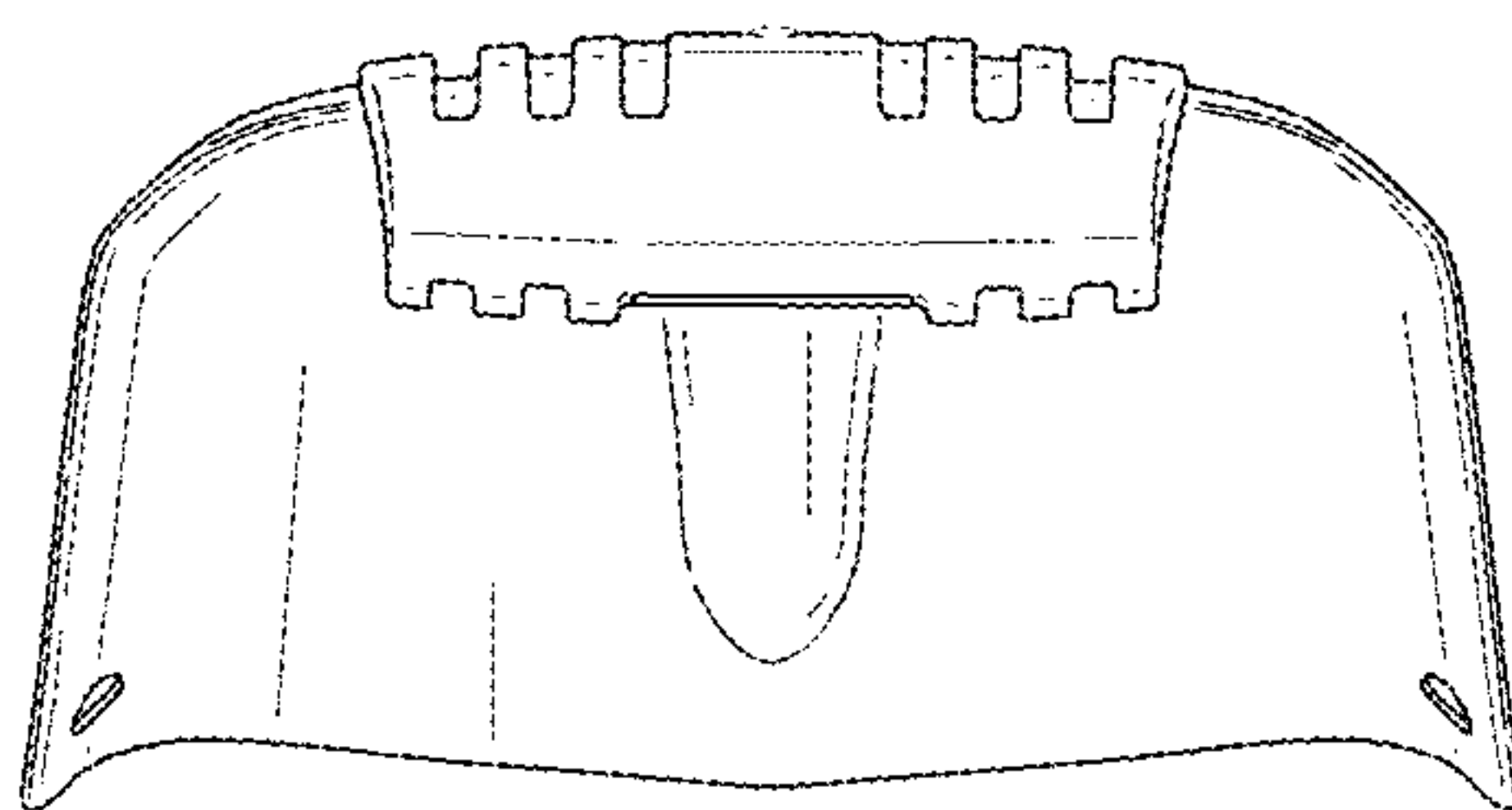


FIG. 6

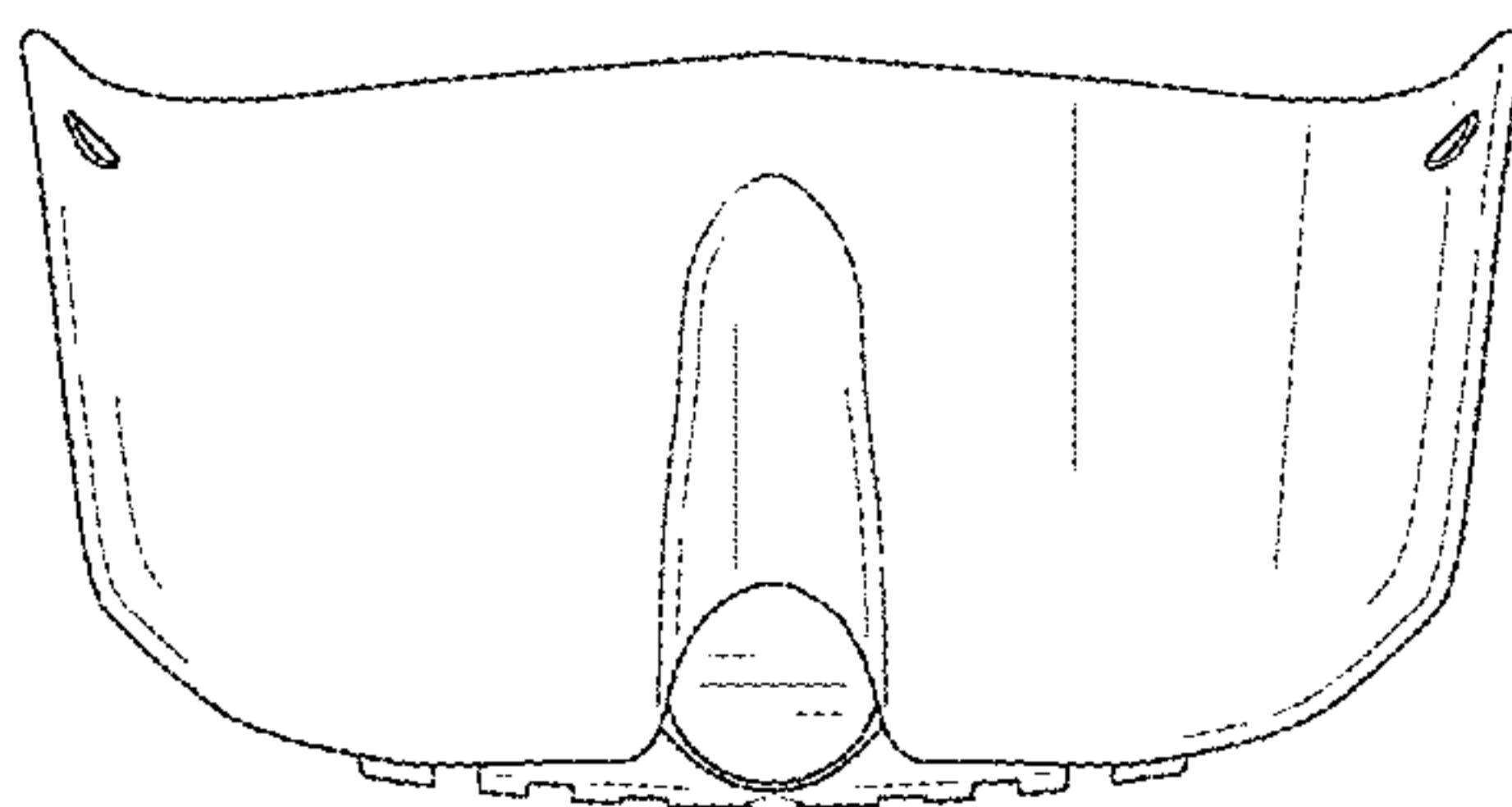


FIG. 7



FIG. 8

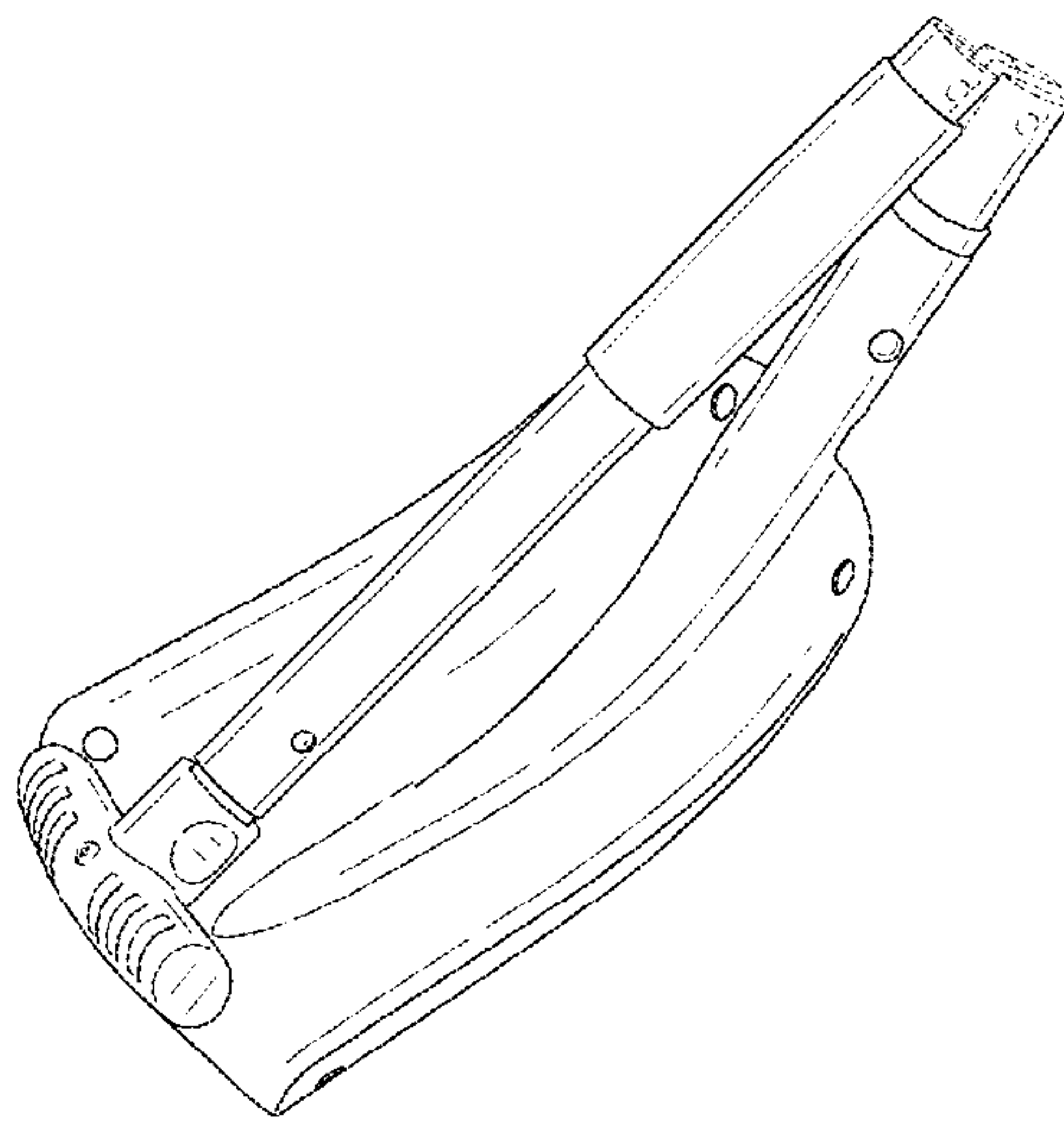


FIG. 9