



US00D863899S

(12) **United States Design Patent** (10) **Patent No.:** **US D863,899 S**
Stewart et al. (45) **Date of Patent:** **** Oct. 22, 2019**

(54) **COMBINED BUTTER HOLDER AND DISPENSER**

(71) Applicant: **Fusionbrands LLC**, West Chester, PA (US)

(72) Inventors: **Stephen Kraigh Stewart**, Pittsford, NY (US); **Debra Marie Matt**, Scottsdale, AZ (US)

(73) Assignee: **Fusionbrands LLC**, West Chester, PA (US)

(**) Term: **15 Years**

(21) Appl. No.: **29/635,691**

(22) Filed: **Feb. 1, 2018**

(51) **LOC (12) Cl.** **07-04**

(52) **U.S. Cl.**

USPC **D7/670; D7/502**

(58) **Field of Classification Search**

USPC D7/502, 504, 550.1, 553.1–553.3, 554.3, D7/629, 538, 670, 589, 517; 401/12, 82

CPC A47G 19/26; A47G 19/06; A47G 23/06; A47G 19/303; A47G 19/183; A47G 19/32; A47J 9/001

See application file for complete search history.

(56) **References Cited**

U.S. PATENT DOCUMENTS

D194,883 S *	3/1963	Mattar	D7/670
3,162,884 A *	12/1964	Bordwine	A47G 19/26
				222/386
D217,007 S *	3/1970	Smith	401/12
D315,083 S *	3/1991	Anderson	D7/670
D347,366 S *	5/1994	Harmen	D7/670
5,421,663 A *	6/1995	Bravo	A47G 19/303
				222/391
D537,344 S *	2/2007	O'Brien	D9/516

D571,166 S *	6/2008	Ben Shlomo	D7/670
7,520,406 B2 *	4/2009	Jaichandra	B65D 83/0005
				222/386
D592,513 S *	5/2009	Zach	D9/517

(Continued)

Primary Examiner — Brett Miller

(74) *Attorney, Agent, or Firm* — Mintz, Levin, Cohm, Ferris, Glovsky and Popeo, P.C.

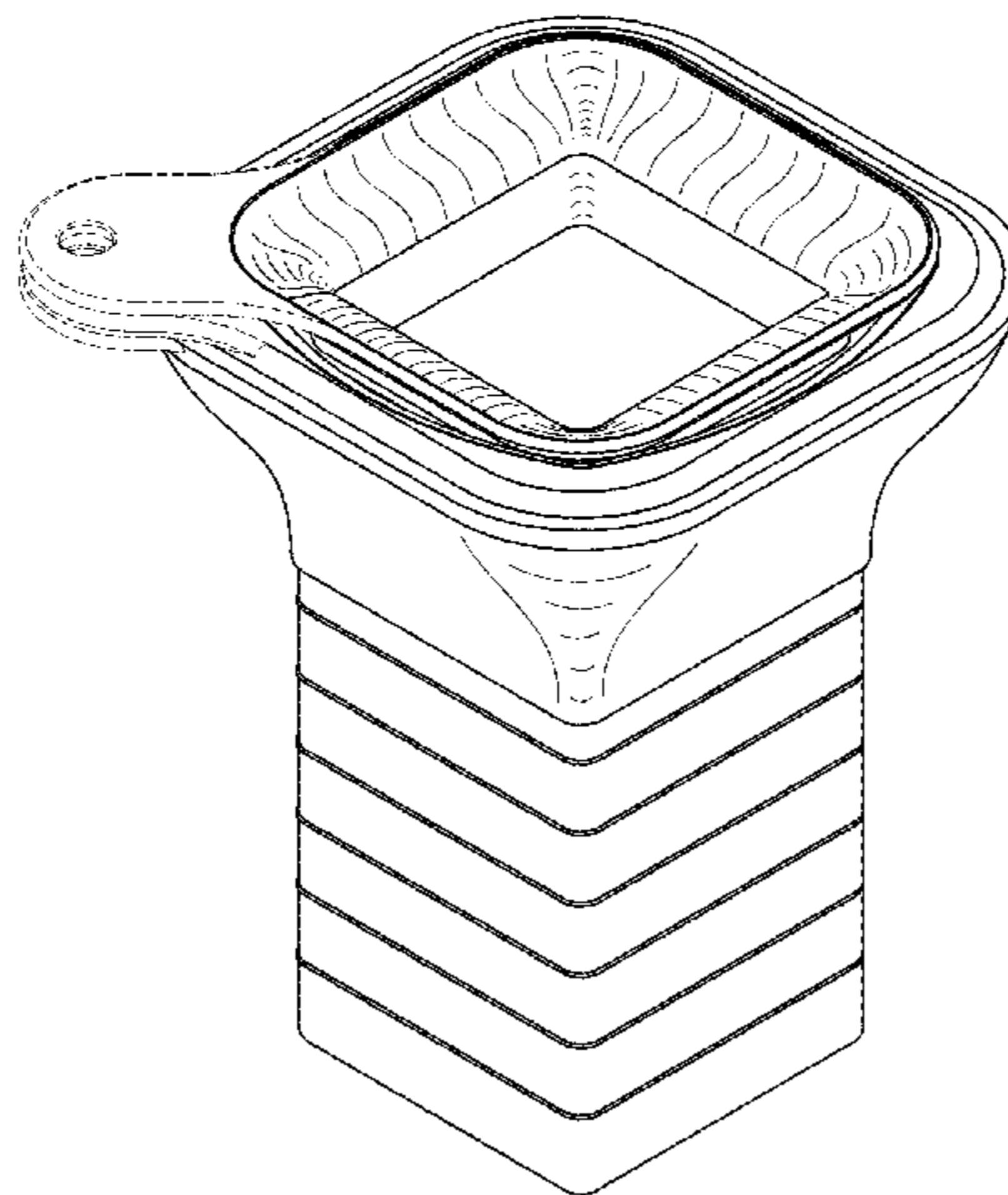
(57) **CLAIM**

The ornamental design for a combined butter holder and dispenser, as shown and described.

DESCRIPTION

FIG. 1 is a top perspective view of a combined butter holder and dispenser showing our new design; FIG. 2 is a first side plan view of the combined butter holder and dispenser of FIG. 1; FIG. 3 is a second side plan view of the combined butter holder and dispenser of FIG. 1; FIG. 4 is a third side plan view of the combined butter holder and dispenser of FIG. 1; FIG. 5 is a fourth side plan view of the combined butter holder and dispenser of FIG. 1; FIG. 6 is a top plan view of the combined butter holder and dispenser of FIG. 1; FIG. 7 is a bottom plan view of the combined butter holder and dispenser of FIG. 1; FIG. 8 is an in use rolled down perspective view of the combined butter holder and dispenser of FIG. 1 without the storage caps; FIG. 9 is an exploded and further rolled down perspective view of the combined butter holder and dispenser of FIG. 1 showing both storage caps; FIG. 10 is an in use rolled down perspective view of the combined butter holder and dispenser of FIG. 1 with a storage cap; and, FIG. 11 is an in use perspective view of a storage cap. Any broken line illustration of environmental structure in the drawings is for illustrative purposes only and forms no part of the claimed design.

1 Claim, 11 Drawing Sheets



(56)

References Cited

U.S. PATENT DOCUMENTS

7,658,566 B2 * 2/2010 Wangler A47G 19/303
401/11
2009/0308266 A1 * 12/2009 Zalesky A47J 9/001
99/537
2012/0128400 A1 * 5/2012 Shahar A47J 9/001
401/89
2017/0164769 A1 * 6/2017 Chouinard, Jr. A47G 19/32
2018/0162607 A1 * 6/2018 Rivera A47J 9/001

* cited by examiner

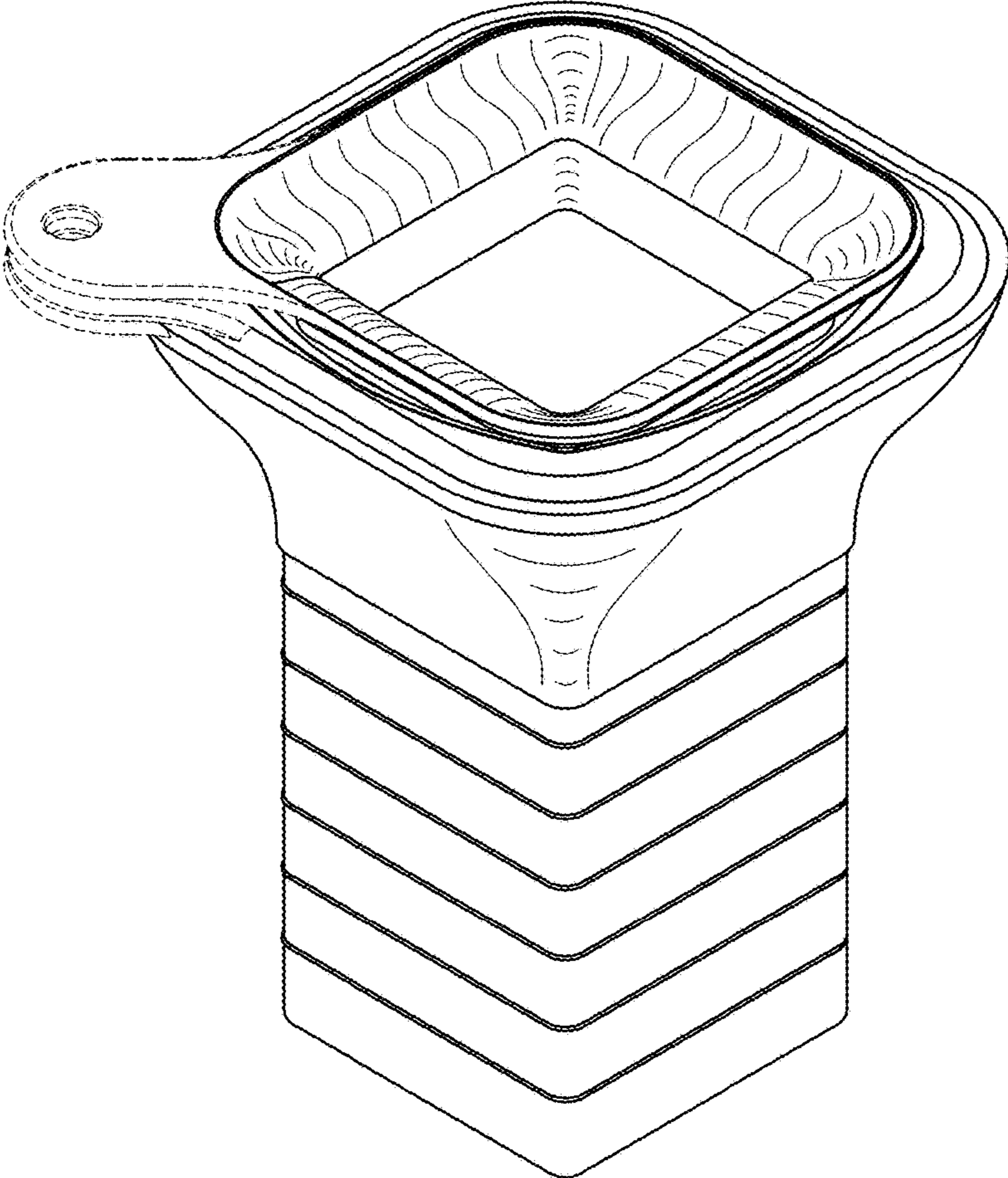


Fig. 1

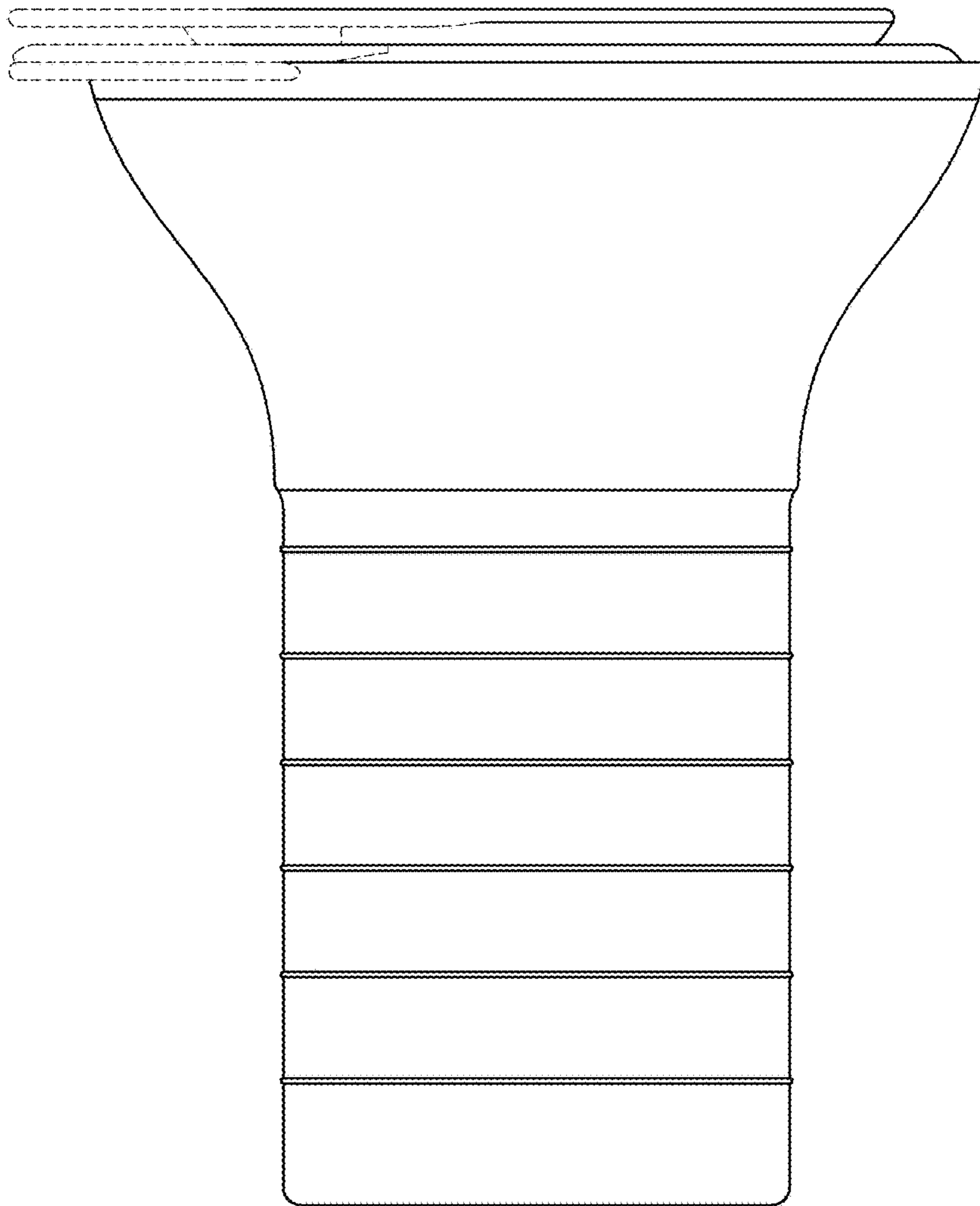


Fig. 2

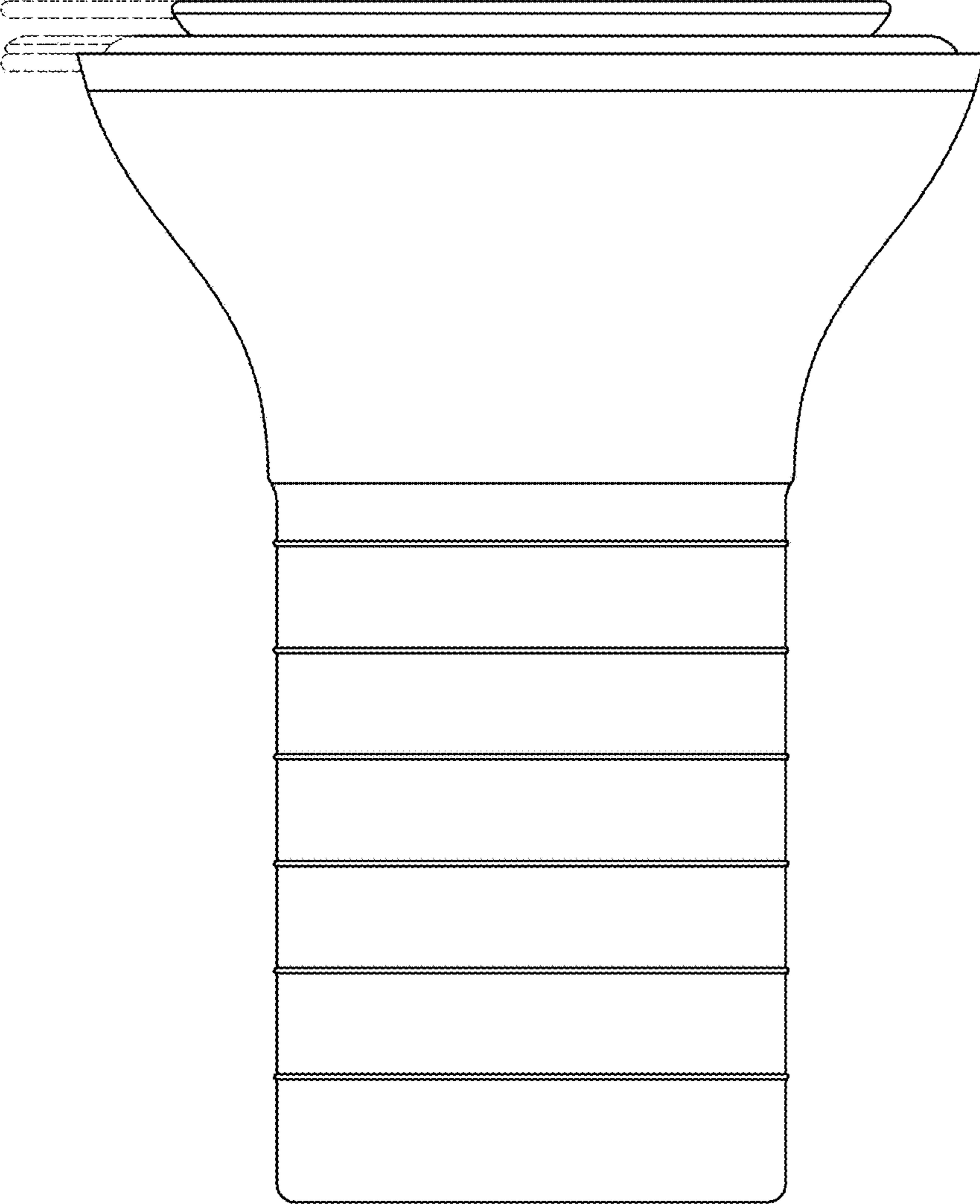


Fig. 3

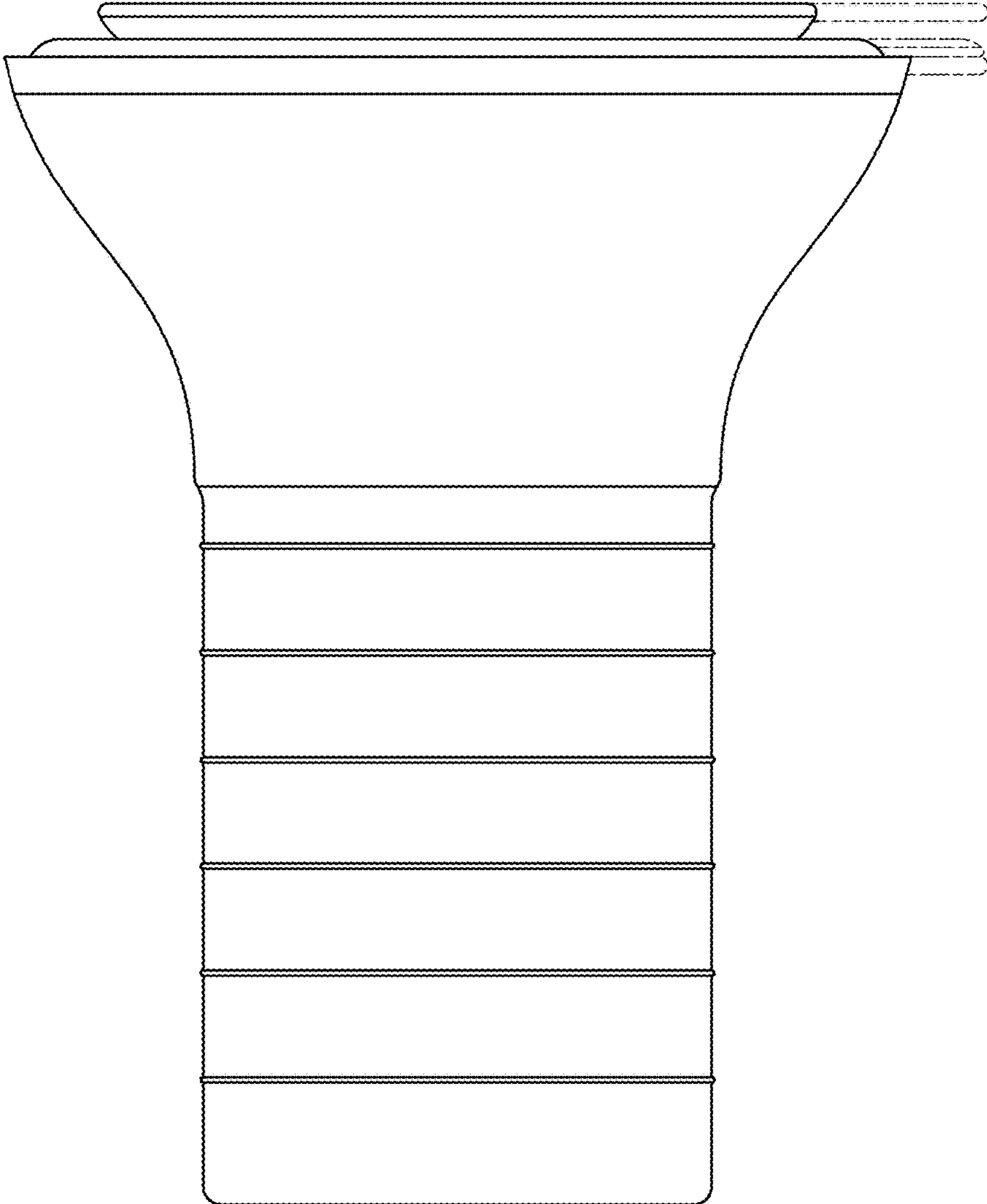


Fig. 4

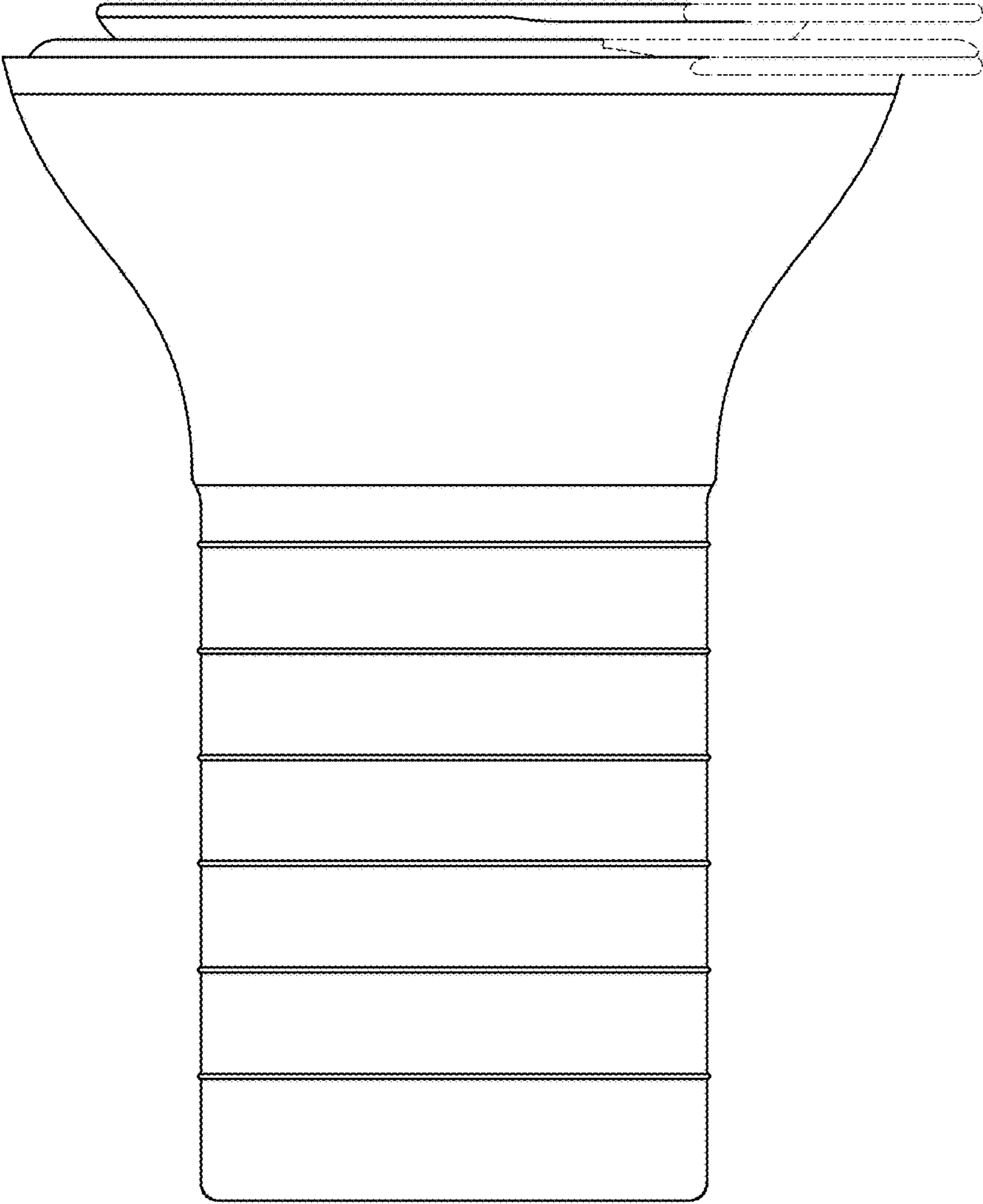


Fig. 5

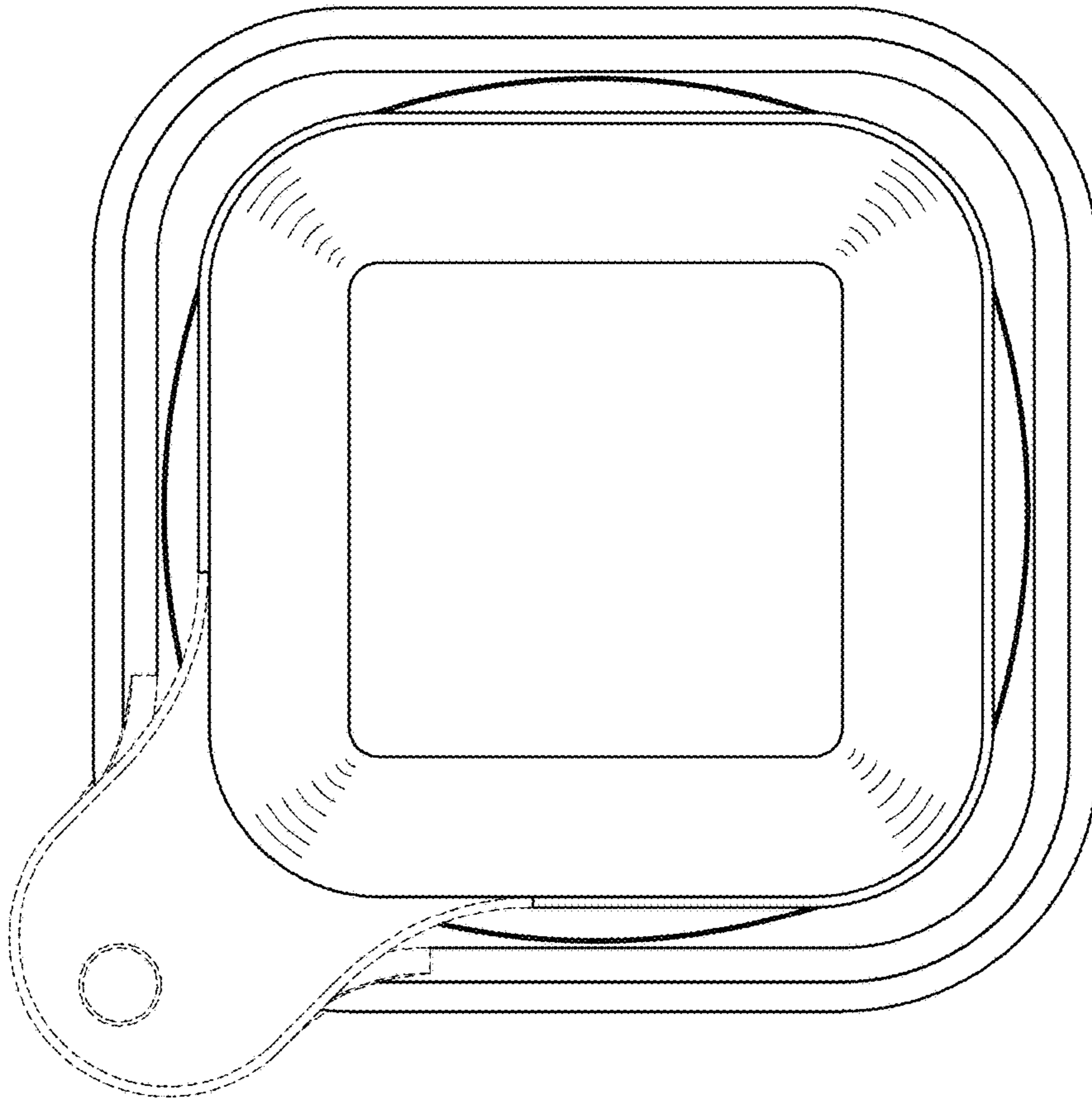


Fig. 6

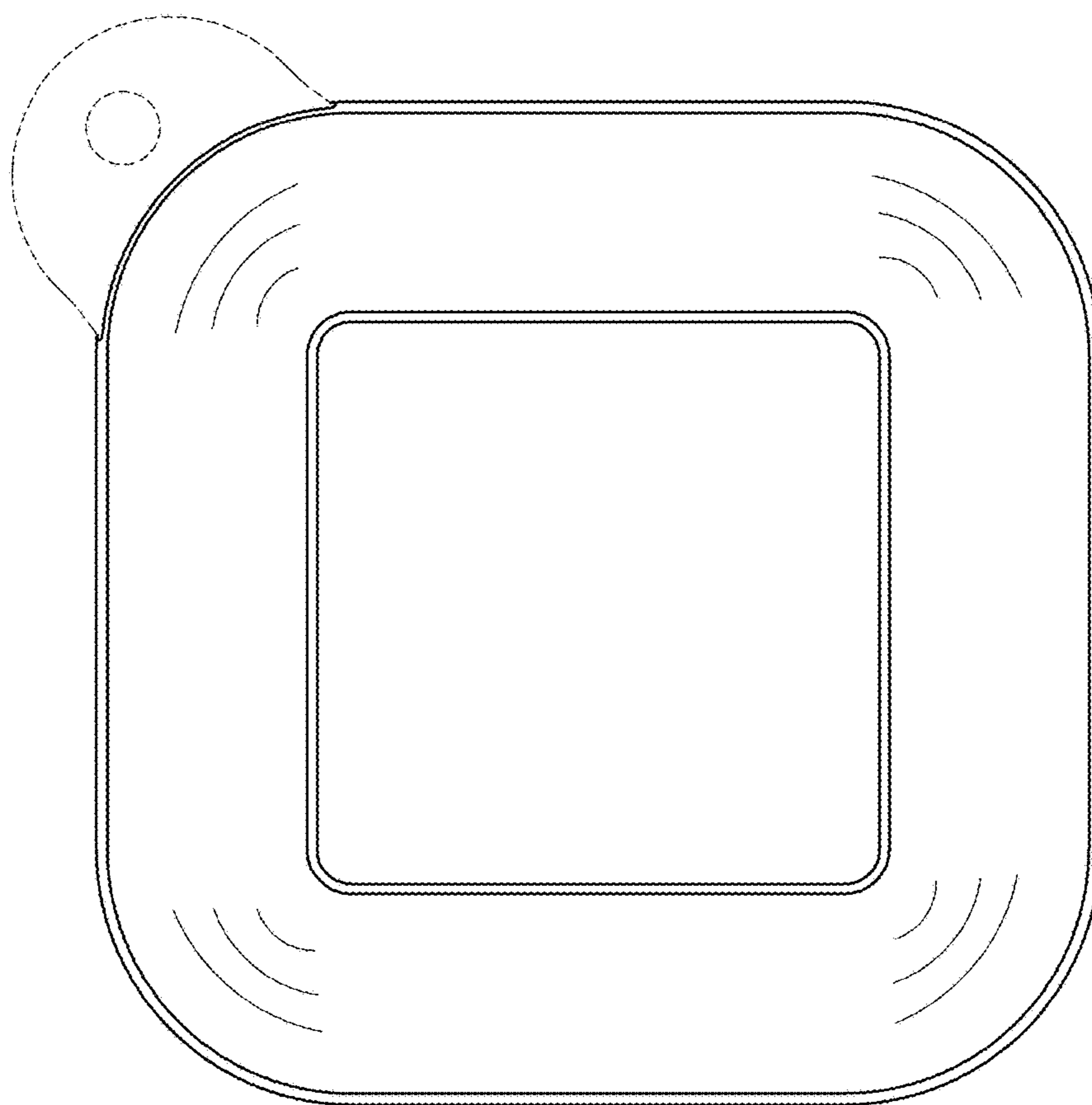


Fig. 7

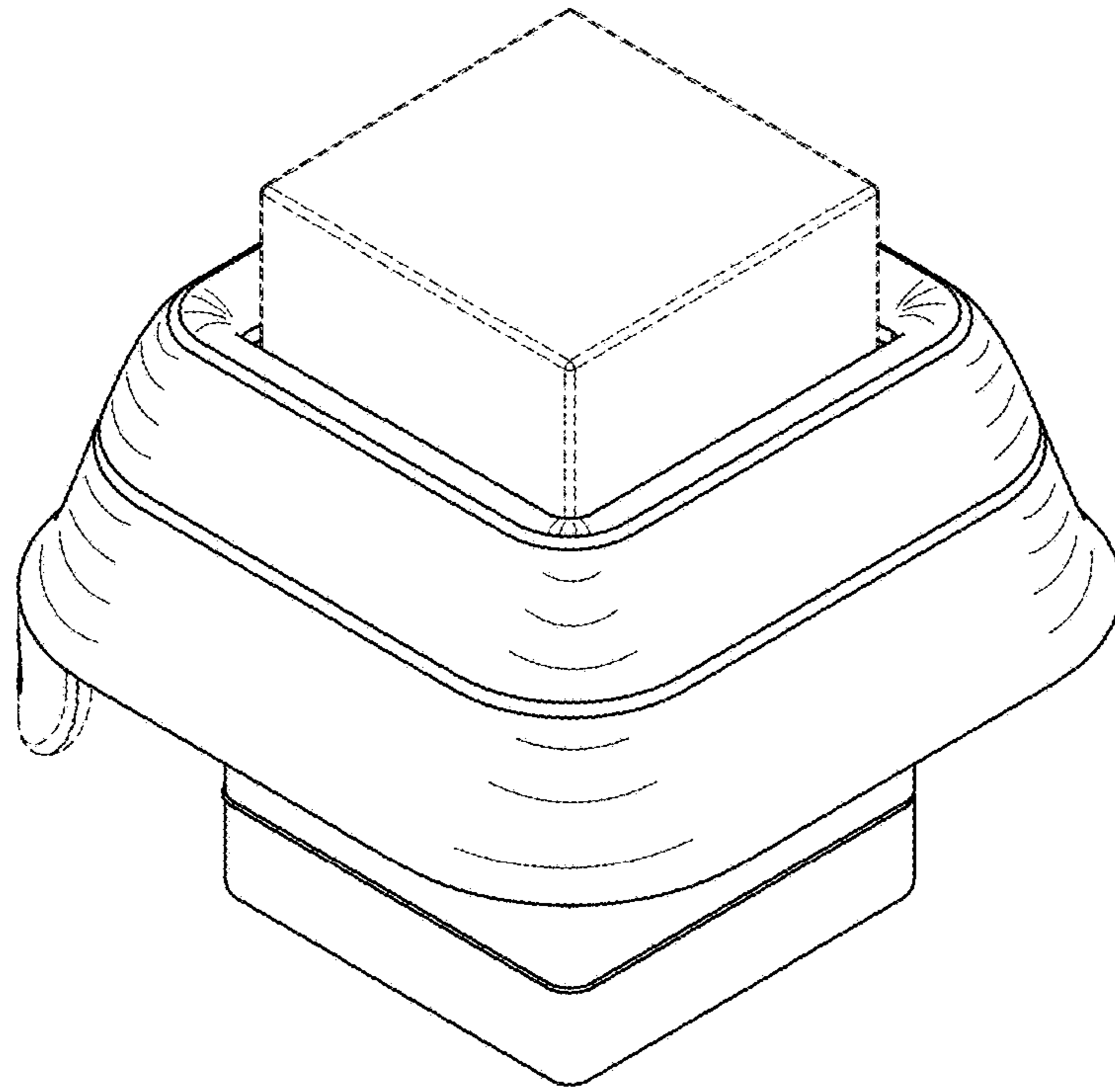


Fig. 8

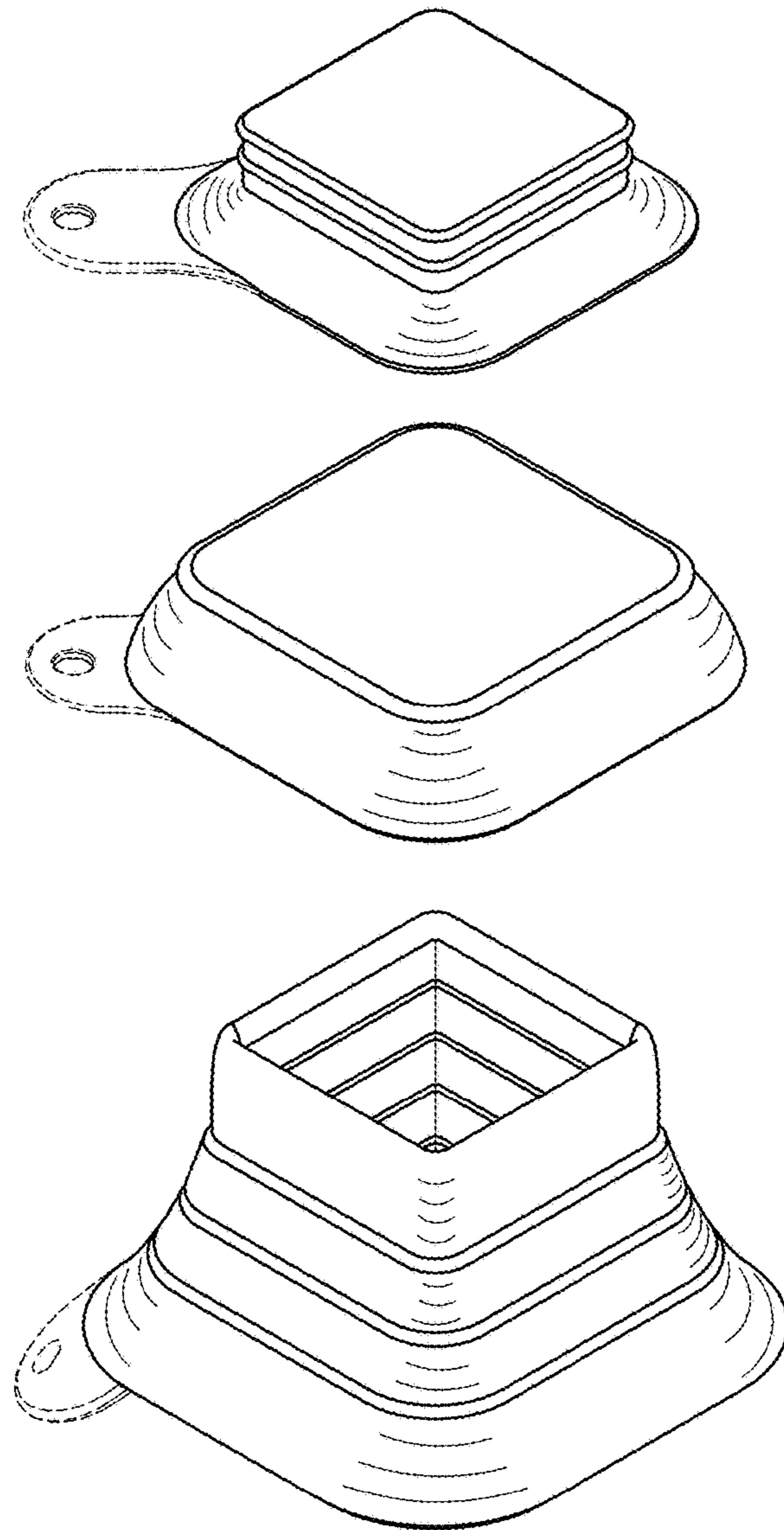


Fig. 9

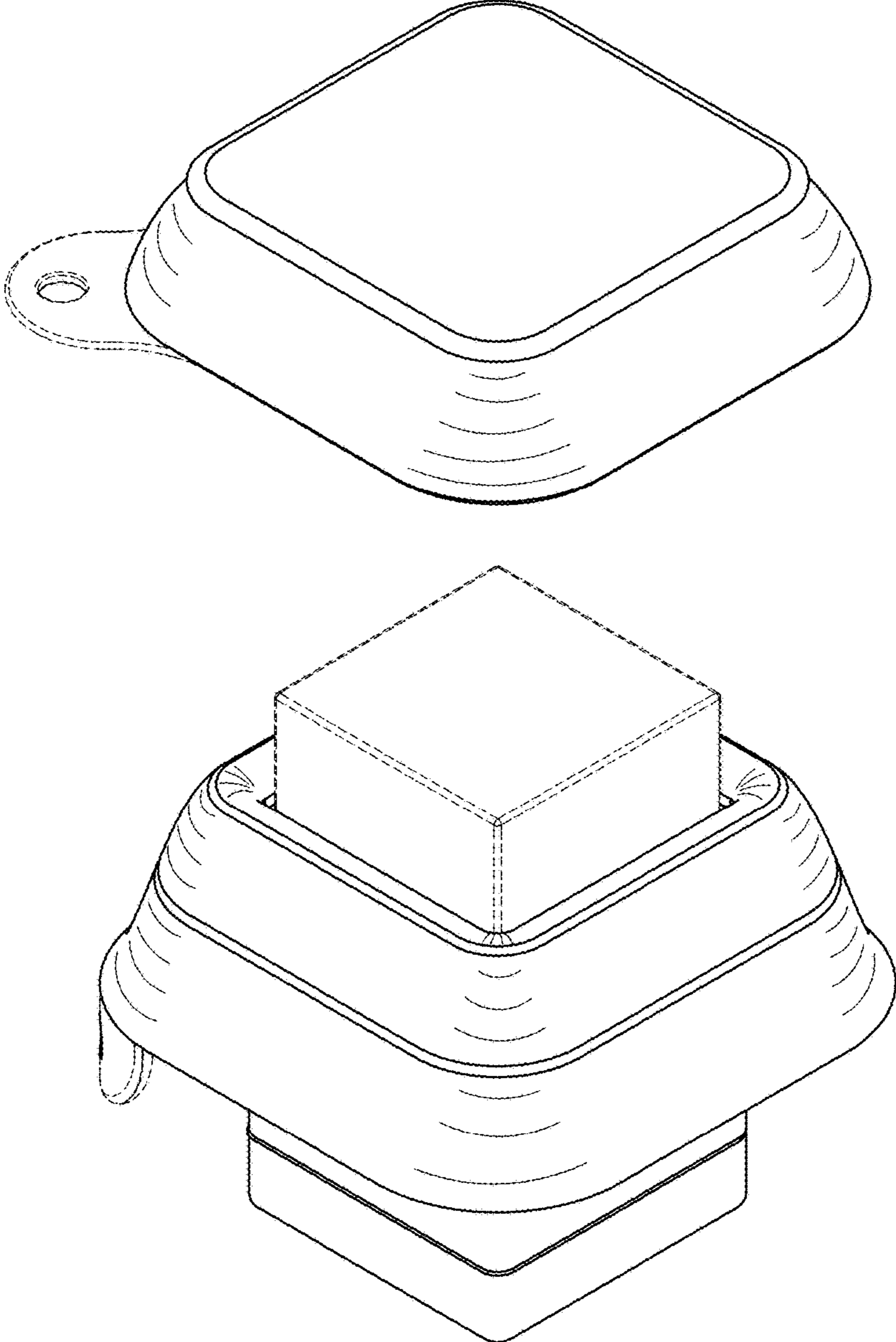


Fig. 10

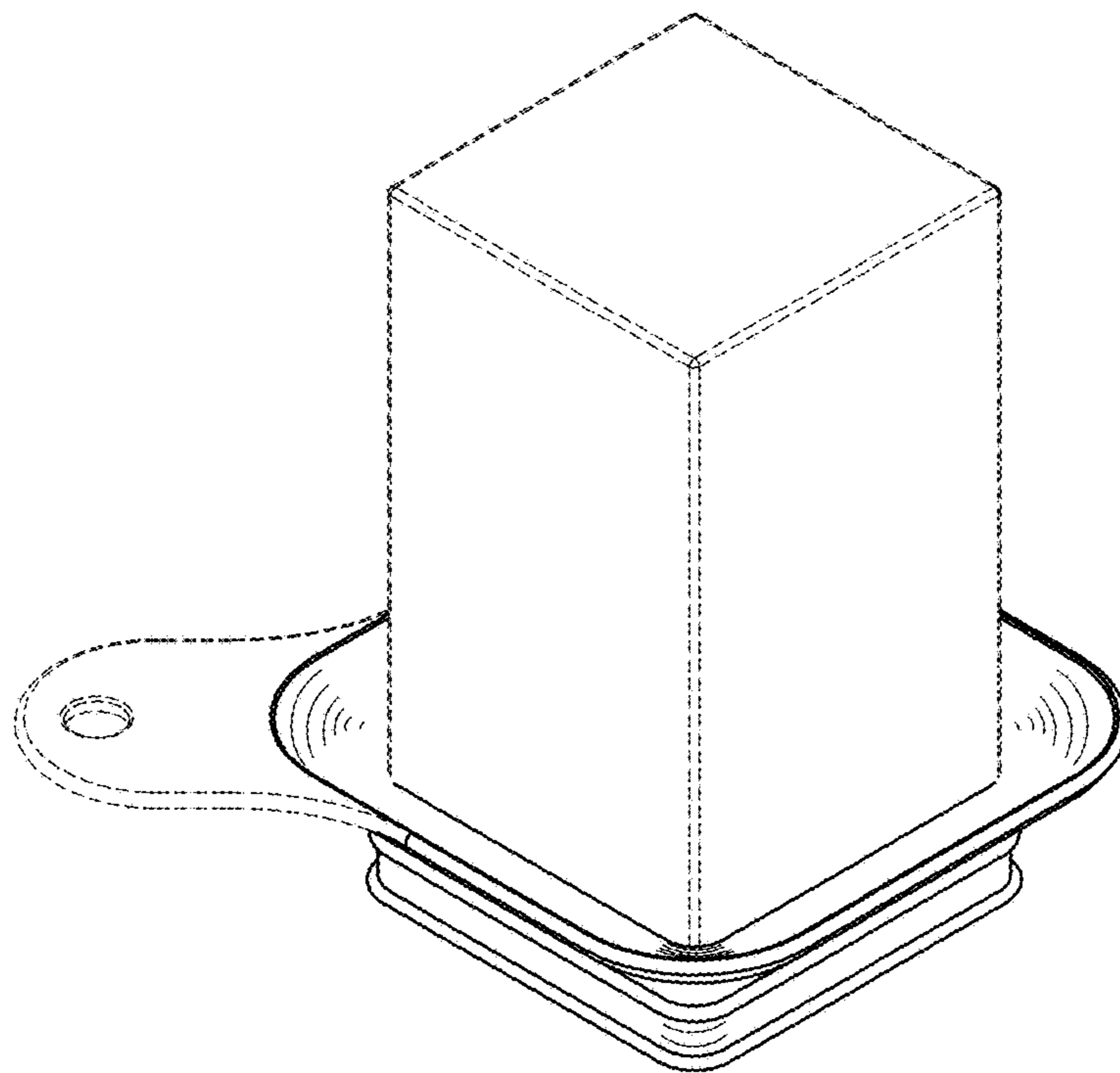


Fig. 11