



US00D863898S

(12) **United States Design Patent** (10) **Patent No.:** **US D863,898 S**
Zemel (45) **Date of Patent:** **** Oct. 22, 2019**

(54) **UTENSIL STAND**
(71) Applicant: **Mr. Bar-B-Q Products LLC**, Melville, NY (US)
(72) Inventor: **Marc Zemel**, Melville, NY (US)
(73) Assignee: **Mr. Bar-B-Q Products LLC**, Melville, NY (US)
(**) Term: **15 Years**

D456,667 S 5/2002 Veltri et al.
D463,952 S 10/2002 Zemel
D465,336 S 11/2002 Zemel
D474,644 S 5/2003 Zemel
D476,525 S 7/2003 Zemel
D481,906 S 11/2003 Knor
D482,566 S 11/2003 Zemel
D482,569 S 11/2003 Zemel
D491,413 S 6/2004 Rosenthal
D492,543 S 7/2004 Munari
D494,006 S 8/2004 Zemel
D494,807 S 8/2004 Zemel

(Continued)

(21) Appl. No.: **29/611,832**
(22) Filed: **Jul. 26, 2017**
(51) **LOC (12) Cl.** **07-02**
(52) **U.S. Cl.**
USPC **D7/669**
(58) **Field of Classification Search**
USPC D7/669, 680-696, 395, 642-664, 401.2
CPC A47J 43/283; A47G 21/145; B25J 7/00;
B25J 11/045; B25B 9/02; C03B 35/20
See application file for complete search history.

OTHER PUBLICATIONS

Design U.S. Appl. No. 29/609,411, filed Jun. 30, 2017; Inventor: Marc Zemel.

Primary Examiner — Terry A Wallace

(74) *Attorney, Agent, or Firm* — Carter, DeLuca & Farrell LLP

(57) **CLAIM**

The ornamental design for a utensil stand, as shown and described.

(56) **References Cited**

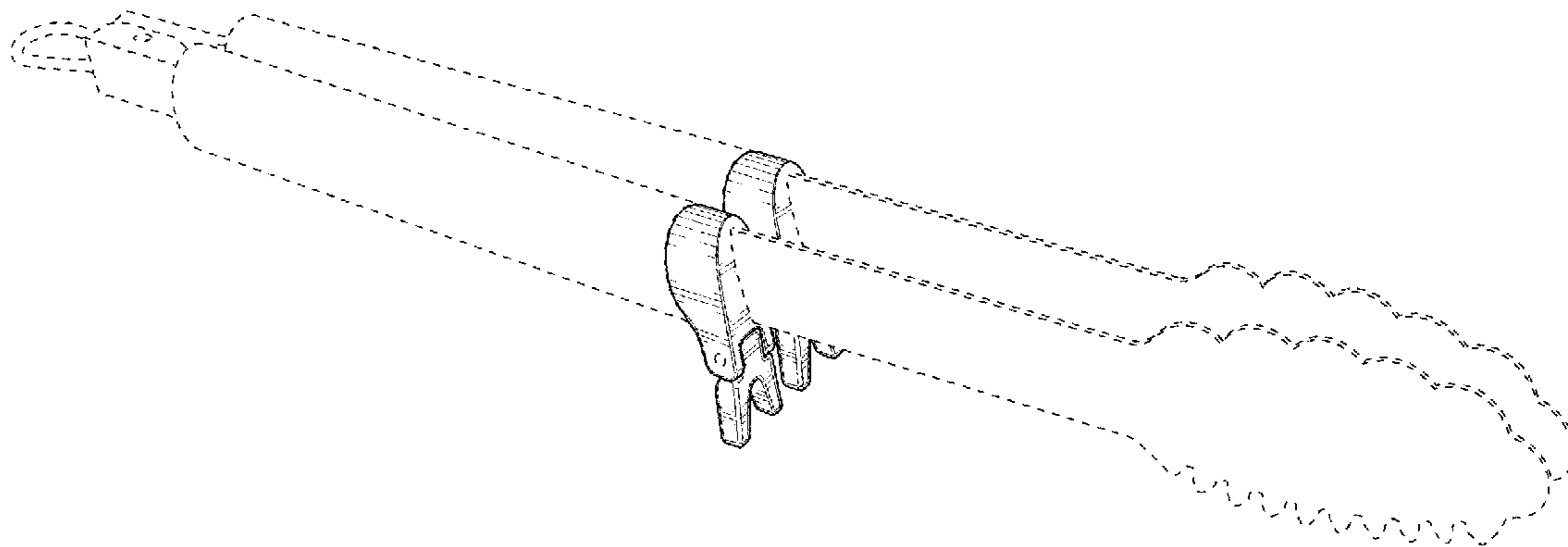
U.S. PATENT DOCUMENTS

D130,264 S 11/1941 Racicot
D146,729 S 4/1947 Storm
D227,624 S 7/1973 Spydyevold
D333,217 S 2/1993 Gingras
D400,358 S 11/1998 Zemel
D417,121 S 11/1999 Brunianyn
D427,025 S 6/2000 Lee
D427,858 S 7/2000 Zemel
D431,753 S 10/2000 Cohen et al.
D431,960 S 10/2000 Hay
D442,026 S 5/2001 Rae
D445,654 S 7/2001 Yu
D448,973 S 10/2001 Hay et al.
D454,432 S 3/2002 Ancona et al.
D456,207 S 4/2002 Zemel
D456,615 S 5/2002 Zemel

DESCRIPTION

FIG. 1 is a perspective view of a utensil stand in accordance with the present design;
FIG. 2 is a right side elevational view thereof;
FIG. 3 is a left side elevational view thereof;
FIG. 4 is a front elevational view thereof;
FIG. 5 is a rear elevational view thereof;
FIG. 6 is a top plan view thereof;
FIG. 7 is a bottom plan view thereof; and,
FIG. 8 is a perspective view of the utensil stand in an open configuration in accordance with the present design.
The broken lines shown in the drawings illustrate portions of the utensil stand that form no part of the claimed design.

1 Claim, 5 Drawing Sheets



(56)

References Cited

U.S. PATENT DOCUMENTS

D496,558 S	9/2004	Zemel	D574,184 S	8/2008	Zemel
D503,071 S	3/2005	Lu	D578,826 S	10/2008	Lu
D528,857 S	9/2006	Zemel	D579,269 S	10/2008	Zemel
D529,333 S	10/2006	Zemel	D579,668 S	11/2008	Zemel
D529,335 S	10/2006	Zemel	D580,659 S	11/2008	Zemel
D531,853 S	11/2006	Zemel	D588,868 S	3/2009	Zemel
D533,397 S	12/2006	Zemel	D616,205 S	5/2010	Rothman
D534,001 S	12/2006	Zemel	7,716,775 B2	5/2010	DiPietro et al.
D535,147 S	1/2007	Zemel	D618,499 S	6/2010	Zemel
D535,519 S	1/2007	Zemel	D622,542 S	8/2010	Zemel
D536,530 S	2/2007	Peterson	D629,650 S	12/2010	Funka, Jr. et al.
D544,750 S	6/2007	Zemel	D631,289 S	1/2011	Tuli
D545,120 S	6/2007	Zemel	D658,433 S	5/2012	Zemel
D545,121 S	6/2007	Zemel	D658,937 S	5/2012	Zemel
D550,504 S	9/2007	Zemel	D660,141 S	5/2012	Zemel
D562,062 S	2/2008	Zemel	D663,159 S	7/2012	Zemel
D562,064 S	2/2008	Zemel	D679,506 S	4/2013	Hile
D563,675 S	3/2008	Zemel	D690,153 S	9/2013	Zemel
D564,292 S	3/2008	Zemel	D702,996 S	4/2014	Zemel et al.
D566,460 S	4/2008	Zemel	D703,444 S *	4/2014	Jalet D4/121
D569,174 S	5/2008	Zemel	D736,040 S *	8/2015	Donovan D7/401.2
D572,079 S	7/2008	Zemel	D737,626 S	9/2015	Lu
D572,080 S	7/2008	Zemel	D739,684 S *	9/2015	Donovan D7/401.2
D573,350 S	7/2008	Rivas	D747,935 S *	1/2016	Schock D7/642
			D751,824 S	3/2016	Childs
			D773,242 S	12/2016	Zemel et al.
			D782,828 S	4/2017	Hwang

* cited by examiner

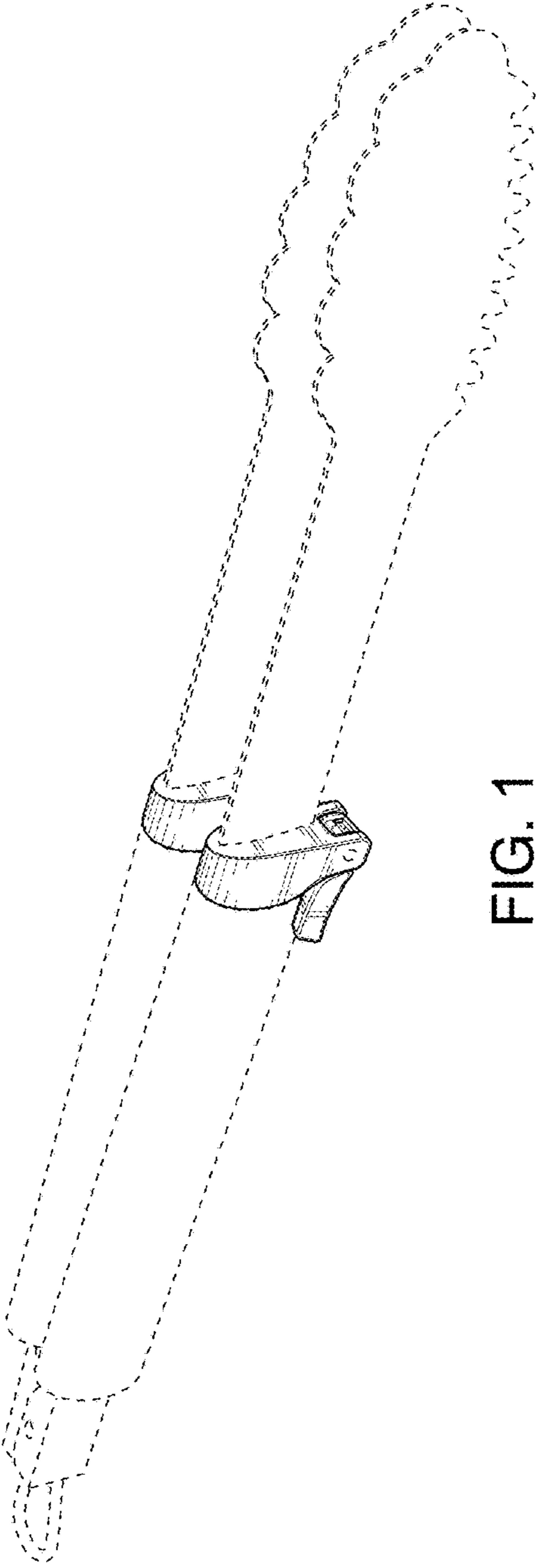


FIG. 1

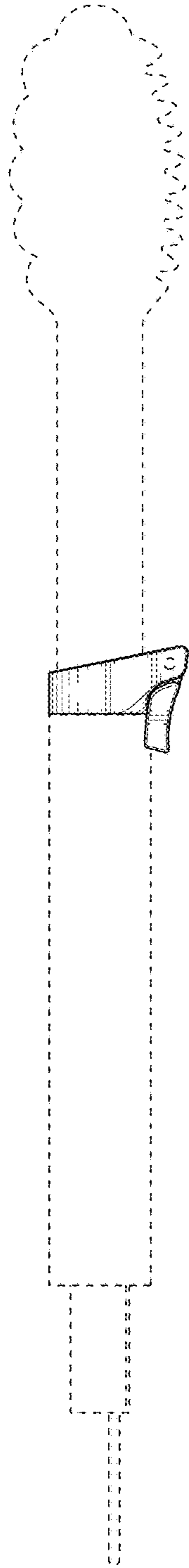


FIG. 2

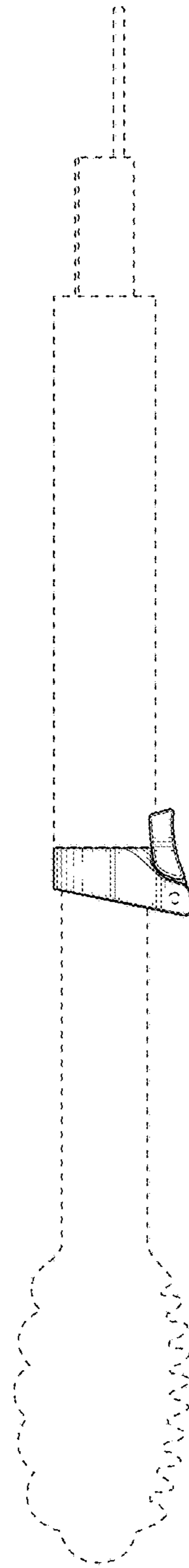


FIG. 3

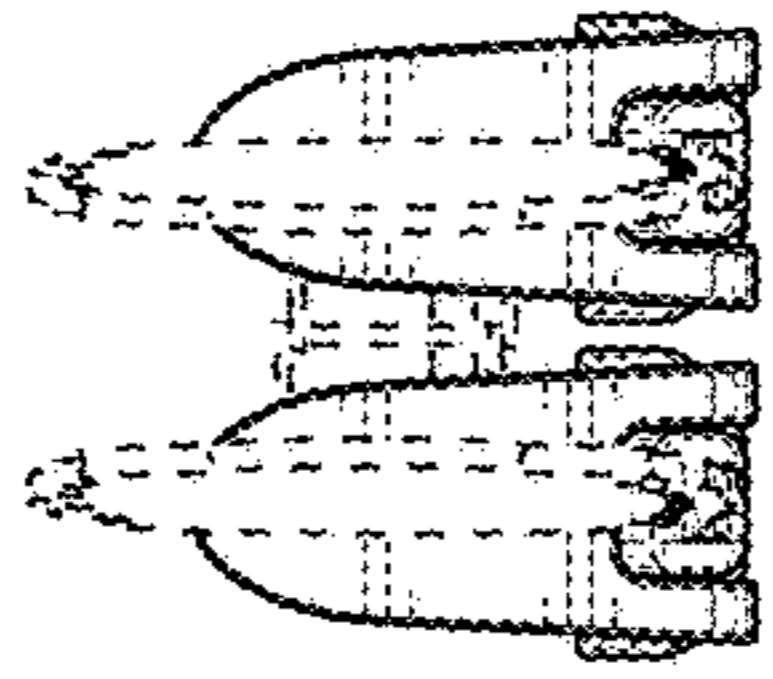


FIG. 4

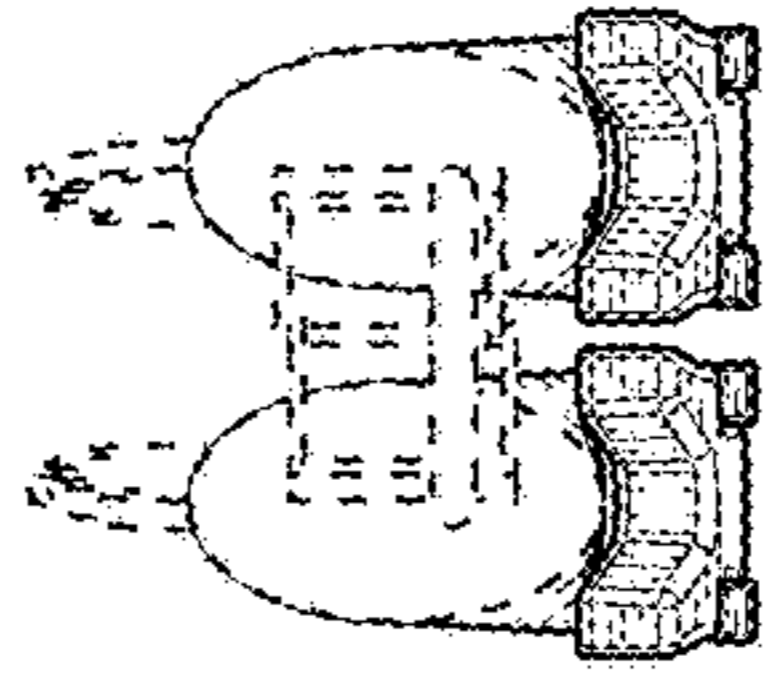


FIG. 5

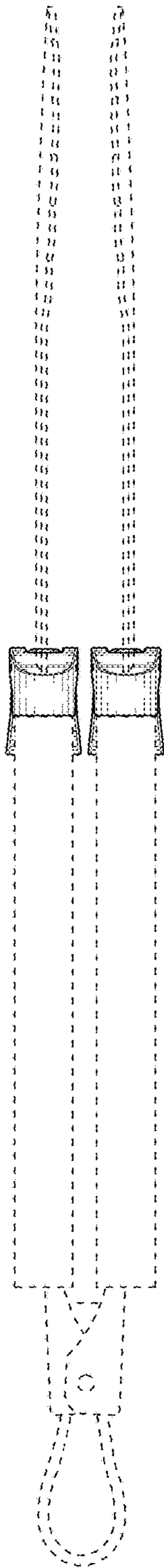


FIG. 6

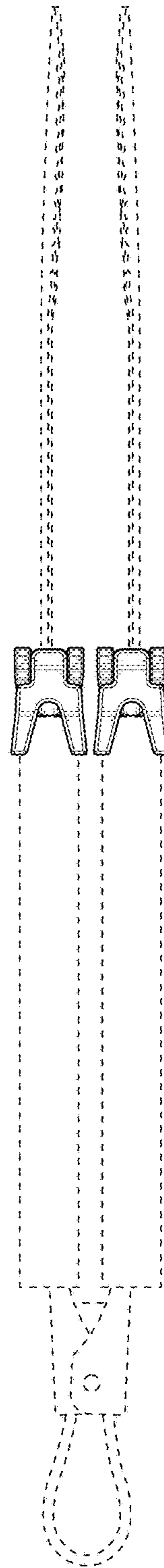


FIG. 7

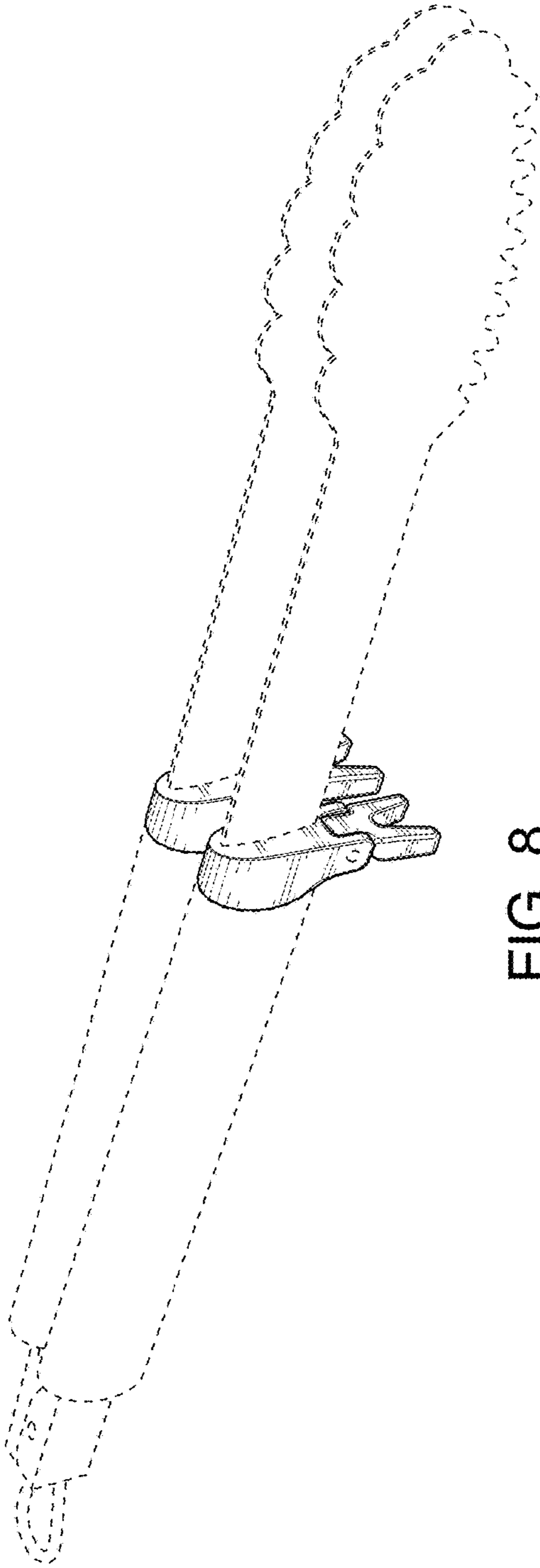


FIG. 8