



US00D863895S

(12) **United States Design Patent** (10) **Patent No.:** **US D863,895 S**
Pearce et al. (45) **Date of Patent:** **** Oct. 22, 2019**

(54) **SLEEVE FOR CONTAINER** 2011/0198310 A1* 8/2011 Deitelbaum B65D 23/0885
215/12.1

(71) Applicants: **Cosette Rose Pearce**, Newport Beach, CA (US); **Joseph Robert Pearce**, Newport Beach, CA (US) * cited by examiner

(72) Inventors: **Cosette Rose Pearce**, Newport Beach, CA (US); **Joseph Robert Pearce**, Newport Beach, CA (US) *Primary Examiner* — Terry A Wallace
(74) *Attorney, Agent, or Firm* — Dunlap Bennett & Ludwig PLLC

(**) Term: **15 Years**

(21) Appl. No.: **29/646,289**

(22) Filed: **May 3, 2018**

(51) **LOC (12) Cl.** **07-01**

(52) **U.S. Cl.**
USPC **D7/624.2**

(58) **Field of Classification Search**
USPC D7/619.1–625, 509, 523; D9/444
CPC B65D 23/0871; B65D 23/0885; B65D 81/022; A47G 23/0241; A47G 23/0291; A61J 9/08
See application file for complete search history.

(56) **References Cited**

U.S. PATENT DOCUMENTS

D707,087 S * 6/2014 Joy D7/607
D769,066 S * 10/2016 Mason D7/509
2009/0057257 A1* 3/2009 Marcus A61J 9/08
215/11.6

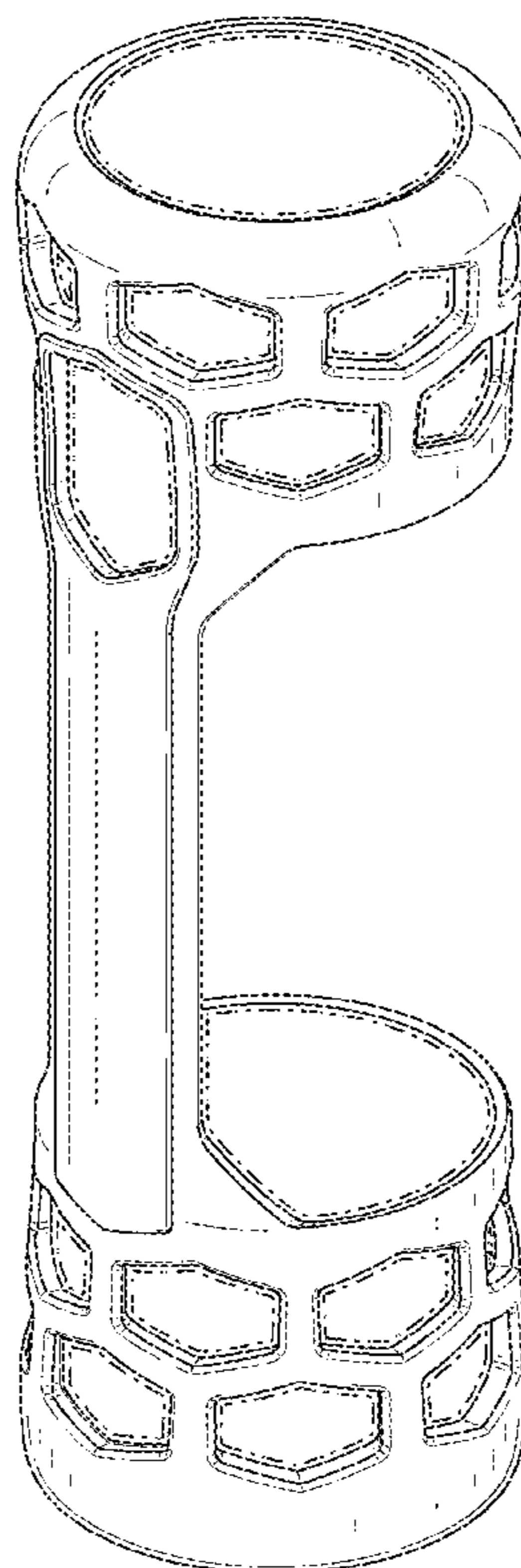
(57) **CLAIM**

The ornamental design for a sleeve for container, as shown and described.

DESCRIPTION

FIG. 1 is a front perspective view of a sleeve for container; FIG. 2 is a front elevation view thereof; FIG. 3 is a rear elevation view thereof; FIG. 4 is a left elevation view thereof, the right elevation view being a mirror image thereof; FIG. 5 is a top plan view thereof; and, FIG. 6 is a bottom plan view thereof. The broken lines consisting of dash-dot-dash lines in the drawings depict the boundary of the claimed invention and it is understood that the claim extends to the boundary that forms no part of the claimed design.

1 Claim, 5 Drawing Sheets



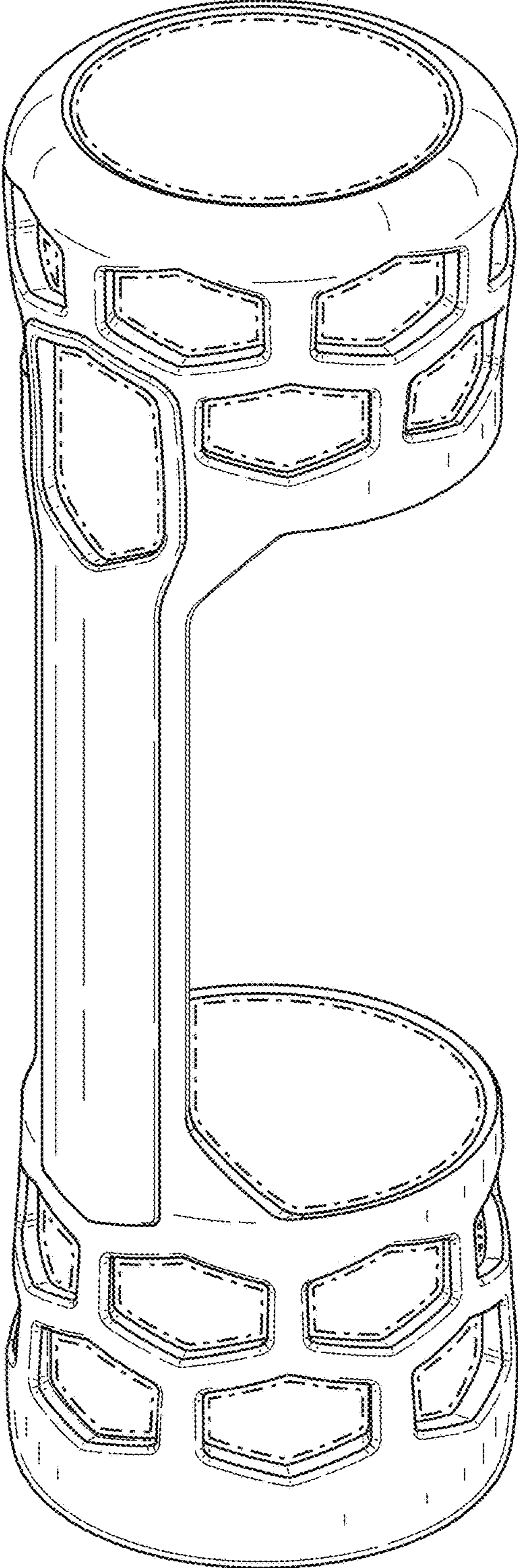


FIG. 1

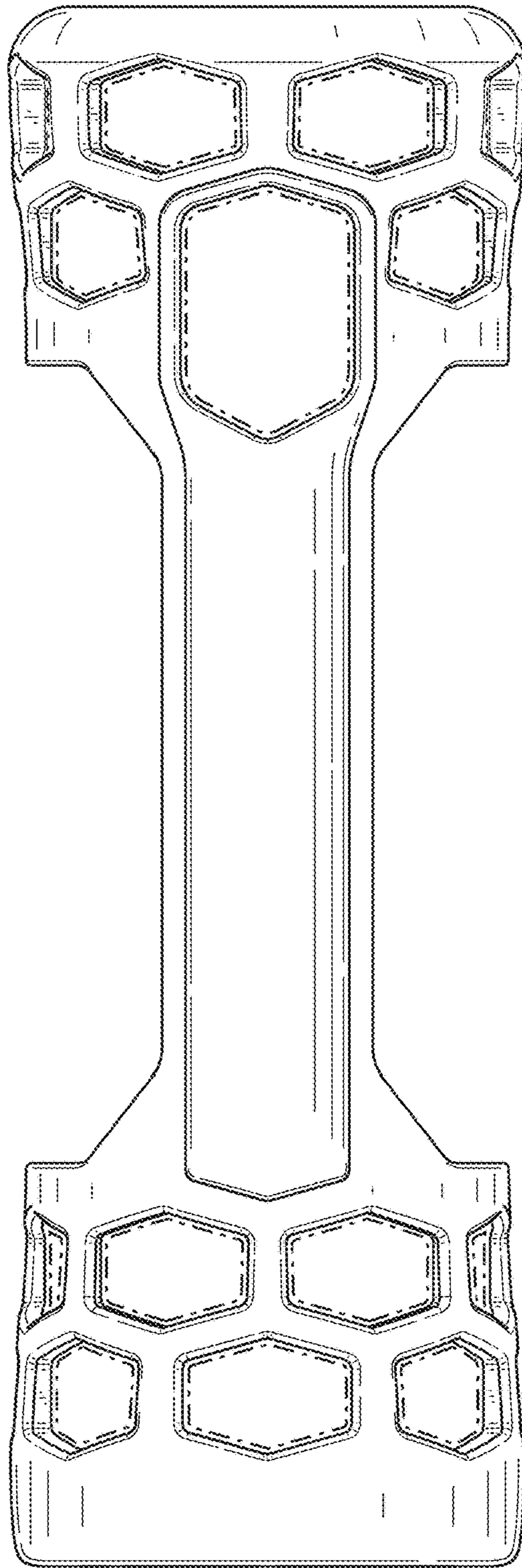


FIG. 2

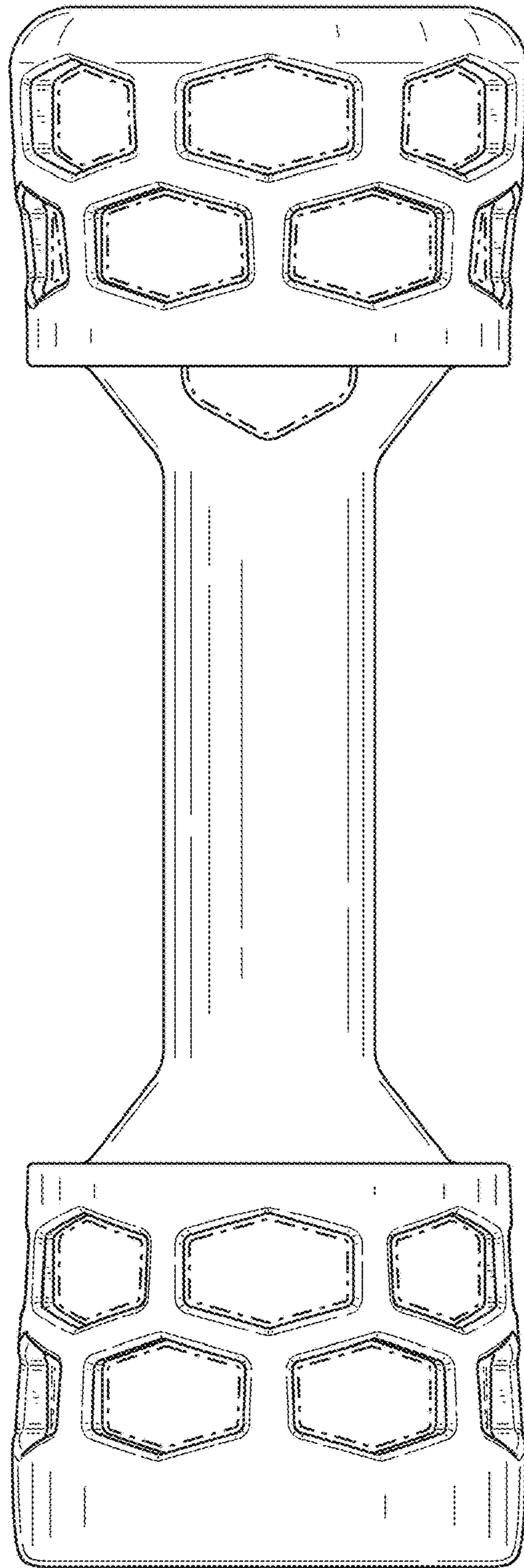


FIG. 3

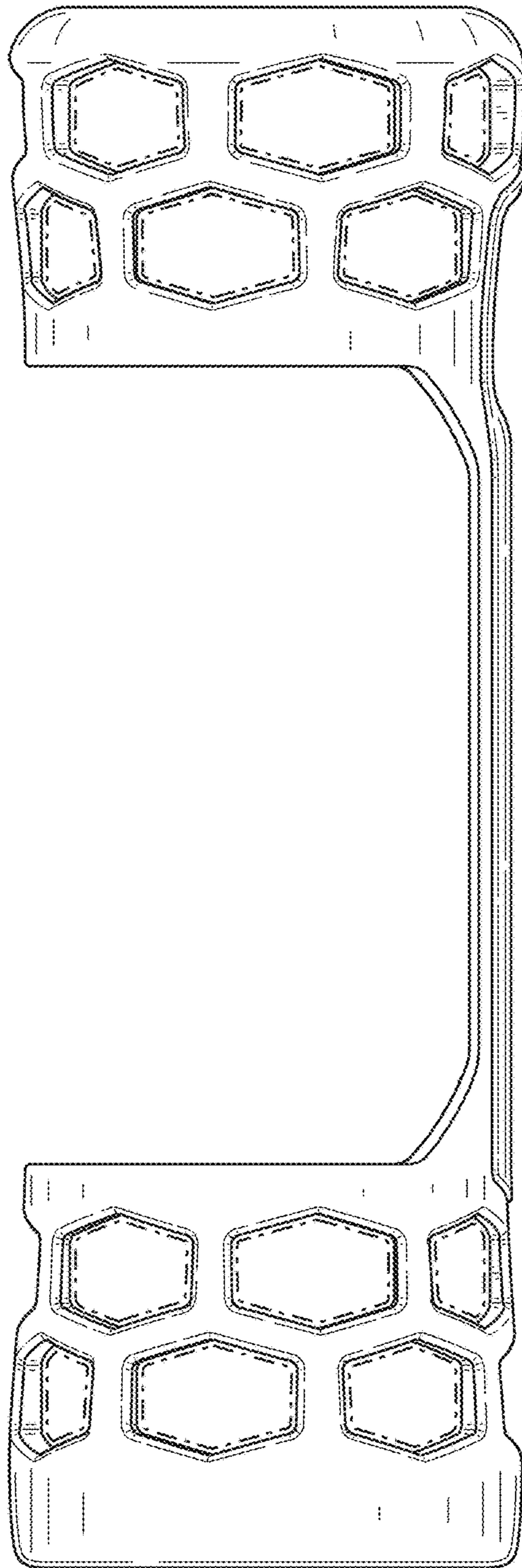


FIG. 4

5 / 5

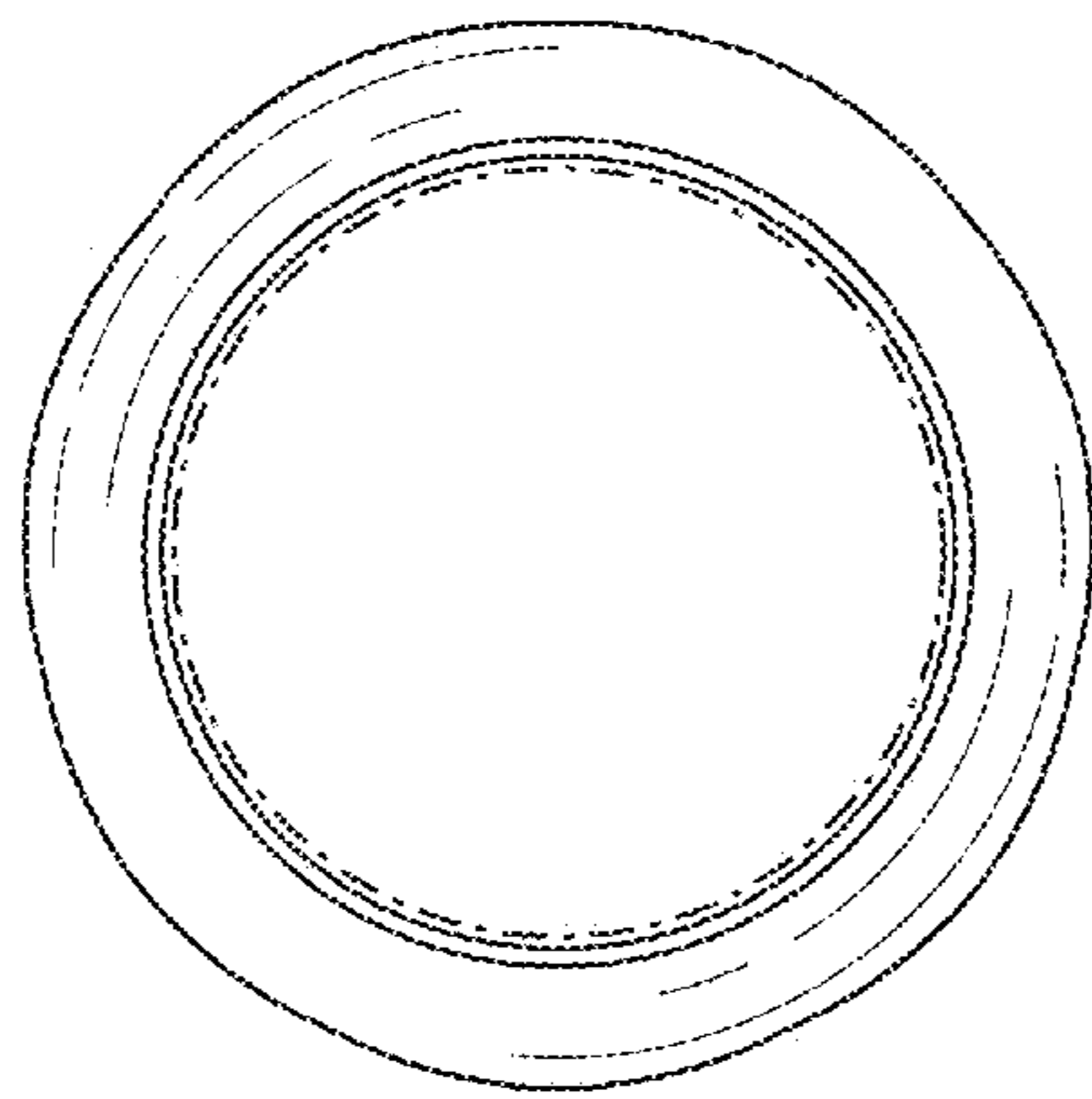


FIG. 5

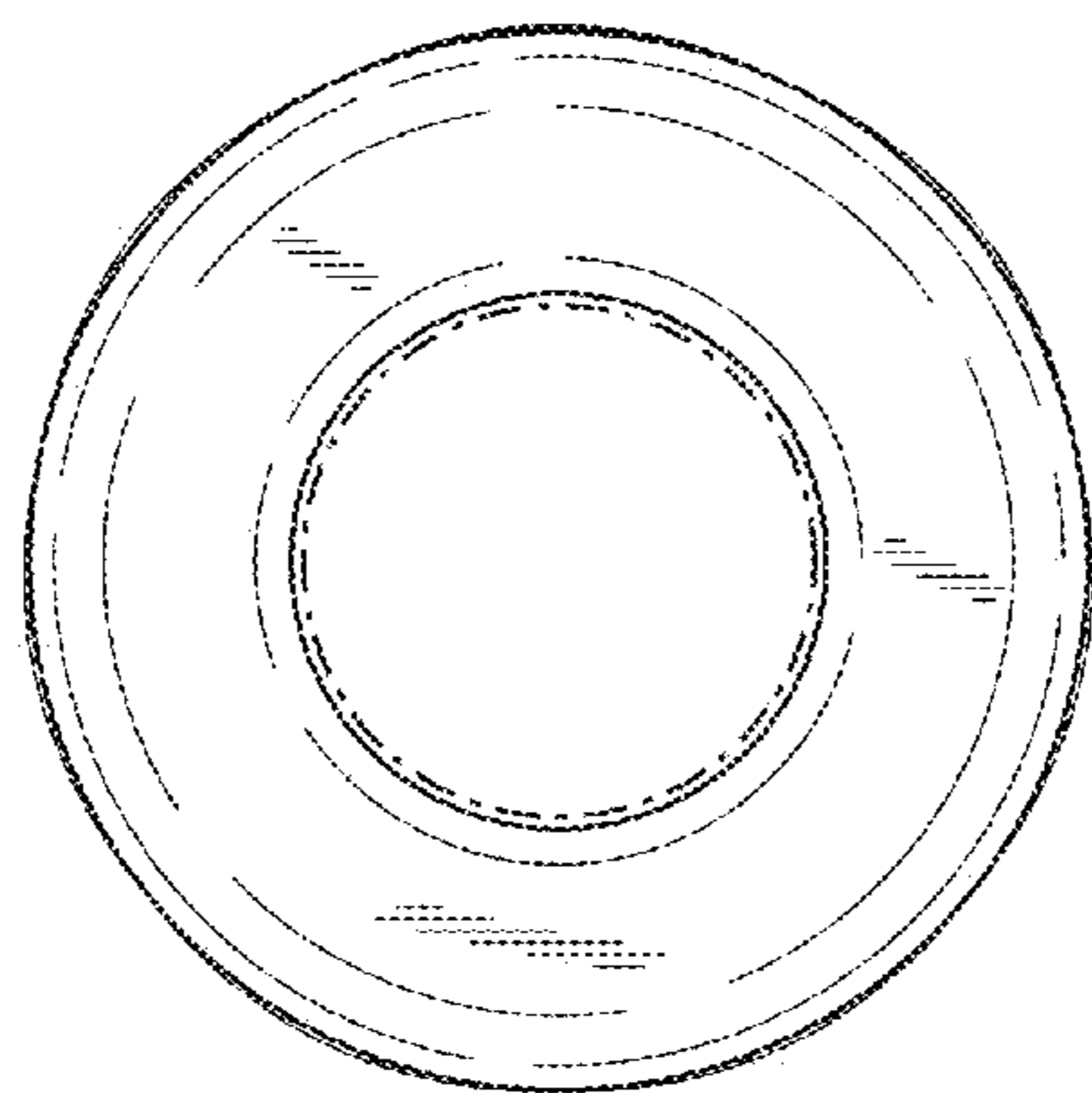


FIG. 6