



US00D863893S

(12) **United States Design Patent** (10) **Patent No.:** **US D863,893 S**
Ellison et al. (45) **Date of Patent:** **** Oct. 22, 2019**

(54) **PORTABLE INSULATING CONTAINER**

FOREIGN PATENT DOCUMENTS

(71) Applicant: **YETI Coolers, LLC**, Austin, TX (US)

CN 3403648 11/2004
CN 3407989 12/2004

(72) Inventors: **Kyle Ellison**, Austin, TX (US); **Rafael Moreno**, The Woodlands, TX (US); **Colin Darling**, Austin, TX (US); **Evan Goldberg**, Austin, TX (US); **Lane Van Wagner**, Dripping Springs, TX (US)

(Continued)

(73) Assignee: **YETI Coolers, LLC**, Austin, TX (US)

OTHER PUBLICATIONS

(**) Term: **15 Years**

Ebay, "Wheeled Coolers" search results [online]; retrieved Dec. 11, 2018; URL: <<https://www.ebay.com/bhp/wheeled-cooler>>.

(21) Appl. No.: **29/650,917**

(Continued)

(22) Filed: **Jun. 11, 2018**

Primary Examiner — Terry A Wallace

Related U.S. Application Data

(74) *Attorney, Agent, or Firm* — Banner & Witcoff, Ltd.

(63) Continuation of application No. 29/647,444, filed on May 13, 2018.

(57) **CLAIM**

The ornamental design for a portable insulating container, as shown and described.

(51) **LOC (12) Cl.** **07-01**

DESCRIPTION

(52) **U.S. Cl.**
USPC **D7/605**

(58) **Field of Classification Search**
USPC D7/605–608, 629, 630, 709, 710;
D3/272–274
CPC B65D 81/3888; B65D 81/38; B65D 81/3813; B65D 81/3816; B65D 81/3818; B65D 81/3823; B65D 81/3858; A45C 11/20; A45C 5/14; A45C 5/03; A45C 9/00; A45F 3/46; F25D 3/02; F25D 3/04; F25D 3/06; F25D 3/08; F25D 3/11; F25D 3/14; F25D 2331/804; F25D 31/005; A47B

FIG. 1 is a top, front, left perspective view of a portable insulating container showing our new design;
FIG. 2 is a top, front, right perspective view thereof;
FIG. 3 is a front view thereof;
FIG. 4 is a rear view thereof;
FIG. 5 is a right side view thereof;
FIG. 6 is a left side view thereof;
FIG. 7 is a top view thereof;
FIG. 8 is a bottom view thereof;
FIG. 9 is a top, front, left perspective view of a portable insulating container showing our design in an alternate configuration;
FIG. 10 is a left side view thereof; and,
FIG. 11 is a front view thereof.

(Continued)

The broken lines immediately adjacent to the shaded area define the bounds of the claimed design and form no part thereof. The broken lines depicting the remainder of the portable insulating container show features that form no part of the claimed design.

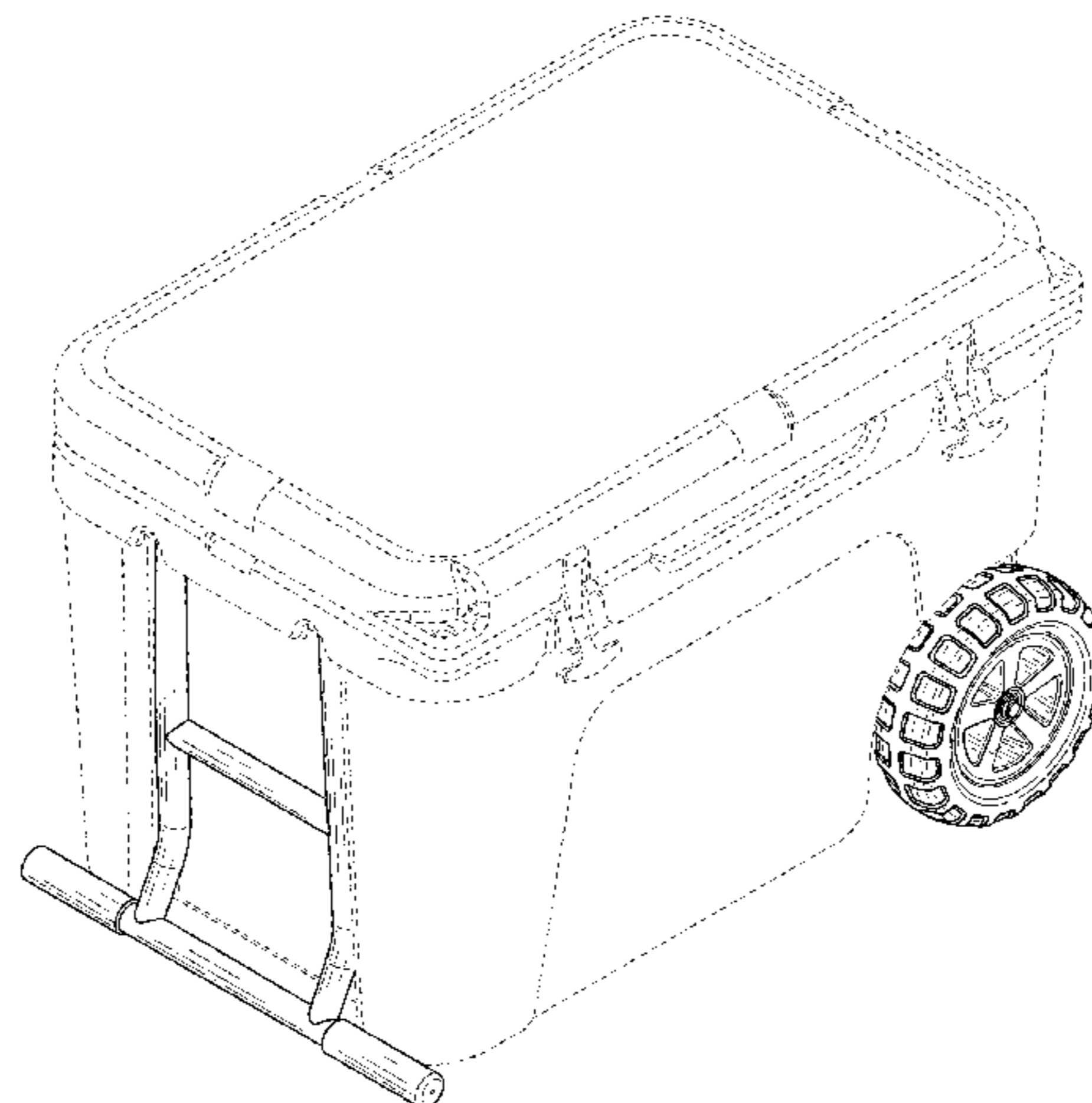
(56) **References Cited**

U.S. PATENT DOCUMENTS

4,846,493 A 7/1989 Mason
D328,689 S * 8/1992 Riskowski D15/83

(Continued)

1 Claim, 11 Drawing Sheets



(58) **Field of Classification Search**
 CPC 77/08; A47J 41/022; A47G 19/2288; B26B
 3/003; F25B 19/00
 See application file for complete search history.

D780,521 S 3/2017 Garcia et al.
 2005/0217071 A1 10/2005 Shinner
 2008/0179847 A1 7/2008 DeFrancia
 2011/0226785 A1 9/2011 Sakell
 2012/0132657 A1* 5/2012 Seiders B65D 81/3816
 220/592.2
 2013/0062356 A1* 3/2013 Deka B65D 81/3823
 220/592.25
 2014/0197059 A1 7/2014 Evans et al.
 2016/0348954 A1 12/2016 McBeth

(56) **References Cited**
 U.S. PATENT DOCUMENTS

5,228,706 A 7/1993 Boville
 5,232,232 A 8/1993 Kishi
 5,249,438 A 10/1993 Rhaney et al.
 5,285,656 A 2/1994 Peters
 5,306,029 A 4/1994 Kaiser, II
 5,373,708 A 12/1994 Dumoulin, Jr.
 5,407,218 A 4/1995 Jackson
 5,465,985 A 11/1995 Devan et al.
 D369,695 S * 5/1996 Imotani D6/686
 5,772,222 A 6/1998 Sim et al.
 D415,658 S 10/1999 Frehse
 D429,606 S 8/2000 Israel et al.
 6,116,701 A 9/2000 Kuo
 6,131,925 A 10/2000 Weldon
 6,182,462 B1* 2/2001 Bania A45C 11/20
 62/264
 6,463,756 B1 10/2002 Lewis
 6,467,779 B1 10/2002 Mills
 6,592,133 B2 7/2003 Powell
 D479,440 S 9/2003 Kennedy
 D480,276 S 10/2003 Duart et al.
 6,755,428 B2 6/2004 Butler
 D503,413 S 3/2005 Diaz
 D505,836 S 6/2005 Burkholder
 D514,891 S 2/2006 Garcia et al.
 D566,479 S 4/2008 Kabalin
 D587,972 S 3/2009 Dorisca et al.
 D612,670 S 3/2010 Sanchez et al.
 D649,783 S 12/2011 Brunner
 D660,589 S * 5/2012 Ayjian D3/260
 D667,697 S 9/2012 Shah
 8,256,156 B1 9/2012 Burgoyne, Jr.
 8,851,282 B2 10/2014 Brunner
 D743,171 S 11/2015 Reinhart
 9,199,782 B1 12/2015 Cliatt
 D758,729 S 6/2016 Tonelli et al.

FOREIGN PATENT DOCUMENTS

CN 301512222 4/2011
 CN 301639026 8/2011
 CN 301888389 4/2012
 CN 302411562 4/2013
 CN 302411563 4/2013
 CN 302610891 10/2013
 CN 302610892 10/2013
 CN 303374735 9/2015
 CN 303993733 1/2017
 CN 304011514 1/2017
 DE 29714544 U1 1/1998
 DE 29908057 U1 9/1999
 EM 002682229-0008 4/2015
 WO 9522266 A1 8/1995
 WO 11022866 A1 3/2011

OTHER PUBLICATIONS

Well Promo, "Wholesale—Igloo All Terrain Cooler 70 Quart";
 retrieved Dec. 11, 2018; URL: <<http://www.wellpromo.com/Wholesale/Coolers/Igloo-All-Terrain-Cooler-70-Quart-212308.htm>>.
 Coleman, "55 Quart Rugged 55 A/T Wheeled Cooler Detail"
 [online]; retrieved Dec. 11, 2018; URL: <<http://www.coleman.com/55-quart-rugged-55-at-wheeled-cooler/3000004144.html>>.
 Youtube, "Yeti Cooler All Terrain Wheel System—The Rambler X1
 Rambler Wheels for Yeti Coolers" [online]; retrieved Dec. 11, 2018;
 URL: <<https://www.youtube.com/watch?v=kGLX0Rv8sUw&app=desktop>>.

* cited by examiner

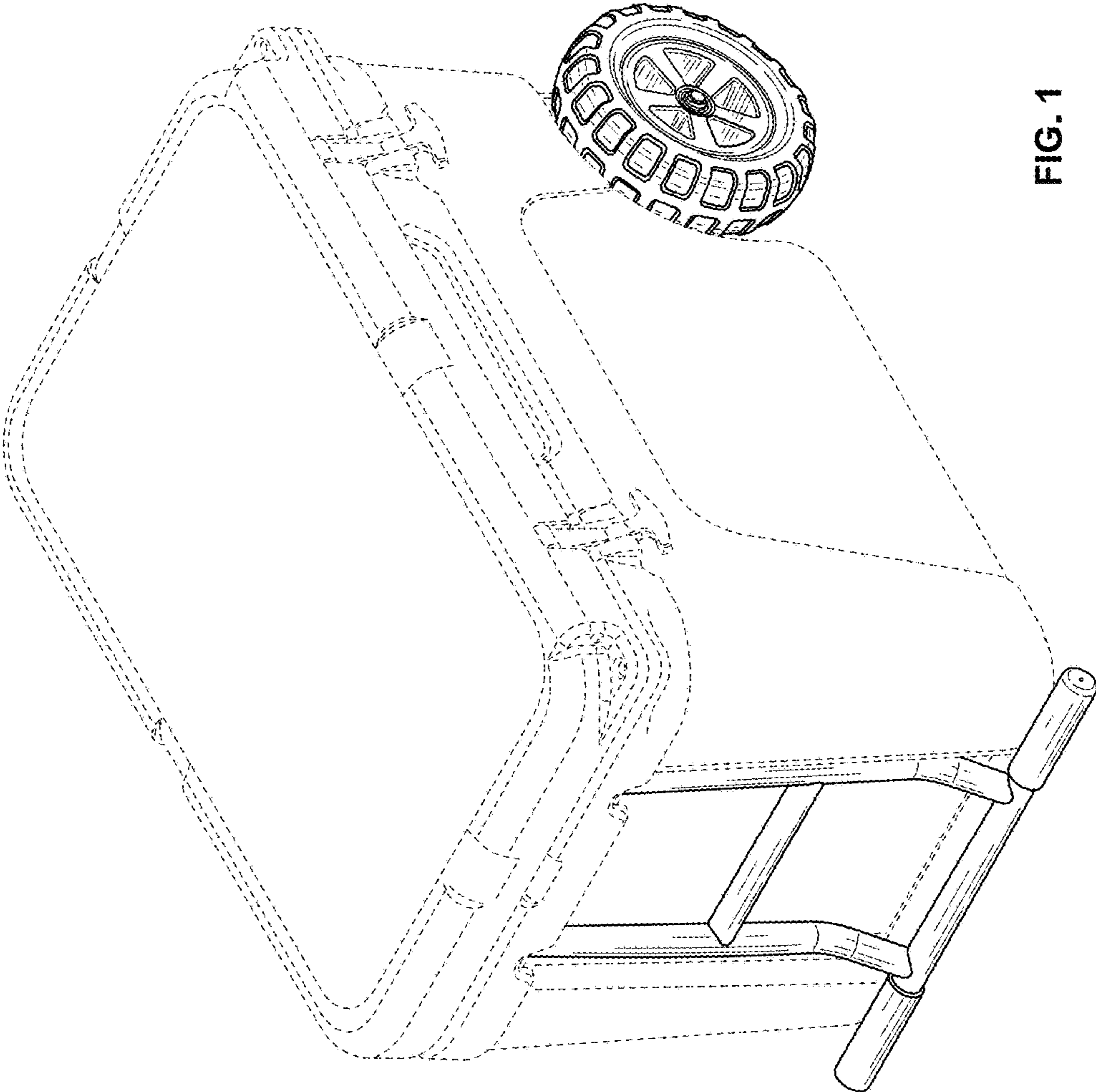


FIG. 1

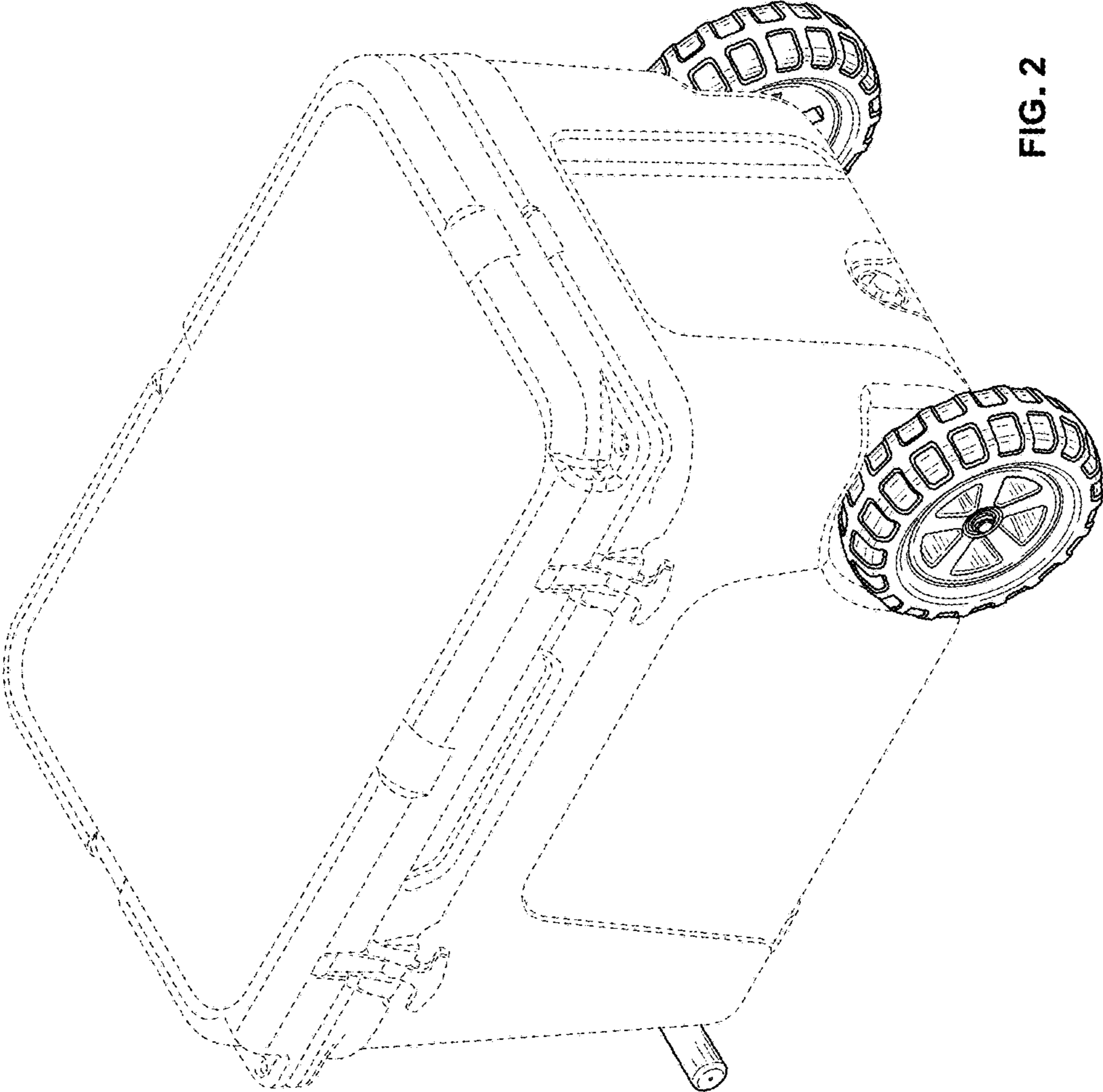


FIG. 2

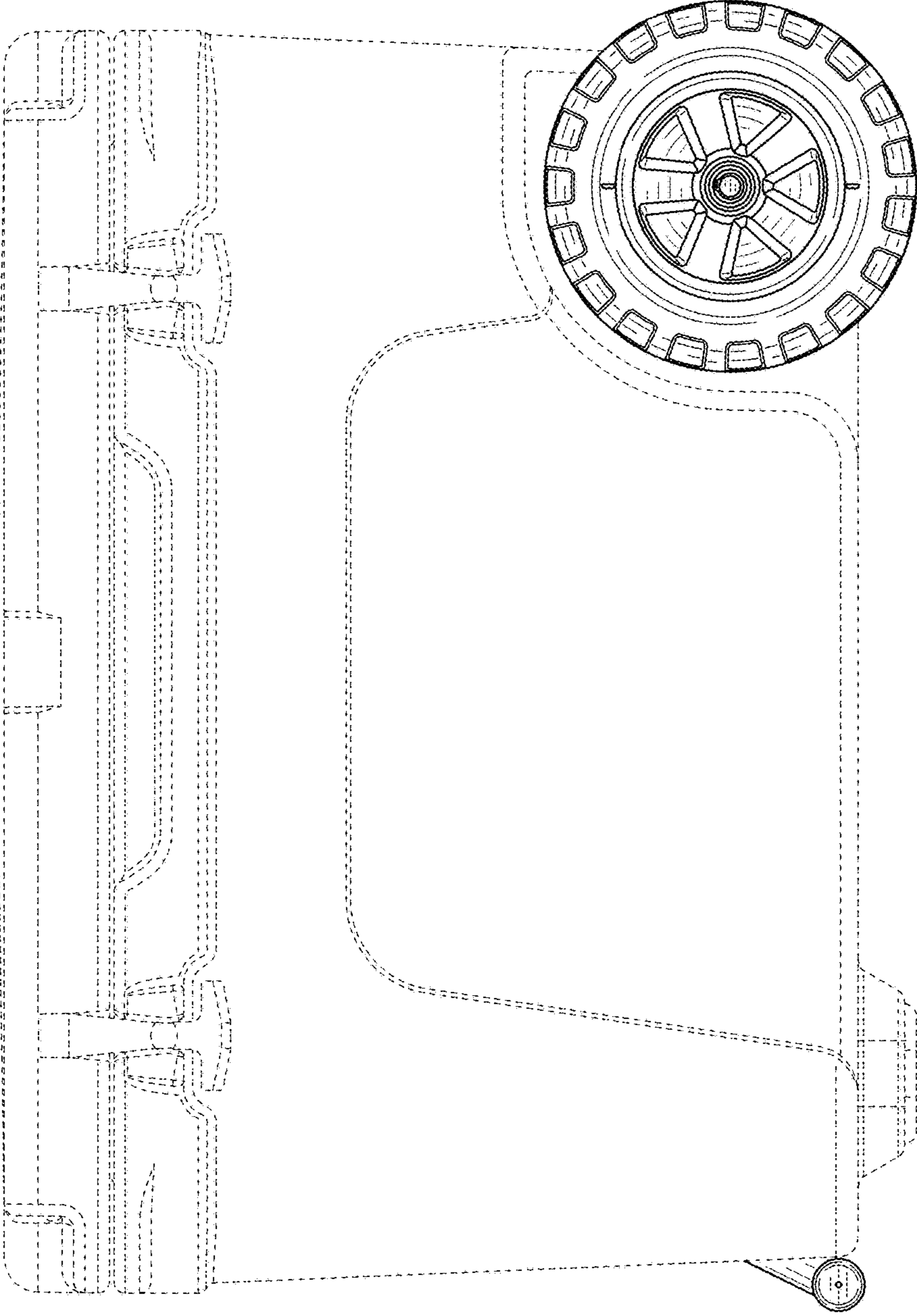


FIG. 3

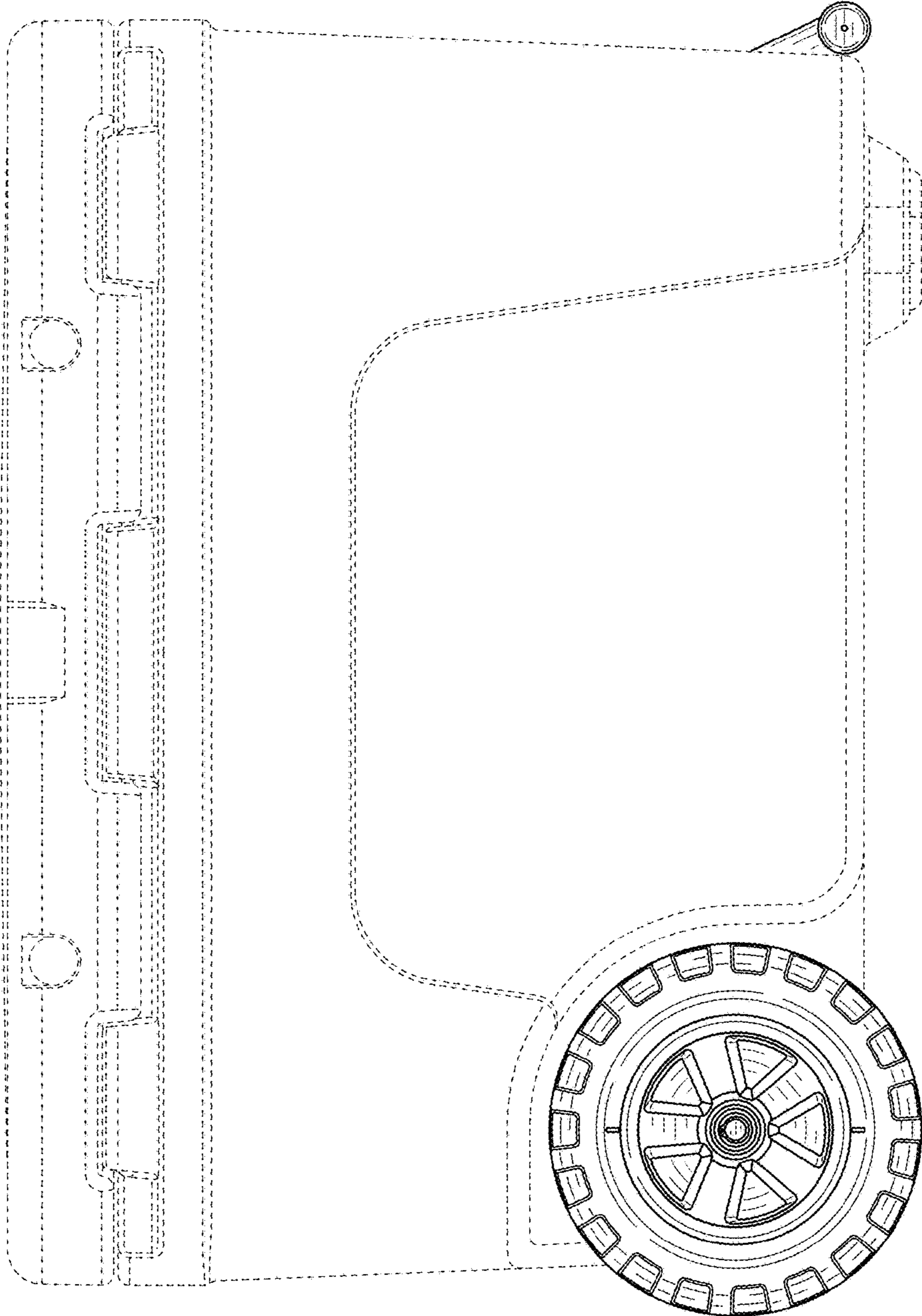


FIG. 4

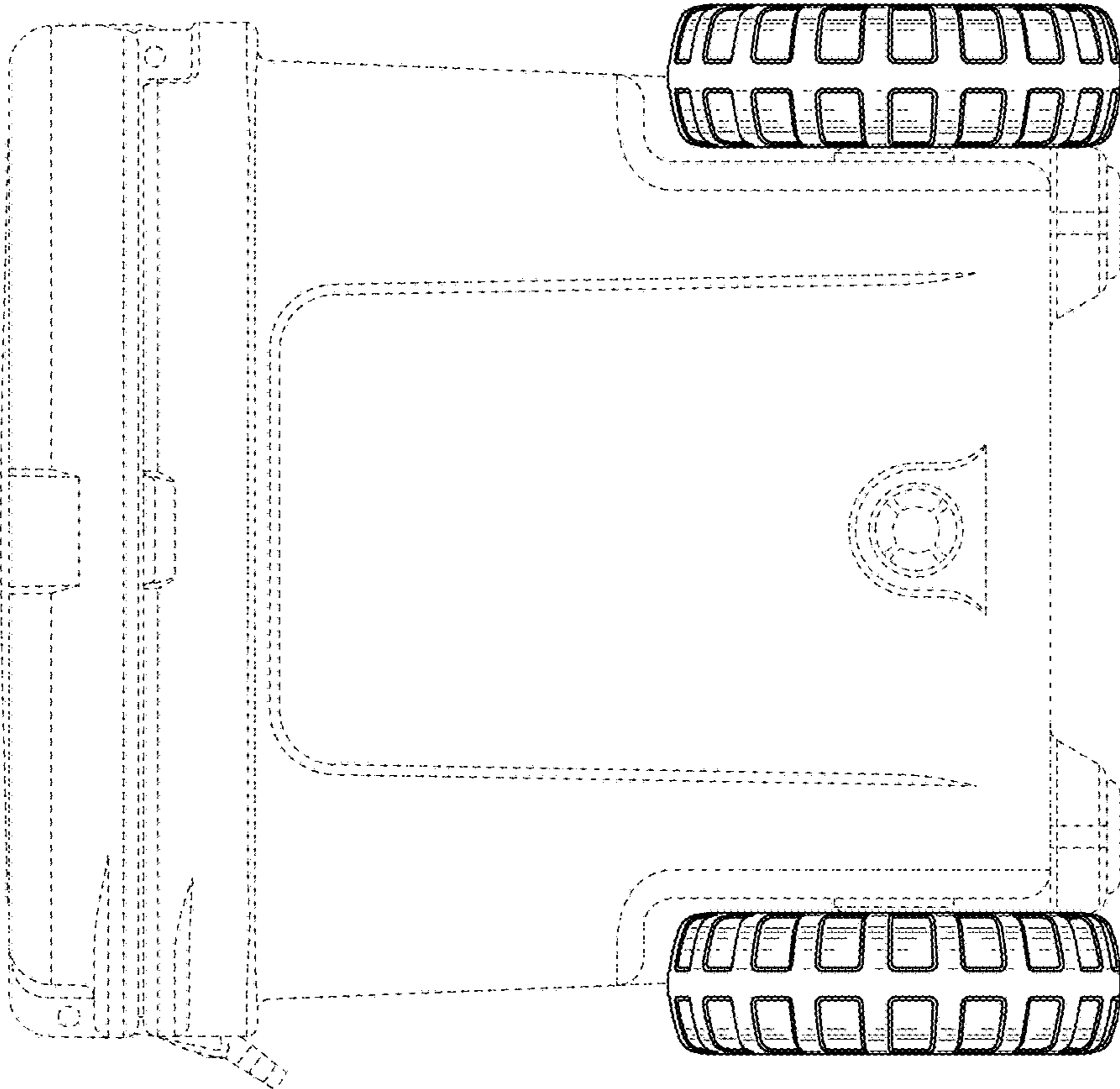


FIG. 5

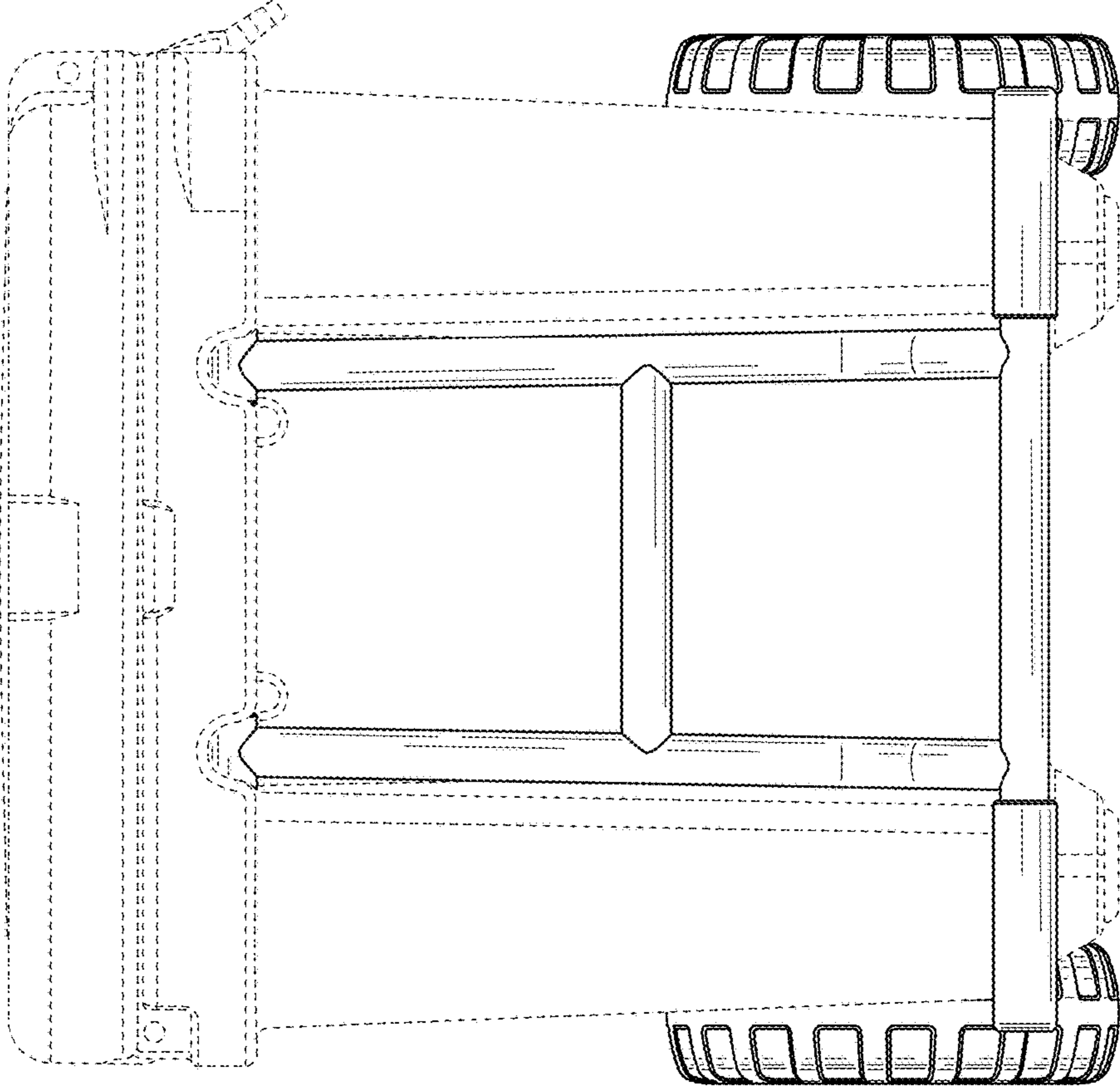


FIG. 6

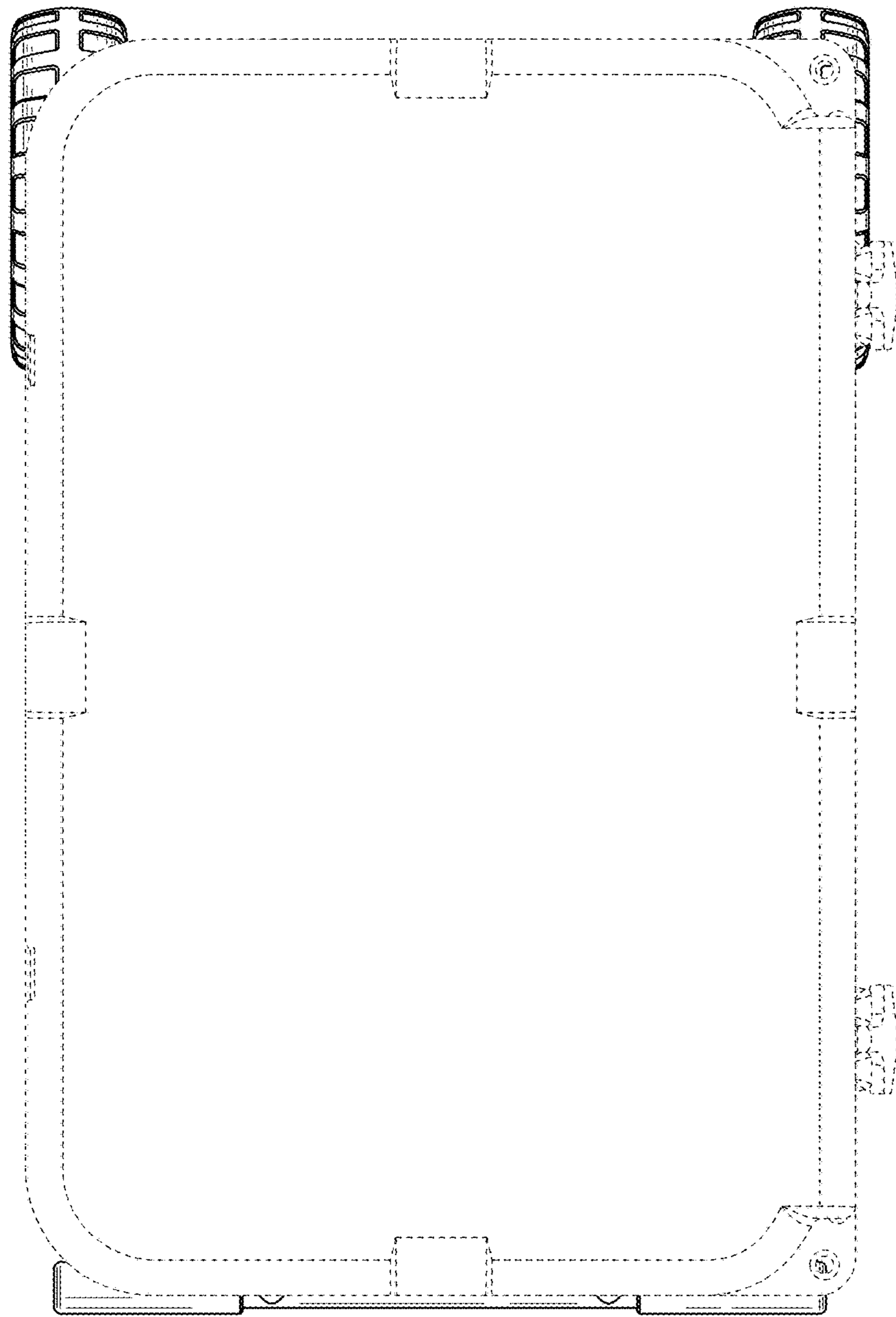


FIG. 7

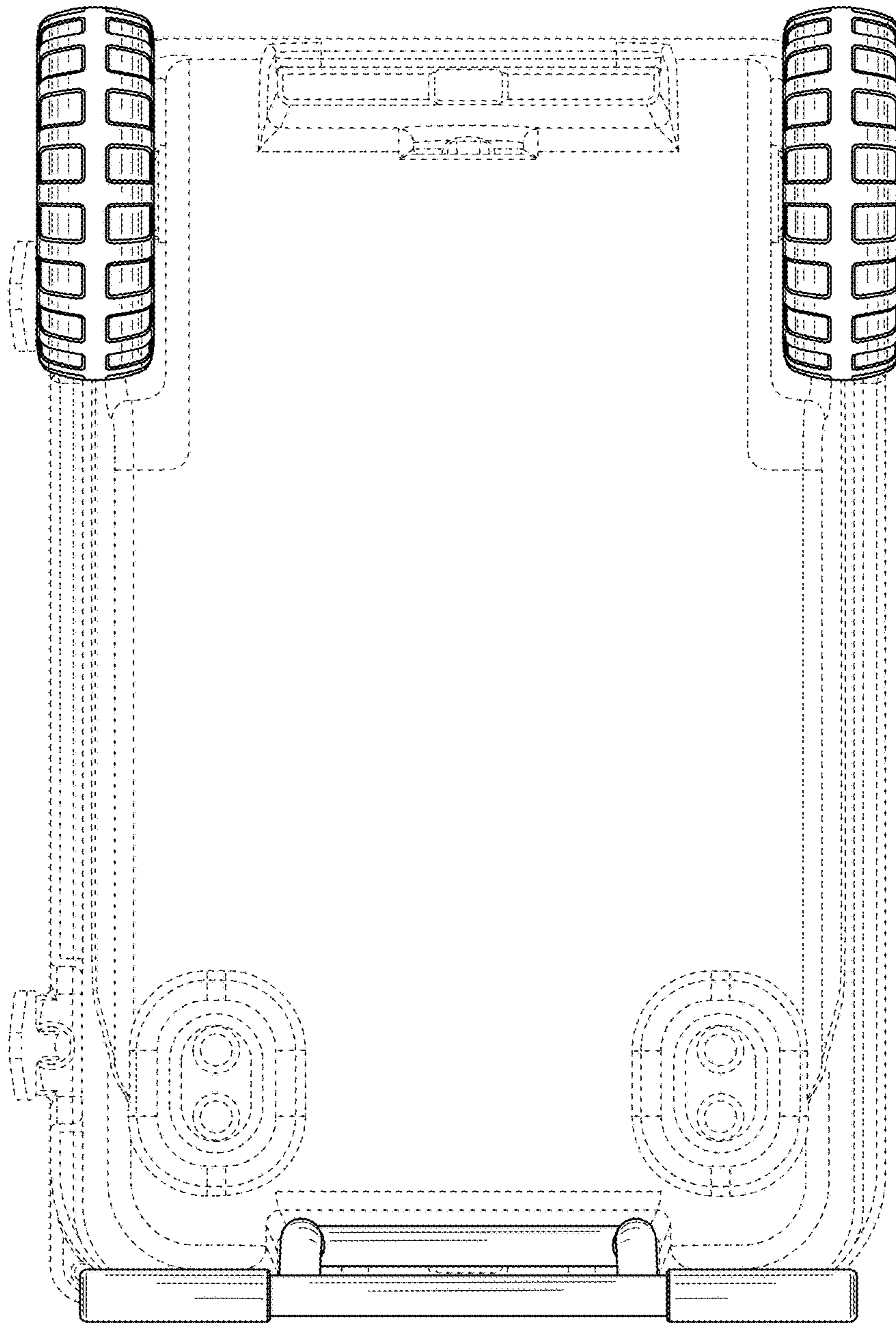


FIG. 8

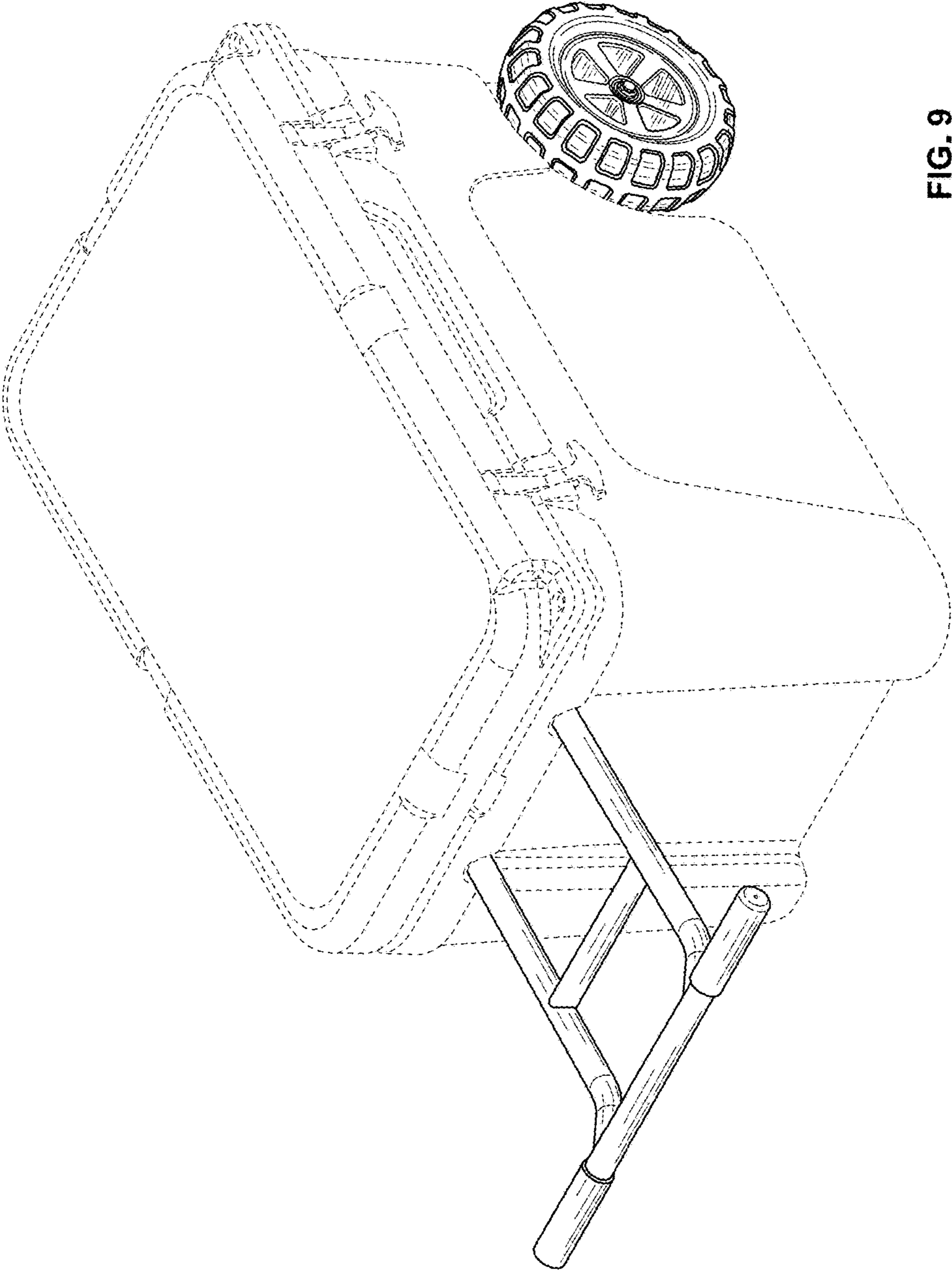


FIG. 9

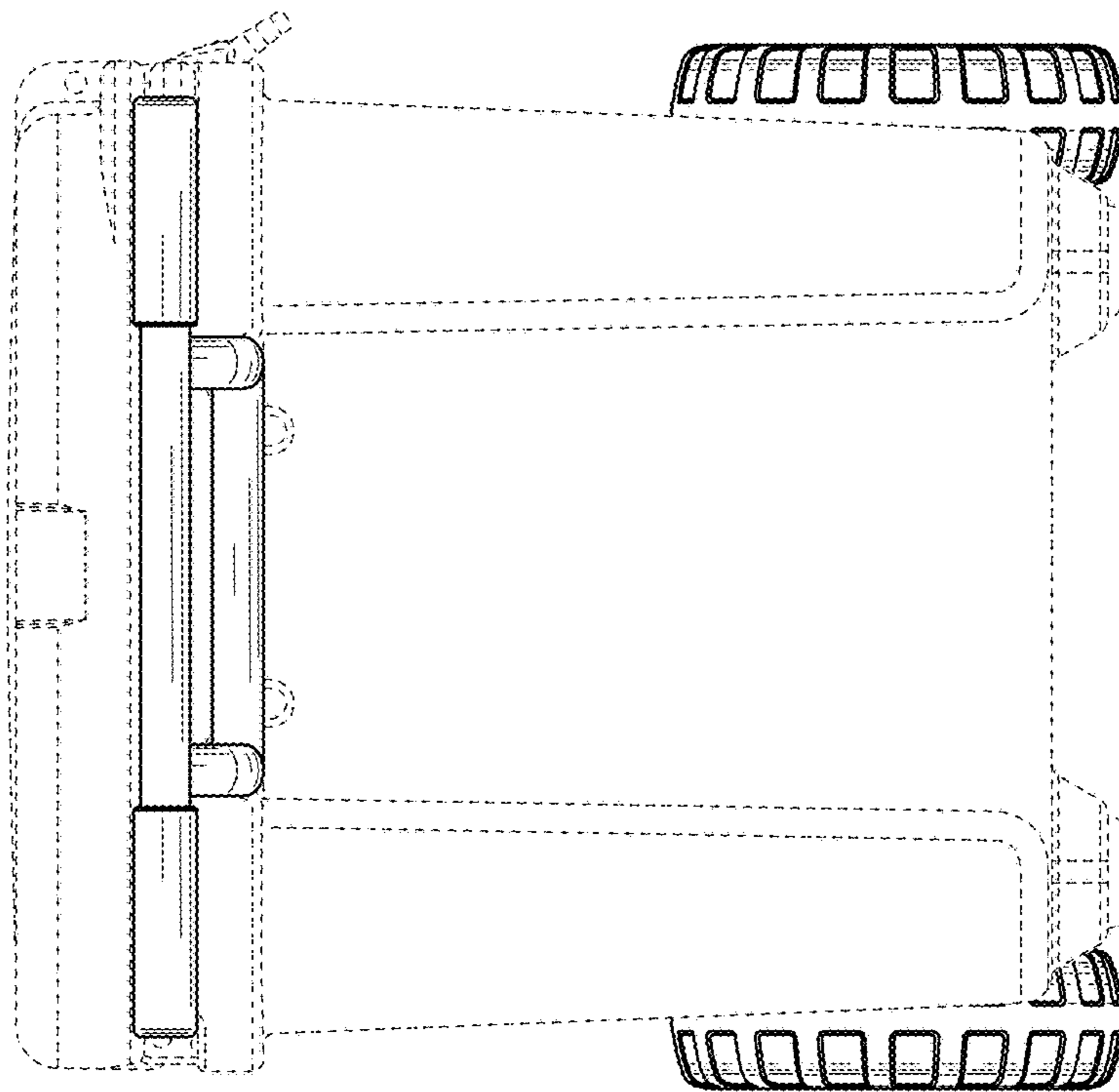


FIG. 10

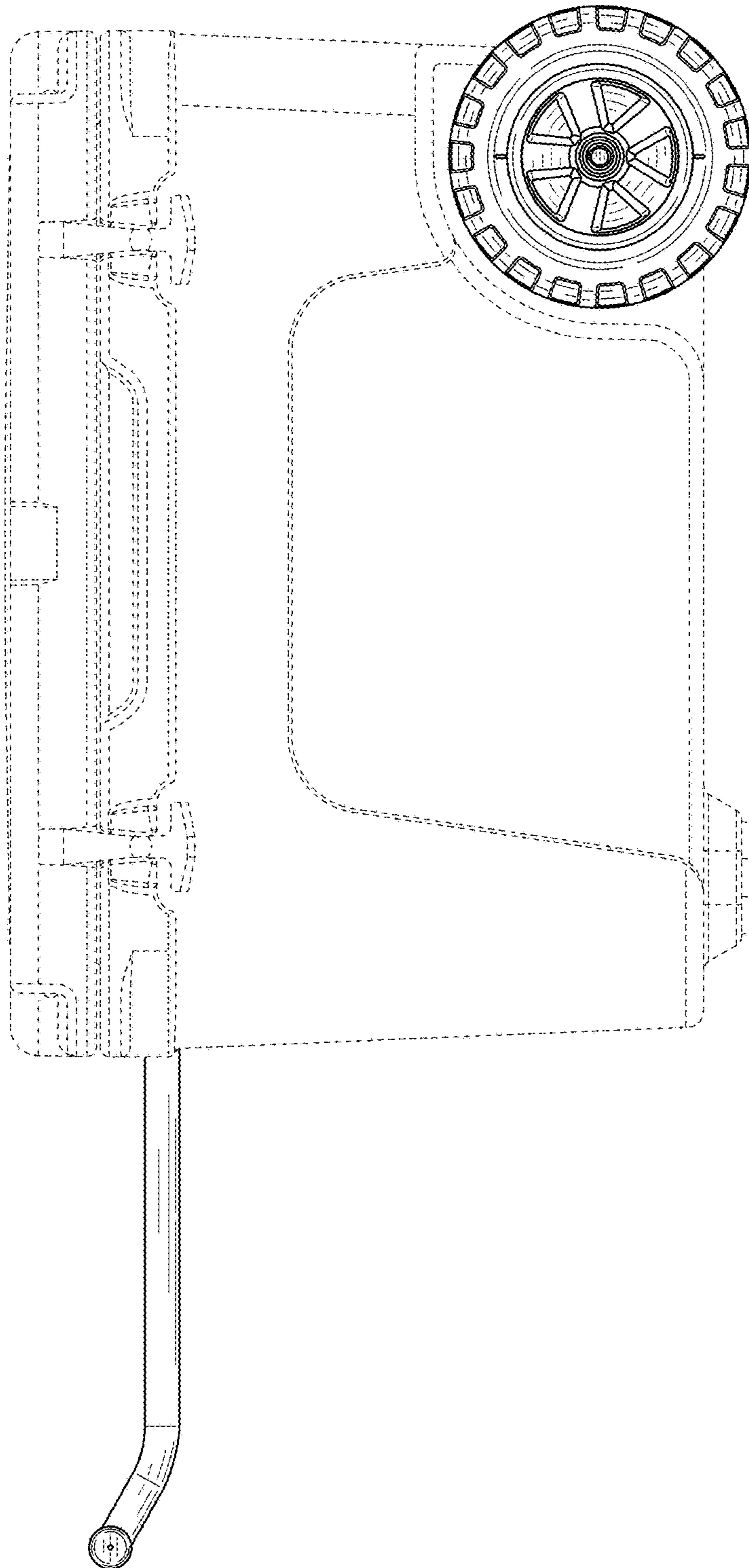


FIG. 11