



US00D863890S

(12) **United States Design Patent** (10) **Patent No.:** **US D863,890 S**  
**Norell** (45) **Date of Patent:** **\*\* Oct. 22, 2019**

(54) **SUSHI SERVING DEVICE WITH INTEGRATED SAUCE DISH**

*Primary Examiner* — Kelley A Donnelly  
(74) *Attorney, Agent, or Firm* — Austin Rapp

(71) Applicant: **Long Life Ahead LLC**, Whittier, CA (US)

(57) **CLAIM**

The ornamental design for a sushi serving device with integrated sauce dish, as shown and described.

(72) Inventor: **Todd Christopher Norell**, Whittier, CA (US)

**DESCRIPTION**

(73) Assignee: **Long Life Ahead LLC**, Whittier, CA (US)

FIG. 1 is a first top perspective view of a first embodiment of a sushi serving device with integrated sauce dish, according to my new design;

(\*\*) Term: **15 Years**

FIG. 2 is a second top perspective view of the sushi serving device with integrated sauce dish shown in FIG. 1;

(21) Appl. No.: **29/655,974**

FIG. 3 is a bottom perspective view of the sushi serving device with integrated sauce dish shown in FIG. 1;

(22) Filed: **Jul. 9, 2018**

FIG. 4 is a left side elevational view of the sushi serving device with integrated sauce dish shown in FIG. 1;

(51) **LOC (12) Cl.** ..... **07-01**

FIG. 5 is a right side elevational view of the sushi serving device with integrated sauce dish shown in FIG. 1;

(52) **U.S. Cl.**

USPC ..... **D7/553.5**

FIG. 6 is a top side view of the sushi serving device with integrated sauce dish shown in FIG. 1;

(58) **Field of Classification Search**  
USPC ..... D7/396.1, 396.4, 550.1, 552.2, 553.1,  
D7/553.2, 553.5, 554.3; D9/716, 719,  
D9/738–740, 761

FIG. 7 is a bottom side view of the sushi serving device with integrated sauce dish shown in FIG. 1;

(Continued)

FIG. 8 is a front side elevational view of the sushi serving device with integrated sauce dish shown in FIG. 1; and

(56) **References Cited**

**U.S. PATENT DOCUMENTS**

D247,765 S \* 4/1978 Pariente ..... D7/552.1  
5,918,550 A \* 7/1999 Weir ..... A47B 5/06  
108/152

FIG. 9 is a rear side elevational view of the sushi serving device with integrated sauce dish shown in FIG. 1.

(Continued)

FIG. 10 is a first top perspective view of a second embodiment of a sushi serving device with integrated sauce dish, according to my new design;

**OTHER PUBLICATIONS**

Amazon, Bamboo Sushi Board Set 6 inch by 9-1/2 inch Set-Green, catalog [online] [retrieved Jun. 29, 2018], available at least by Jun. 29, 2018, Retrieved from the Internet: <URL: [https://www.amazon.com/Bamboo-Sushi-Board-inch-Set-Green/dp/B00AG3G210/ref=sr\\_1\\_49?ie=UTF8&qid=1529782070&sr=8-49&keywords=sushi=geta](https://www.amazon.com/Bamboo-Sushi-Board-inch-Set-Green/dp/B00AG3G210/ref=sr_1_49?ie=UTF8&qid=1529782070&sr=8-49&keywords=sushi=geta)> (shown in attachment 1).

FIG. 11 is a top perspective, enlarged view of the region 11 of FIG. 10;

(Continued)

FIG. 12 is a second top perspective view of the sushi serving device with integrated sauce dish shown in FIG. 10;

FIG. 13 is a bottom perspective view of the sushi serving device with integrated sauce dish shown in FIG. 10;

FIG. 14 is a left side elevational view of the sushi serving device with integrated sauce dish shown in FIG. 10;

FIG. 15 is a right side elevational view of the sushi serving device with integrated sauce dish shown in FIG. 10;

FIG. 16 is a top side view of the sushi serving device with integrated sauce dish shown in FIG. 10;

(Continued)

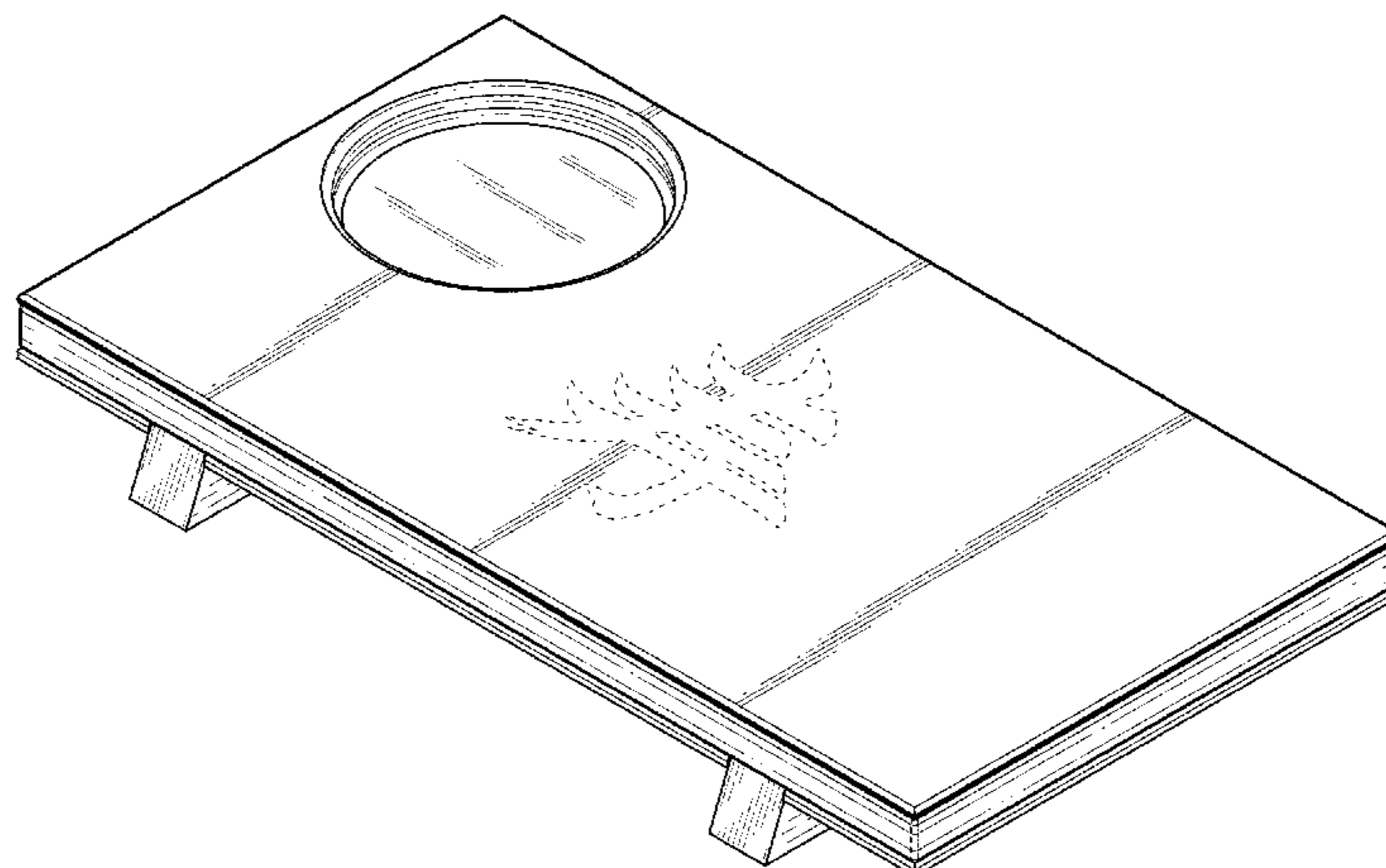


FIG. 17 is a bottom side view of the sushi serving device with integrated sauce dish shown in FIG. 10;

FIG. 18 is a front side elevational view of the sushi serving device with integrated sauce dish shown in FIG. 10; and,

FIG. 19 is a rear side elevational view of the sushi serving device with integrated sauce dish shown in FIG. 10.

The broken lines in FIGS. 1, 2 and 6 illustrate an unclaimed design feature of the sushi serving device with integrated sauce dish and form no part of the claimed design.

8,167,129	B2 *	5/2012	Hatcher	.....	A47G 23/06 206/564
D675,071	S *	1/2013	Kramer	.....	D7/698
D683,980	S *	6/2013	Johnson	.....	D6/406.3
D712,204	S *	9/2014	Hatcher	.....	D7/553.5
D745,442	S *	12/2015	McCuen	.....	D12/133
D751,865	S *	3/2016	Harris	.....	D7/553.2
D802,379	S *	11/2017	Raphael	.....	D7/698
D813,610	S *	3/2018	Dekutoski, Jr.	.....	D7/553.5
D836,991	S *	1/2019	Wansink	.....	D7/553.5
D845,078	S *	4/2019	Hyman	.....	D7/553.1

**1 Claim, 19 Drawing Sheets**

(58) **Field of Classification Search**

CPC . B65D 1/34; B65D 1/36; A47G 23/00; A47G 23/06; A47B 23/00; A47B 31/00

See application file for complete search history.

(56) **References Cited**

U.S. PATENT DOCUMENTS

D423,290	S *	4/2000	Green	.....	D6/406.1
6,745,702	B2 *	6/2004	Goldberg	.....	B65F 1/10 108/24
D510,481	S *	10/2005	Hodgson	.....	D3/304
7,073,449	B2 *	7/2006	Pipkin	.....	A47B 23/00 108/25
D527,953	S *	9/2006	Le Gal	.....	D7/552.1
D545,523	S *	6/2007	Goldberg	.....	D34/11
D605,908	S *	12/2009	Pearl	.....	D7/698
D653,083	S *	1/2012	Hatcher	.....	D7/553.5

OTHER PUBLICATIONS

Amazon, JapanBargain S-4090, Bamboo Sushi Geta Serving Plate, 9.75" L x 6" W, Large, catalog [online] [retrieved Jun. 29, 2018], apparently published on or before Mar. 31, 2013, Retrieved from the Internet: <URL: [https://www.amazon.com/dp/B071JT53L9/ref=sspa\\_dk\\_detail\\_2?psc=1&pd\\_rd\\_i=B071JT53L9&pd\\_rd\\_wg=bxiZc&pd\\_rd\\_r=Z0VNMN83SQEQ27CT3P2W&pd\\_rd\\_w=droaf](https://www.amazon.com/dp/B071JT53L9/ref=sspa_dk_detail_2?psc=1&pd_rd_i=B071JT53L9&pd_rd_wg=bxiZc&pd_rd_r=Z0VNMN83SQEQ27CT3P2W&pd_rd_w=droaf)> (shown in attachment 2).

Amazon, Natural Bamboo Sushi Geta, catalog [online] [retrieved Jun. 29, 2018], available at least by Jun. 29, 2018, Retrieved from the Internet: <URL: [https://www.amazon.com/TableTop-King-NATURAL-BAMBOO-SUSHI/dp/B0756K25ZX/ref=sr\\_1\\_37?ie=UTF8&qid=1529782070&sr=8-37&keywords=sushi+geta](https://www.amazon.com/TableTop-King-NATURAL-BAMBOO-SUSHI/dp/B0756K25ZX/ref=sr_1_37?ie=UTF8&qid=1529782070&sr=8-37&keywords=sushi+geta)> (shown in attachment 3).

Amazon, Sushi Bamboo Board Set with 2 Sauce Plate , 2 chopstick—Blue, catalog [online] [retrieved Jul. 9, 2018], available at least by Jul. 9, 2018, Retrieved from the Internet: <URL: [https://www.amazon.com/Sushi-Bamboo-Board-Sauce-chopstick/dp/B00AG3CFQI/ref=sr\\_1\\_39?ie=UTF8&qid=1531180004&sr=8-39&keywords=sushi+geta](https://www.amazon.com/Sushi-Bamboo-Board-Sauce-chopstick/dp/B00AG3CFQI/ref=sr_1_39?ie=UTF8&qid=1531180004&sr=8-39&keywords=sushi+geta)> (shown in attachment 4).

\* cited by examiner



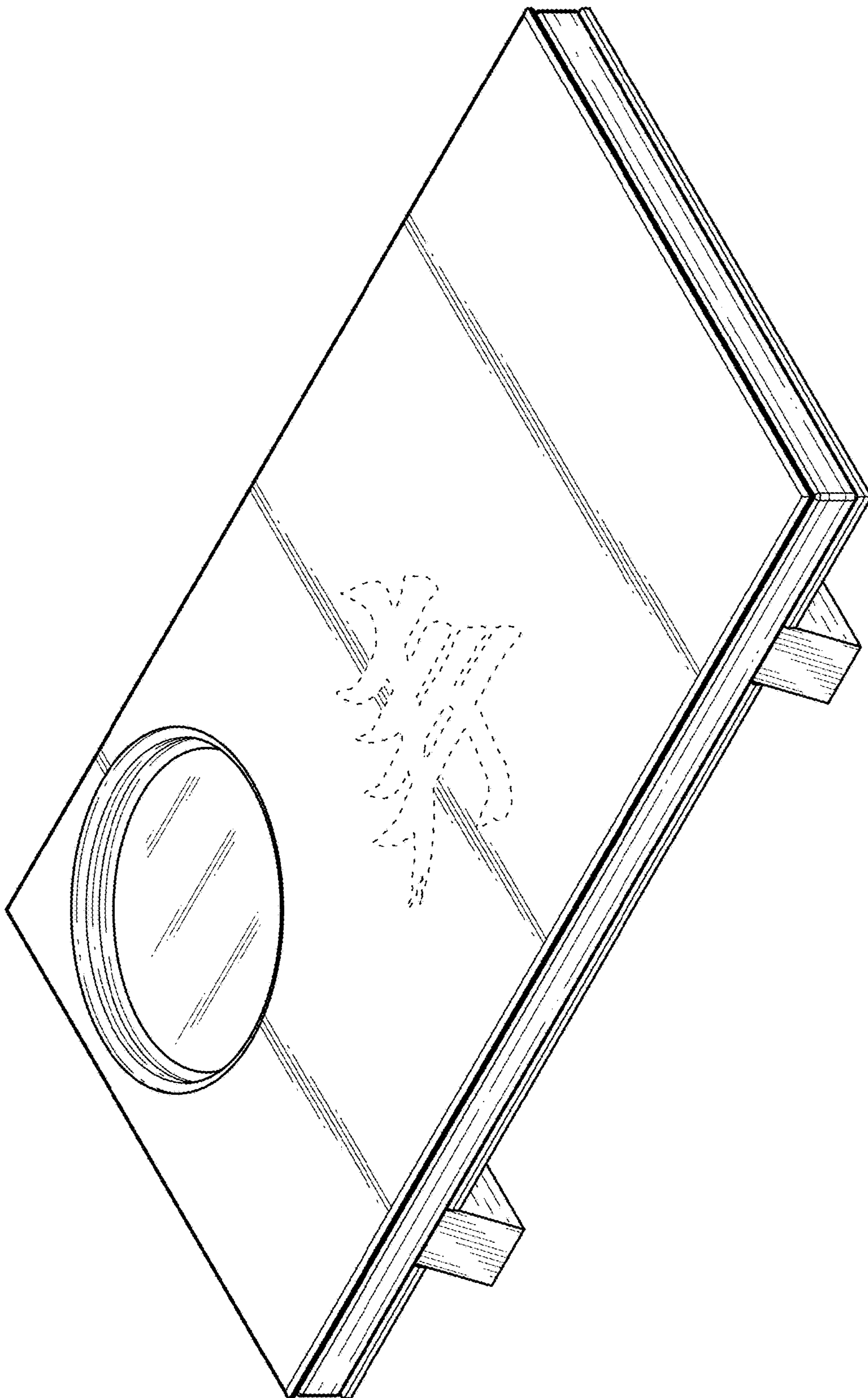


FIG. 1

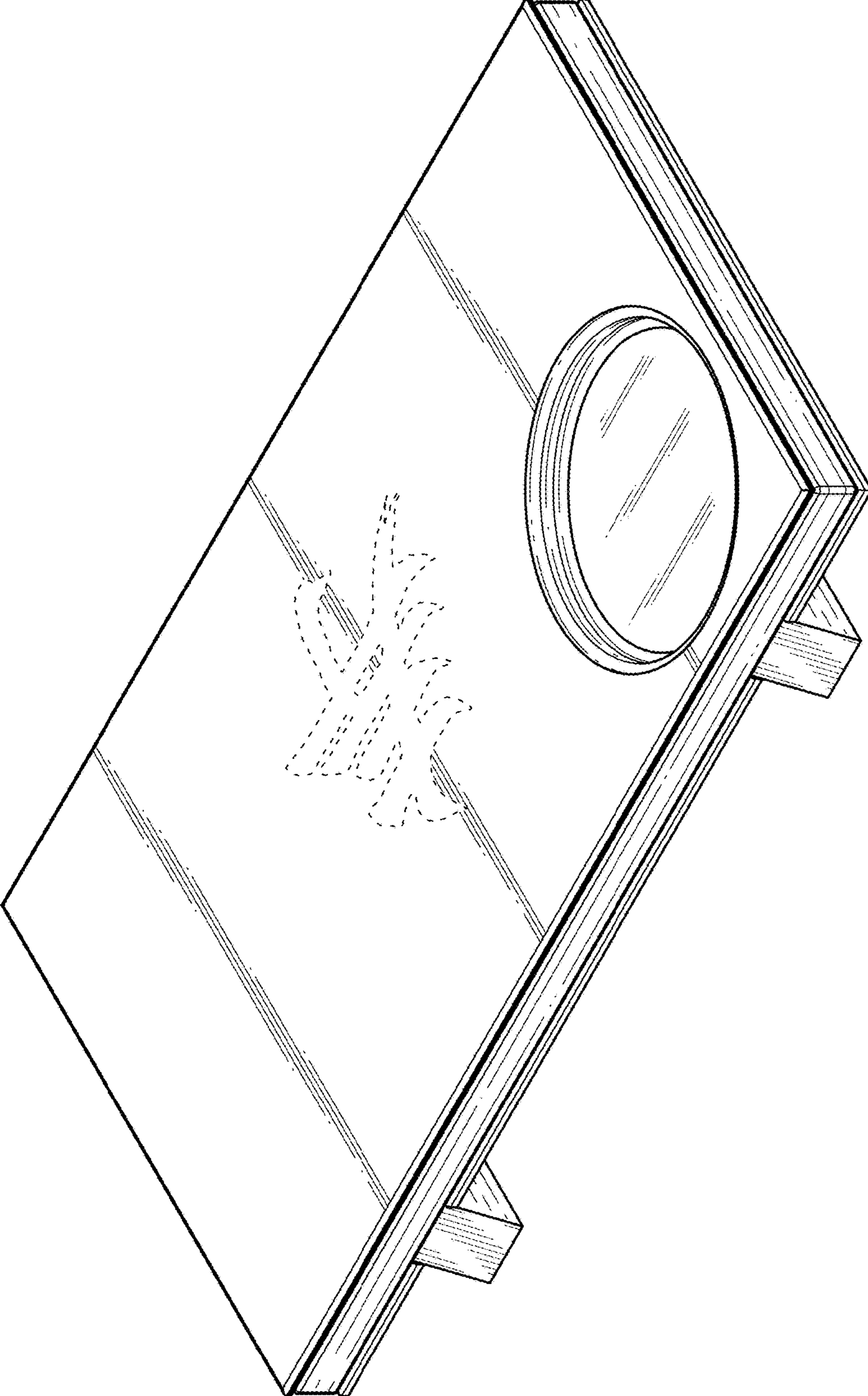


FIG. 2

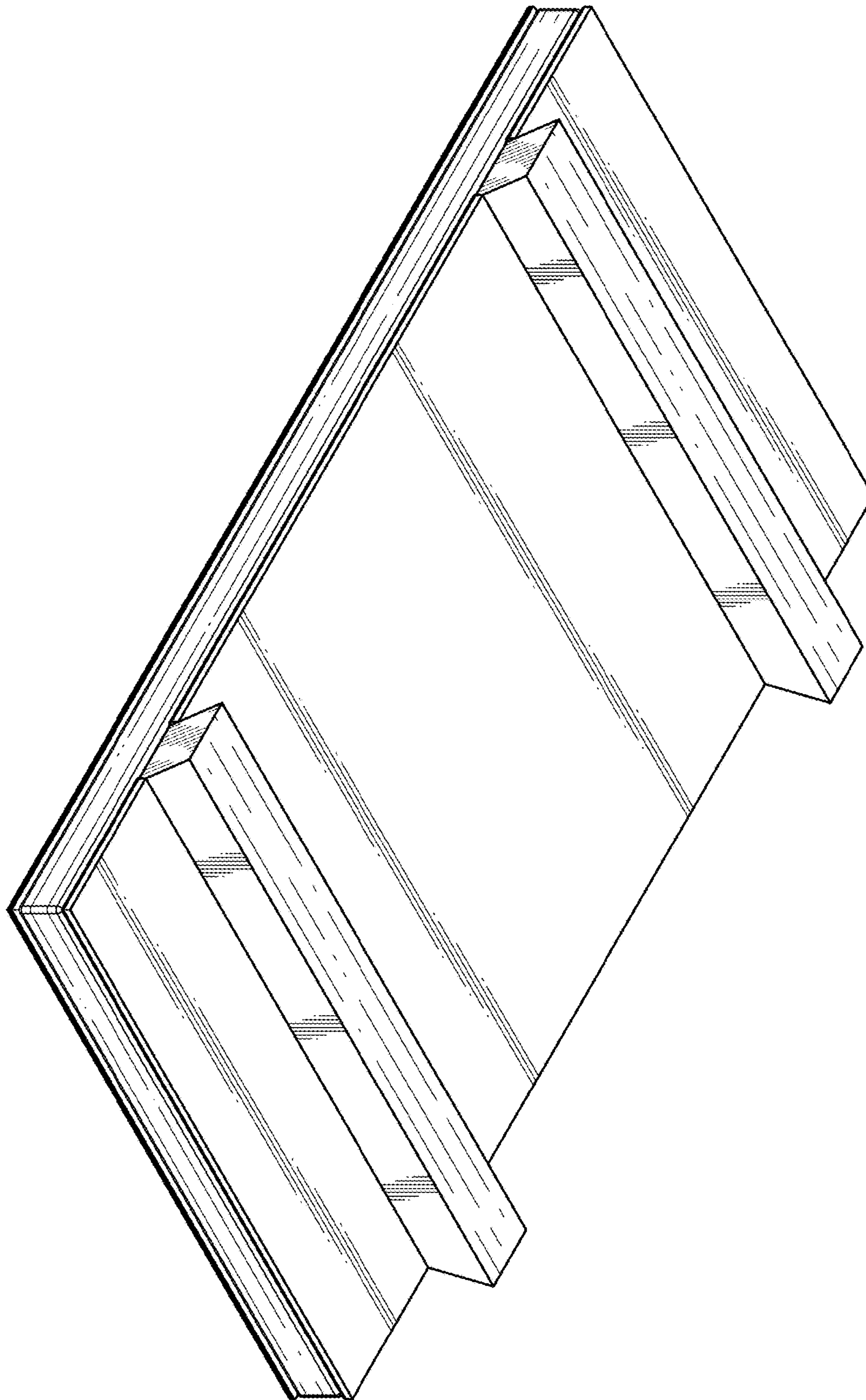


FIG. 3

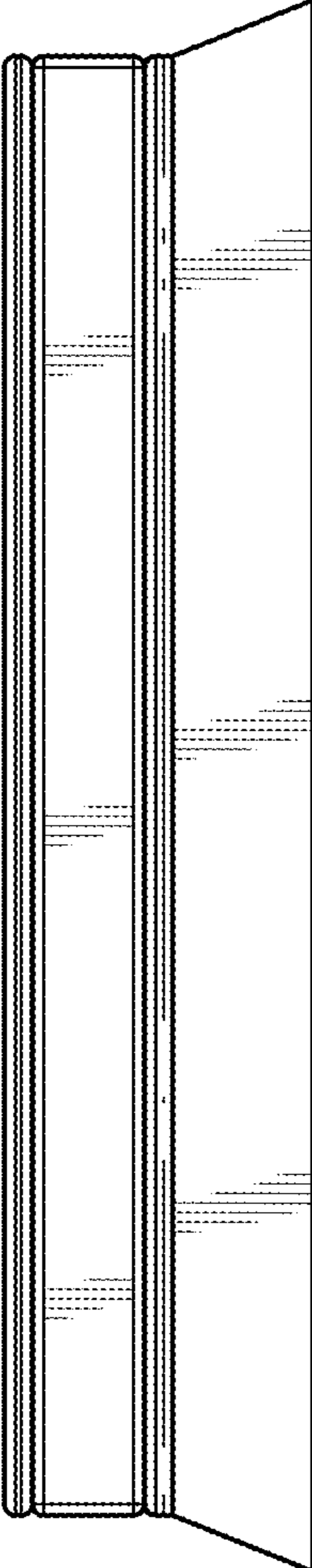


FIG. 4



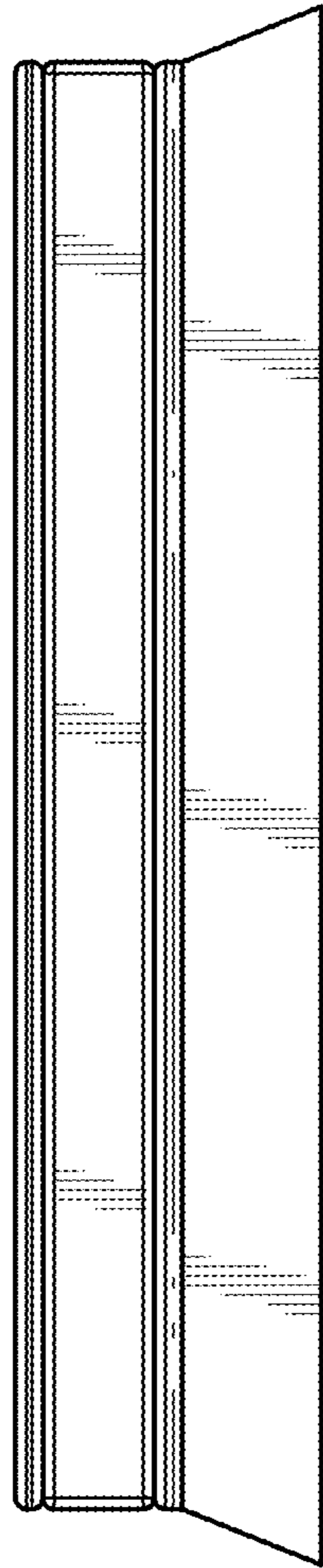


FIG. 5

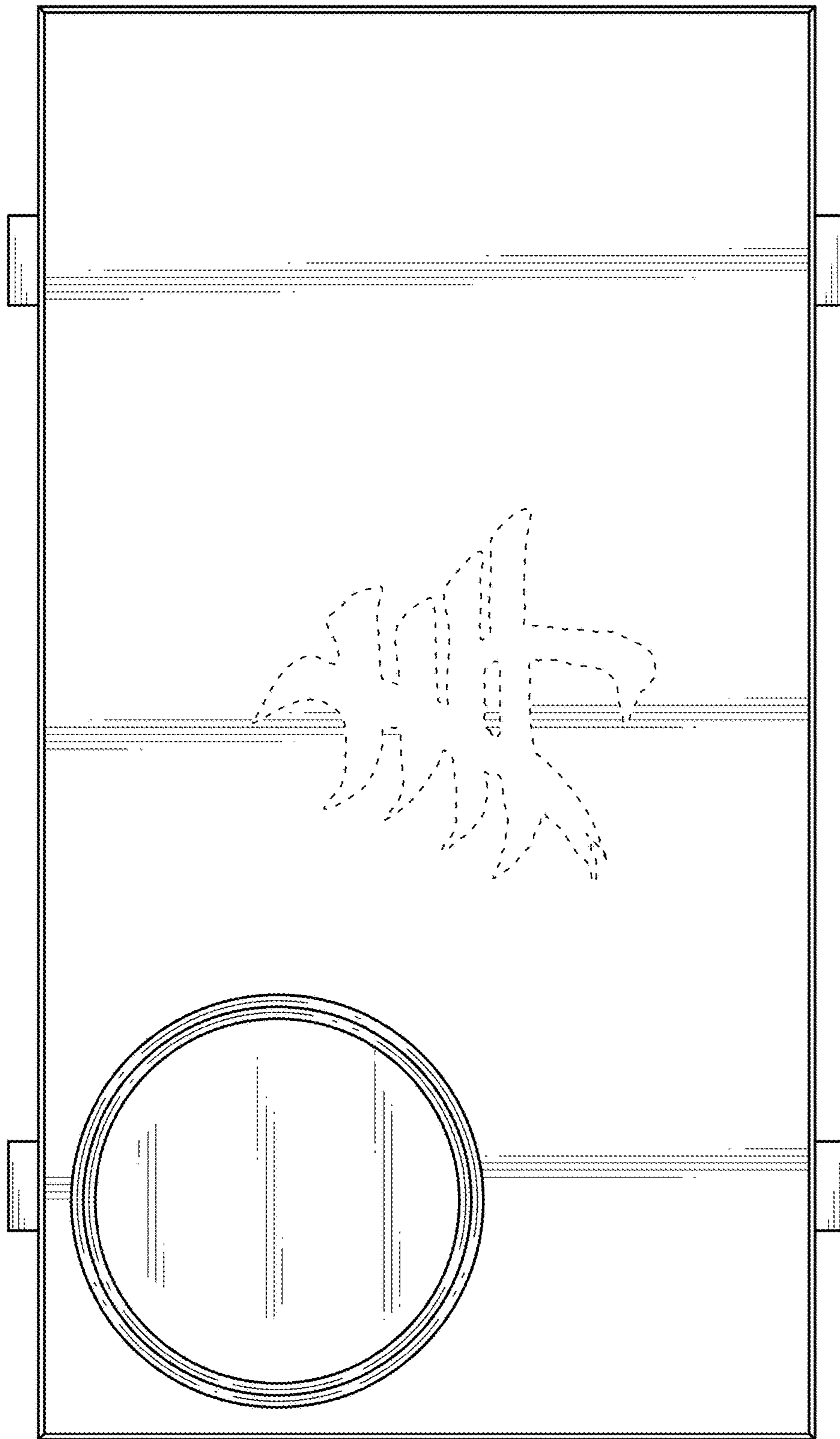


FIG. 6



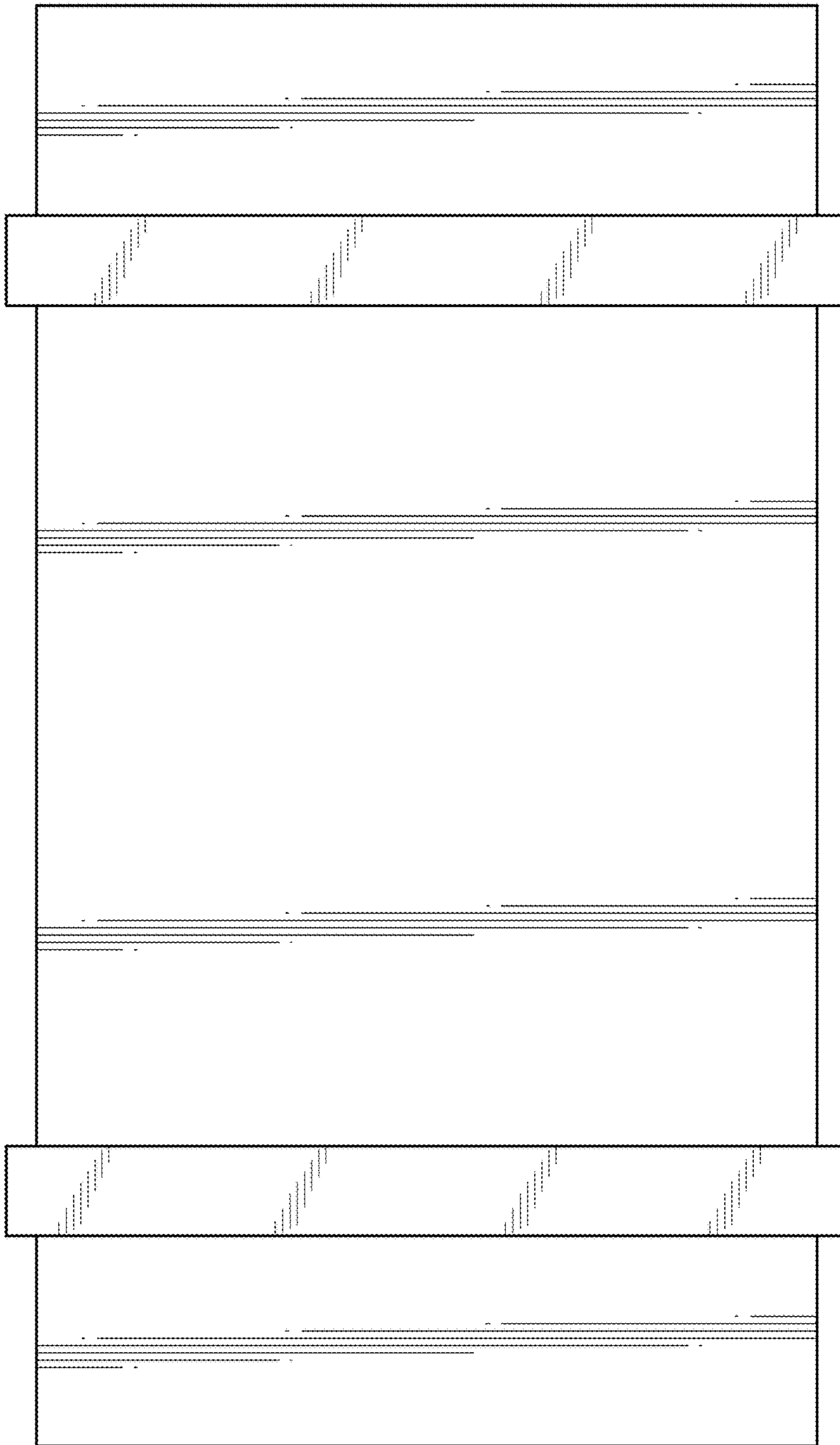


FIG. 7



FIG. 8

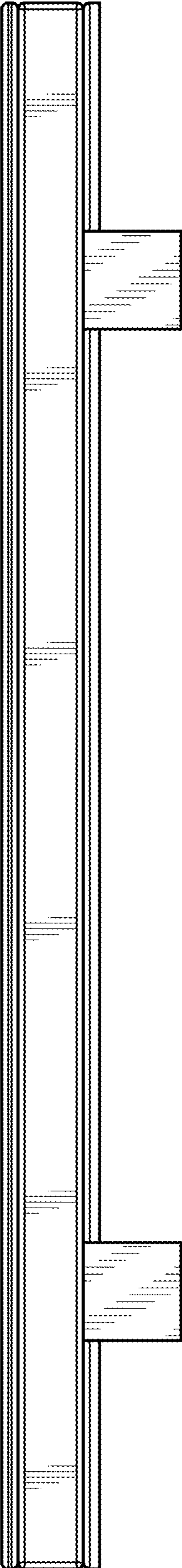


FIG. 9

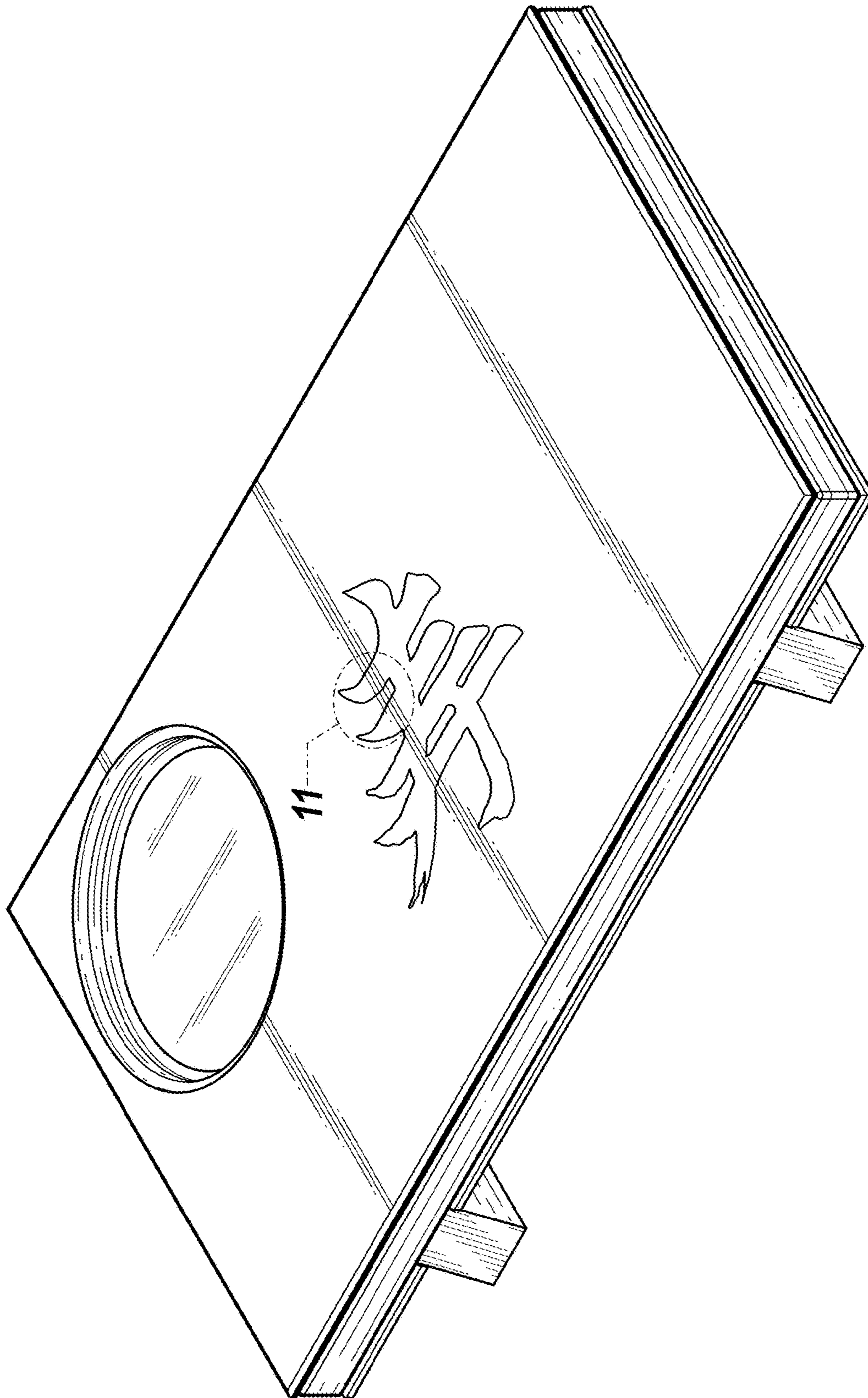


FIG. 10



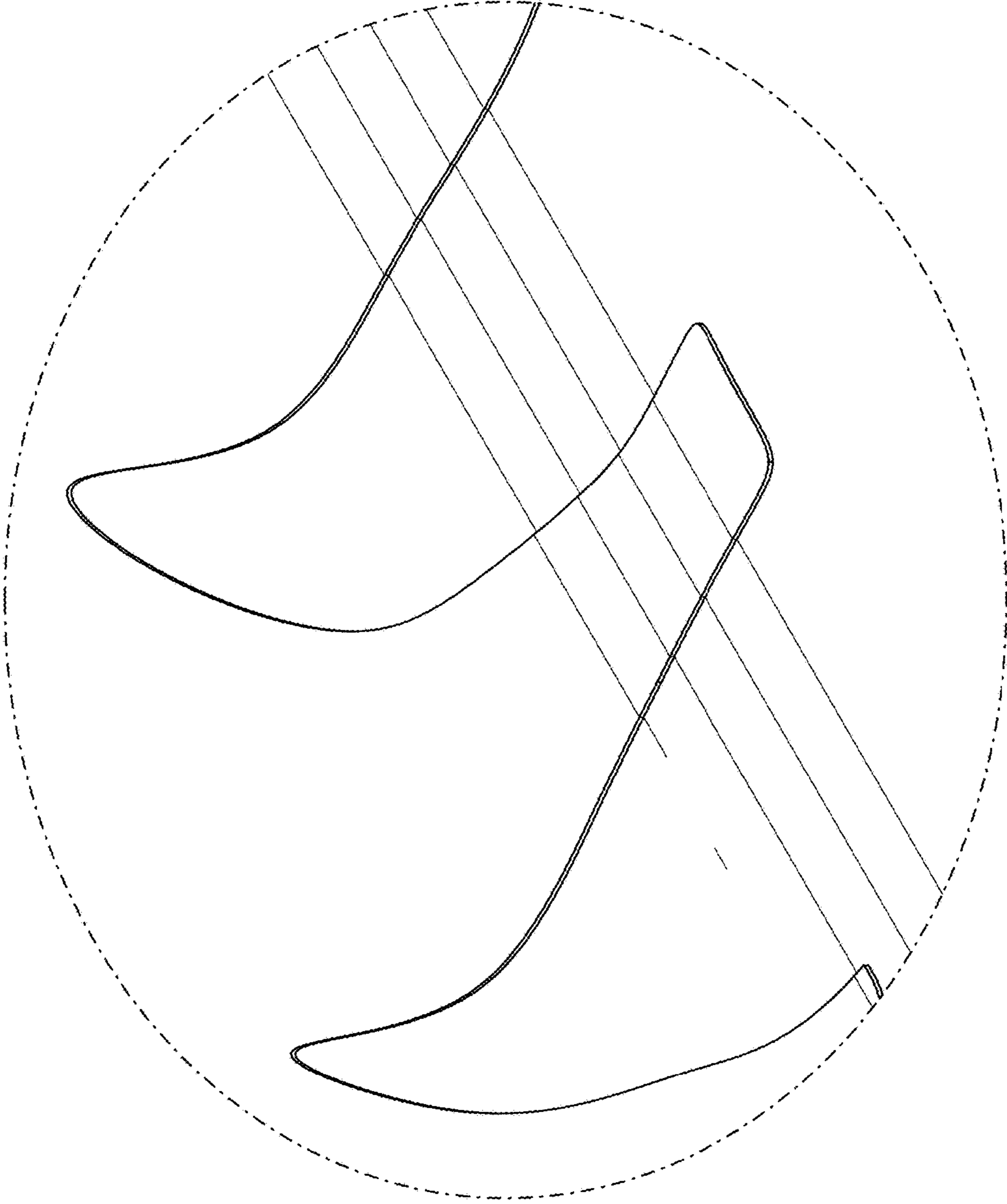


FIG. 11

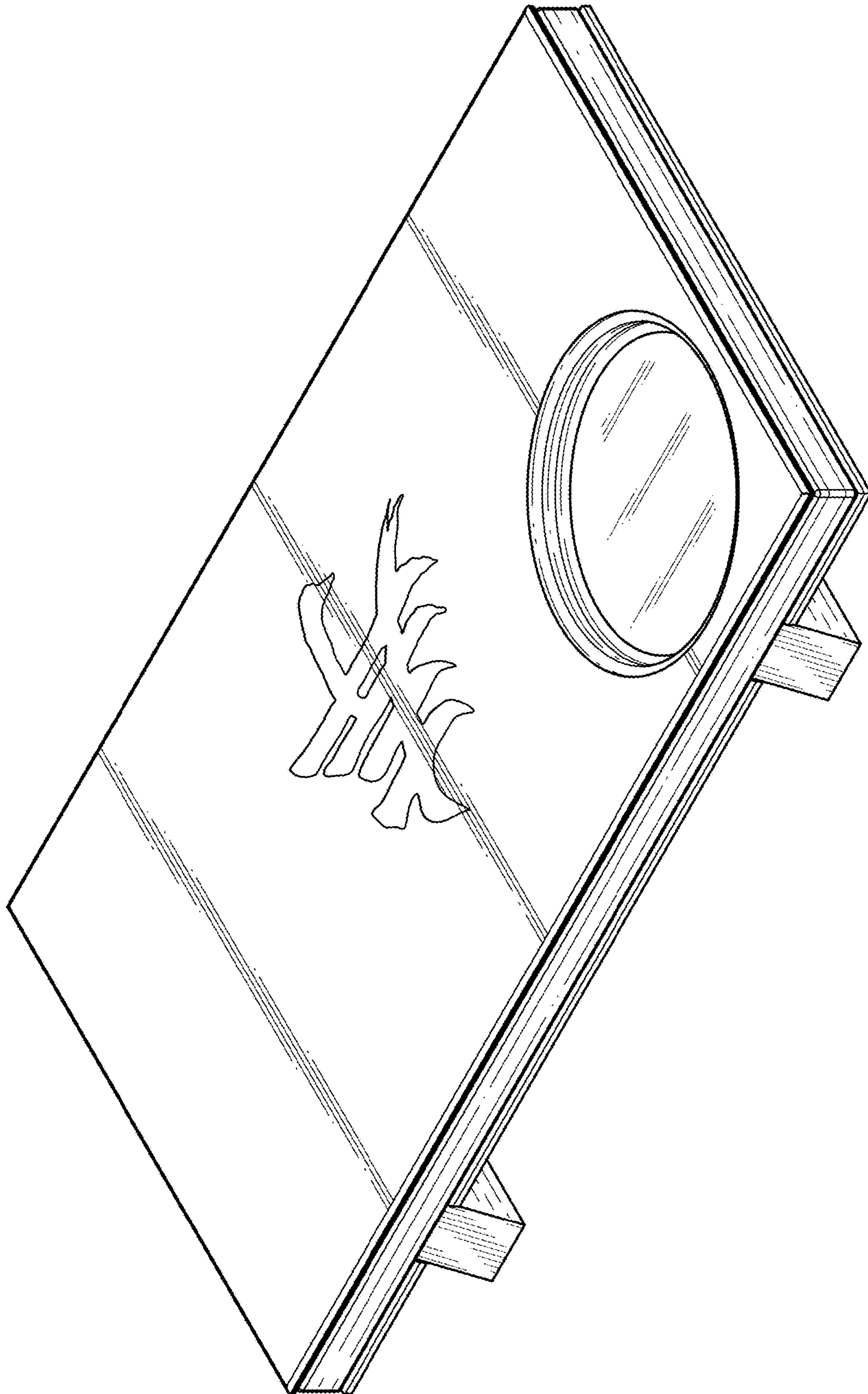


FIG. 12

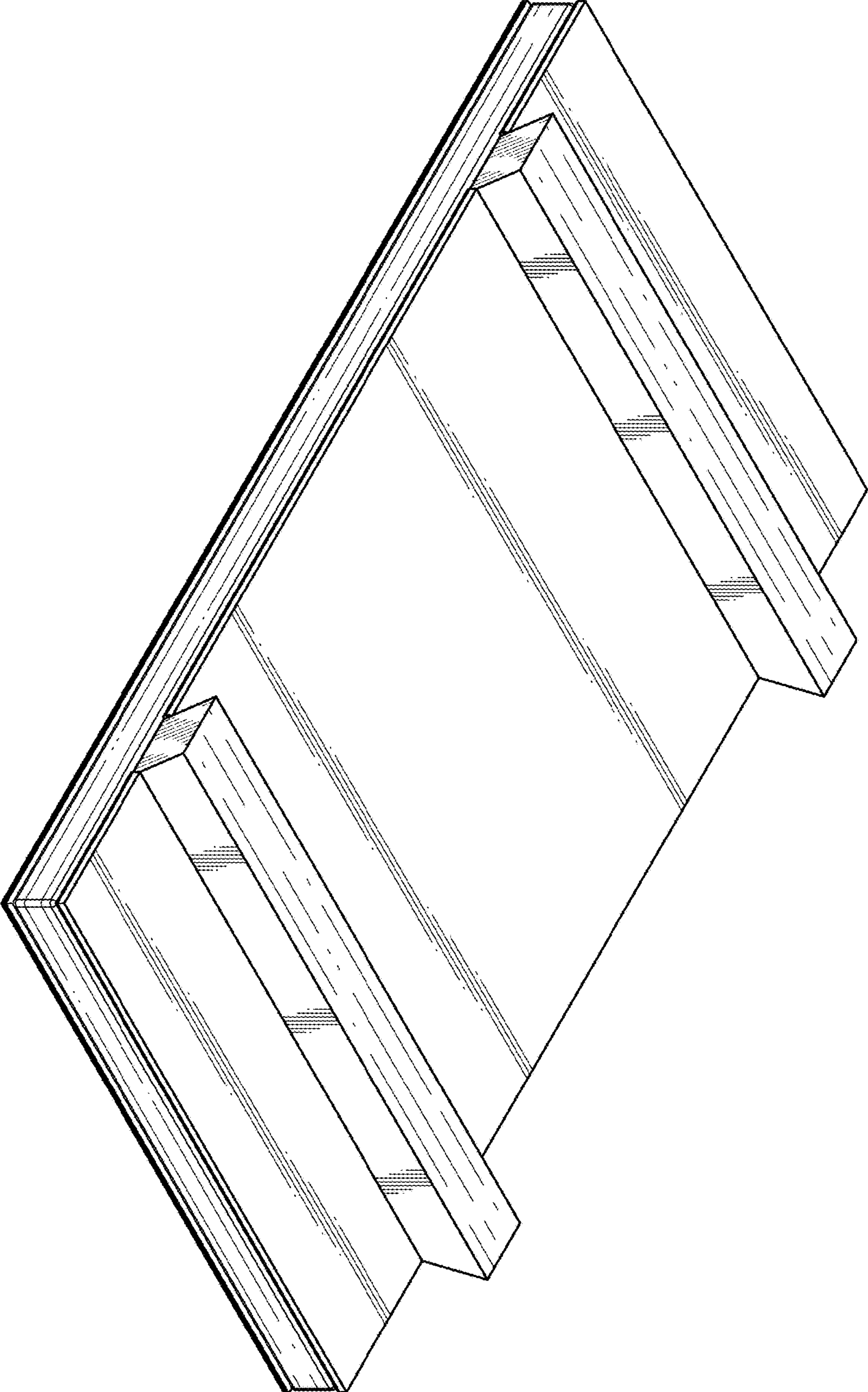


FIG. 13

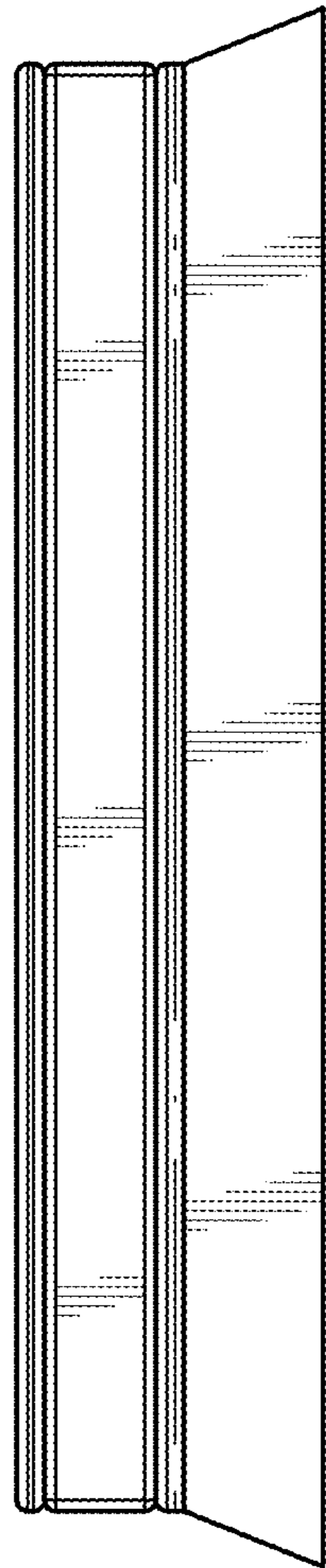


FIG. 14



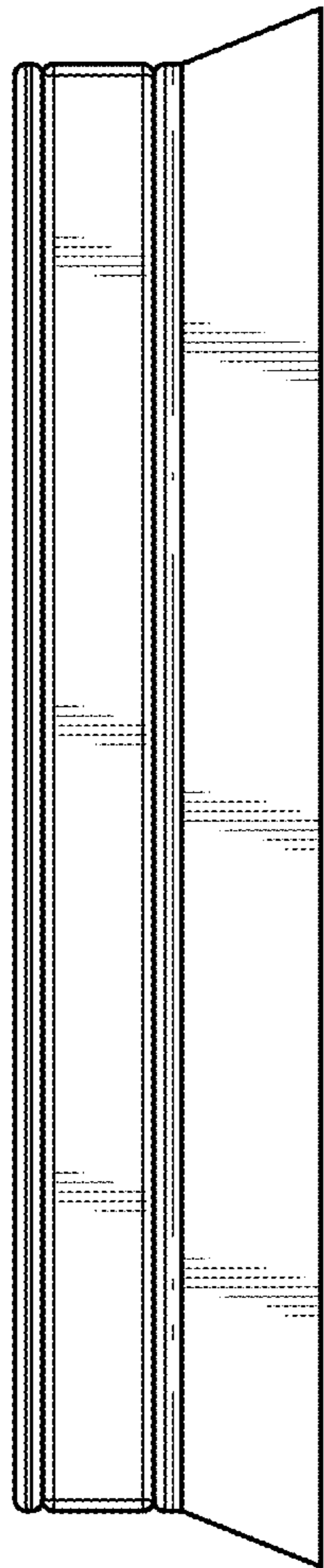


FIG. 15

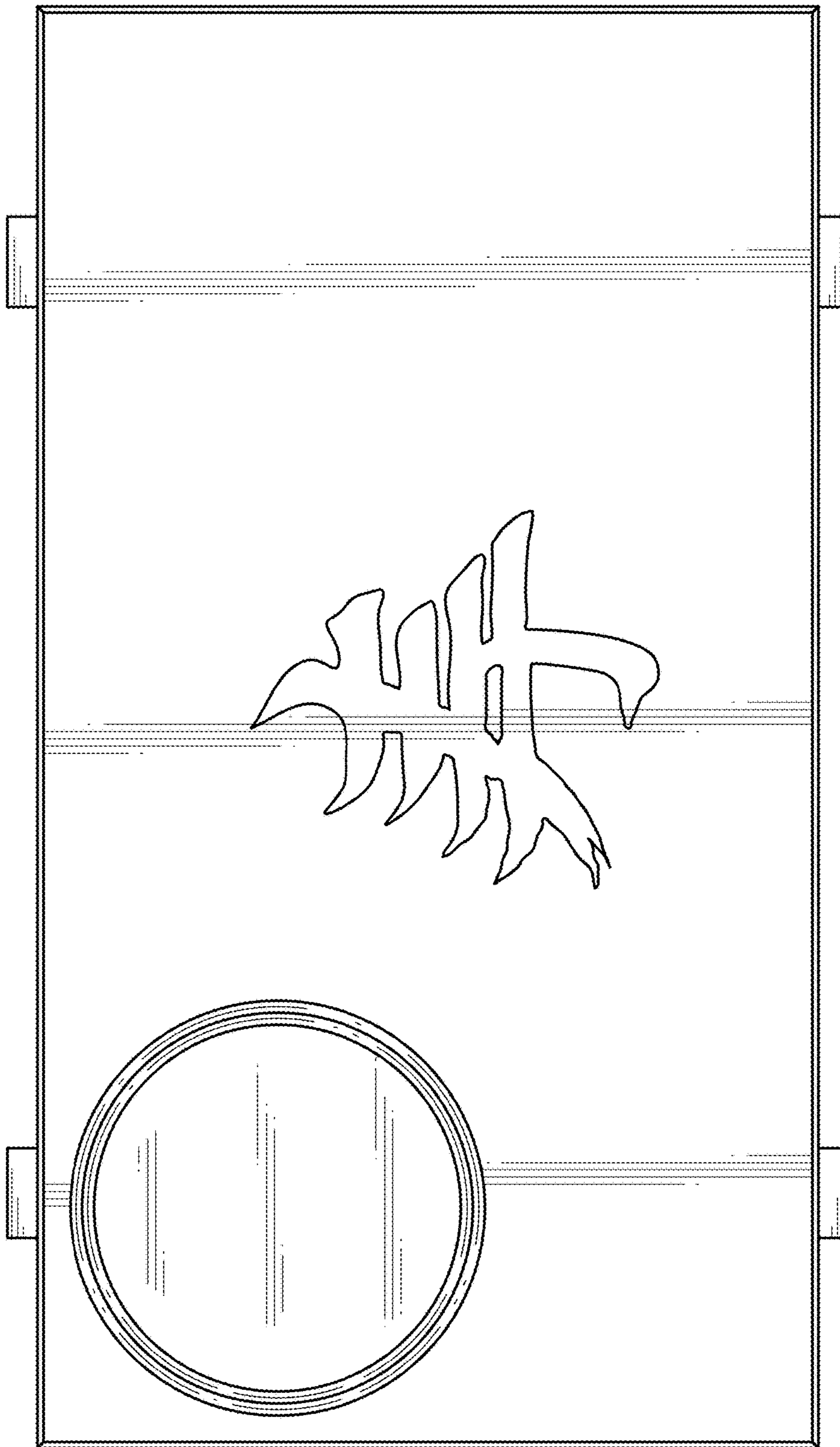


FIG. 16

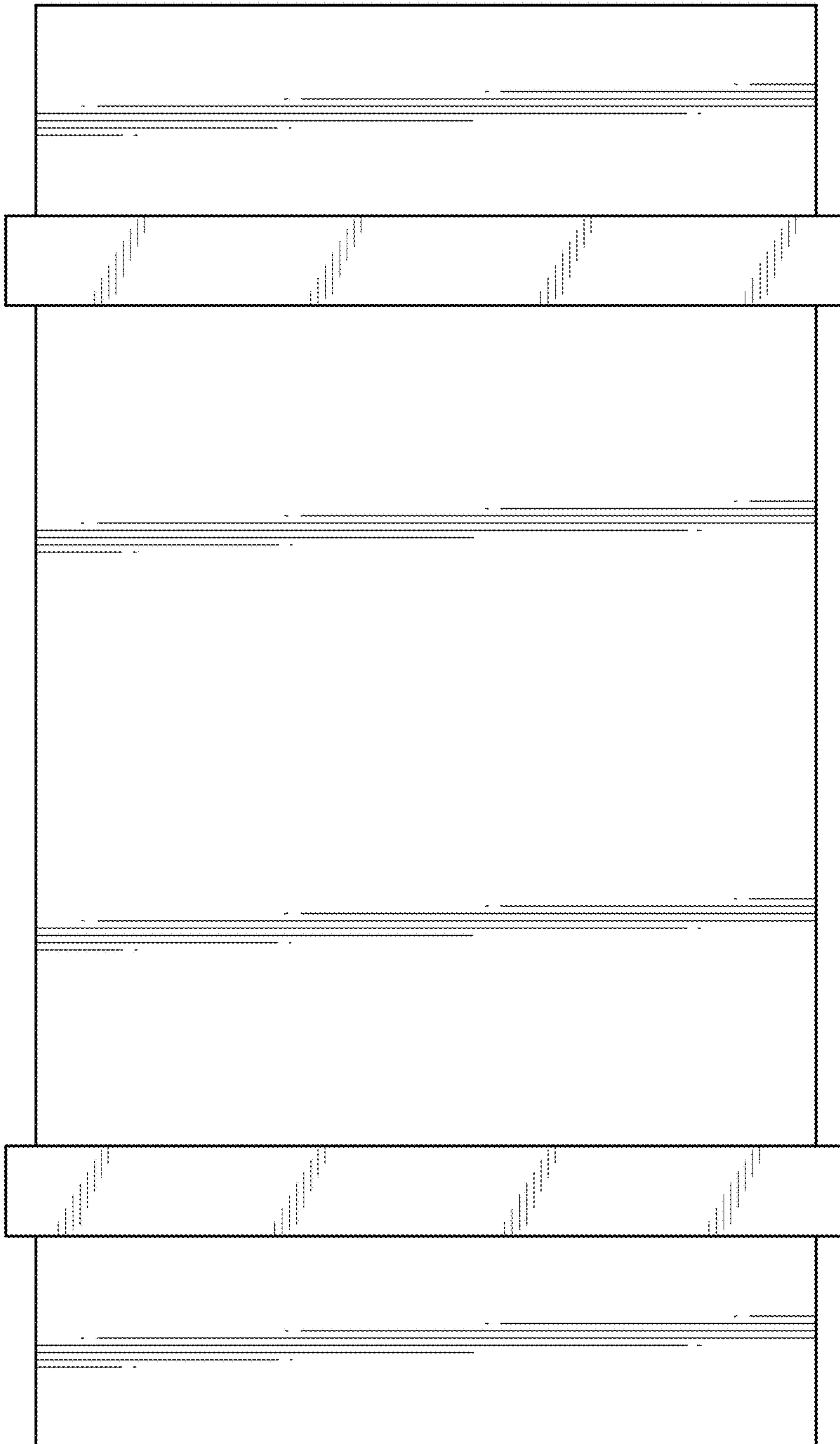


FIG. 17

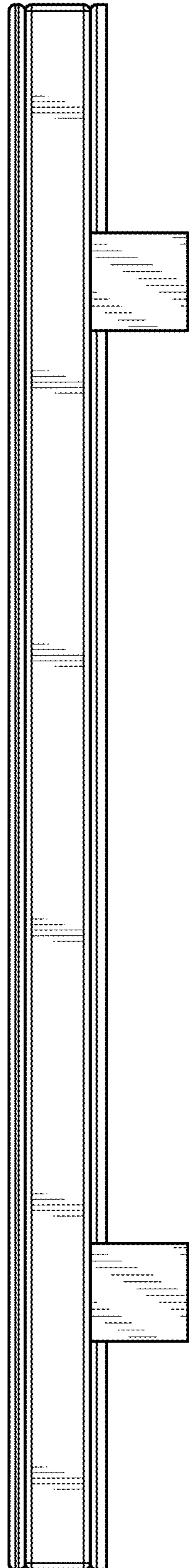


FIG. 18



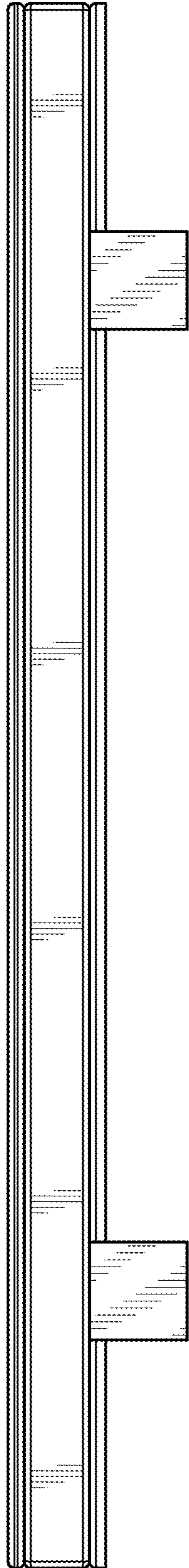


FIG. 19