



US00D863889S

(12) **United States Design Patent**  
**Cohen**

(10) **Patent No.:** **US D863,889 S**

(45) **Date of Patent:** **\*\* Oct. 22, 2019**

(54) **MIXING GLASS**

(71) Applicant: **Moshe Cohen**, Sunrise, FL (US)

(72) Inventor: **Moshe Cohen**, Sunrise, FL (US)

(\*\*) Term: **15 Years**

(21) Appl. No.: **29/625,011**

(22) Filed: **Nov. 6, 2017**

(51) **LOC (12) Cl.** ..... **31-00**

(52) **U.S. Cl.**

USPC ..... **D7/413**; D7/376; D7/386

(58) **Field of Classification Search**

USPC ..... D7/372, 376-386, 412-413, 513, 523,  
D7/602, 629, 665-666, 669, 679,  
D7/693-694; D9/429; D19/73

CPC .... A21C 1/02; A21C 1/04; A23N 1/00; A23N  
1/02; A47J 43/04; A47J 43/25; A47J  
43/27; A47J 43/042; A47J 43/044; A47J  
43/046; A47J 43/075; A47J 43/0722;  
A47J 43/0727; B01F 3/00; B01F 3/0807;  
B01F 3/0853; B01F 13/0059; B01F  
13/0064; B02C 1/08; B02C 2/04; B02C  
4/42; B02C 4/142; B02C 4/143; B02C  
4/423; B02C 13/1835; B28C 5/10; B28C  
5/12; B28C 5/14; B28C 5/16

See application file for complete search history.

(56) **References Cited**

**U.S. PATENT DOCUMENTS**

D228,125 S \* 8/1973 Weiss ..... D9/429  
D480,601 S \* 10/2003 Pettaweebuncha ..... D7/509

D534,768 S \* 1/2007 Mansfield ..... D7/513  
D556,512 S \* 12/2007 Mansfield ..... D7/509  
D580,986 S \* 11/2008 Farnworth ..... D19/73  
D617,136 S \* 6/2010 Bock ..... D7/378  
D661,547 S \* 6/2012 Brinckerhoff ..... D7/376  
D702,999 S \* 4/2014 Audette ..... D7/376  
D767,334 S \* 9/2016 Pan ..... D7/376  
D775,892 S \* 1/2017 Smith ..... D7/376  
D793,227 S \* 8/2017 Maskell ..... D7/602  
D836,397 S \* 12/2018 Silsby ..... A47J 19/022  
D7/523

\* cited by examiner

*Primary Examiner* — Ricky Pham

(74) *Attorney, Agent, or Firm* — The Rapacke Law  
Group, P.A.

(57) **CLAIM**

The ornamental design for a mixing glass, as shown and  
described.

**DESCRIPTION**

FIG. 1 is a front top perspective view of the mixing glass  
showing the new design;

FIG. 2 is a front elevational view of the mixing glass thereof;

FIG. 3 is a rear elevational view of the mixing glass thereof;

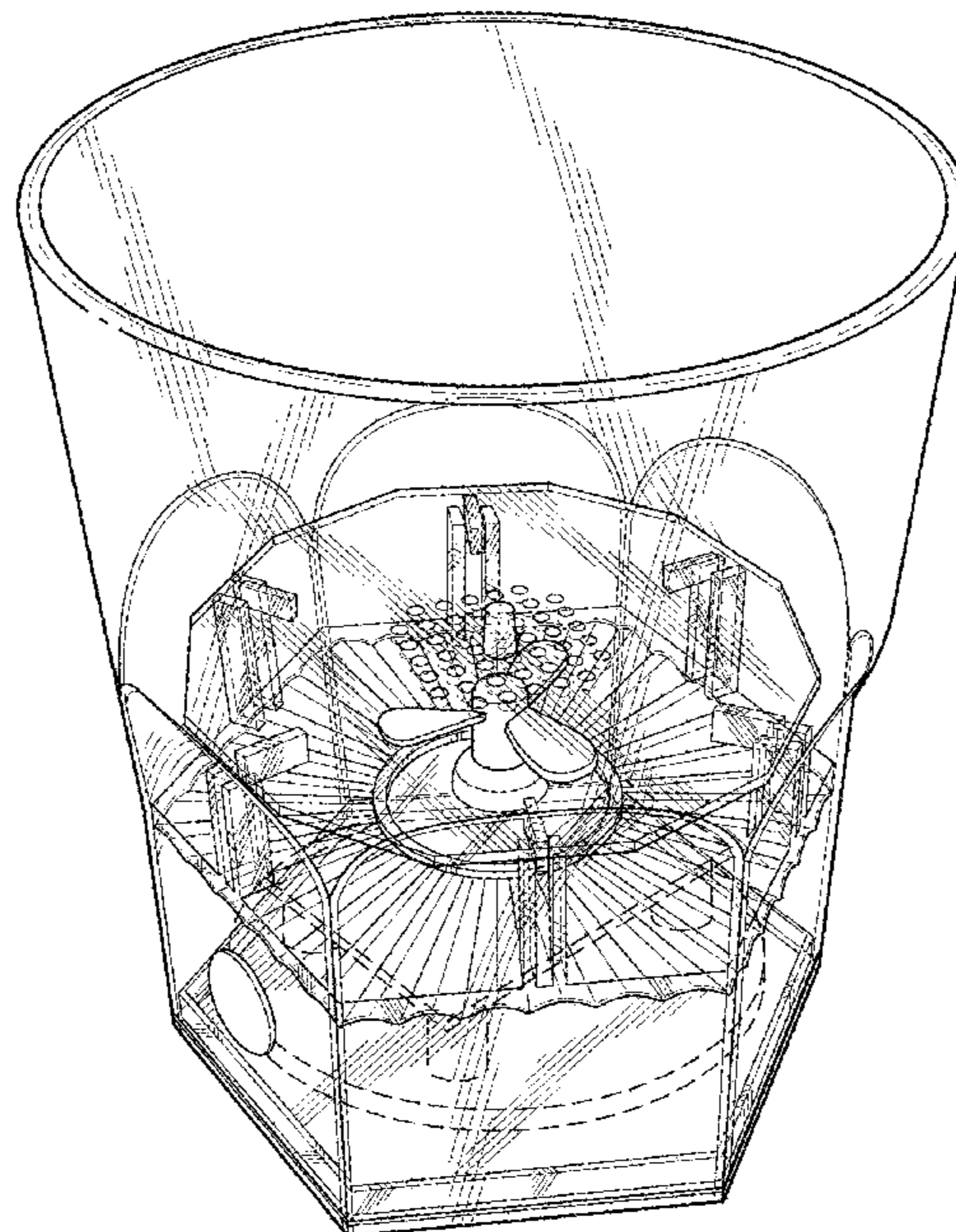
FIG. 4 is a left side elevational view of the mixing glass  
thereof;

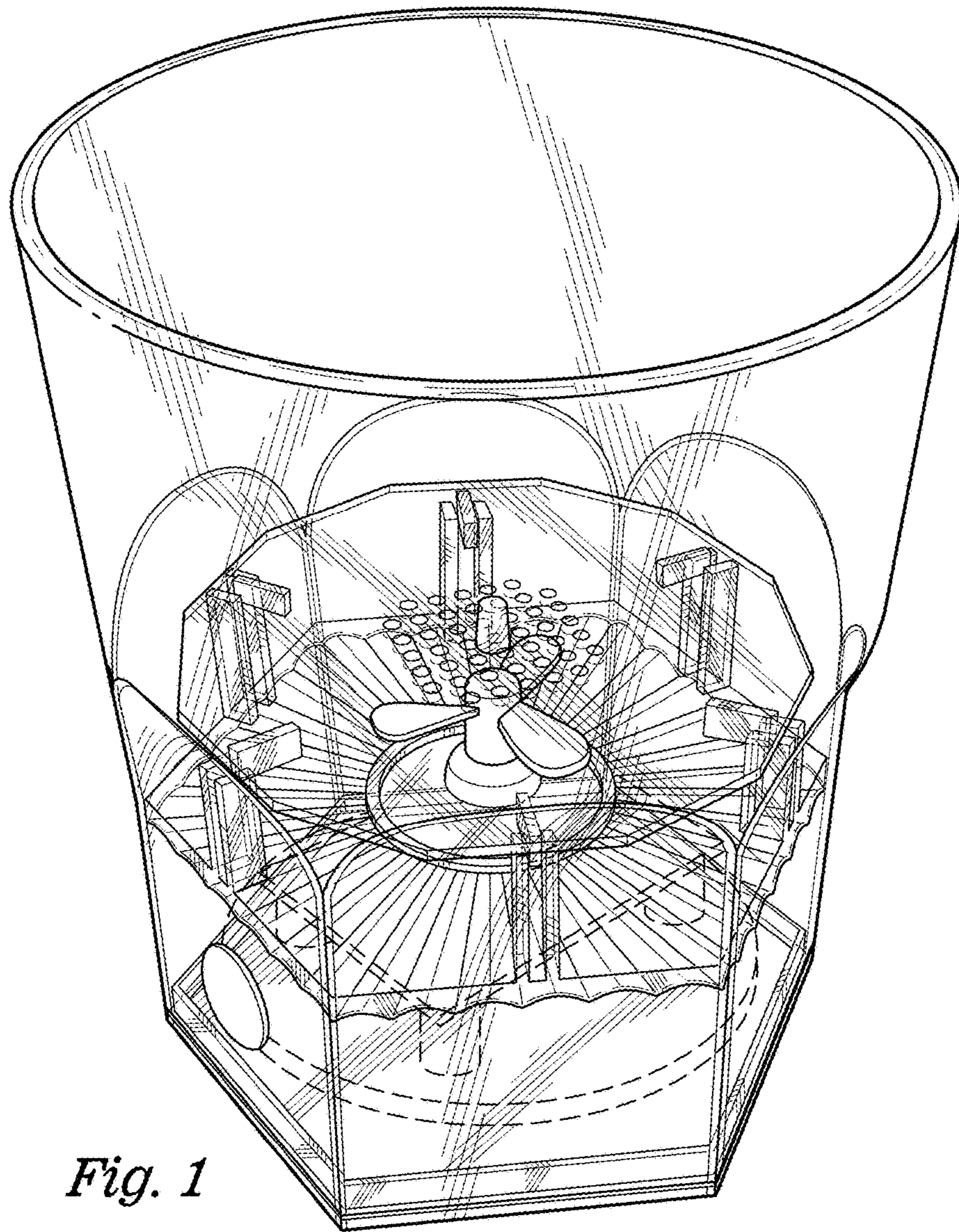
FIG. 5 is a right side elevational view of the mixing glass  
thereof;

FIG. 6 is a top plan view of the mixing glass thereof; and,  
FIG. 7 is a bottom plan view of the mixing glass thereof.

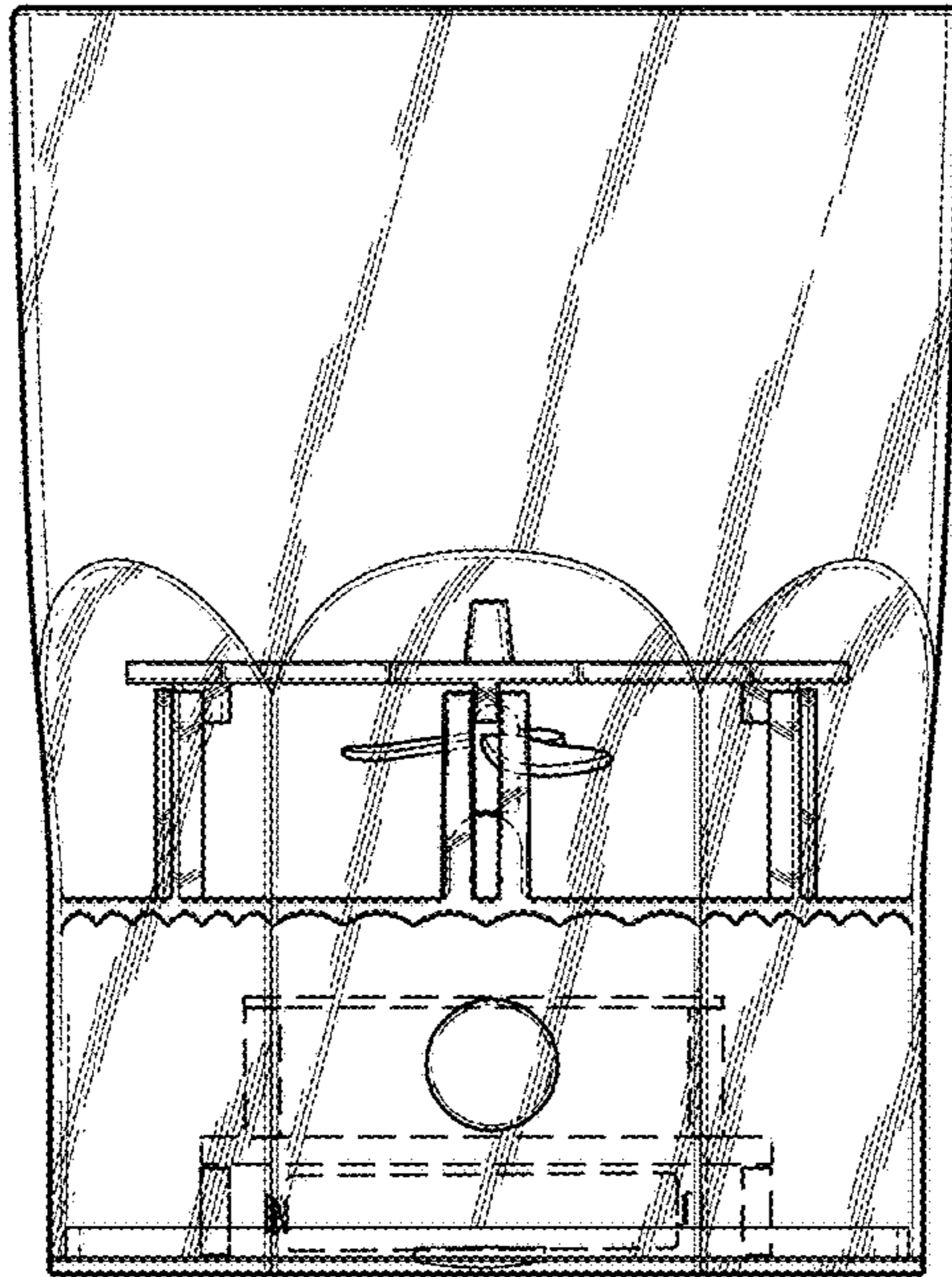
The broken lines are for illustrative purposes only and form  
no part of the claimed design.

**1 Claim, 4 Drawing Sheets**

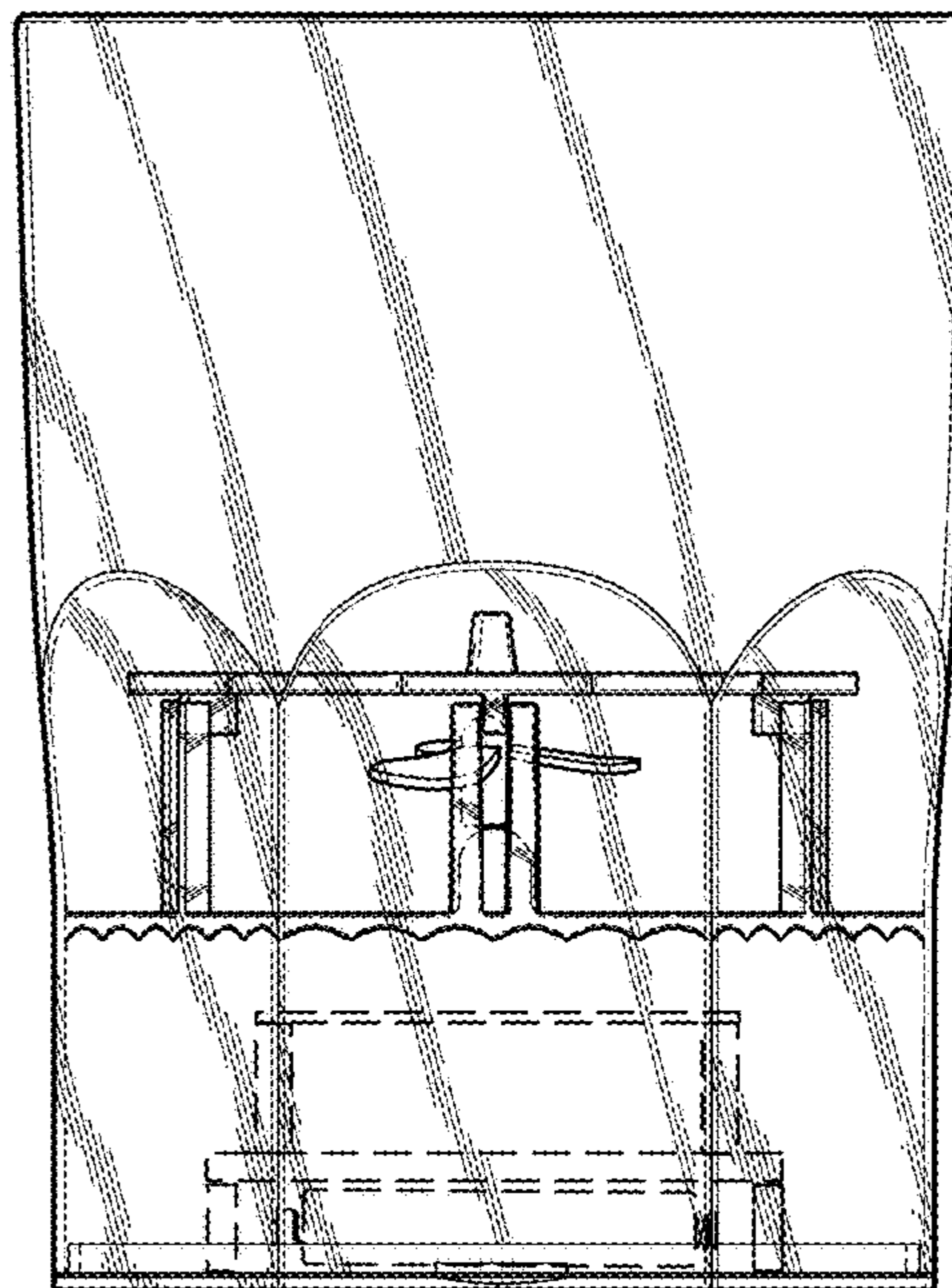




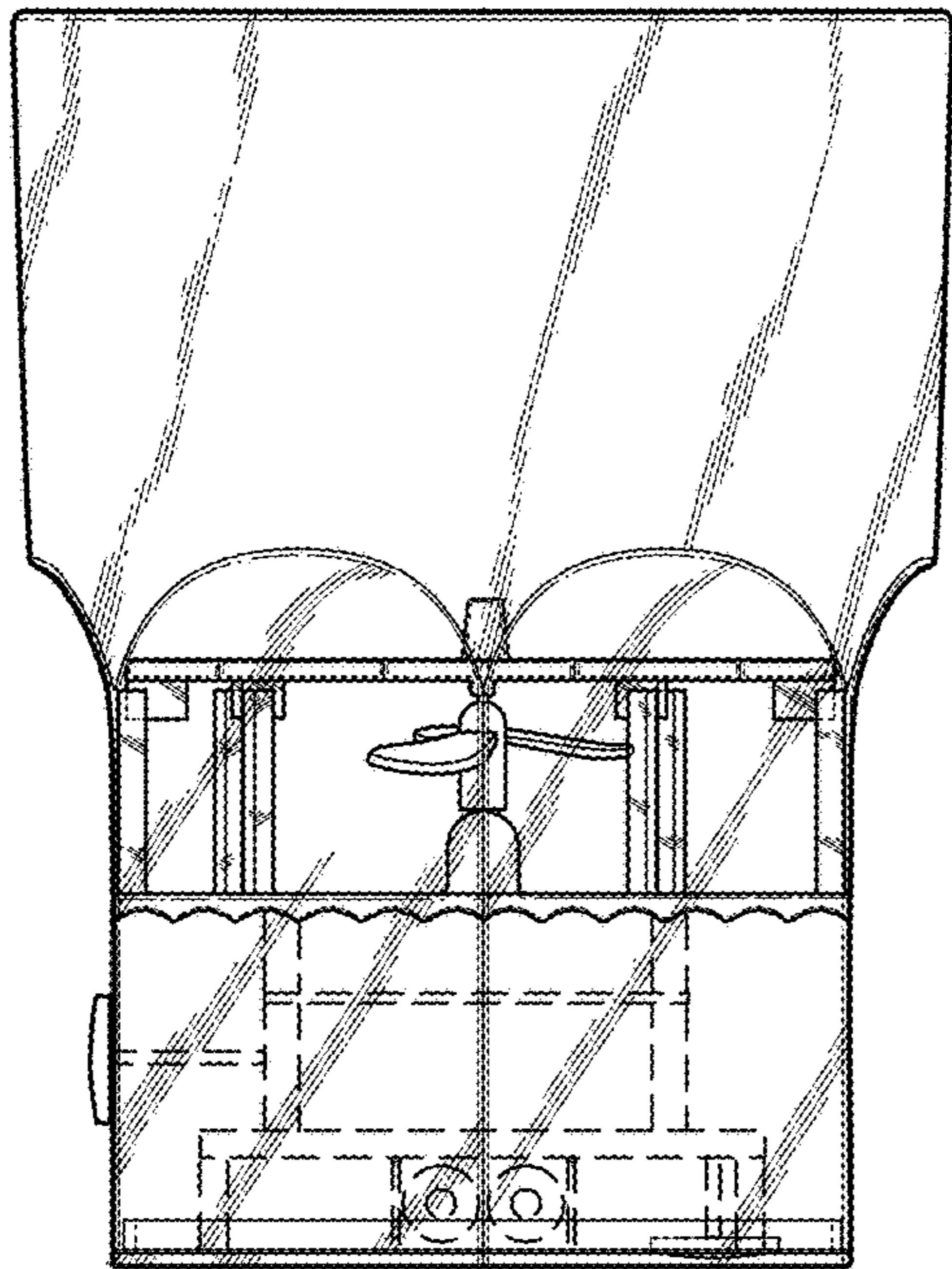
*Fig. 1*



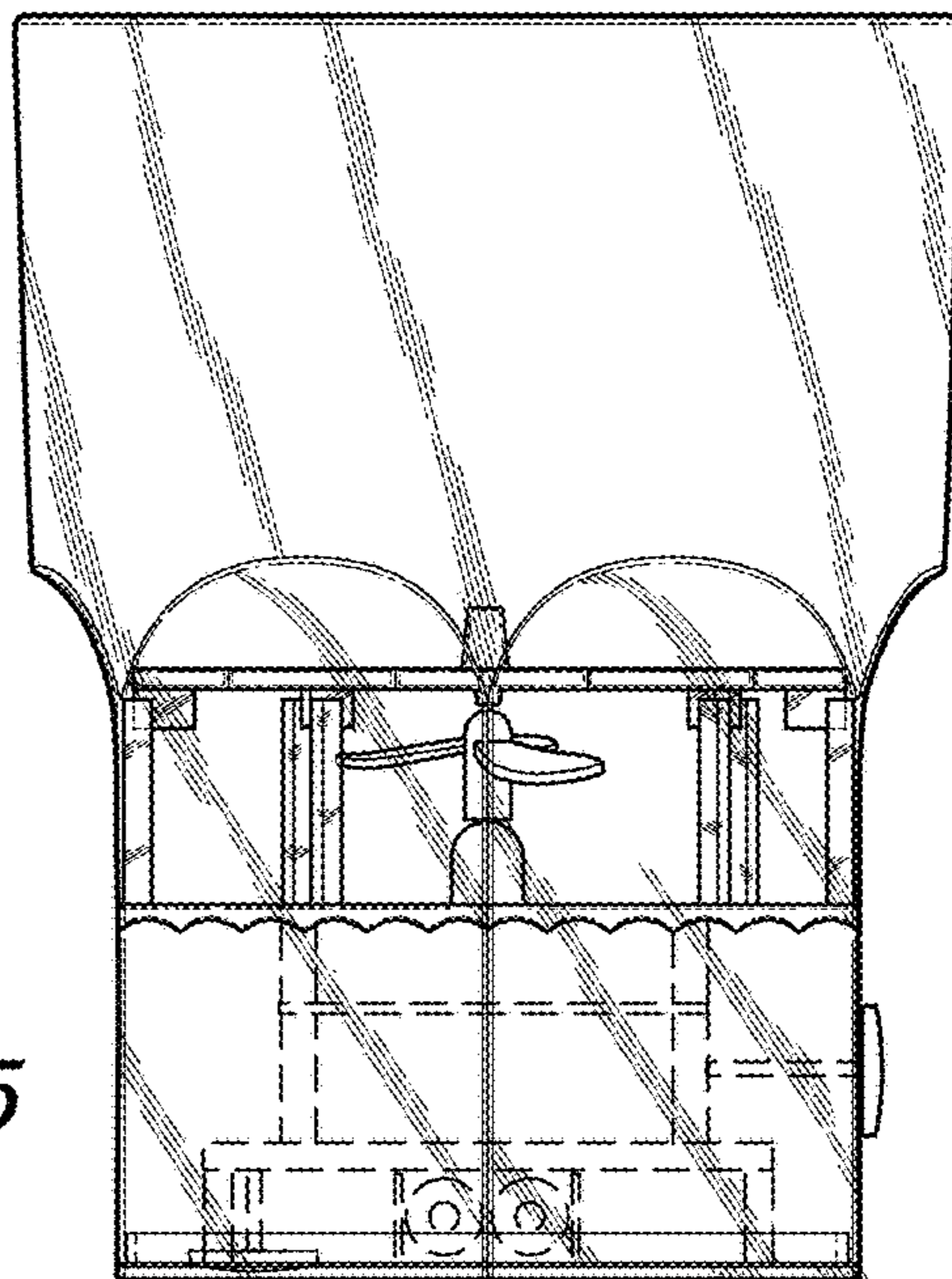
*Fig. 2*



*Fig. 3*

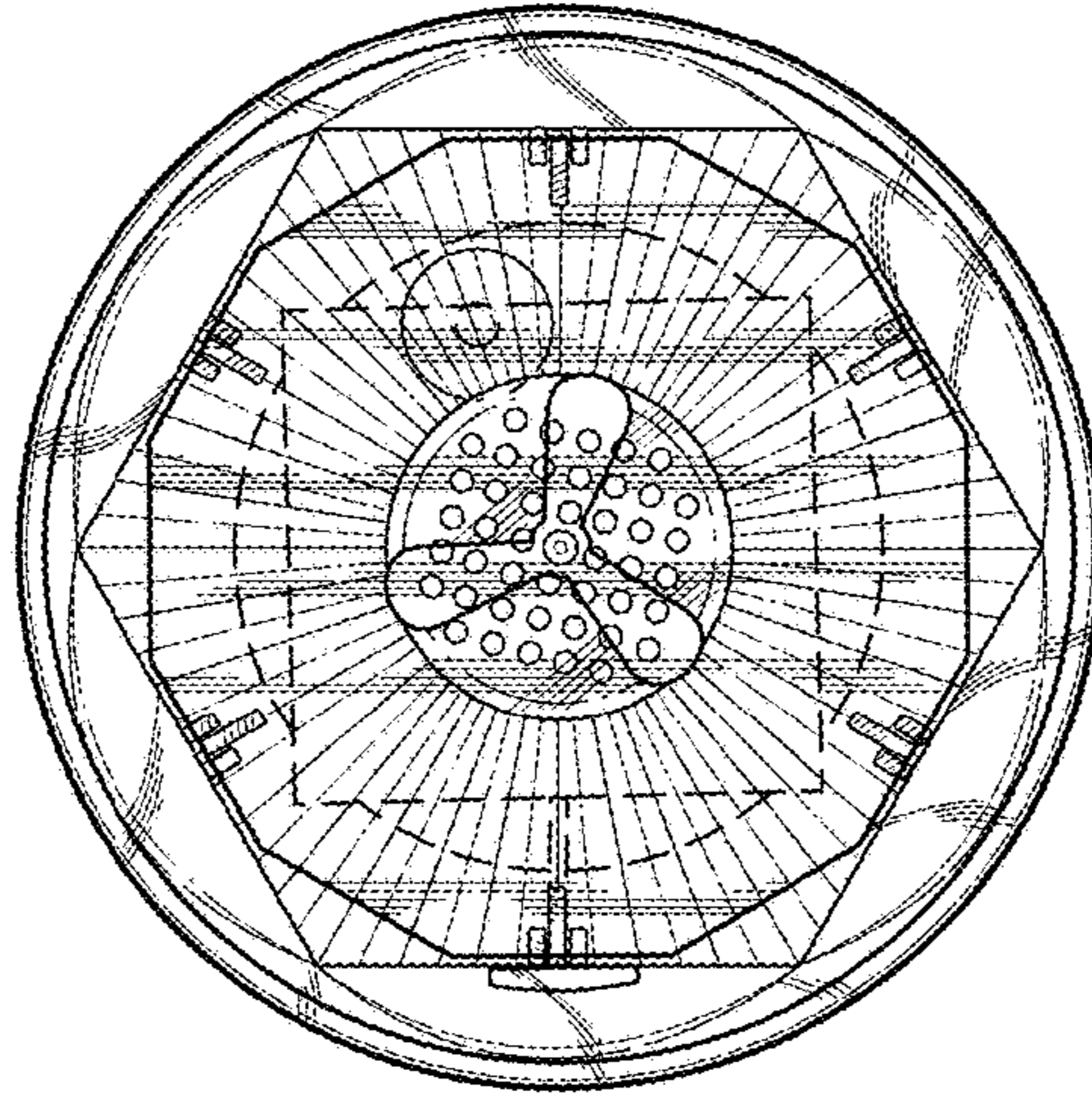


*Fig. 4*



*Fig. 5*

*Fig. 6*



*Fig. 7*

