



US00D863885S

(12) **United States Design Patent**
Woller

(10) **Patent No.:** **US D863,885 S**
(45) **Date of Patent:** **** Oct. 22, 2019**

(54) **KETTLE GRILL GRATE WITH HEAT DEFLECTOR PLATE**

(71) Applicant: **Ronald Ray Woller**, Decatur, AL (US)

(72) Inventor: **Ronald Ray Woller**, Decatur, AL (US)

(73) Assignee: **Good Sportsman Marketing, LLC**,
Grand Prairie, TX (US)

(**) Term: **15 Years**

(21) Appl. No.: **29/651,400**

(22) Filed: **Jul. 23, 2018**

(51) **LOC (12) Cl.** **07-02**

(52) **U.S. Cl.**
USPC **D7/409**

(58) **Field of Classification Search**
USPC D7/323, 332, 335-337, 354-355,
D7/359-364, 387-388, 402, 407-409
CPC A21B 2/00; A21B 3/00; A21B 3/13; A21B
3/15; A21B 5/00; A21B 5/02; A23N
12/06; A23N 12/08; A23N 12/10; A47J
33/00; A47J 36/22; A47J 37/00; A47J
37/04; A47J 37/041; A47J 37/042; A47J
37/06; A47J 37/0688; A47J 37/0694;
A47J 37/07; A47J 37/0704; A47J
37/0786; A47J 37/10; A47J 47/20; A47J
2037/00; A47J 2037/06; A47J 2037/0611;
A47J 2037/07; A47J 2037/0786; A47J
2037/0795; F24C 15/10; F24C 15/12;
F24C 15/14; F24C 15/16; F24C 15/164;
F24C 15/18

See application file for complete search history.

(56) **References Cited**

U.S. PATENT DOCUMENTS

D31,043 S * 6/1899 Smith D7/409
2,986,138 A * 5/1961 Moore A47J 37/0704
126/25 A

4,052,934 A * 10/1977 Shinman A47J 36/22
210/474
4,777,927 A 10/1988 Stephen
5,069,196 A * 12/1991 Schlosser A47J 37/0786
126/25 A
D364,777 S * 12/1995 Schlosser D7/402
5,558,008 A 9/1996 Jenkins
5,819,718 A * 10/1998 Leiser A47J 33/00
126/30
6,065,464 A 5/2000 Zajec
D623,014 S * 9/2010 Alden D7/409

(Continued)

Primary Examiner — Ricky Pham

(74) *Attorney, Agent, or Firm* — D'Ambrosio & Menon,
PLLC; Usha Menon

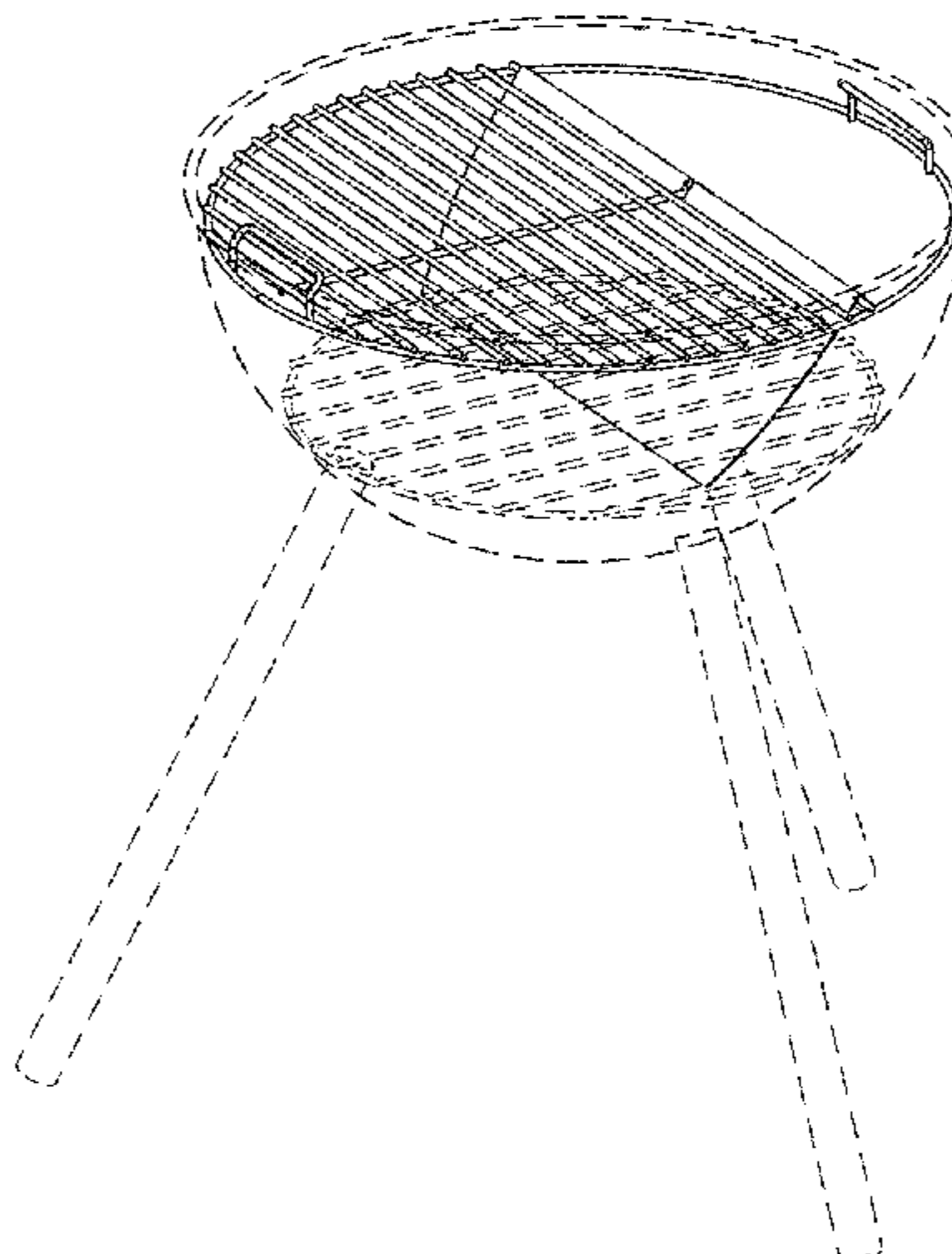
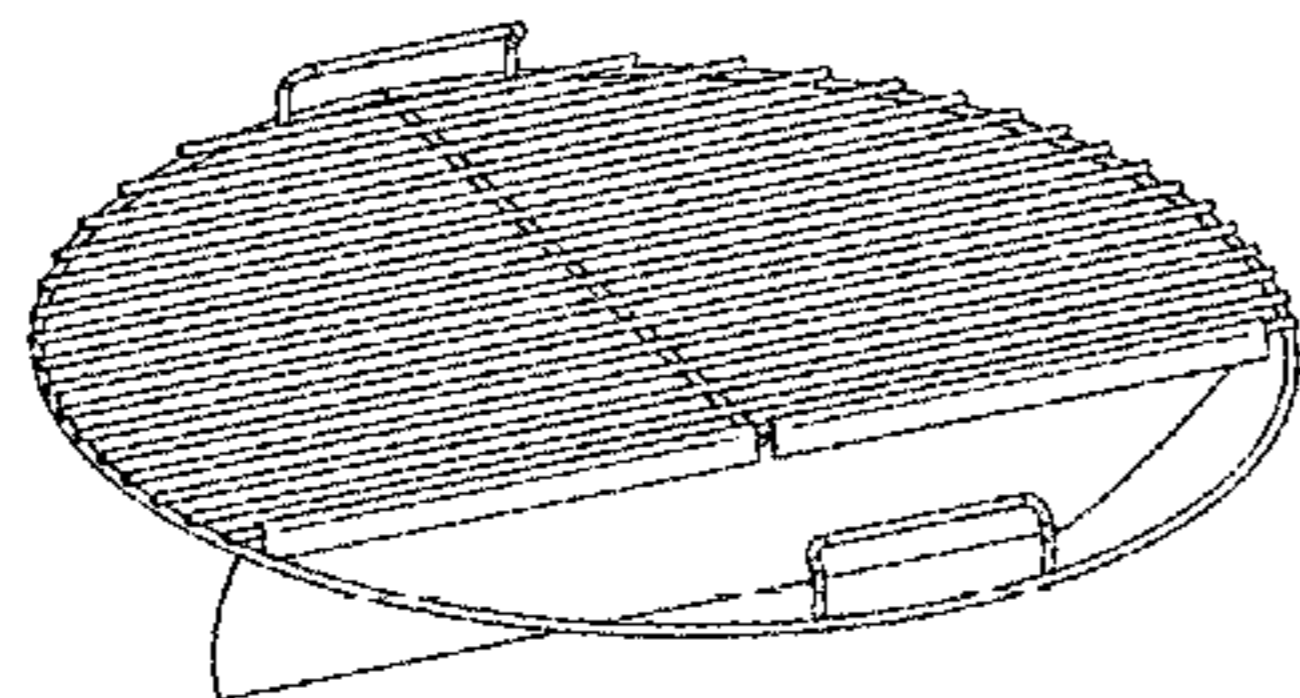
(57) **CLAIM**

The ornamental design for a kettle grill grate with heat deflector plate, as shown and described.

DESCRIPTION

FIG. 1 is a Top plan view of the kettle grill grate with heat deflector plate;
FIG. 2 is a Front elevation view of the kettle grill grate with heat deflector plate thereof;
FIG. 3 is a Bottom plan view of the kettle grill grate with heat deflector plate thereof;
FIG. 4 is a Left elevation view of the kettle grill grate with heat deflector plate thereof;
FIG. 5 is a Right elevation view of the kettle grill grate with heat deflector plate thereof;
FIG. 6 is a Front Top isometric view of the kettle grill grate with heat deflector plate thereof;
FIG. 7 is a Back Top isometric view of the kettle grill grate with heat deflector plate thereof; and,
FIG. 8 is a Back Top isometric view of the kettle grill grate with heat deflector plate thereof showing a kettle grill environment;
The dotted lines in FIG. 8 represent the environment and form no part of the claimed design.

1 Claim, 3 Drawing Sheets



(56)

References Cited

U.S. PATENT DOCUMENTS

D650,227	S	12/2011	Walker	
D716,609	S *	11/2014	Greer	D7/409
D733,495	S *	7/2015	Tyson	D7/354
9,339,145	B1 *	5/2016	Owczarzak	A47J 37/0786
D788,525	S	6/2017	Parrish	
D789,741	S	6/2017	Parrish	
9,681,775	B2	6/2017	Contarino	
D825,264	S *	8/2018	Cielenski	D7/408
D827,372	S *	9/2018	Cielenski	D7/408
D842,649	S *	3/2019	Mishan	D7/409

* cited by examiner

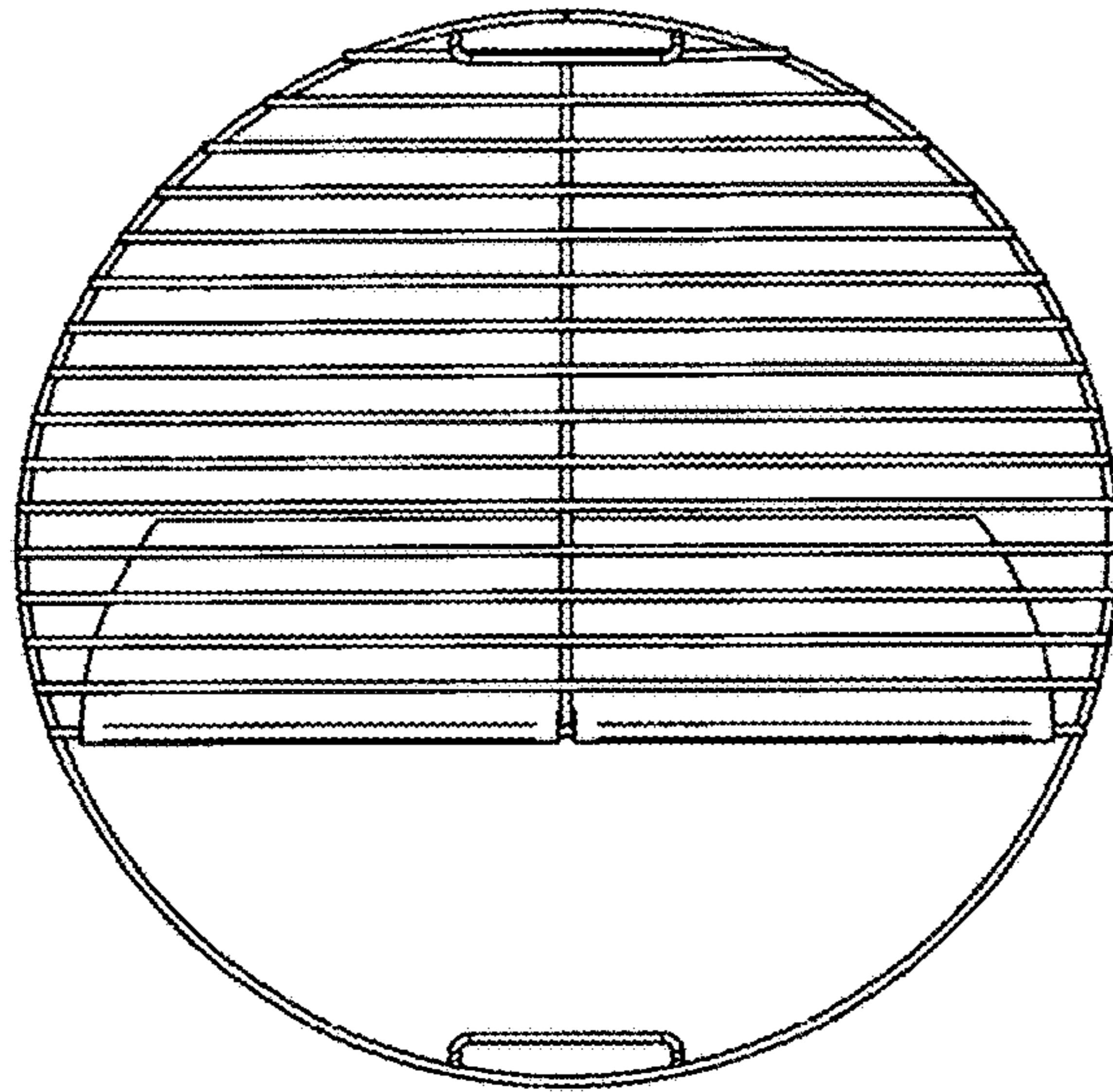


FIGURE 1

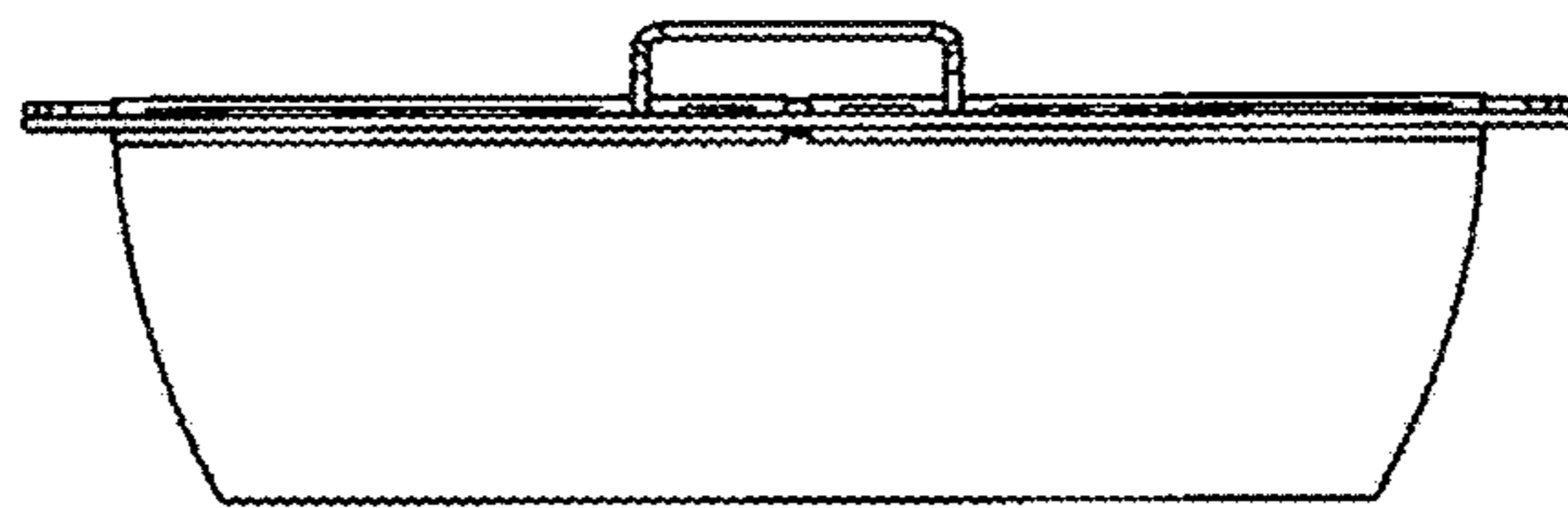


FIGURE 2

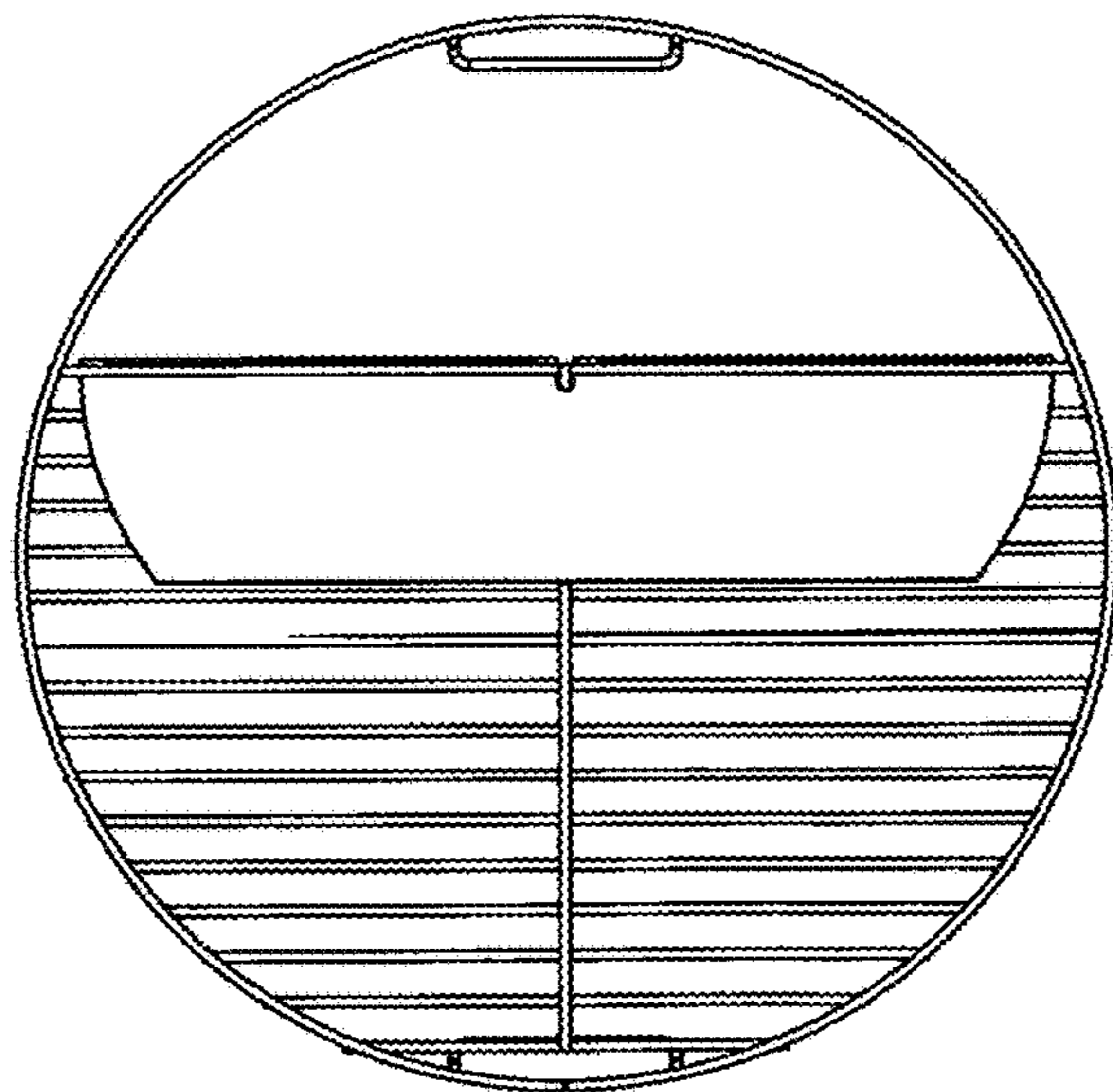


FIGURE 3

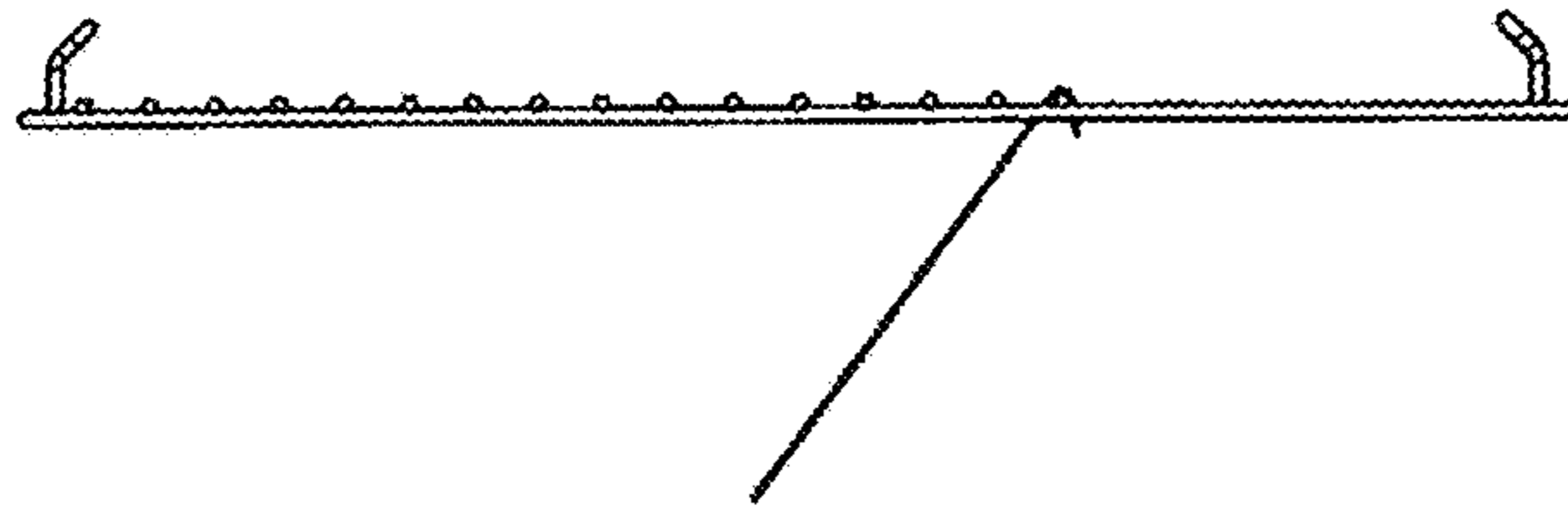


FIGURE 4

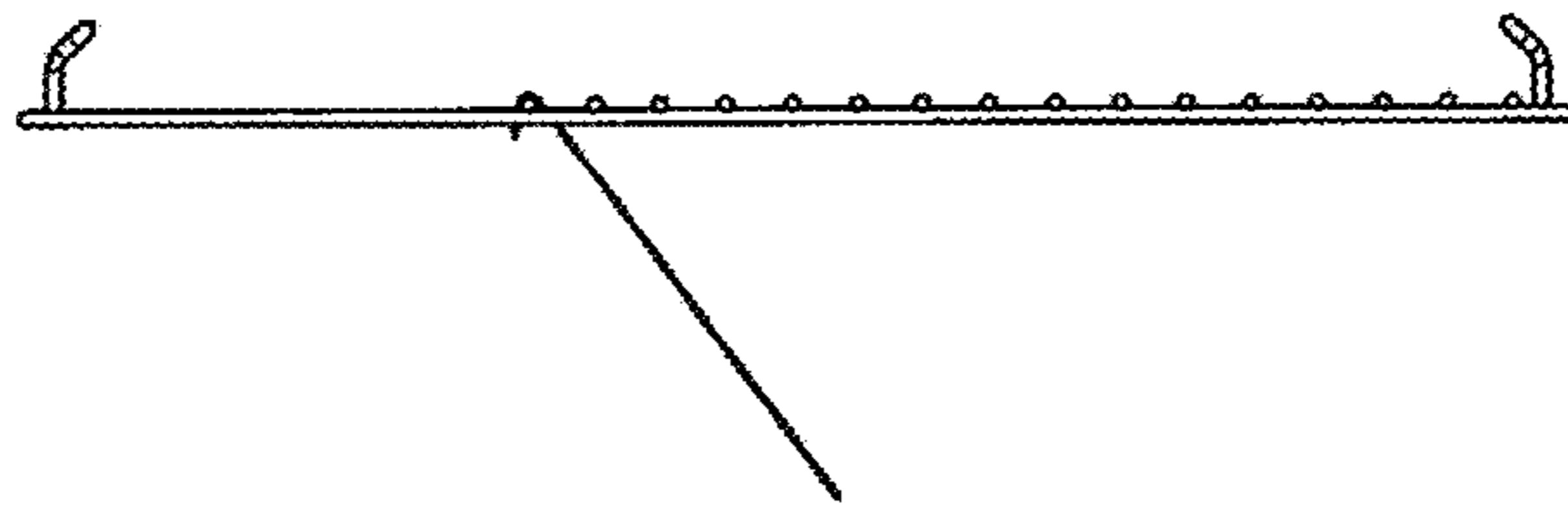


FIGURE 5

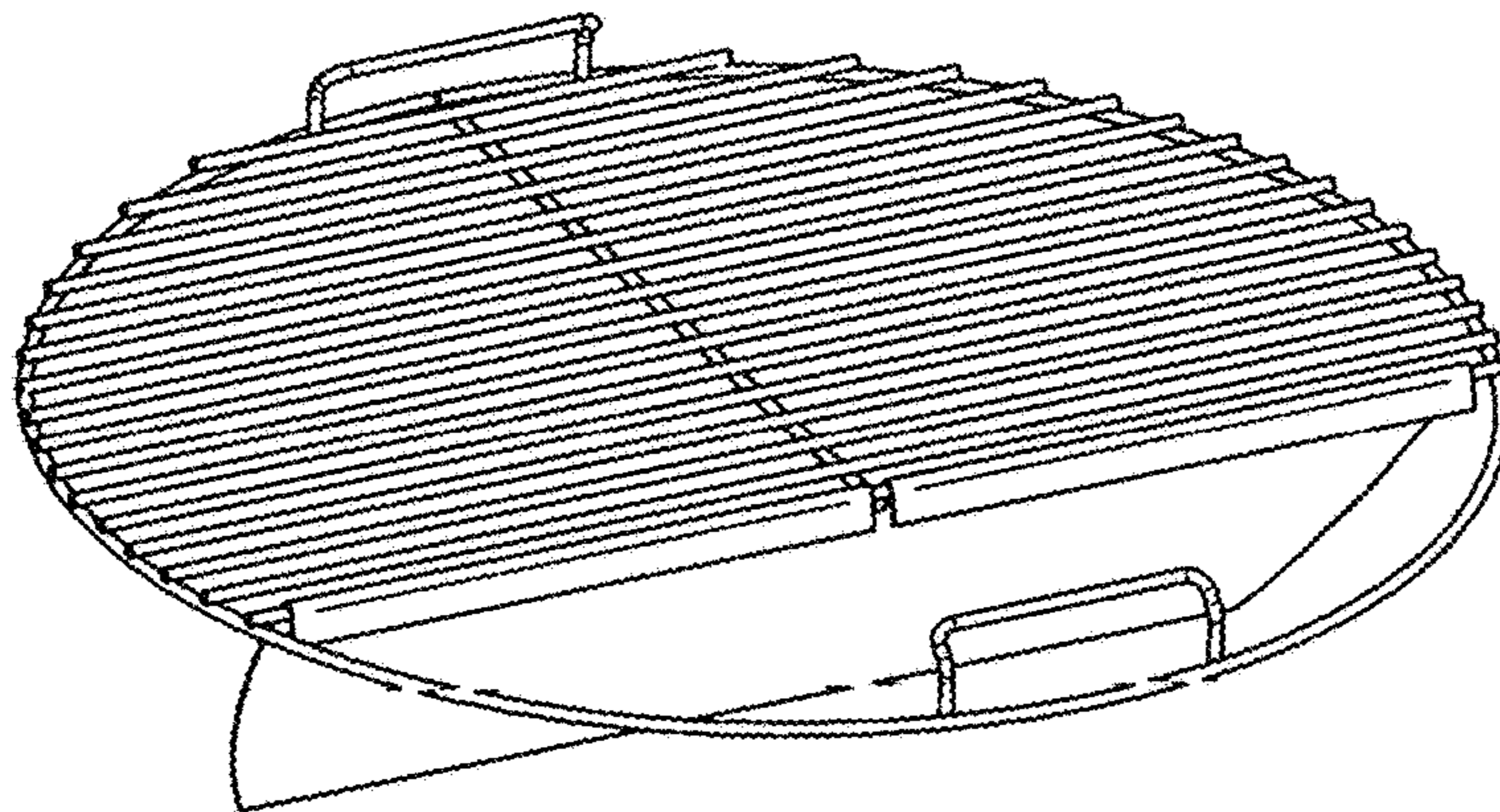


FIGURE 6

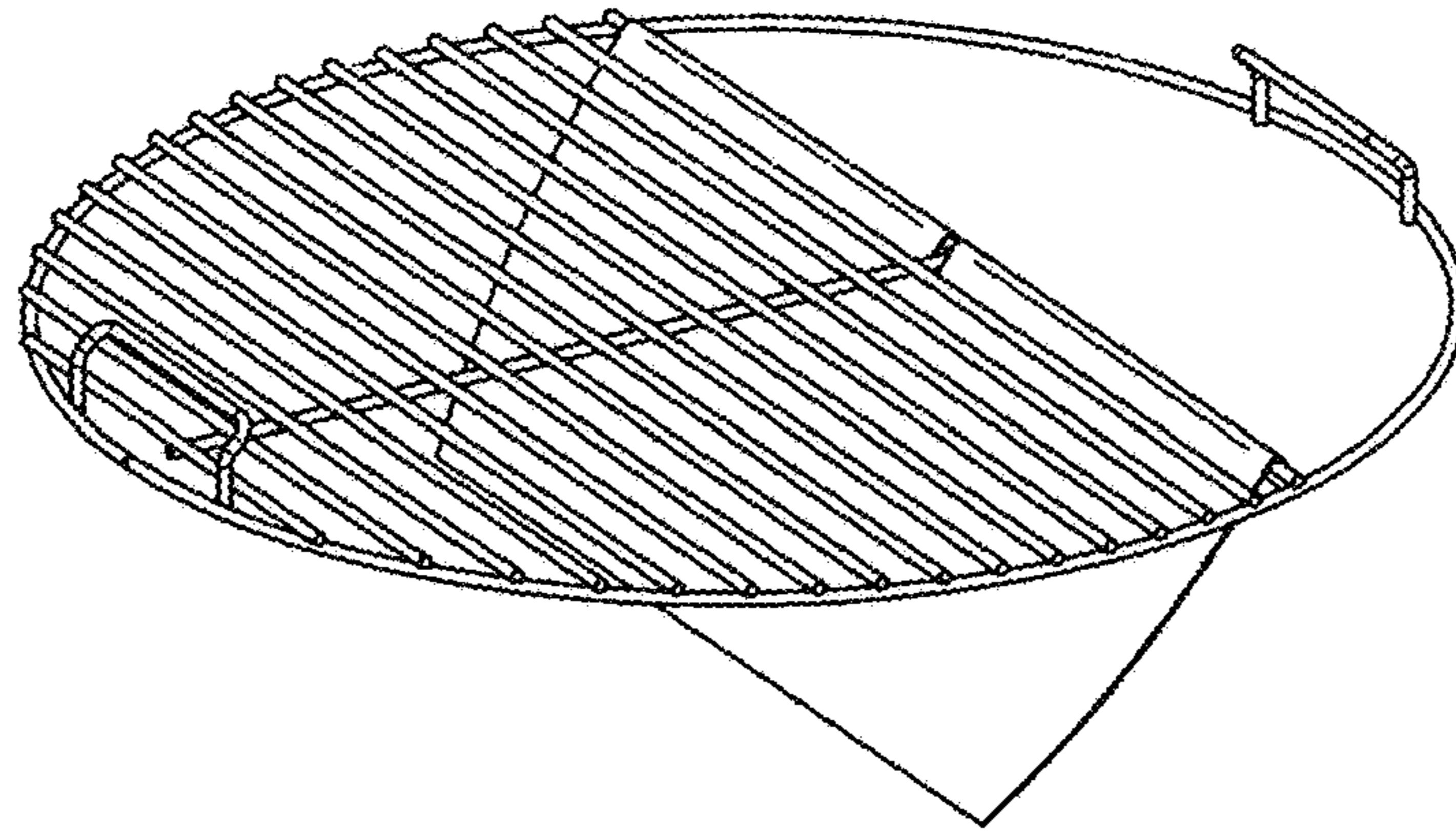


FIGURE 7

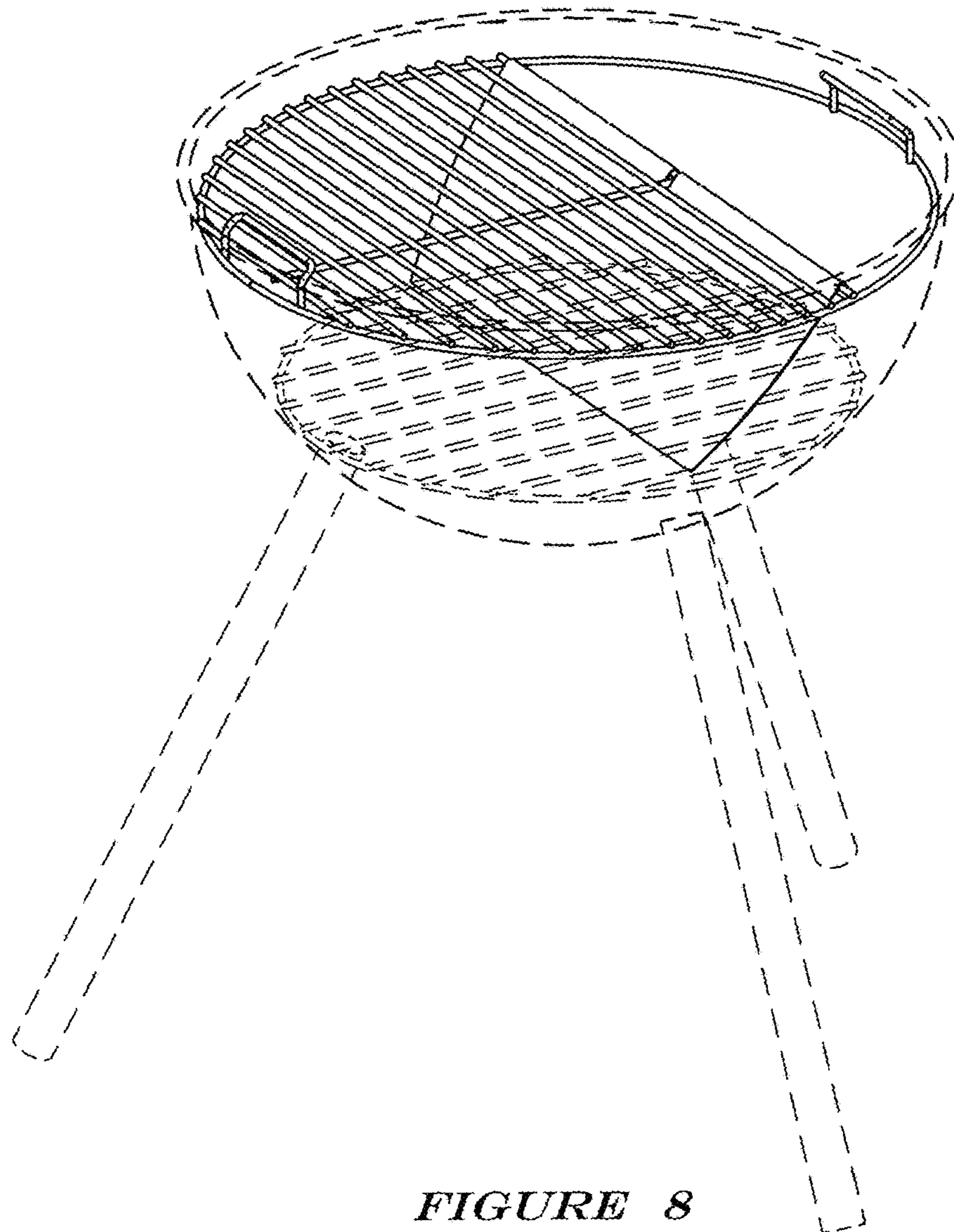


FIGURE 8