



US00D863884S

(12) **United States Design Patent**  
**Prior et al.**

(10) **Patent No.:** **US D863,884 S**  
(45) **Date of Patent:** **\*\* Oct. 22, 2019**

- (54) **GRILL TOP ROLLER PAN**
- (71) Applicant: **Archipelago Group LLC**, Lakewood, CO (US)
- (72) Inventors: **Bruce Prior**, Lakewood, CO (US);  
**George Prior**, Culver City, CA (US)
- (73) Assignee: **ARCHIPELAGO GROUP LLC**,  
Lakewood, CO (US)
- (\*\*) Term: **15 Years**
- (21) Appl. No.: **29/613,708**
- (22) Filed: **Aug. 11, 2017**
- (51) **LOC (12) Cl.** ..... **07-02**
- (52) **U.S. Cl.**  
USPC ..... **D7/409; D7/354**
- (58) **Field of Classification Search**  
USPC ..... D7/323, 332, 335-338, 354-355,  
D7/359-364, 369, 372, 387-388, 402,  
D7/407-409  
CPC .... A21B 2/00; A21B 3/00; A21B 3/13; A21B  
3/15; A21B 5/00; A21B 5/02; A23N  
12/06; A23N 12/08; A23N 12/10; A47J  
27/002; A47J 36/20; A47J 37/00; A47J  
37/04; A47J 37/041; A47J 37/042; A47J  
37/047; A47J 37/06; A47J 37/0688; A47J  
37/0694; A47J 37/07; A47J 37/0704;  
A47J 37/10; A47J 47/20; A47J 2037/00;  
A47J 2037/06; A47J 2037/0611; A47J  
2037/07; A47J 2037/0786; A47J  
2037/0795; B65D 7/22; F24C 15/10;  
F24C 15/12; F24C 15/14; F24C 15/16;  
F24C 15/164; F24C 15/18  
See application file for complete search history.

(56) **References Cited**

**U.S. PATENT DOCUMENTS**

- 3,908,535 A \* 9/1975 Gordon ..... A47J 36/20  
99/416
- D343,985 S \* 2/1994 Rath ..... A47J 37/042  
D7/368

- D368,202 S \* 3/1996 Goble ..... A47J 37/047  
99/584
- 5,497,697 A \* 3/1996 Promny ..... A47J 37/047  
99/394
- 5,632,098 A \* 5/1997 Finch ..... A23N 12/10  
34/63
- 5,771,600 A \* 6/1998 Romanow ..... A23N 12/10  
34/63
- 6,079,319 A \* 6/2000 Doria ..... A47J 37/047  
99/331
- 7,478,586 B2 \* 1/2009 Gabrielle ..... A47J 37/042  
99/340
- 7,514,651 B2 \* 4/2009 Popeil ..... A47J 37/042  
219/392
- D771,994 S \* 11/2016 Zemel ..... D7/338
- D783,337 S \* 4/2017 Markussen ..... A47J 37/047  
D7/354
- 10,136,760 B2 \* 11/2018 Markussen ..... A47J 37/047
- 2011/0097468 A1 \* 4/2011 Driscoll ..... A47J 37/047  
426/519

\* cited by examiner

*Primary Examiner* — Ricky Pham

(74) *Attorney, Agent, or Firm* — Olav M. Underal; IDP  
Patent Services

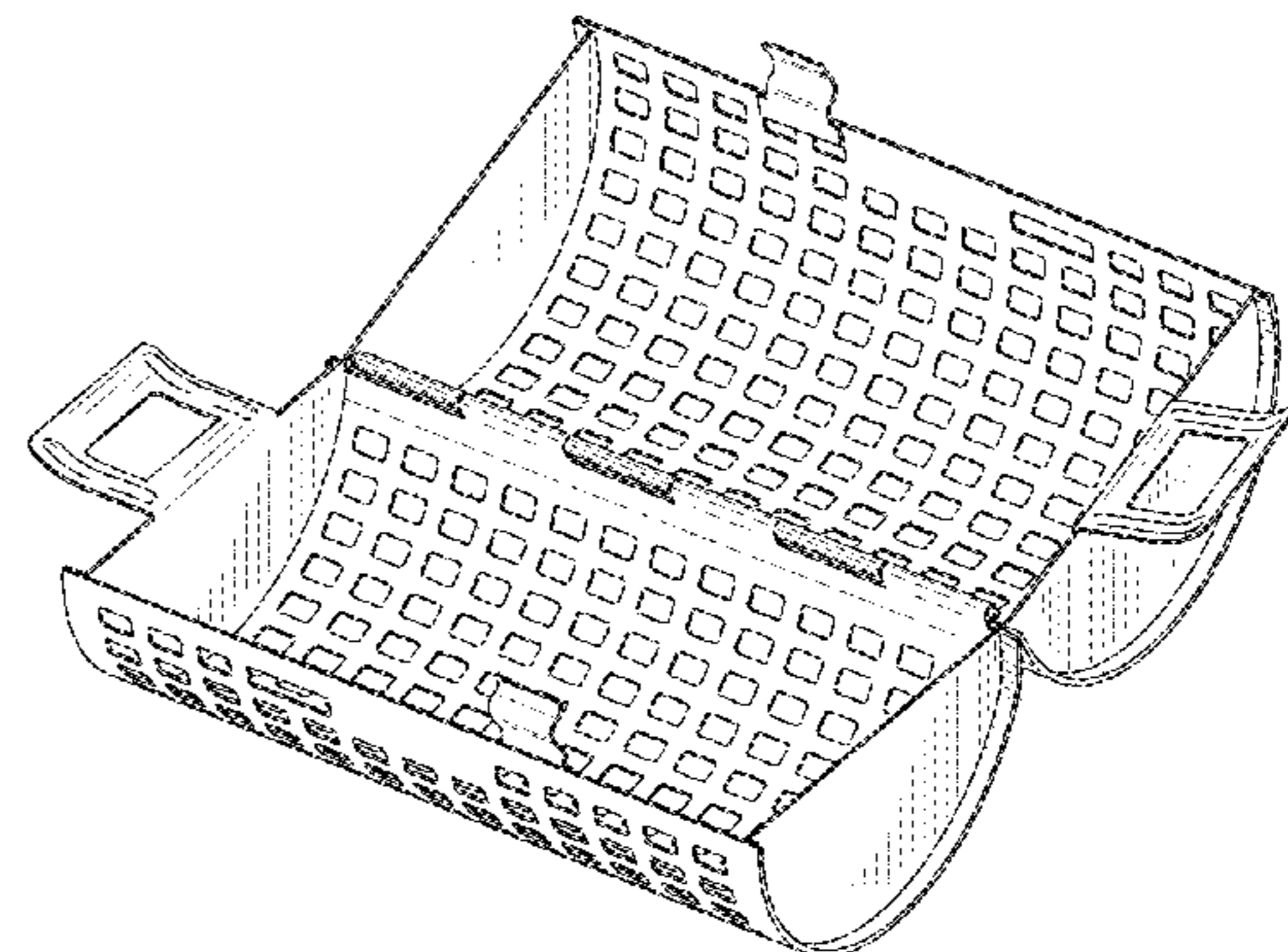
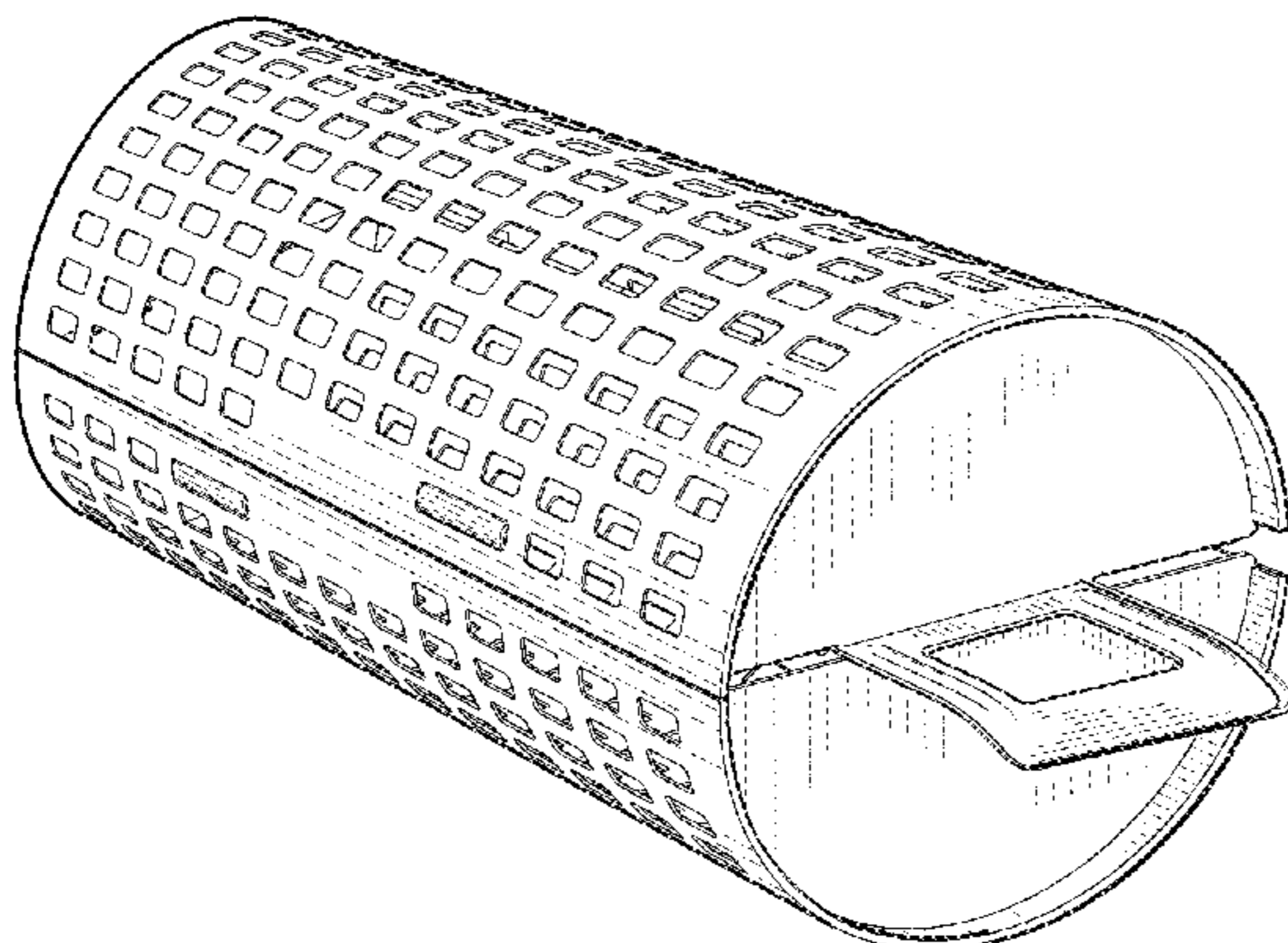
(57) **CLAIM**

The ornamental design for a grill top roller pan, as shown and described.

**DESCRIPTION**

FIG. 1 is a top perspective view of a grill top roller pan; FIG. 2 is a left side elevational view thereof; FIG. 3 is a right side elevational view thereof; FIG. 4 is a front elevational view thereof; FIG. 5 is a rear elevational view thereof; FIG. 6 is a top plan view thereof; FIG. 7 is a bottom plan view thereof; and, FIG. 8 is a top perspective view thereof, in an open state.

**1 Claim, 7 Drawing Sheets**



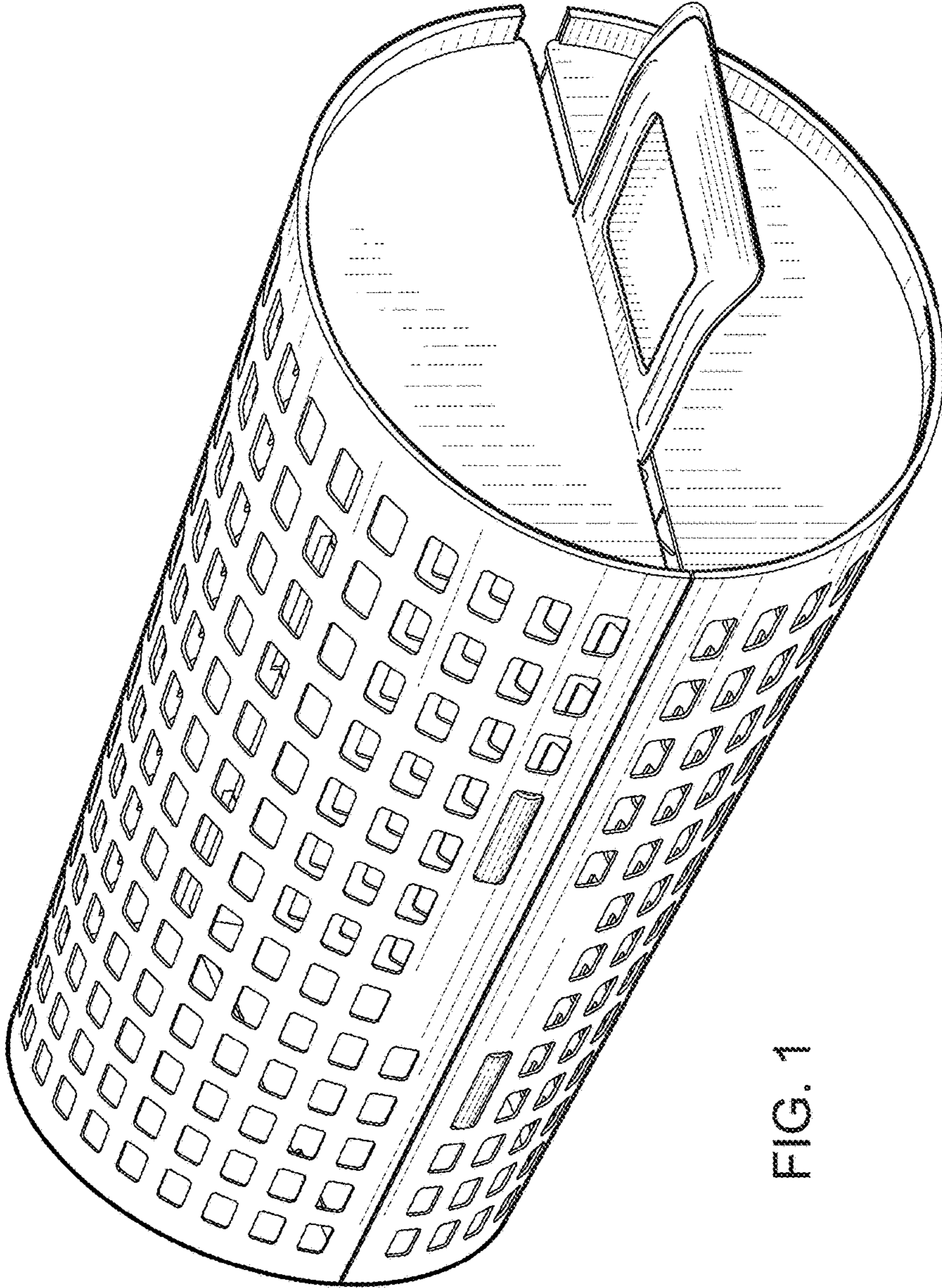


FIG. 1

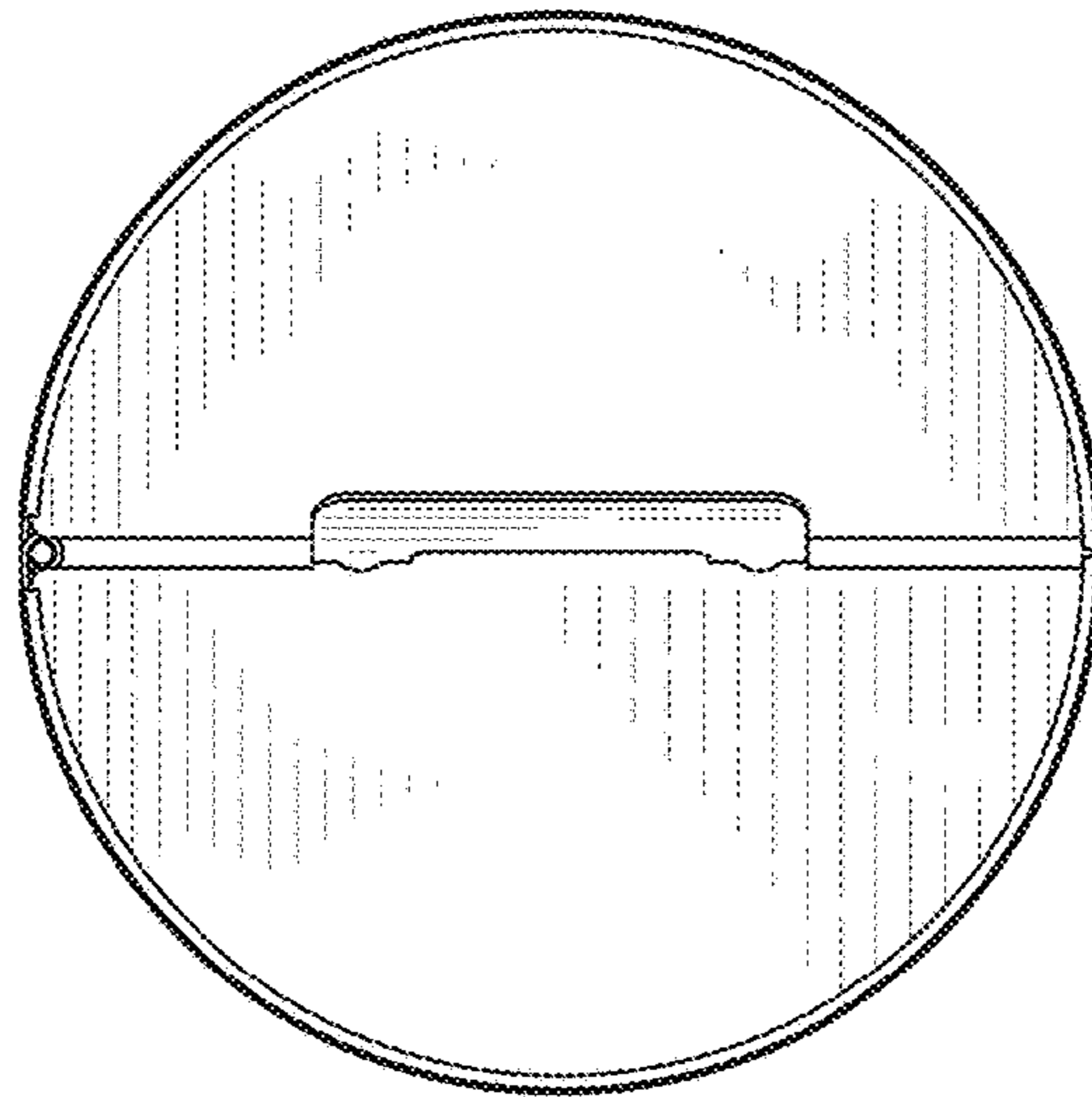


FIG. 2

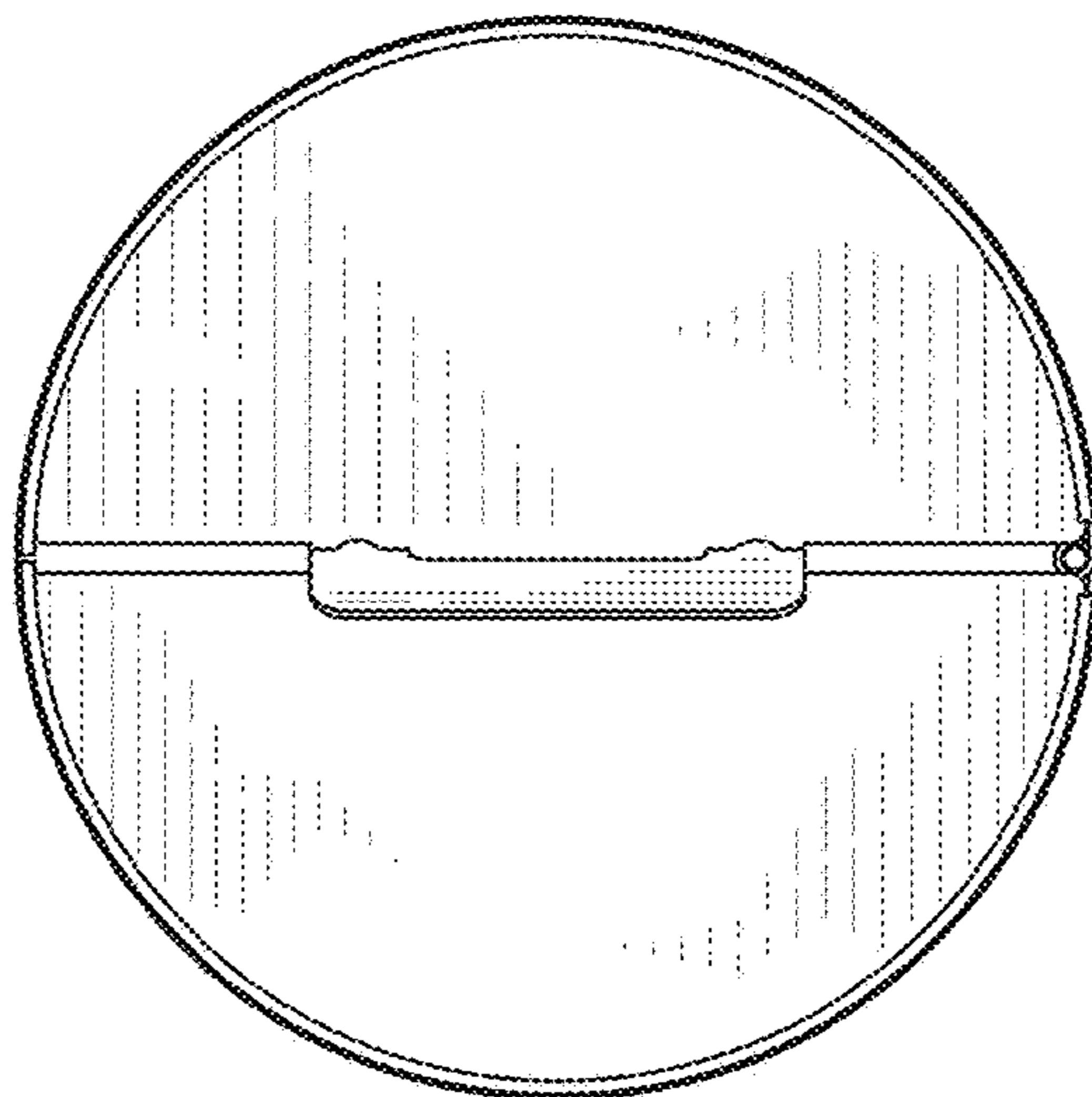


FIG. 3

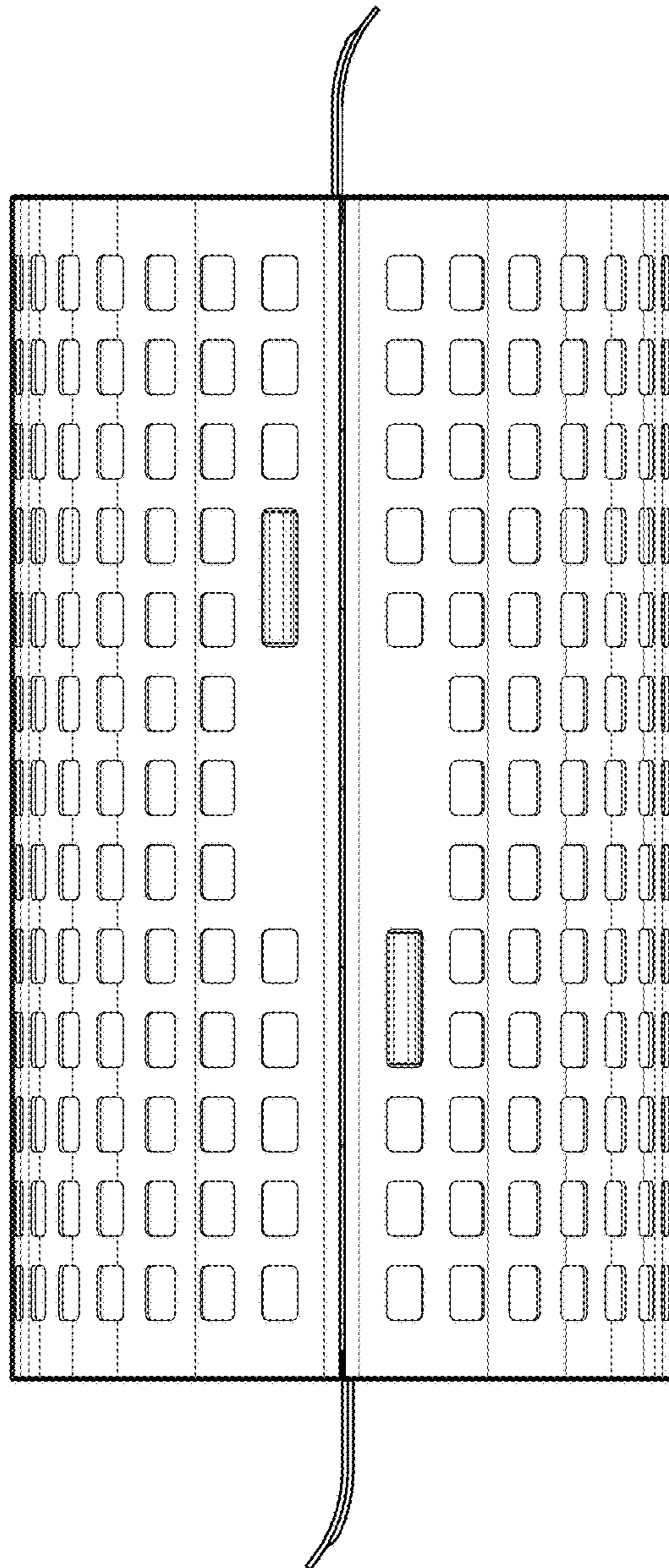


FIG. 4

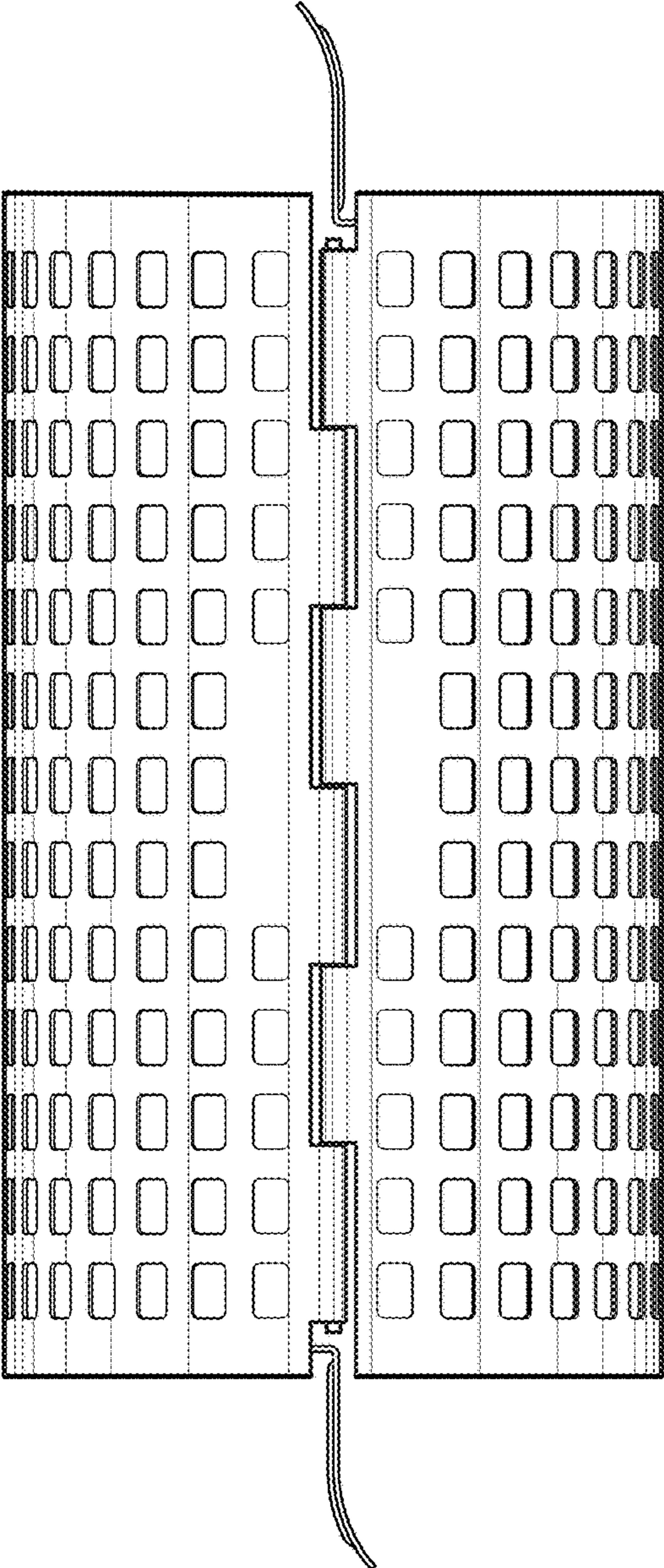


FIG. 5

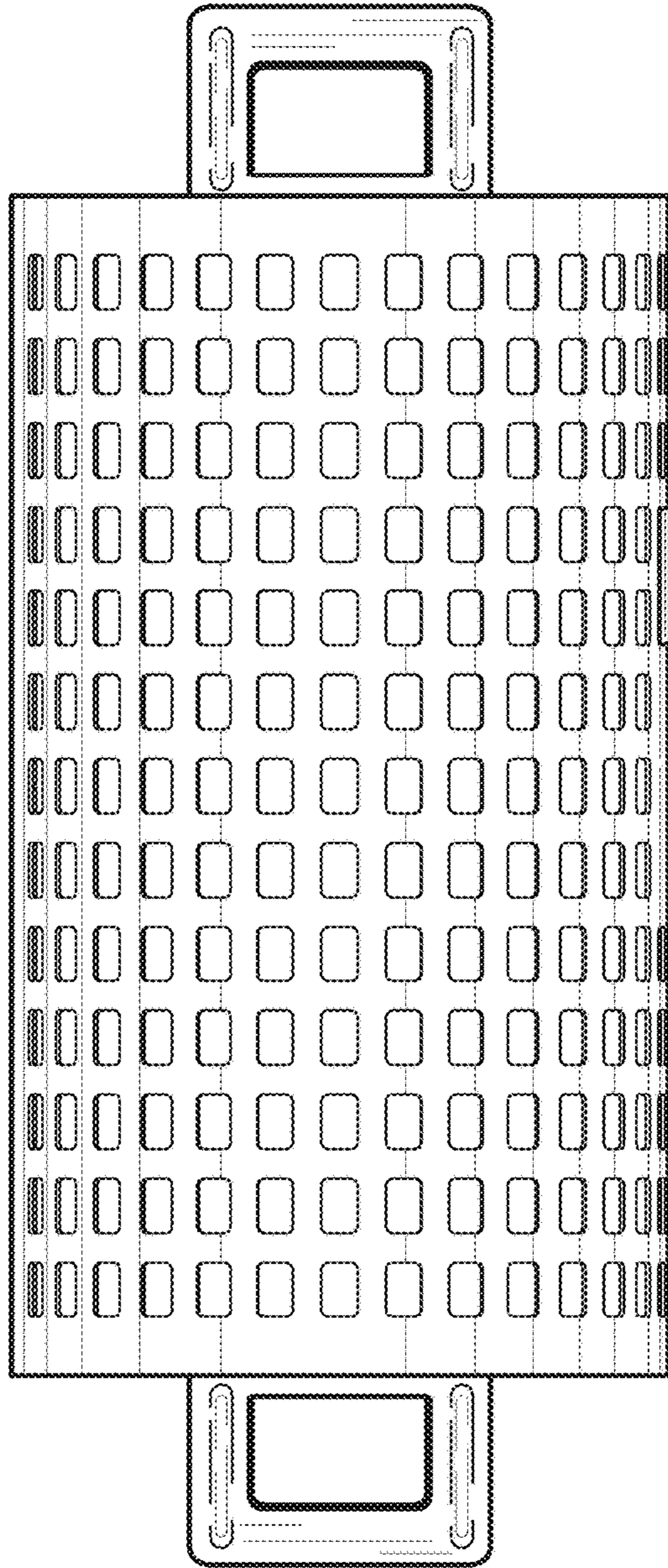


FIG. 6

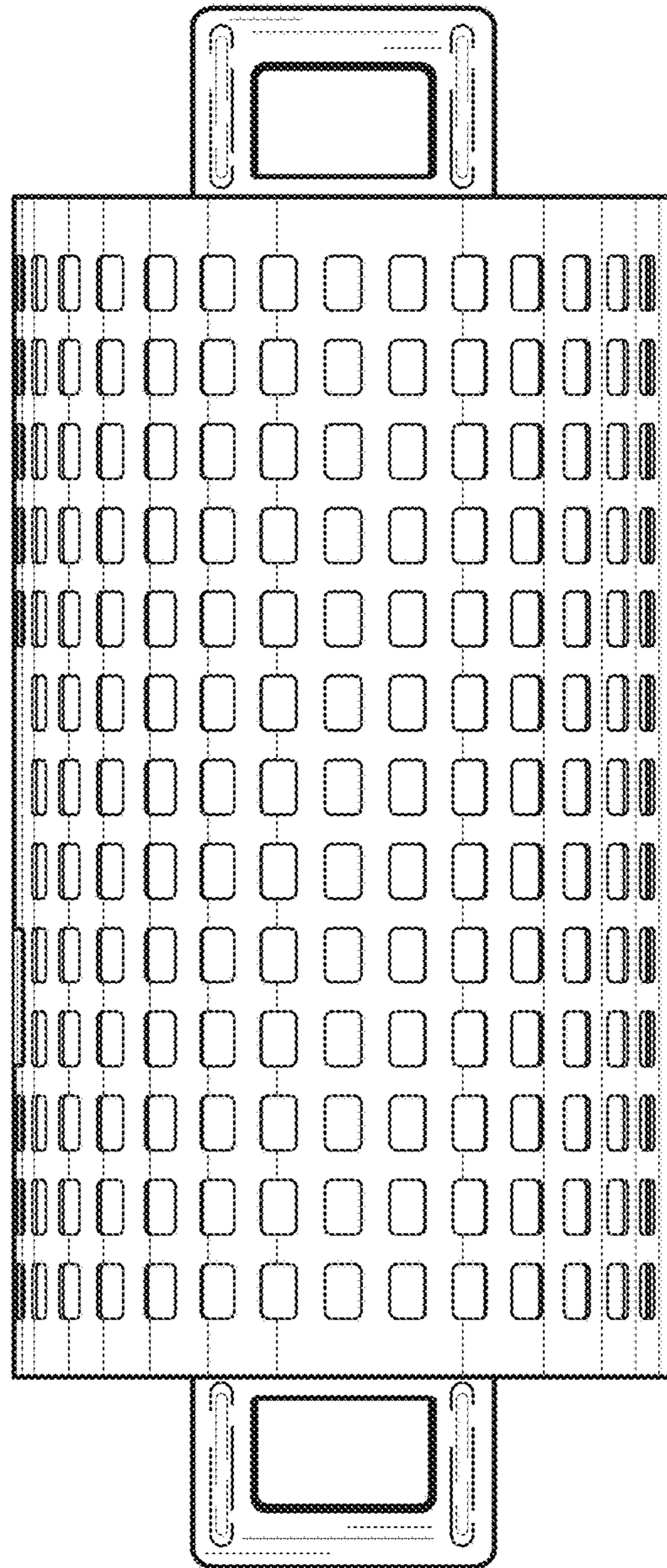


FIG. 7

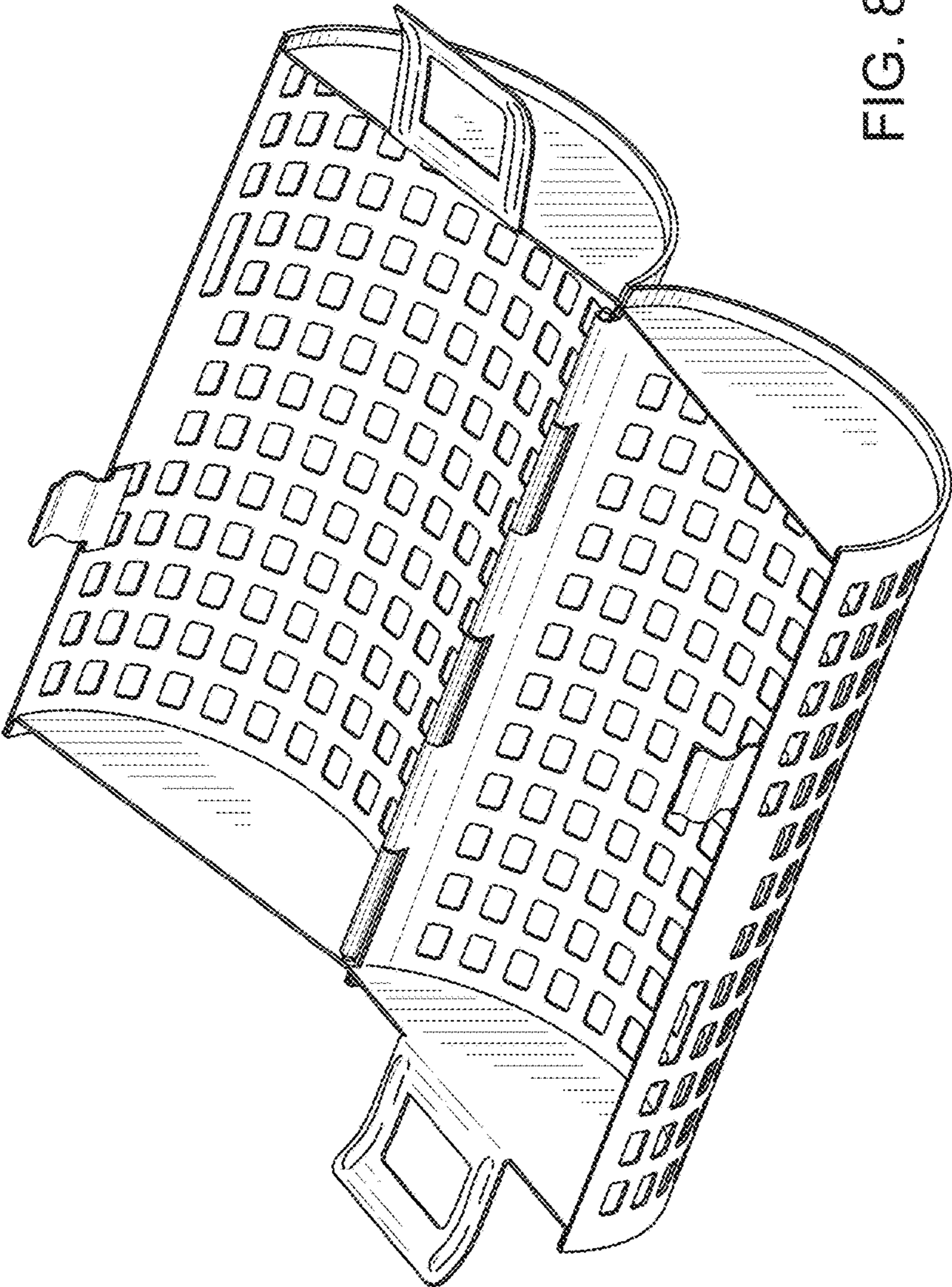


FIG. 8