



US00D863883S

(12) **United States Design Patent**
Nilssen

(10) **Patent No.:** **US D863,883 S**

(45) **Date of Patent:** **** Oct. 22, 2019**

(54) **OVEN FRONT WITH DOOR AND DISPLAY PANEL**

(71) Applicant: **Hestan Commercial Corporation,**
Anaheim, CA (US)

(72) Inventor: **Raymond Nilssen,** Fairhope, AL (US)

(73) Assignee: **Hestan Commercial Corporation,**
Anaheim, CA (US)

(**) Term: **15 Years**

(21) Appl. No.: **29/632,137**

(22) Filed: **Jan. 5, 2018**

(51) **LOC (12) Cl.** **07-02**

(52) **U.S. Cl.**
USPC **D7/405**

(58) **Field of Classification Search**
USPC D7/402-407, 346-349, 323, 339-340,
D7/350.1-350.4, 351, 332
CPC H05B 1/0261; H05B 1/0263; F24C 3/00;
F24C 3/002; F24C 5/00; F24C 7/00;
F24C 15/02
See application file for complete search history.

(56) **References Cited**

U.S. PATENT DOCUMENTS

D218,498 S *	8/1970	Wilson	D7/339
D428,562 S *	7/2000	Russett	D7/339
D561,529 S *	2/2008	Suh	D7/351
D566,464 S *	4/2008	Martin	D7/405
D569,686 S *	5/2008	Martin	D7/405
D572,526 S *	7/2008	Martin	D7/405
D646,111 S *	10/2011	Kim	D7/348

D651,036 S *	12/2011	Kim	D7/349
D653,071 S *	1/2012	Kim	D7/349
D696,069 S *	12/2013	Roberson	D7/405
D790,916 S *	7/2017	Kim	D7/406
D809,865 S *	2/2018	Nilssen	D7/406

* cited by examiner

Primary Examiner — Sheryl Lane

Assistant Examiner — Nicole C Shiflet

(74) *Attorney, Agent, or Firm* — Edward S. Sherman

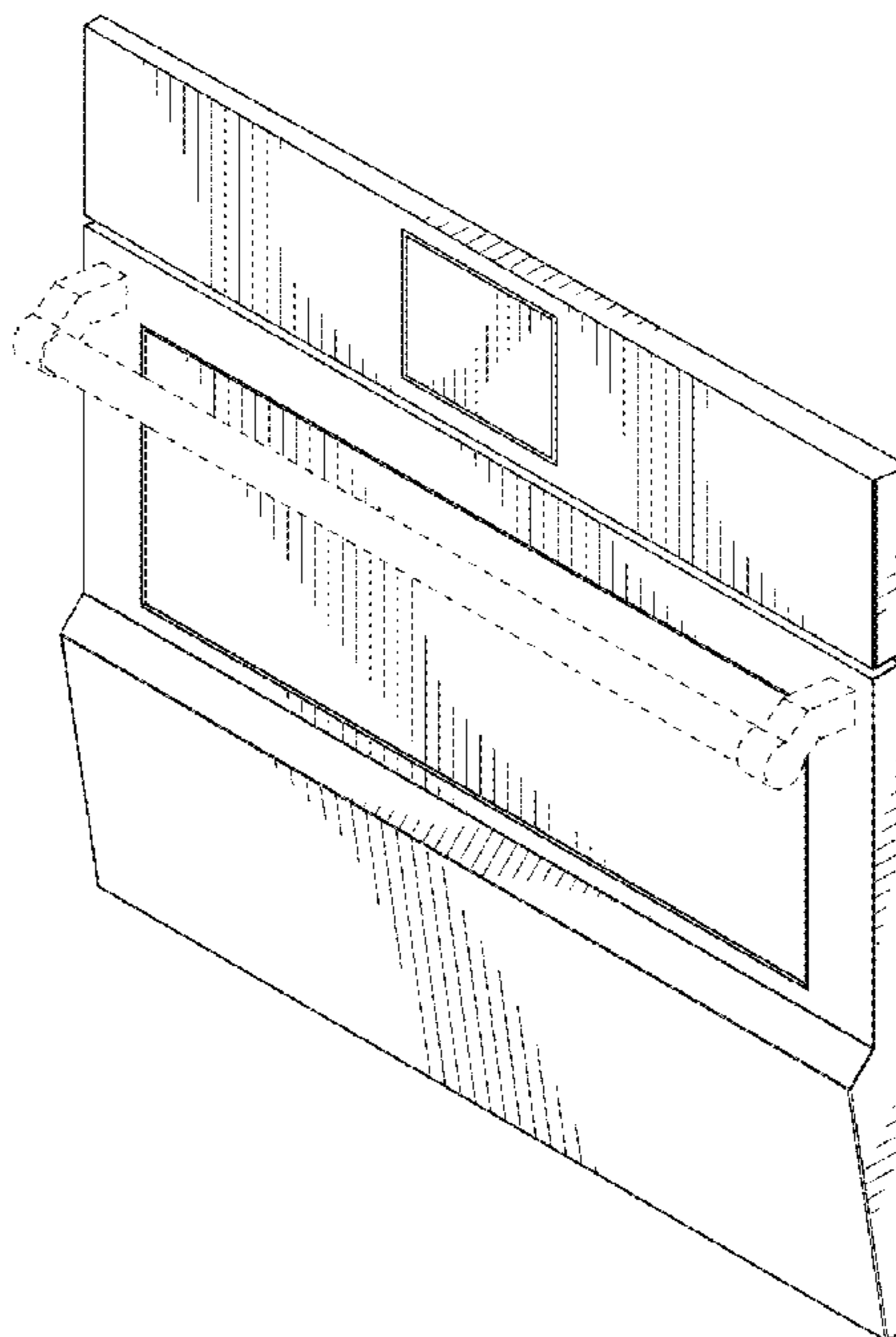
(57) **CLAIM**

The ornamental design for an oven front with door and display panel, as shown and described.

DESCRIPTION

FIG. 1 is a front perspective view of the oven front with door and display panel showing my new design;
FIG. 2 is a front elevation view thereof;
FIG. 3 is a right side elevation view, the left side elevation being the mirror image thereof;
FIG. 4 is a top plan view thereof;
FIG. 5 is a bottom plan view thereof;
FIG. 6 is a front perspective view of a second embodiment of the oven front with door and display panel showing my new design;
FIG. 7 is a front elevation view thereof;
FIG. 8 is a right side elevation view, the left side elevation being the mirror image thereof;
FIG. 9 is a top plan view thereof; and,
FIG. 10 is a bottom plan view thereof.
The broken lines in FIG.'s 1-10 show portions of the article that form no part of the claimed design.

1 Claim, 8 Drawing Sheets



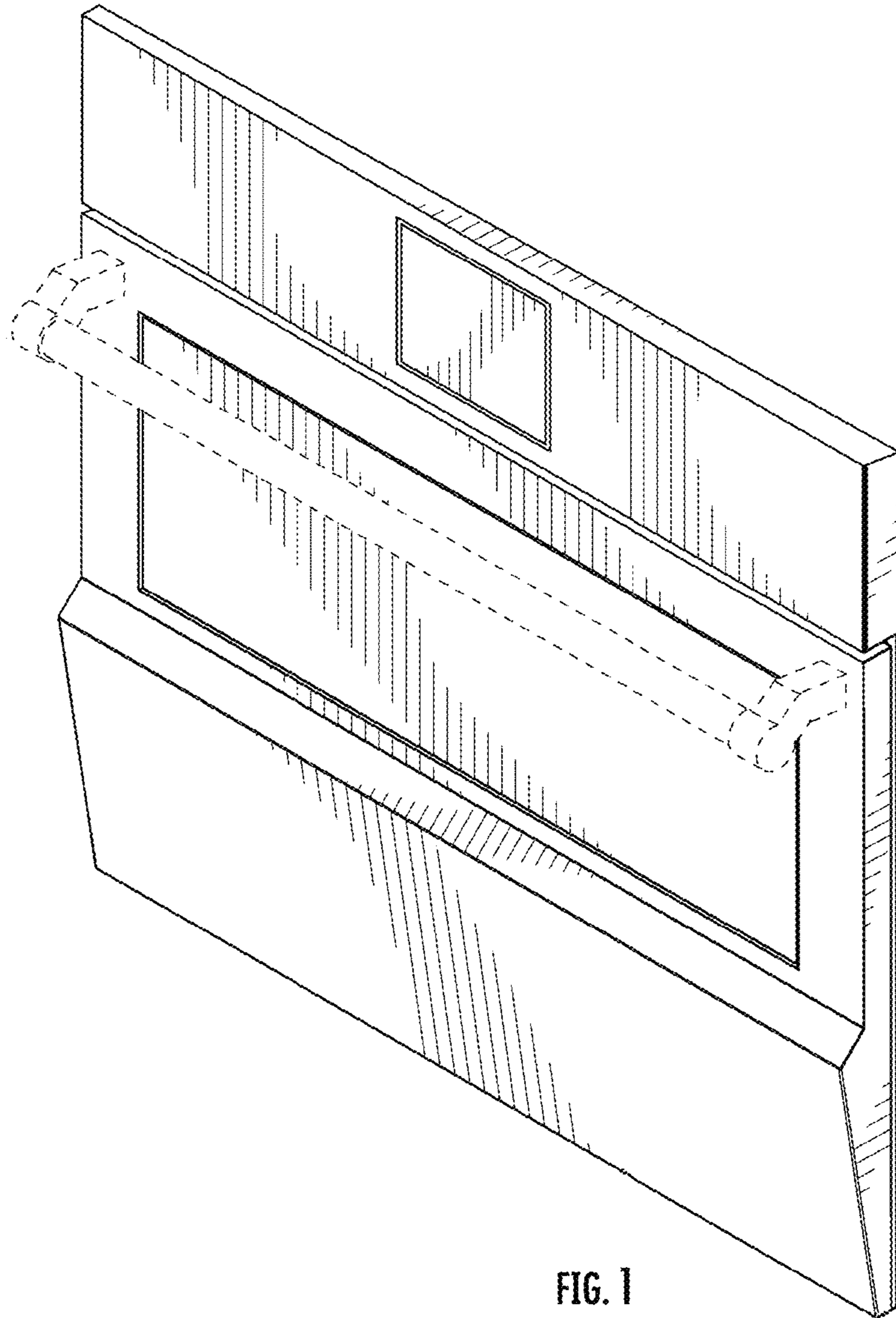


FIG. 1

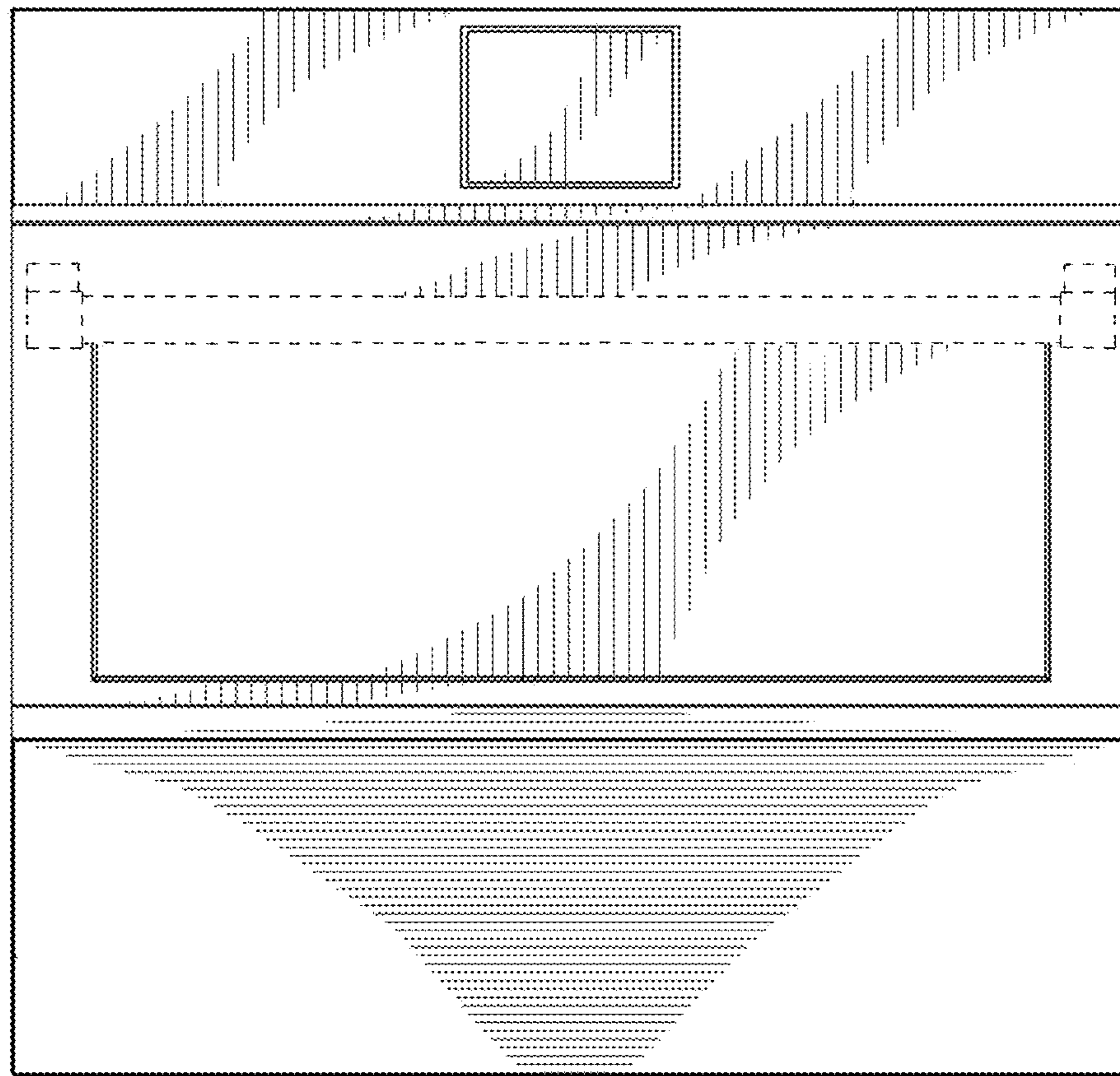


FIG. 2

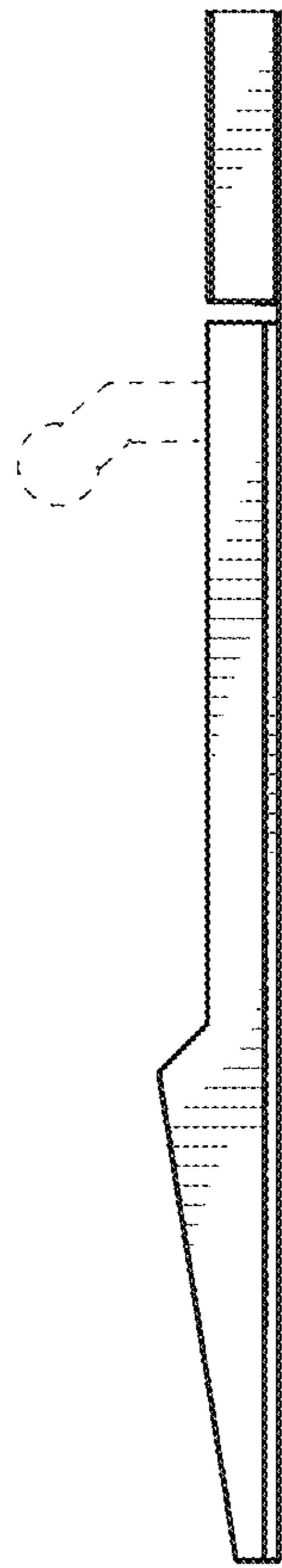


FIG. 3

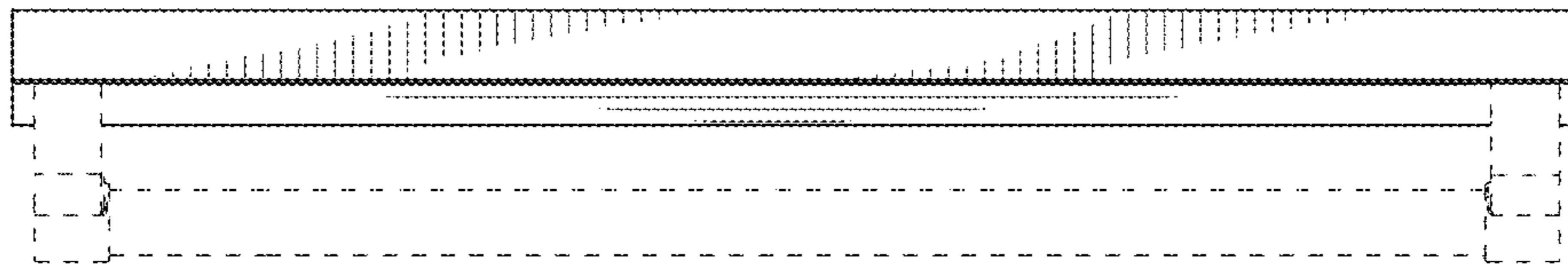


FIG. 4

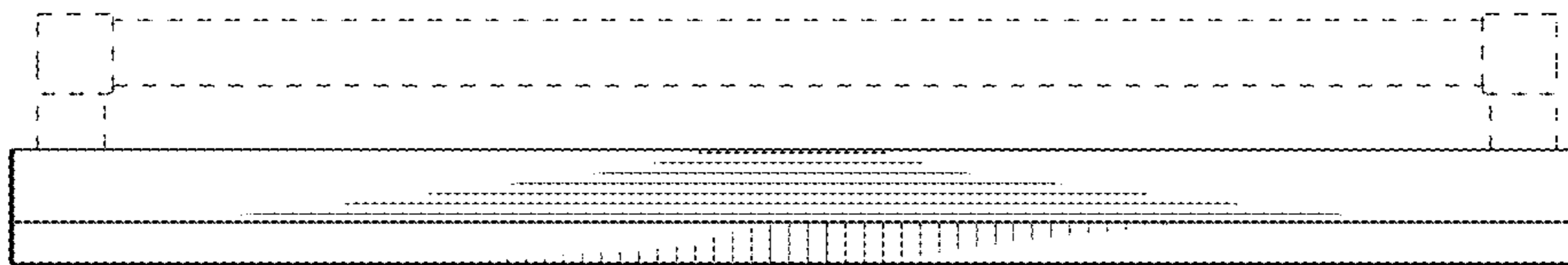


FIG. 5

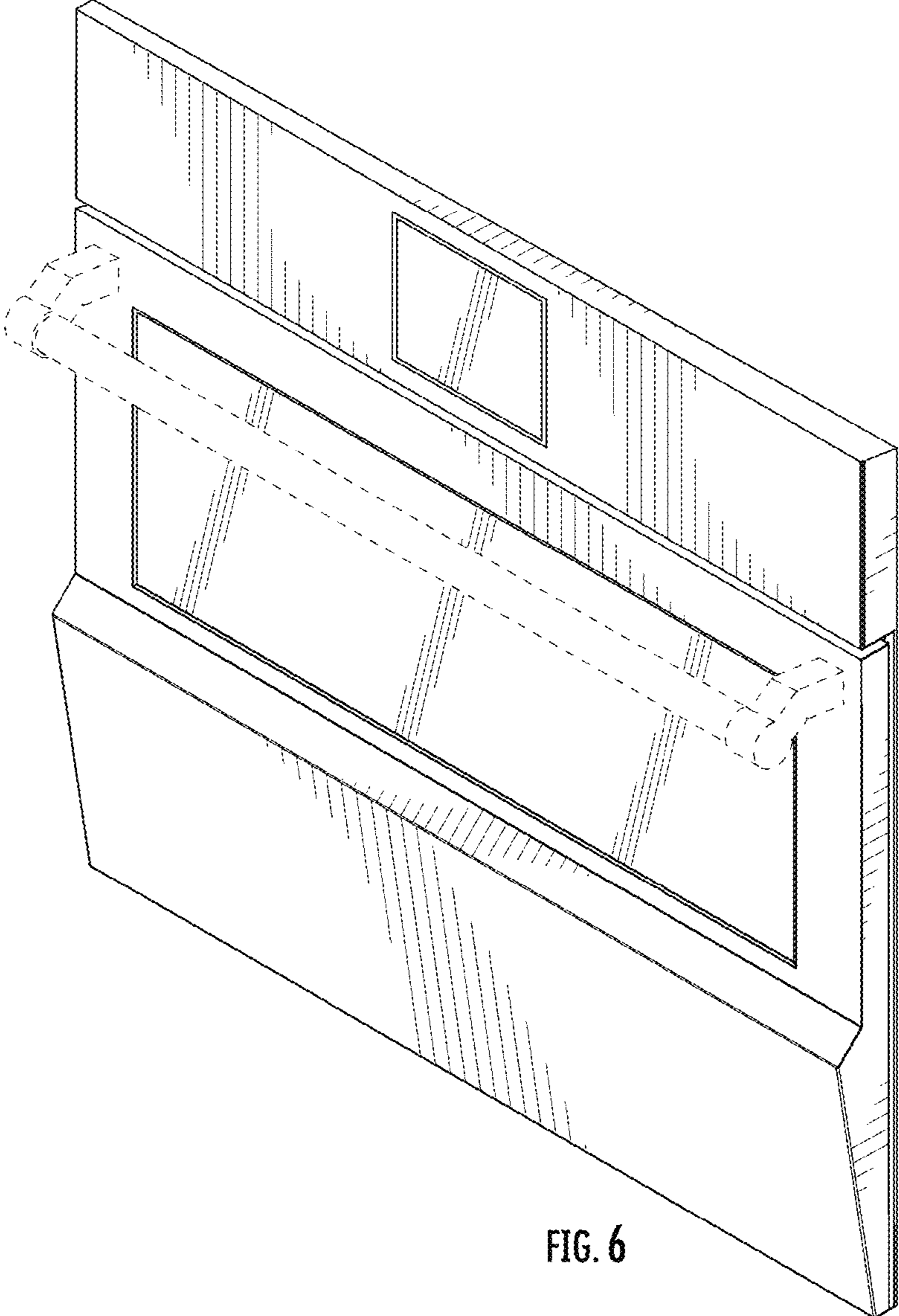


FIG. 6

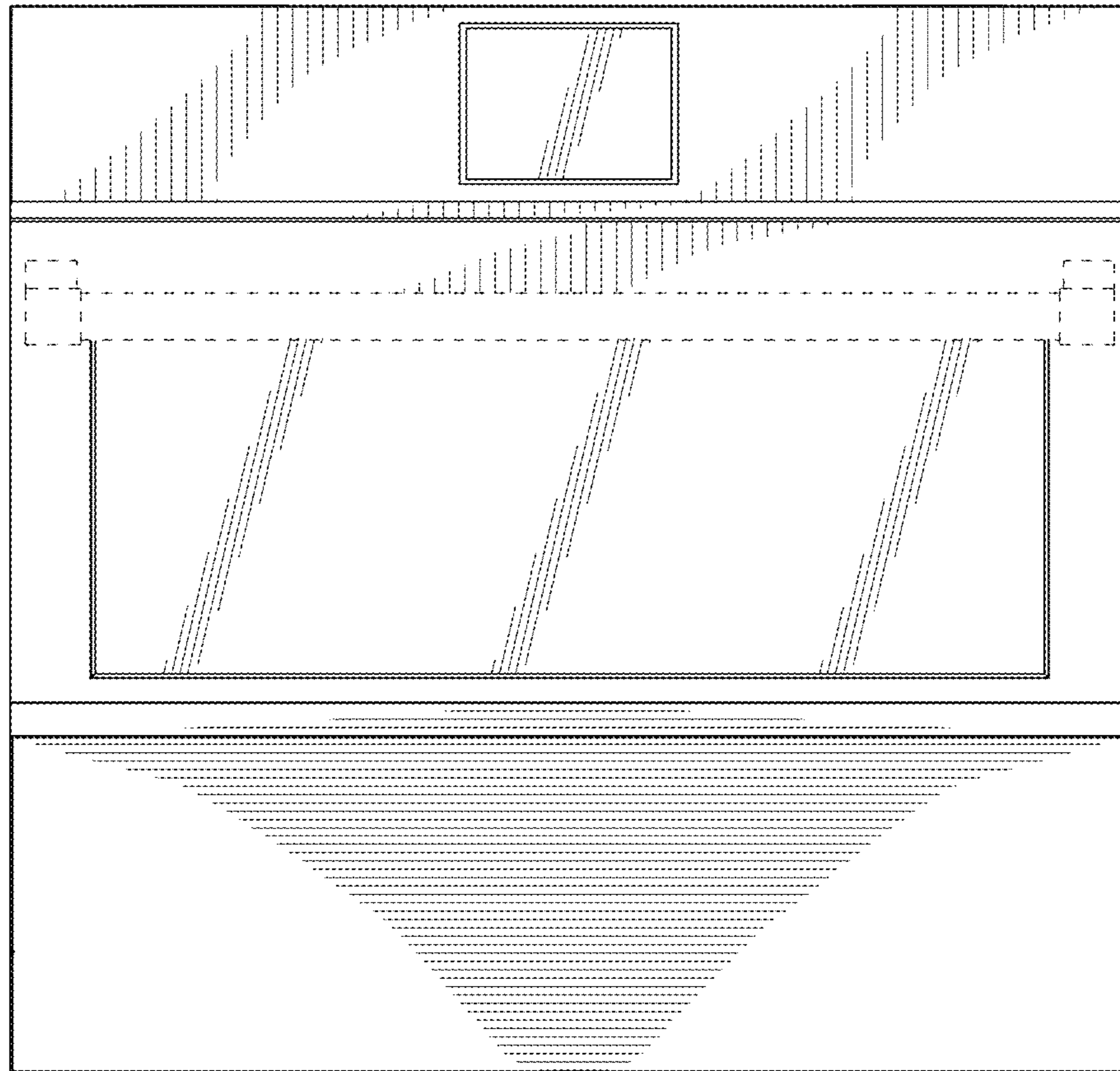


FIG. 7

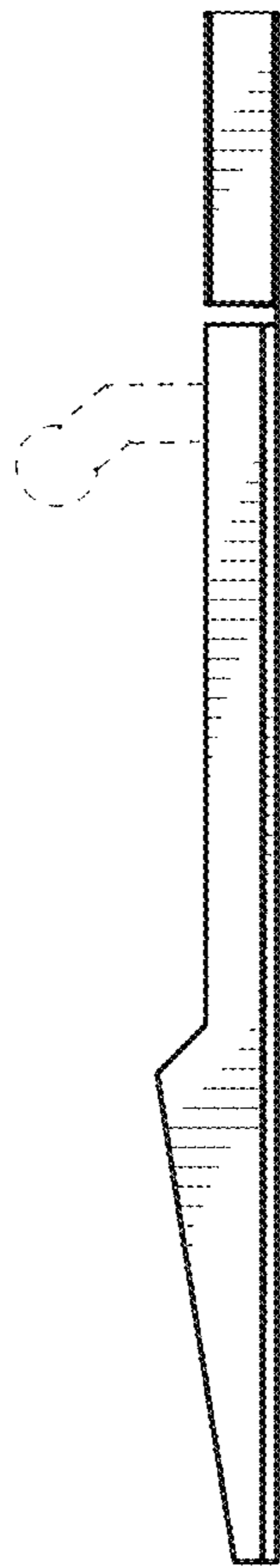


FIG. 8

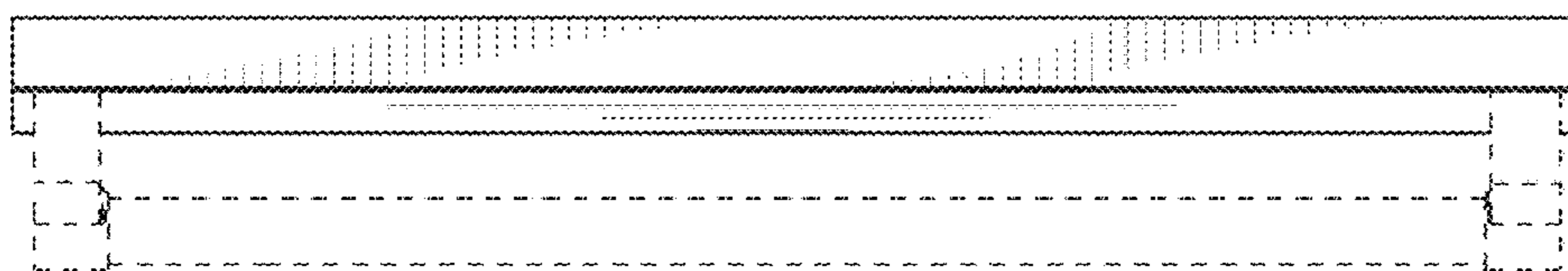


FIG. 9

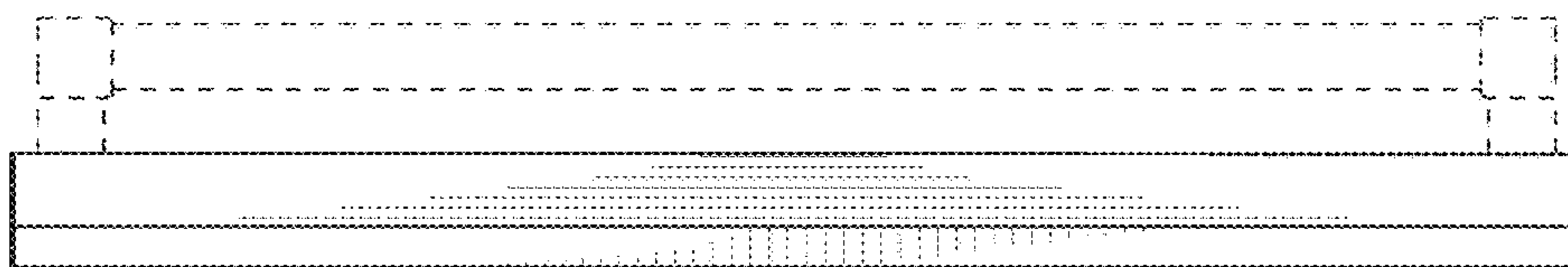


FIG. 10