



US00D863882S

(12) **United States Design Patent**
Kim et al.

(10) **Patent No.:** **US D863,882 S**

(45) **Date of Patent:** **** Oct. 22, 2019**

(54) **GAS RANGE**

(71) Applicant: **Samsung Electronics Co., Ltd.**,
Suwon-si (KR)

(72) Inventors: **Jaejun Kim**, Seoul (KR); **Jichang Kang**, Seoul (KR); **Hyunsoo Kim**,
Seongnam-si (KR); **Gisung Han**, Seoul
(KR)

(73) Assignee: **Samsung Electronics Co., Ltd.**,
Suwon-si (KR)

(**) Term: **15 Years**

(21) Appl. No.: **29/619,527**

(22) Filed: **Sep. 29, 2017**

(30) **Foreign Application Priority Data**

Jun. 19, 2017 (KR) 30-2017-0028182

(51) **LOC (12) Cl.** **07-02**

(52) **U.S. Cl.**
USPC **D7/405**

(58) **Field of Classification Search**
USPC D7/402-407, 346-349, 323, 339-340,
D7/350.1-350.4, 351, 332
CPC H05B 1/0261; H05B 1/0263; F24C 3/00;
F24C 3/002; F24C 5/00; F24C 7/00;
F24C 15/02
See application file for complete search history.

(56) **References Cited**

U.S. PATENT DOCUMENTS

D717,595 S * 11/2014 Knoll D7/402
D736,027 S * 8/2015 Funnell, II D7/339

D760,024 S * 6/2016 Funnell, II D7/405
D763,617 S * 8/2016 Kim D7/339
D767,325 S * 9/2016 Funnell, II D7/346
D773,232 S * 12/2016 Shoemaker D7/339
D781,096 S * 3/2017 Kim D7/339
D782,872 S * 4/2017 Cho D7/406
D786,006 S * 5/2017 Chung D7/340
D817,066 S * 5/2018 Shoemaker D7/339
D817,067 S * 5/2018 Shoemaker D7/349
D840,184 S * 2/2019 Kim D7/349
D840,738 S * 2/2019 Chung D7/340

* cited by examiner

Primary Examiner — Sheryl Lane

Assistant Examiner — Nicole C Shiflet

(74) *Attorney, Agent, or Firm* — NSIP Law

(57) **CLAIM**

We claim the ornamental design for a gas range, as shown and described.

DESCRIPTION

FIG. 1 is a front perspective view of a gas range showing our new design;
FIG. 2 is a front elevational view thereof;
FIG. 3 is a rear elevational view thereof;
FIG. 4 is a left-side elevational view thereof;
FIG. 5 is a right-side elevational view thereof;
FIG. 6 is a top plan view thereof; and,
FIG. 7 is a bottom plan view thereof.

The broken lines in the figures depict environmental subject matter and form no part of the claimed design.

1 Claim, 7 Drawing Sheets

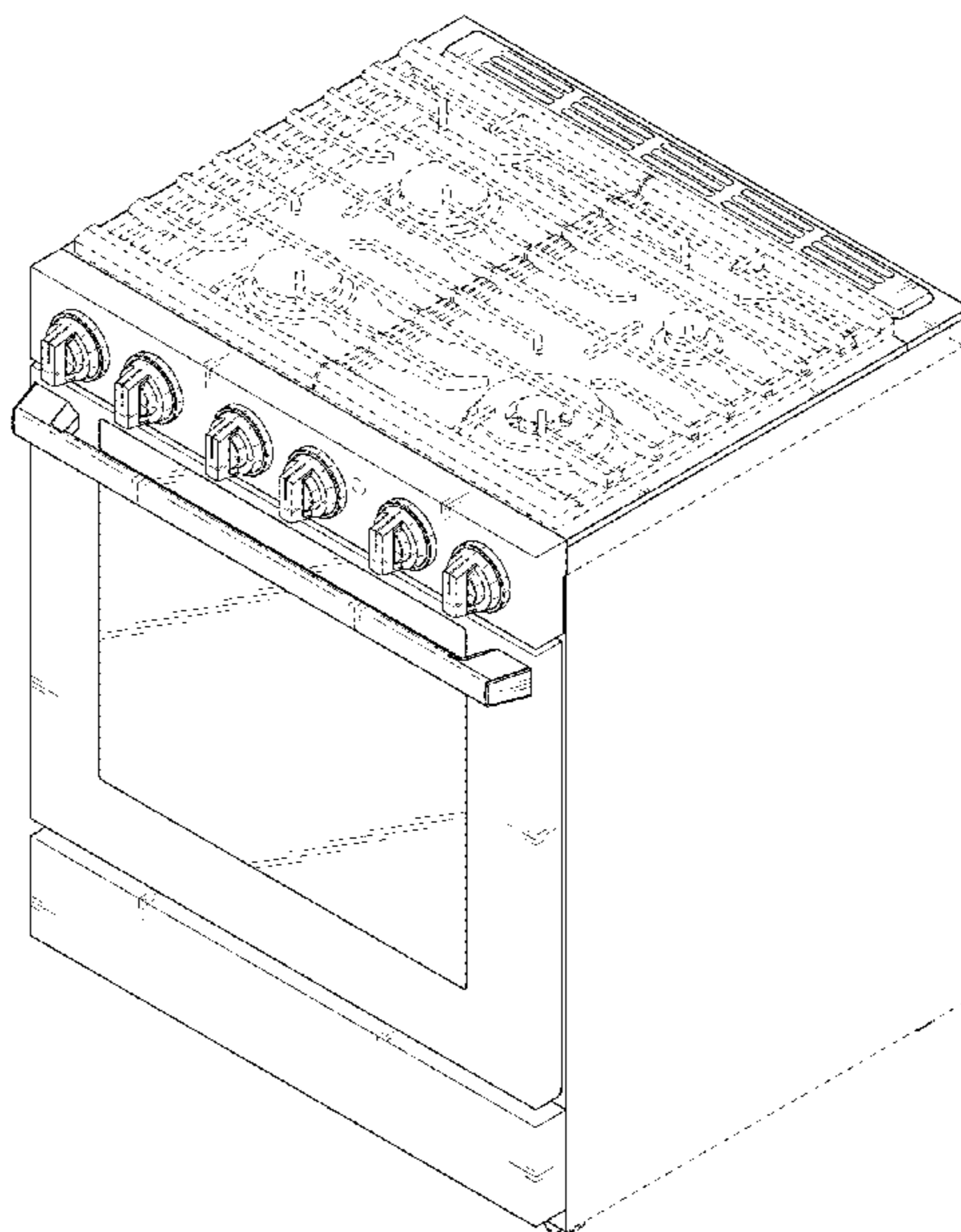


FIG. 1

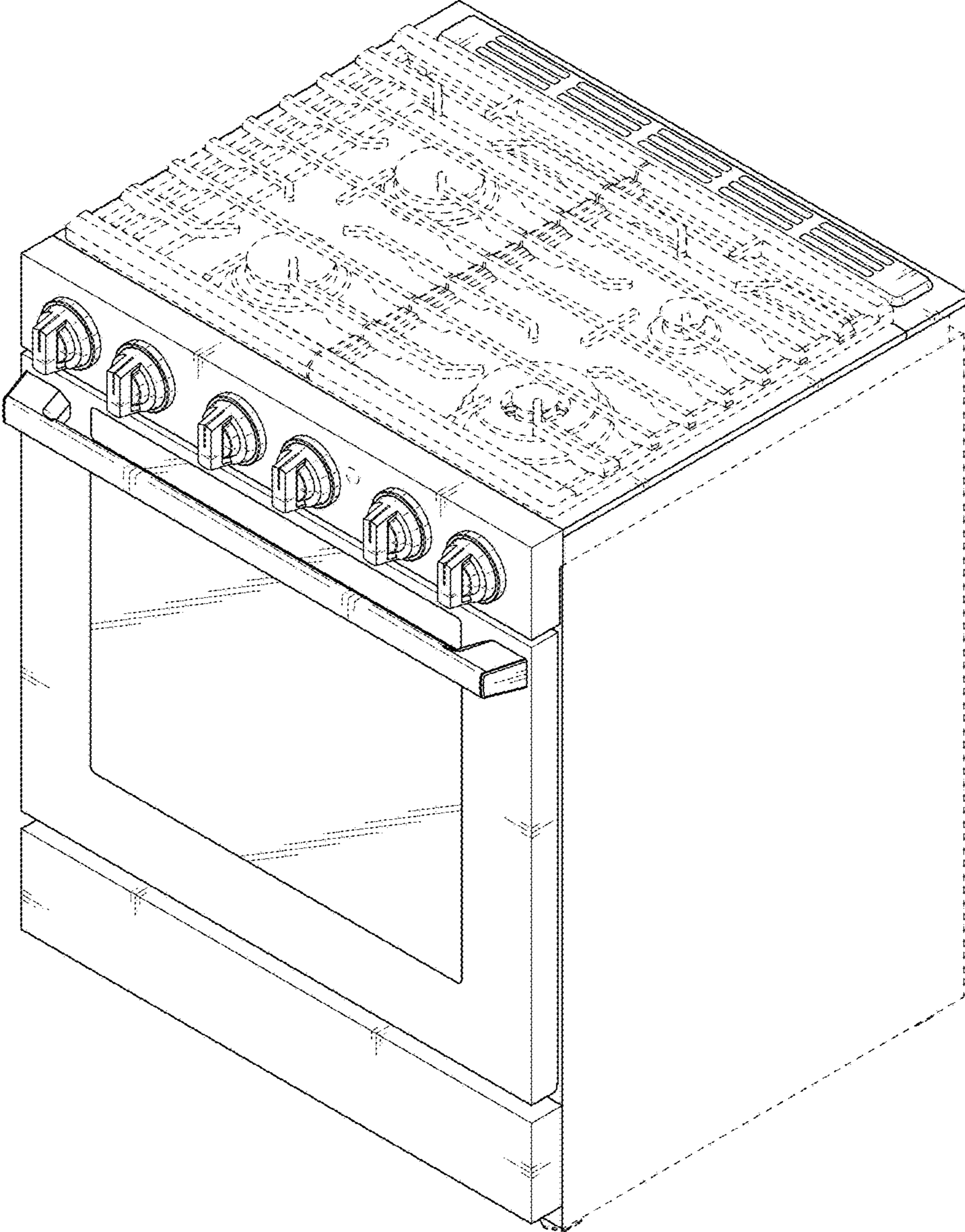


FIG. 2

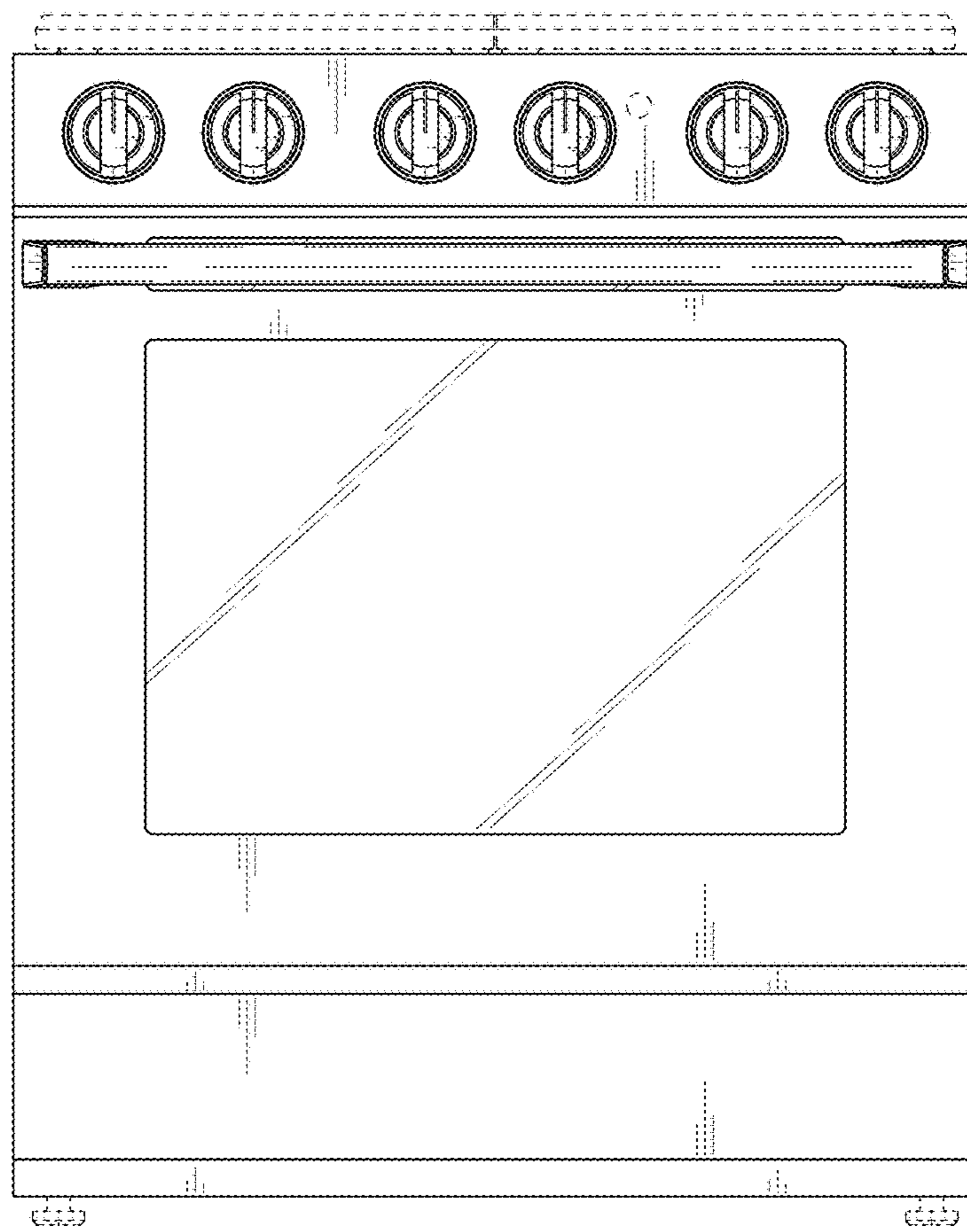


FIG. 3



FIG. 4

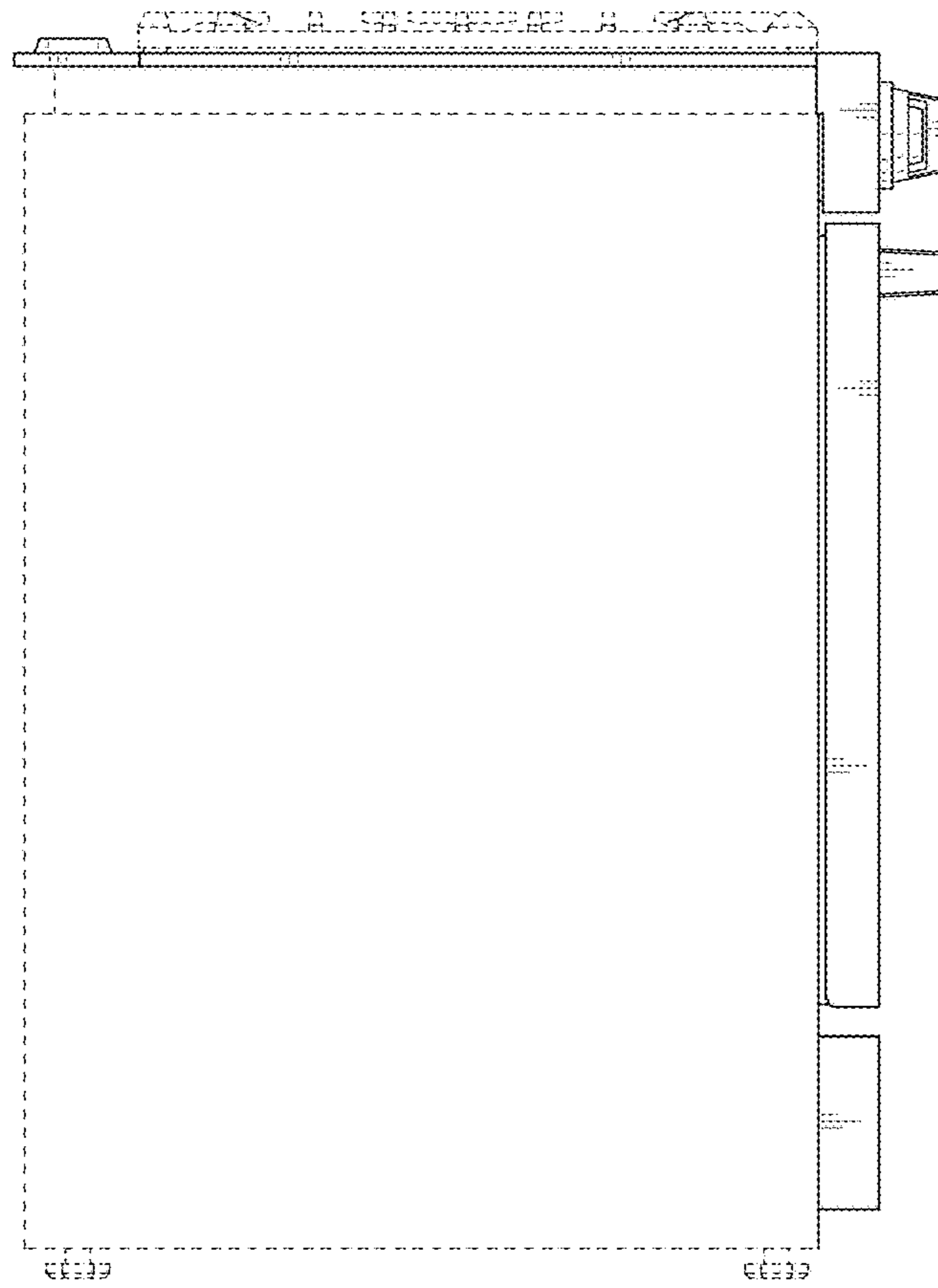


FIG. 5

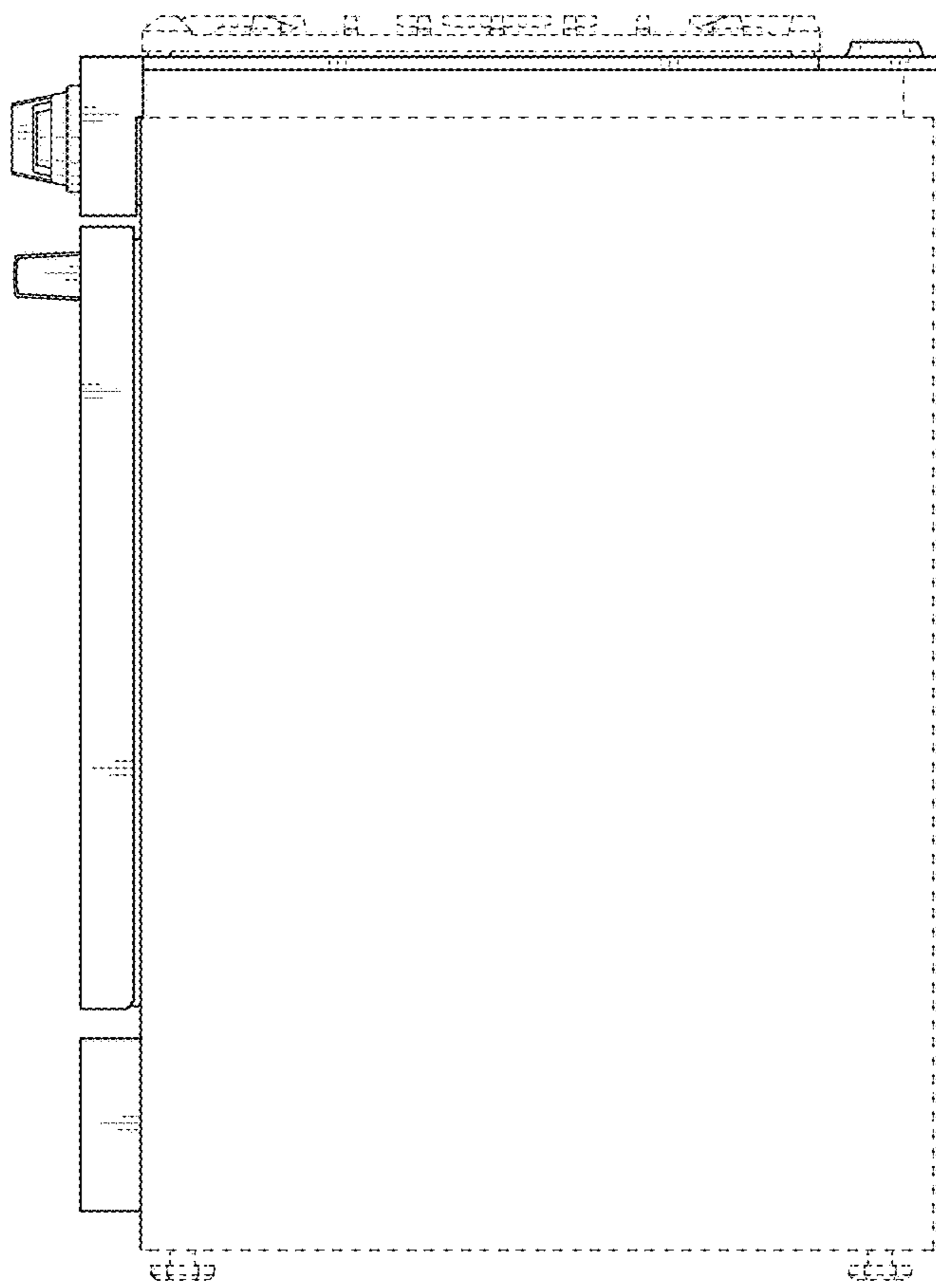


FIG. 6

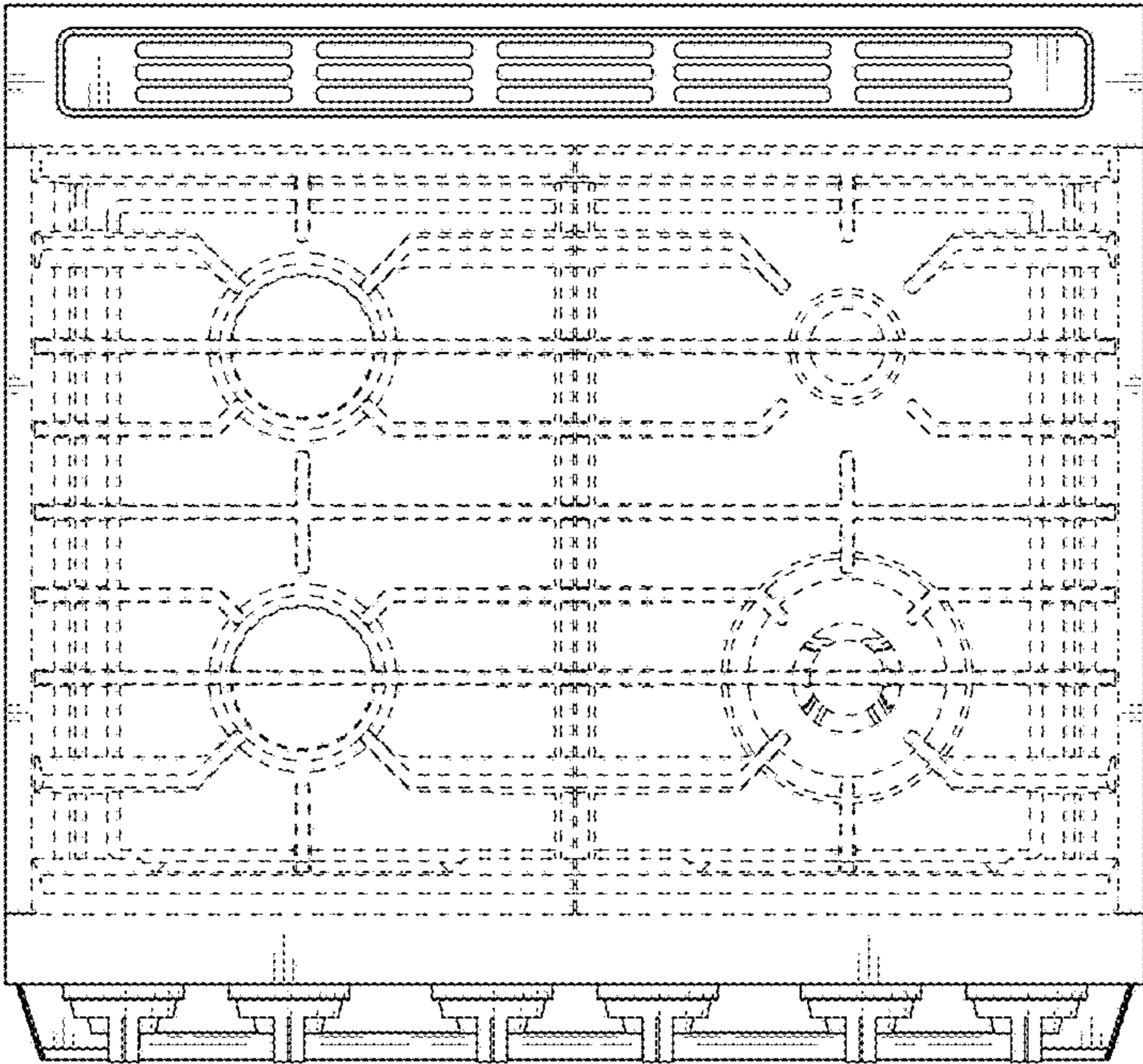


FIG. 7

