



US00D863881S

(12) **United States Design Patent** (10) **Patent No.:** **US D863,881 S**
Umholtz et al. (45) **Date of Patent:** **** Oct. 22, 2019**

(54) **COFFEE MAKER WATER RESERVOIR**
(71) Applicants: **Mason Adam Umholtz**, Brooklyn, NY (US); **Neil Kwiatkowski**, Queens, NY (US); **Justin Zernhelt**, Brooklyn, NY (US)

(72) Inventors: **Mason Adam Umholtz**, Brooklyn, NY (US); **Neil Kwiatkowski**, Queens, NY (US); **Justin Zernhelt**, Brooklyn, NY (US)

(73) Assignee: **HELEN OF TROY LIMITED**, St. Michael (BB)

(**) Term: **15 Years**

(21) Appl. No.: **29/635,869**

(22) Filed: **Feb. 3, 2018**

(51) **LOC (12) Cl.** **07-01**

(52) **U.S. Cl.**
USPC **D7/399**; D7/309; D7/310; D7/397

(58) **Field of Classification Search**
USPC D7/300, 309-311, 306-308, 305, 397, D7/399, 355, 362, 365, 367; 222/146.6, 222/185.1, 135; 99/295, 273, 304, 288, 99/279, 307, 283; D23/207, 209
CPC A47J 31/02; A47J 31/407; A47J 31/50; A47J 31/18; A47J 31/061; A47J 27/04; A47J 31/0573; A47J 31/52; B67D 1/0036
See application file for complete search history.

(56) **References Cited**

U.S. PATENT DOCUMENTS

- 4,920,868 A * 5/1990 Gehrman A47J 31/0573 285/347
- D316,795 S * 5/1991 Brewer D7/308
- D345,484 S * 3/1994 Mason D7/309

- D454,023 S * 3/2002 Wang D7/309
- D489,217 S * 5/2004 Seum D7/309
- D496,213 S * 9/2004 Midden D7/309
- D511,066 S * 11/2005 Garner D7/309
- D541,097 S * 4/2007 Leverrier D7/300
- D575,571 S * 8/2008 Hammad D7/300
- D580,208 S * 11/2008 Cheng D7/306
- D590,652 S * 4/2009 Cesaroni D7/309
- D624,780 S * 10/2010 Bodum D7/309
- D628,007 S * 11/2010 Di Bitonto D7/309
- D669,154 S * 10/2012 Choi D23/207
- D718,972 S * 12/2014 Jorgensen D7/309
- D726,482 S * 4/2015 Cahen D7/309
- D726,483 S * 4/2015 Lin D7/309
- D760,010 S * 6/2016 Hellweg D7/309
- D788,510 S * 6/2017 Steiner D7/306
- D791,533 S * 7/2017 Bond D7/309
- D793,146 S * 8/2017 Palermo D7/306
- D812,952 S * 3/2018 Fedorak D7/306
- D816,383 S * 5/2018 Liang D7/310
- D832,019 S * 10/2018 Cahen D7/306
- D836,371 S * 12/2018 Cahen D7/306
- D843,765 S * 3/2019 Fedorak D7/306

(Continued)

Primary Examiner — Marianne N Pandozzi

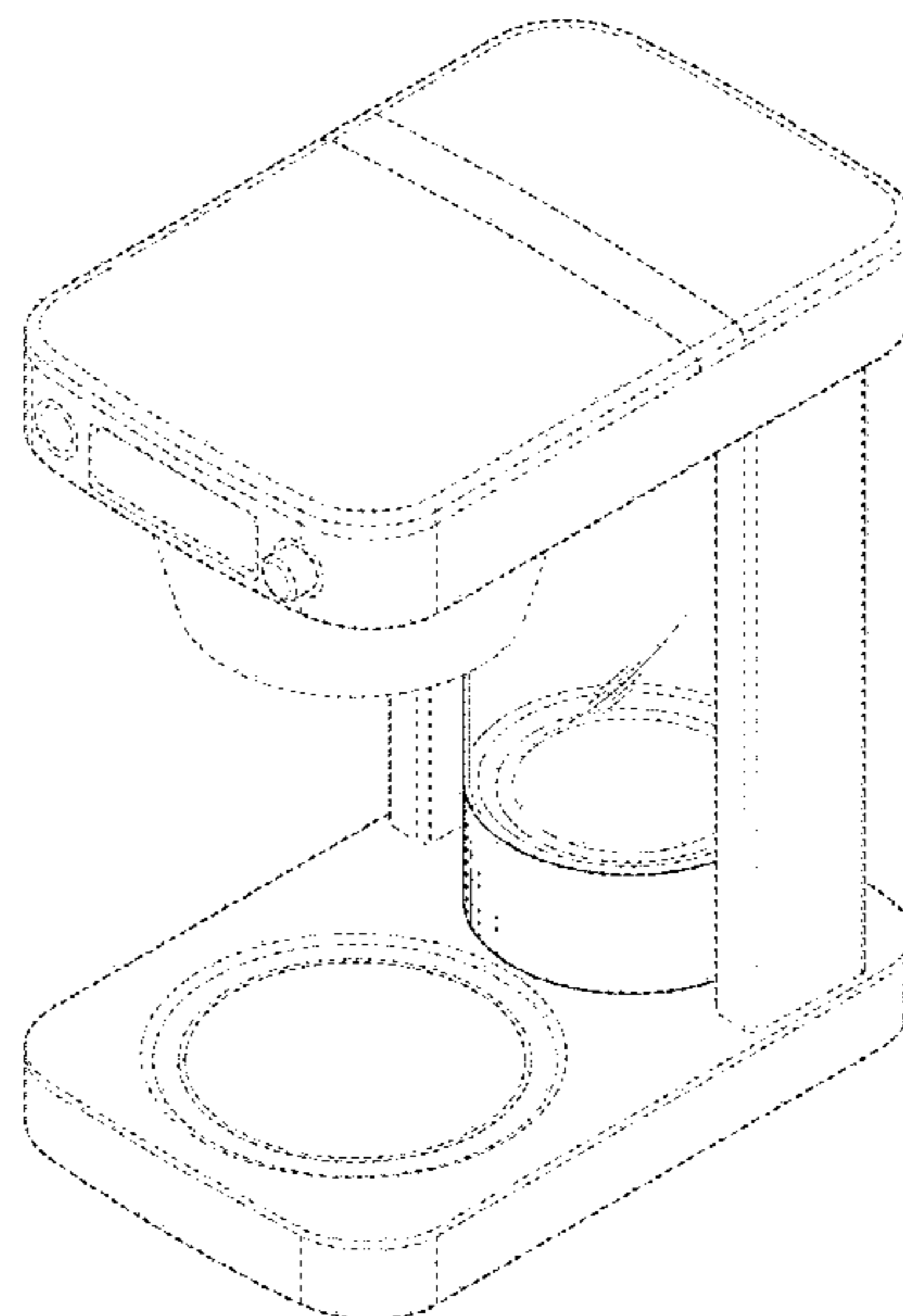
(57) **CLAIM**

The ornamental design for a coffee maker water reservoir, as shown, and described.

DESCRIPTION

FIG. 1 is a perspective view of the coffee maker water reservoir;
FIG. 2 is a front elevation view thereof;
FIG. 3 is a rear elevation view thereof;
FIG. 4 is a right side elevation view thereof;
FIG. 5 is a left side elevation view thereof;
FIG. 6 is a top view thereof; and,
FIG. 7 is a bottom view thereof.
The broken lines represent unclaimed matter and form no part of the claimed design.

1 Claim, 7 Drawing Sheets



(56)

References Cited

U.S. PATENT DOCUMENTS

D846,329 S * 4/2019 Zimmermann D7/310
2018/0215603 A1 * 8/2018 Hecht B67D 1/0036

* cited by examiner

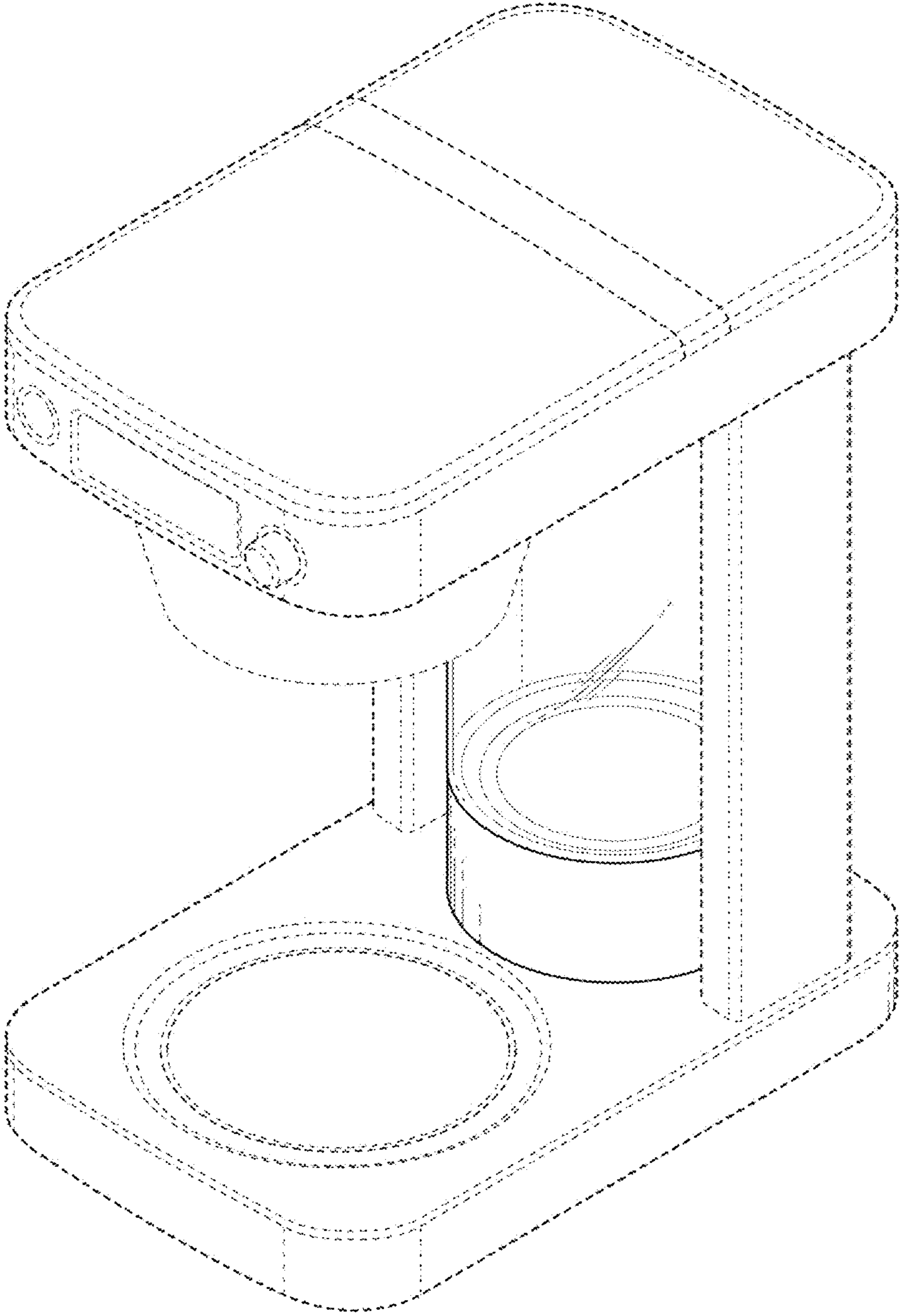


FIG. 1

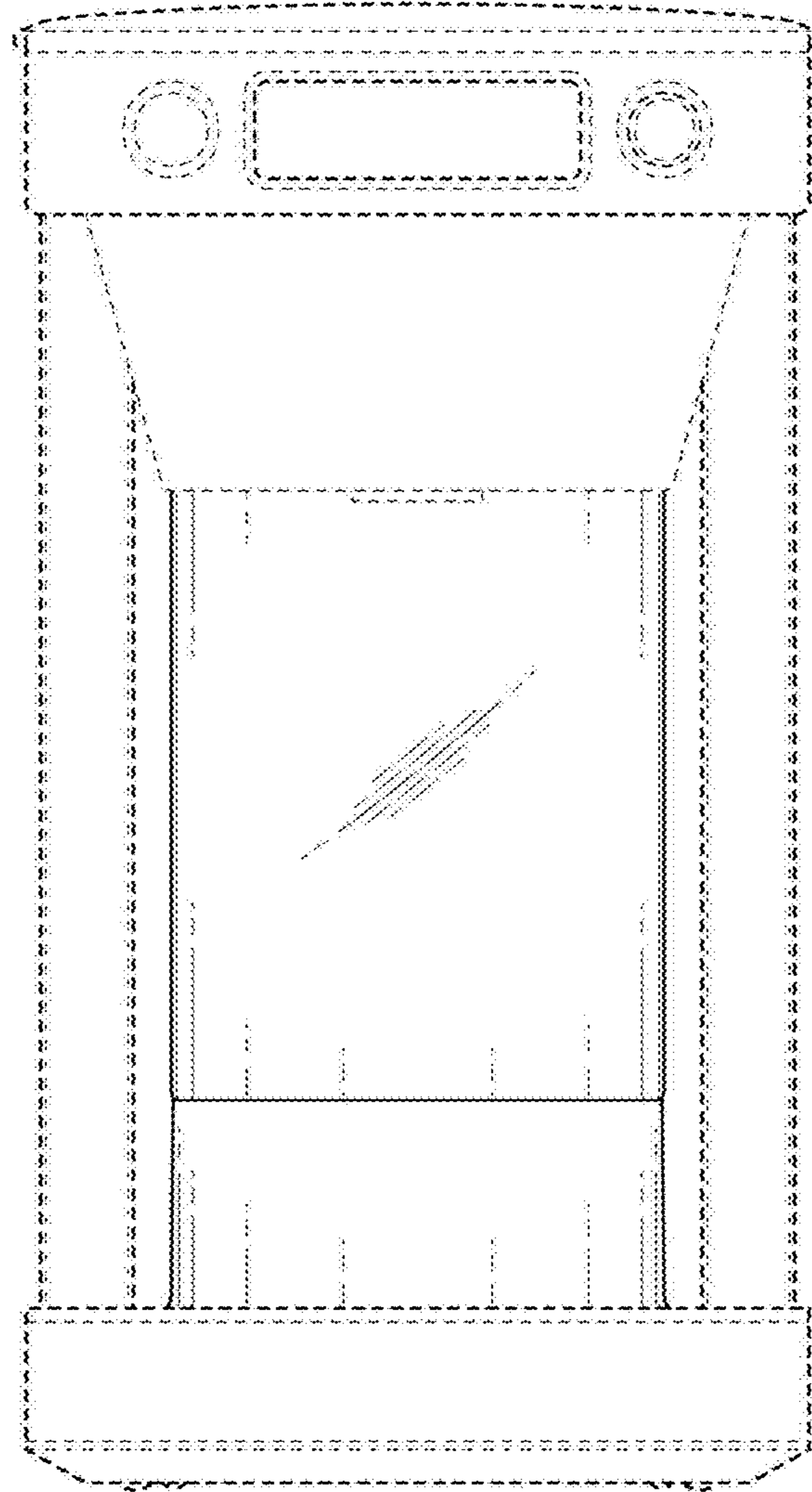


FIG. 2

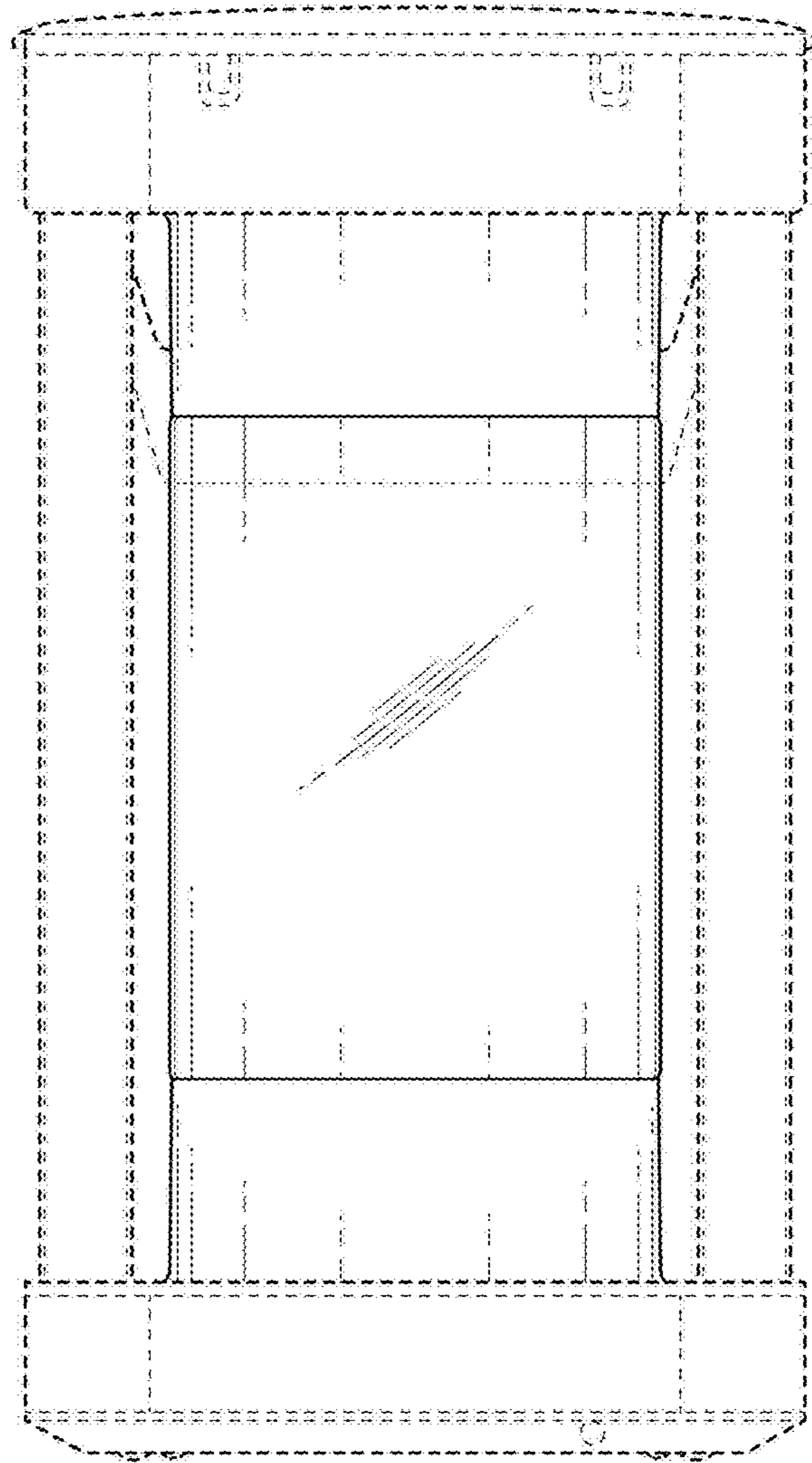


FIG. 3

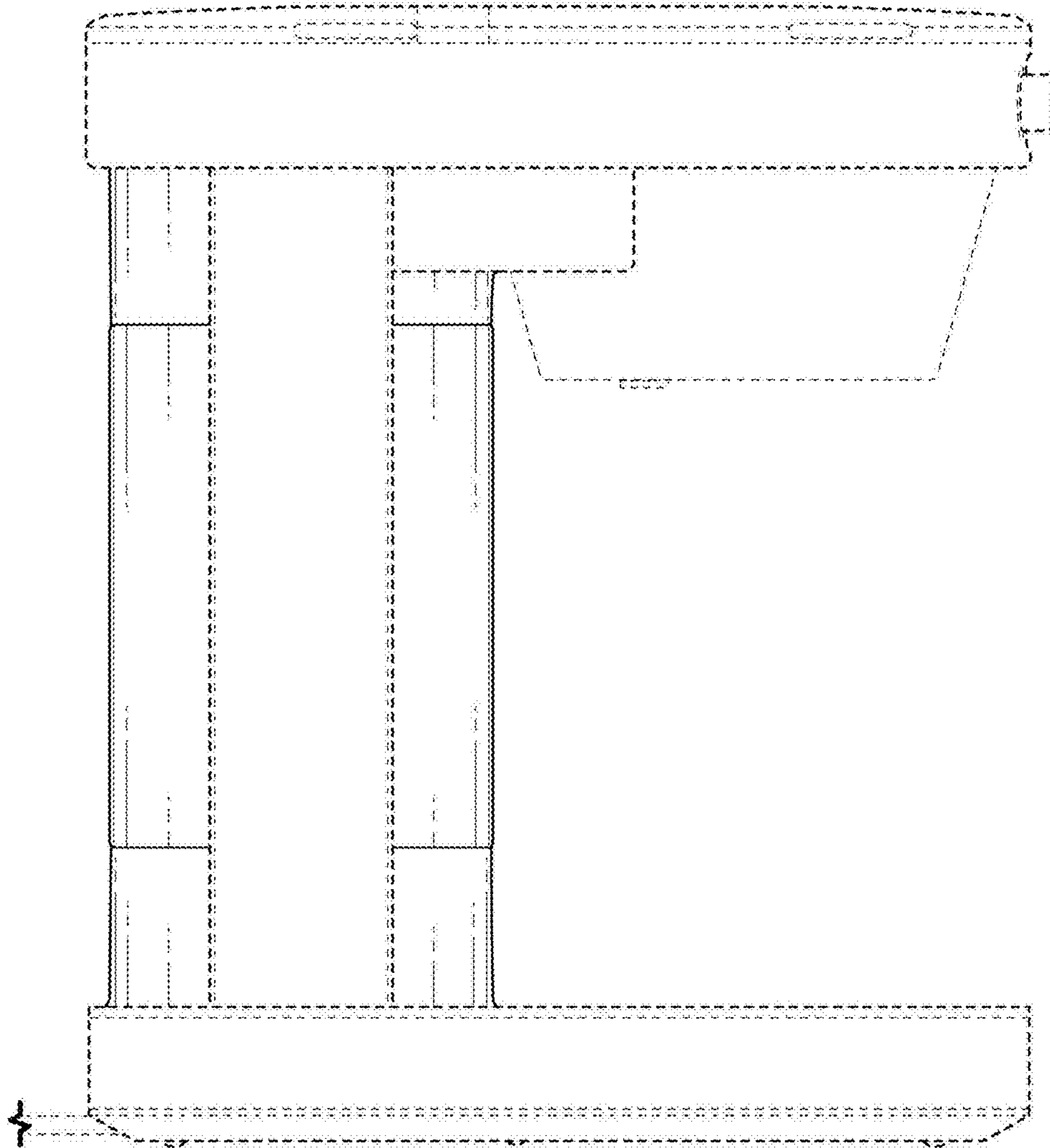


FIG. 4

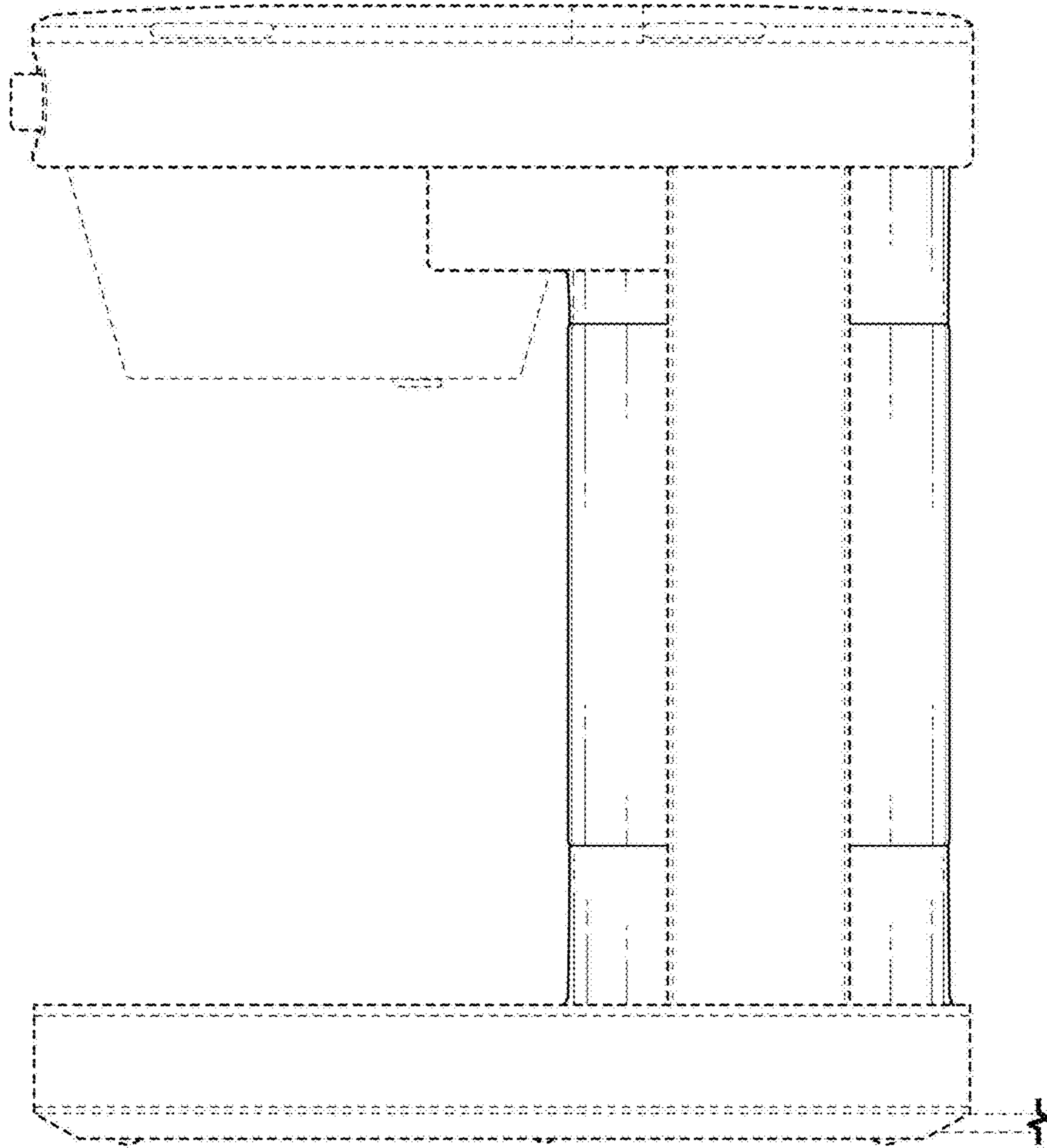


FIG. 5

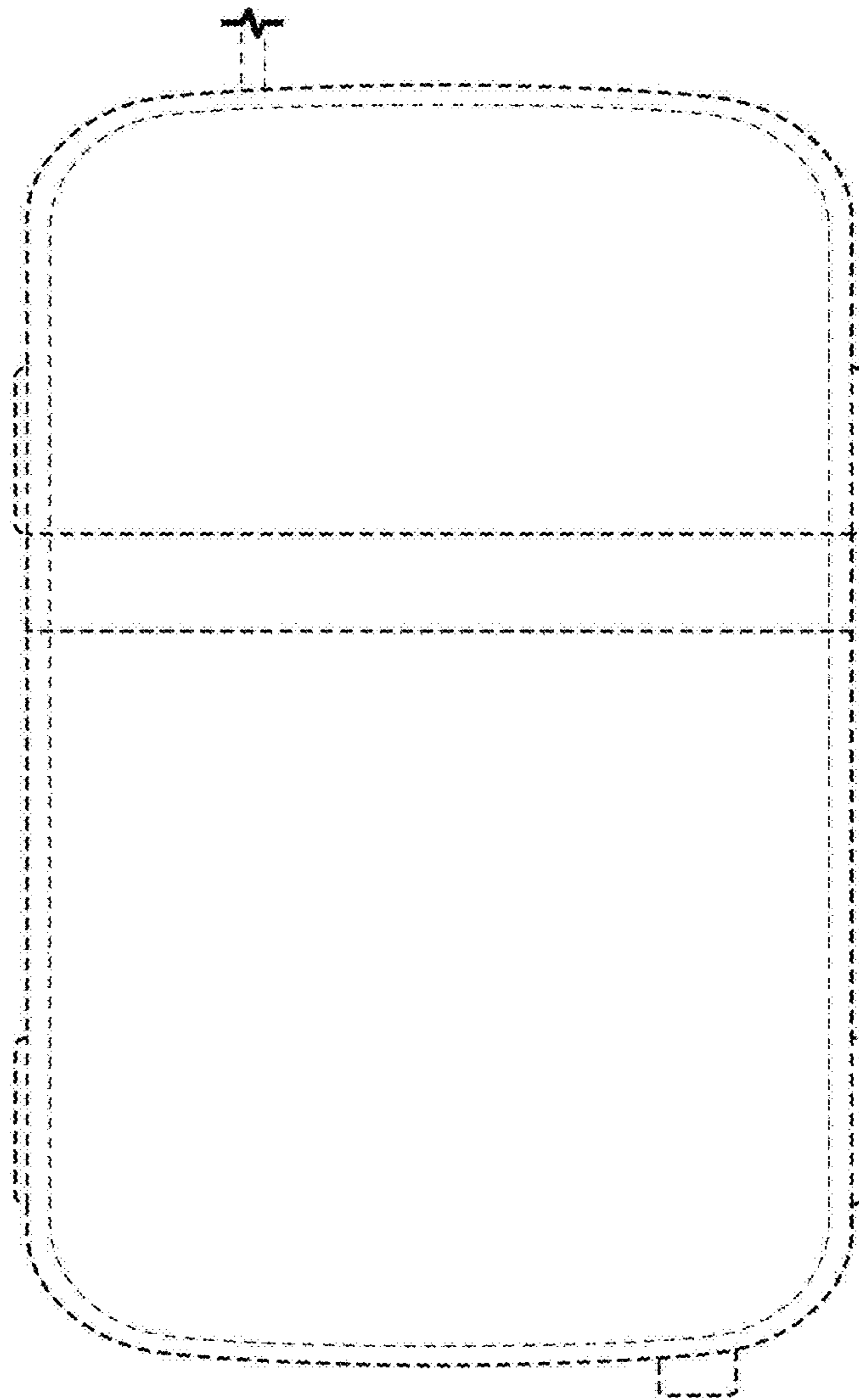


FIG. 6

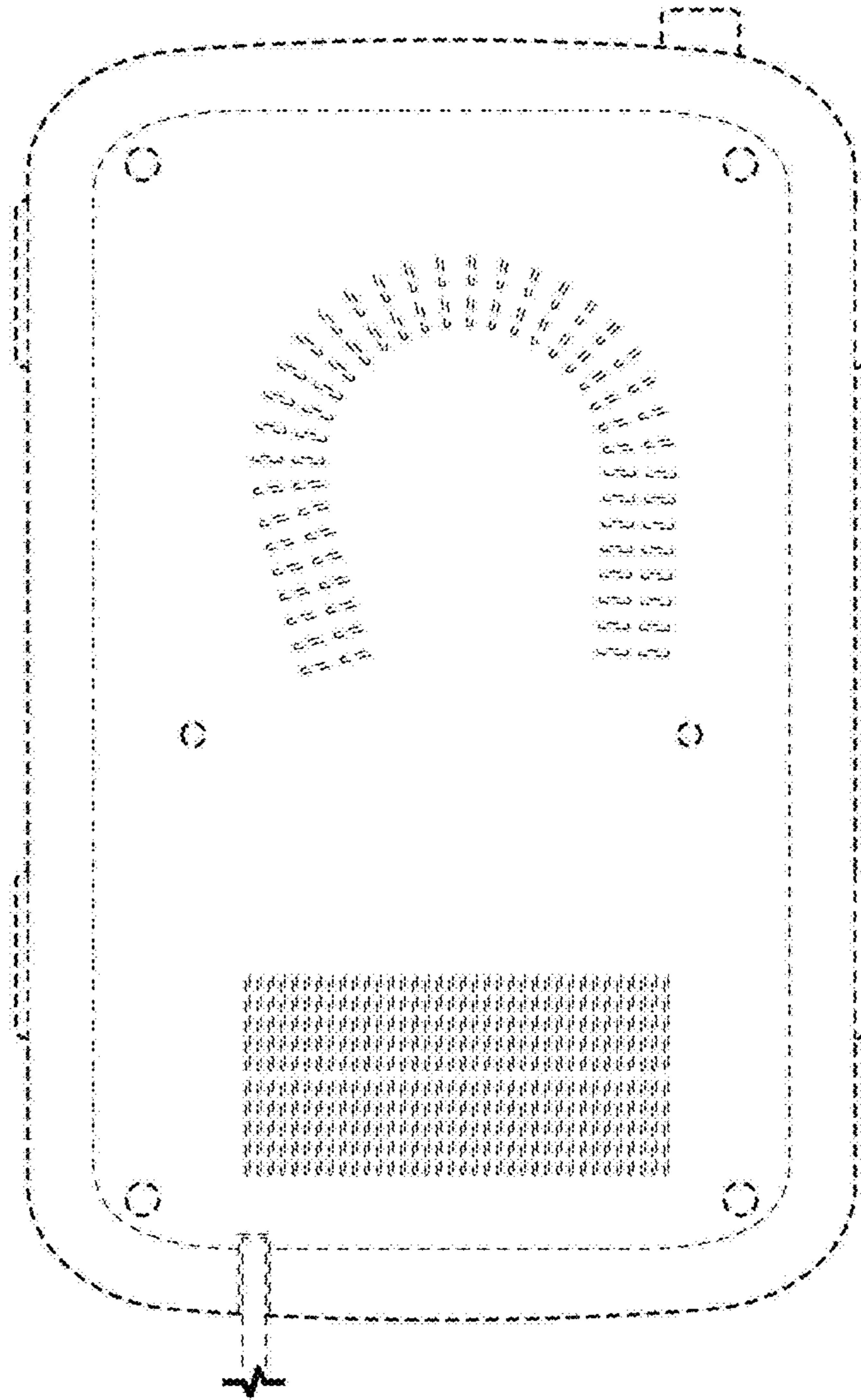


FIG. 7