



US00D863879S

(12) **United States Design Patent**
Merrigan et al.

(10) **Patent No.:** **US D863,879 S**

(45) **Date of Patent:** **** Oct. 22, 2019**

(54) **WATER BOTTLE CAP**

(71) Applicant: **GRAYL, Inc.**, Seattle, WA (US)

(72) Inventors: **Travis Merrigan**, Seattle, WA (US);
Andrew Weber, Seattle, WA (US);
Christopher Leiter, Happy Valley, OR
(US); **Scott Rolfson**, Portland, OR
(US); **William Broadway**, Oceanside,
CA (US)

(73) Assignee: **GRAYL, Inc.**, Seattle, WA (US)

(**) Term: **15 Years**

(21) Appl. No.: **29/625,021**

(22) Filed: **Nov. 6, 2017**

(51) **LOC (12) Cl.** **07-99**

(52) **U.S. Cl.**
USPC **D7/396.2**; D9/443

(58) **Field of Classification Search**
USPC D7/622, 543, 545, 547, 600.1, 601,
D7/619.1, 709, 392.1, 396.2; D9/434,
D9/435, 436, 440, 443, 446, 447, 449,
D9/455, 499; D3/240
CPC . B65D 51/1616; B65D 41/04; B65D 43/0225
See application file for complete search history.

(56) **References Cited**

U.S. PATENT DOCUMENTS

- D626,837 S * 11/2010 Meyers D9/443
- D626,838 S * 11/2010 Meyers D9/443
- D688,093 S * 8/2013 Roth D7/392.1
- D700,012 S * 2/2014 Hurley D7/392.1
- D716,657 S * 11/2014 Caneer D9/443
- D719,780 S * 12/2014 Sullivan D7/392.1
- D742,230 S * 11/2015 Charles D7/396.2
- D745,827 S * 12/2015 Sorensen D7/392.1

- D748,943 S * 2/2016 Miller D7/392.1
- D756,702 S * 5/2016 Joseph D7/392.1
- D763,688 S * 8/2016 Breit D9/443
- D768,491 S * 10/2016 Sorensen D7/392.1
- D792,216 S * 7/2017 Breit D9/443
- D824,721 S * 8/2018 Hu D7/392.1
- D825,332 S * 8/2018 Miksovsky D9/446

OTHER PUBLICATIONS

The MTB Lab. Introducing Grayl Geopress Water Purifier by Brian Mullin. Dec. 4, 2018. <URL:https://themtblab.com/2018/12/introducing-grayl-geopress-water-purifier.html>. (Year: 2018).*

* cited by examiner

Primary Examiner — George D. Kirschbaum

Assistant Examiner — Darcey E Gottschalk

(74) *Attorney, Agent, or Firm* — Rowan TELS LLC

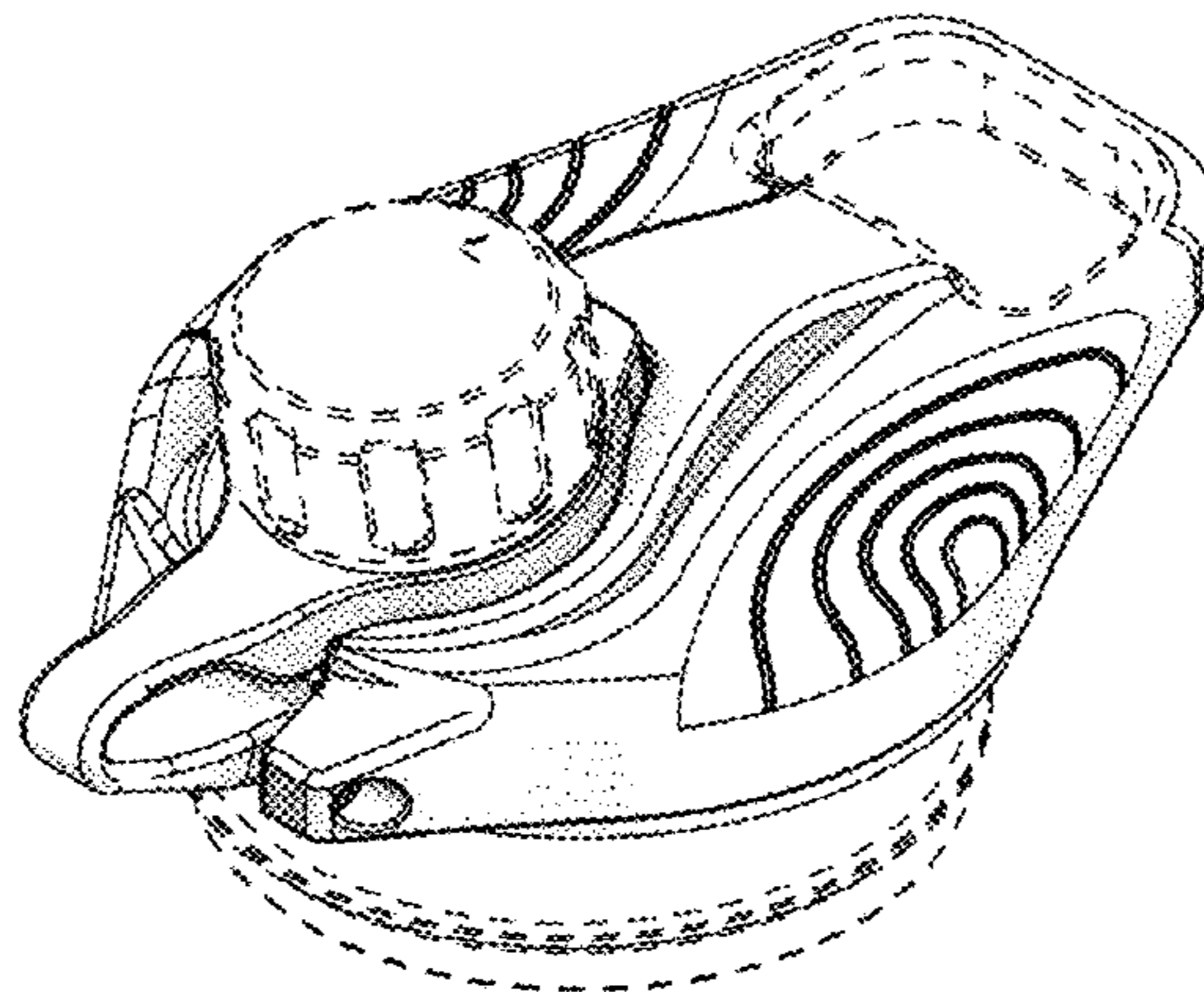
(57) **CLAIM**

The ornamental design for a water bottle cap, as shown and described.

DESCRIPTION

FIG. 1 is a front view of a water bottle cap.
FIG. 2 is a left side view of the water bottle cap.
FIG. 3 is a right side view of the water bottle cap.
FIG. 4 is a top view of the water bottle cap.
FIG. 5 is a rear view of the water bottle cap.
FIG. 6 is a front left isometric view of the water bottle cap; and,
FIG. 7 is a front-right isometric view of the water bottle cap. The broken lines showing are included for the purpose of illustrating the environment of the design only and form no part of the claimed design. The stippling in the drawings indicates a contrast in appearance.

1 Claim, 7 Drawing Sheets



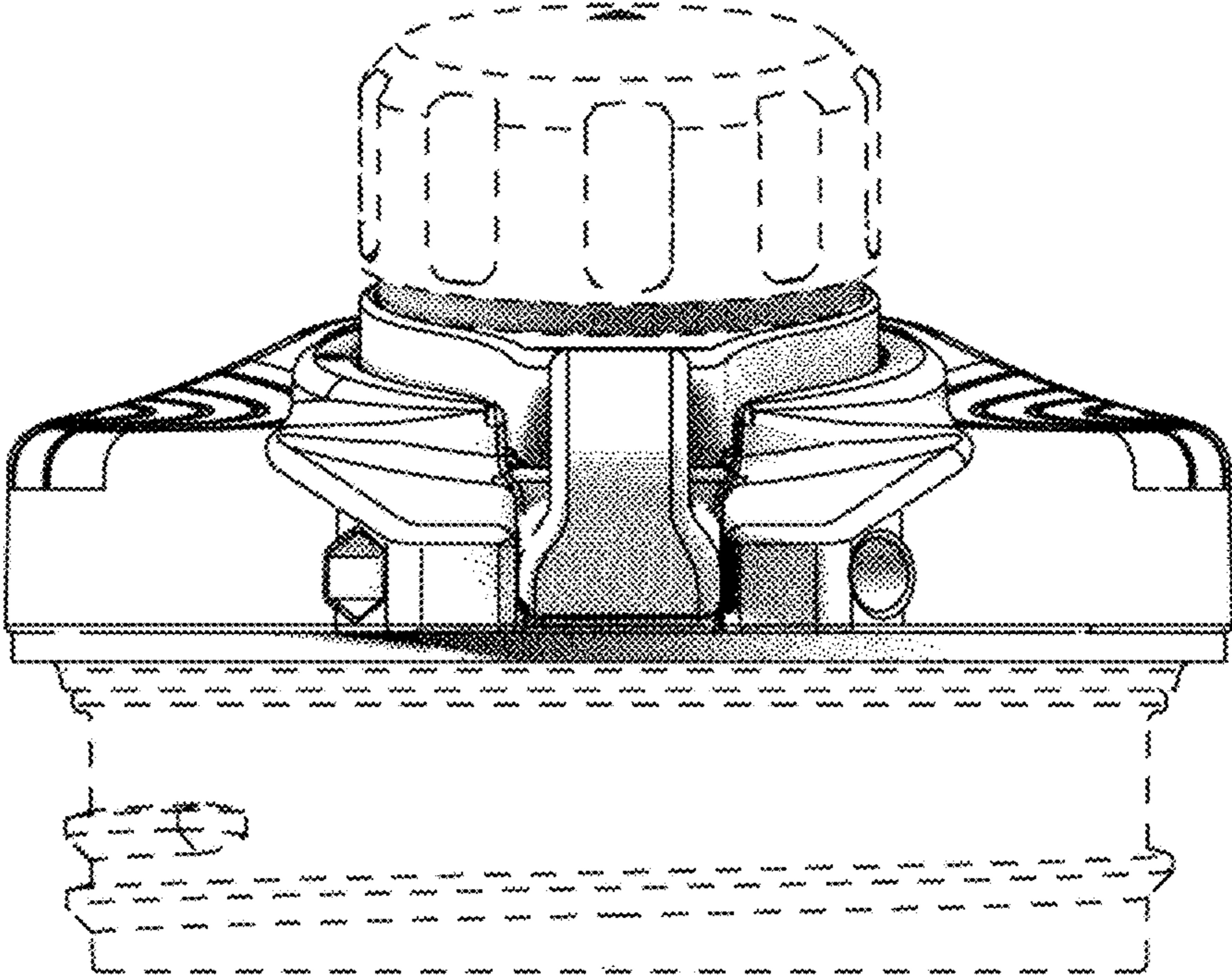


FIG. 1

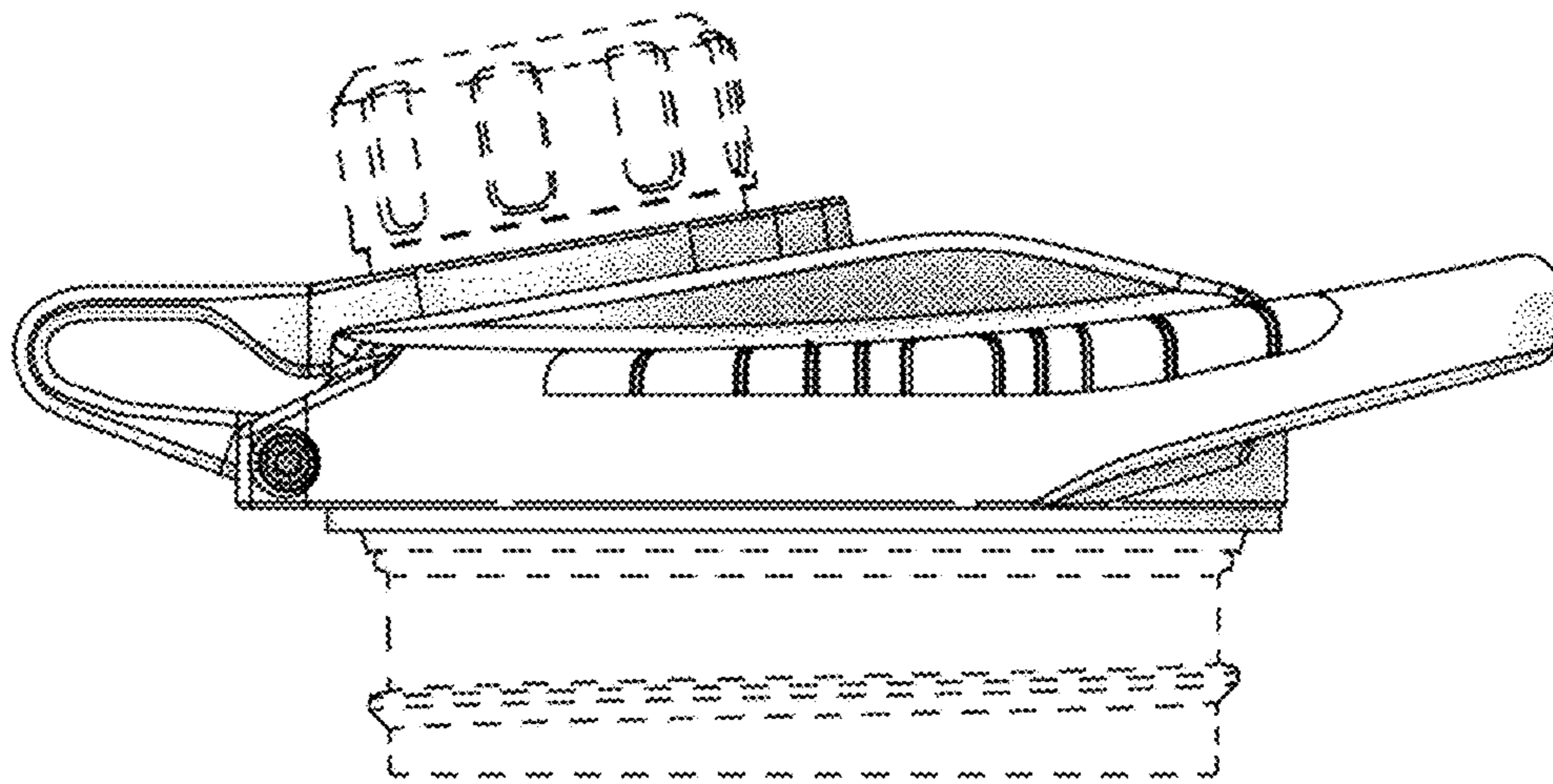


FIG. 2

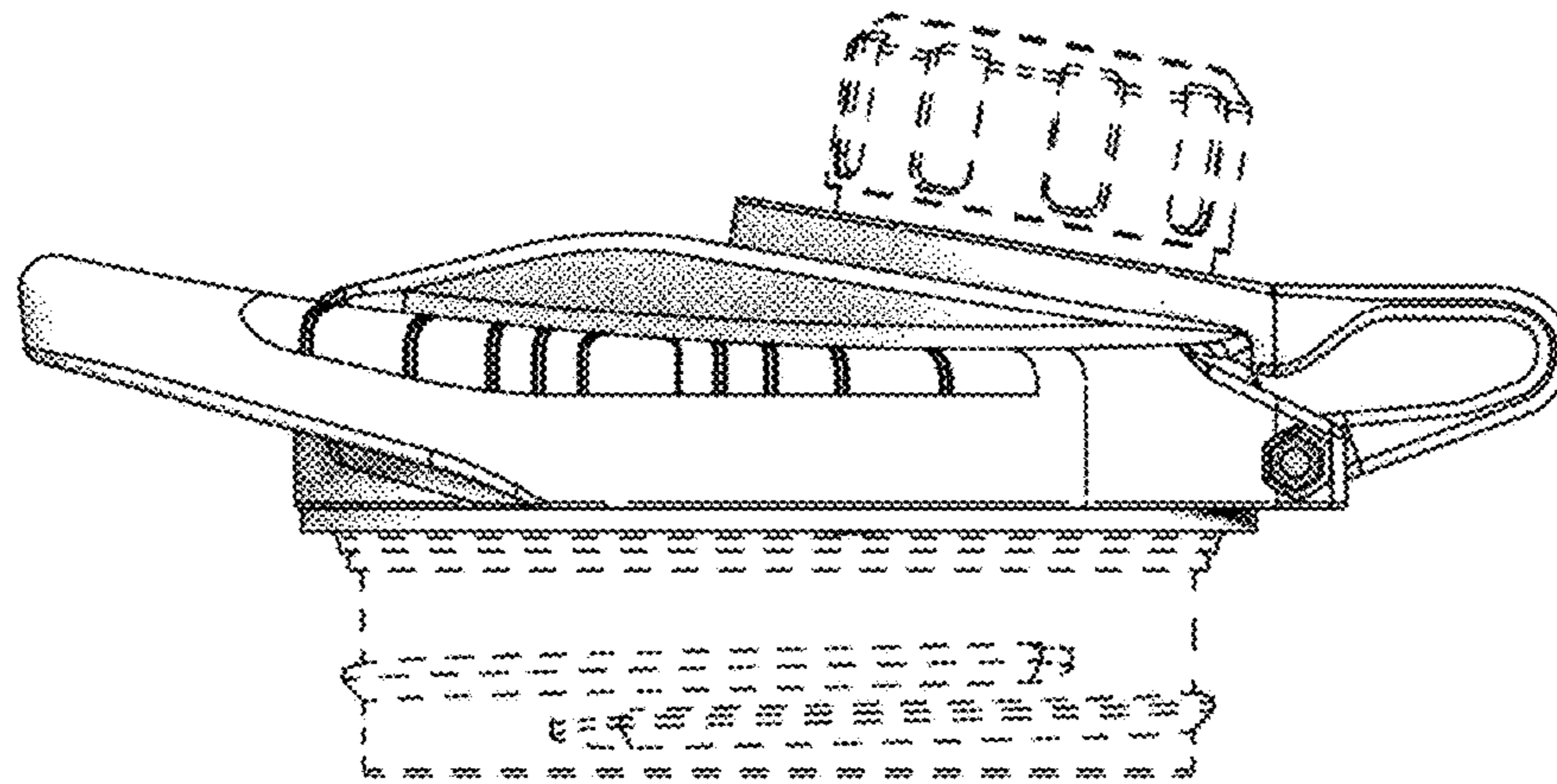


FIG. 3

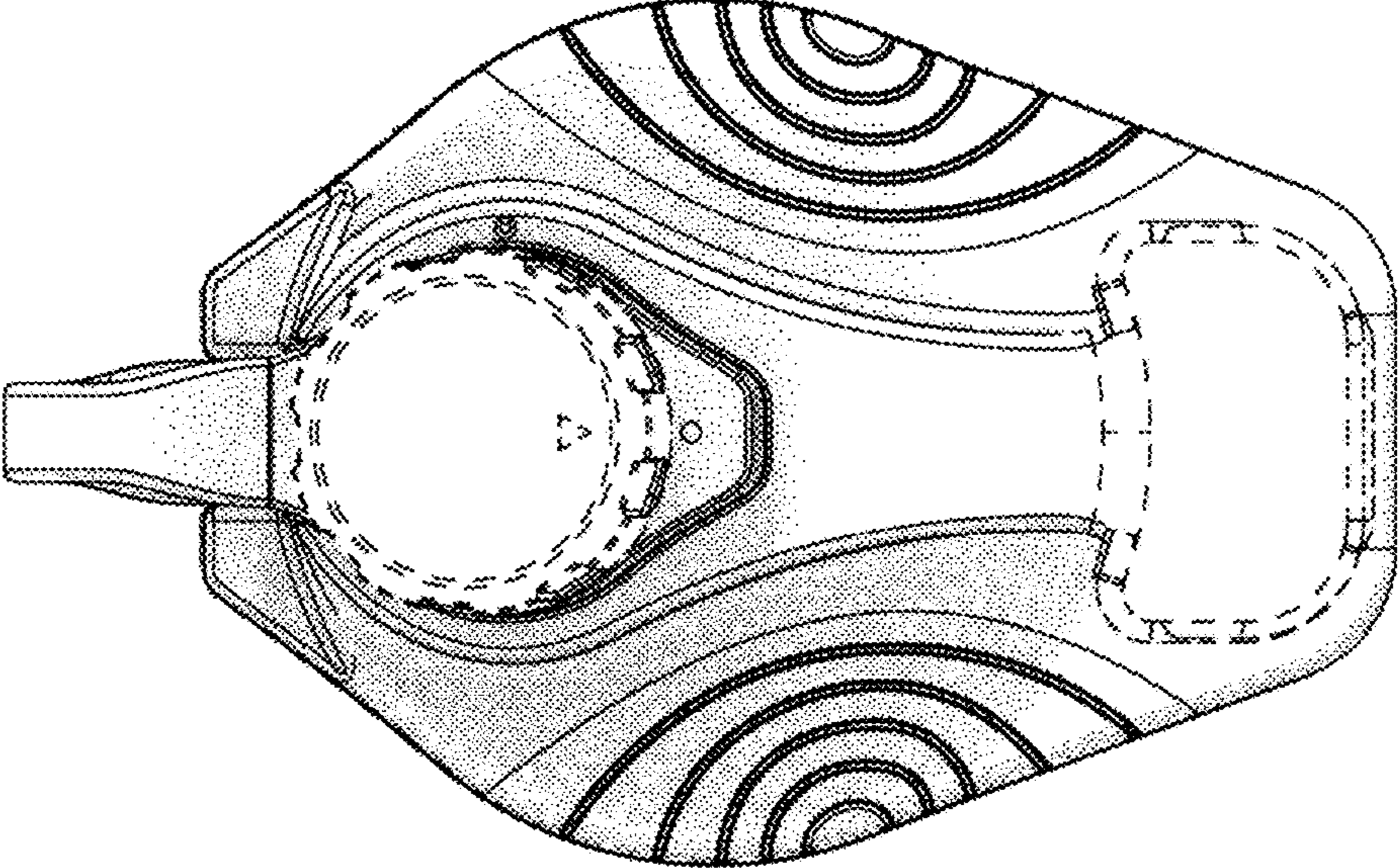


FIG. 4

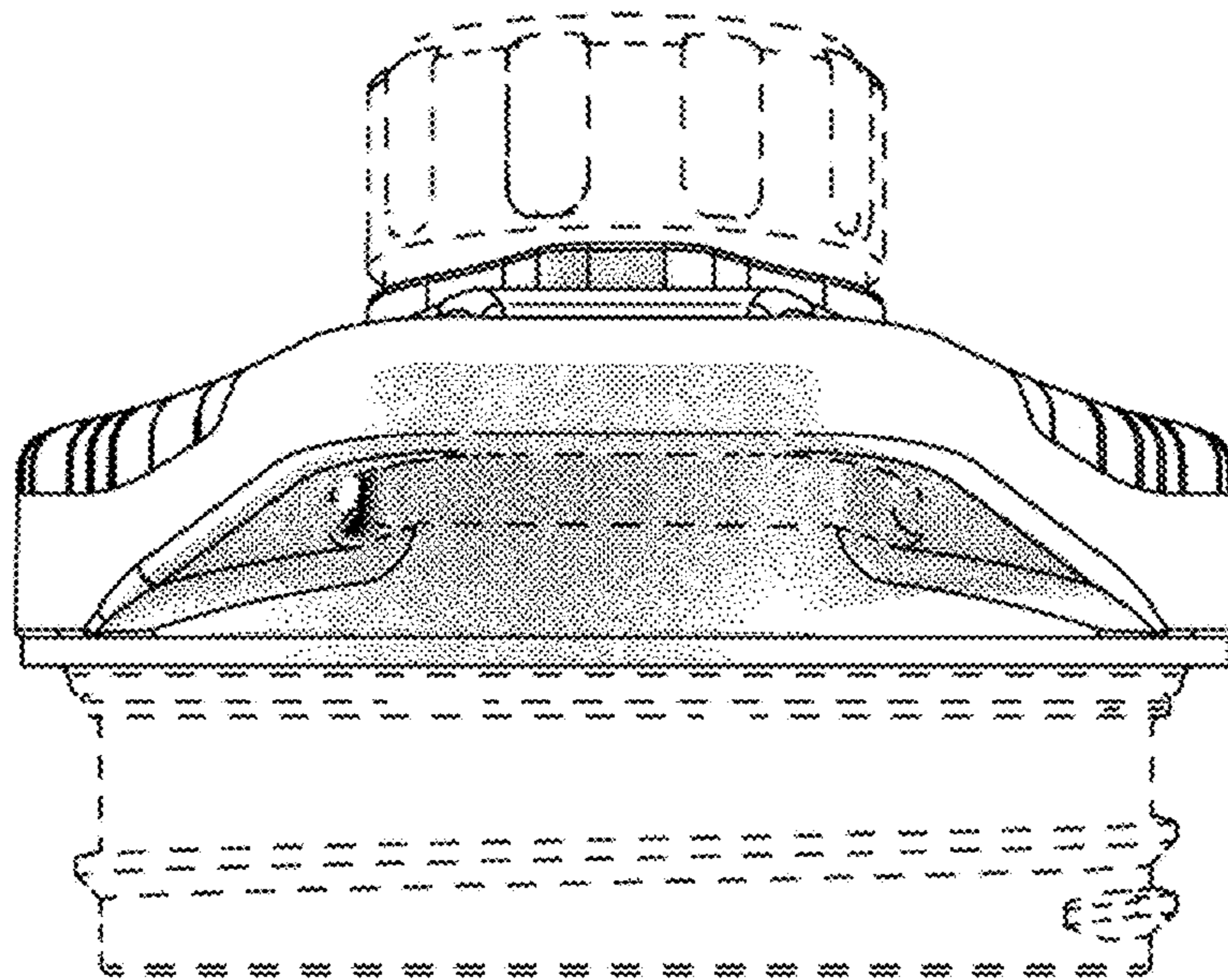


FIG. 5

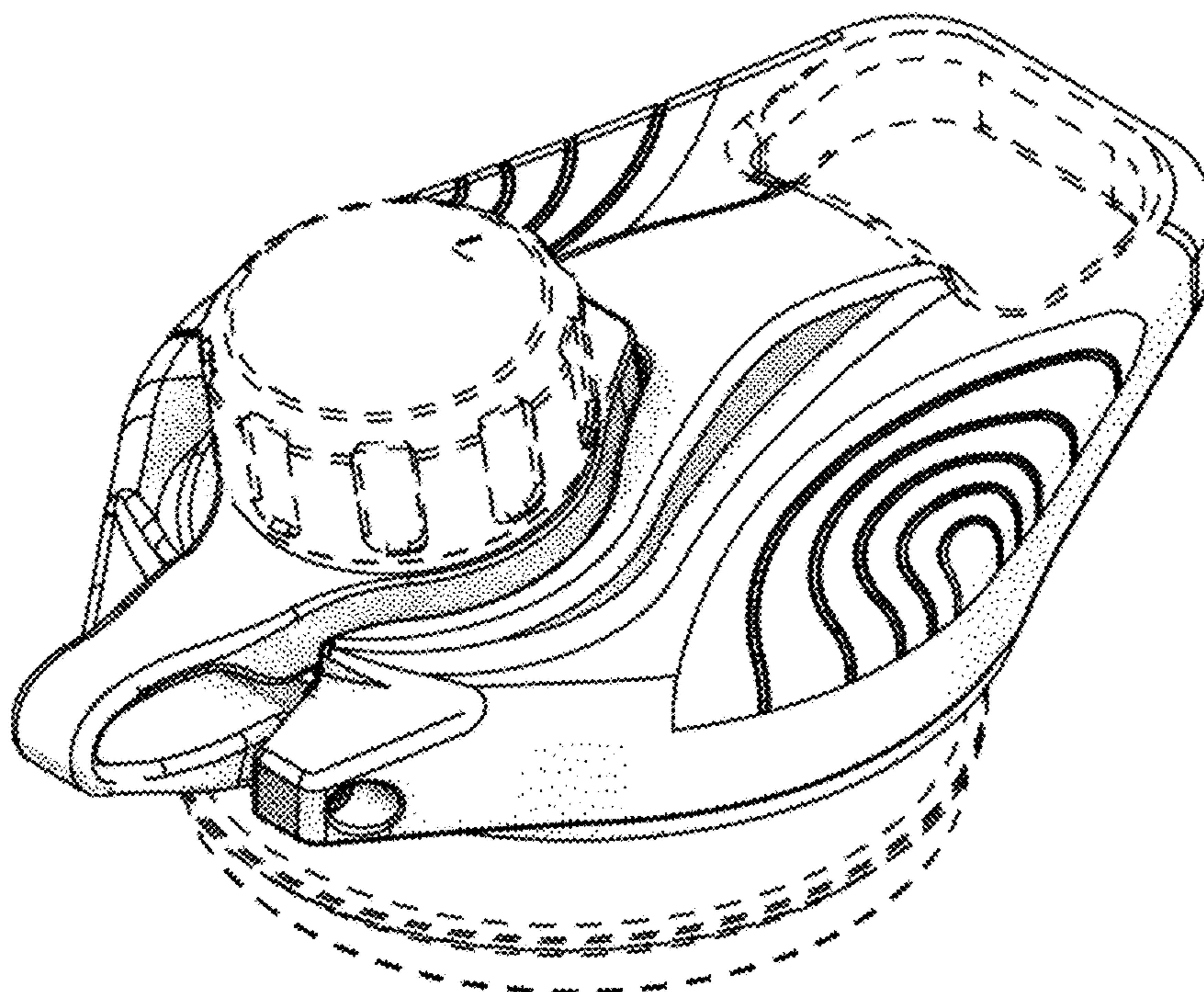


FIG. 6

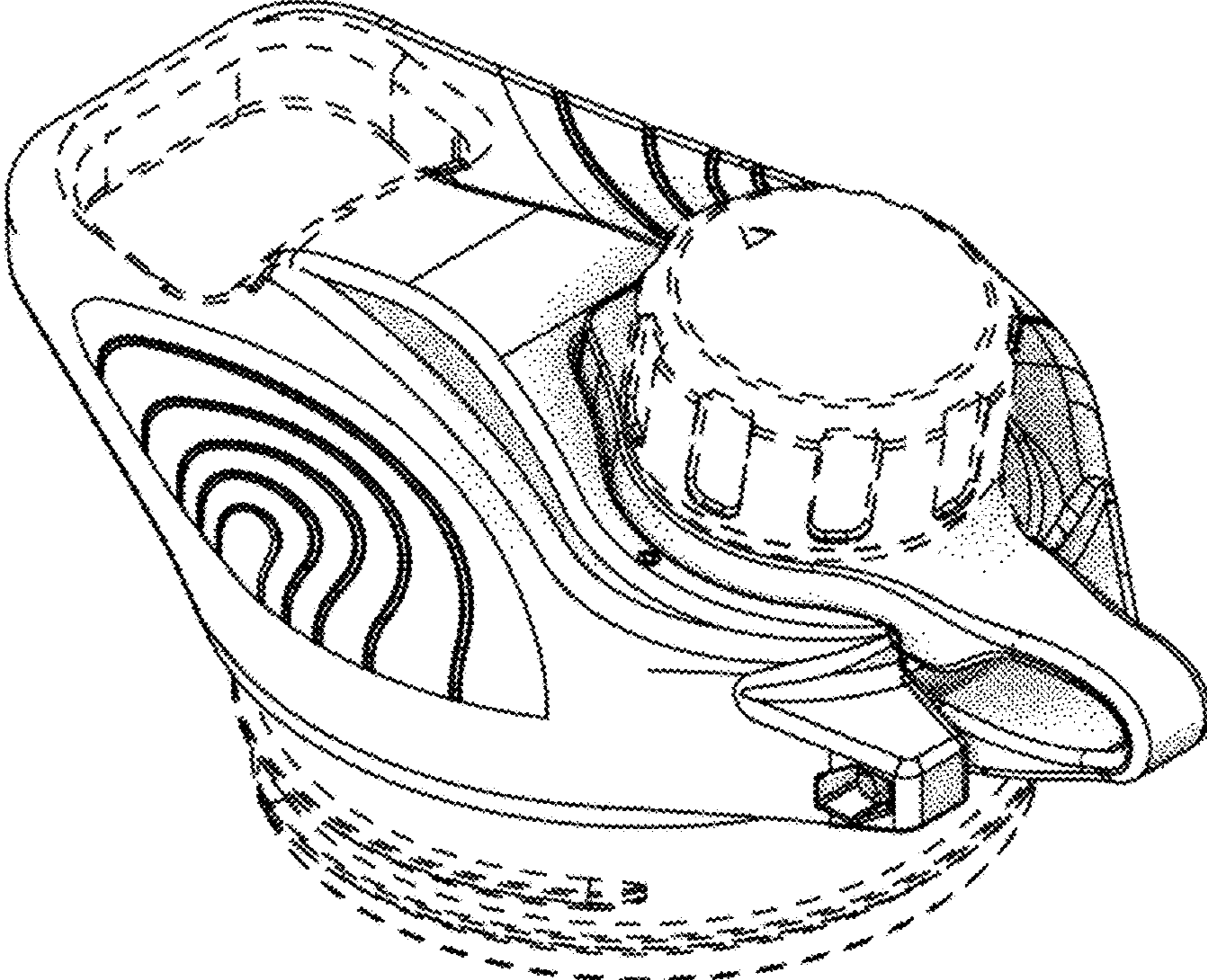


FIG. 7