



US00D863878S

(12) **United States Design Patent** (10) **Patent No.:** **US D863,878 S**
Cortadellas et al. (45) **Date of Patent:** **** Oct. 22, 2019**

- (54) **BOTTLE CAP**
- (71) Applicant: **PepsiCo, Inc.**, Purchase, NY (US)
- (72) Inventors: **Xavi Cortadellas**, Miami, FL (US); **Christopher Michael Hintermeister**, Highland Park, IL (US); **Sean Joseph Huls**, Chicago, IL (US); **Drew Alexander Read Palin**, Kenilworth, IL (US); **Sameer Kirti Talsania**, Chicago, IL (US); **Meegan Patricia Daigler**, New York, NY (US); **Tucker Fort**, Brooklyn, NY (US); **Laura Sink**, Brooklyn, NY (US); **Alexander Ian James Wastney**, Brooklyn, NY (US)

- D316,035 S 4/1991 Pepitone
- D402,889 S 12/1998 Bryce
- D405,693 S 2/1999 Bretz et al.
- D410,364 S 6/1999 Ramirez et al.
- D414,238 S 9/1999 Kupperman
- 6,105,799 A 8/2000 Takagawa
- D464,263 S 10/2002 White et al.
- D567,021 S 4/2008 Bach et al.
- D569,685 S 5/2008 Liu
- D581,278 S 11/2008 Shibata et al.
- D588,870 S 3/2009 Rasmussen
- D598,706 S 8/2009 Neace et al.
- D626,415 S 11/2010 Kolano

(Continued)

- (73) Assignee: **PepsiCo, Inc.**, Purchase, NY (US)
- (**) Term: **15 Years**

(21) Appl. No.: **29/612,430**

(22) Filed: **Aug. 1, 2017**

Related U.S. Application Data

(63) Continuation of application No. 29/564,417, filed on May 12, 2016, now Pat. No. Des. 795,644.

(51) **LOC (12) Cl.** **07-99**

(52) **U.S. Cl.**
USPC **D7/396.2**

(58) **Field of Classification Search**
USPC D7/509, 510, 511, 387, 396.2, 900;
D9/434, 435, 436, 443, 452, 454
CPC A47G 19/22; A47G 19/2266; A45F 3/16;
B65D 41/04; B65D 43/02; B65D 47/08
See application file for complete search history.

(56) **References Cited**

U.S. PATENT DOCUMENTS

- D232,915 S 9/1974 Becker
- D278,033 S 3/1985 Borkan et al.

FOREIGN PATENT DOCUMENTS

WO WO 2013/103589 7/2013

Primary Examiner — Derrick E Holland

Assistant Examiner — Andrew Kerr

(74) *Attorney, Agent, or Firm* — Sterne, Kessler, Goldstein & Fox P.L.L.C.

(57) **CLAIM**

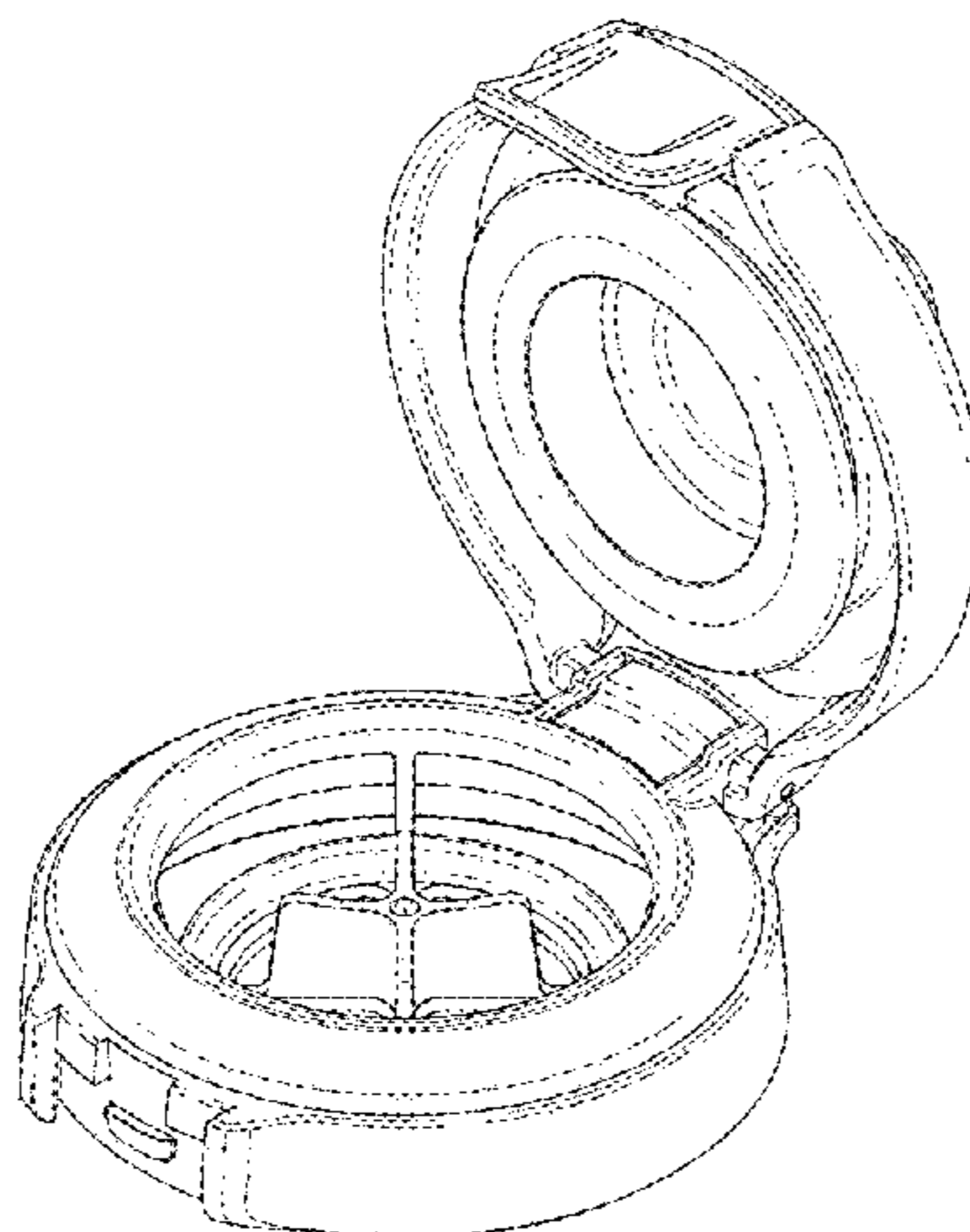
The ornamental design for a bottle cap, as shown and described.

DESCRIPTION

FIG. 1 is a top front perspective view of a bottle cap showing the claimed design;
FIG. 2 is another top front perspective view thereof;
FIG. 3 is a bottom front perspective view thereof;
FIG. 4 is a front view thereof;
FIG. 5 is a rear view thereof;
FIG. 6 is a left side view thereof;
FIG. 7 is a right side view thereof;
FIG. 8 is a top view thereof; and,
FIG. 9 is a bottom view thereof.

The broken lines in the figures show portions of the bottle cap that form no part of the claimed design.

1 Claim, 4 Drawing Sheets



(56)

References Cited

U.S. PATENT DOCUMENTS

D632,173	S *	2/2011	Makita	D9/438
D647,364	S	10/2011	Audette et al.	
D650,677	S	12/2011	Wurster et al.	
D659,497	S *	5/2012	Blazevic	D8/34
D661,549	S	6/2012	Kemper et al.	
D668,150	S	10/2012	Crapser et al.	
D676,717	S	2/2013	Ceder	
8,365,913	B2	2/2013	Ceder	
8,365,941	B2	2/2013	Mayer	
D679,597	S	4/2013	Tamarindo	
D681,458	S *	5/2013	Santarelli	D9/443
D688,531	S	8/2013	Ceder	
8,579,149	B2	11/2013	Henke et al.	
8,584,879	B2	11/2013	Melrose et al.	
D702,492	S	4/2014	Marina et al.	
D703,000	S	4/2014	Marina et al.	
D703,487	S	4/2014	Marina et al.	
D709,387	S	7/2014	Marina et al.	
D712,739	S *	9/2014	Lapsker	D9/435
D714,584	S *	10/2014	Boroski	D7/392
D734,985	S	7/2015	Furia	
D735,038	S	7/2015	Tamarindo	
D771,435	S	11/2016	Cutuli et al.	
D807,110	S *	1/2018	Lown	D7/391
2003/0029890	A1 *	2/2003	Olechowski	B65D 47/10 222/525
2004/0124192	A1	7/2004	Teller	
2007/0084821	A1	4/2007	Bysick et al.	

* cited by examiner

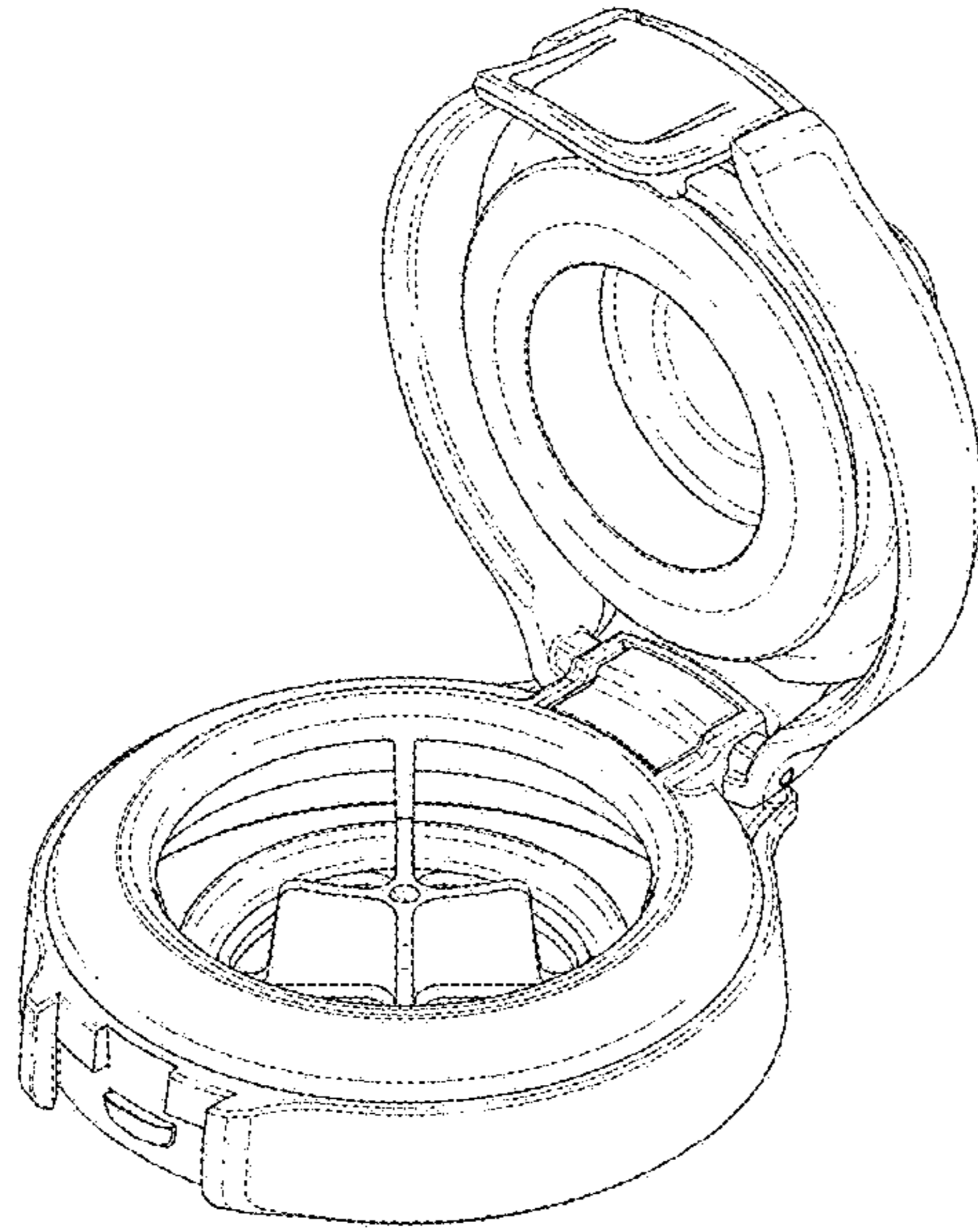


FIG. 1

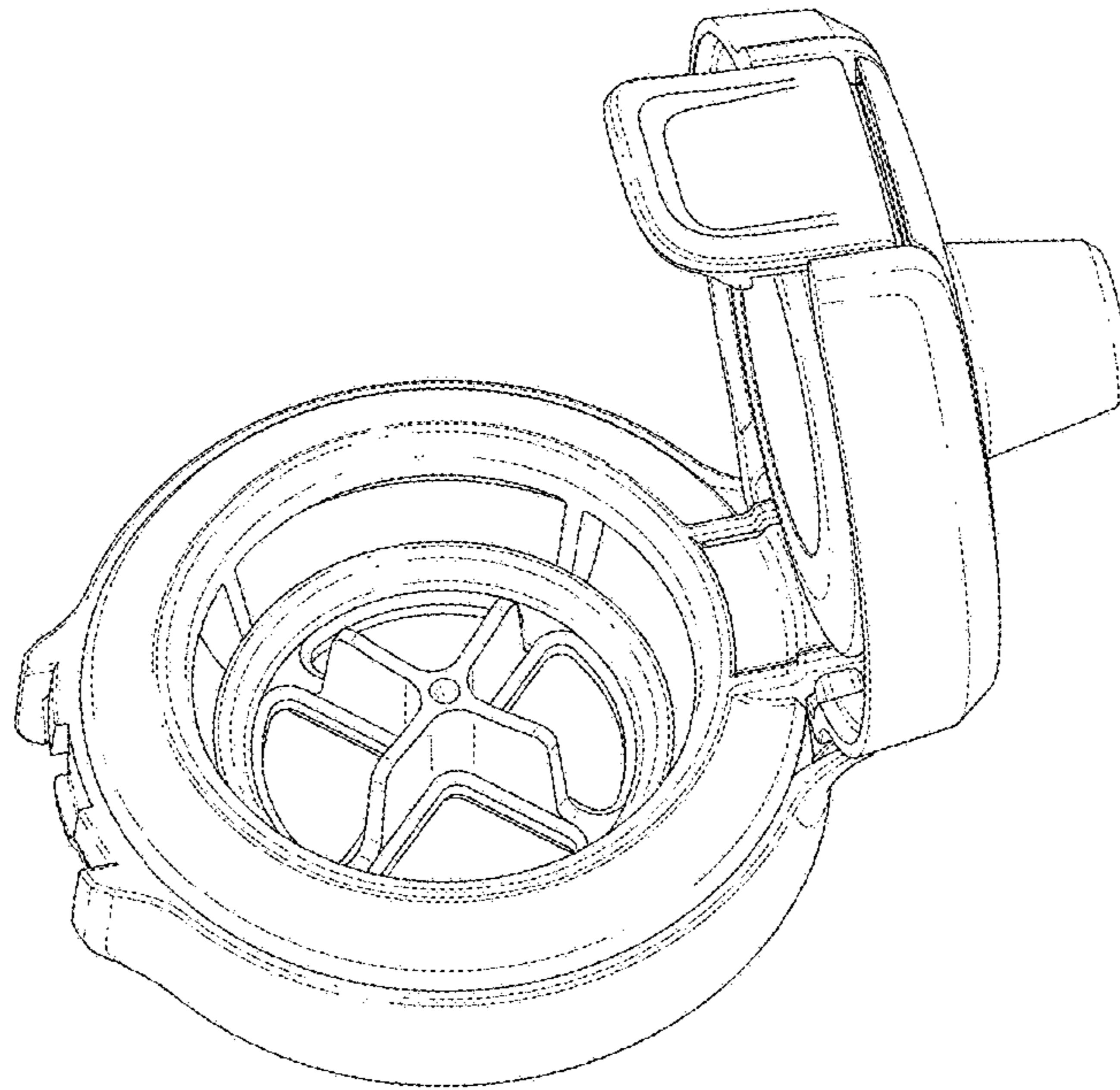


FIG. 2

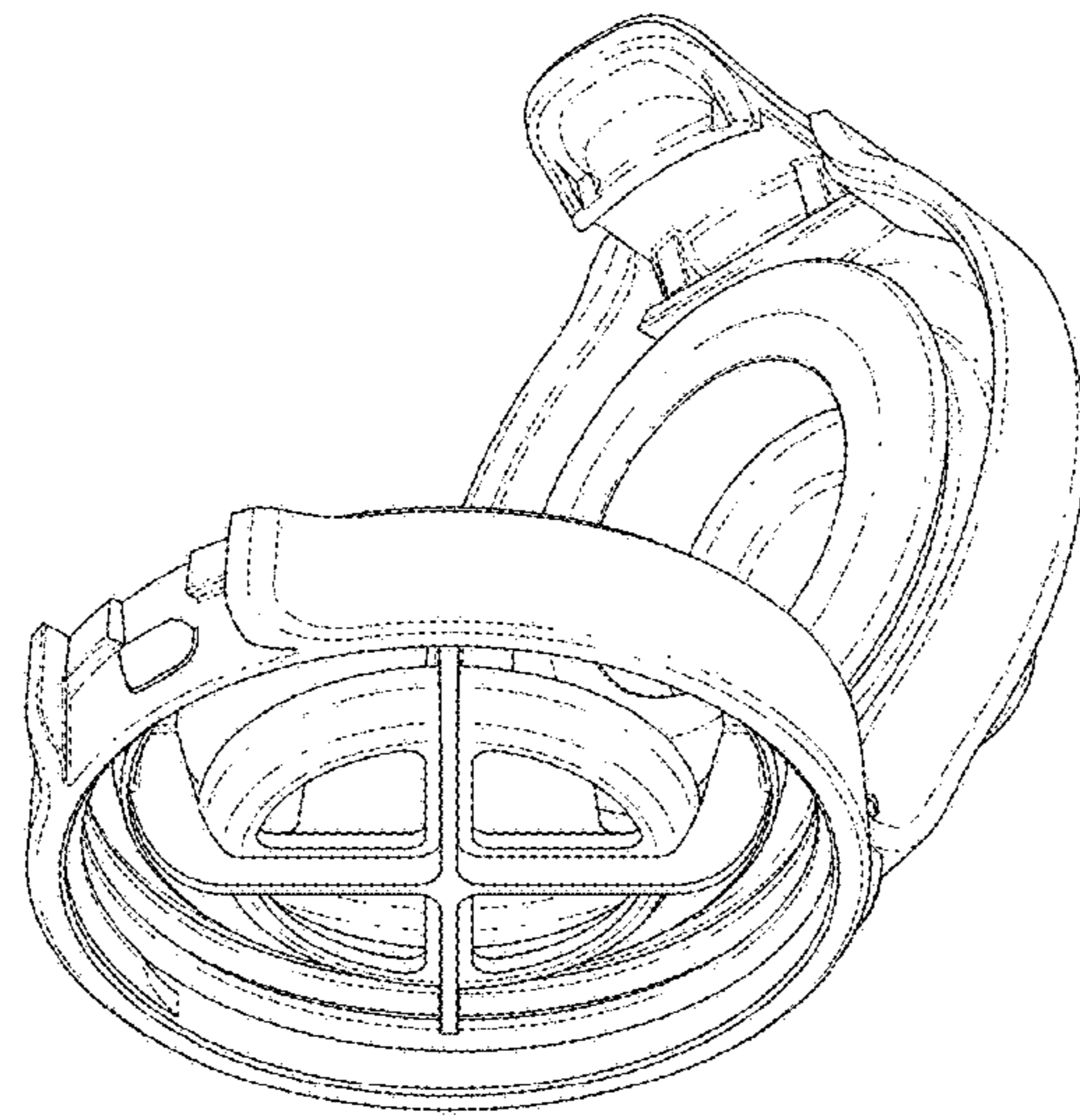


FIG. 3

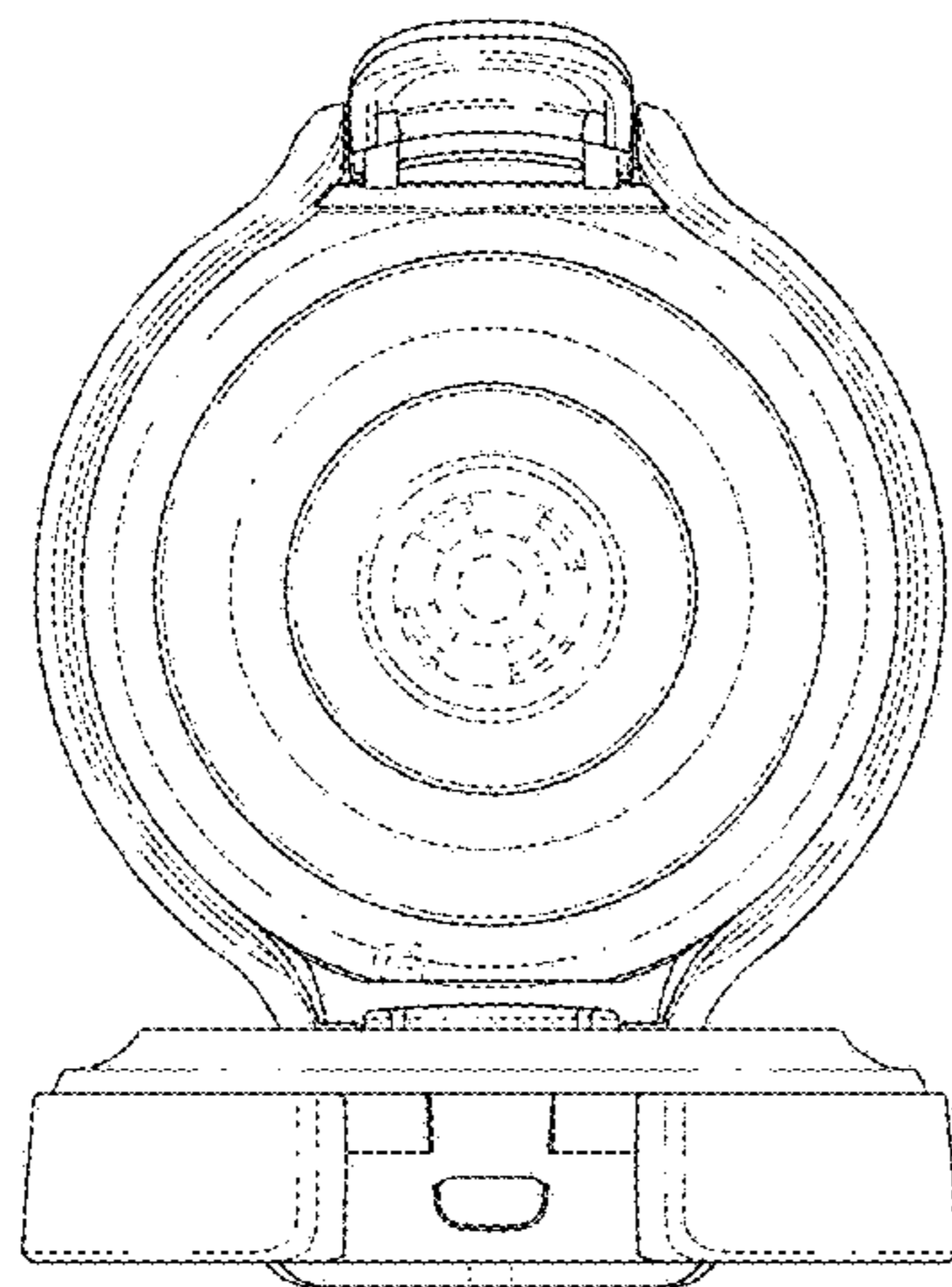


FIG. 4

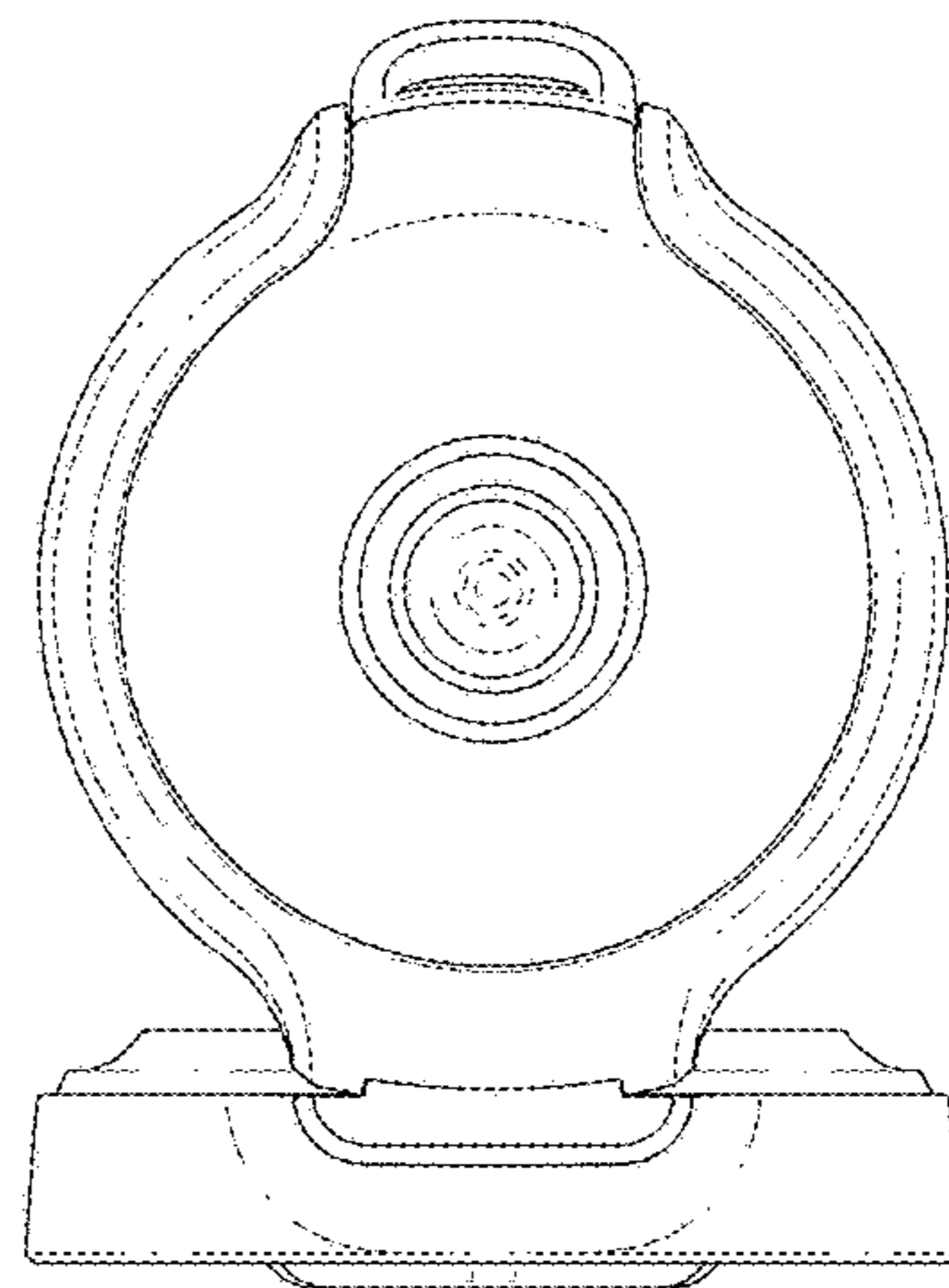


FIG. 5

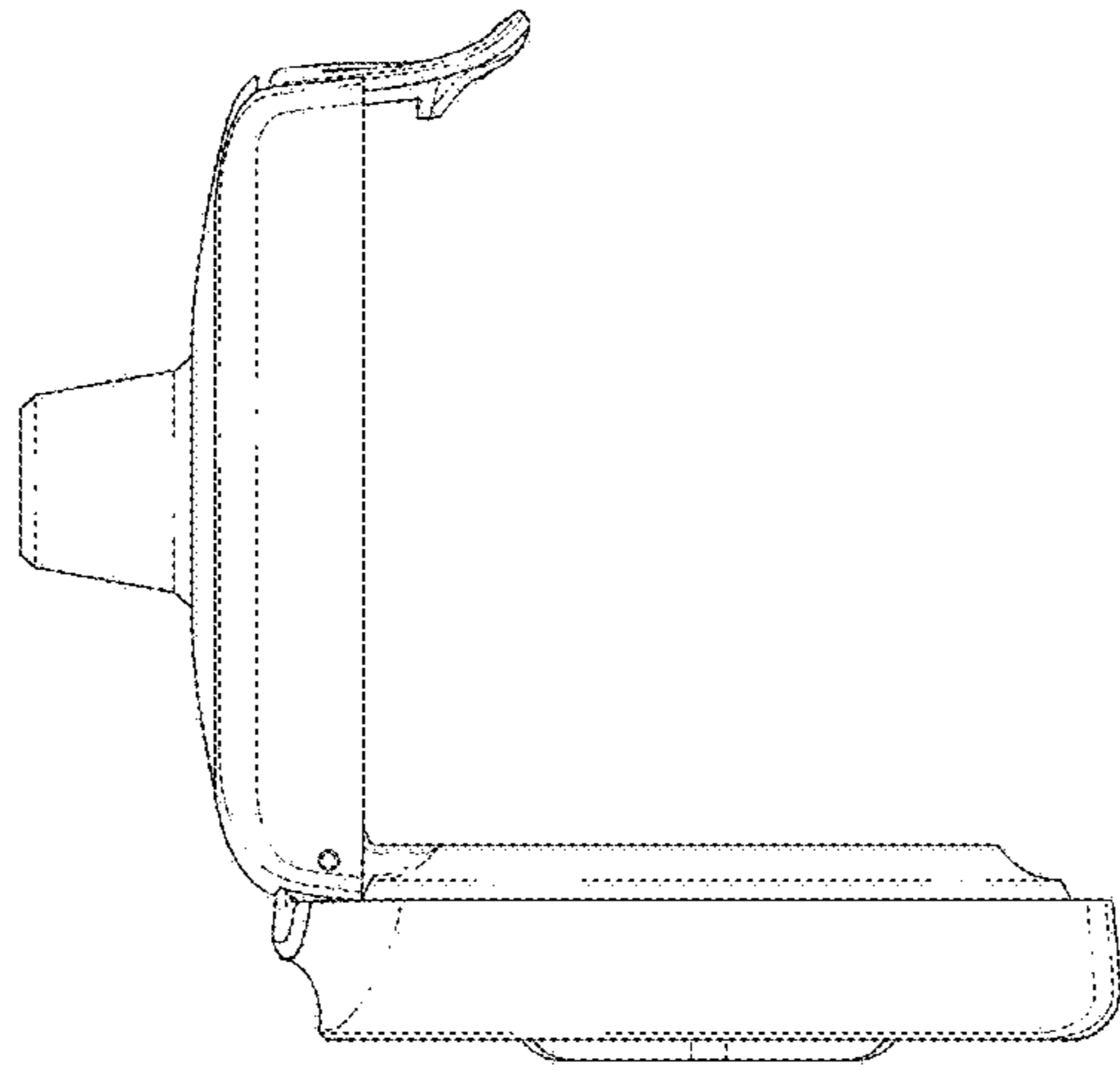


FIG. 6

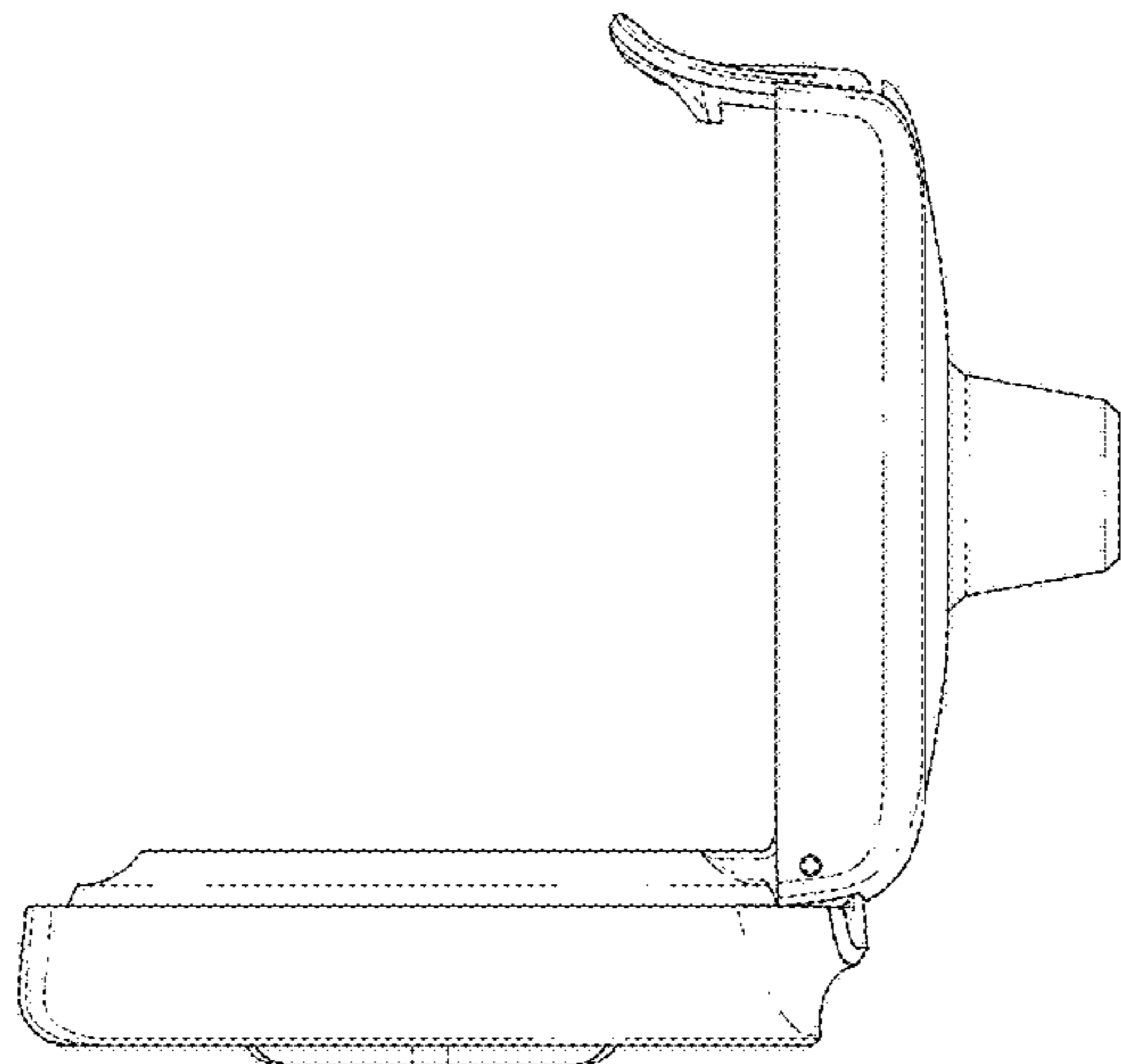


FIG. 7

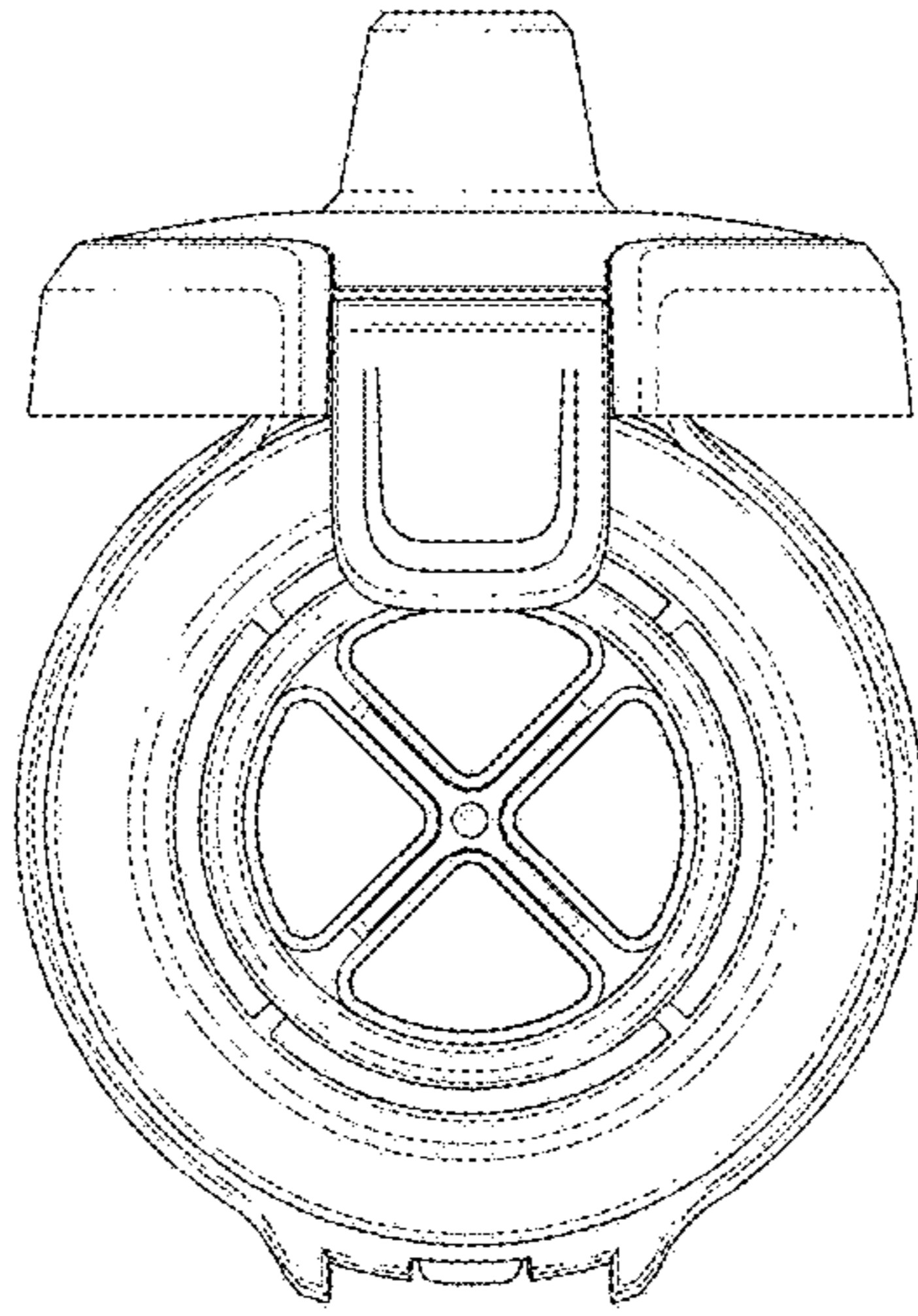


FIG. 8

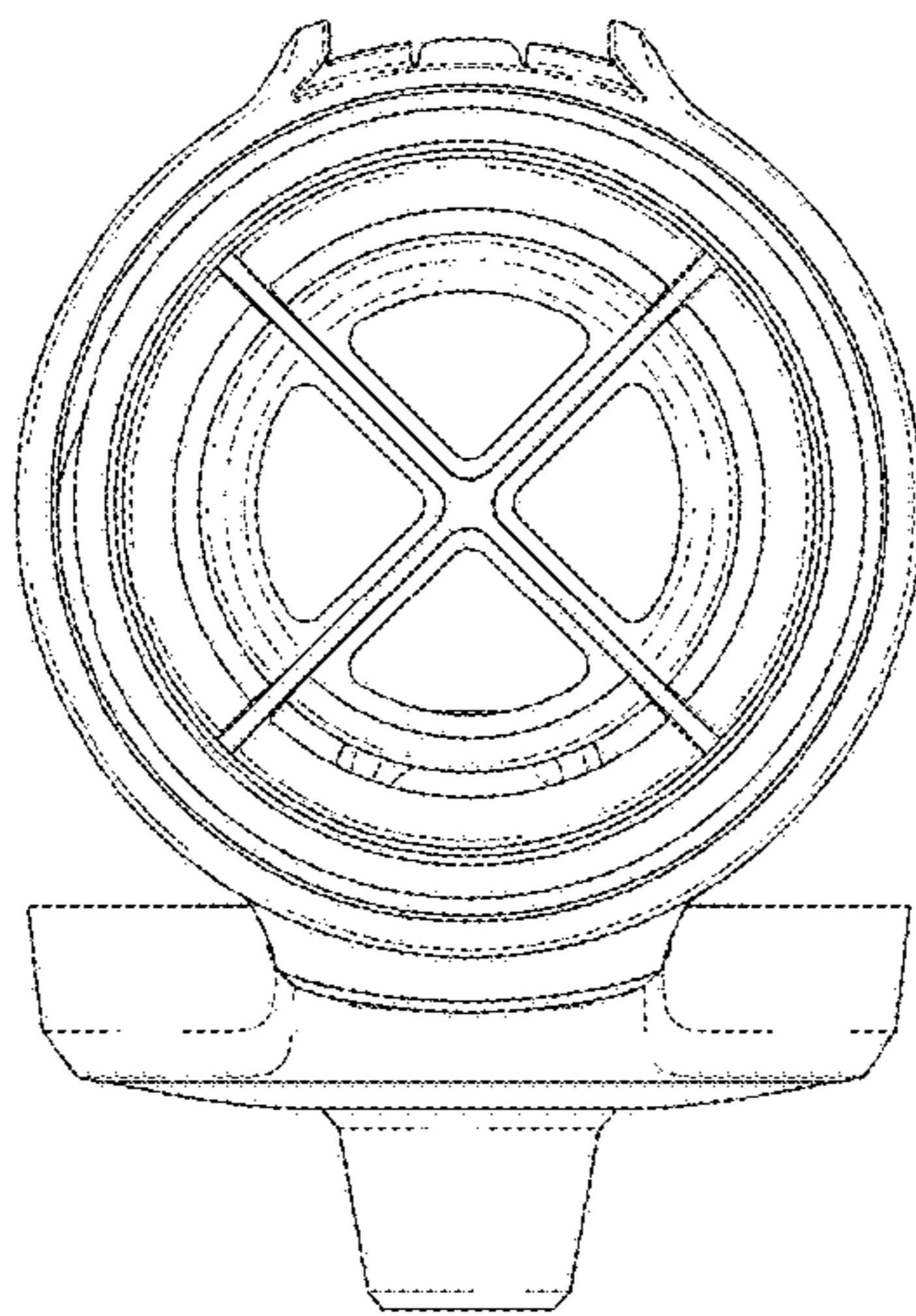


FIG. 9