



US00D863877S

(12) **United States Design Patent** (10) **Patent No.:** **US D863,877 S**
Meyers (45) **Date of Patent:** **** Oct. 22, 2019**

(54) **MOUTHPIECE**

- (71) Applicant: **Runway Blue, LLC**, Lehi, UT (US)
- (72) Inventor: **David O. Meyers**, East Layton, UT (US)
- (73) Assignee: **Runway Blue, LLC**, Alpine, UT (US)
- (**) Term: **15 Years**
- (21) Appl. No.: **29/580,621**
- (22) Filed: **Oct. 11, 2016**

Related U.S. Application Data

- (63) Continuation of application No. 15/213,360, filed on Jul. 18, 2016, now Pat. No. 10,028,603, and a (Continued)
- (51) **LOC (12) Cl.** **07-99**
- (52) **U.S. Cl.**
USPC **D7/396.2**
- (58) **Field of Classification Search**
USPC D7/323, 354, 391, 392, 392.1, 503, D7/550.1, 552.1, 553.1, 553.2, 554, 566, D7/589, 600.1, 602, 605, 610, 614, 650, D7/704, 401.1, 509, 510, 511, 523, 525, D7/526, 527, 536, 538, 900, 396, 396.2; D9/414, 424, 427, 430, 432, 433, 434, D9/435, 436, 437, 438, 439, 440, 442, (Continued)

(56) **References Cited**

U.S. PATENT DOCUMENTS

- 2,573,378 A 10/1951 Zurlinden
 - 3,770,160 A 11/1973 Flider
- (Continued)

OTHER PUBLICATIONS

U.S. Appl. No. 29/580,624, filed Oct. 11, 2016, Meyers.

(Continued)

Primary Examiner — Jennifer Rivard

Assistant Examiner — Catherine S Posthauer

(74) *Attorney, Agent, or Firm* — Sterne, Kessler, Goldstein & Fox P.L.L.C.

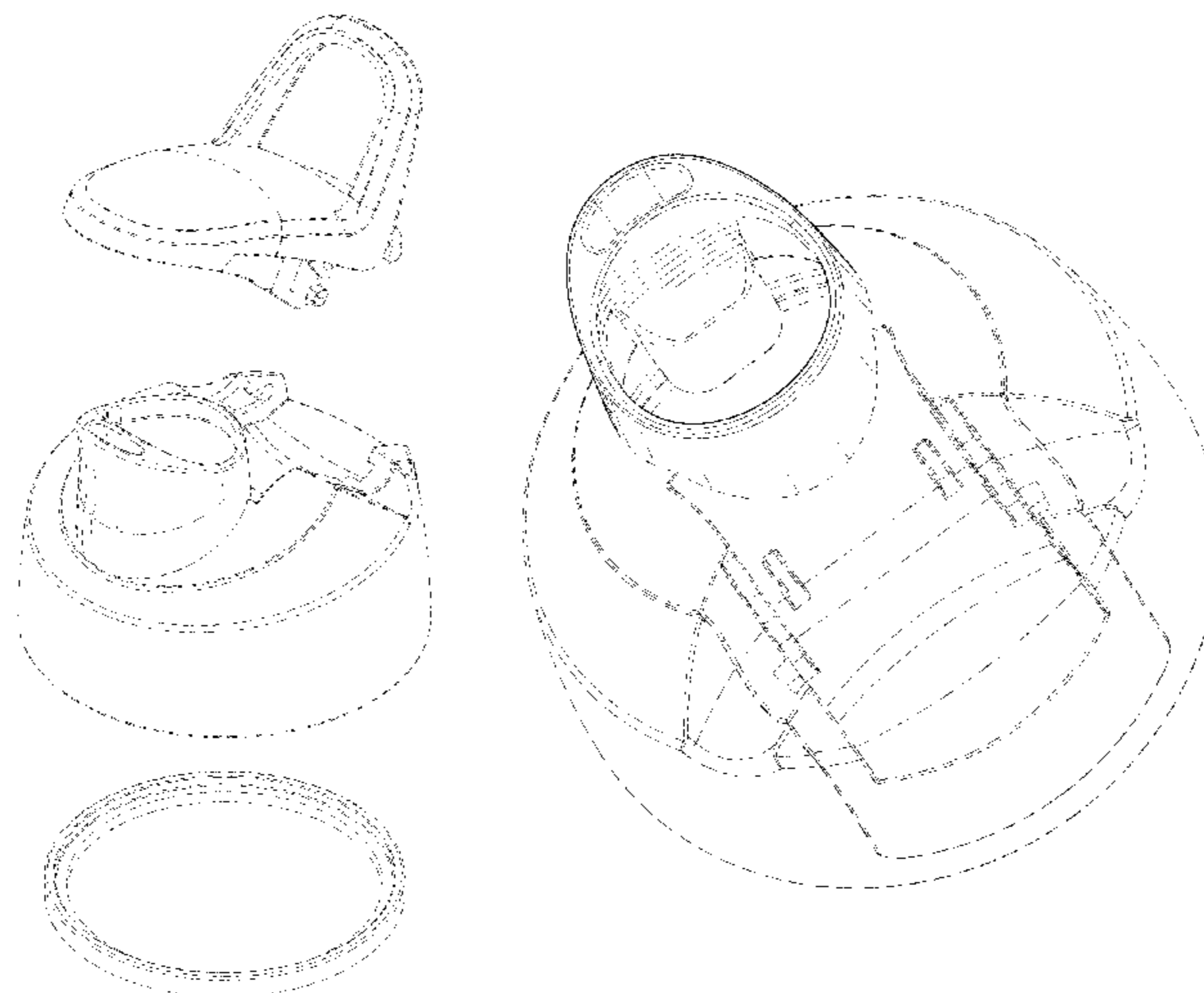
(57) **CLAIM**

The ornamental design for a mouthpiece, as shown and described.

DESCRIPTION

FIG. 1 is a top front perspective view of a first embodiment of a mouthpiece, showing my new design, shown in use with exemplifying environmental subject matter;
 FIG. 2 is an enlarged top front perspective view thereof, with some exemplifying environmental subject matter removed;
 FIG. 3 is a top rear perspective view thereof;
 FIG. 4 is another top rear perspective view thereof;
 FIG. 5 is a cross sectional side view thereof, taken in a direction of line 5-5 on FIG. 2;
 FIG. 6 is another cross sectional side view thereof, taken in the direction of line 5-5 on FIG. 2, and in a position of use with additional exemplifying environmental subject matter;
 FIG. 7 is a front top perspective view of a second embodiment of a mouthpiece;
 FIG. 8 is a front view thereof;
 FIG. 9 is a right side view thereof, with the left side view being a mirror image thereof;
 FIG. 10 is a top view thereof; and
 FIG. 11 is a bottom view thereof.
 The broken lines are shown for the purpose of illustrating environmental structure and parts of the article that form no part of the claimed design.

1 Claim, 11 Drawing Sheets



Related U.S. Application Data

continuation of application No. 14/598,090, filed on Jan. 15, 2015, now Pat. No. 10,172,488, and a continuation of application No. 29/514,766, filed on Jan. 15, 2015, now Pat. No. Des. 768,491, which is a continuation of application No. 14/598,075, filed on Jan. 15, 2015, now Pat. No. 9,392,893, and a continuation of application No. 14/598,087, filed on Jan. 15, 2015, now Pat. No. 10,004,348.

(58) **Field of Classification Search**

USPC D9/443, 445, 446, 447, 449, 450, 452, D9/453, 454, 456, 499, 686, 688, 690, D9/708, 709, 723, 724, 763, 772; D3/202, 272, 273; D23/206, 249, 259, D23/260
 CPC B65D 47/065; B65D 43/02; B65D 43/16; B65D 43/22; B65D 43/26; B65D 47/0885; B65D 47/08; B65D 47/02; B65D 51/212; B65D 51/18; B65D 51/04; B65D 51/24; B65D 43/0202; B65D 2251/0021; B65D 2251/0081; B65D 2543/00046; B65D 2543/00231; A45F 3/18; A47G 19/00; A47G 19/2272; A47G 19/2266

See application file for complete search history.

(56) **References Cited**

U.S. PATENT DOCUMENTS

4,948,009 A 8/1990 Sawatani
 5,318,203 A 6/1994 Iaia et al.
 D436,040 S * 1/2001 Warner D9/449
 D437,223 S 2/2001 Coy et al.
 6,367,670 B1 * 4/2002 Warner B65D 47/0804
 222/556
 D462,009 S 8/2002 Poisson et al.
 D476,892 S * 7/2003 Martin D9/447
 D530,202 S * 10/2006 Herald D9/449
 7,124,917 B2 10/2006 Lee
 D547,605 S 7/2007 Edelstein et al.
 D547,607 S 7/2007 Forsman
 D562,065 S 2/2008 Smaldone
 D586,184 S 2/2009 Miller et al.
 D588,915 S * 3/2009 Lohrman D9/449
 D591,595 S 5/2009 Tedford, Jr.
 7,717,284 B2 * 5/2010 Giusti B01L 3/50825
 215/305
 D626,837 S 11/2010 Meyers et al.
 D626,838 S 11/2010 Meyers et al.
 D628,887 S * 12/2010 Groubert D9/449
 D628,890 S * 12/2010 Groubert D9/449
 D628,893 S * 12/2010 Groubert D9/449
 D636,672 S * 4/2011 Lohrman D9/438
 D649,878 S 12/2011 Weiss
 D649,879 S 12/2011 Gullickson et al.
 D652,256 S 1/2012 Eyal
 8,146,770 B2 4/2012 Newman
 D660,696 S 5/2012 Weiss
 D666,490 S 9/2012 Leon
 D677,121 S 3/2013 Meyers et al.
 D679,541 S 4/2013 Samartgis
 D682,034 S 5/2013 El-Saden et al.
 D686,870 S * 7/2013 Young D7/392.1
 D696,551 S 12/2013 Meyers et al.
 D696,941 S 1/2014 Kim
 D696,942 S 1/2014 Kim
 D696,943 S 1/2014 Kim
 D704,053 S 5/2014 Kim
 D705,058 S 5/2014 Kim
 D707,124 S 6/2014 Blain et al.
 D711,230 S * 8/2014 den Boer D9/449
 D713,723 S * 9/2014 den Boer D9/449

D713,724 S * 9/2014 den Boer D9/449
 8,833,586 B2 * 9/2014 Meyers B65D 47/089
 215/395
 D716,141 S 10/2014 Rush
 D716,657 S 11/2014 Caneer
 D719,780 S * 12/2014 Sullivan D7/392.1
 D721,276 S 1/2015 Herbst
 D723,328 S * 3/2015 Steel D7/396.2
 D723,332 S 3/2015 Steel
 D727,093 S 4/2015 Lapsker
 D729,569 S 5/2015 Herbst et al.
 D730,694 S 6/2015 Elsaden et al.
 D734,152 S 7/2015 Hager et al.
 D737,139 S 8/2015 Sokoly
 D739,183 S 9/2015 Lane
 D740,605 S 10/2015 Wodka et al.
 D741,637 S 10/2015 Palermo et al.
 D742,230 S * 11/2015 Charles D7/396.2
 D745,827 S 12/2015 Sorensen et al.
 D747,136 S 1/2016 Lane et al.
 D750,490 S * 3/2016 Moore D9/446
 D754,535 S 4/2016 Kim
 D758,127 S * 6/2016 Zhao D7/392.1
 9,392,893 B2 7/2016 Sorensen et al.
 D768,491 S * 10/2016 Sorensen D7/392.1
 D781,703 S 3/2017 Strachan
 D782,310 S * 3/2017 Li D9/434
 D793,154 S * 8/2017 Sorensen D7/392.1
 9,790,007 B2 10/2017 Sorensen et al.
 D814,855 S * 4/2018 Hammer D7/392.1
 D831,482 S 10/2018 Meyers
 2002/0179604 A1 12/2002 Germain et al.
 2003/0052126 A1 3/2003 Zettle et al.
 2006/0226110 A1 10/2006 Choi et al.
 2008/0099514 A1 5/2008 Carter et al.
 2008/0257899 A1 10/2008 Whitaker et al.
 2010/0224631 A1 9/2010 Roth et al.
 2011/0017760 A1 1/2011 Newman
 2011/0139800 A1 6/2011 Urban
 2011/0253733 A1 10/2011 Meyers et al.
 2012/0055818 A1 3/2012 Zimmern
 2012/0061398 A1 * 3/2012 Nilsson A47J 43/27
 220/568
 2013/0062304 A1 3/2013 Meyers et al.
 2014/0069918 A1 * 3/2014 Meyers B65D 51/242
 220/212.5
 2014/0263324 A1 9/2014 Latham et al.
 2014/0299614 A1 10/2014 Mithal
 2014/0360908 A1 12/2014 Sorensen et al.
 2015/0014322 A1 1/2015 Kim
 2015/0201773 A1 7/2015 Sorensen et al.
 2015/0201774 A1 7/2015 Sorensen et al.
 2015/0201775 A1 * 7/2015 Sorensen A47G 19/2266
 222/482
 2015/0329255 A1 * 11/2015 Rzepecki B65D 43/16
 222/189.06
 2016/0007780 A1 1/2016 Dolan et al.
 2017/0313478 A1 * 11/2017 El-Saden A45F 3/16
 2018/0050850 A1 2/2018 Murosky et al.

OTHER PUBLICATIONS

Design U.S. Appl. No. 29/664,154, filed Sep. 21, 2018, titled "Mouthpiece", 11 pages.
 Beachbody on Demand. 11 Water Bottles We're Lusting After. Apr. 15, 2016 [earliest online date], [site visited Oct. 11, 2017]. Available from Internet, <URL:https://www.beachbodyondemand.com/blog/11-water-bottles-were-lusting-after>. (Year: 2016).
 Amazon. Duo Classic protein Shaker Bottle. Jul. 30, 2014 [earliest online date], [site visited Oct. 11, 2017]. Available from Internet, <URL:https://www.amazon.com/Duo-Classic-Protein-Shaker-Bottle/dp/B00J9XRIEU?th=1>. (Year: 2014).
 Design U.S. Appl. No. 29/602,291, filed Apr. 28, 2017, titled "Lid and Spout", 34 pages.
 Design U.S. Appl. No. 29/634,621, filed Jan. 23, 2018, titled "Mouthpiece", 11 pages.

(56)

References Cited

OTHER PUBLICATIONS

Design U.S. Appl. No. 29/693,888, filed Jun. 5, 2019, titled "Mouth-piece", 11 pages.

* cited by examiner

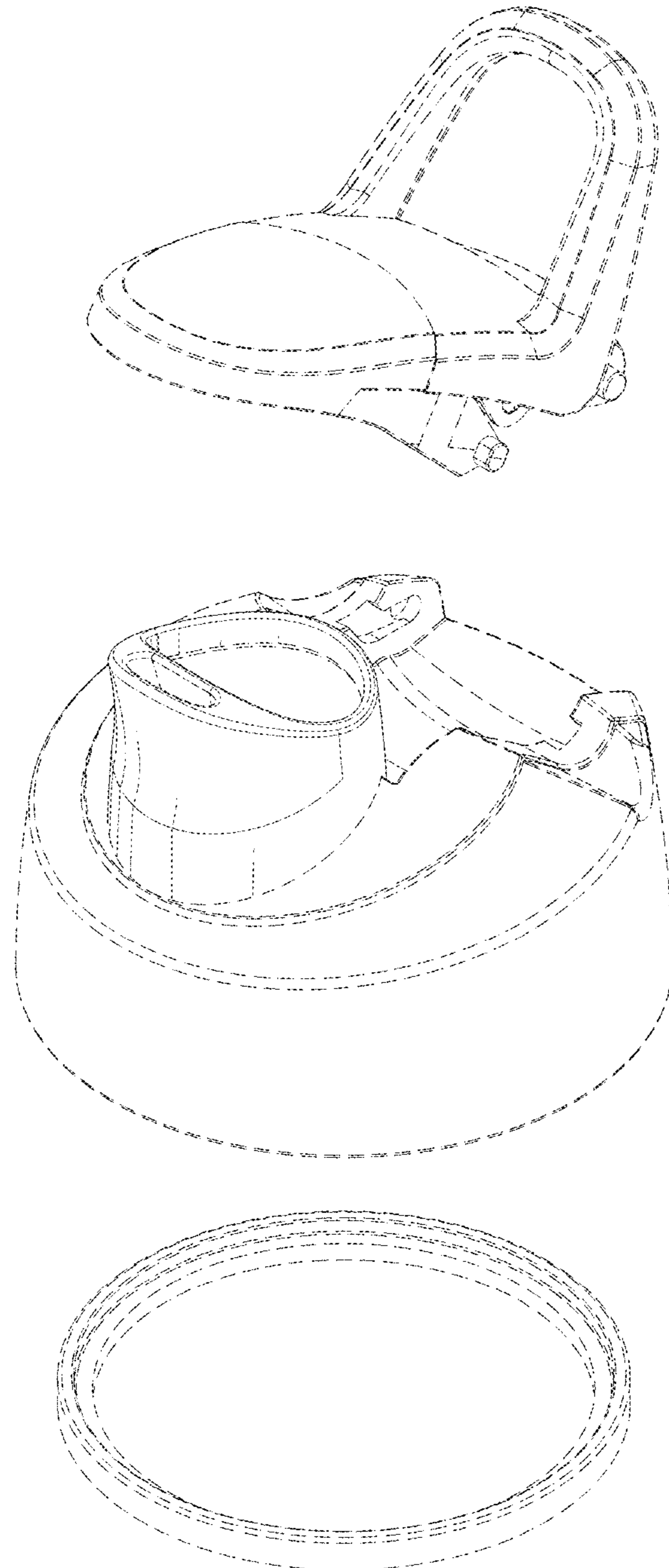
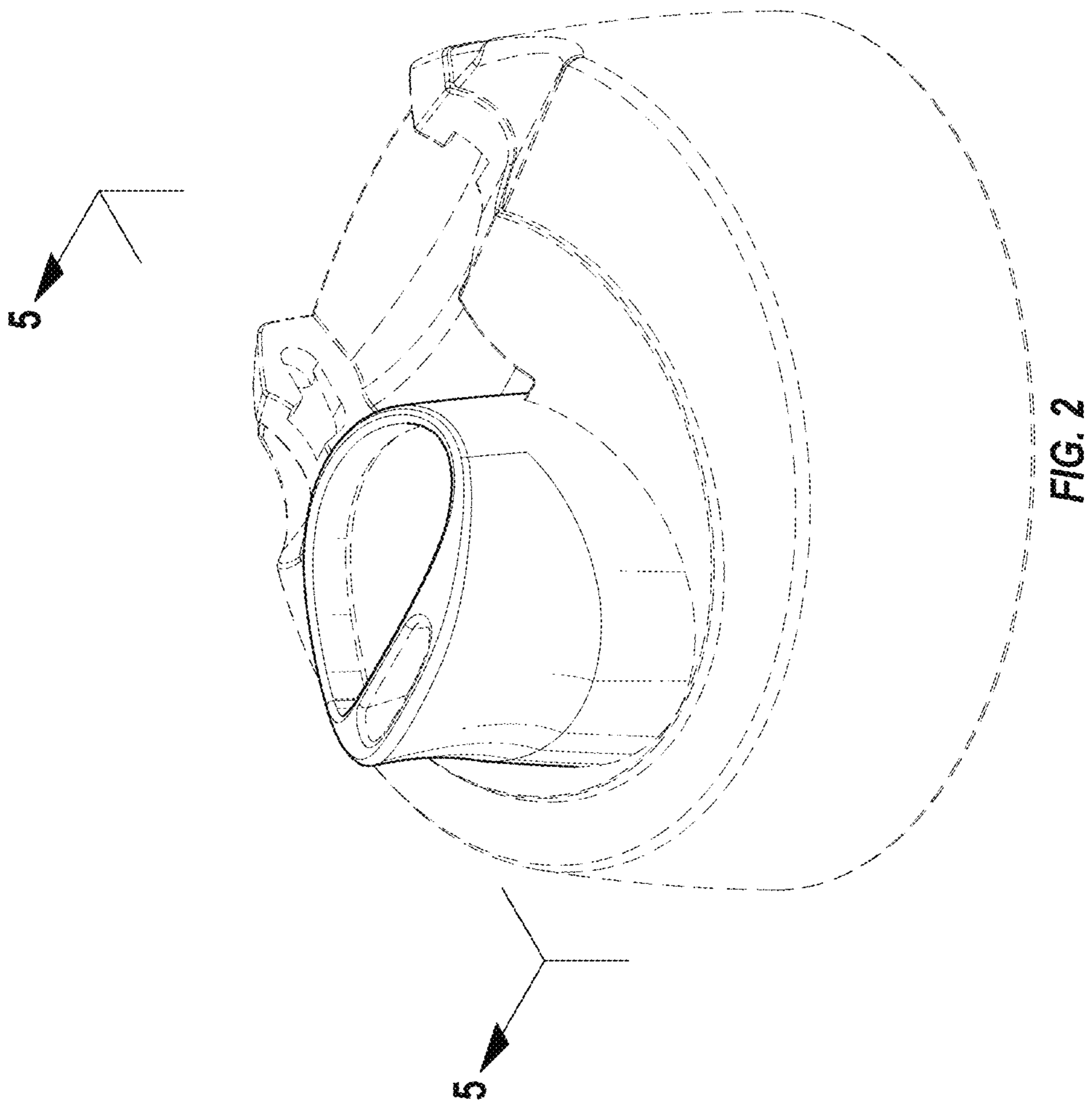


FIG. 1



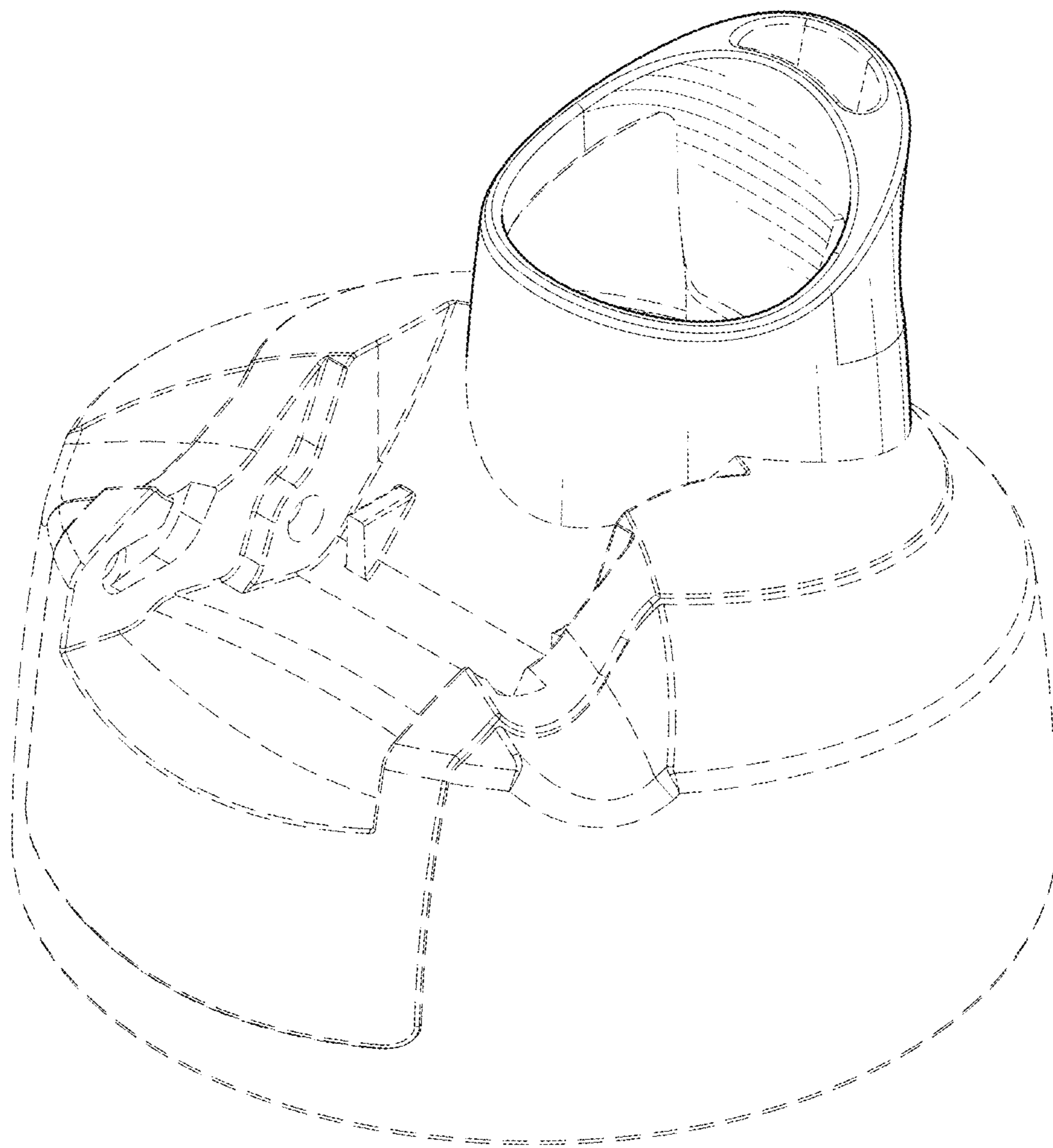


FIG. 3

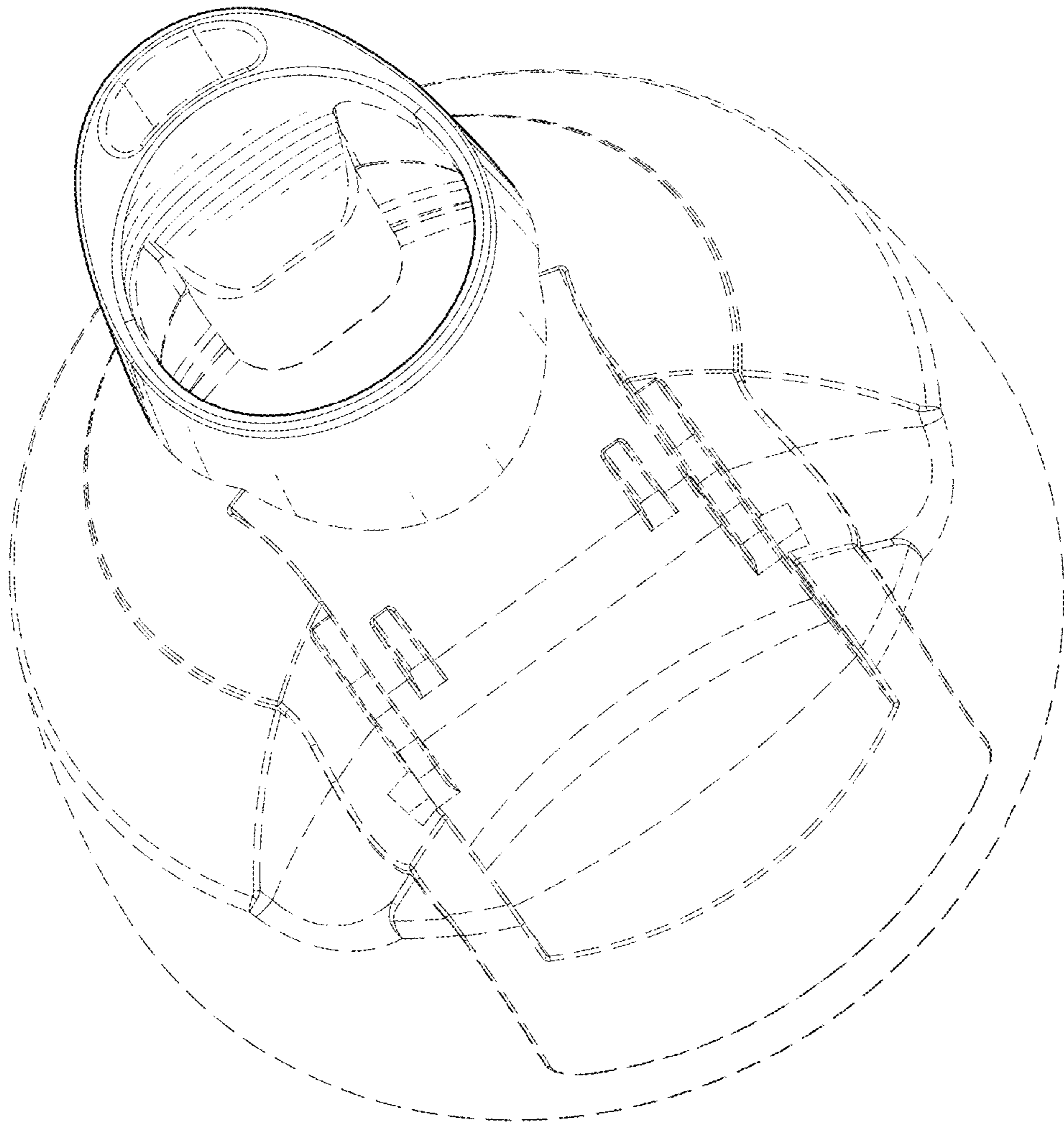


FIG. 4

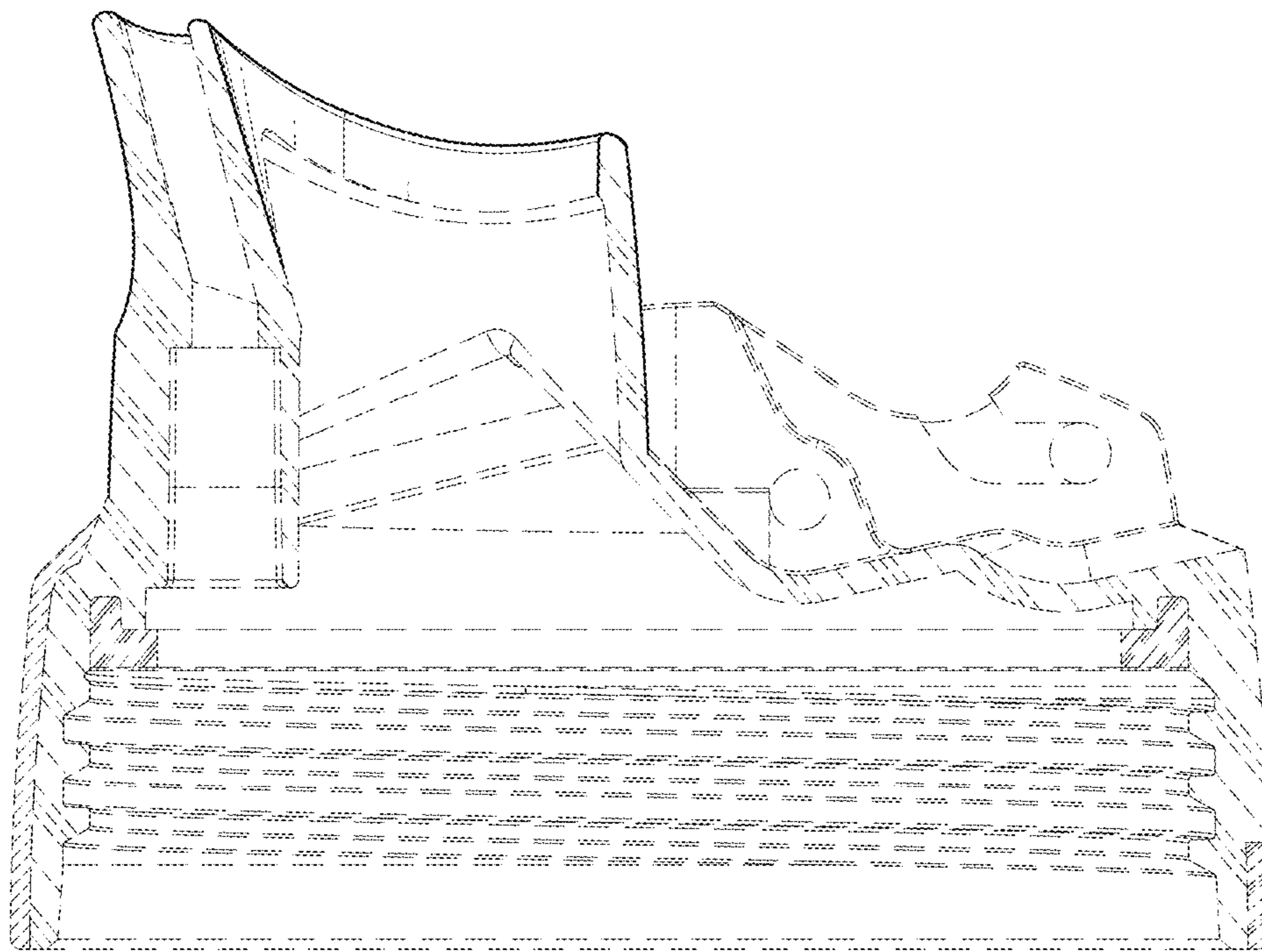


FIG. 5

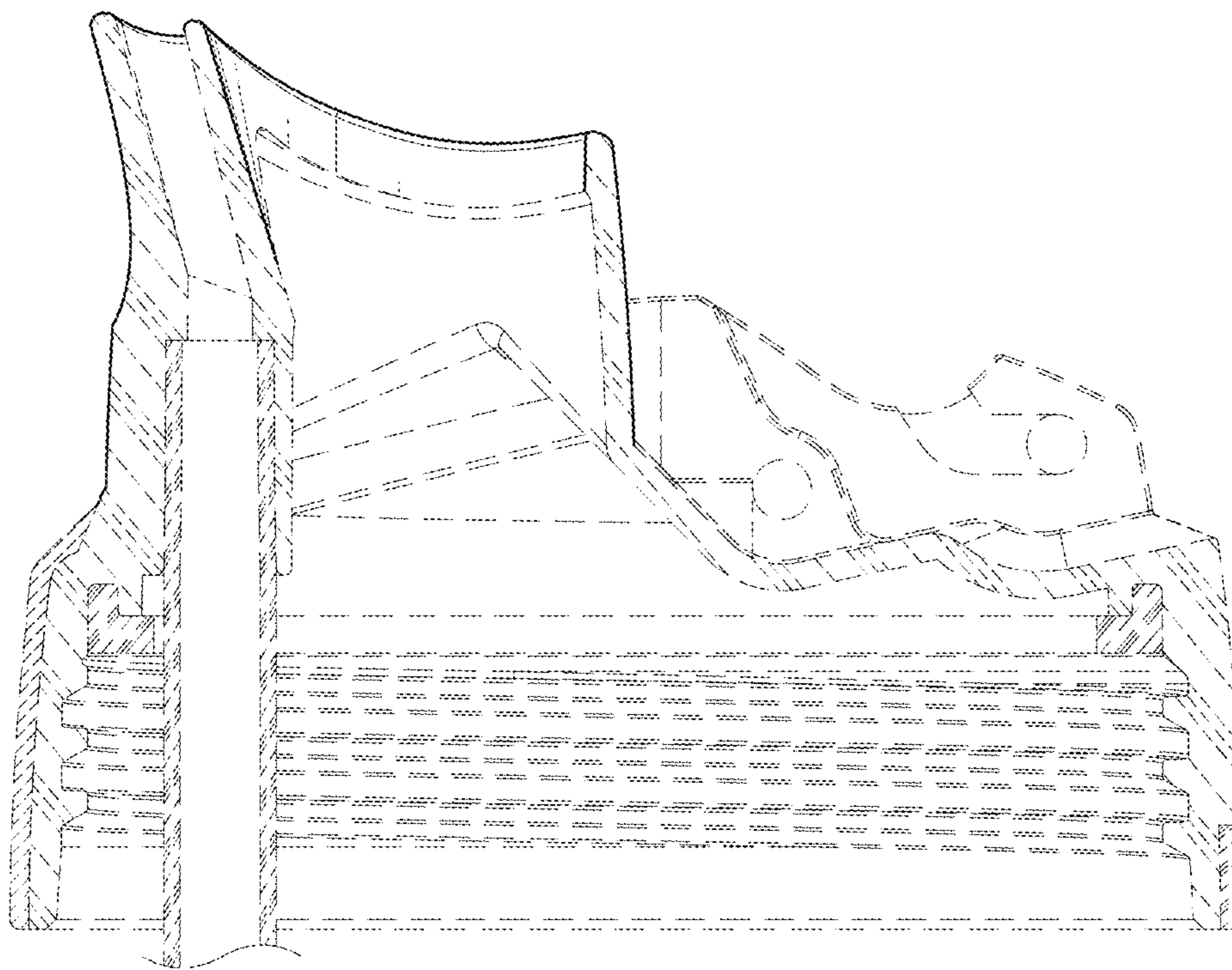


FIG. 6

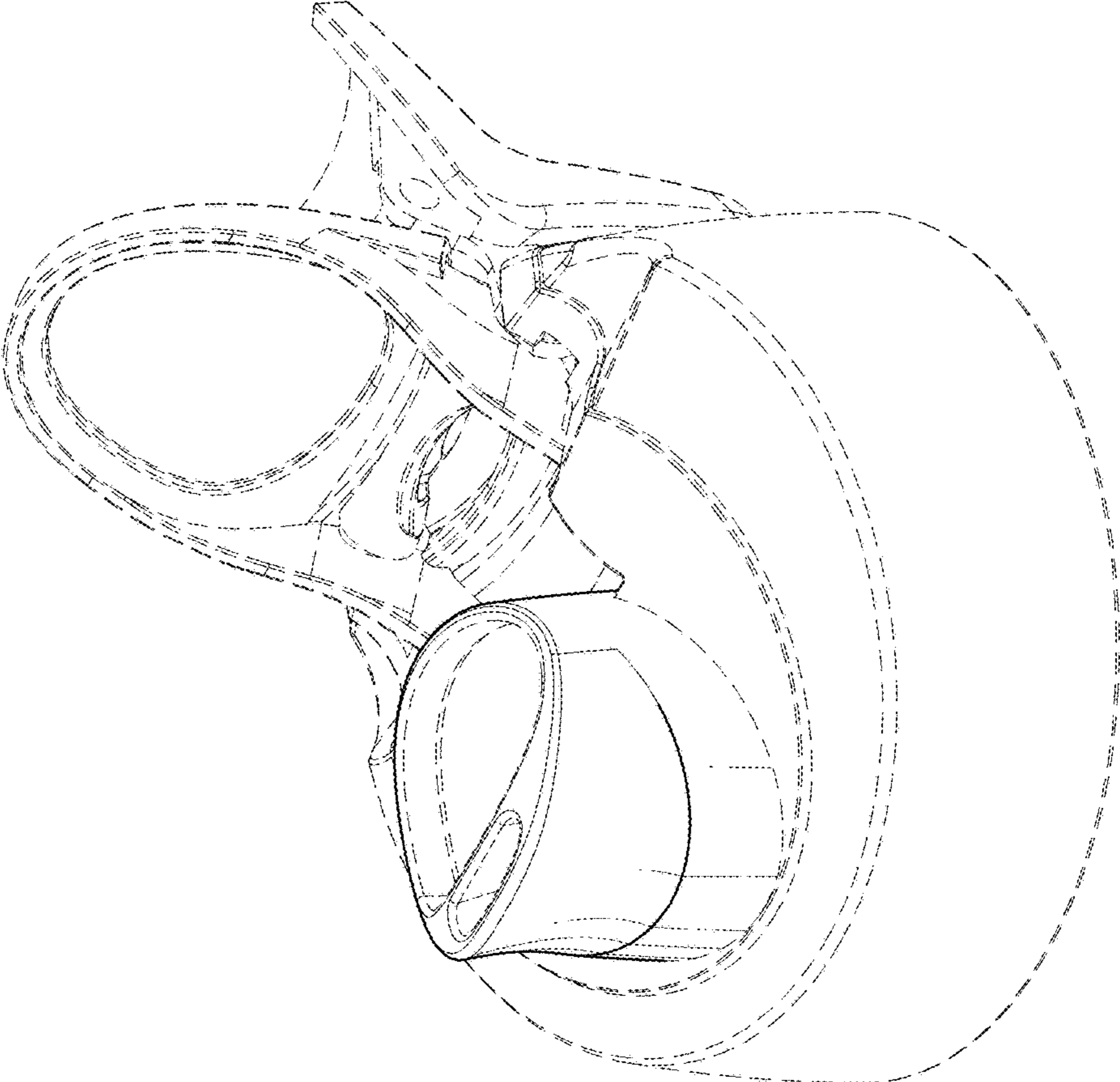


FIG. 7

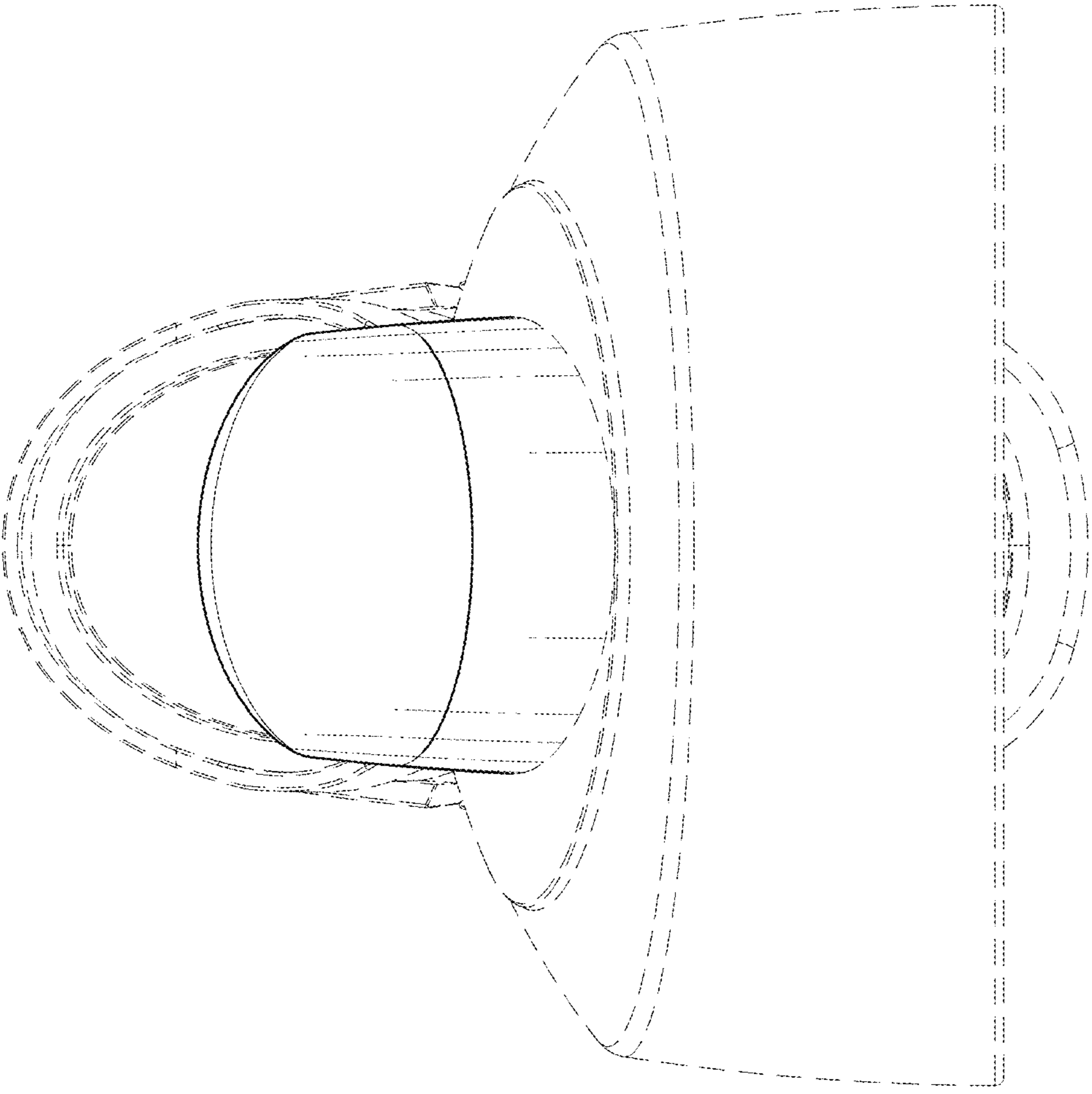


FIG. 8

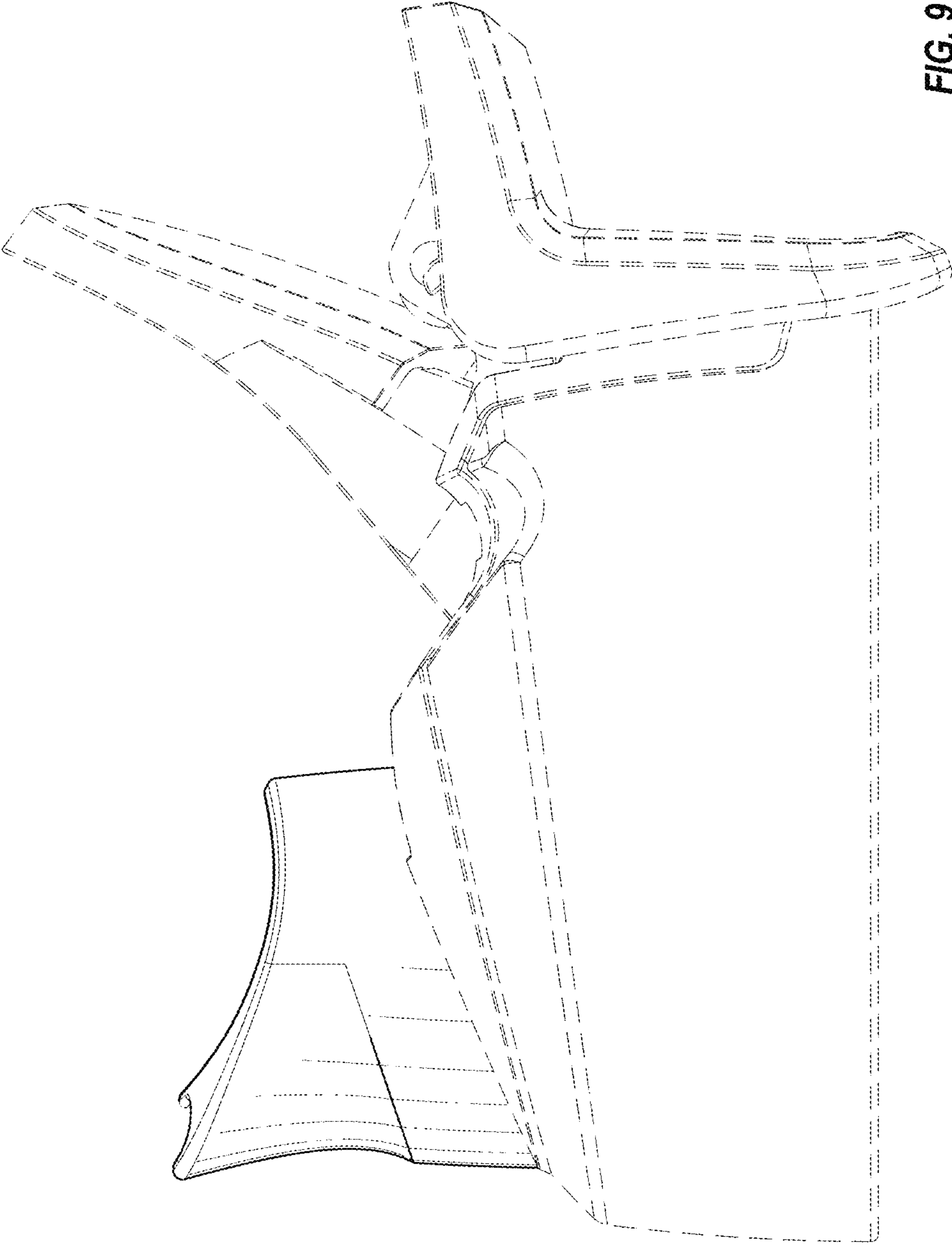


FIG. 9

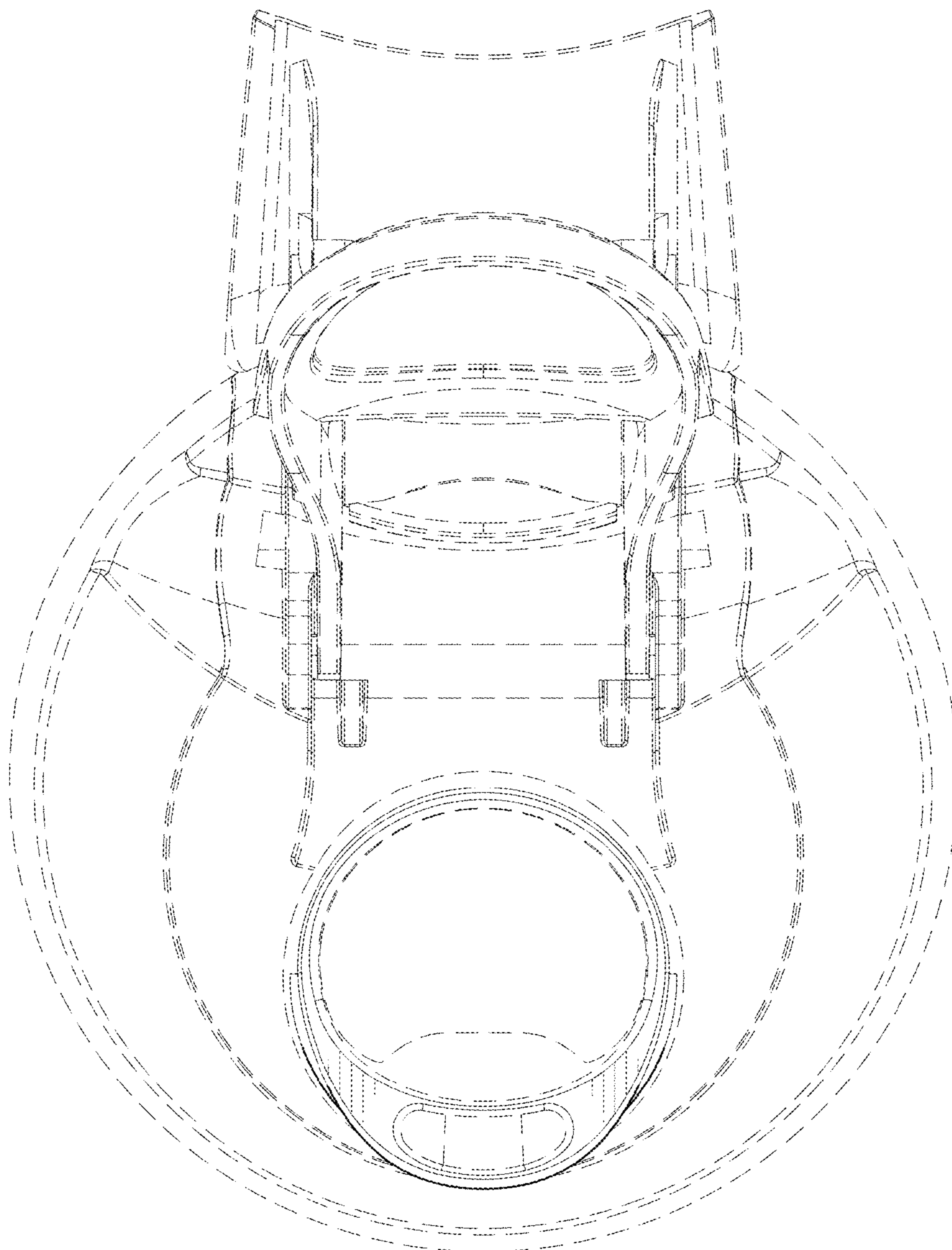


FIG. 10

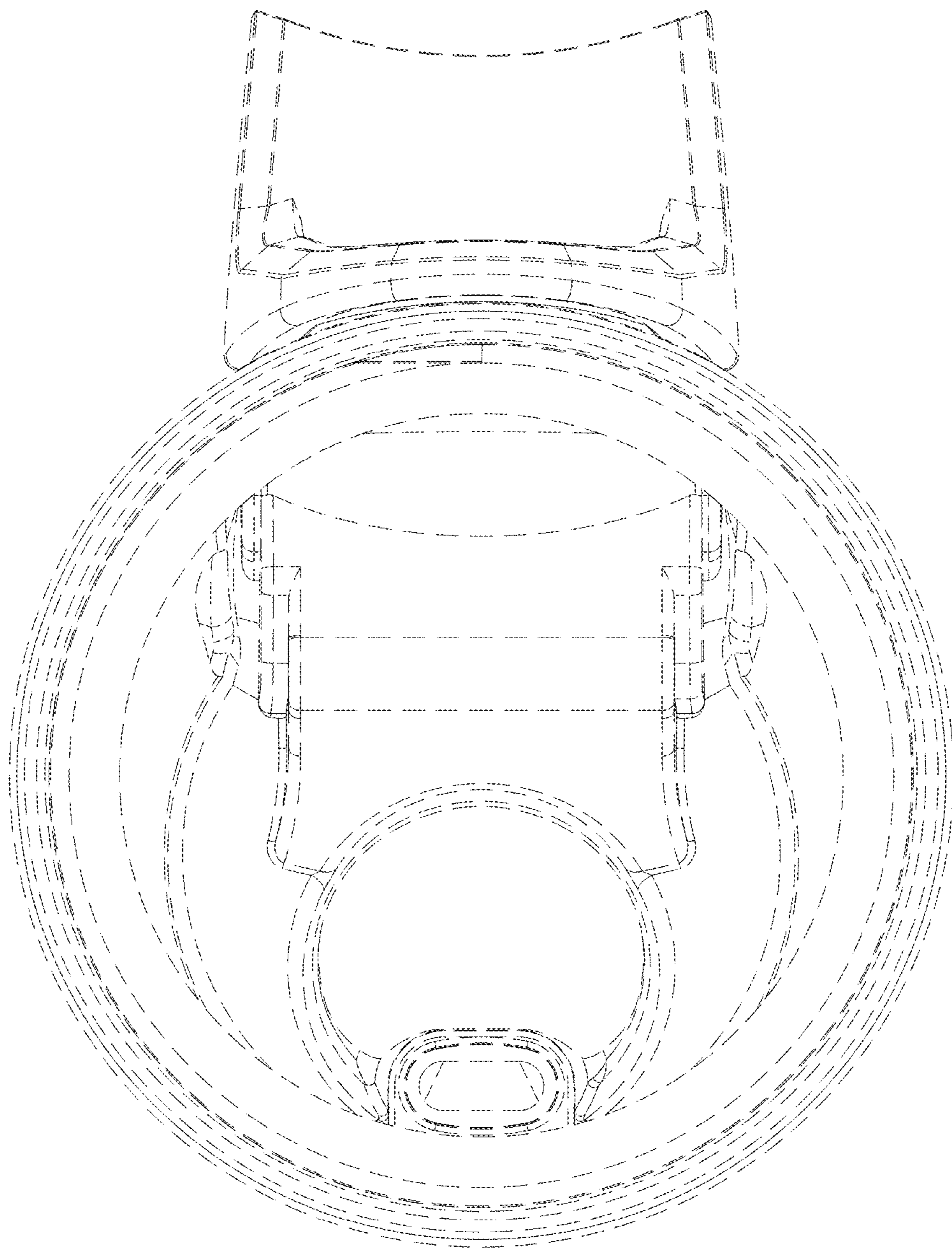


FIG. 11

UNITED STATES PATENT AND TRADEMARK OFFICE
CERTIFICATE OF CORRECTION

PATENT NO. : D863,877 S
APPLICATION NO. : 29/580621
DATED : October 22, 2019
INVENTOR(S) : David O. Meyers

Page 1 of 1

It is certified that error appears in the above-identified patent and that said Letters Patent is hereby corrected as shown below:

On the Title Page

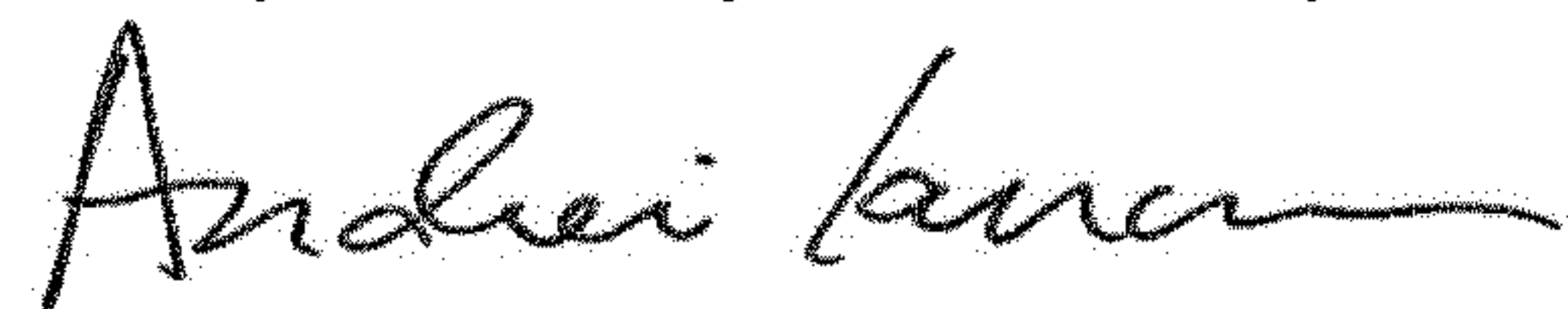
Item (63) replace:

“Continuation of application No. 15/213,360, filed on Jul. 18, 2016, now Pat. No. 10,028,603, and a continuation of application No. 14/598,090, filed on Jan. 15, 2015, now Pat. No. 10,172,488, and a continuation of application No. 29/514,766, filed on Jan. 15, 2015, now Pat. No. Des. 768,491, which is a continuation of application No. 14/598,075, filed on Jan. 15, 2015, now Pat. No. 9,392,893, and a continuation of application No. 14/598,087, filed on Jan. 15, 2015, now Pat. No. 10,004,348.”

With:

--Continuation of application No. 29/514,766, filed on Jan. 15, 2015, now Pat. No. Des. 768,491, and a continuation of application No. 15/213,360, filed on Jul. 18, 2016, now Pat. No. 10,028,603, and a continuation of application No. 14/598,087, filed on Jan. 15, 2015, now Pat. No. 10,004,348, and a continuation of application No. 14/598,090, filed on Jan. 15, 2015, now Pat. No. 10,172,488. Said application No. 15/213,360 is a continuation of application No. 14/598,075, filed on Jan. 15, 2015, now Pat. No. 9,392,893.--

Signed and Sealed this
Twenty-fifth Day of February, 2020



Andrei Iancu
Director of the United States Patent and Trademark Office