



US00D863876S

(12) **United States Design Patent** (10) **Patent No.:** **US D863,876 S**  
**Alprin** (45) **Date of Patent:** **\*\* Oct. 22, 2019**

(54) **LID**

(71) Applicant: **Silver Buffalo, LLC**, New York, NY (US)

(72) Inventor: **Greg Alprin**, Fairfield, CT (US)

(73) Assignee: **Silver Buffalo, LLC**, New York, NY (US)

(\*\*) Term: **15 Years**

(21) Appl. No.: **29/632,915**

(22) Filed: **Jan. 10, 2018**

(51) **LOC (12) Cl.** ..... **07-99**

(52) **U.S. Cl.**  
USPC ..... **D7/392.1; D7/392**

(58) **Field of Classification Search**  
USPC ..... D9/452, 453, 454, 435, 447, 449;  
D7/392, 392.1  
CPC ..... A47G 21/18; A61J 7/0038;  
B65D 2517/0049  
See application file for complete search history.

(56) **References Cited**

**U.S. PATENT DOCUMENTS**

|              |         |            |       |          |
|--------------|---------|------------|-------|----------|
| D272,323 S * | 1/1984  | Bainton    | ..... | D9/438   |
| D416,755 S * | 11/1999 | Trombly    | ..... | D7/391   |
| D457,779 S * | 5/2002  | Gullickson | ..... | D7/392.1 |
| D485,759 S * | 1/2004  | Janky      | ..... | D7/392.1 |
| D500,428 S * | 1/2005  | Ward       | ..... | D7/392.1 |
| D504,796 S * | 5/2005  | Schuler    | ..... | D7/392.1 |
| D572,975 S * | 7/2008  | Germany    | ..... | D7/510   |
| D623,017 S * | 9/2010  | George     | ..... | D7/510   |
| D644,060 S * | 8/2011  | Komeiji    | ..... | D7/392.1 |
| D712,701 S * | 9/2014  | Boroski    | ..... | D7/533   |
| D732,337 S * | 6/2015  | Coon       | ..... | D7/392.1 |
| D789,737 S * | 6/2017  | Eyal       | ..... | D7/300.1 |

(Continued)

**OTHER PUBLICATIONS**

Silver Buffalo website, Tinted lid for 20 oz mug, Earliest publication date from Wayback Machine Mar. 30, 2019, [site visited May

27, 2019], Available on the Internet URL <https://web.archive.org/web/20190330031657/https://shop.silver-buffalo.com/products/tinted-lid-for-20-oz-mug> (Year: 2019).\*

(Continued)

*Primary Examiner* — Karen S Acker

*Assistant Examiner* — Steven B Reinholdt, Jr.

(74) *Attorney, Agent, or Firm* — Ostrager Chong Flaherty & Broitman PC

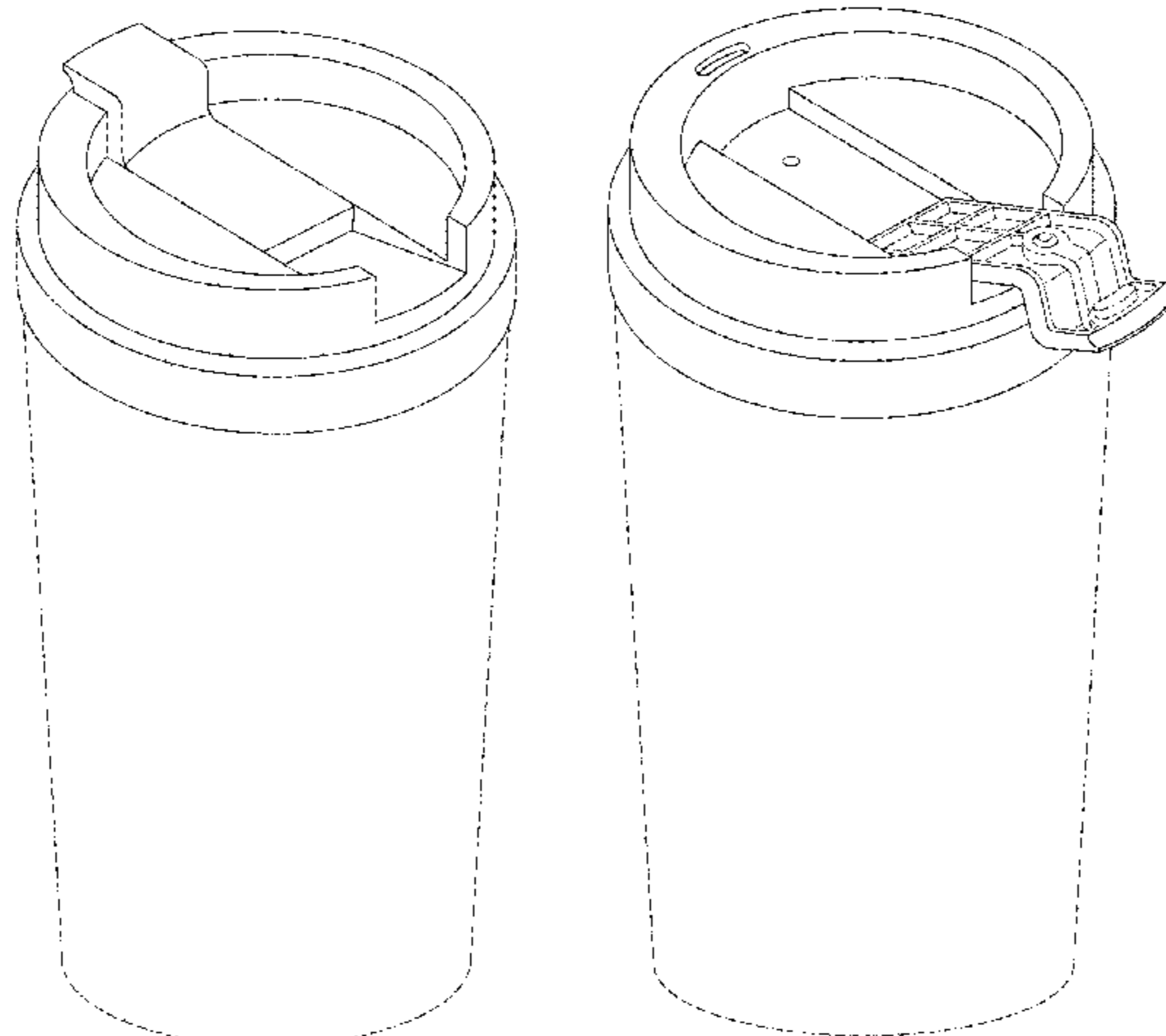
(57) **CLAIM**

I claim the ornamental design for a lid, as shown and described.

**DESCRIPTION**

FIG. 1 is a rear, top and right side perspective view of a lid in a closed position and in a use configuration; FIG. 2 is a top view of the lid of FIG. 1; FIG. 3 is a right side view thereof, the left side view being a mirror image of the right side view; FIG. 4 is a front side view thereof; FIG. 5 is a rear side view thereof; FIG. 6 is a bottom view thereof; FIG. 7 is a rear, top and right side perspective view of a lid of FIG. 1 in an open position and in a use configuration; FIG. 8 is a top view of the lid of FIG. 7; FIG. 9 is a right side view thereof, the left side view being a mirror image of the right side view; FIG. 10 is a front side view thereof; FIG. 11 is a rear side view thereof; and, FIG. 12 is a bottom view thereof. The broken lines in FIGS. 6, 7, 8, 9, 11, and 12 depict portions of the lid that form no part of the claimed design. The broken lines in FIGS. 1 and 7 illustrating an unclaimed item of drinkware depict environmental subject matter that forms no part of the claimed design.

**1 Claim, 8 Drawing Sheets**





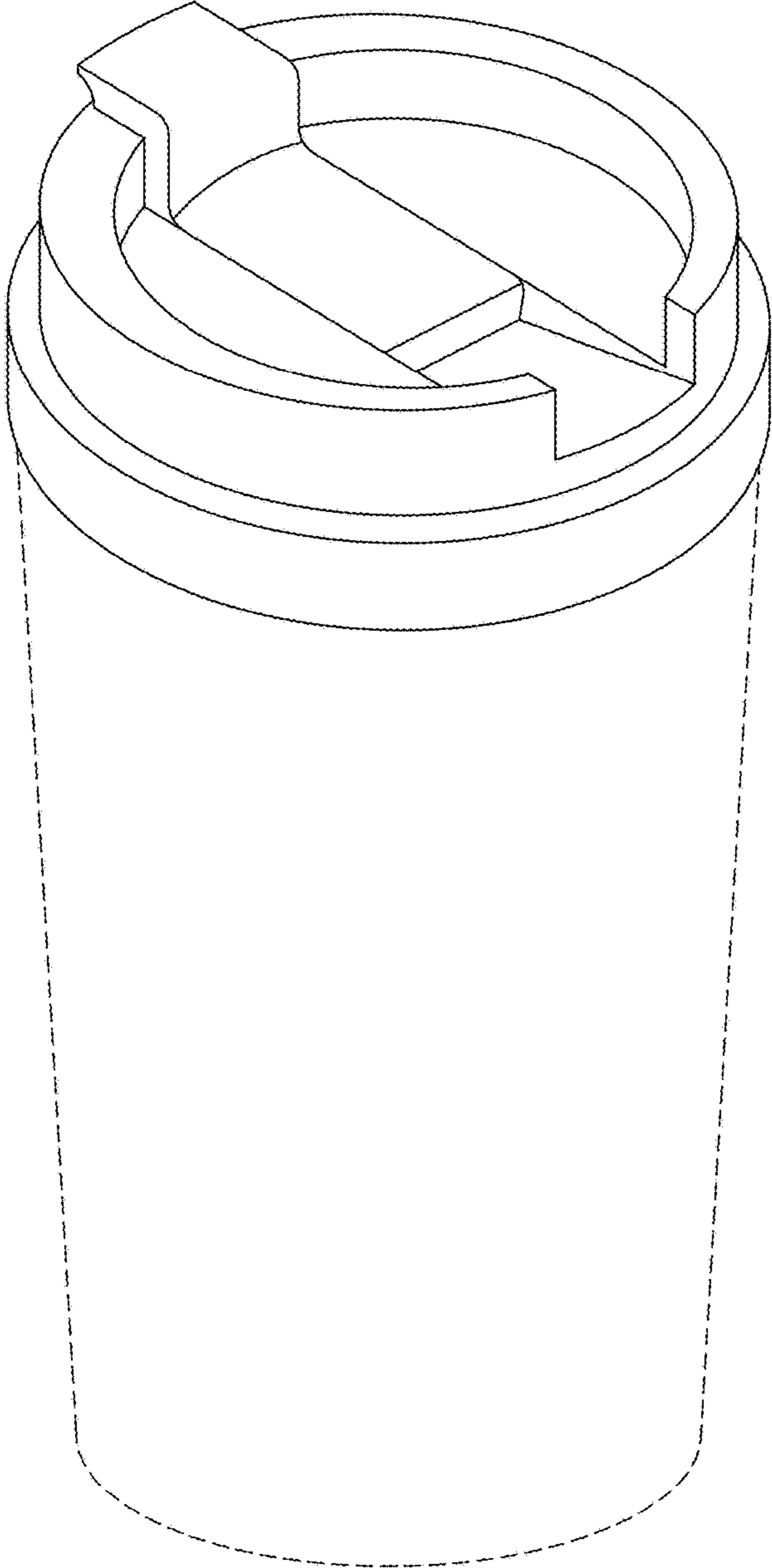


FIG. 1

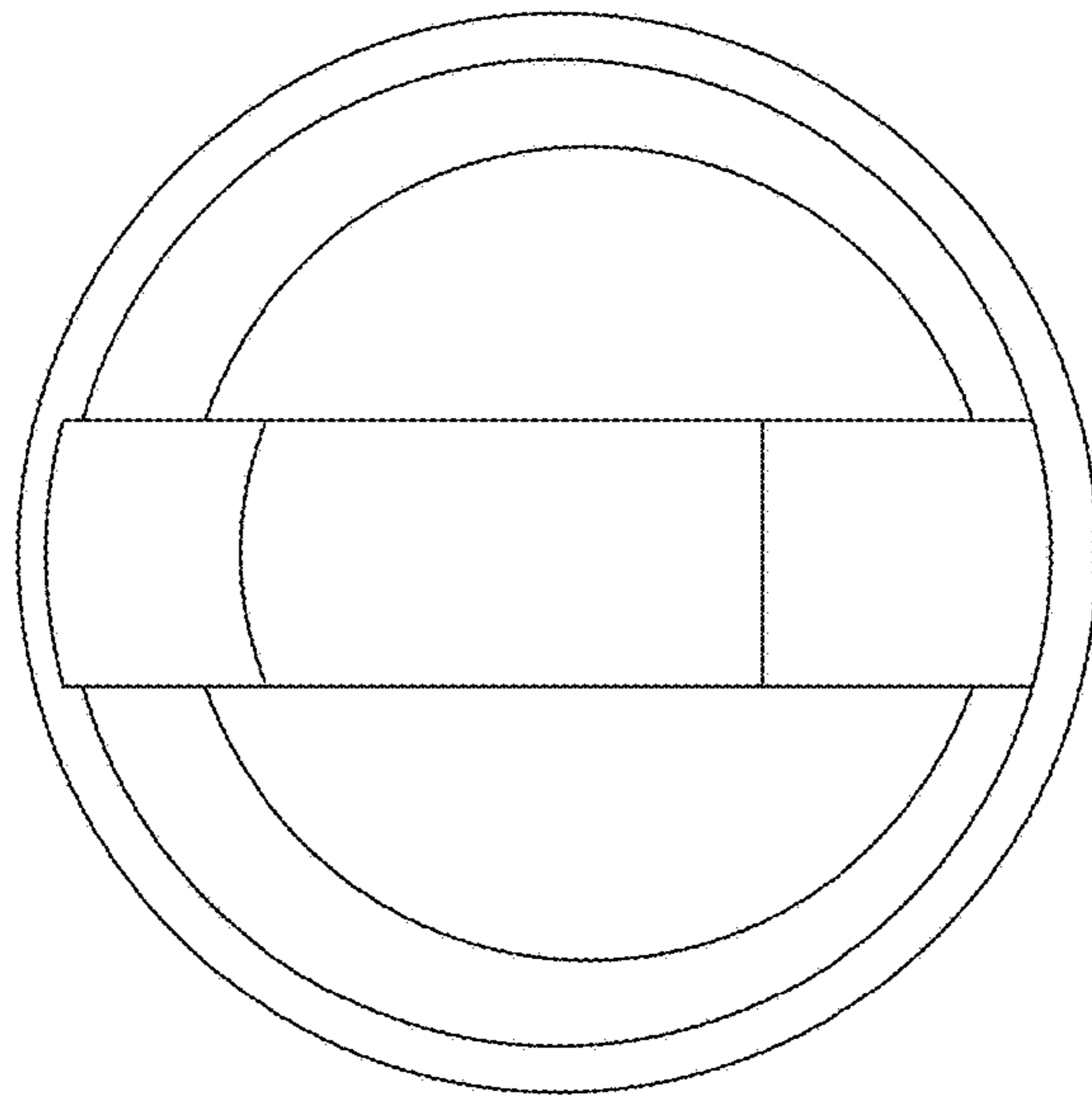


FIG. 2

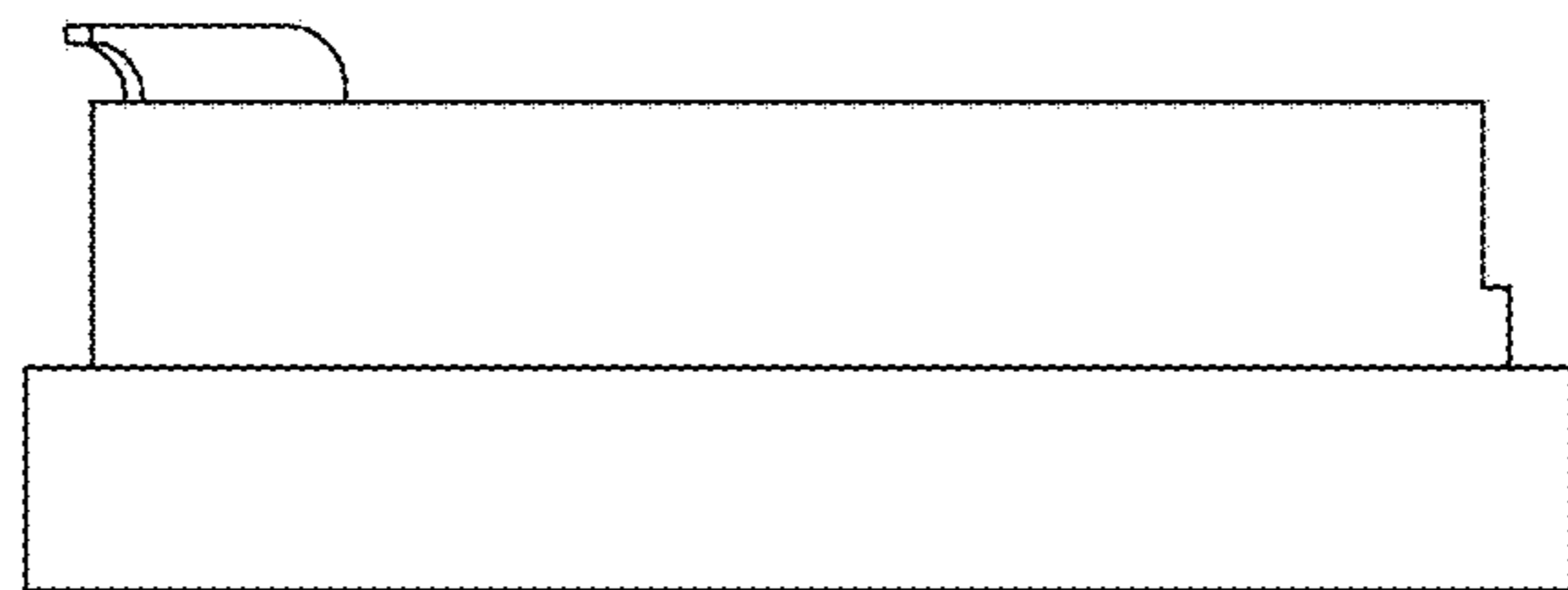


FIG. 3

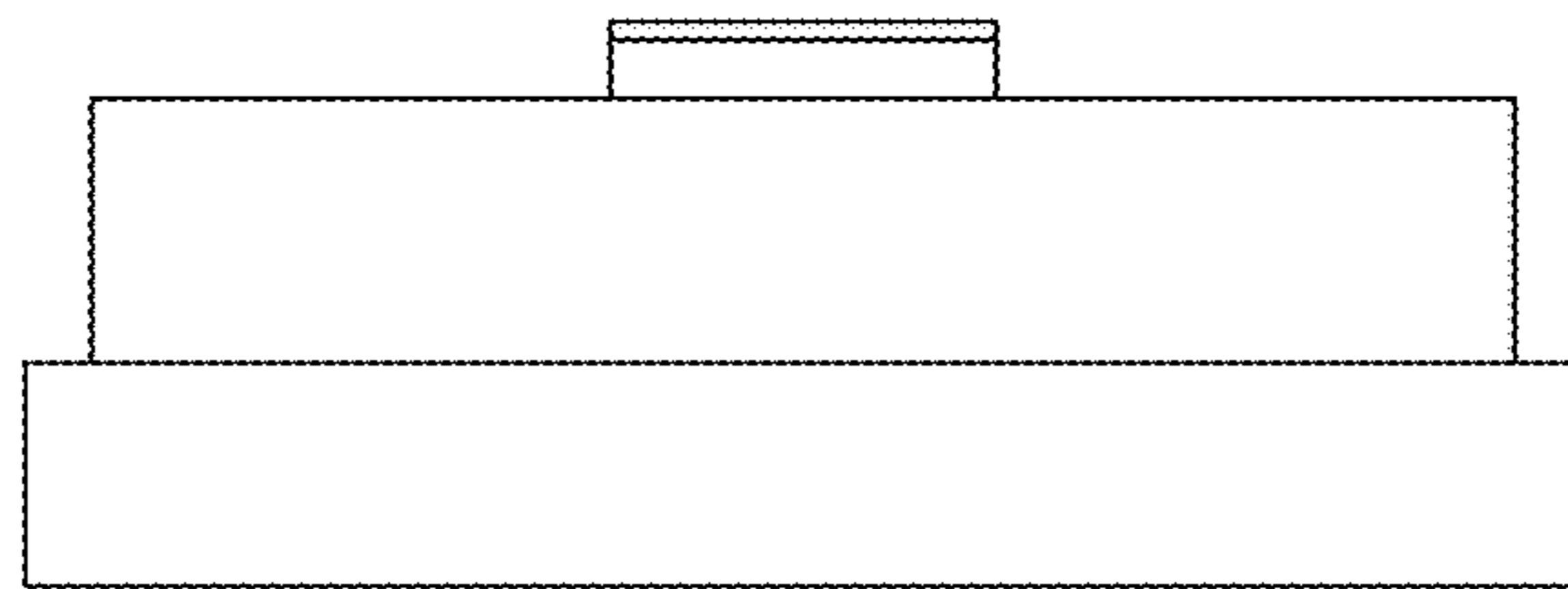


FIG. 4

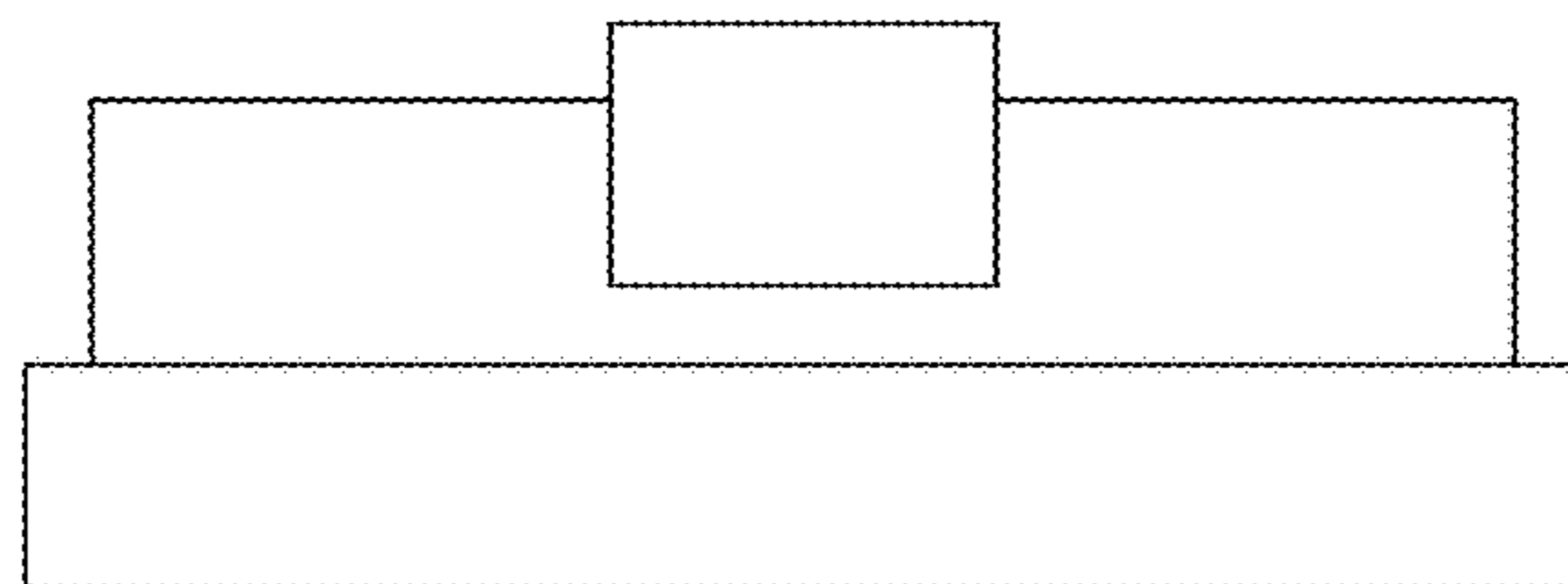


FIG. 5

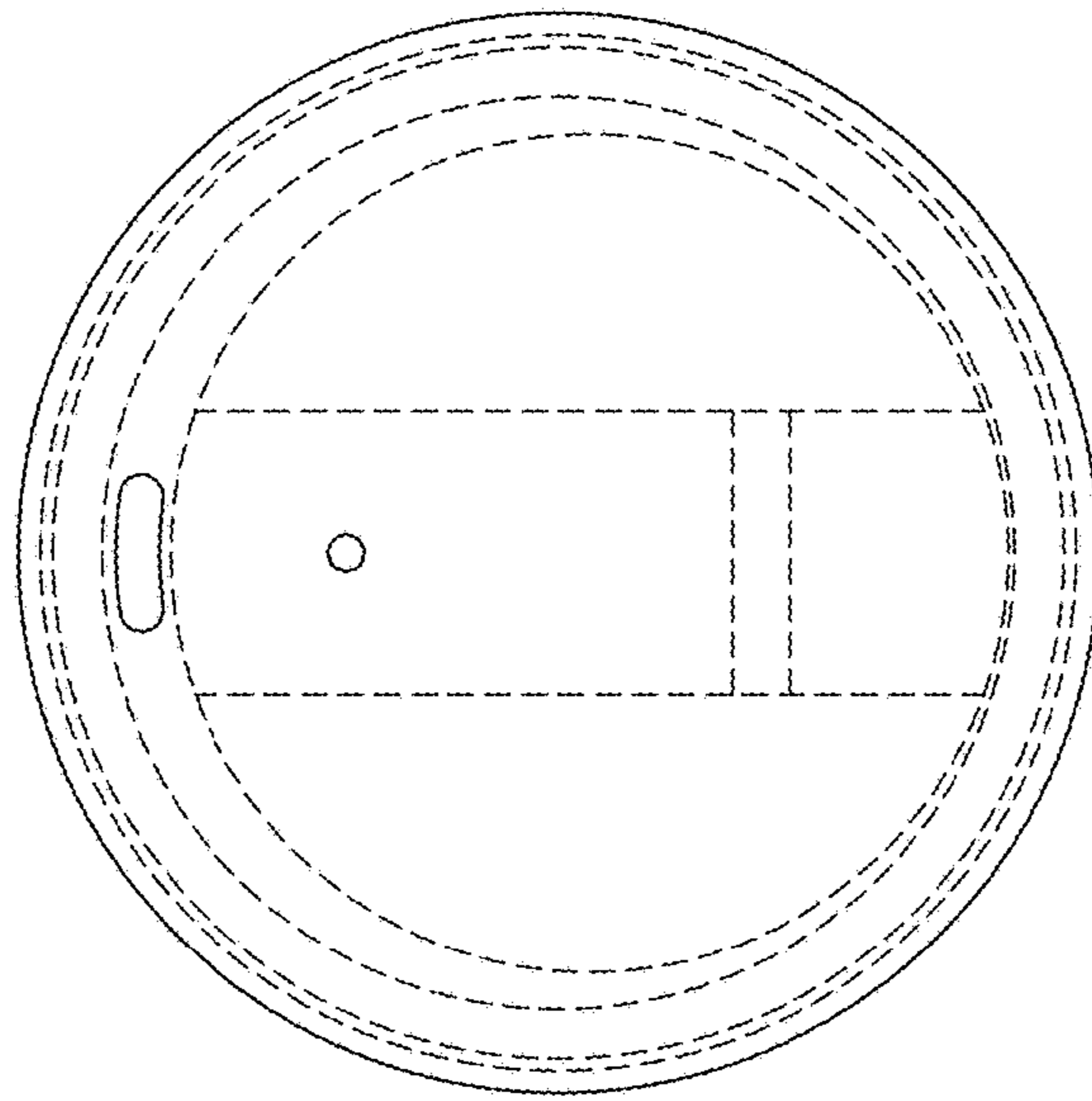


FIG.6

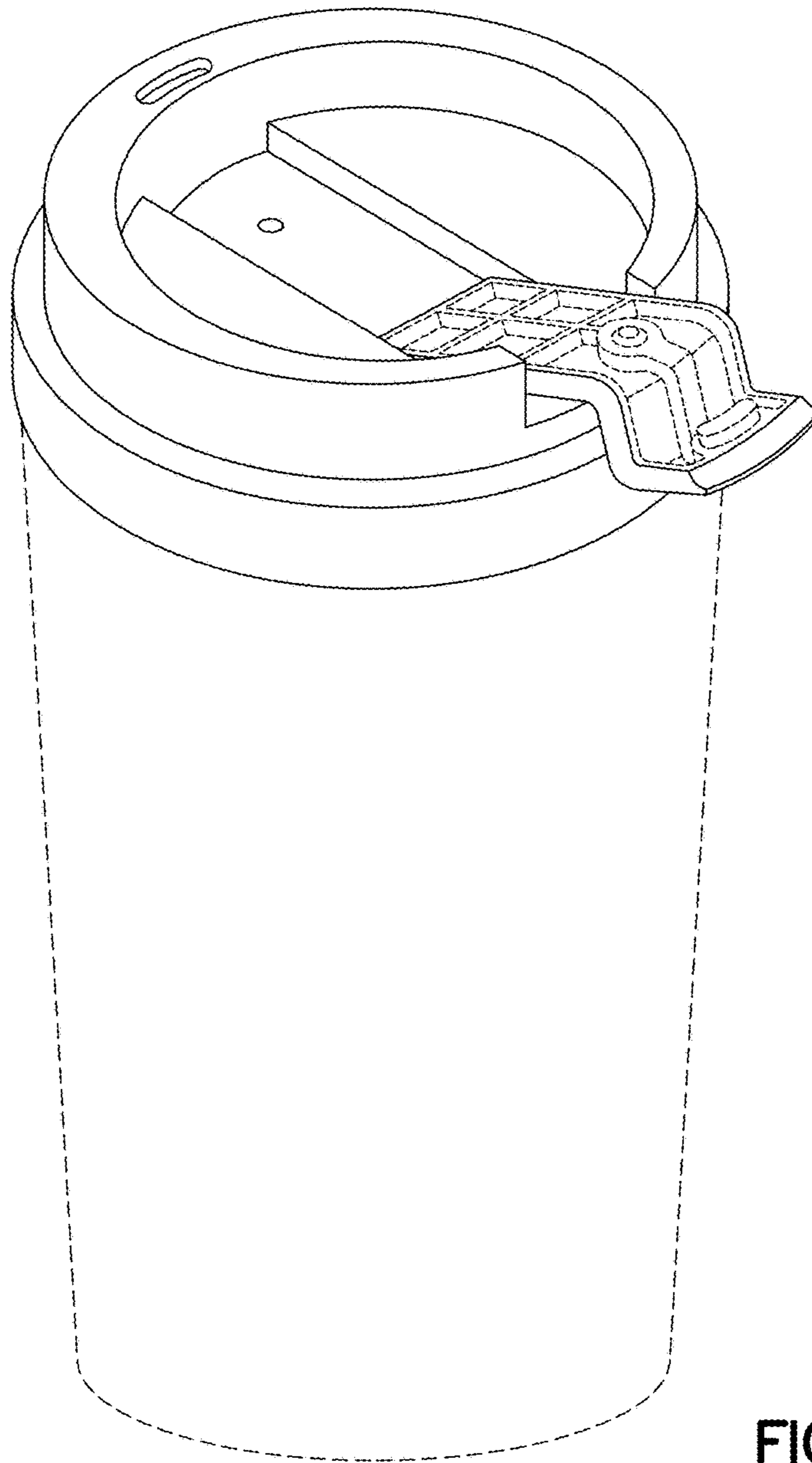


FIG.7



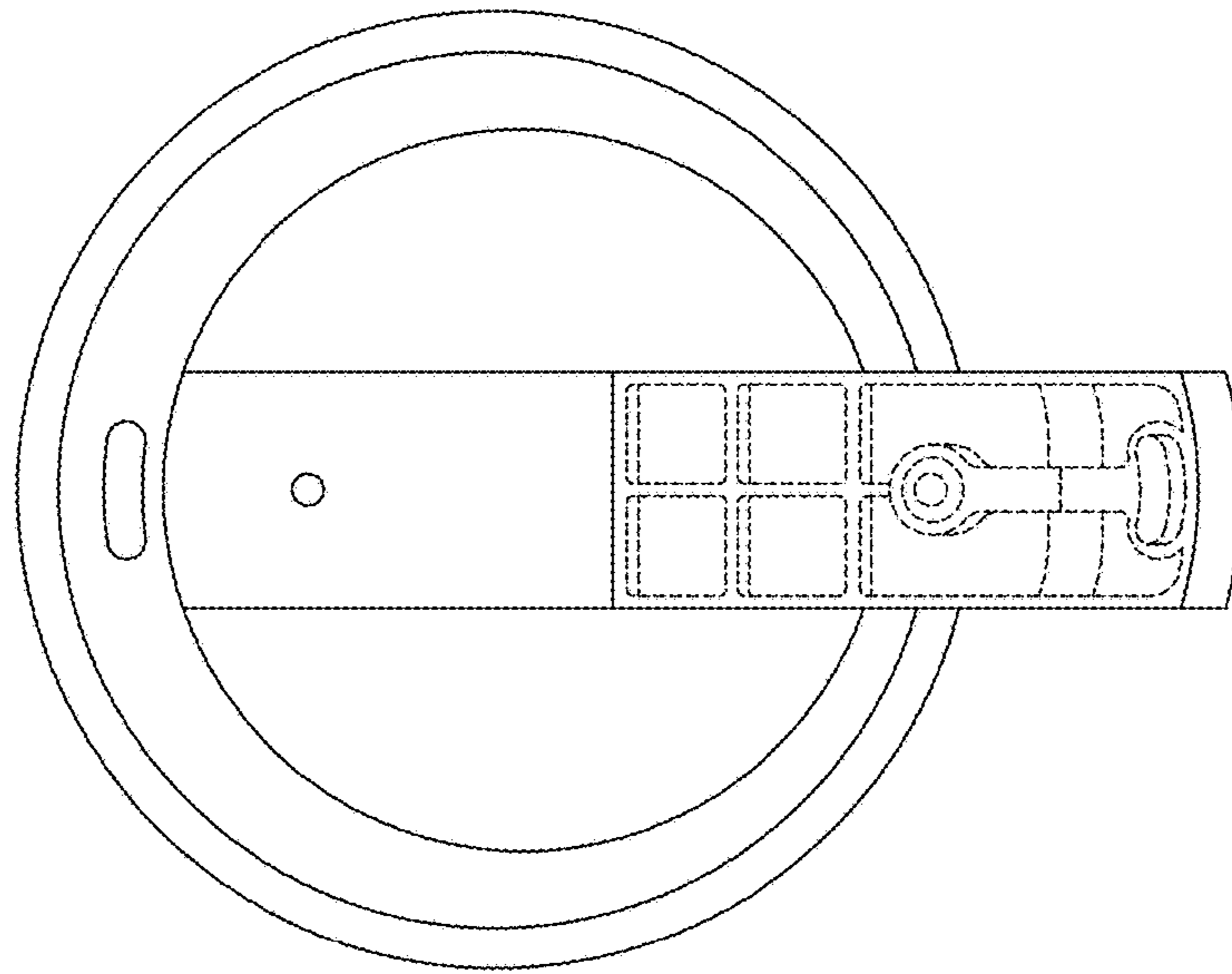


FIG. 8

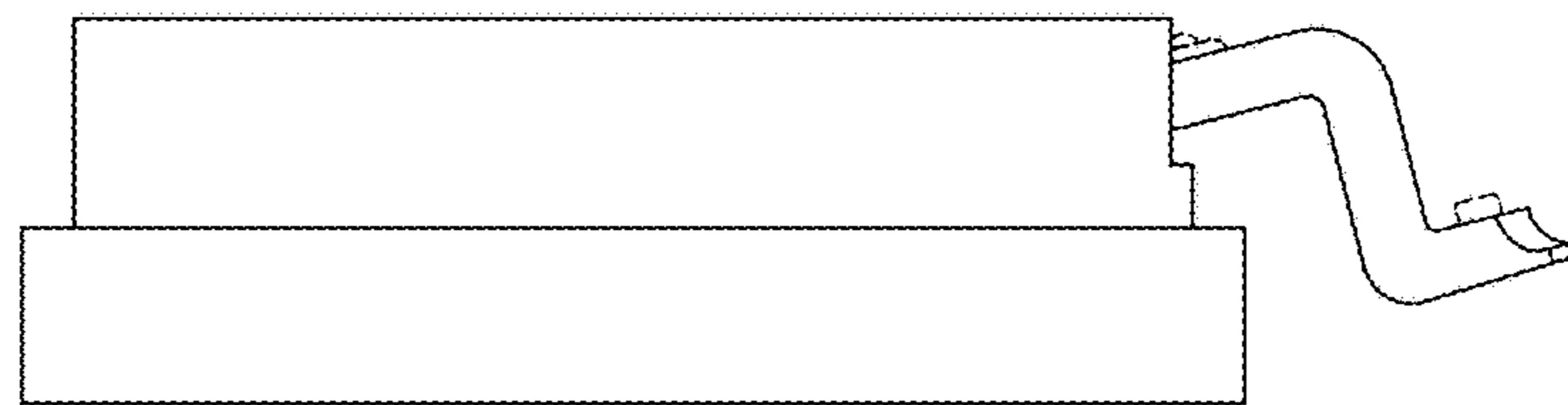


FIG. 9



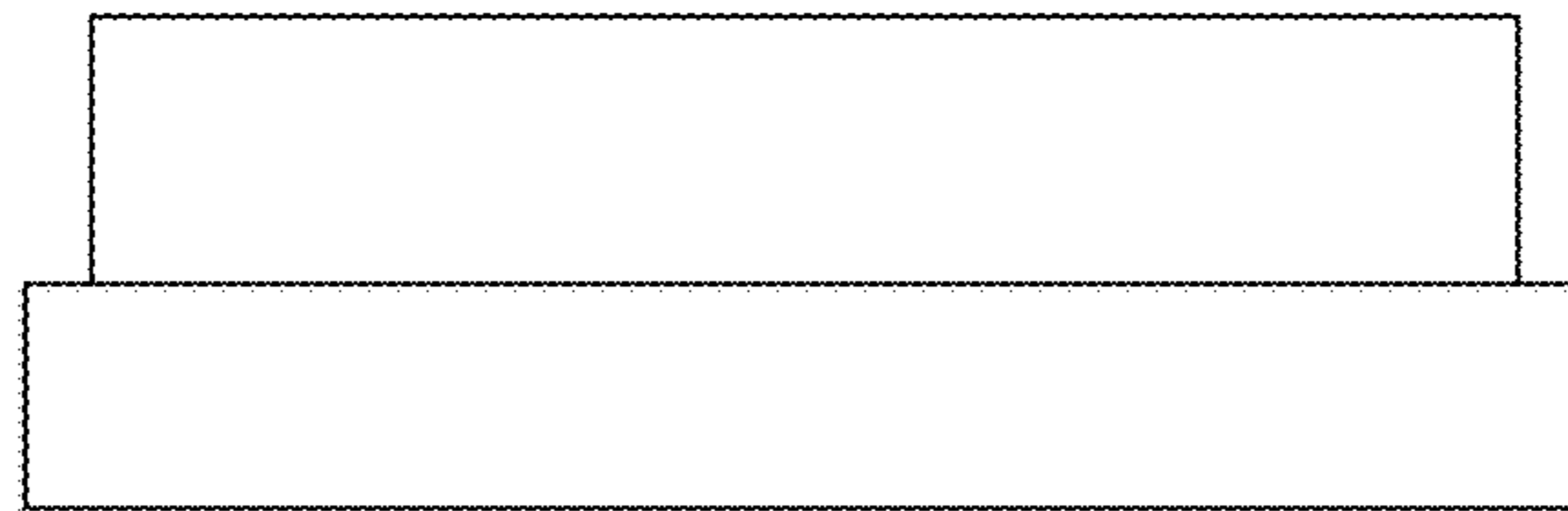


FIG. 10

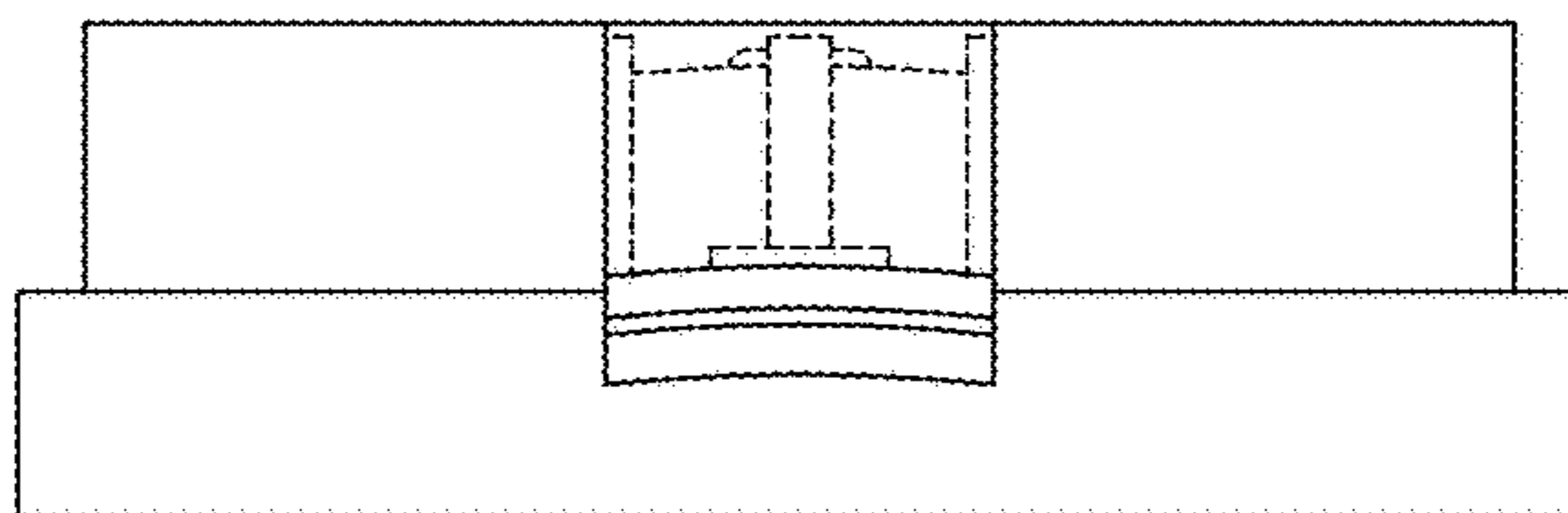


FIG. 11

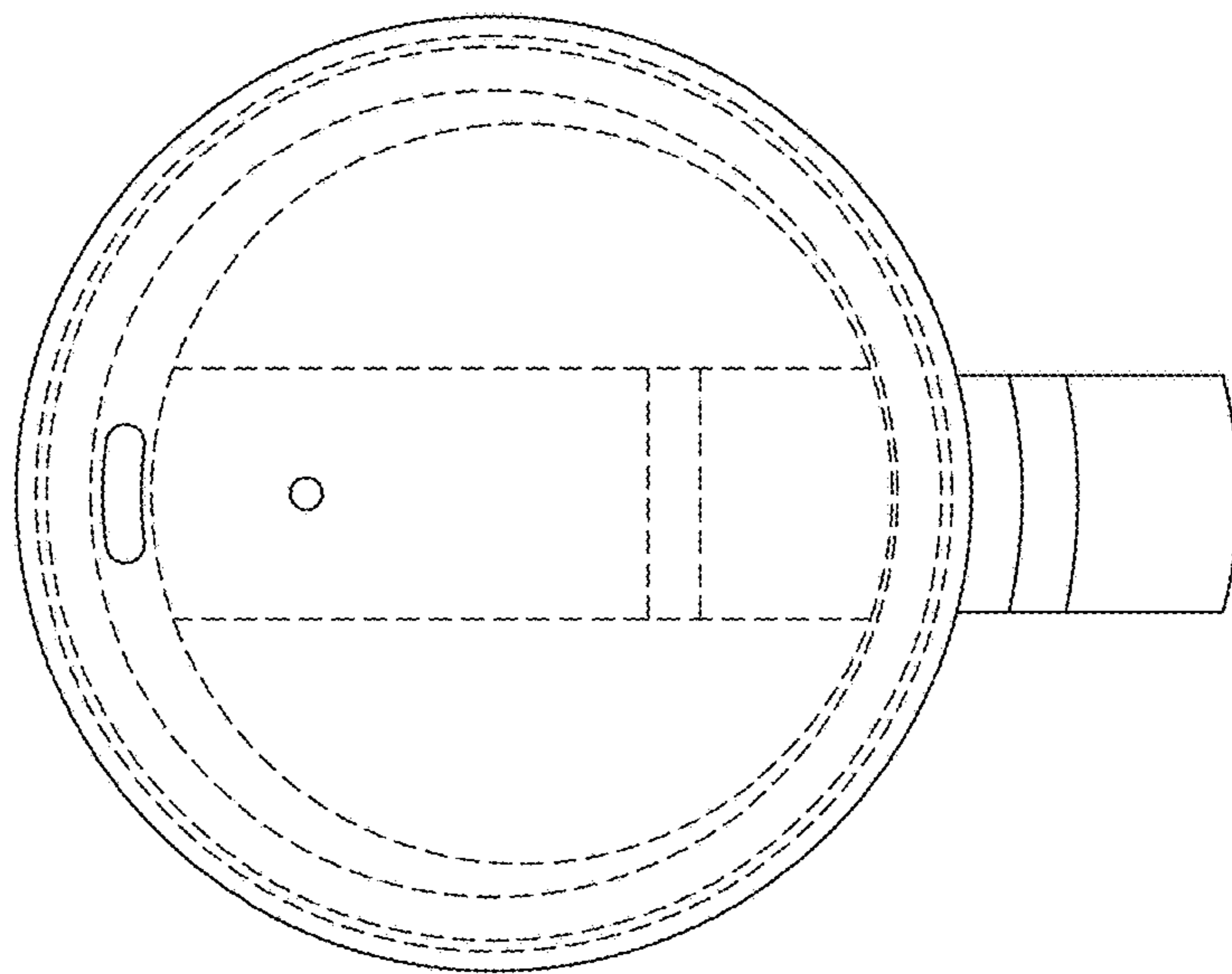


FIG. 12