



US00D863875S

(12) **United States Design Patent**
Bricl

(10) **Patent No.:** **US D863,875 S**

(45) **Date of Patent:** **** Oct. 22, 2019**

(54) **COVER FOR DRINKING CAN**

(71) Applicant: **Joze Bricl**, Trbovlje (SI)

(72) Inventor: **Joze Bricl**, Trbovlje (SI)

(**) Term: **15 Years**

(21) Appl. No.: **29/609,231**

(22) Filed: **Jun. 29, 2017**

(30) **Foreign Application Priority Data**

Mar. 21, 2017 (EM) 003812585-0001

(51) **LOC (12) Cl.** **07-99**

(52) **U.S. Cl.**
USPC **D7/392.1; D7/392**

(58) **Field of Classification Search**
USPC D7/392, 392.1; D9/756, 737, 416, 538,
D9/629, 318, 319, 619.1, 553.6, 553.7,
D9/554.2, 435, 436, 761; D24/105,
D24/176-180, 227

CPC B65D 25/34
See application file for complete search history.

(56) **References Cited**

U.S. PATENT DOCUMENTS

D414,652 S *	10/1999	Lillelund	D7/392
D520,867 S *	5/2006	Chang	D9/415
D530,626 S *	10/2006	Tanja	D9/761
D549,829 S *	8/2007	Jodaikin	D1/100
D647,400 S *	10/2011	Fields	D7/392.1
D665,250 S *	8/2012	Kirk	D9/416
D675,058 S *	1/2013	Lee	D7/392.1
D689,735 S *	9/2013	Redfern	D7/392.1
D715,119 S *	10/2014	Petrossian	D8/33
D727,149 S *	4/2015	Humm	D9/449
D731,239 S *	6/2015	Rothfield	D7/392.1
D751,391 S *	3/2016	Wu	D7/392.1
D754,470 S *	4/2016	Rothfield	D7/392.1
D757,241 S *	5/2016	Agha	D24/105
D758,883 S *	6/2016	Richardson	D9/756

D804,323 S *	12/2017	Harrison	D9/756
D831,415 S *	10/2018	Hansen	D7/392.1
D835,264 S *	12/2018	Mozzicato	D24/121
2009/0032531 A1 *	2/2009	Navare	B65D 17/4014
				220/254.1
2009/0057189 A1 *	3/2009	Silvenis	A45C 11/24
				206/570
2011/0232423 A1 *	9/2011	Raymond	B65D 51/007
				81/3.09

(Continued)

Primary Examiner — Karen S Acker

Assistant Examiner — Steven B Reinholdt Jr.

(74) *Attorney, Agent, or Firm* — Stuebaker & Brackett
PC

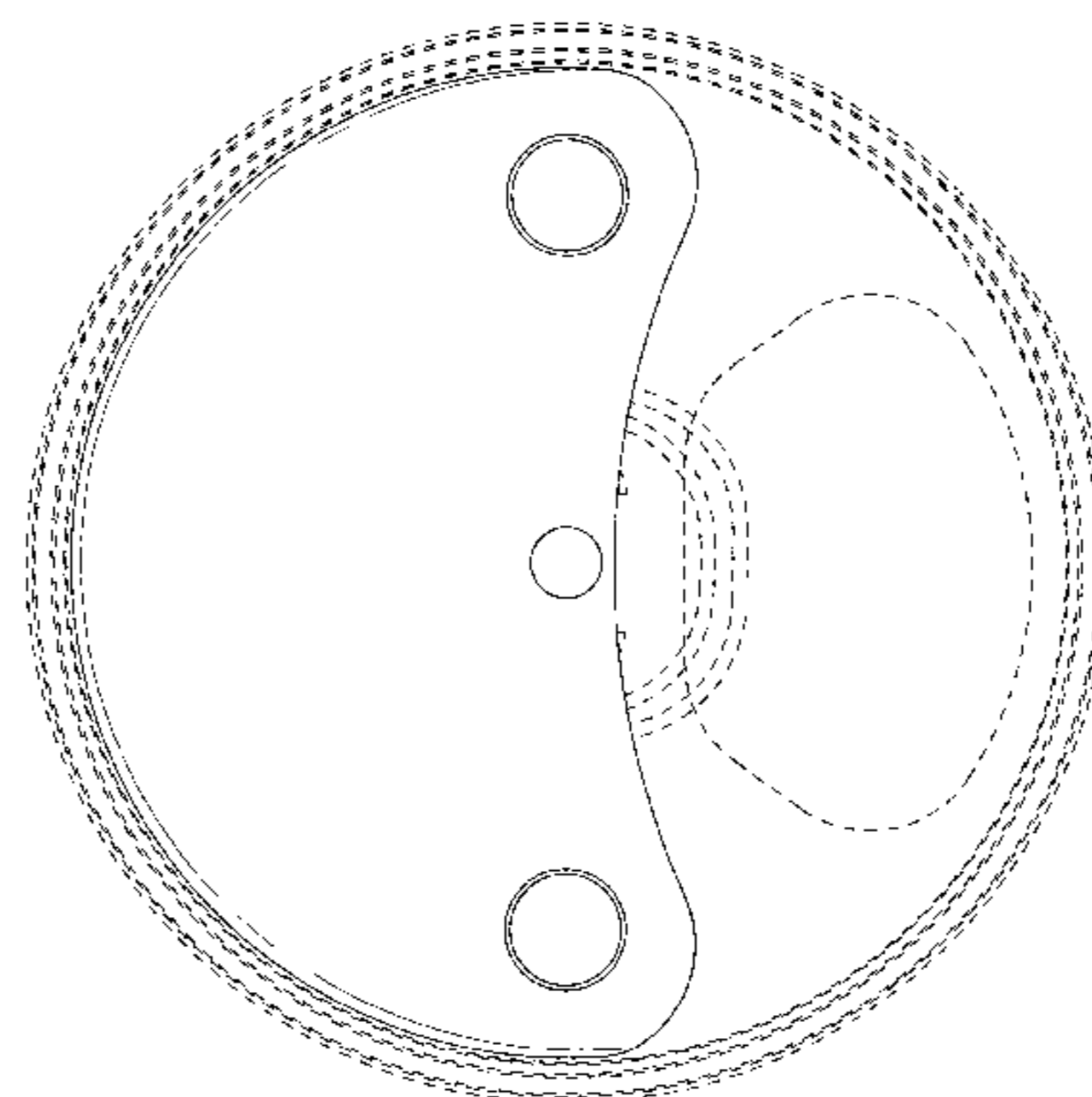
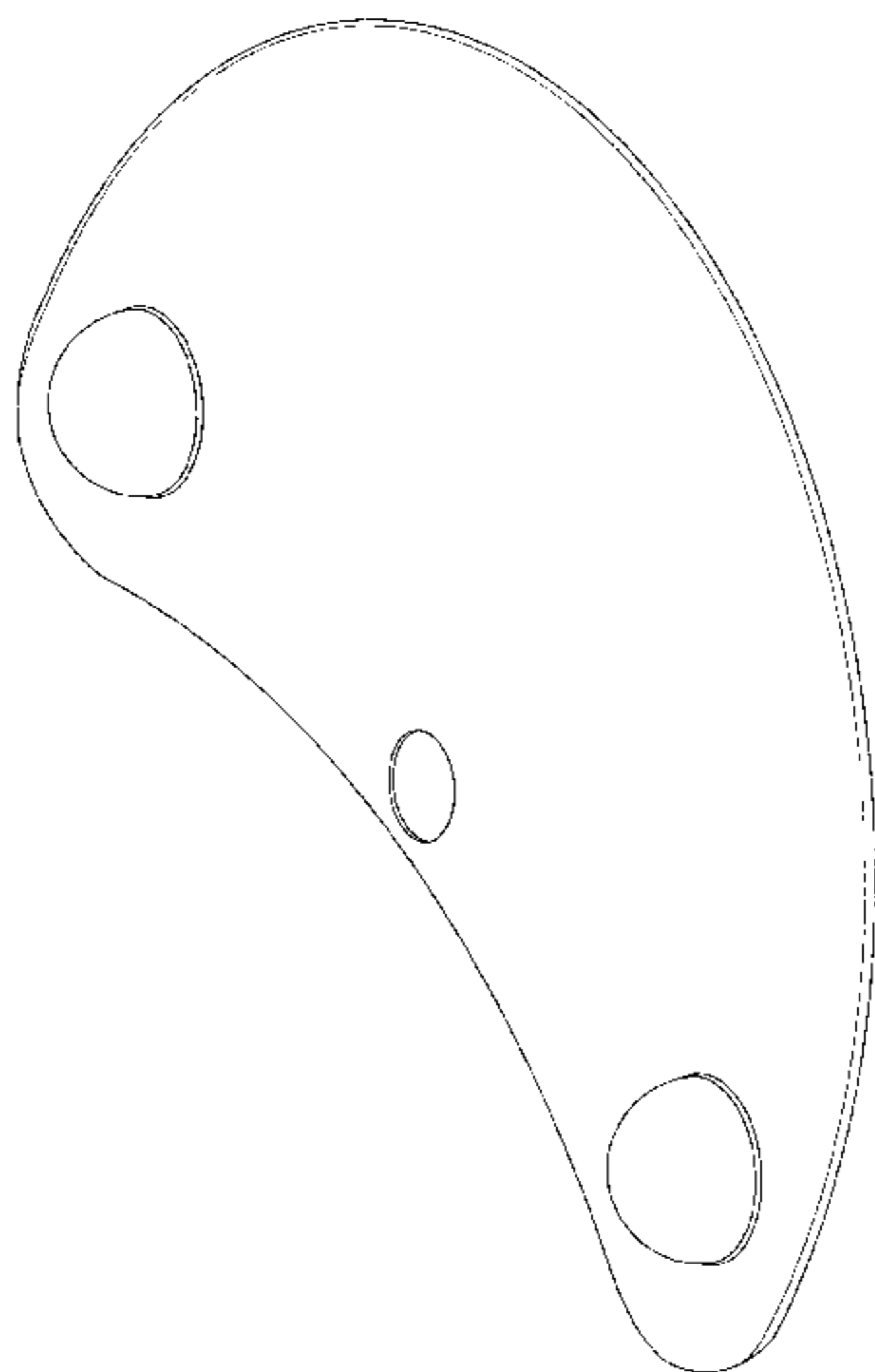
(57) **CLAIM**

The ornamental design for a cover for drinking can, as shown and described.

DESCRIPTION

FIG. 1 is a top perspective view showing my new design for a cover for drinking can,
 FIG. 2 is a top view thereof,
 FIG. 3 is a bottom view thereof,
 FIG. 4 is a bottom perspective view thereof,
 FIG. 5 is a bottom perspective view thereof,
 FIG. 6 is a bottom perspective view thereof,
 FIG. 7 is a right side view thereof, the left side view being a mirror image,
 FIG. 8 is a front view thereof, the rear view being a mirror image,
 FIG. 9 is a top view of the cover for drinking can of FIG. 1 in an open position illustrated with an unclaimed drinking can; and,
 FIG. 10 is a top view thereof shown in a closed position.
 The broken lines in FIGS. 3-6 depict portions of the cover for drinking can that form no part of the claim. The broken lines in FIGS. 9 and 10 depict environmental subject matter that forms no part of the claimed design.

1 Claim, 10 Drawing Sheets



(56)

References Cited

U.S. PATENT DOCUMENTS

2014/0110409 A1* 4/2014 Gindi B65D 17/4012
220/361
2016/0059988 A1* 3/2016 Kaziev B65D 17/4014
220/269
2018/0127154 A1* 5/2018 Perez B65D 17/4012

* cited by examiner

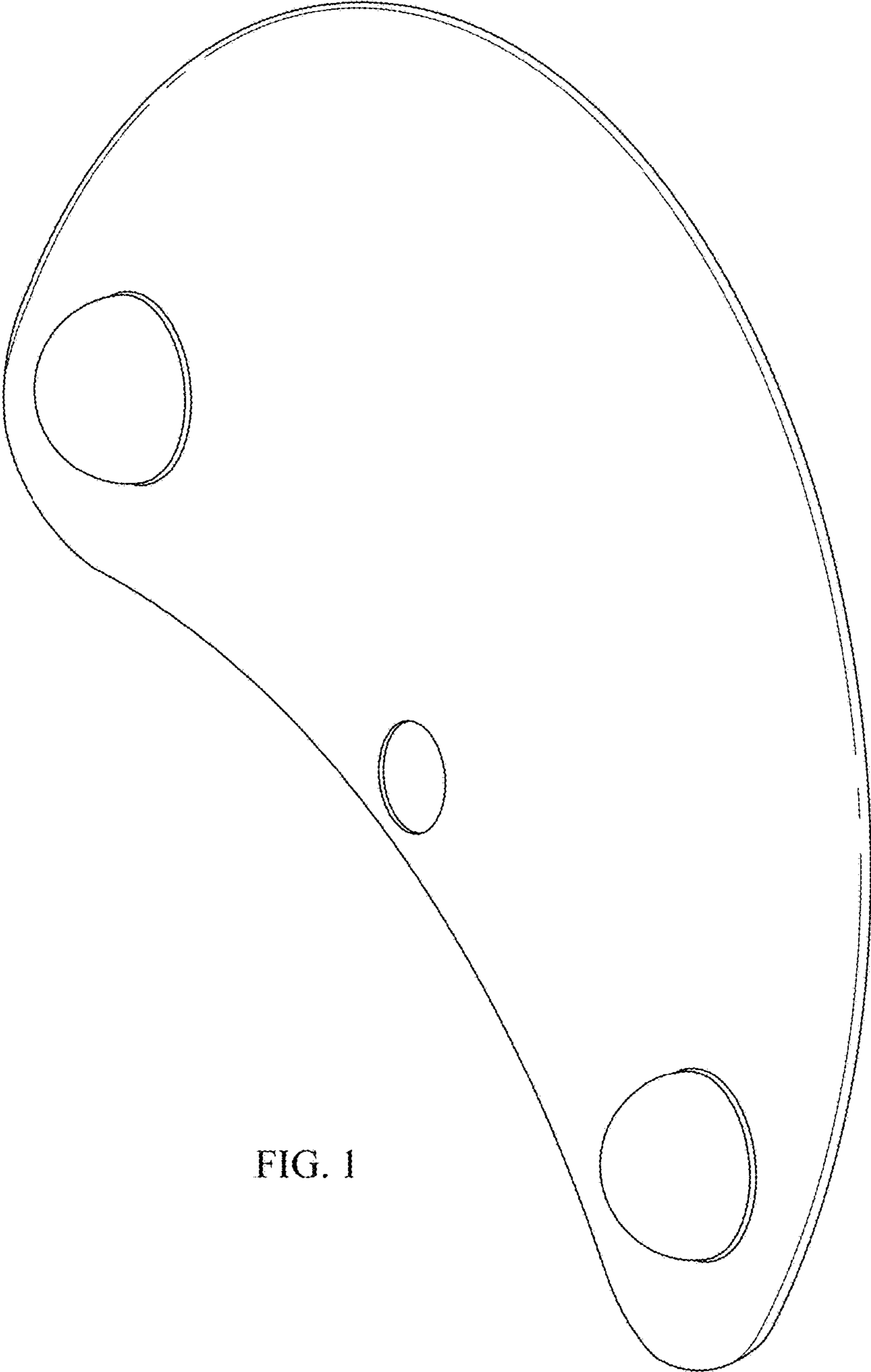


FIG. 1

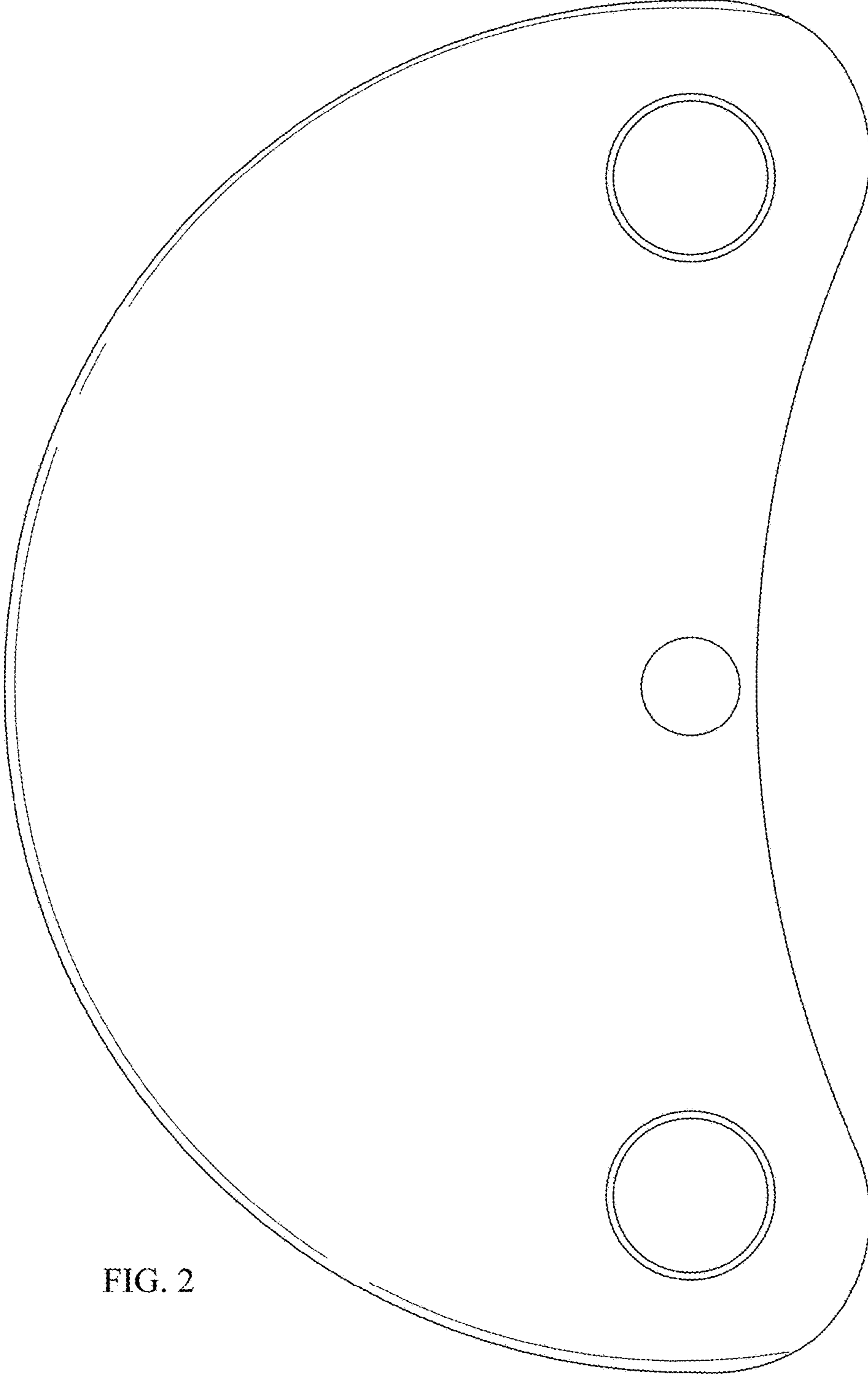


FIG. 2

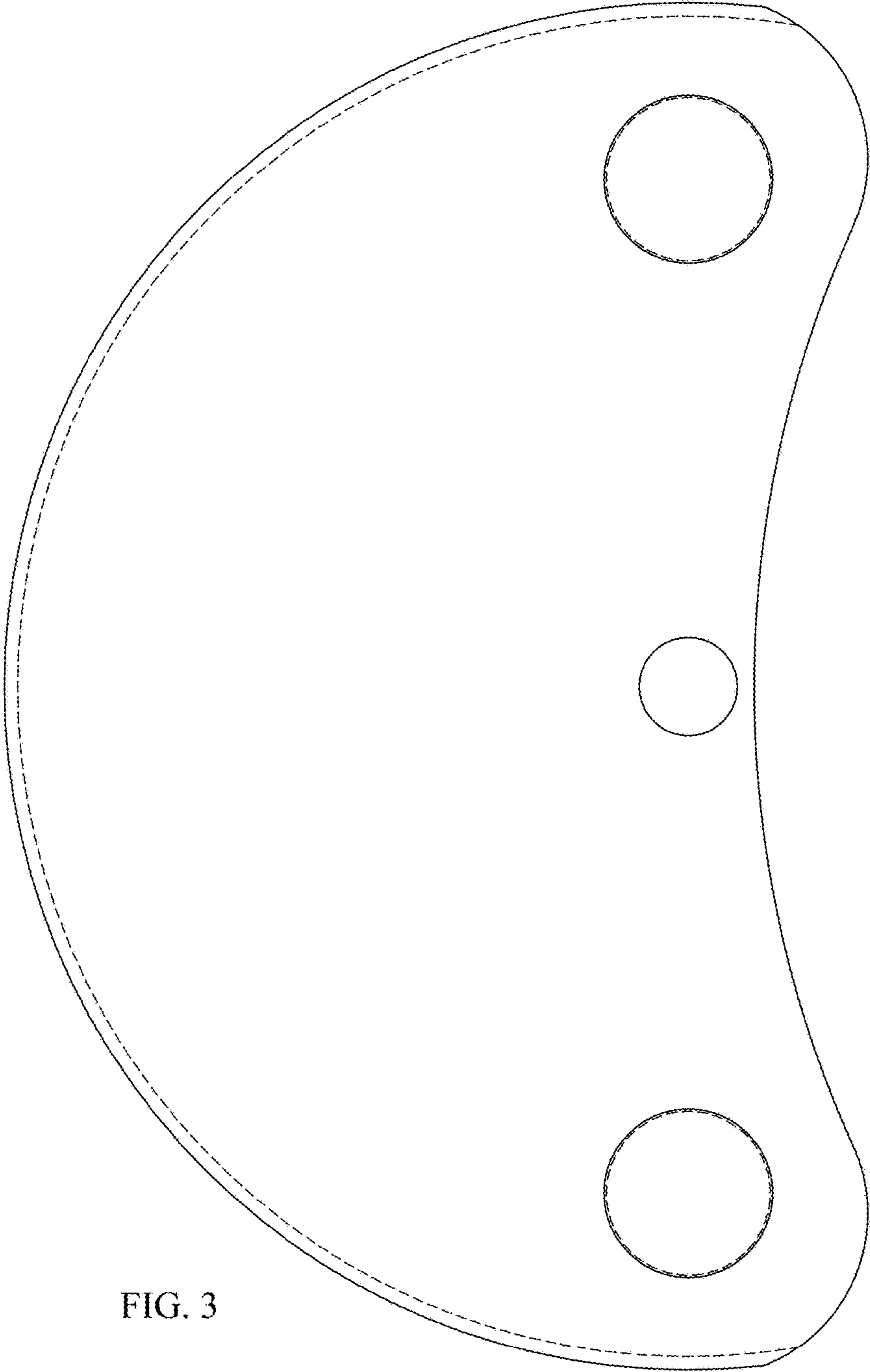


FIG. 3

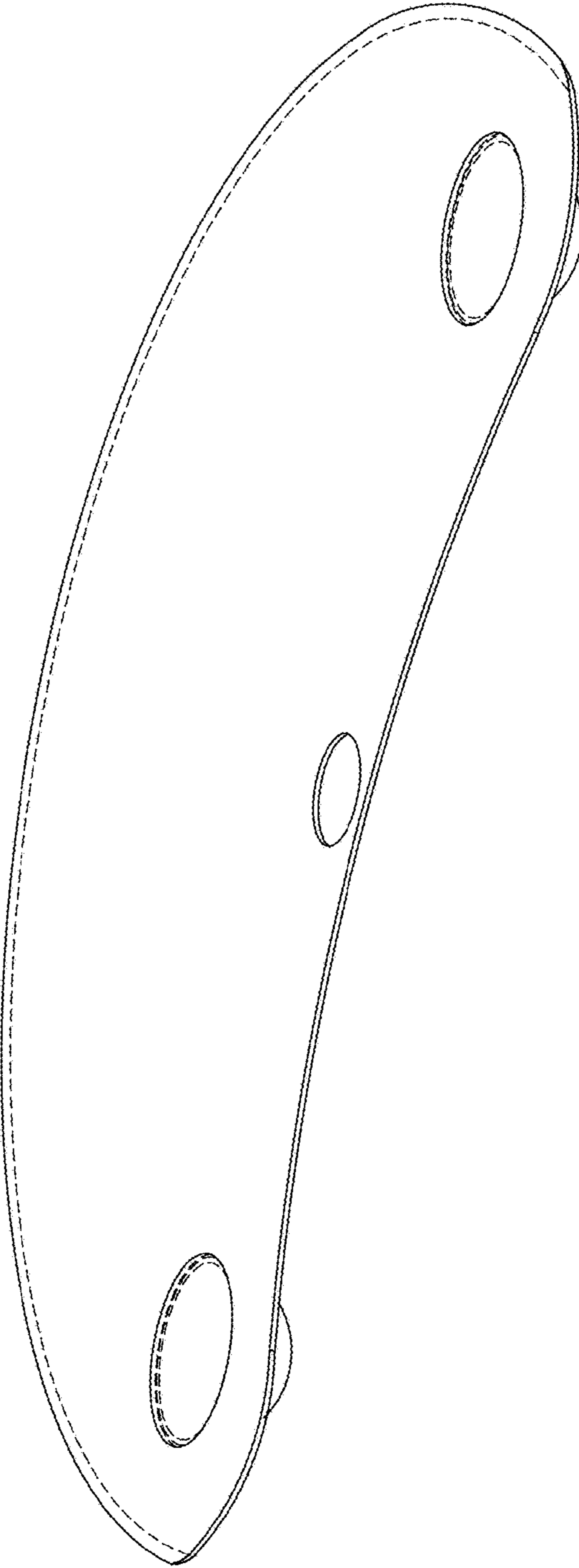


FIG. 4

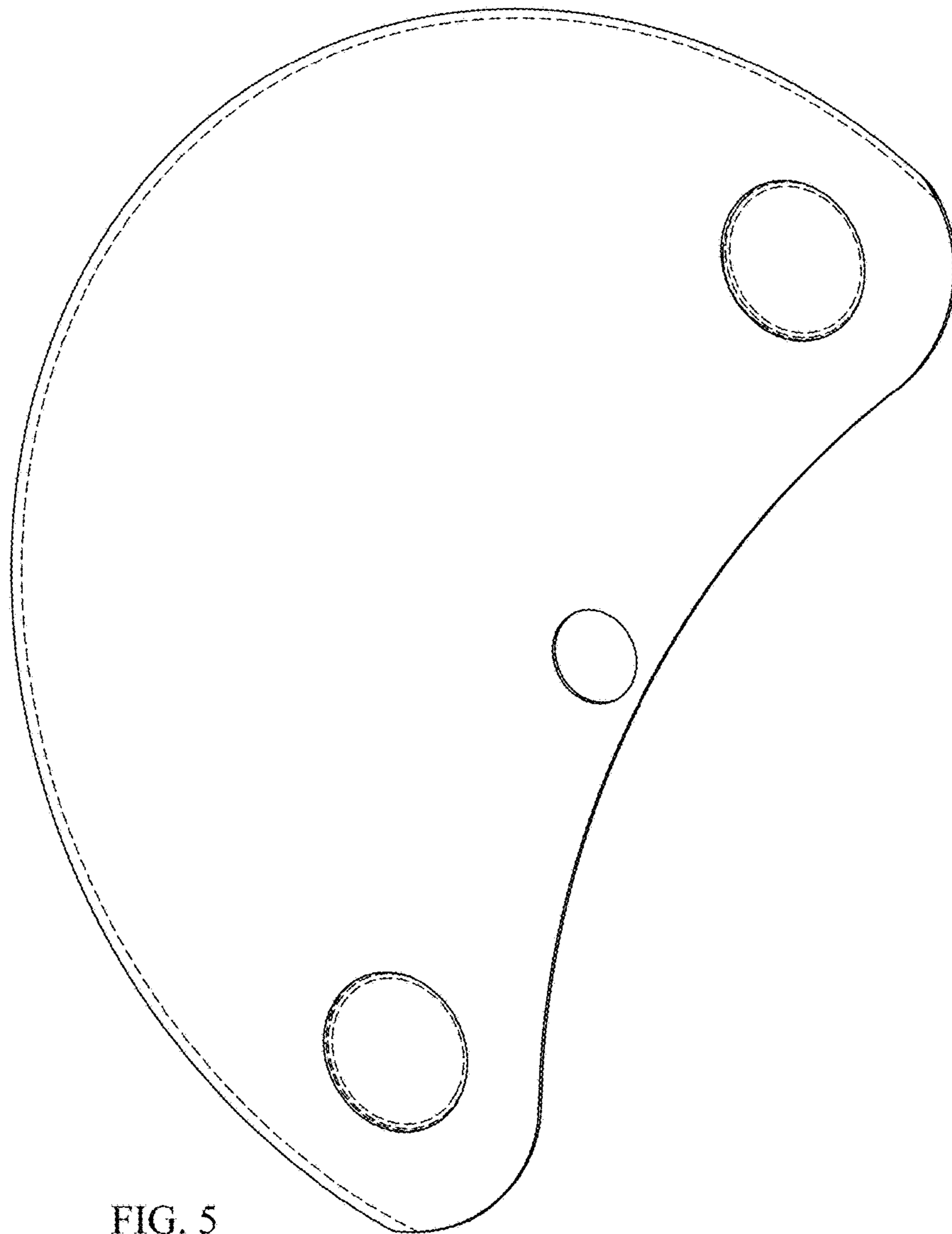


FIG. 5

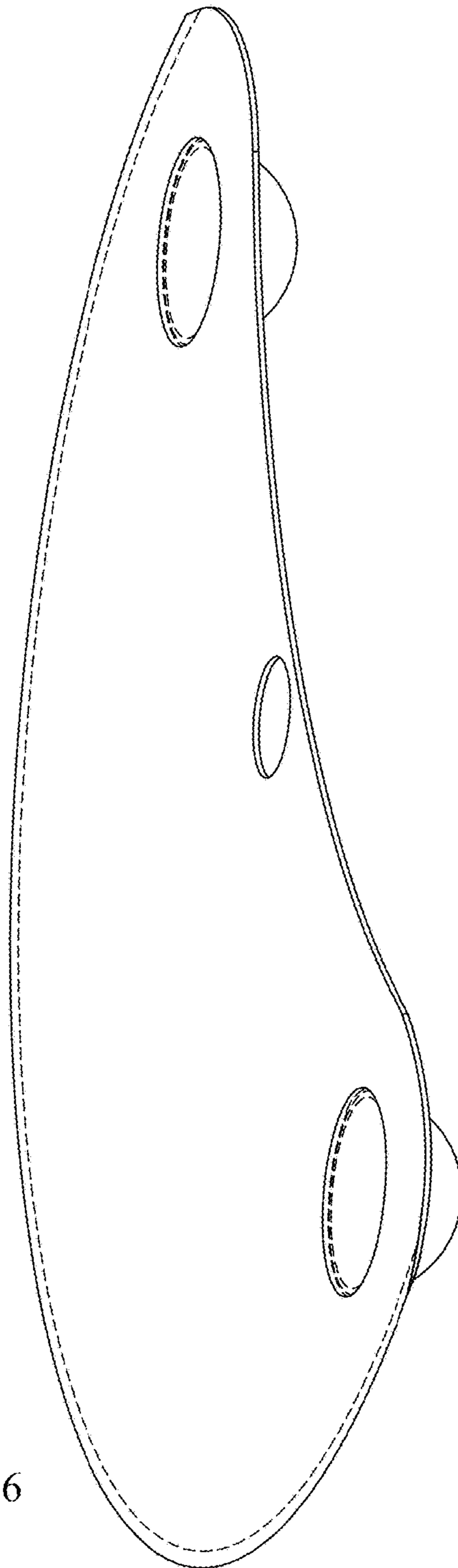


FIG. 6



FIG. 7



FIG. 8

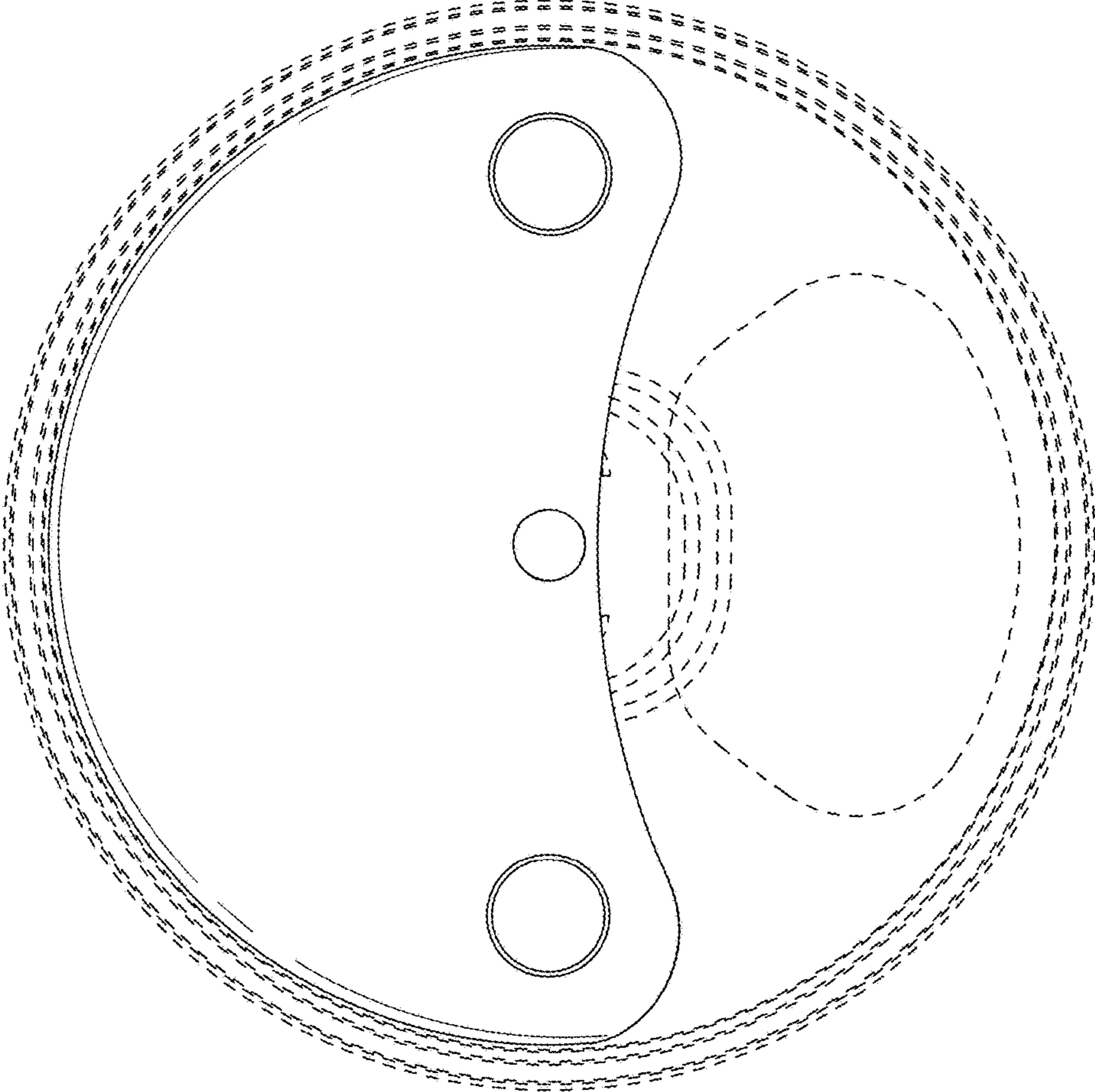


FIG. 9

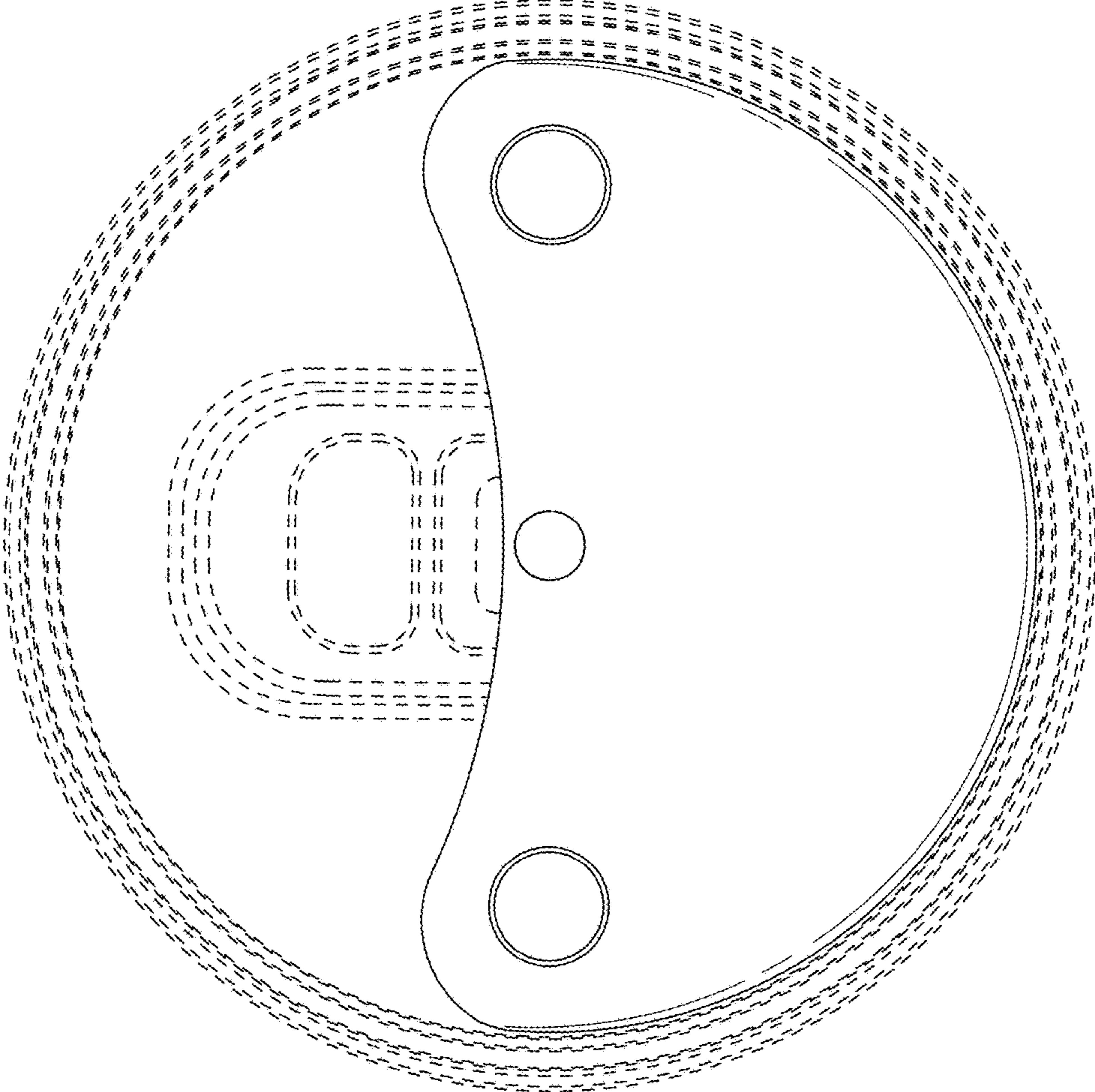


FIG. 10