

US00D863873S

(12) **United States Design Patent** (10) **Patent No.:** **US D863,873 S**  
**Kettavong et al.** (45) **Date of Patent:** **\*\* Oct. 22, 2019**

(54) **FOOD PROCESSOR CONTAINER**  
(71) Applicant: **VITA-MIX MANAGEMENT CORPORATION**, Olmsted Township, OH (US)  
(72) Inventors: **Phonesacksith Guy Kettavong**, Medina, OH (US); **Fred H. Mehlman**, Brunswick, OH (US); **Rebecca Hammond**, Olmsted Township, OH (US); **David Kolar**, Stow, OH (US)  
(73) Assignee: **VITA-MIX MANAGEMENT CORPORATION**, Olmsted Township, OH (US)  
(\*\*) Term: **15 Years**  
(21) Appl. No.: **29/639,909**  
(22) Filed: **Mar. 9, 2018**  
(51) **LOC (12) Cl.** ..... **31-00**  
(52) **U.S. Cl.**  
USPC ..... **D7/384**; D7/376; D7/378; D7/412; D7/413  
(58) **Field of Classification Search**  
USPC ..... D7/372, 376-386, 412-413, 533, 602, D7/629, 665-666, 669, 679, 693-694  
(Continued)

(56) **References Cited**  
**U.S. PATENT DOCUMENTS**  
2,372,862 A 4/1945 Strauss et al.  
D227,535 S 7/1973 Grimes  
(Continued)  
**FOREIGN PATENT DOCUMENTS**  
CH 172686 10/1934  
EP 0963726 12/1999  
(Continued)

*Primary Examiner* — Ricky Pham  
(74) *Attorney, Agent, or Firm* — McDonald Hopkins LLC

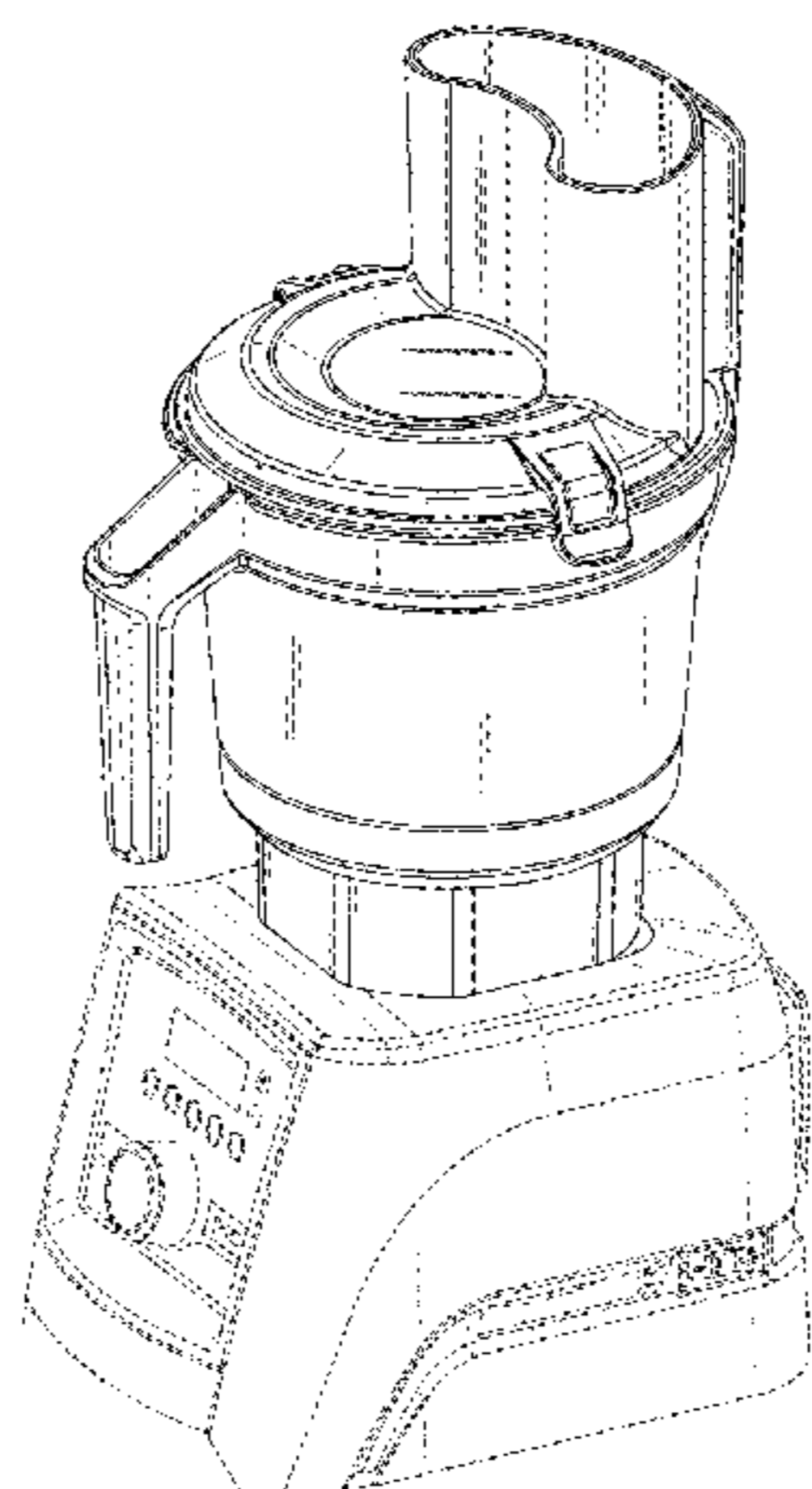
(57) **CLAIM**

The ornamental design for a food processor container, as shown and described.

**DESCRIPTION**

FIG. 1 is a perspective view of a food processor container showing our new design;  
FIG. 2 is a front side view thereof;  
FIG. 3 is a back side view thereof;  
FIG. 4 is a first side view thereof;  
FIG. 5 is a second side view thereof;  
FIG. 6 is a top view thereof;  
FIG. 7 is a bottom view thereof;  
FIG. 8 is a perspective view of a container base showing our new design;  
FIG. 9 is a front side view thereof;  
FIG. 10 is a back side view thereof;  
FIG. 11 is a first side view thereof;  
FIG. 12 is a second side view thereof;  
FIG. 13 is a top view thereof;  
FIG. 14 is a bottom view thereof;  
FIG. 15 is a perspective view of a container body showing our new design;  
FIG. 16 is a front side view thereof;  
FIG. 17 is a back side view thereof;  
FIG. 18 is a first side view thereof;  
FIG. 19 is a second side view thereof;  
FIG. 20 is a top view thereof;  
FIG. 21 is a bottom view thereof;  
FIG. 22 is a perspective view of a lid showing our new design;  
FIG. 23 is a front side view thereof;  
FIG. 24 is a back side view thereof;  
FIG. 25 is a first side view thereof;  
FIG. 26 is a second side view thereof;  
FIG. 27 is a top view thereof; and,  
FIG. 28 is a bottom view thereof.

(Continued)



The broken lines in the figures are included for the purpose of illustrating portions of a blender base, food processor container, or component thereof and form no part of the claimed design.

**1 Claim, 28 Drawing Sheets**

(58) **Field of Classification Search**

CPC .... A21C 1/02; A21C 1/04; A23N 1/00; A23N 1/02; A47J 43/04; A47J 43/25; A47J 43/27; A47J 43/042; A47J 43/044; A47J 43/046; A47J 43/075; A47J 43/0722; A47J 43/0727; B01F 3/00; B01F 3/0807; B01F 3/0853; B01F 13/0059; B01F 13/0064; B02C 1/08; B02C 2/04; B02C 4/42; B02C 4/142; B02C 4/143; B02C 4/423; B02C 13/1835; B28C 5/10; B28C 5/12; B28C 5/14; B28C 5/16

See application file for complete search history.

(56) **References Cited**

U.S. PATENT DOCUMENTS

4,561,782	A	12/1985	Jacobsen et al.
4,655,373	A	4/1987	Essen
4,664,530	A	5/1987	Kurome et al.
D295,012	S	4/1988	Gelber
4,822,175	A	4/1989	Barnard et al.
4,891,966	A	1/1990	Kramer
D305,973	S	2/1990	Barnard et al.
D309,077	S	7/1990	Pomroy
D309,399	S	7/1990	Barnard et al.
D321,647	S	11/1991	Oldorf
D336,590	S	6/1993	Barnard
5,275,307	A	1/1994	Freese
D345,488	S	3/1994	Barnard et al.
5,323,973	A	6/1994	Ferrara, Jr.
D366,418	S	1/1996	Lown et al.
5,533,797	A	7/1996	Gelber
D374,590	S	10/1996	Ahern, Jr.
5,678,718	A	10/1997	Morris et al.
5,696,358	A	12/1997	Pfordresher
5,803,598	A	9/1998	Harry et al.
5,901,906	A	5/1999	Bouldin
D412,809	S	8/1999	Toro et al.
5,957,333	A	9/1999	Losenno et al.
5,957,577	A	9/1999	Dickson et al.
5,962,060	A	10/1999	Farrell
6,059,445	A	5/2000	St. John et al.
D429,956	S	8/2000	Bohannon, Jr. et al.
6,102,246	A	8/2000	Goulet et al.
D419,369	S	10/2000	Naft et al.
D432,864	S	10/2000	Kindig et al.
D435,192	S	12/2000	Bohannon, Jr. et al.

D437,731	S	6/2001	Thackray
D452,296	S	12/2001	Egnell et al.
6,431,744	B1	8/2002	Ash et al.
6,531,967	B2	3/2003	Djorup
D480,915	S	10/2003	Kolar et al.
D481,258	S	10/2003	Brady et al.
6,755,305	B2	6/2004	Nance
D495,925	S	9/2004	Ulanski et al.
6,854,876	B2	2/2005	Dickson
D506,393	S	6/2005	Nottingham et al.
6,979,117	B2	12/2005	Dickson, Jr.
D514,868	S	2/2006	Achenbach et al.
7,063,456	B2	6/2006	Miller et al.
D526,839	S	8/2006	Boozer et al.
D528,363	S	9/2006	Ulanski et al.
7,267,478	B2	9/2007	Miller et al.
D552,916	S	10/2007	Bodum
7,341,209	B1	3/2008	Ko
7,350,963	B2	4/2008	Williams et al.
D577,545	S	9/2008	Ulanski
D587,064	S *	2/2009	Mark ..... D7/384
D587,526	S	3/2009	Barnard et al.
D588,406	S	3/2009	Ulanski et al.
D621,656	S *	8/2010	Ulanski ..... D7/378
7,871,195	B2 *	1/2011	Larsen ..... A47J 43/046 366/194
D637,870	S *	5/2011	Bock ..... D7/378
D660,642	S *	5/2012	Boozer ..... D7/376
D662,359	S	6/2012	Boozer et al.
D678,727	S *	3/2013	Kolar ..... D7/533
8,529,120	B2	9/2013	Ulanski et al.
8,555,922	B2	10/2013	Migliore et al.
8,814,011	B2	8/2014	Ulanski et al.
D797,496	S *	9/2017	Gee, II ..... D7/376
D812,963	S *	3/2018	Smith ..... D7/384
D830,115	S *	10/2018	Gee, II ..... D7/386
D832,029	S *	10/2018	Gee, II ..... D7/386
D846,339	S *	4/2019	Smith ..... A47J 43/046 D7/378
D846,352	S *	4/2019	Smith ..... D7/413
2003/0042805	A1	3/2003	Bates et al.
2003/0205148	A1	11/2003	Rubin et al.
2005/0145717	A1	7/2005	Katz et al.
2005/0152215	A1	7/2005	Stuart et al.
2007/0286016	A1	12/2007	Sun
2009/0095322	A1	4/2009	Wakao et al.
2010/0212076	A1	8/2010	Kihs
2010/0229894	A1	9/2010	Nagatani et al.
2015/0265983	A1	9/2015	Fleming et al.

FOREIGN PATENT DOCUMENTS

FR	2696087	4/1994
GB	699947	11/1953
WO	8801199	2/1988
WO	2009000042	12/2008
WO	2011008234	1/2011

\* cited by examiner



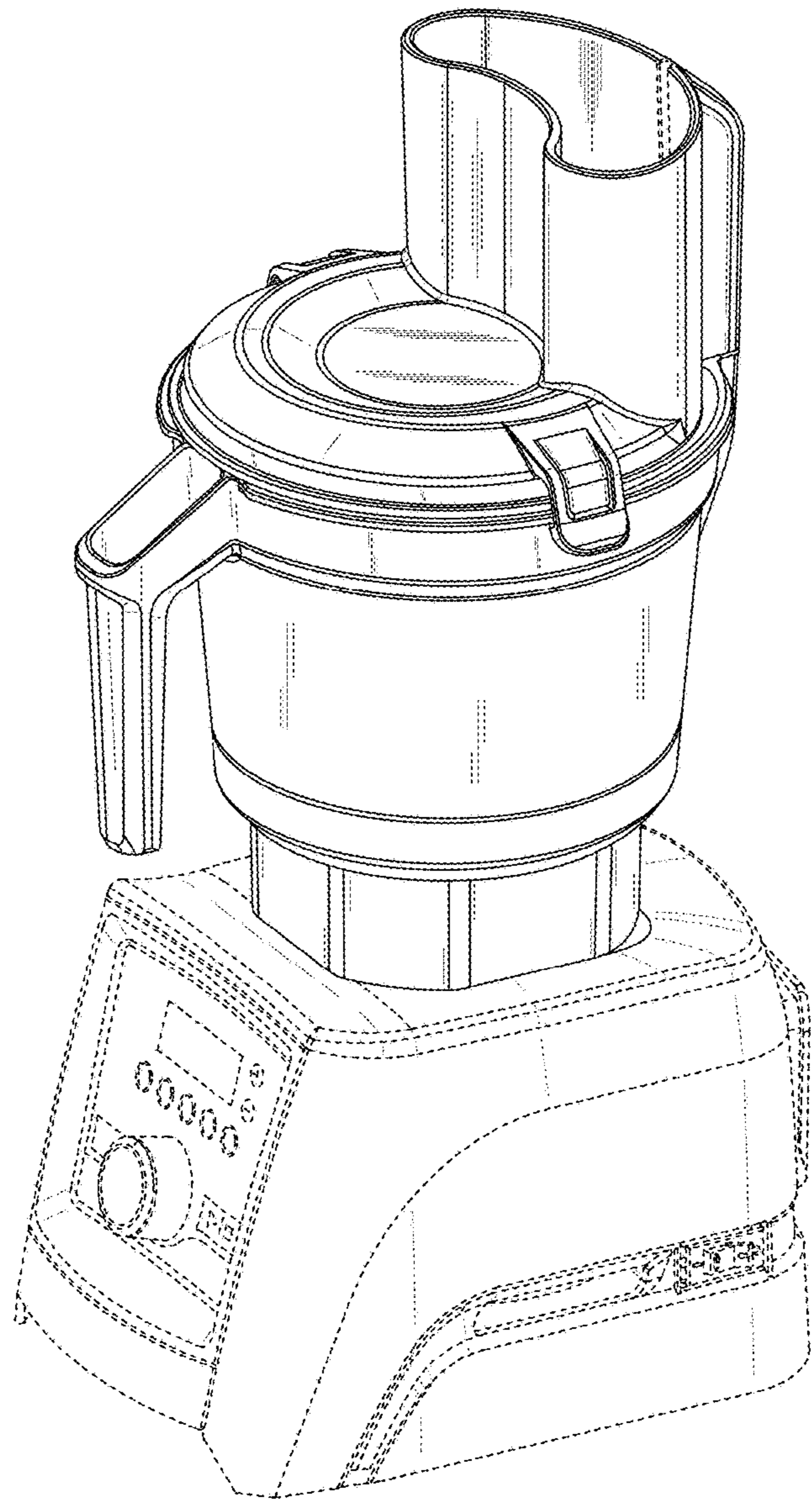


FIG. 1

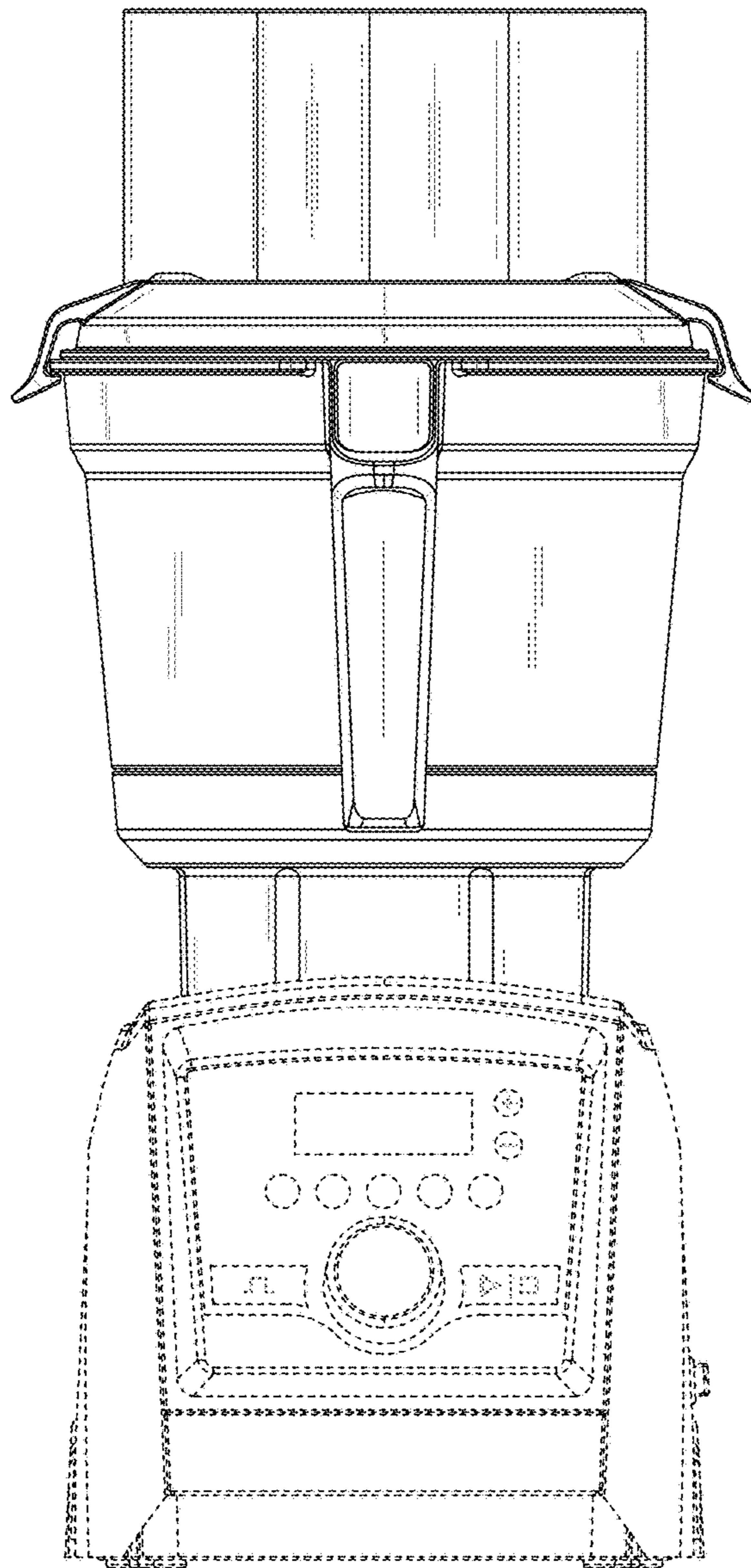


FIG. 2

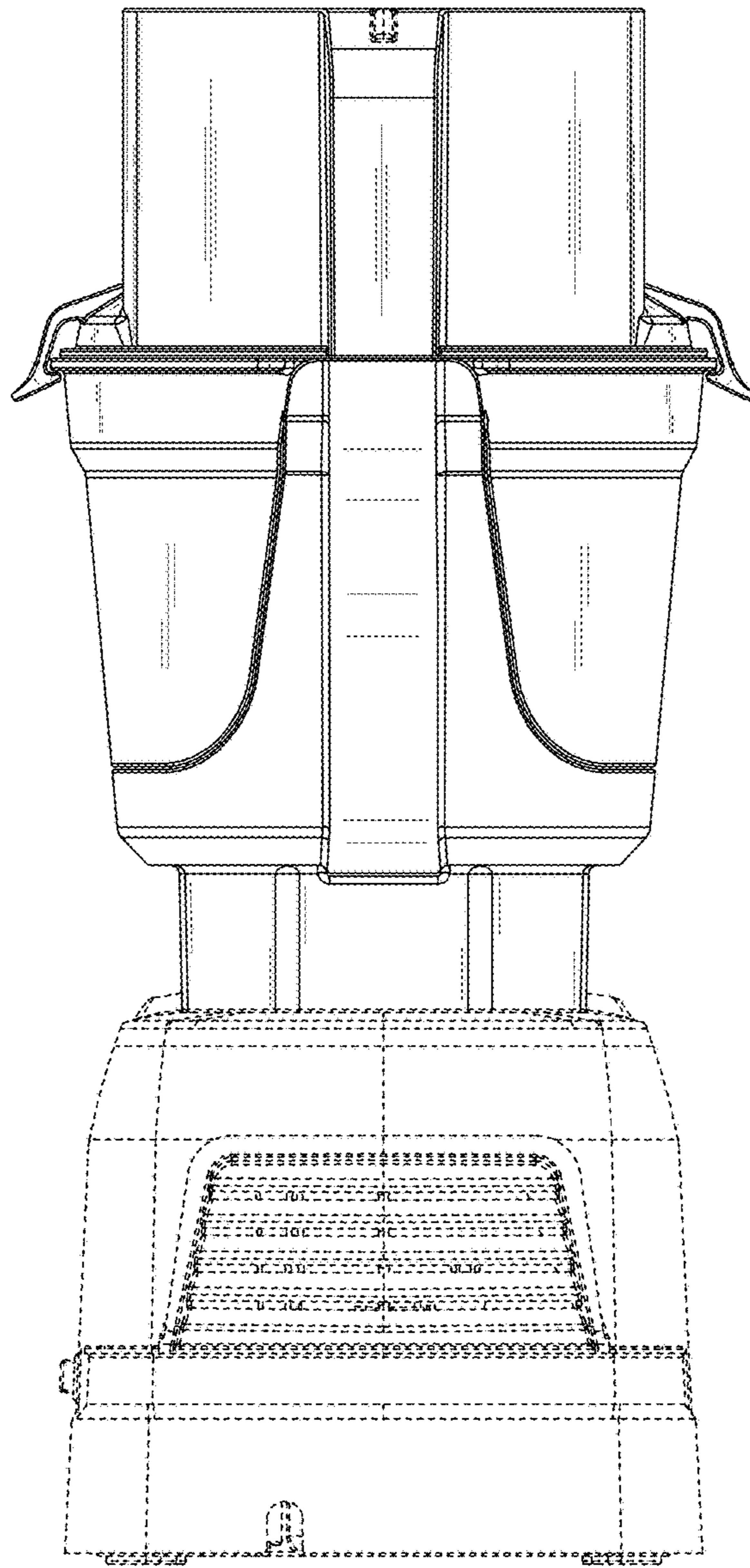


FIG. 3

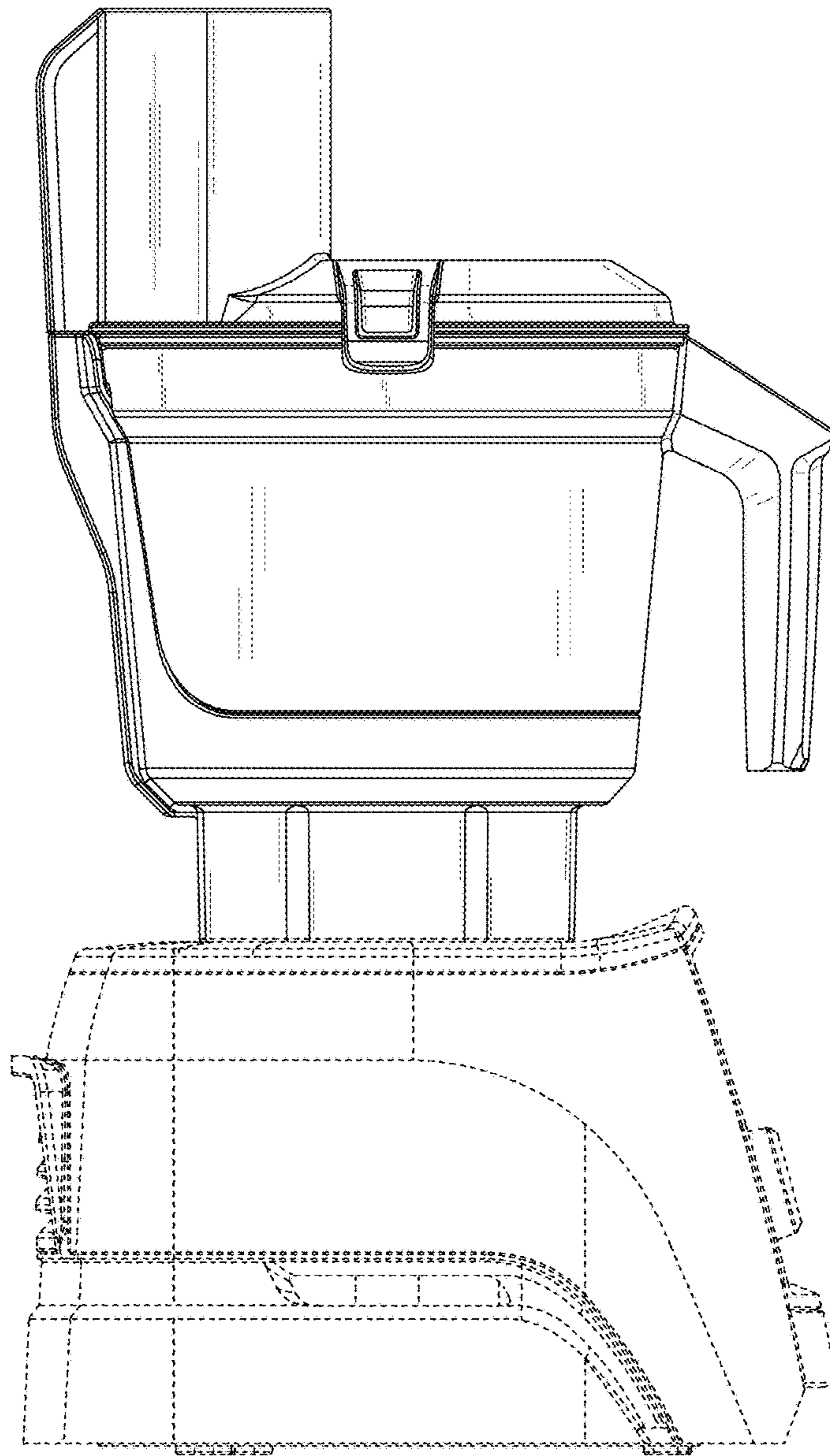


FIG. 4

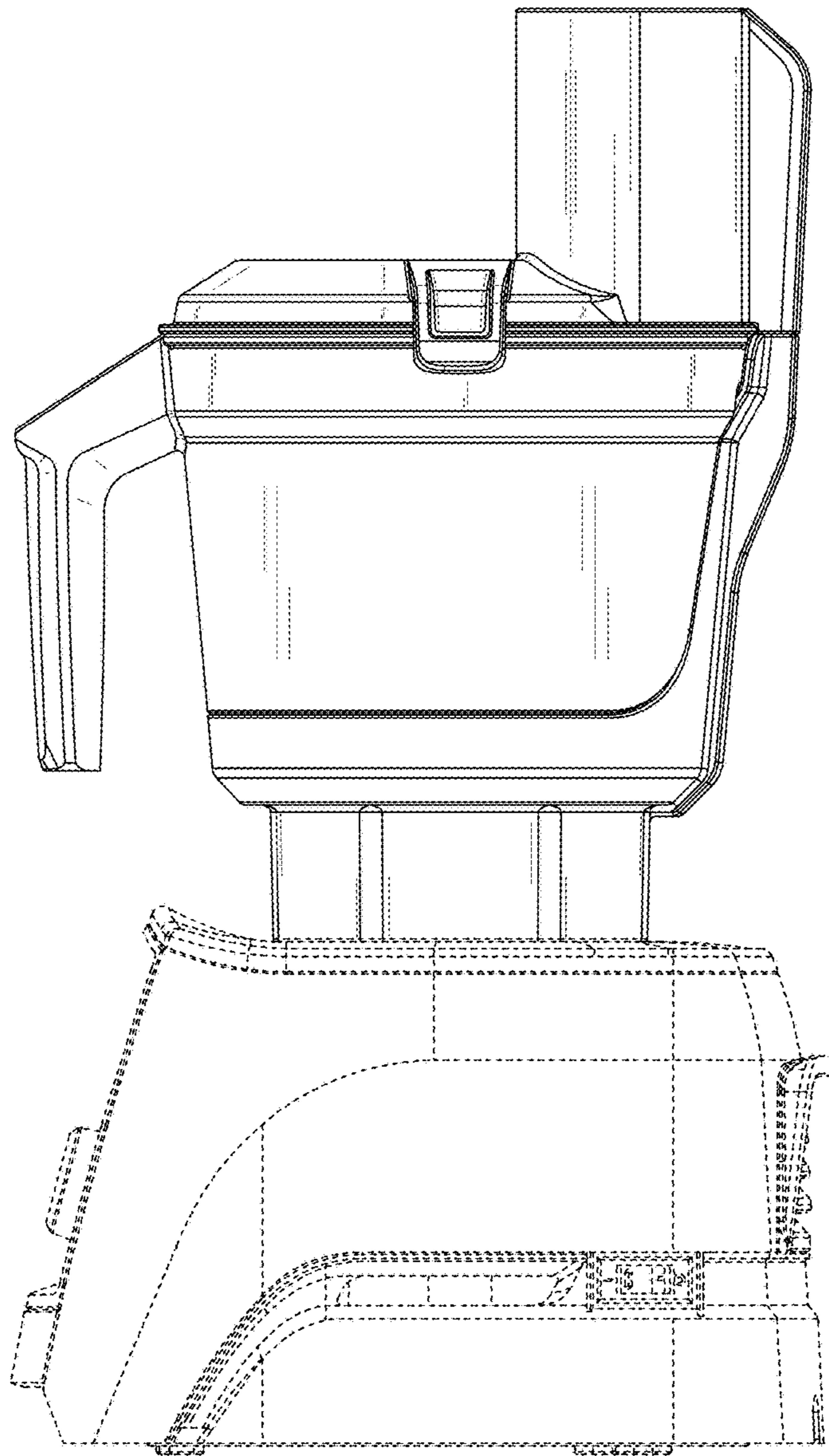


FIG. 5



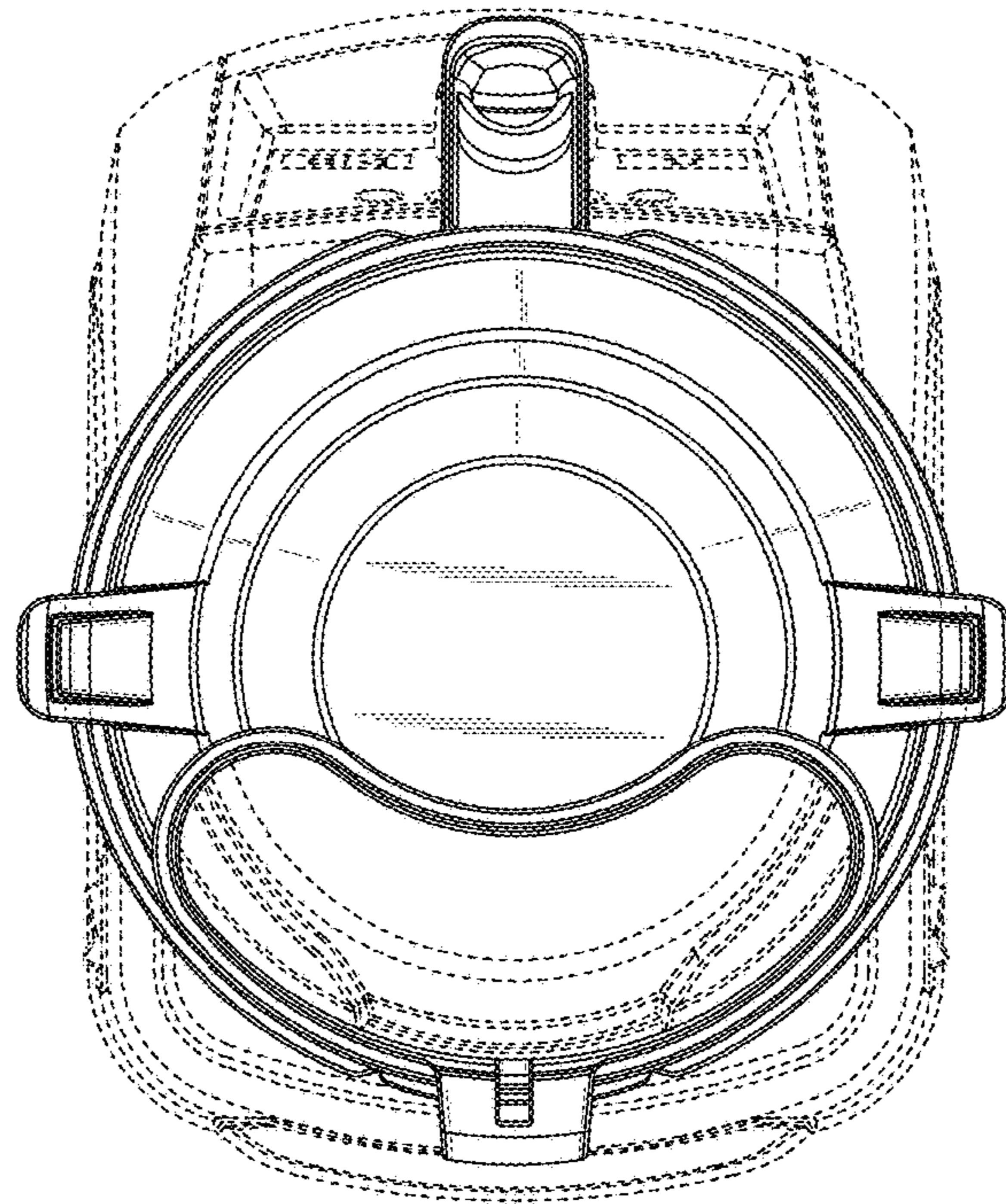


FIG. 6



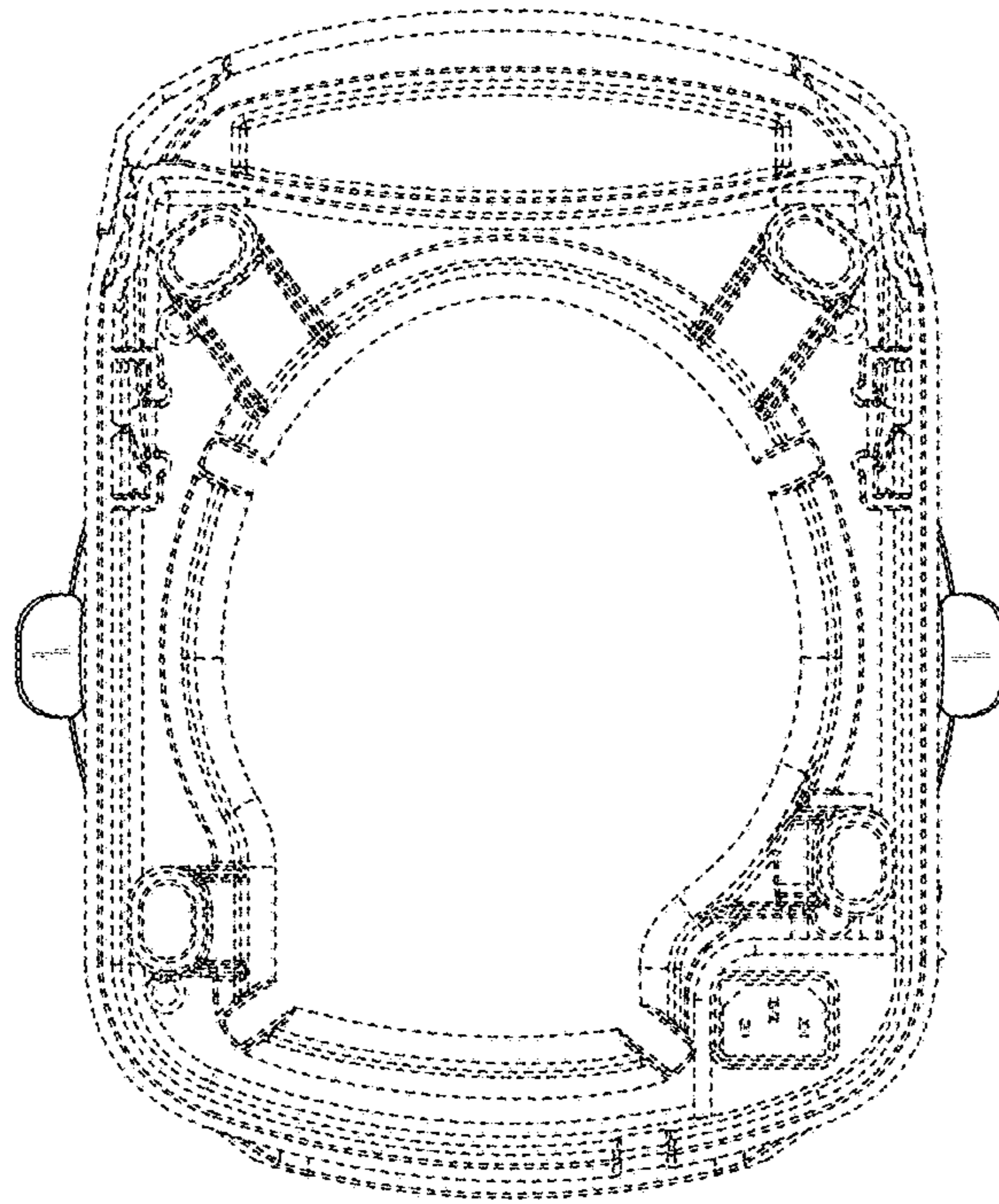


FIG. 7

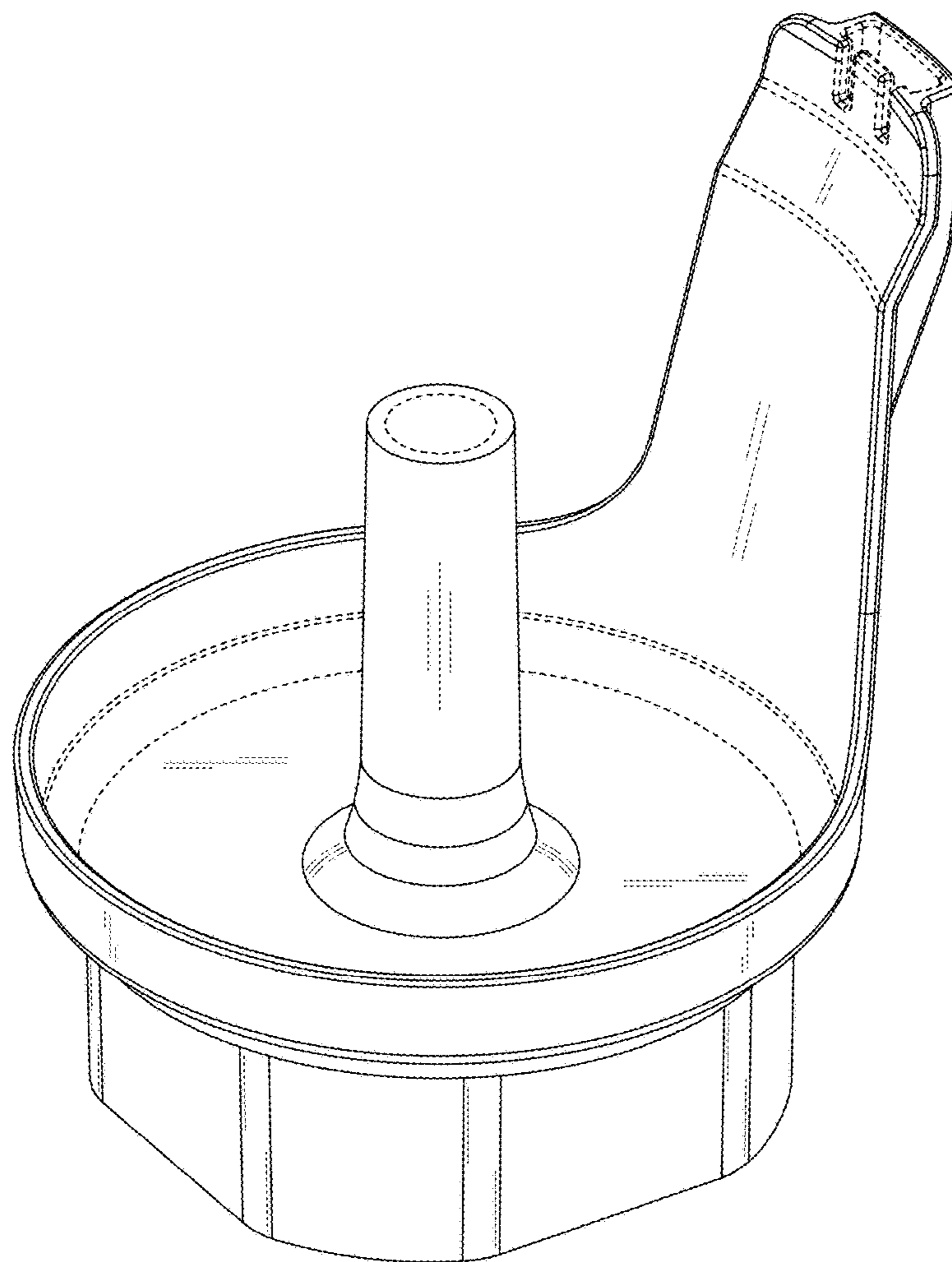


FIG. 8

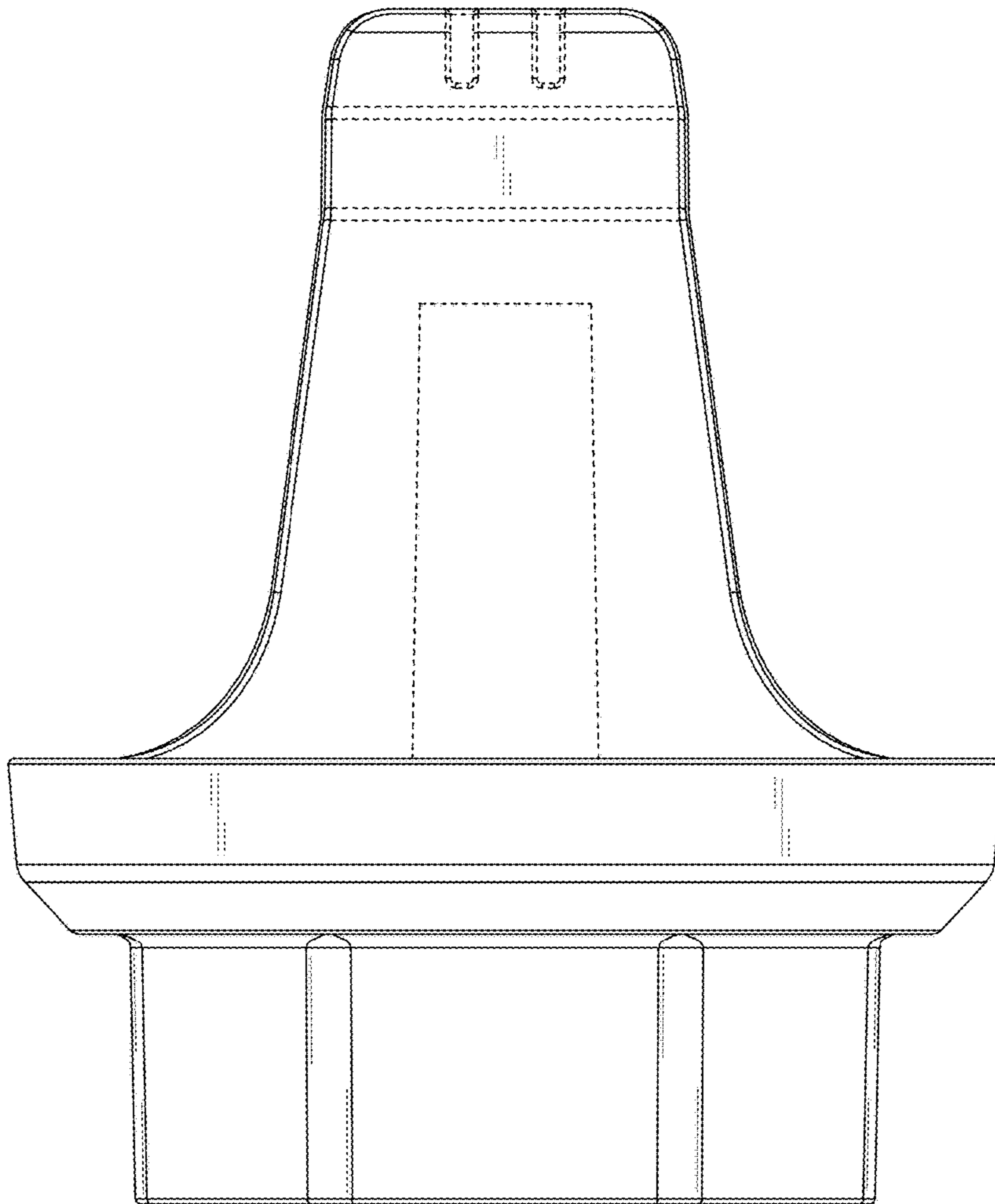


FIG. 9

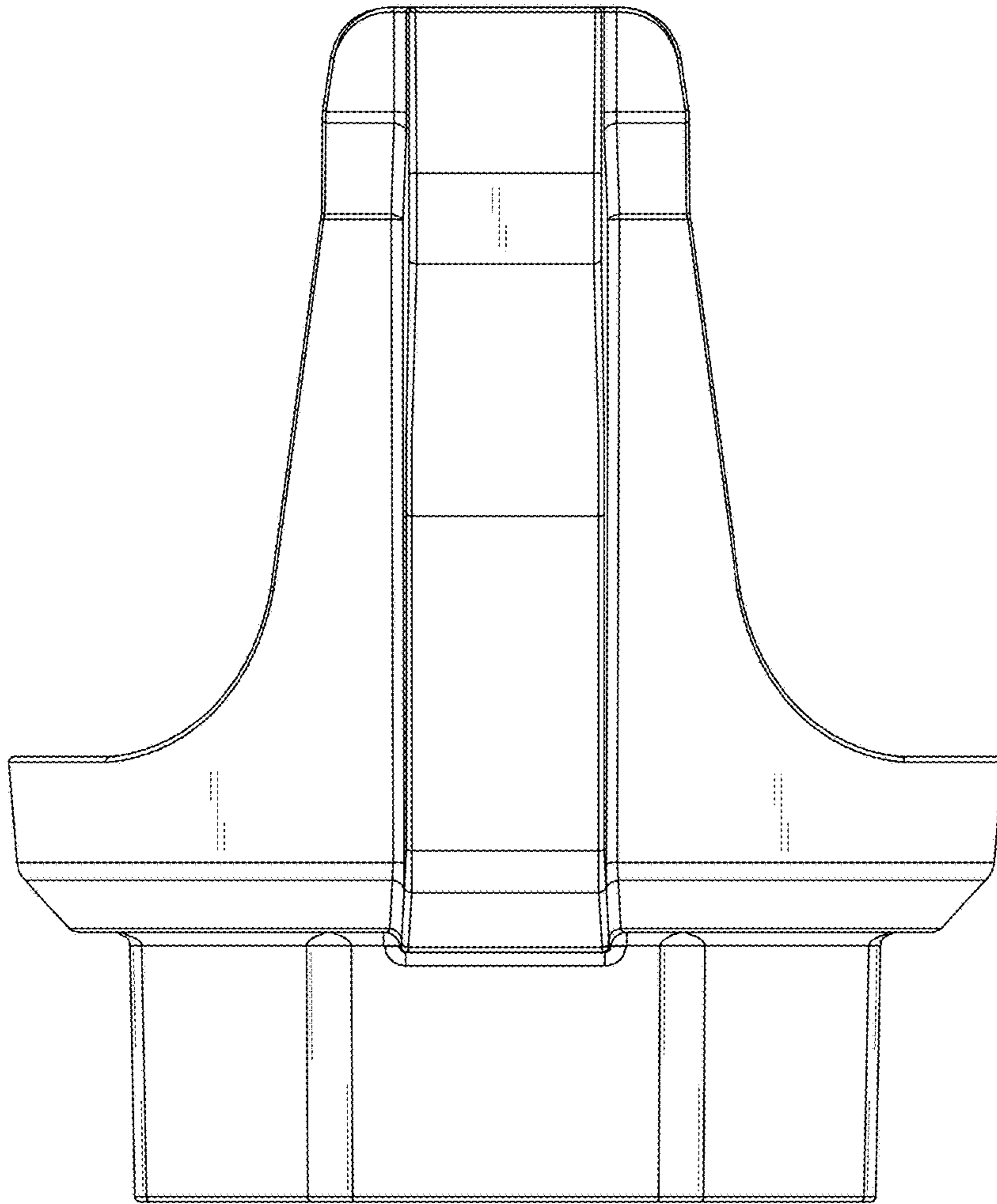


FIG. 10



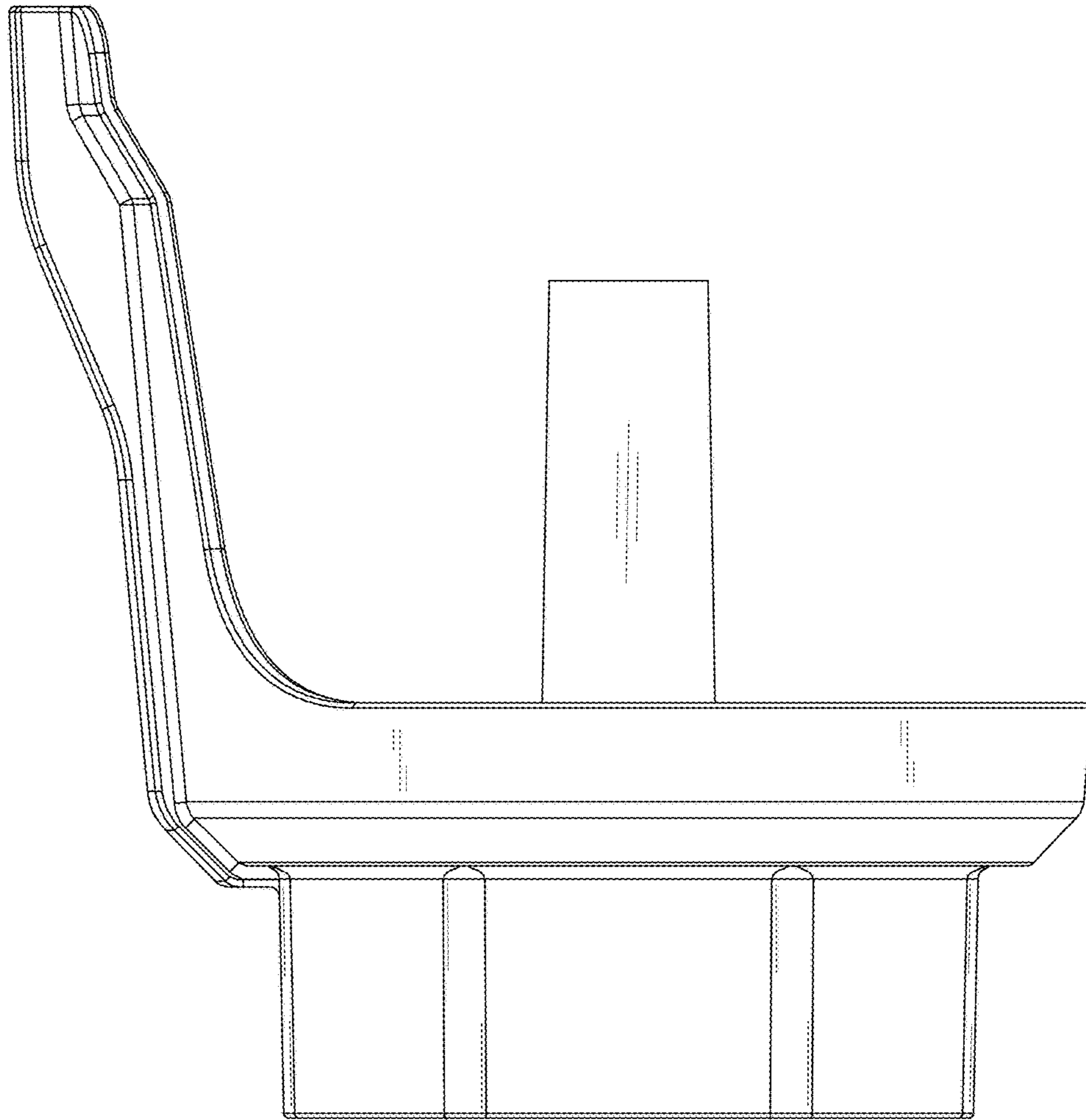


FIG. 11

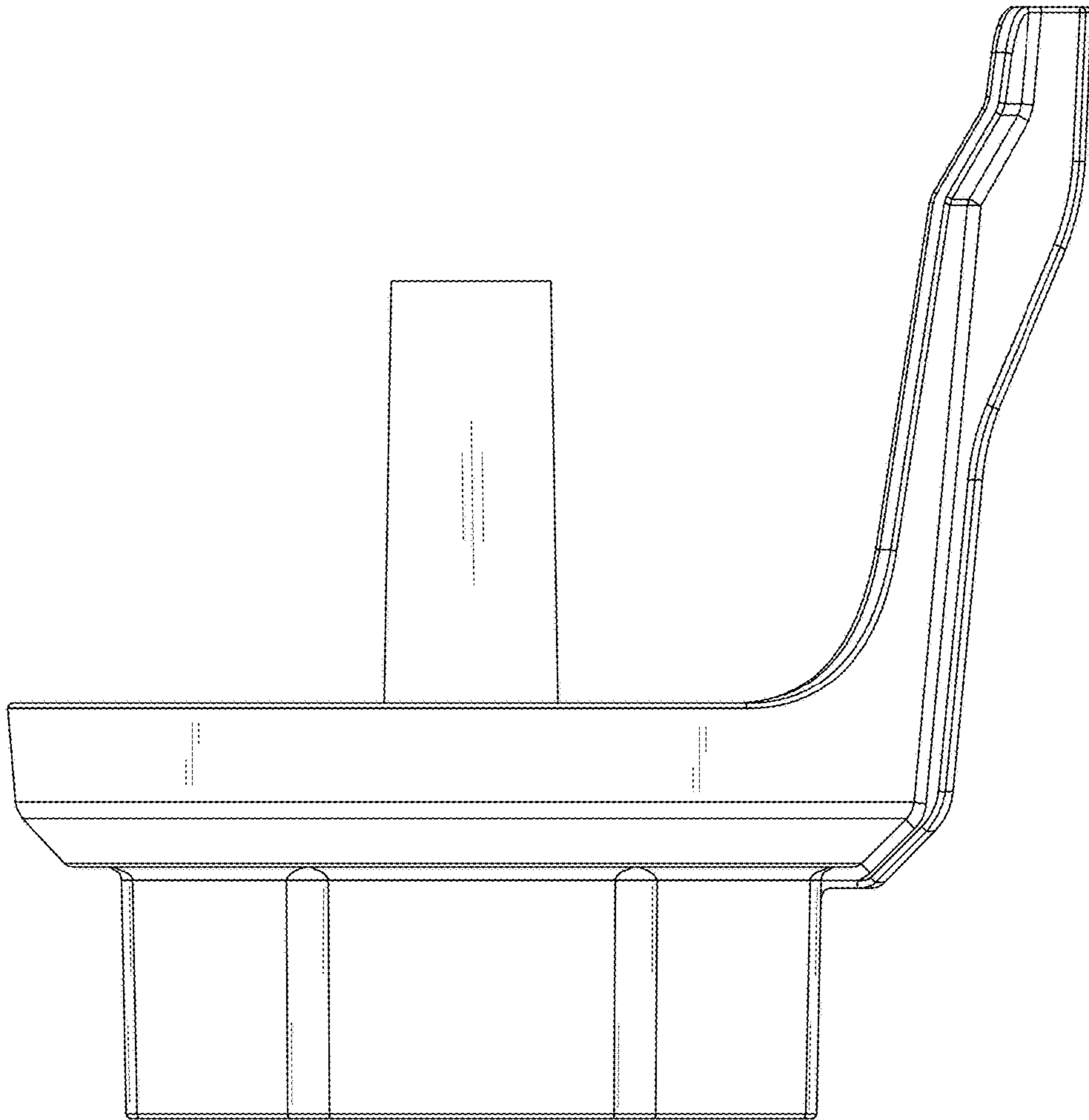


FIG. 12

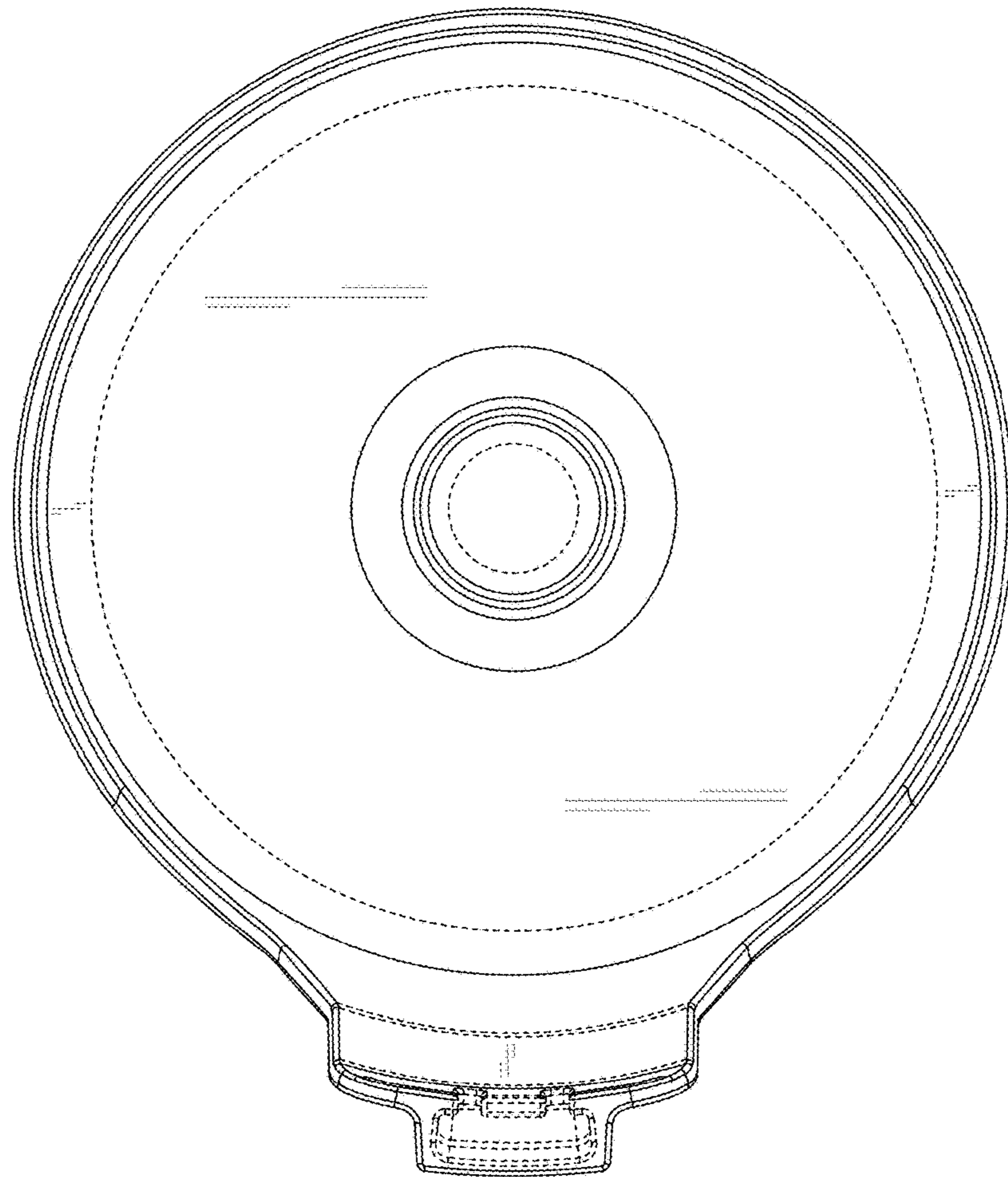


FIG. 13

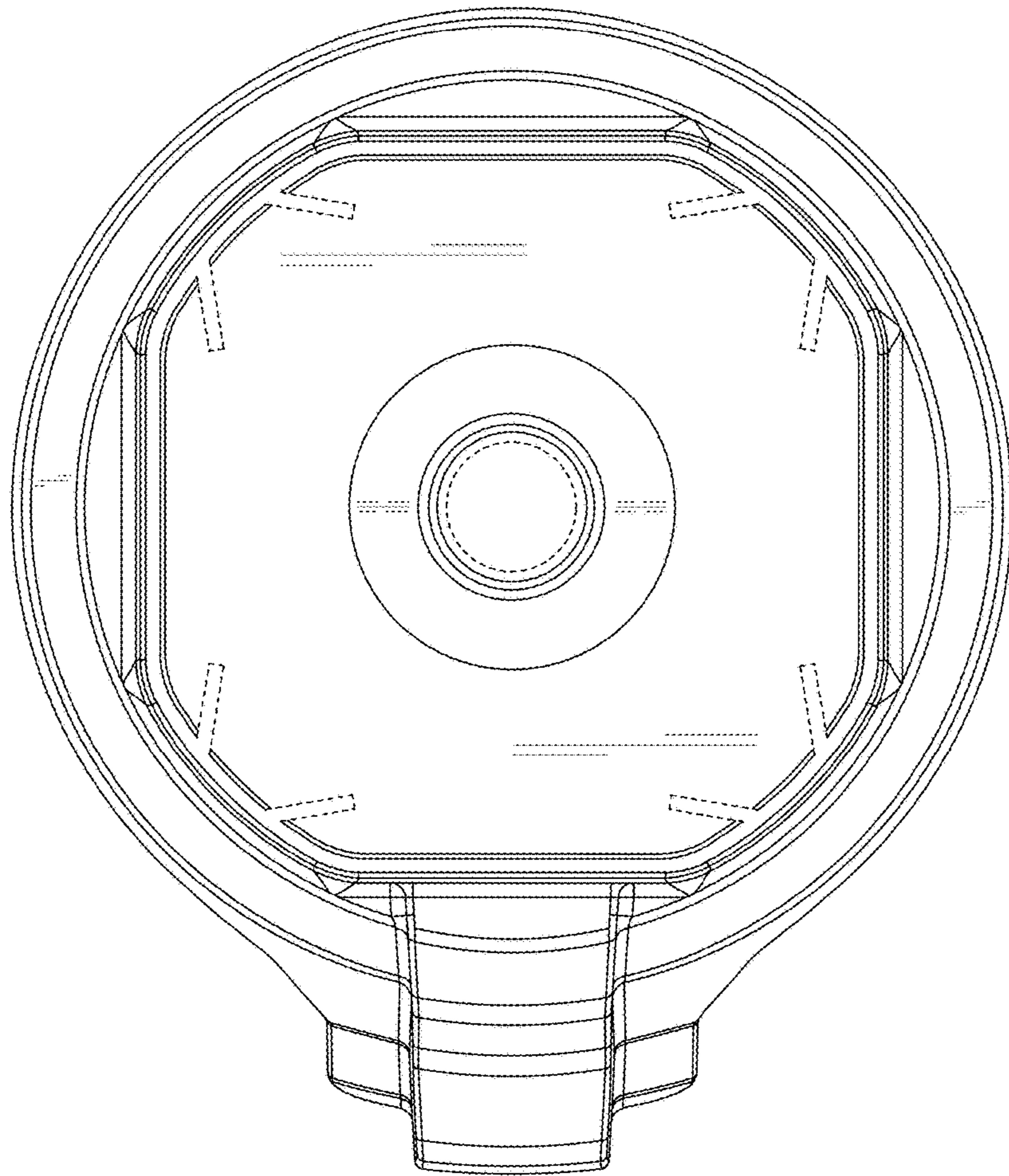


FIG. 14



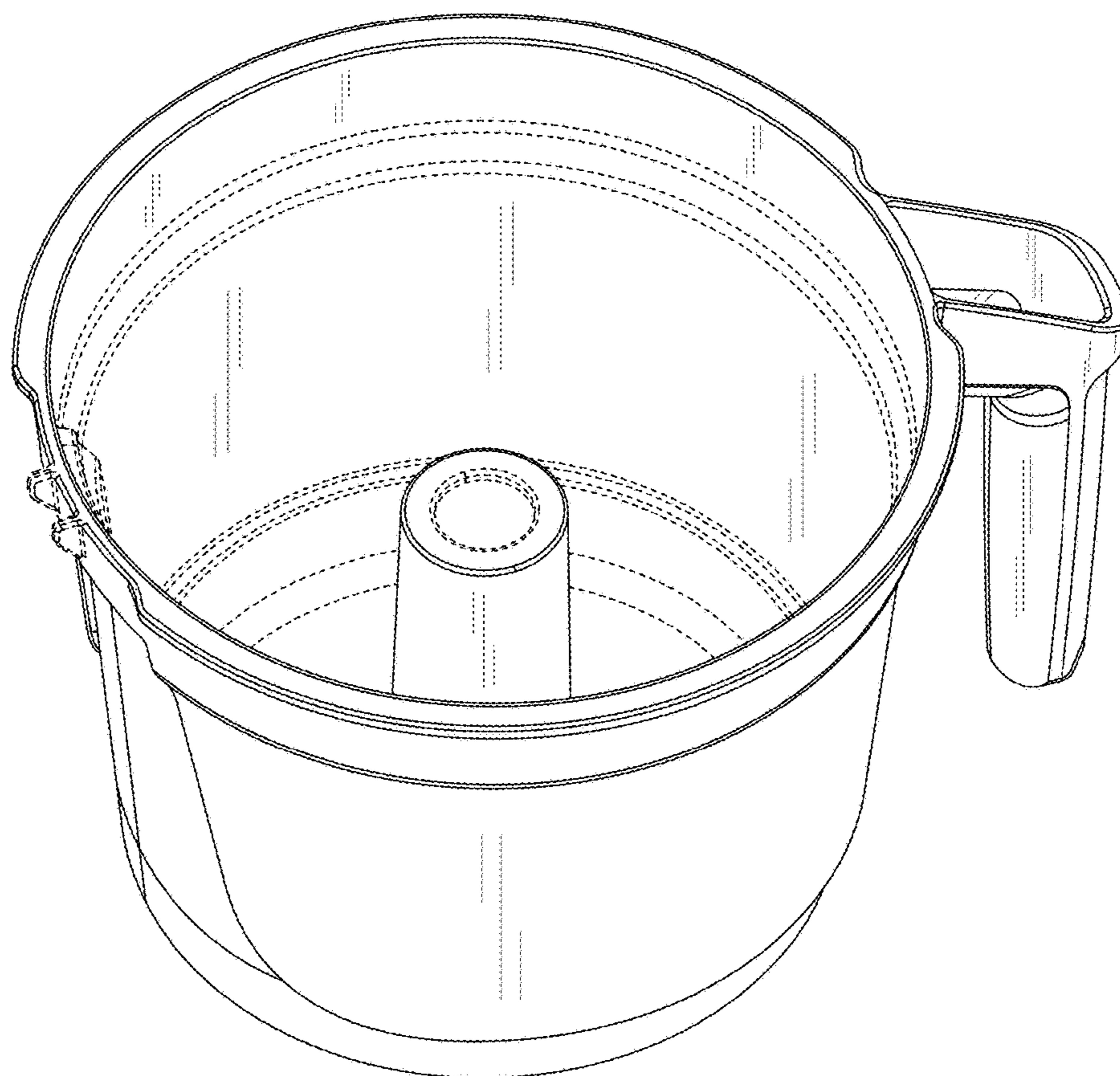


FIG. 15

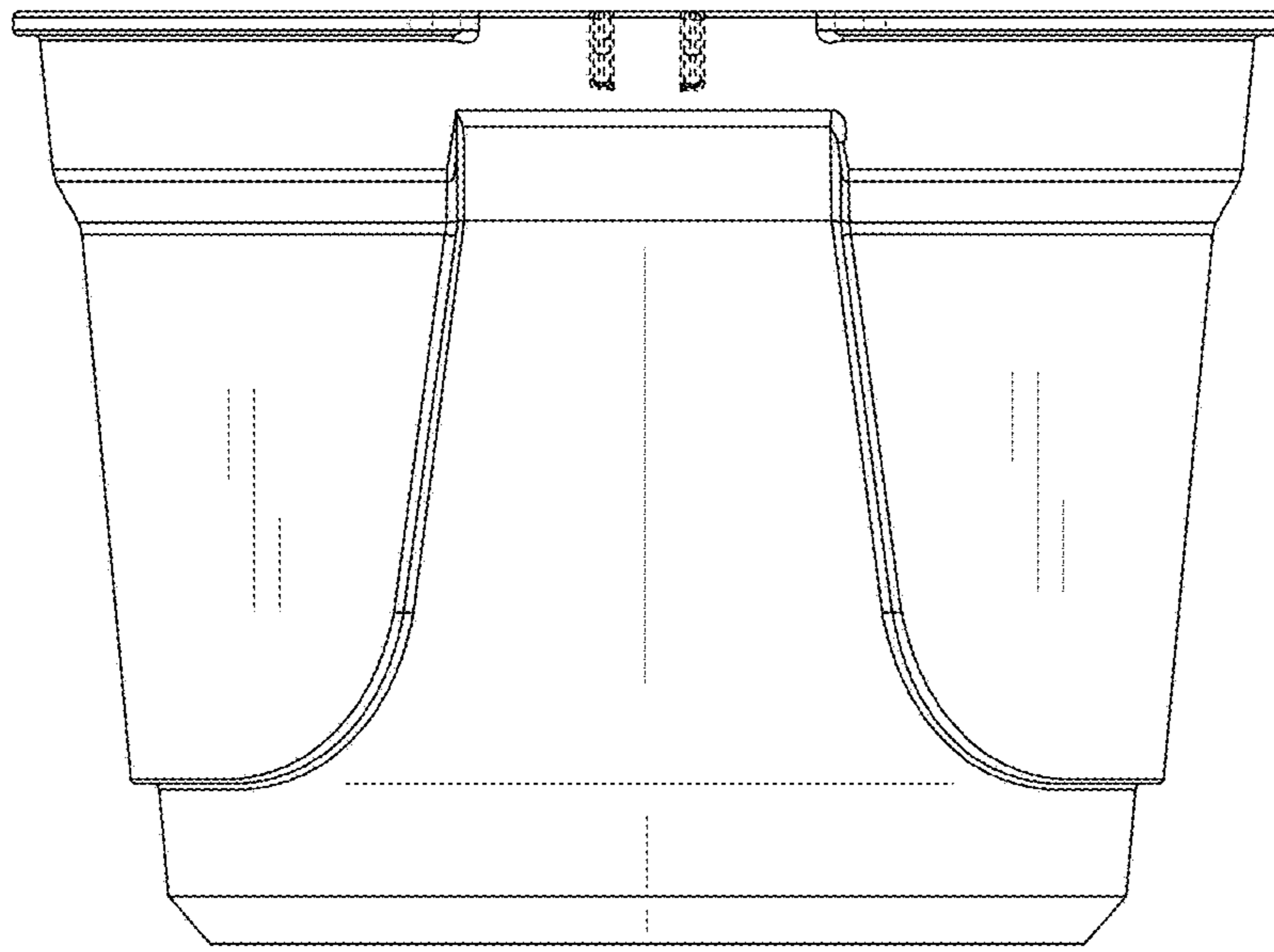


FIG. 16

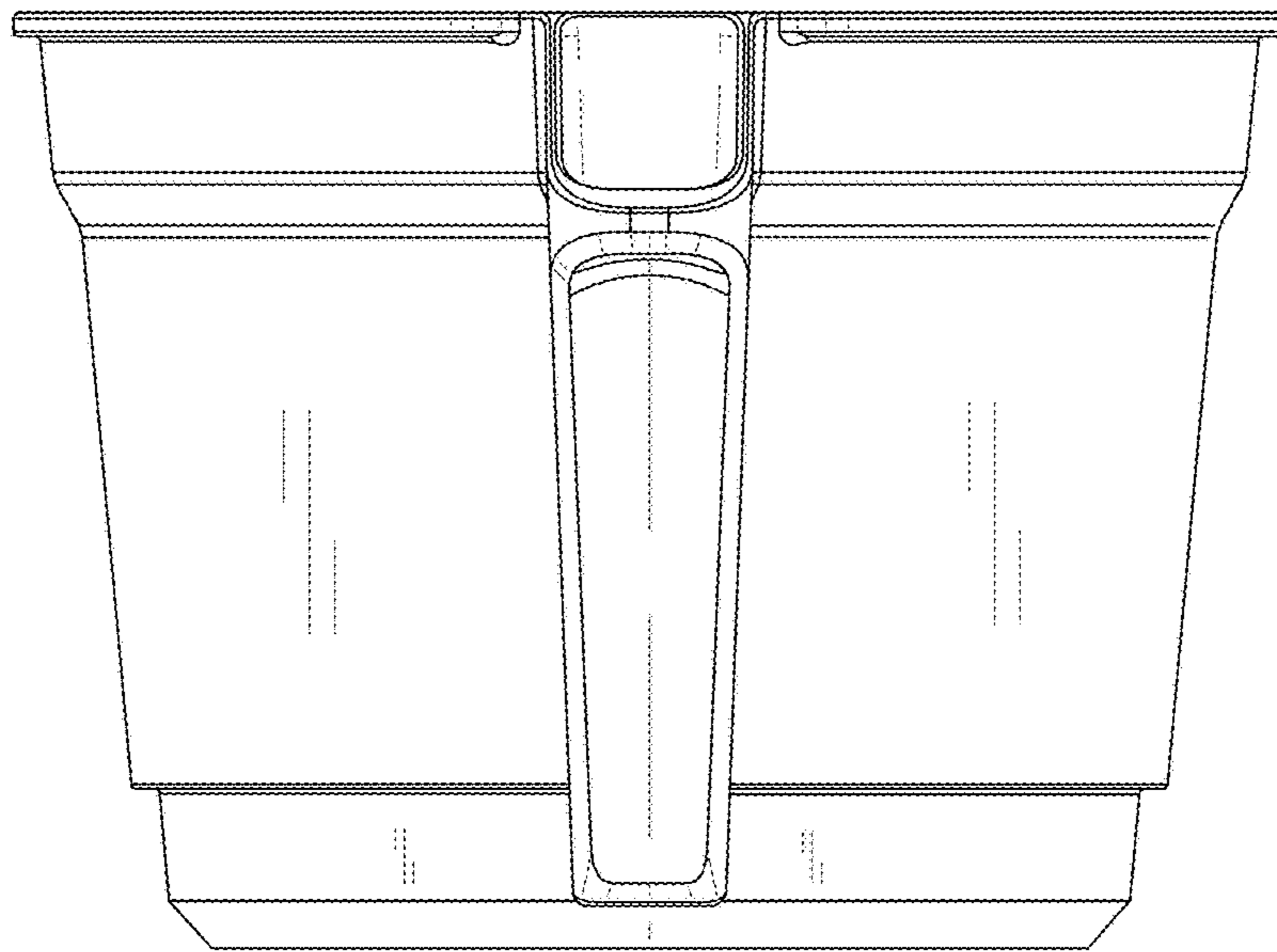


FIG. 17

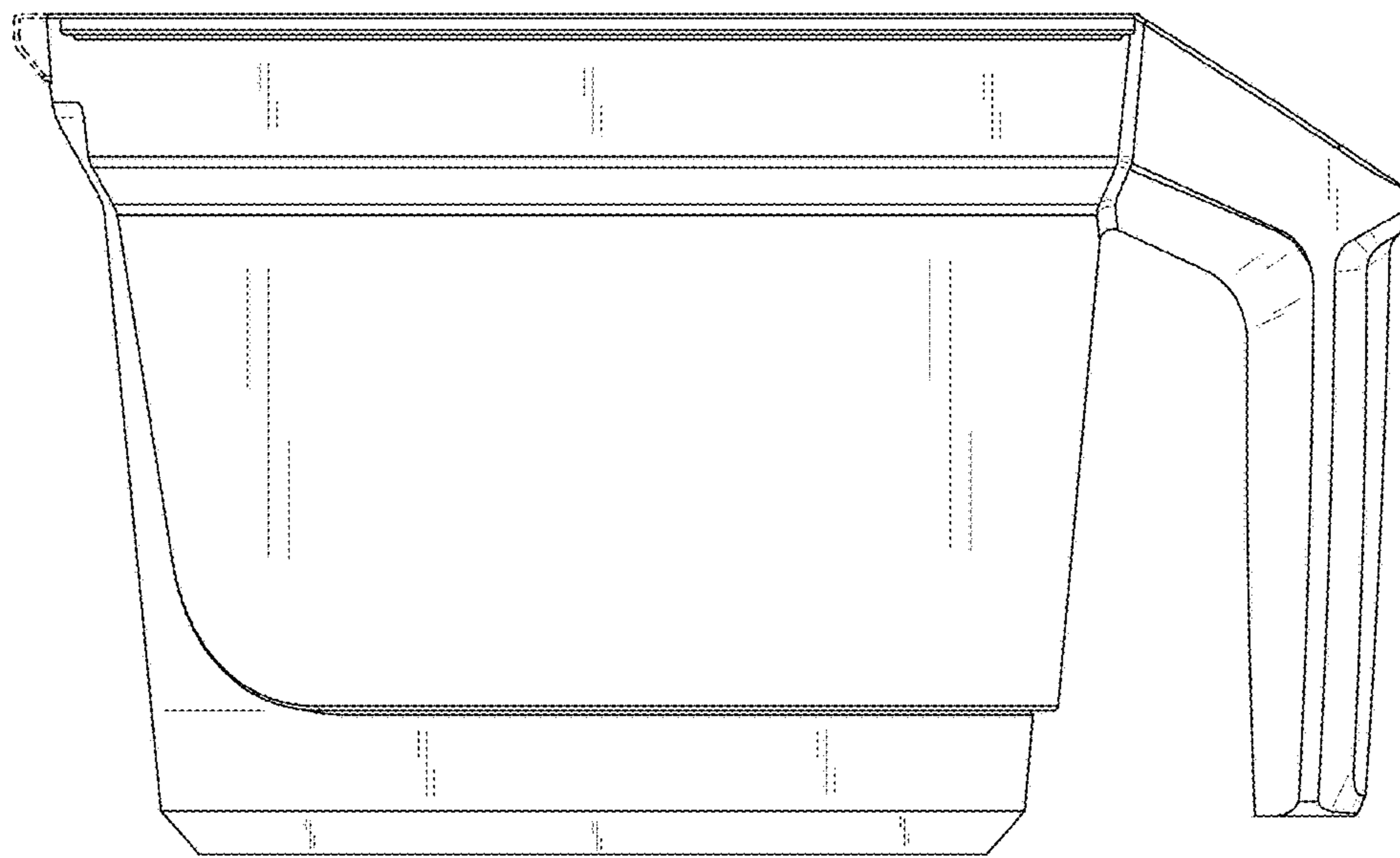


FIG. 18



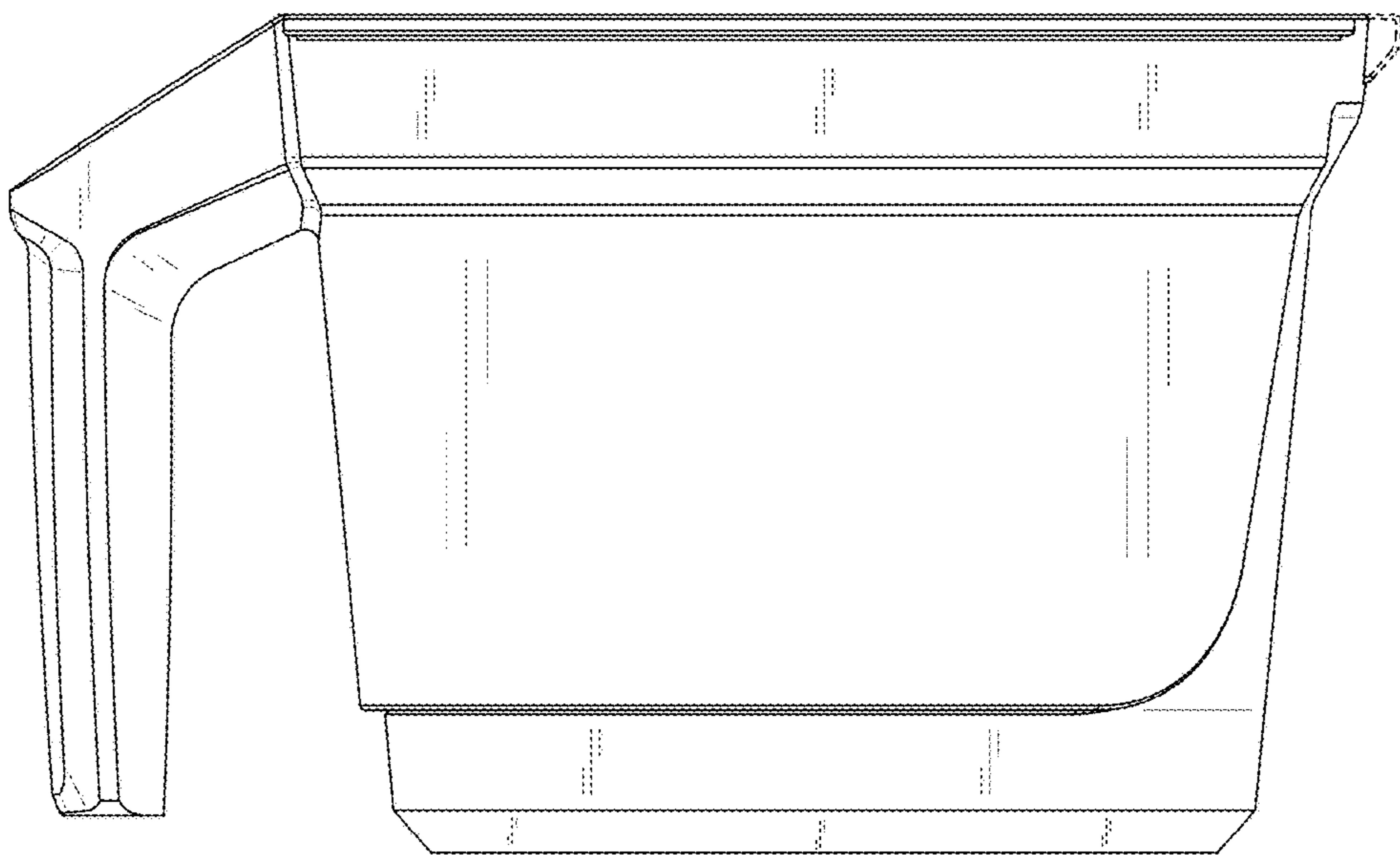


FIG. 19

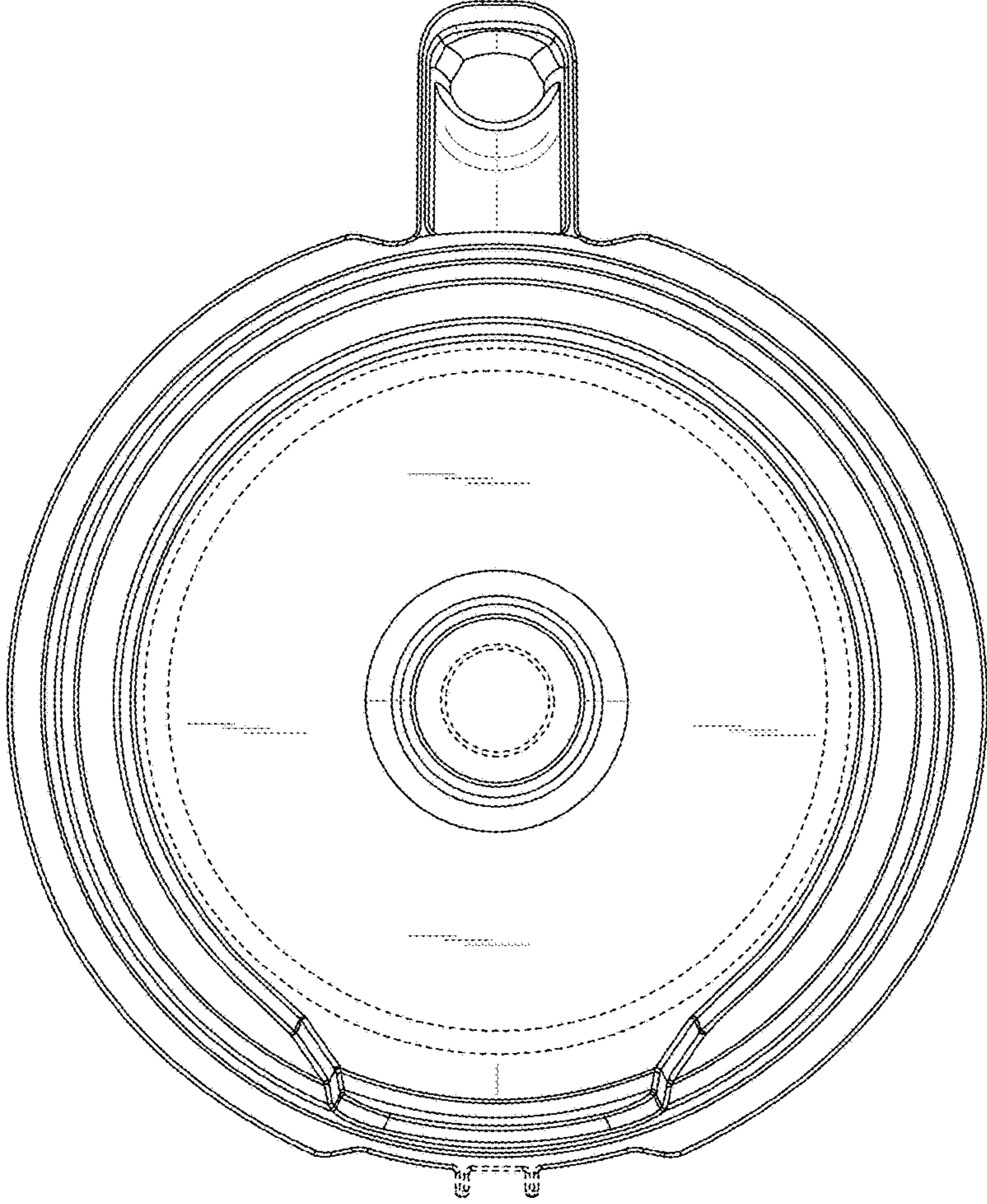


FIG. 20

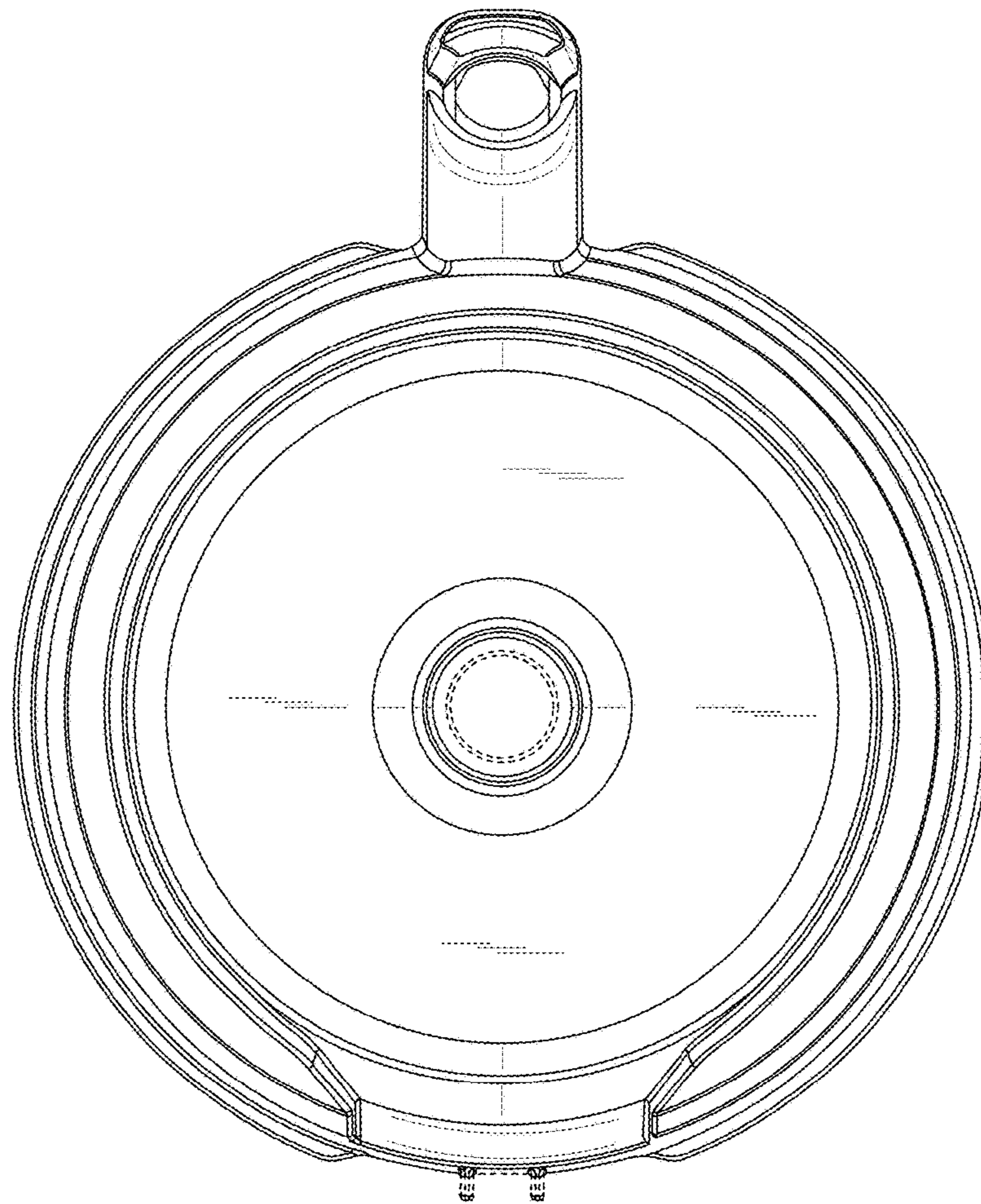


FIG. 21

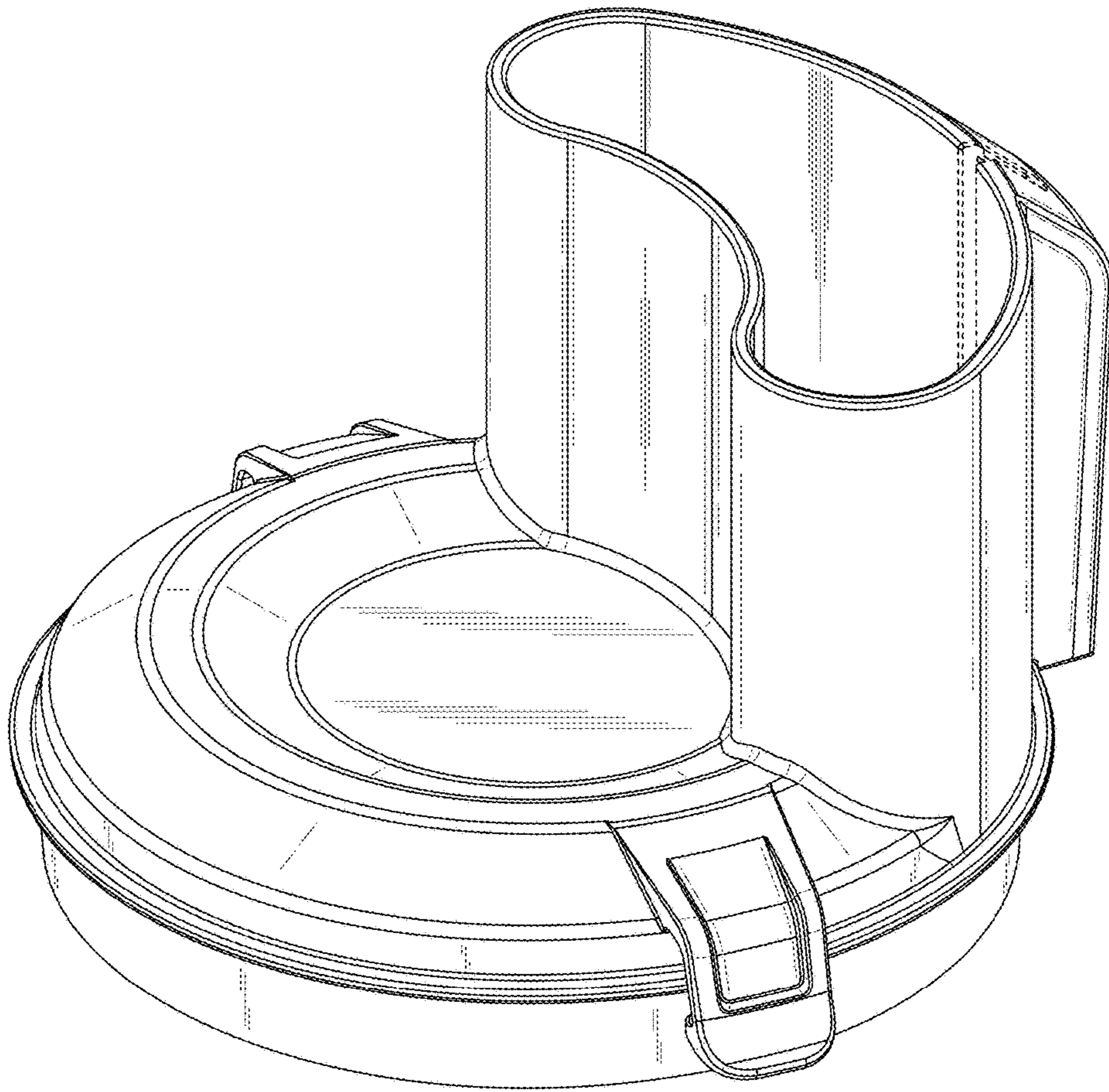


FIG. 22



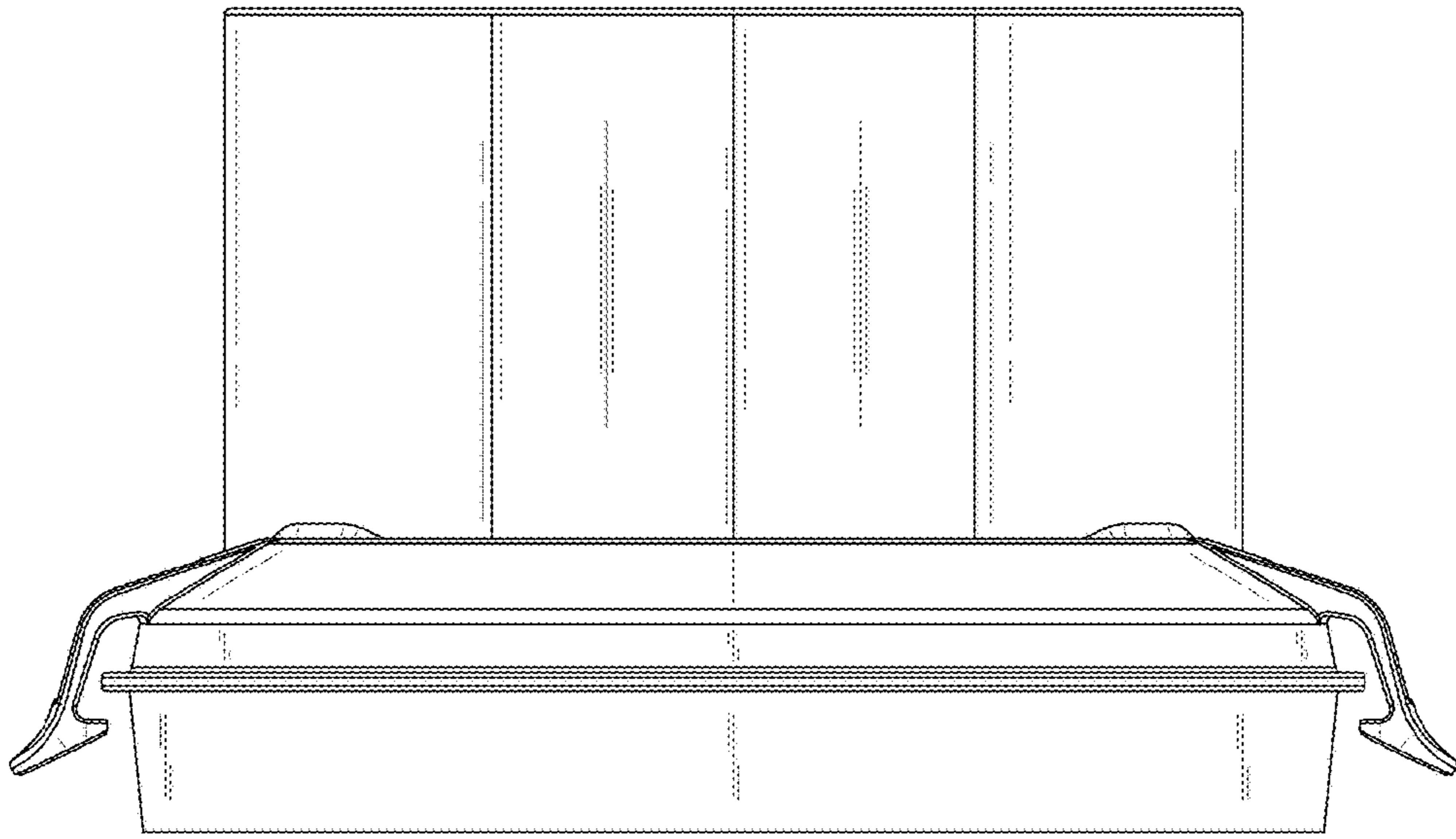


FIG. 23

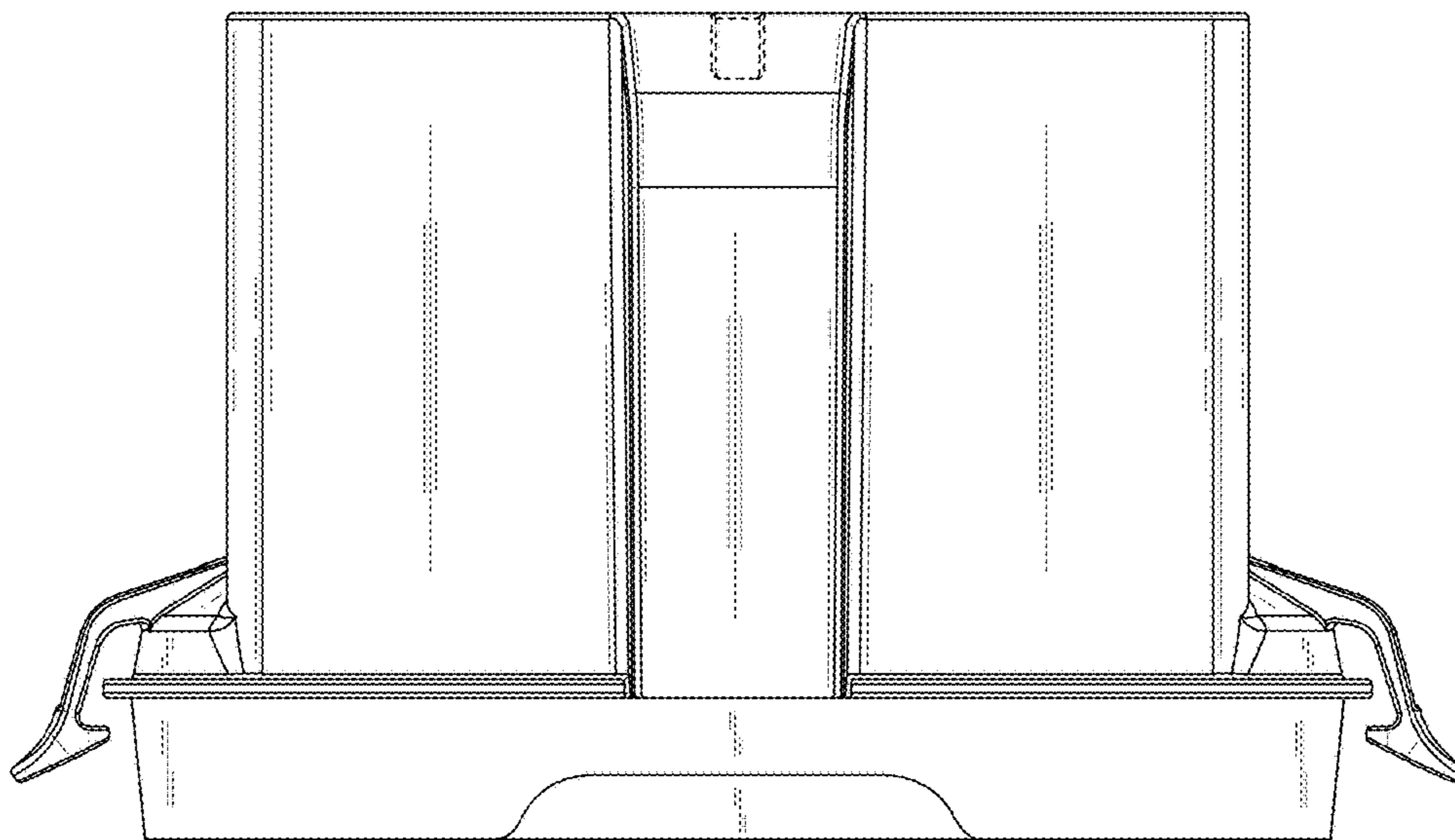


FIG. 24

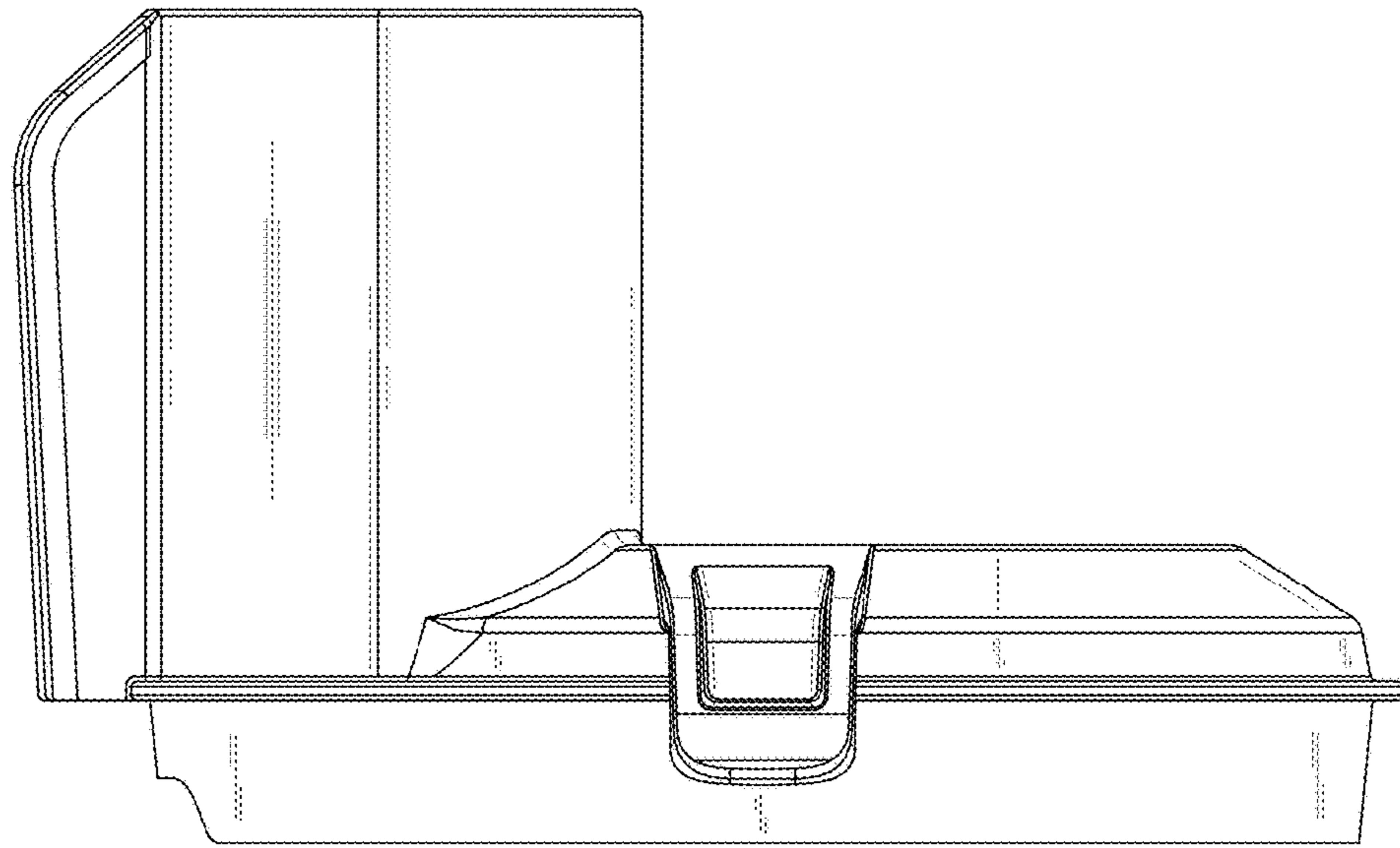


FIG. 25

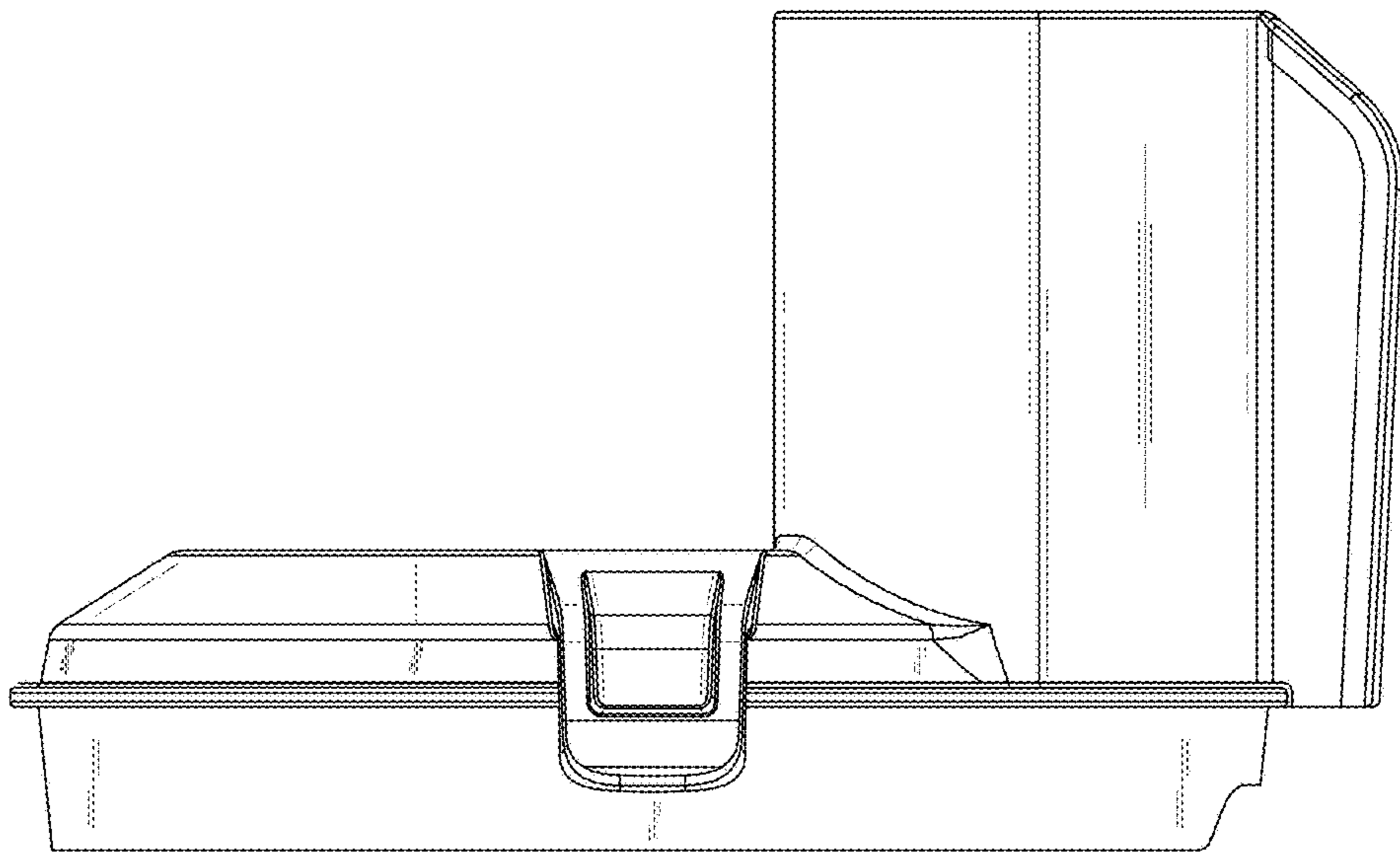


FIG. 26

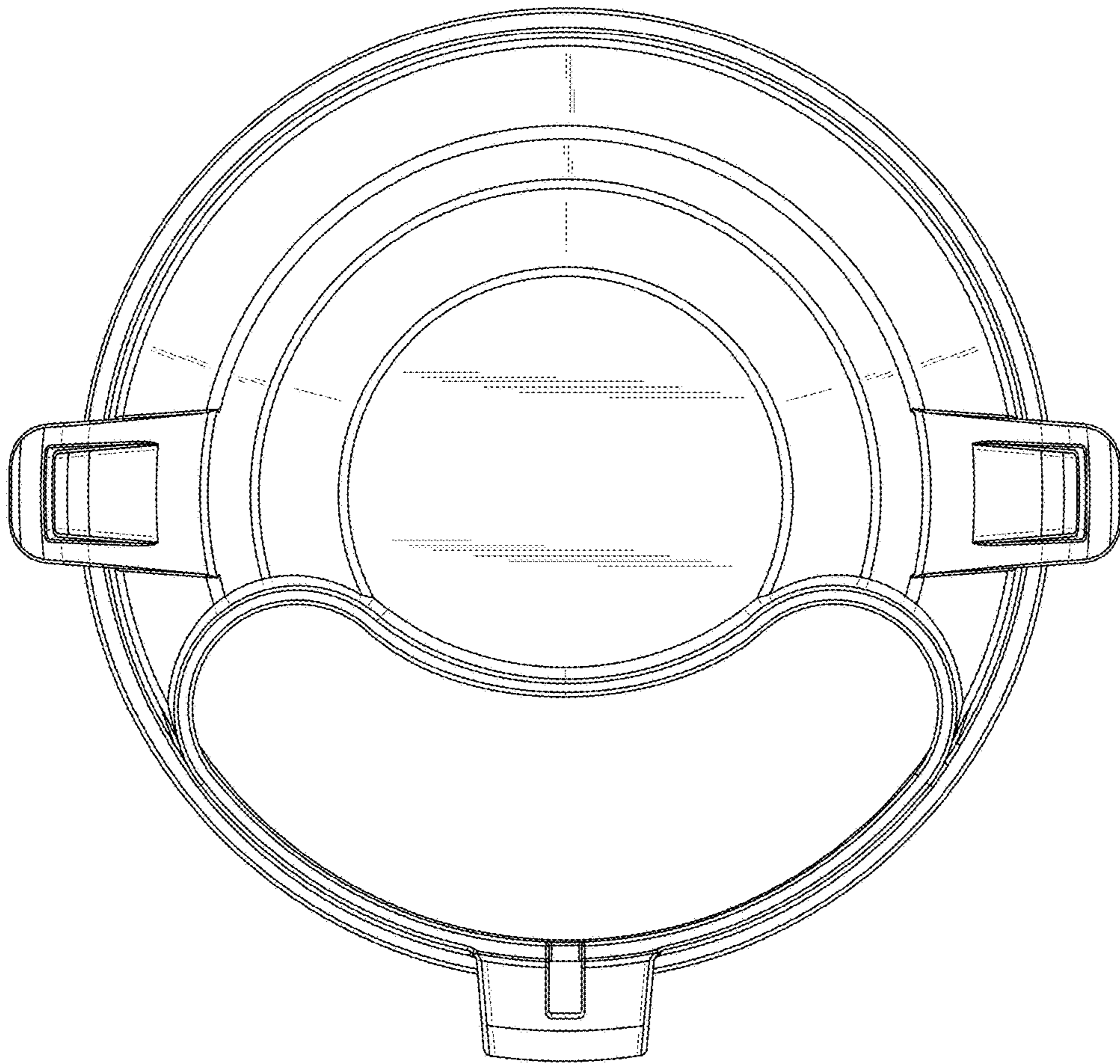


FIG. 27



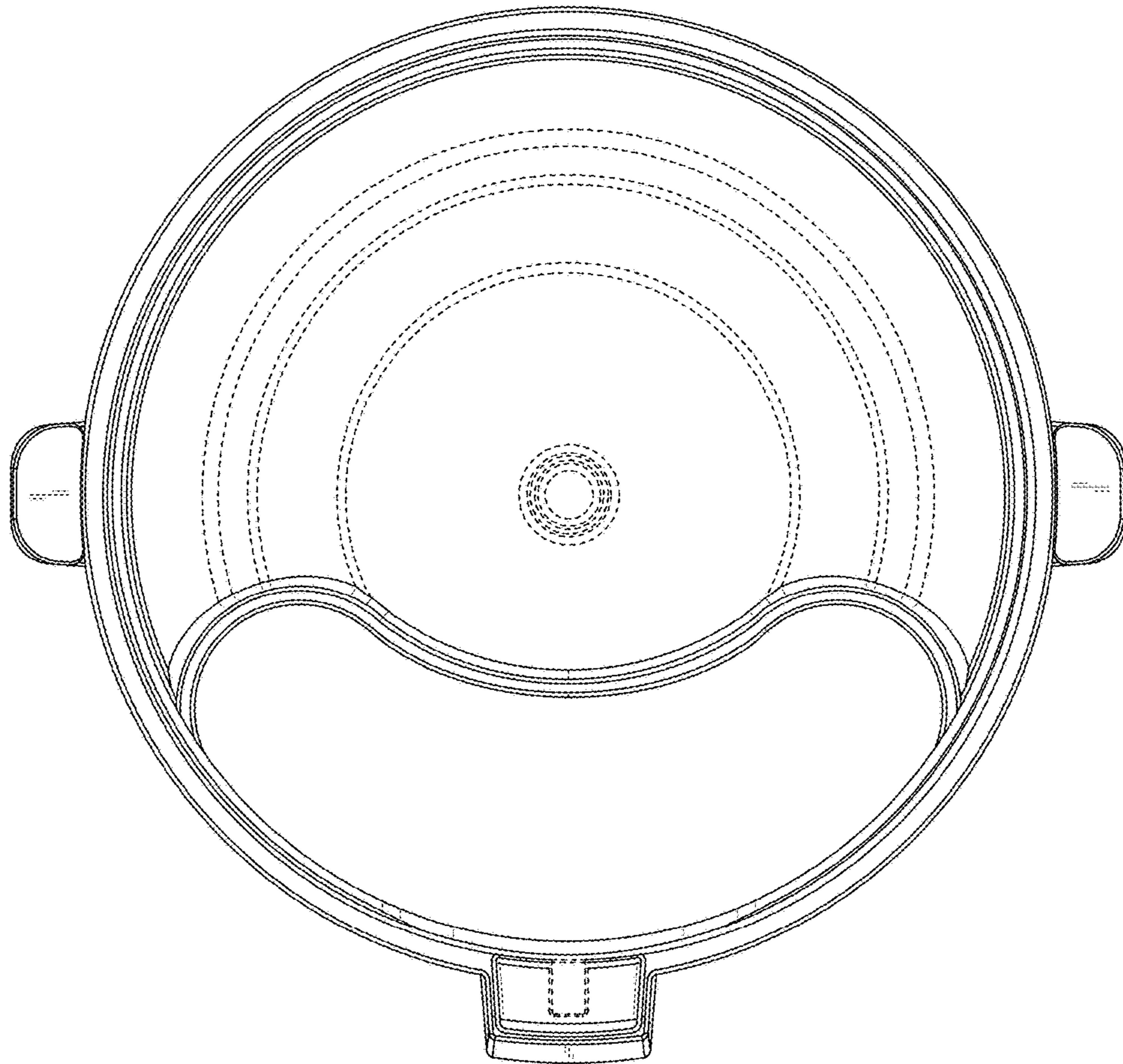


FIG. 28