



US00D863872S

(12) **United States Design Patent**
Chen

(10) **Patent No.:** **US D863,872 S**

(45) **Date of Patent:** **** Oct. 22, 2019**

(54) **MELON CUTTER**

(71) Applicant: **Pian Chen**, Yangjiang (CN)

(72) Inventor: **Pian Chen**, Yangjiang (CN)

(**) Term: **15 Years**

(21) Appl. No.: **29/685,578**

(22) Filed: **Mar. 29, 2019**

(30) **Foreign Application Priority Data**

Oct. 25, 2018 (EM) 005808334-0001

(51) **LOC (12) Cl.** **31-00**

(52) **U.S. Cl.**
USPC **D7/383**; D7/381

(58) **Field of Classification Search**
USPC D7/376–386, 412, 672–673
CPC . A47J 17/00; B26B 3/04; B26B 27/00; B26D
1/14; B26D 1/143; B26D 1/15; B26D
1/153; B26D 1/157; B26D 1/18; B26D
1/28; B26D 1/553; B26D 3/26; B26D
5/00; B26D 5/06; B26D 5/08; B26D
5/10; B26D 5/12; B26D 5/22; B26D
5/26; B26D 5/38; B26D 5/42; B26D
7/00; B26D 7/01; B26D 7/08; B26D
7/12; B26D 7/18; B26D 7/1818; B26D
7/22; B26D 7/225; B26D 7/24; B26D
7/26; B26D 7/2614; B26D 7/2621; B26D
7/2628; B26D 7/2635; B26D 7/30; B26D
7/32; B26D 7/325; B27G 13/00; B27G
13/005; B27G 13/10

See application file for complete search history.

(56) **References Cited**

U.S. PATENT DOCUMENTS

D85,385 S * 10/1931 Lowitz D7/673
2,824,588 A * 2/1958 Lyon B26D 3/26
30/114

D183,889 S 11/1958 Juliano
3,094,062 A * 6/1963 Boeke B26B 27/00
100/94
3,561,511 A * 2/1971 Kummer B26D 1/553
83/597
D246,411 S * 11/1977 Blanchard D7/673
D339,716 S 9/1993 Barrault
9,186,806 B2 * 11/2015 Holcomb B26B 3/04
D776,496 S * 1/2017 Mirchandani D7/672
D796,896 S 9/2017 Blaise
2014/0109738 A1 * 4/2014 Schwartz A47J 17/00
83/23

OTHER PUBLICATIONS

Windmill Watermelon Slicer, Youtube, (Published Mar. 14, 2019)
<https://www.youtube.com/watch?v=Qm9RDh4B1Ro> (Year: 2019).*

* cited by examiner

Primary Examiner — Ricky Pham

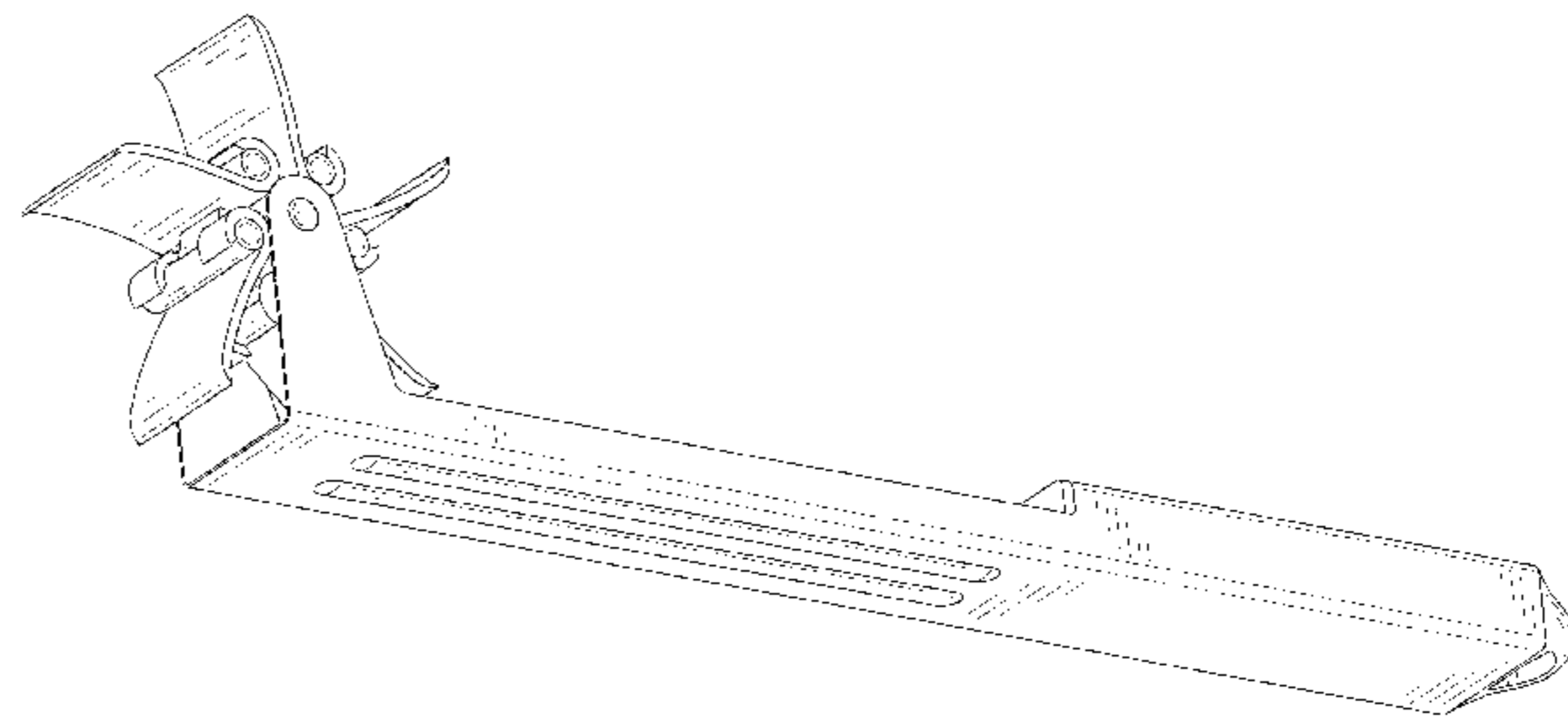
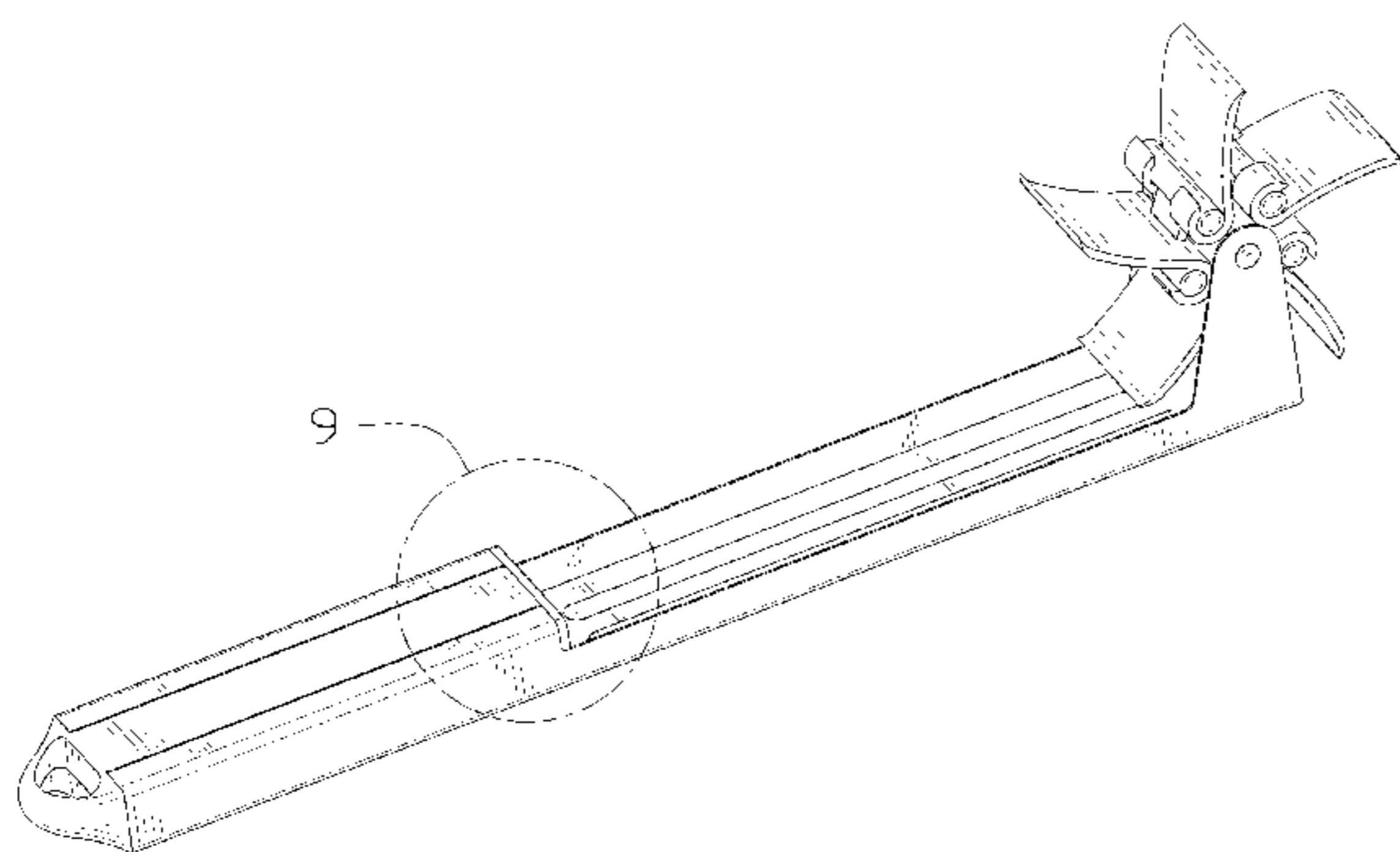
(57) **CLAIM**

The ornamental design for a melon cutter, as shown and described.

DESCRIPTION

FIG. 1 is a first perspective view of a melon cutter showing my design;
FIG. 2 is a second perspective view thereof;
FIG. 3 is a front view thereof;
FIG. 4 is a hack view thereof;
FIG. 5 is a left side view thereof;
FIG. 6 is a right side view thereof;
FIG. 7 is a top view thereof;
FIG. 8 is a bottom view thereof; and,
FIG. 9 is an enlarged view of the selected portion of FIG. 1.
The broken lines shown in the drawings depict portions of the melon cutter in which the design is embodied that form no part of the claimed design.

1 Claim, 9 Drawing Sheets



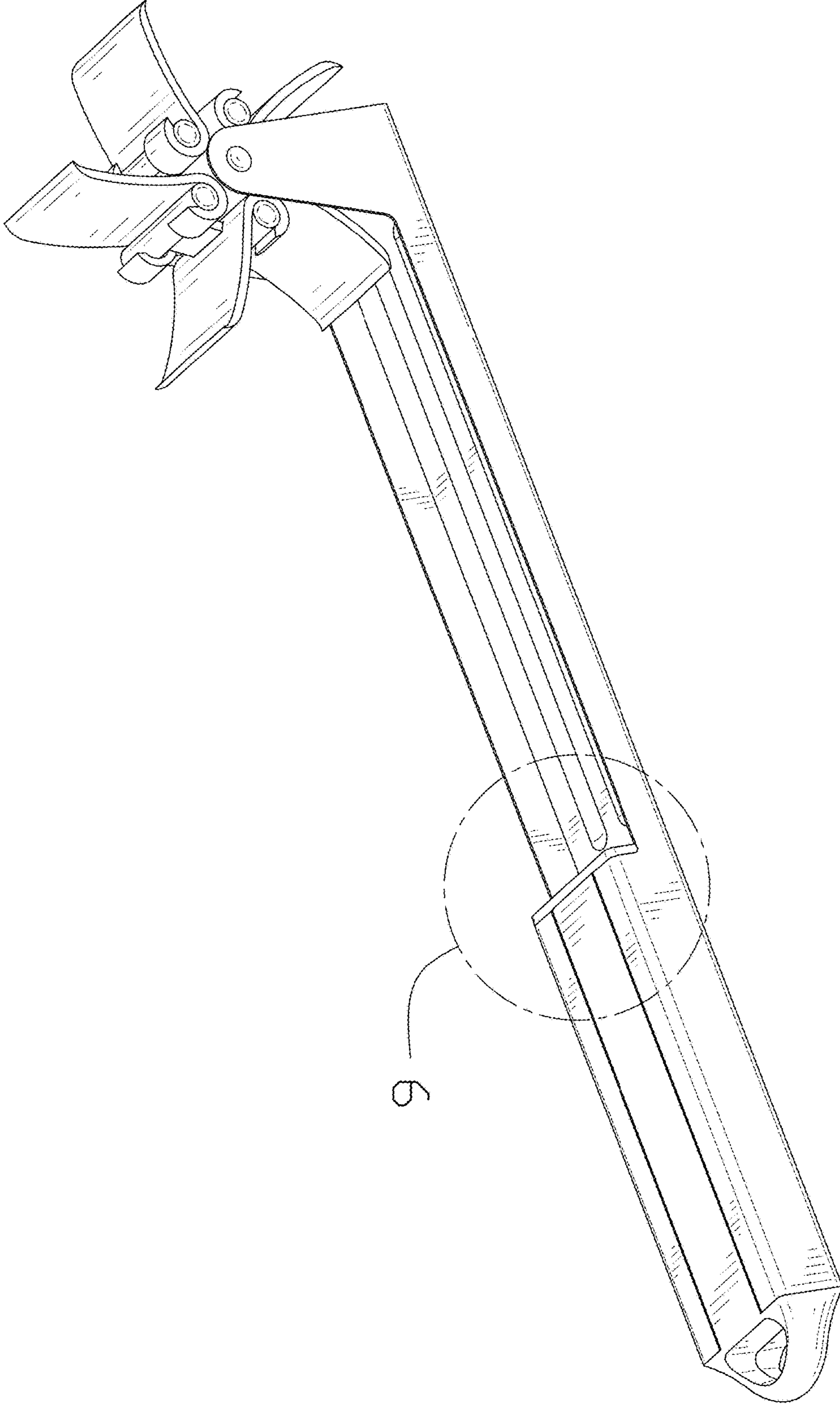


FIG. 1

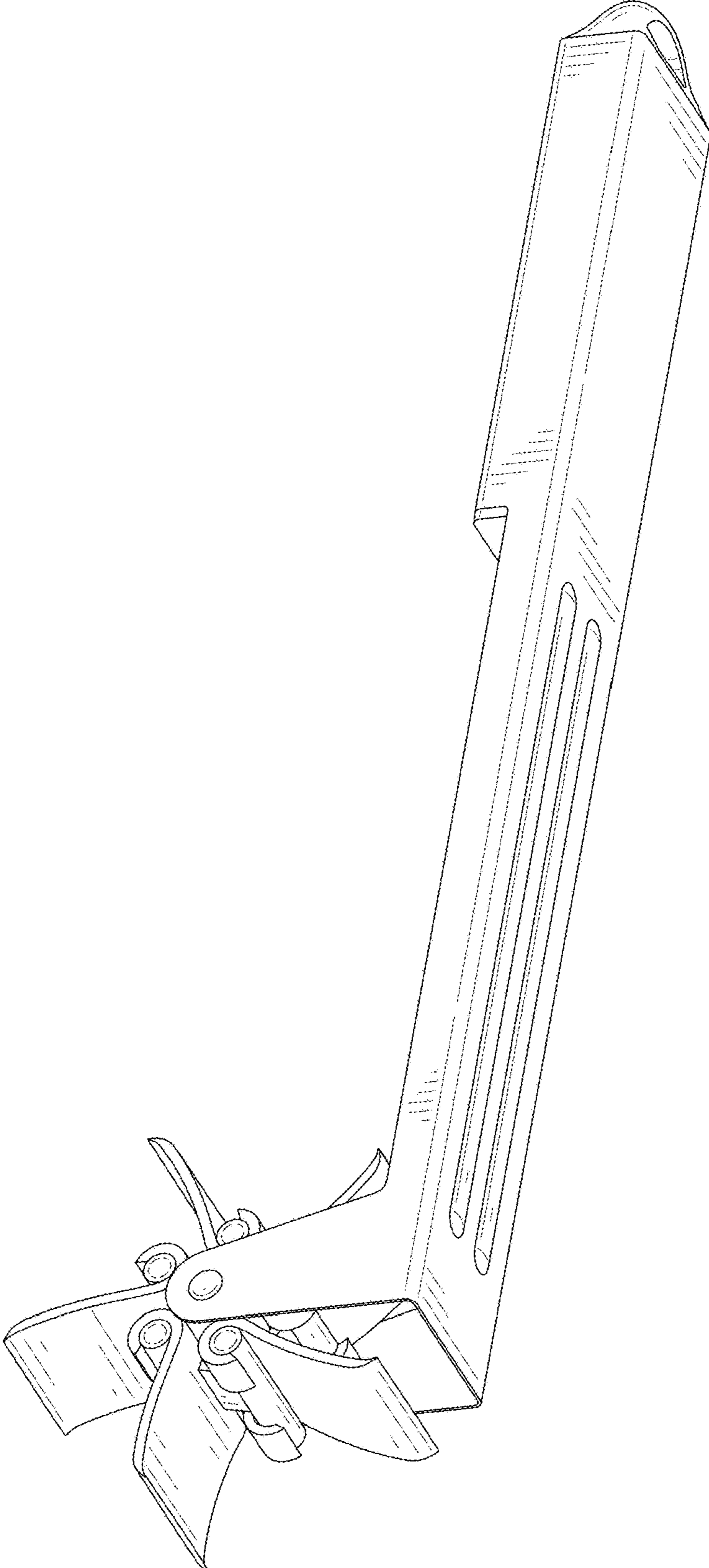


FIG. 2

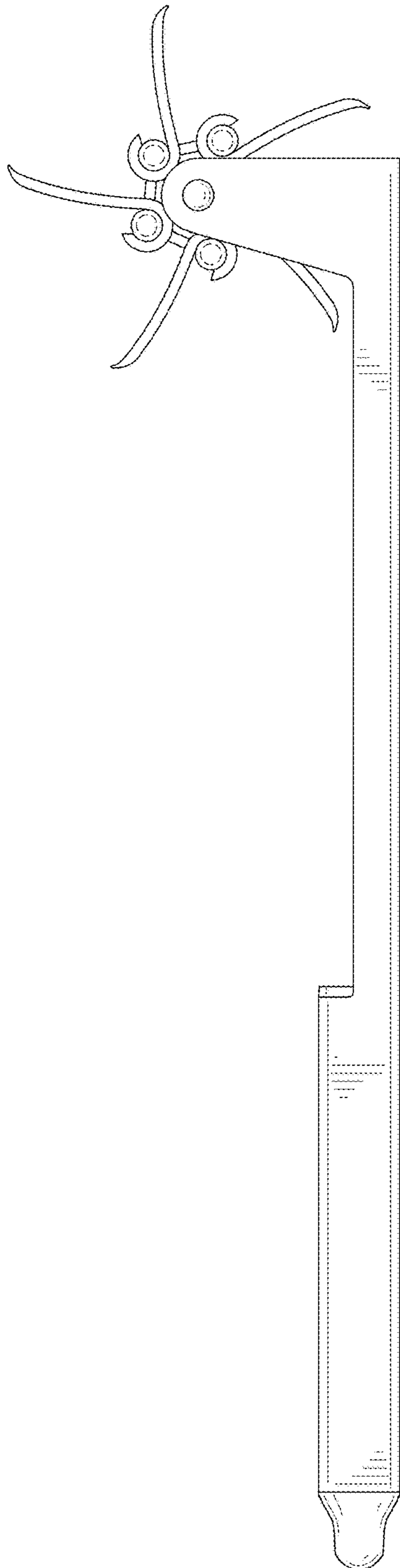


FIG. 3

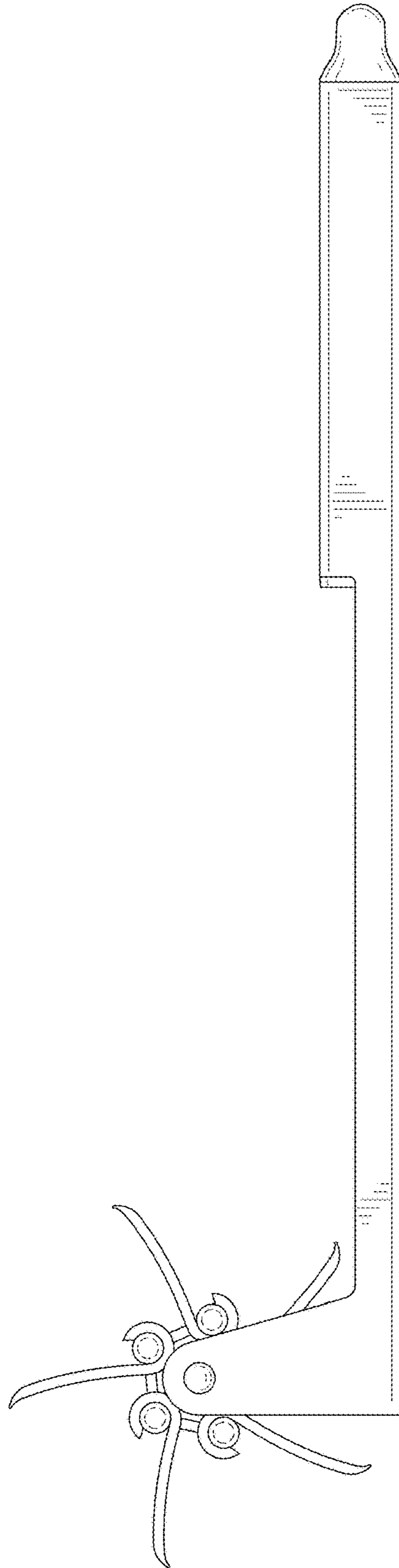


FIG. 4

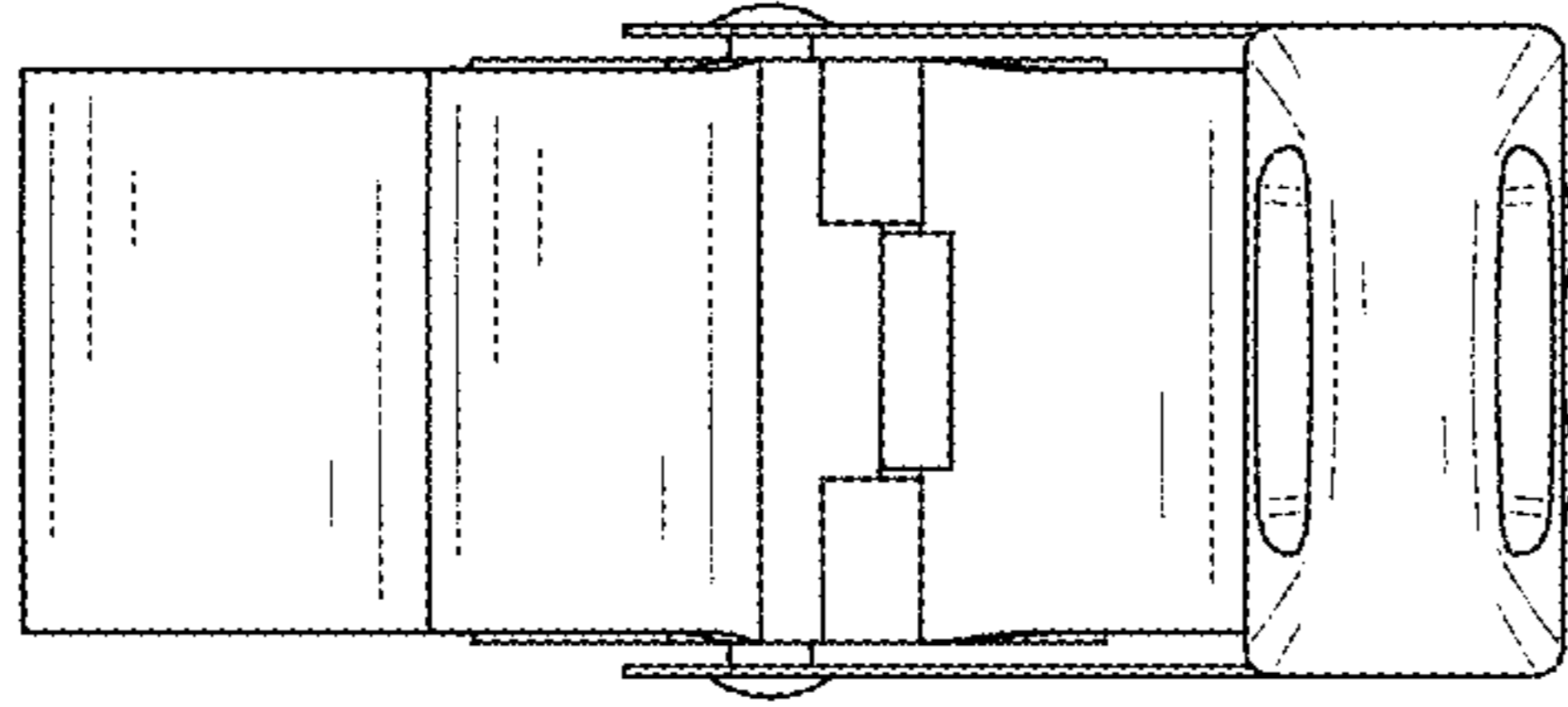


FIG. 5

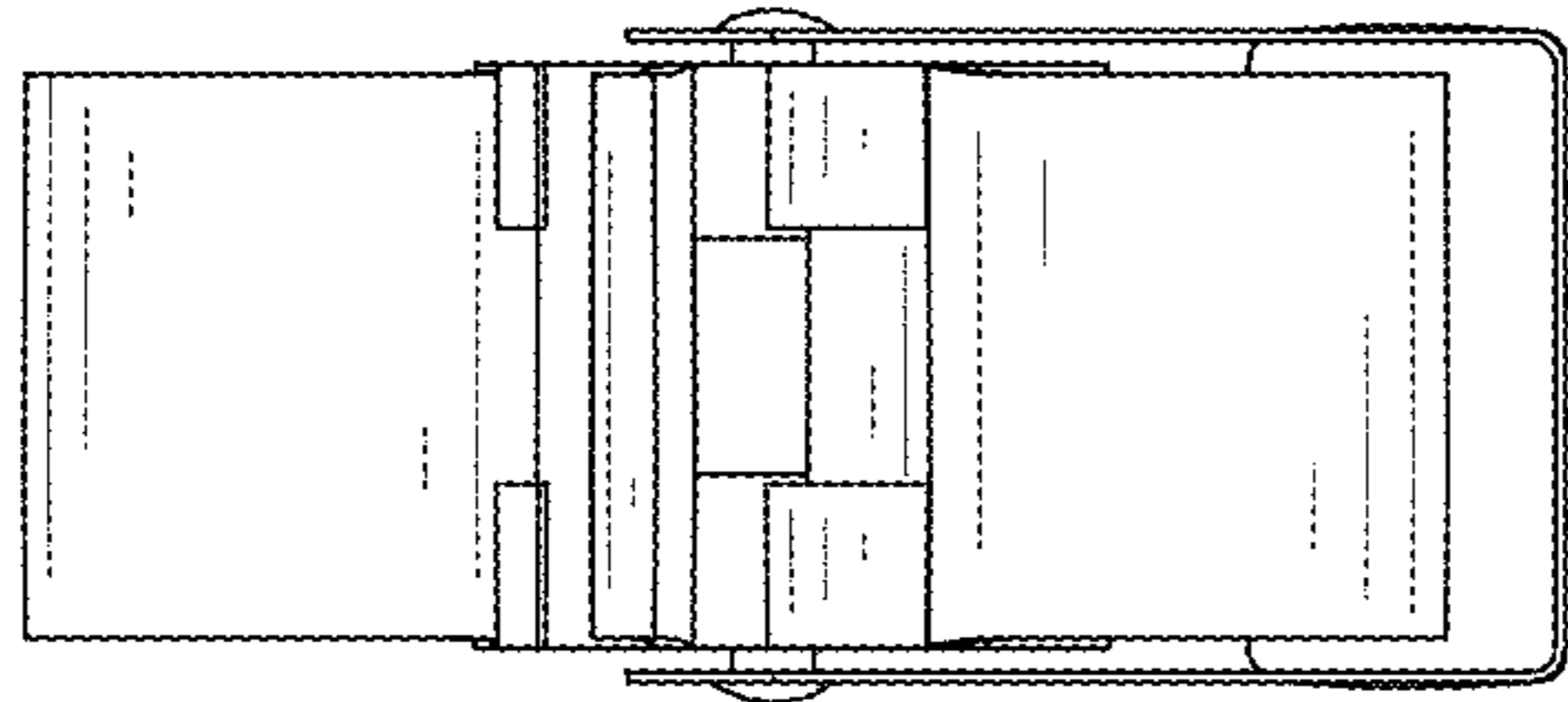


FIG. 6

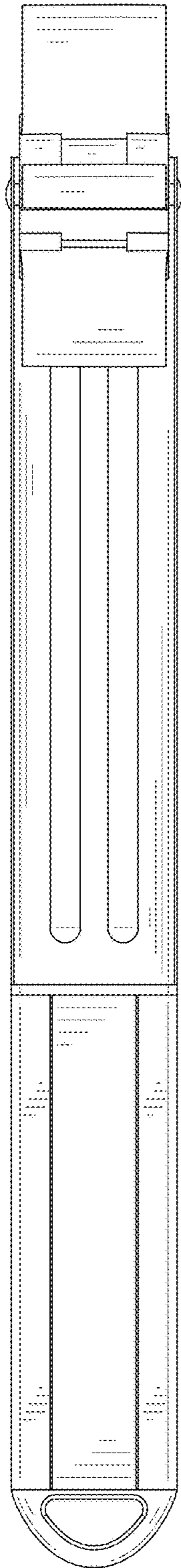


FIG. 7

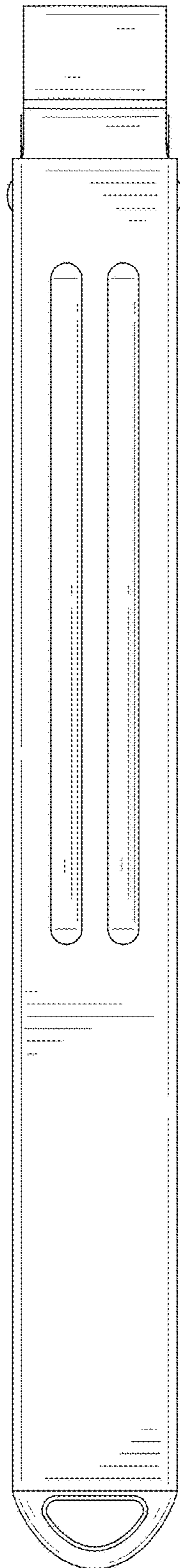


FIG. 8

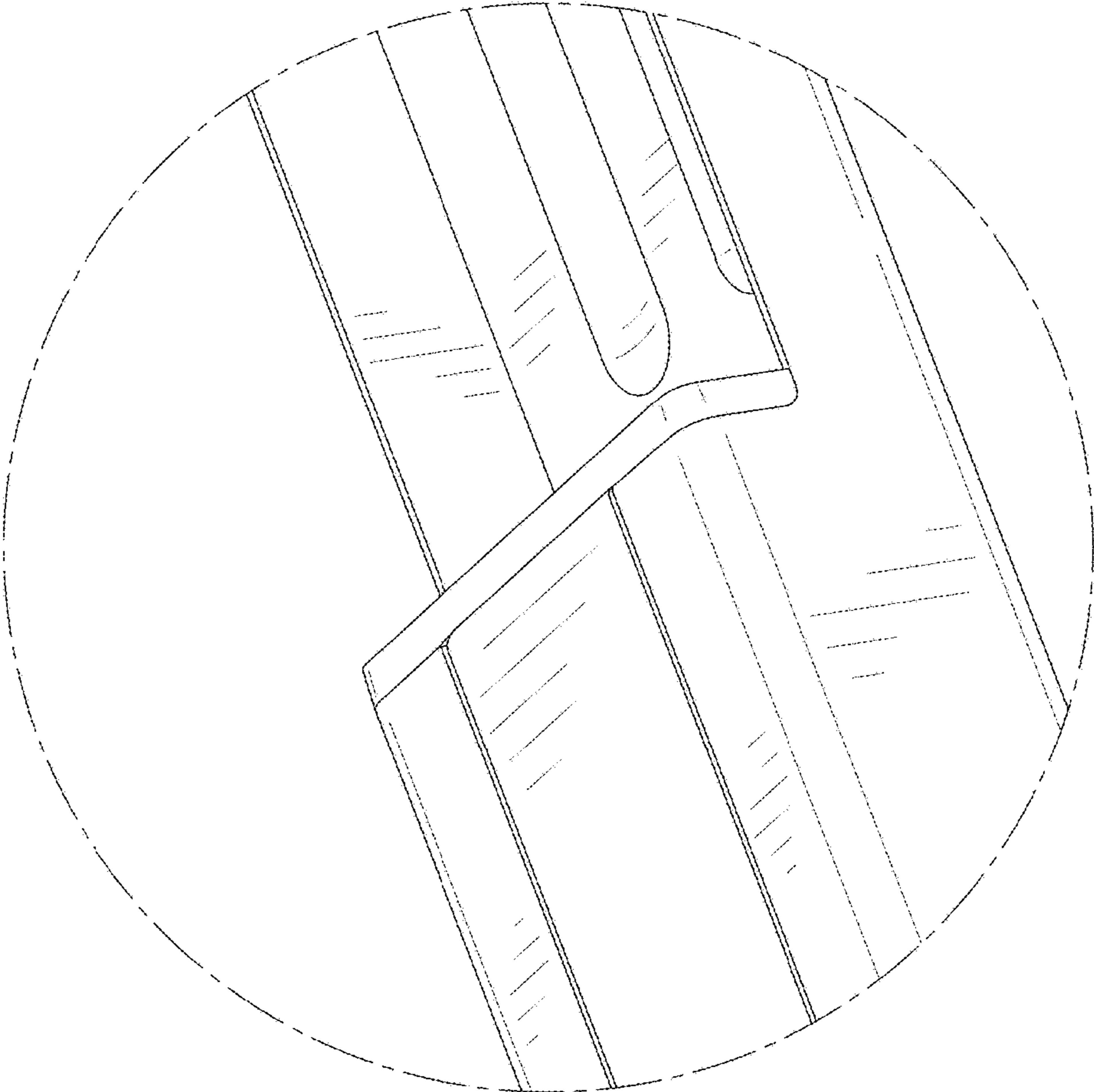


FIG. 9