



US00D863871S

(12) **United States Design Patent**
Niewiadomski

(10) **Patent No.:** **US D863,871 S**
(45) **Date of Patent:** **** Oct. 22, 2019**

(54) **HAND-OPERATED MIXER**

D784,070 S * 4/2017 Harris D7/376
D795,636 S * 8/2017 Chen D7/376
D799,262 S * 10/2017 Feng D7/384

(71) Applicant: **KUBOID GMBH**, Basel (CH)

(72) Inventor: **Oliver Niewiadomski**, Bremen (DE)

(**) Term: **15 Years**

(21) Appl. No.: **35/505,515**

(22) Filed: **Jul. 26, 2018**

(80) **Hague Agreement Data**

Int. Filing Date: **Jul. 26, 2018**
Int. Reg. No.: **DM/102334**
Int. Reg. Date: **Jul. 26, 2018**
Int. Reg. Pub. Date: **Aug. 24, 2018**

(51) **LOC (12) Cl.** **31-00**

(52) **U.S. Cl.**
USPC **D7/380**

(58) **Field of Classification Search**

USPC D7/376-380; D24/220
CPC B01F 15/00506; B01F 11/0054
See application file for complete search history.

(56) **References Cited**

U.S. PATENT DOCUMENTS

D696,550 S * 12/2013 Wong D7/376
D745,315 S * 12/2015 Perkins D7/376

OTHER PUBLICATIONS

<https://www.anthroposophie.ch/de/naturwissenschaft/news/artikel/erste-vorstellung-des-handmischers-rhythmixx.html> (Year: 2018).*

* cited by examiner

Primary Examiner — Michael A. Pratt

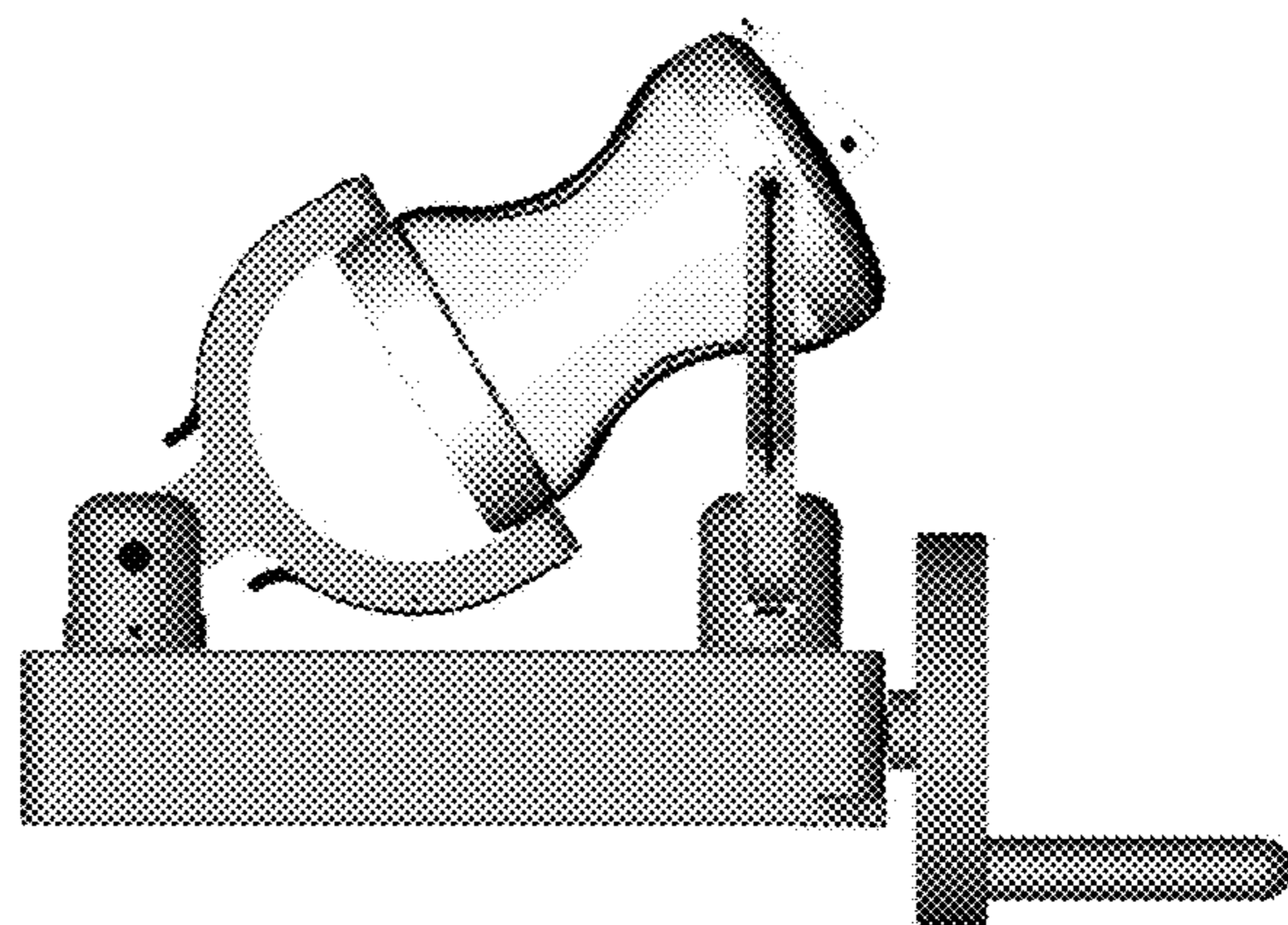
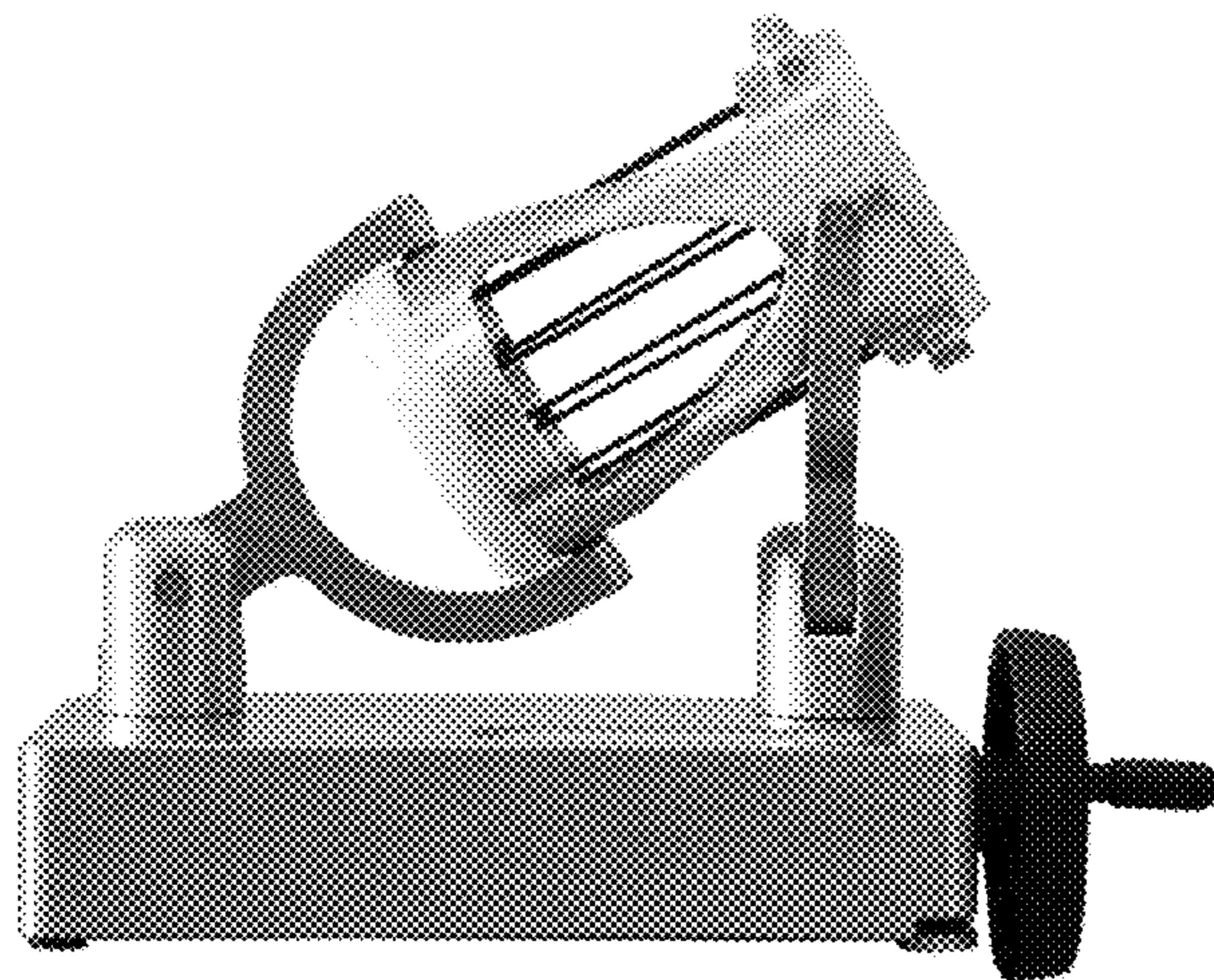
(57) **CLAIM**

The ornamental design for hand-operated mixer, as shown and described.

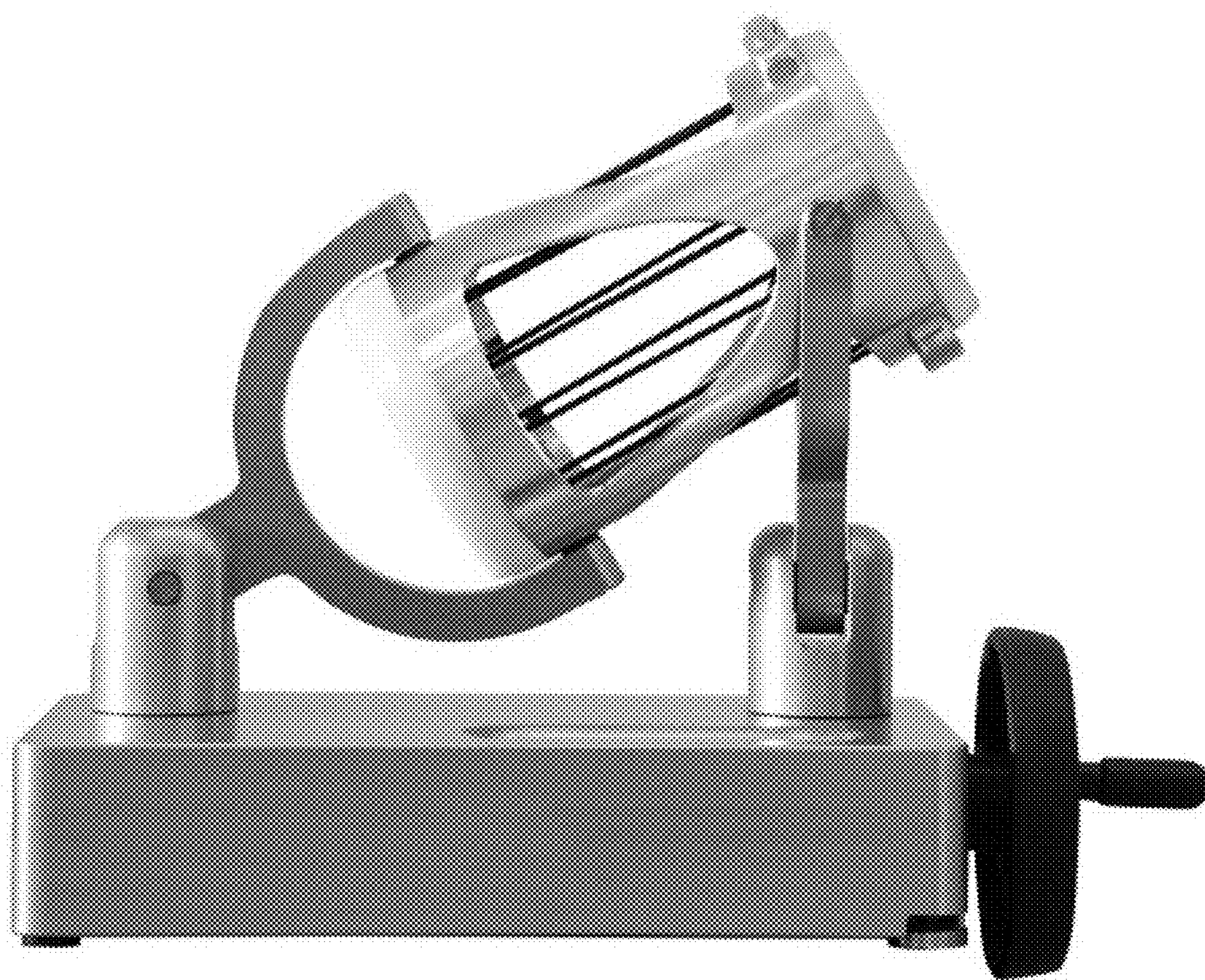
DESCRIPTION

- 1.-2. Hand-operated mixer
- 1.1 : Perspective
- 1.2 : Side
- 2.1 : Front
- 2.2 : Top

1 Claim, 4 Drawing Sheets



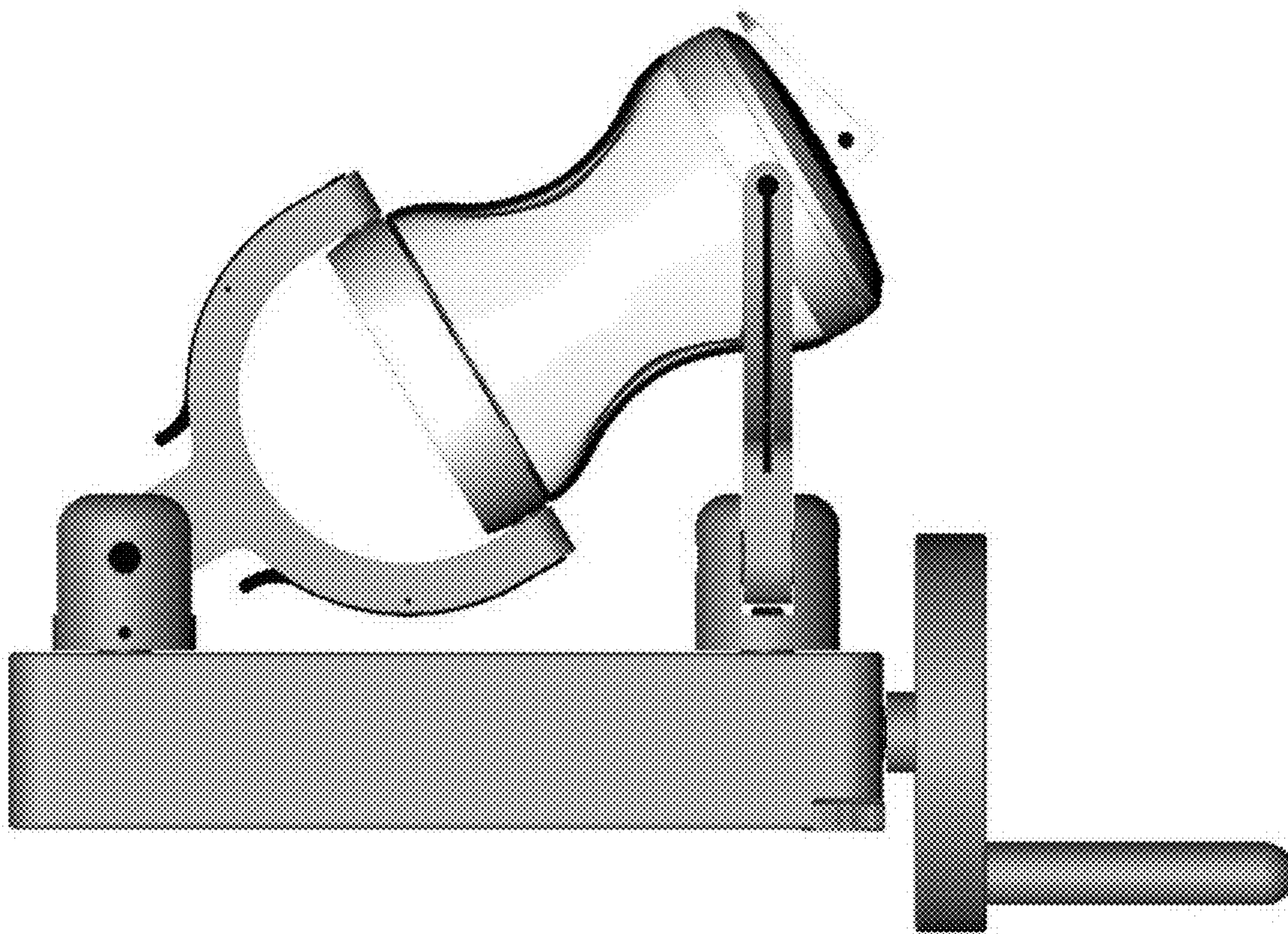
1.1



1.2



2.1



2.2

