



US00D863870S

(12) **United States Design Patent**
Powell

(10) **Patent No.:** **US D863,870 S**
(45) **Date of Patent:** **** Oct. 22, 2019**

(54) **ELECTRIC FOOD PROCESSOR**

(71) Applicant: **SEB, Selongey (FR)**

(72) Inventor: **Dick Powell, London (GB)**

(**) Term: **15 Years**

(21) Appl. No.: **35/504,823**

(22) Filed: **Mar. 21, 2018**

(80) **Hague Agreement Data**

Int. Filing Date: **Mar. 21, 2018**
Int. Reg. No.: **DM/100649**
Int. Reg. Date: **Mar. 21, 2018**
Int. Reg. Pub. Date: **Apr. 27, 2018**

(30) **Foreign Application Priority Data**

Oct. 5, 2017 (FR) 2017-4545

(51) **LOC (12) Cl.** **31-00**

(52) **U.S. Cl.**
USPC **D7/378**

(58) **Field of Classification Search**
USPC D7/368, 376-378
CPC .. A47J 31/00; A47J 43/00; A47J 43/04; A47J
43/046; A47J 43/07; A47J 43/0772; A47J
43/0777; A47J 43/0783; A47J 43/0788;
A47J 43/085; A47J 2043/04418; A47J
2043/04454; B01F 13/0064
See application file for complete search history.

(56) **References Cited**

U.S. PATENT DOCUMENTS

D731,235 S * 6/2015 Bradley D7/376
D746,629 S * 1/2016 Ji D7/376

D747,135 S * 1/2016 Ha D7/376
D817,080 S * 5/2018 Seidl A47J 43/046
D7/377
D828,080 S * 9/2018 Ou A47J 43/0727
D7/376
2004/0042337 A1* 3/2004 Yiu A47J 43/046
366/199
2013/0032038 A1* 2/2013 Lee A47J 43/046
99/348
2016/0130052 A1* 5/2016 Stenglein A47J 43/0727
220/212
2016/0360927 A1* 12/2016 Behar A47J 43/085

* cited by examiner

Primary Examiner — Mary Ann Calabrese

(57) **CLAIM**

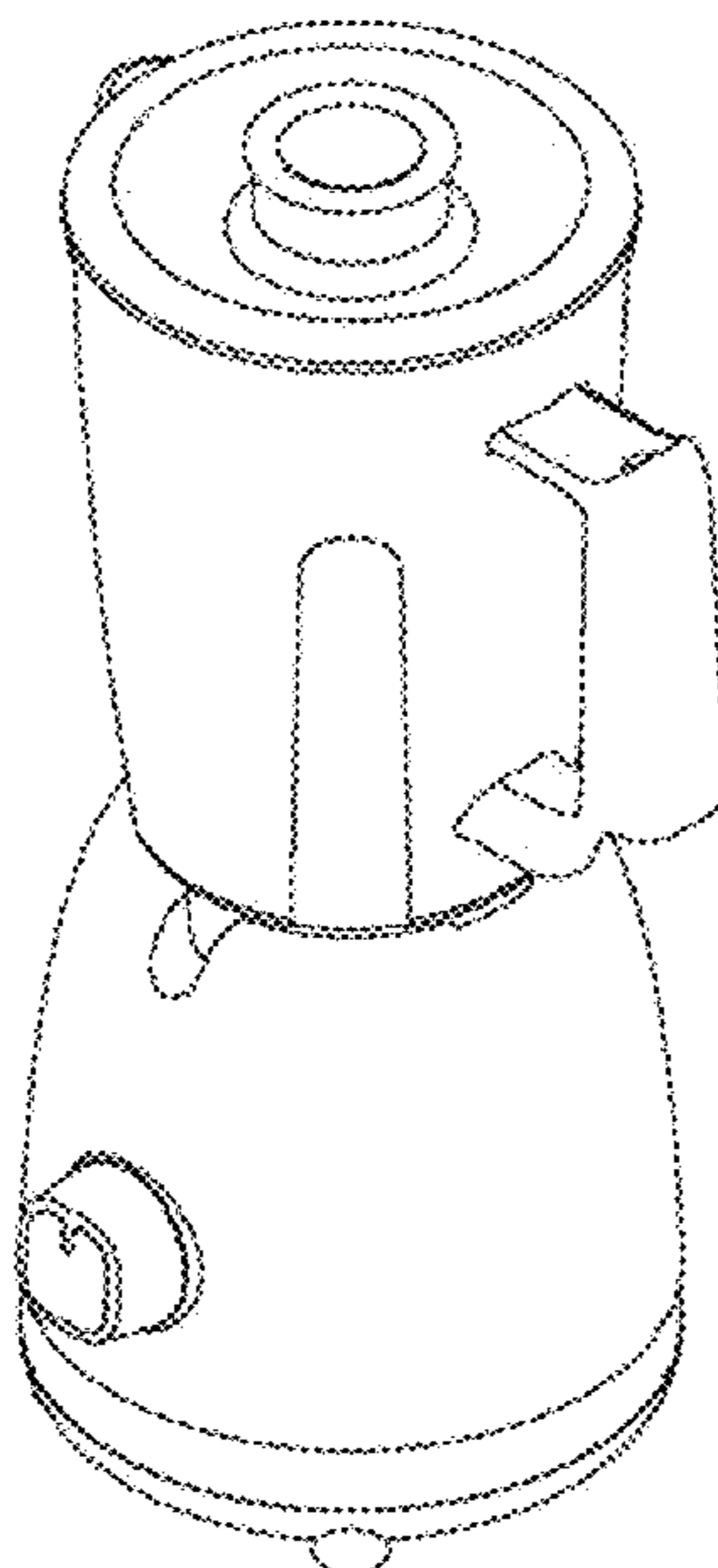
The ornamental design for an electric food processor, as shown and described.

DESCRIPTION

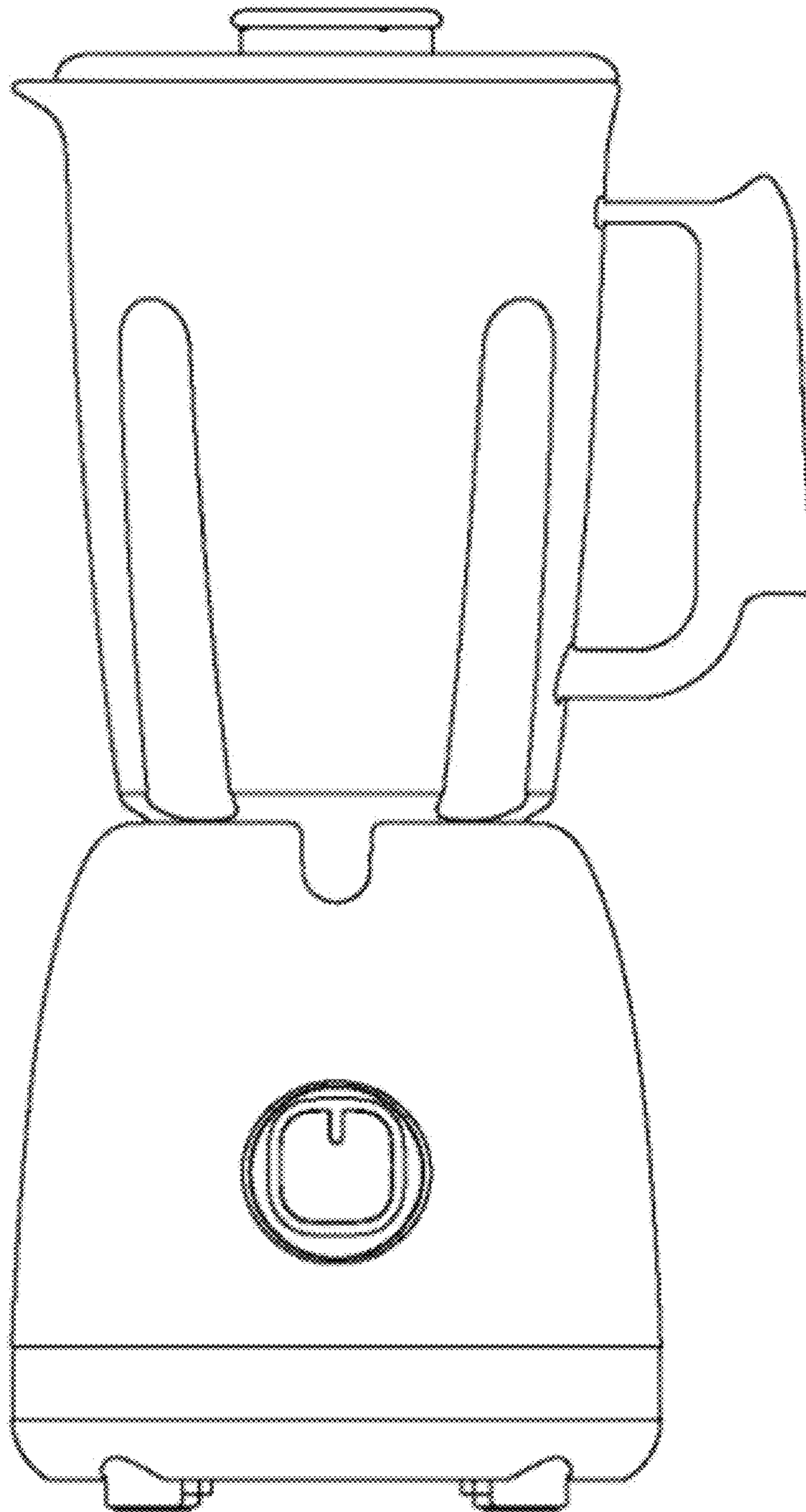
- 1. Electric food processor
- 1.1 : Left
- 1.2 : Right
- 1.3 : Front
- 1.4 : Top
- 1.5 : Bottom
- 1.6 : Perspective
- 1.7 : Back

The portions of the electric food processor shown by coloring form no part of the claimed design.

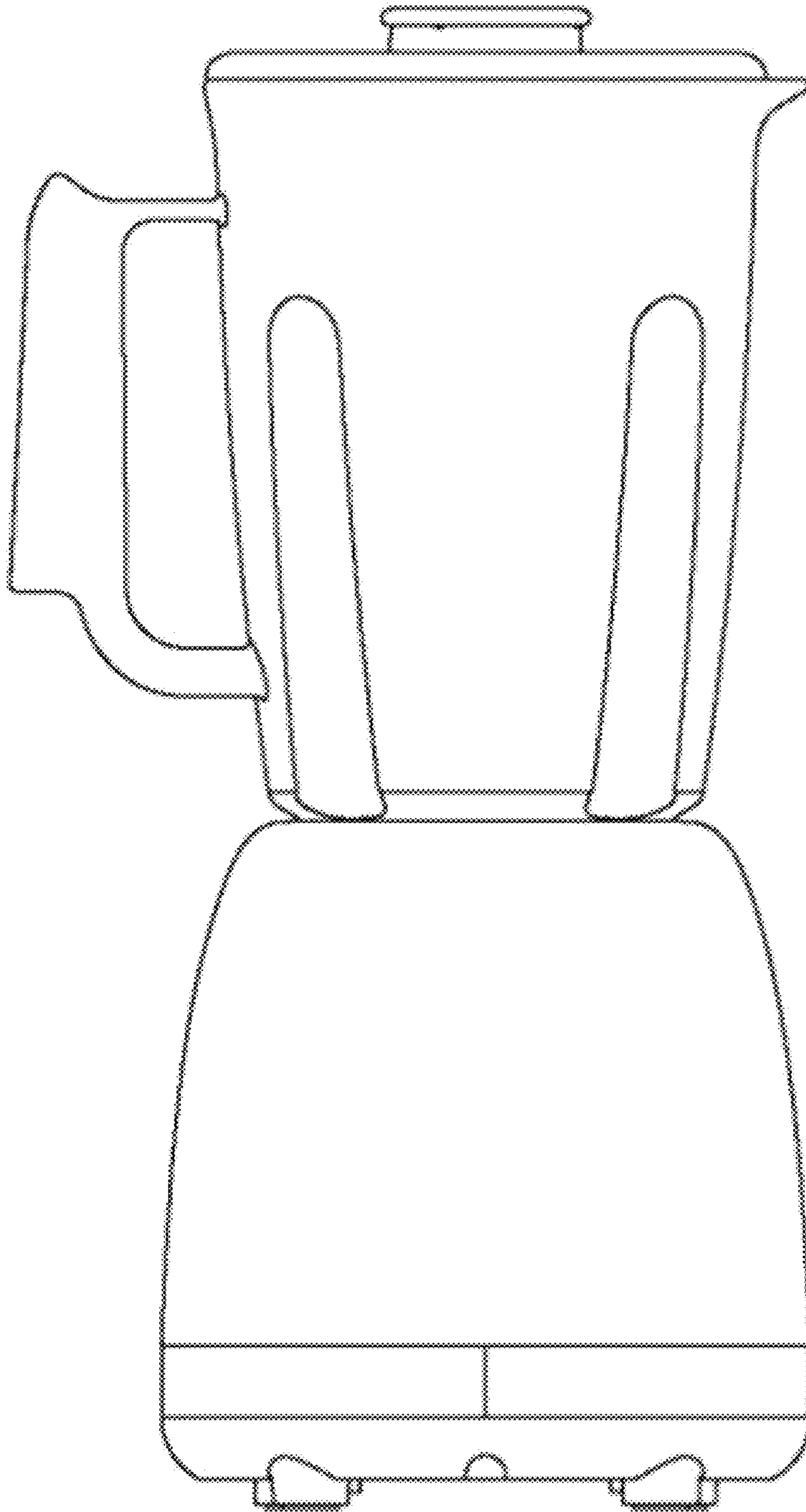
1 Claim, 7 Drawing Sheets



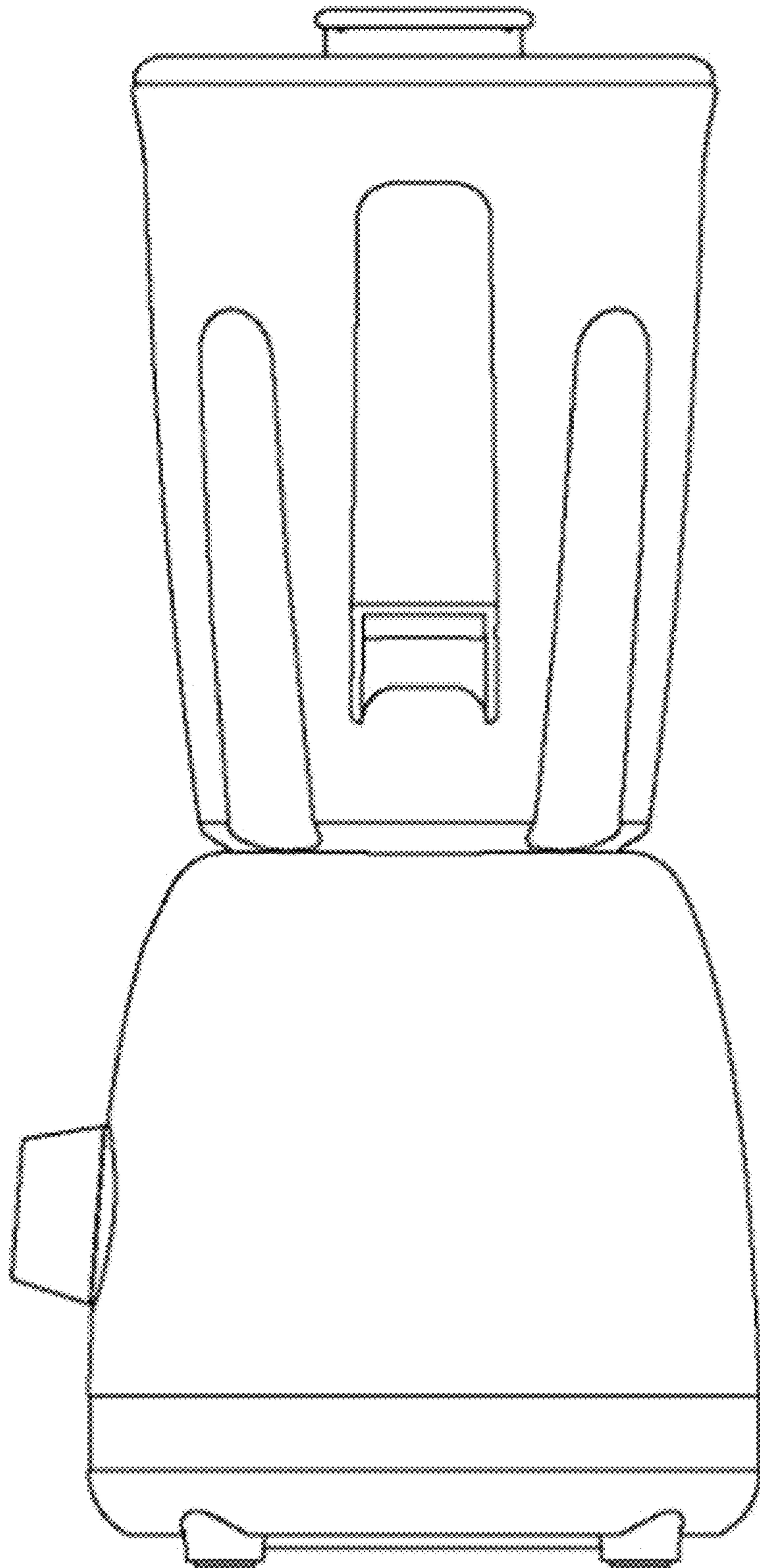
1.1



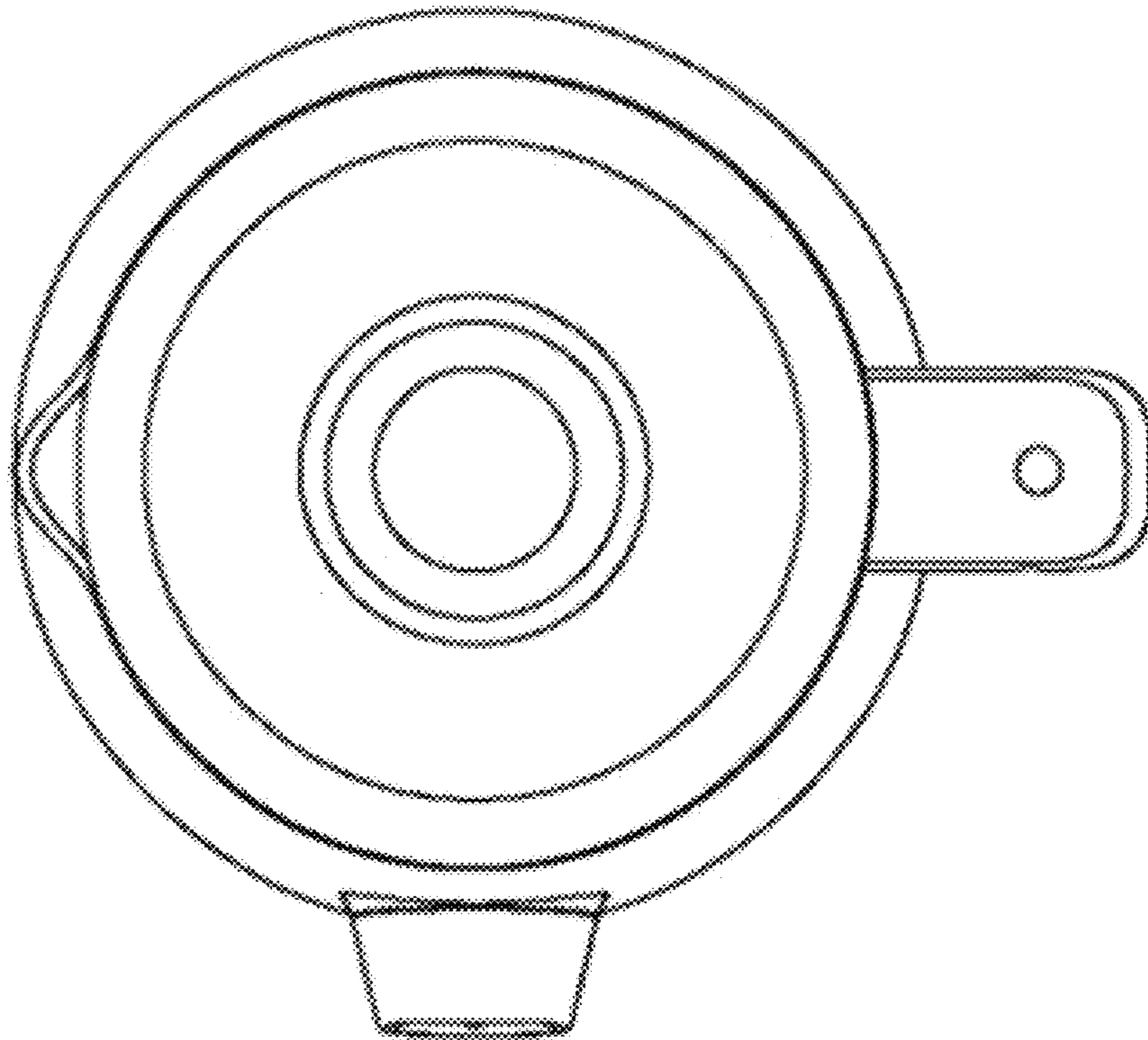
1.2



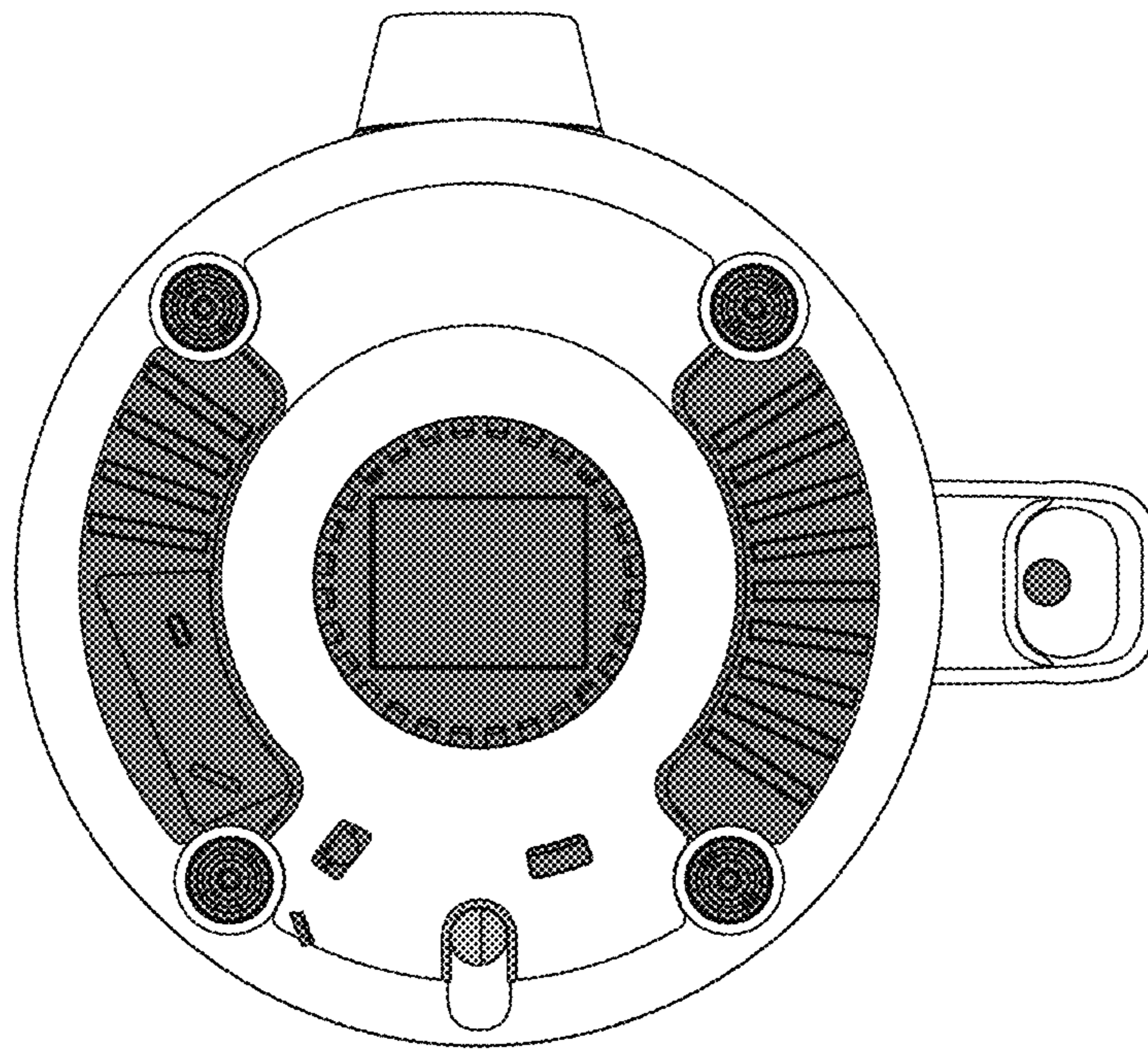
1.3



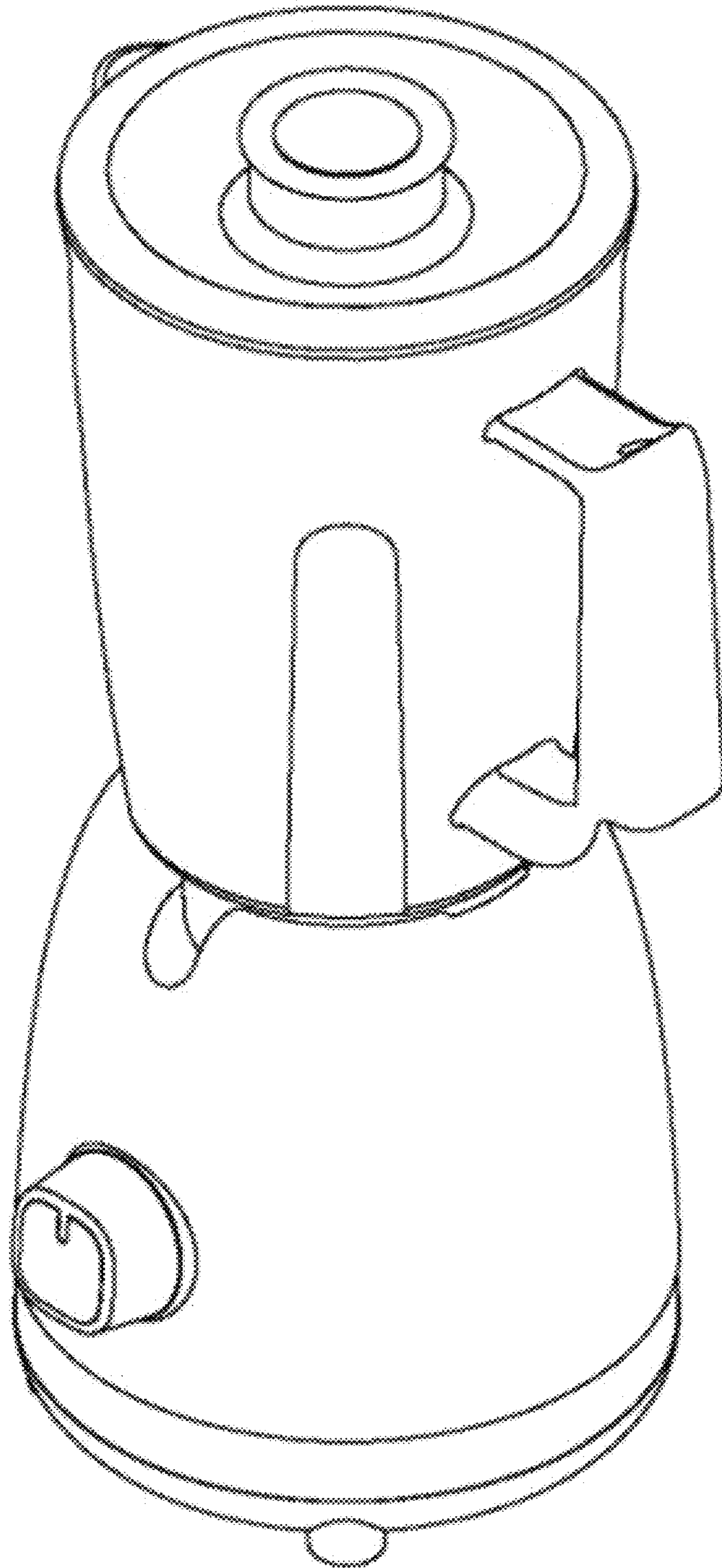
1.4



1.5



1.6



1.7

