

US00D863869S

(12) **United States Design Patent** (10) **Patent No.:** **US D863,869 S**
Perez (45) **Date of Patent:** **** Oct. 22, 2019**

(54) **COFFEE DISPENSER**

(71) Applicant: **Maribel M. Perez**, Cutler Bay, FL (US)

(72) Inventor: **Maribel M. Perez**, Cutler Bay, FL (US)

(**) Term: **15 Years**

(21) Appl. No.: **29/663,438**

(22) Filed: **Sep. 14, 2018**

(51) **LOC (12) Cl.** **31-00**

(52) **U.S. Cl.**

USPC **D7/373**; D7/372

(58) **Field of Classification Search**

USPC D7/372-373, 376-386, 412-413, 510,
D7/532, 602, 629, 665-666, 669, 679,
D7/693-694; D9/500, 504

CPC A21C 1/02; A21C 1/04; A23N 1/00; A23N
1/02; A47J 43/04; A47J 43/25; A47J
43/27; A47J 43/042; A47J 43/044; A47J
43/046; A47J 43/075; A47J 43/0722;
A47J 43/0727; B01F 3/00; B01F 3/0807;
B01F 3/0853; B01F 13/0059; B01F
13/0064; B02C 1/08; B02C 2/04; B02C
4/42; B02C 4/142; B02C 4/143; B02C
4/423; B02C 13/1835; B28C 5/10; B28C
5/12; B28C 5/14; B28C 5/16

See application file for complete search history.

(56) **References Cited**

U.S. PATENT DOCUMENTS

D121,573 S * 7/1940 Lundy D7/532
D455,324 S * 4/2002 Wright D7/679

D642,859 S * 8/2011 Cozzolino D7/372
D669,304 S * 10/2012 Bock D7/376
D679,131 S * 4/2013 Perez D7/372
D685,638 S * 7/2013 DeMarco D4/116
D790,921 S * 7/2017 Lapsker D7/510
D803,688 S * 11/2017 Christopoulos D9/500
D808,218 S * 1/2018 Seiders D7/510

* cited by examiner

Primary Examiner — Ricky Pham

(74) *Attorney, Agent, or Firm* — Albert Bordas, P.A.

(57) **CLAIM**

The ornamental design for a coffee dispenser, as shown and described.

DESCRIPTION

FIG. 1 is a top plan view of a coffee dispenser;
FIG. 2 is a front elevational view thereof;
FIG. 3 is a bottom view thereof;
FIG. 4 is a right elevational view thereof,
FIG. 5 is a rear elevational view thereof;
FIG. 6 is a left elevational view thereof; and,
FIG. 7 is an isometric view thereof, showing my design with a coffee maker filter positioned thereto to receive the ground coffee.

The broken lines represent environmental structure and form no part of the claimed design.

1 Claim, 3 Drawing Sheets

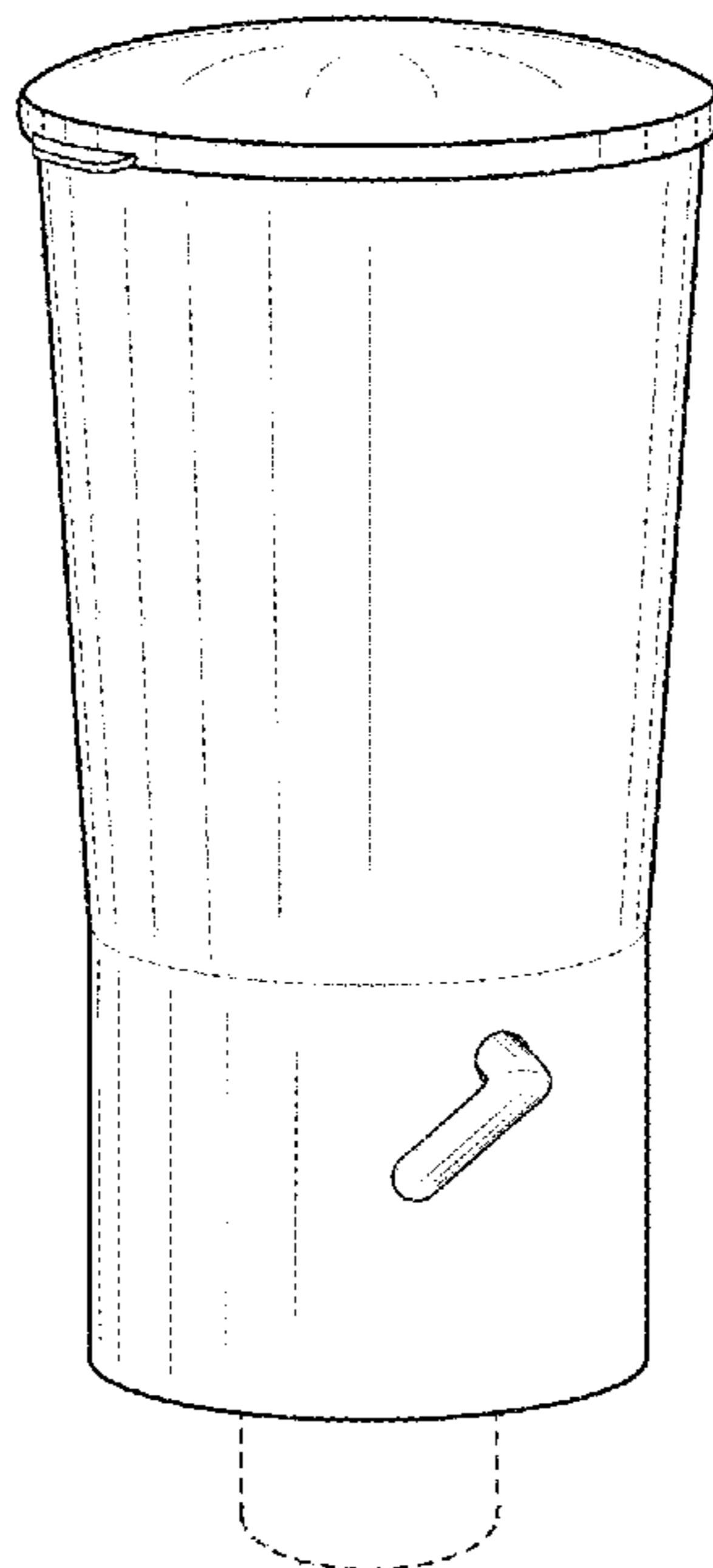


FIG. 1

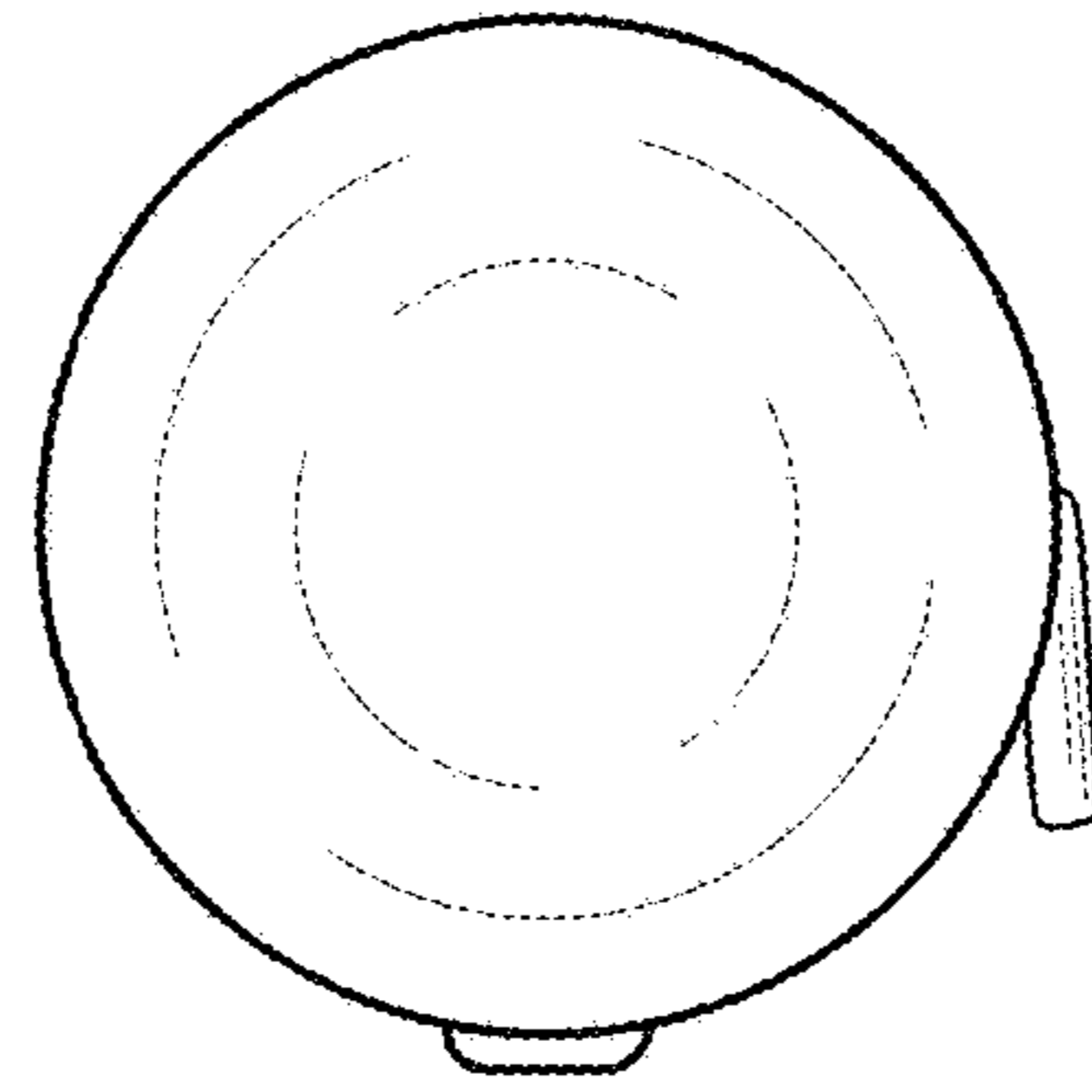


FIG. 2

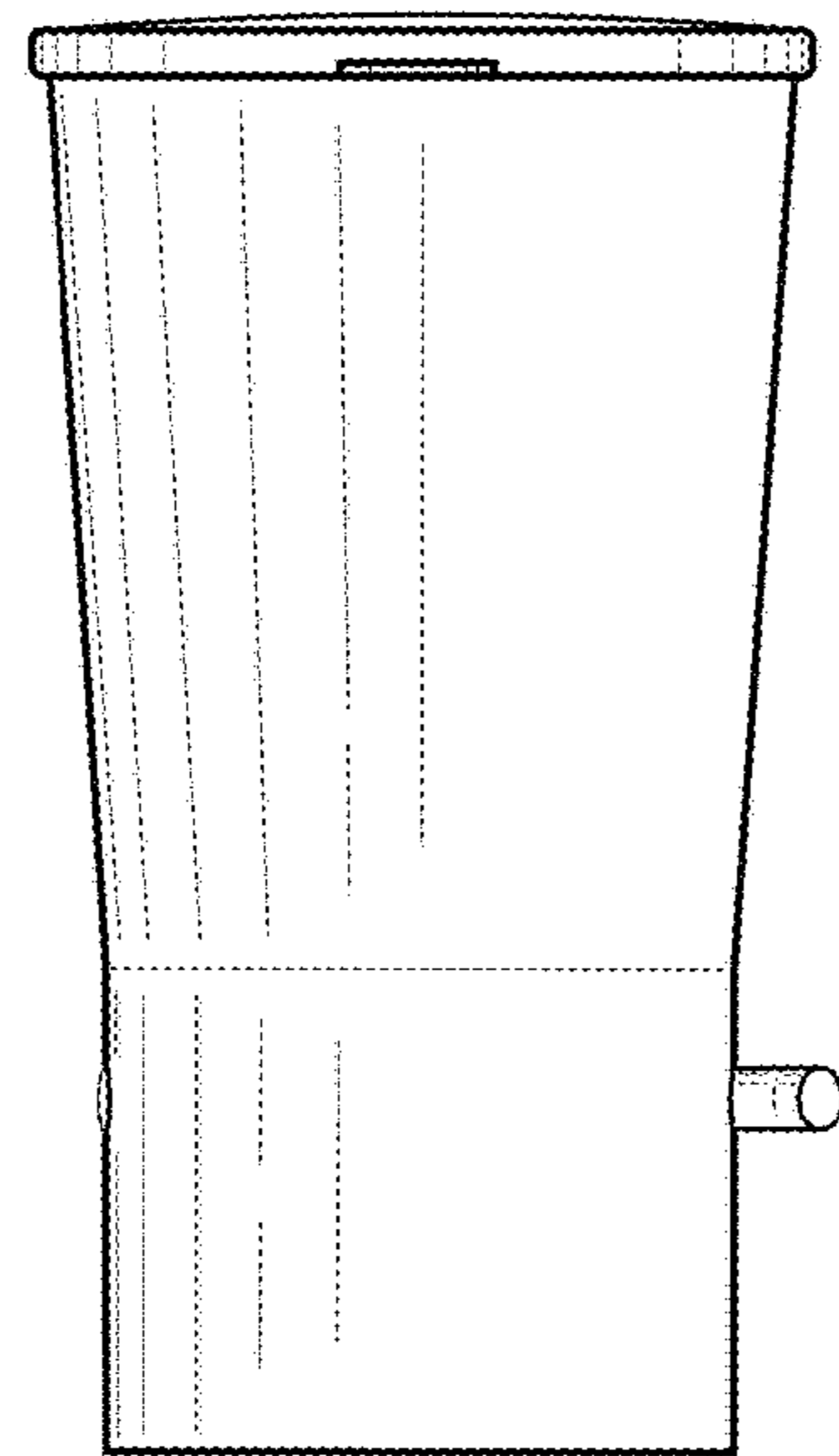
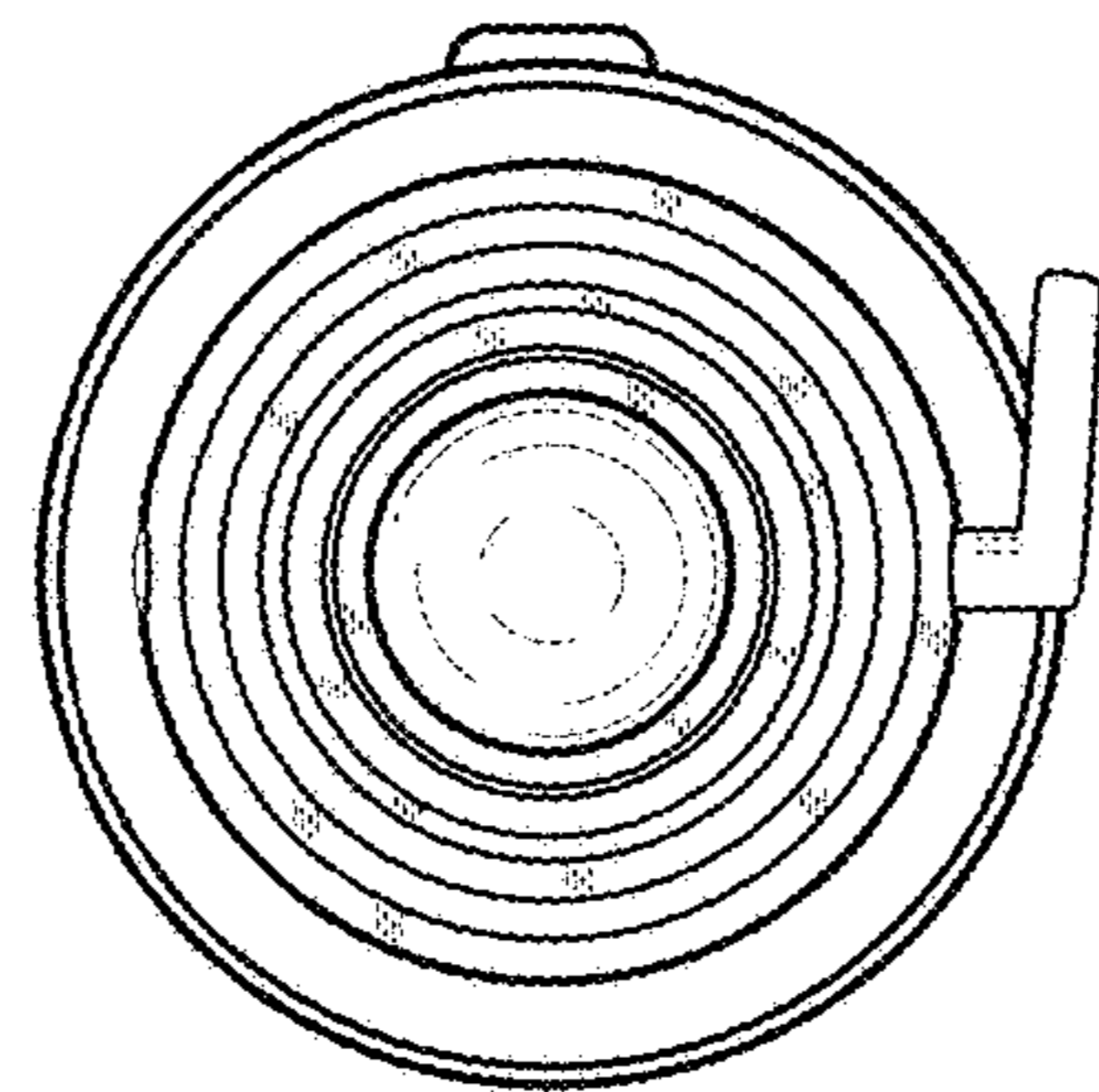


FIG. 3



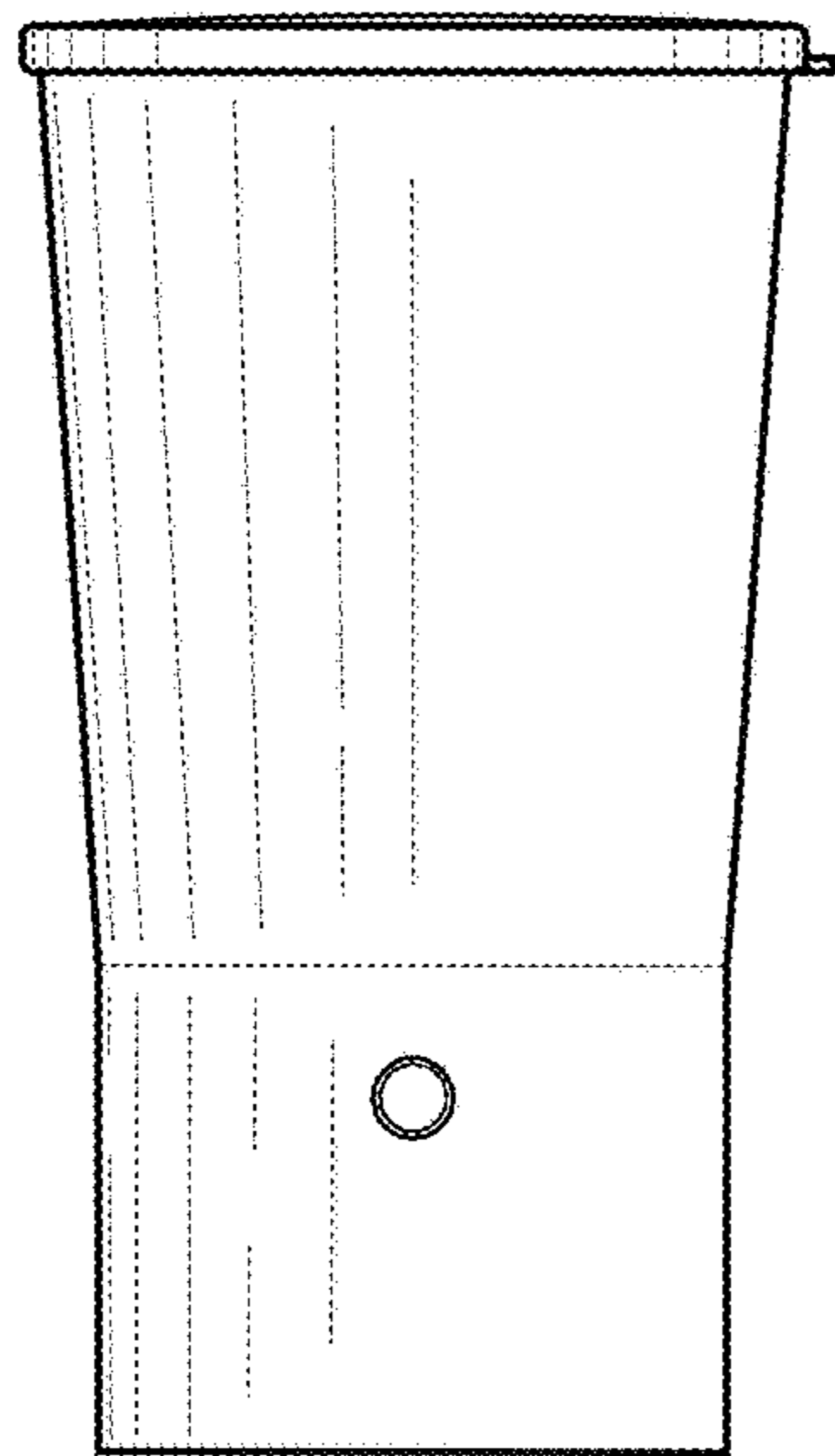


FIG. 4

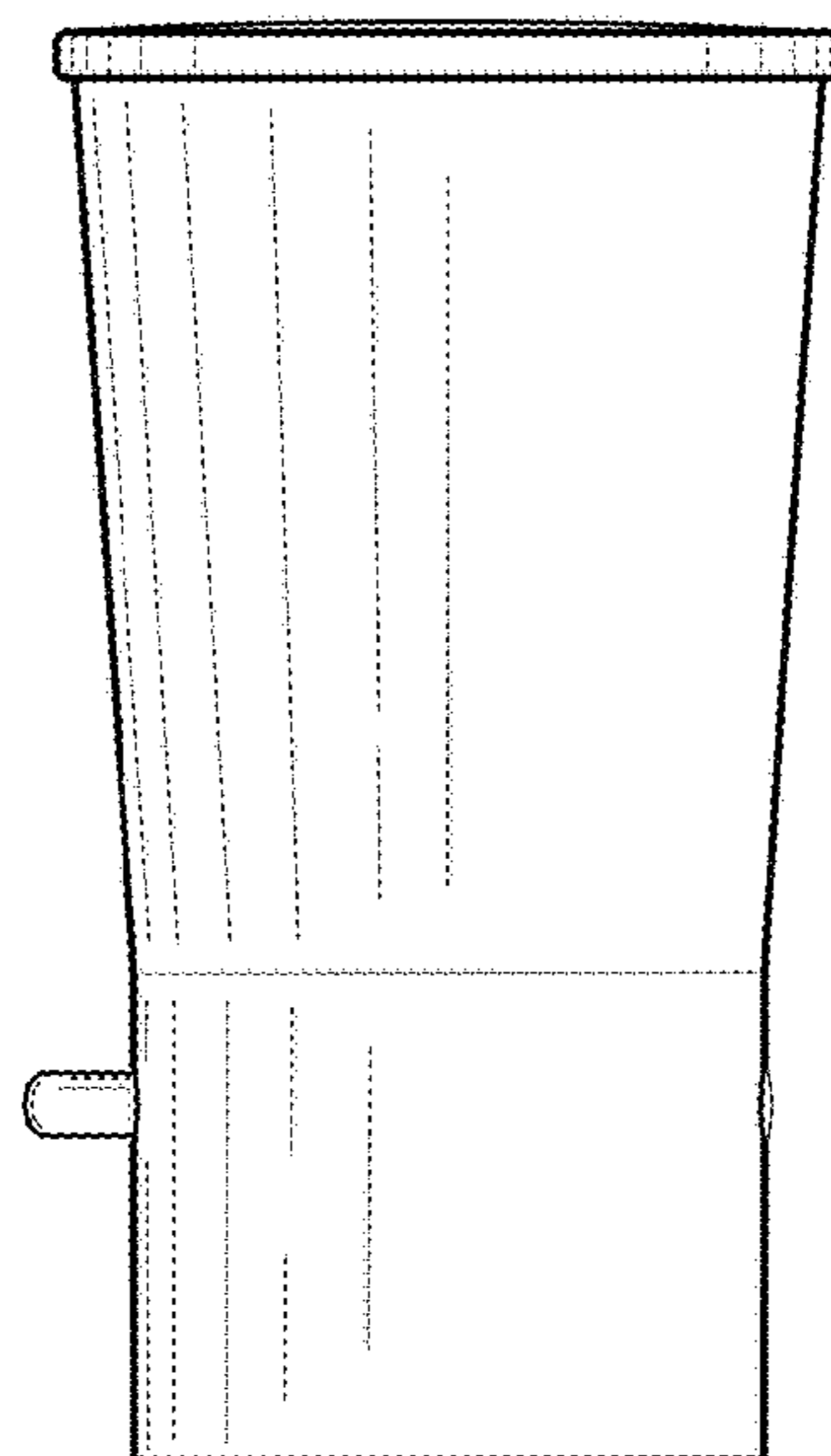


FIG. 5

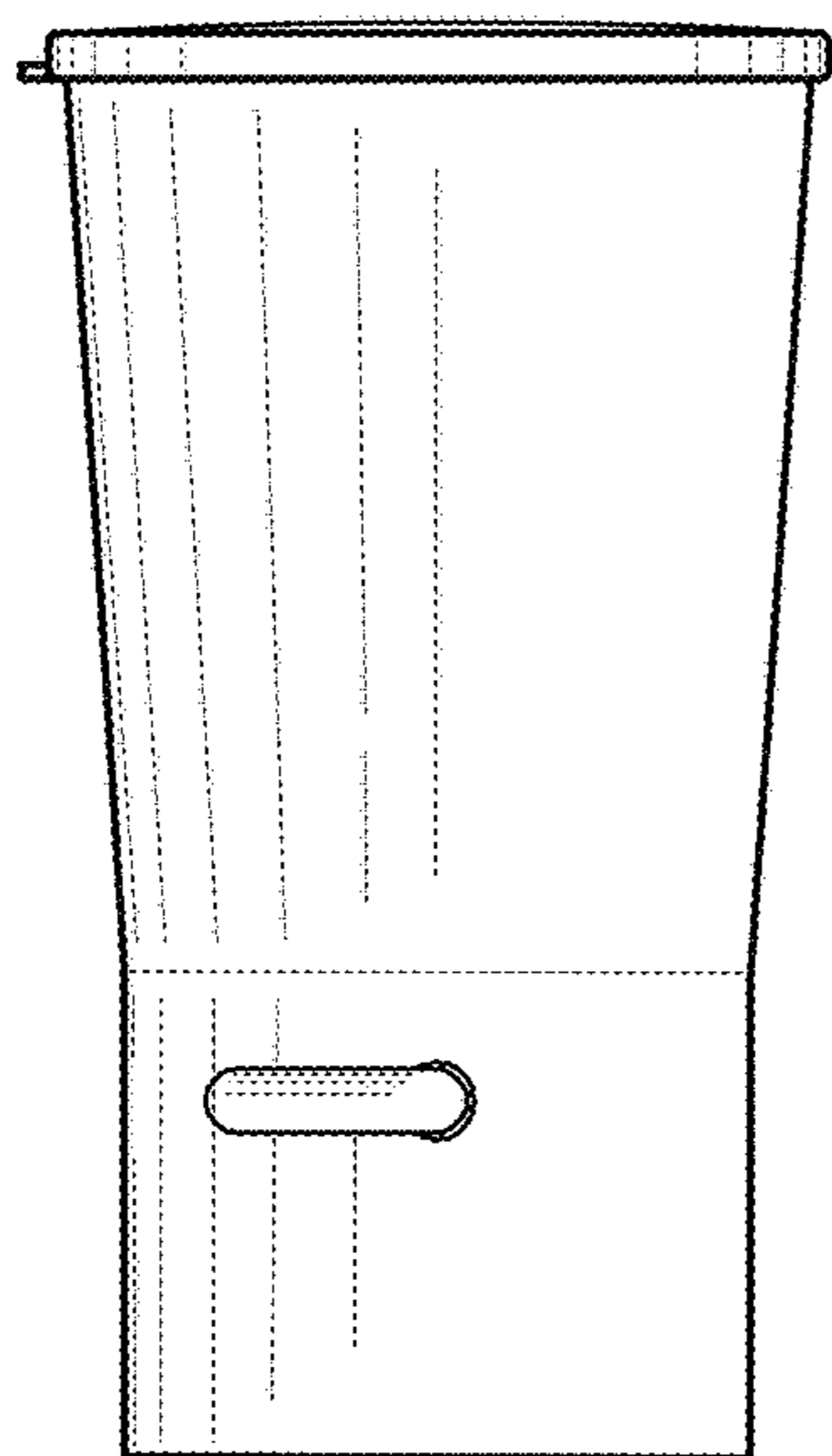


FIG. 6

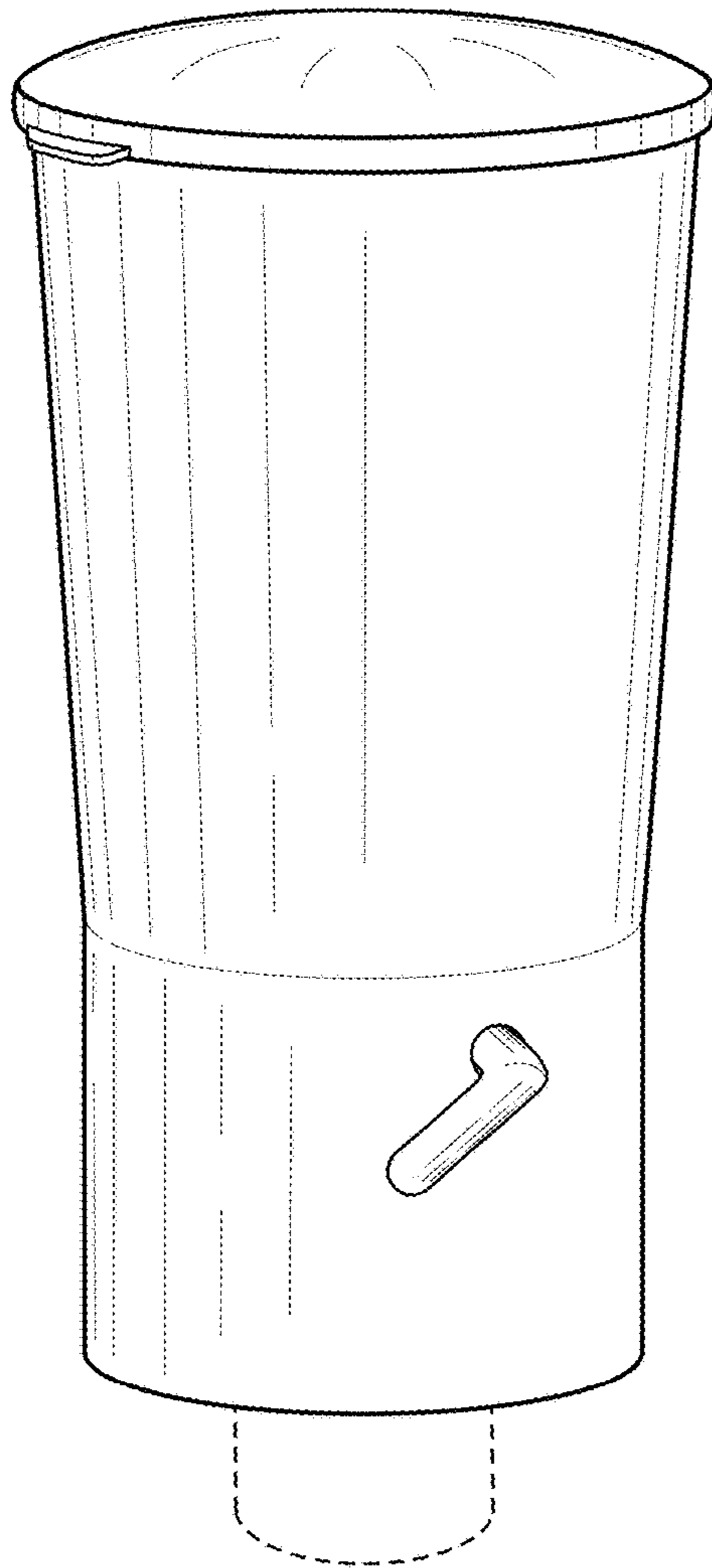


FIG. 7