



US00D863863S

(12) **United States Design Patent**
Chiofalo

(10) **Patent No.:** **US D863,863 S**
(45) **Date of Patent:** **** Oct. 22, 2019**

- (54) **ELECTRIC FRYER**
- (71) Applicant: **SEB**, Selongey (FR)
- (72) Inventor: **Jérôme Chiofalo**, Caluire et Cuire (FR)
- (73) Assignee: **SEB**, Selongey (FR)
- (**) Term: **15 Years**
- (21) Appl. No.: **29/634,162**
- (22) Filed: **Jan. 18, 2018**

- D372,832 S 8/1996 Wong
 - D418,361 S 1/2000 Utsugi
 - D452,412 S 12/2001 Jeong
 - D489,223 S 5/2004 Jung et al.
 - D604,092 S 11/2009 Kotani
- (Continued)

FOREIGN PATENT DOCUMENTS

- BR DI6904319-1 7/2010
 - BR DI7103079-4 4/2012
- (Continued)

(30) **Foreign Application Priority Data**

Jul. 20, 2017 (EM) 004112548-0002

(51) **LOC (12) Cl.** **07-02**

(52) **U.S. Cl.**
USPC **D7/354**

(58) **Field of Classification Search**
USPC D7/323, 337, 339, 340, 341, 352, 354,
D7/35, 5, 356, 357, 358, 359, 360, 361,
D7/362, 363, 364, 365, 366, 367, 393,
D7/402, 403, 407, 408, 409, 410, 411,
D7/601, 605

CPC A21B 1/06; A21B 1/50; A21B 1/52; A47J
37/04; A47J 37/06; A47J 37/015; A47J
37/067; A47J 37/0611; A47J 37/0629;
A47J 37/0676; A47J 37/108; F24C 7/06;
F24C 7/083; F24C 15/02; F24C 15/66;
H05B 3/20; H05B 3/40

See application file for complete search history.

(56) **References Cited**

U.S. PATENT DOCUMENTS

- D272,034 S 1/1984 Beugnot
- 4,649,810 A 3/1987 Wong
- 4,938,125 A 7/1990 Wong
- 4,942,807 A 7/1990 Wong
- D341,056 S 11/1993 Powell
- 5,469,782 A 11/1995 Wong

OTHER PUBLICATIONS

Tefal Actifyry Genius FZ760, no posting date given [online], retrieved May 21, 2019, retrieved from internet, <https://www.tefal.com/Cooking-appliances/Fryers/Oiless-Fryers/ACTIFRY-GENIUS-FZ760/p/1510001336><<https://www.tefal.com/cooking-appliances/fryers/oiless-fryers/actifyry-genius-fz760/p/1510001336>>

Primary Examiner — Barbara Fox
Assistant Examiner — Messina L Smith
(74) *Attorney, Agent, or Firm* — Loeb & Loeb LLP

(57) **CLAIM**

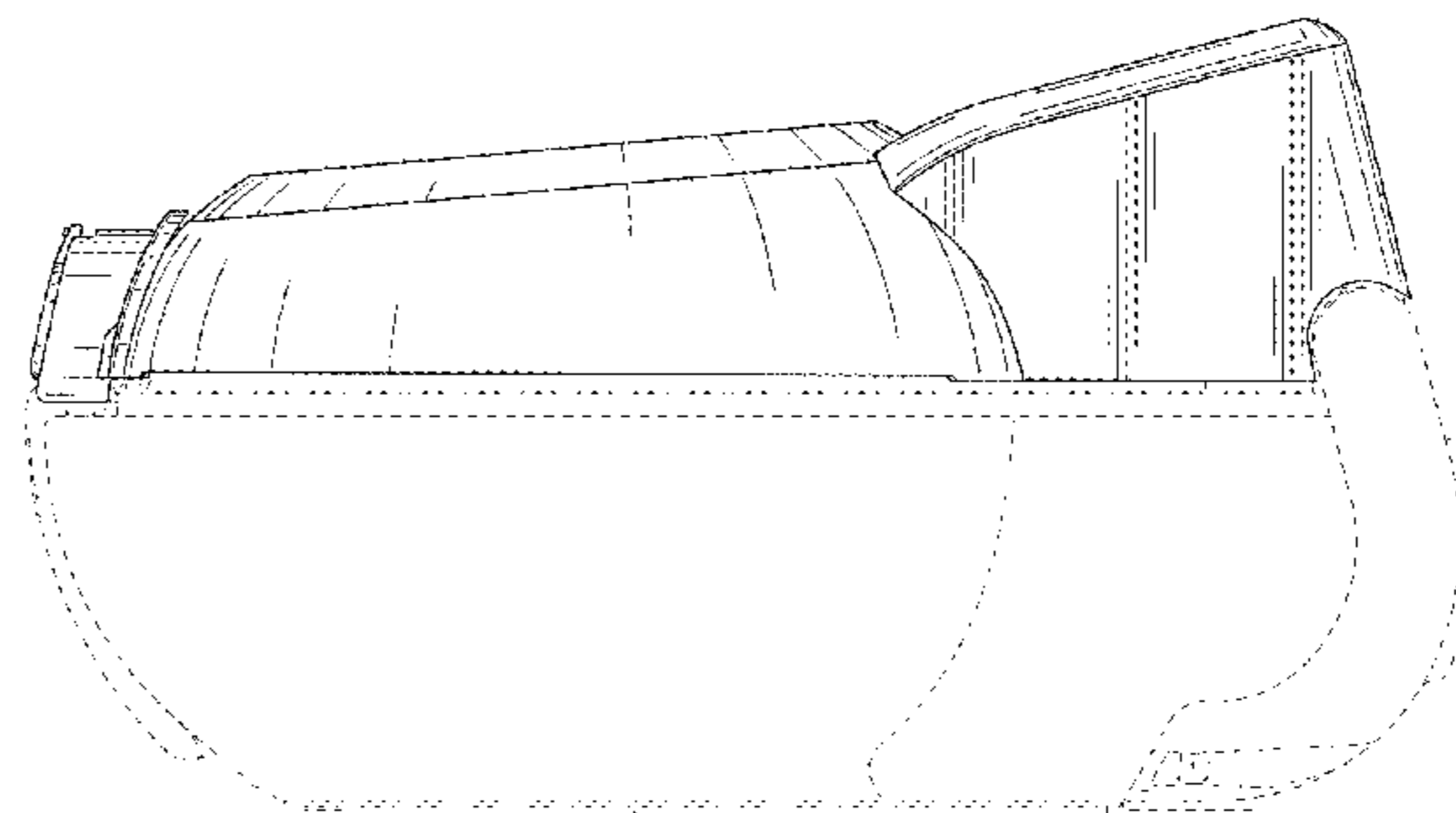
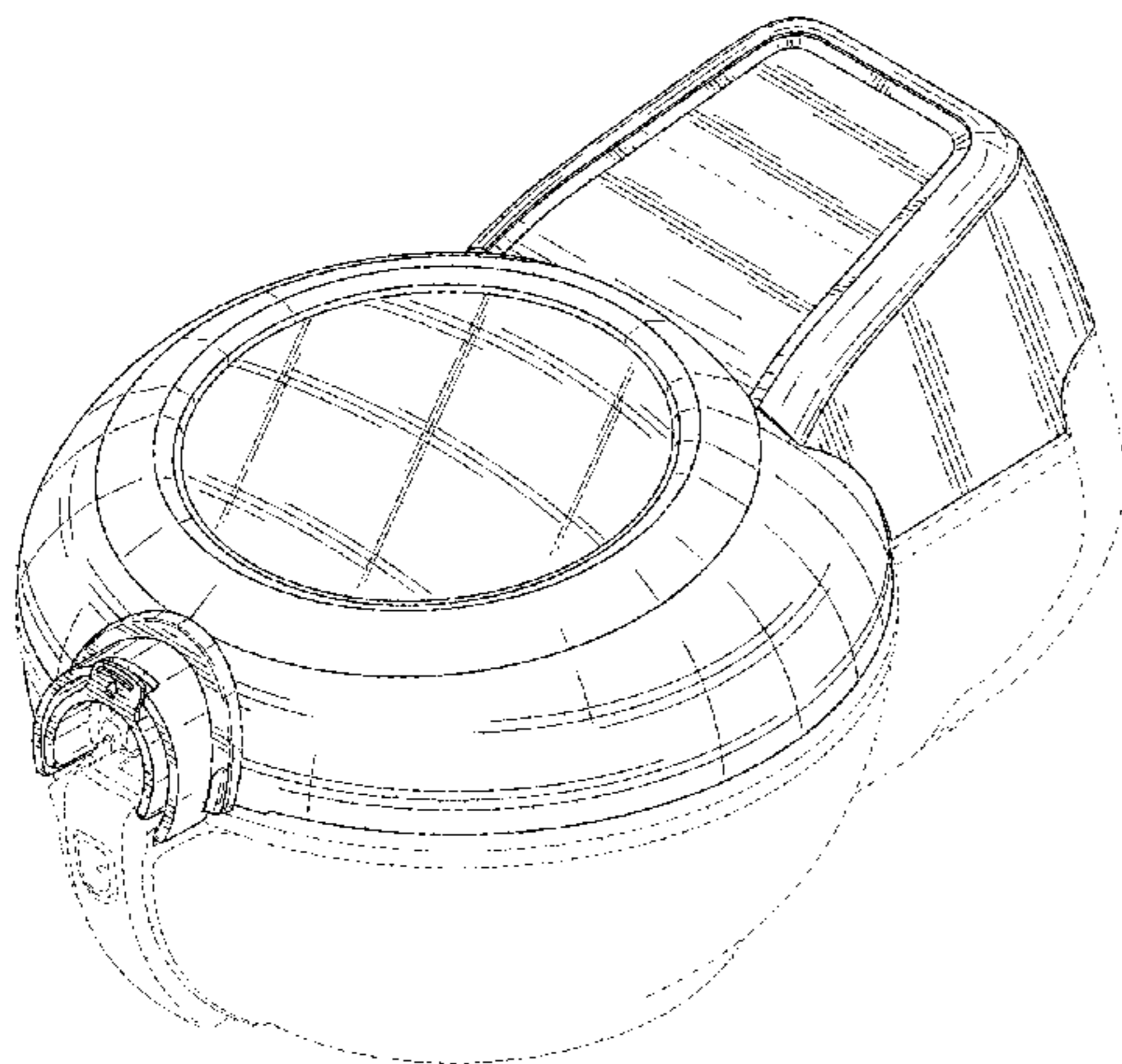
The ornamental design for an electric fryer, as shown and described.

DESCRIPTION

FIG. 1 is a perspective view of an electric fryer showing my new design;
FIG. 2 is a front elevational view thereof;
FIG. 3 is a back elevational view thereof;
FIG. 4 is a right side elevational view thereof;
FIG. 5 is a left side elevational view thereof;
FIG. 6 is a top view thereof; and,
FIG. 7 is a bottom view thereof.

The broken lines are shown for the purpose of illustrating parts of the electric fryer that form no part of the claimed design.

1 Claim, 7 Drawing Sheets



(56)

References Cited

U.S. PATENT DOCUMENTS

D622,093 S 8/2010 Reiner
 D632,128 S 2/2011 Lam
 D638,251 S 5/2011 Josancy
 D641,586 S 7/2011 Martin
 7,993,694 B2 8/2011 Goderiaux et al.
 D655,971 S 3/2012 Reiner
 D664,801 S 8/2012 Reiner
 D700,471 S 3/2014 Jozancy
 D710,149 S * 8/2014 Josancy D7/405
 D715,087 S 10/2014 Nguyen Geslin
 D715,089 S * 10/2014 Jozancy D7/354
 9,301,644 B2 * 4/2016 Payen A47J 37/0641
 D788,516 S * 6/2017 Jozancy D7/354
 D789,730 S * 6/2017 Jozancy D7/354
 D807,108 S * 1/2018 Borovicka D7/362
 D830,103 S * 10/2018 Cao D7/354
 D832,638 S * 11/2018 Hiltenbrand D7/358
 2004/0065211 A1 4/2004 McNair
 2008/0163764 A1 * 7/2008 Payen A47J 37/043
 99/447
 2008/0213447 A1 9/2008 Payen et al.
 2011/0185917 A1 * 8/2011 Goderiaux A47J 36/165
 99/348
 2014/0000462 A1 * 1/2014 Payen A47J 36/165
 99/348

FOREIGN PATENT DOCUMENTS

CA 132458 8/2010
 CA 140923 1/2012

CN ZL 200630015113.5 5/2007
 CN ZL 200930193213.0 4/2010
 CN ZL 201130198632.0 11/2011
 CN ZL 201130198635.4 11/2011
 CN ZL 201130436071.3 5/2012
 CN ZL 201230622105.2 12/2012
 CN ZL 201230622099.0 4/2013
 CN ZL 201230645244.7 4/2013
 EM 000512298-0001 4/2006
 EM 0001162804-0001 9/2009
 EM 001278931-0001 6/2011
 EM 001278949-0001 6/2011
 EM 001330815-0001 6/2012
 EM 001333116-0001 7/2012
 EM 002187088-0001 2/2013
 EM 002263319-0001 6/2013
 EM 002263319-0002 6/2013
 EM 001385231-0001 9/2013
 EM 001385231-0002 9/2013
 FR 05 6340 2/2006
 FR 09 2453 7/2009
 FR 11 1074 4/2011
 FR 11 1075 4/2011
 RU 81139 3/2012
 RU 81680 5/2012
 SA 2194 4/2012
 TR 2009-05410 11/2009
 TR 2011-05305 8/2011
 TR 2011-05307 8/2011
 TR 2012-07819 4/2013

* cited by examiner

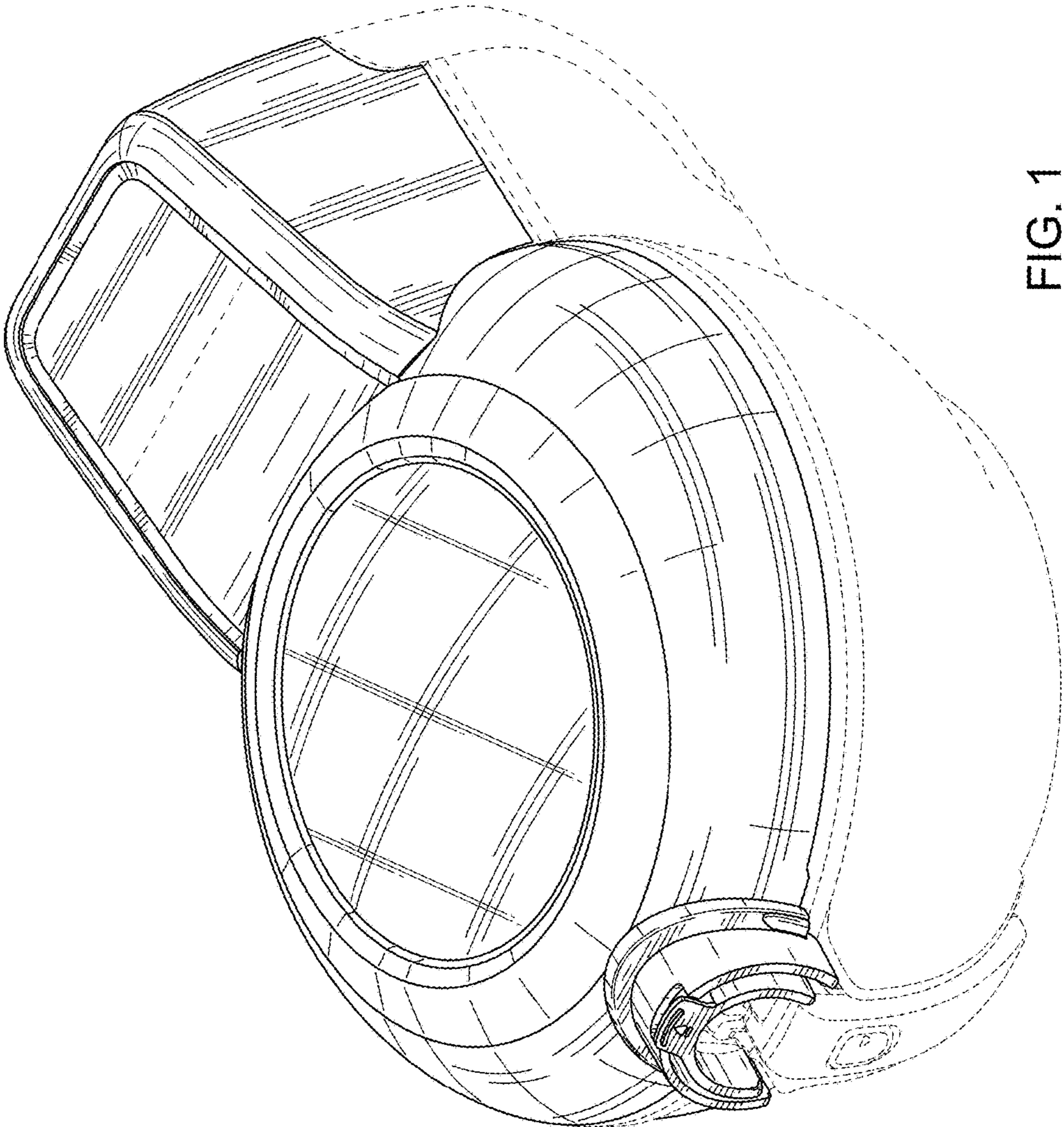


FIG. 1

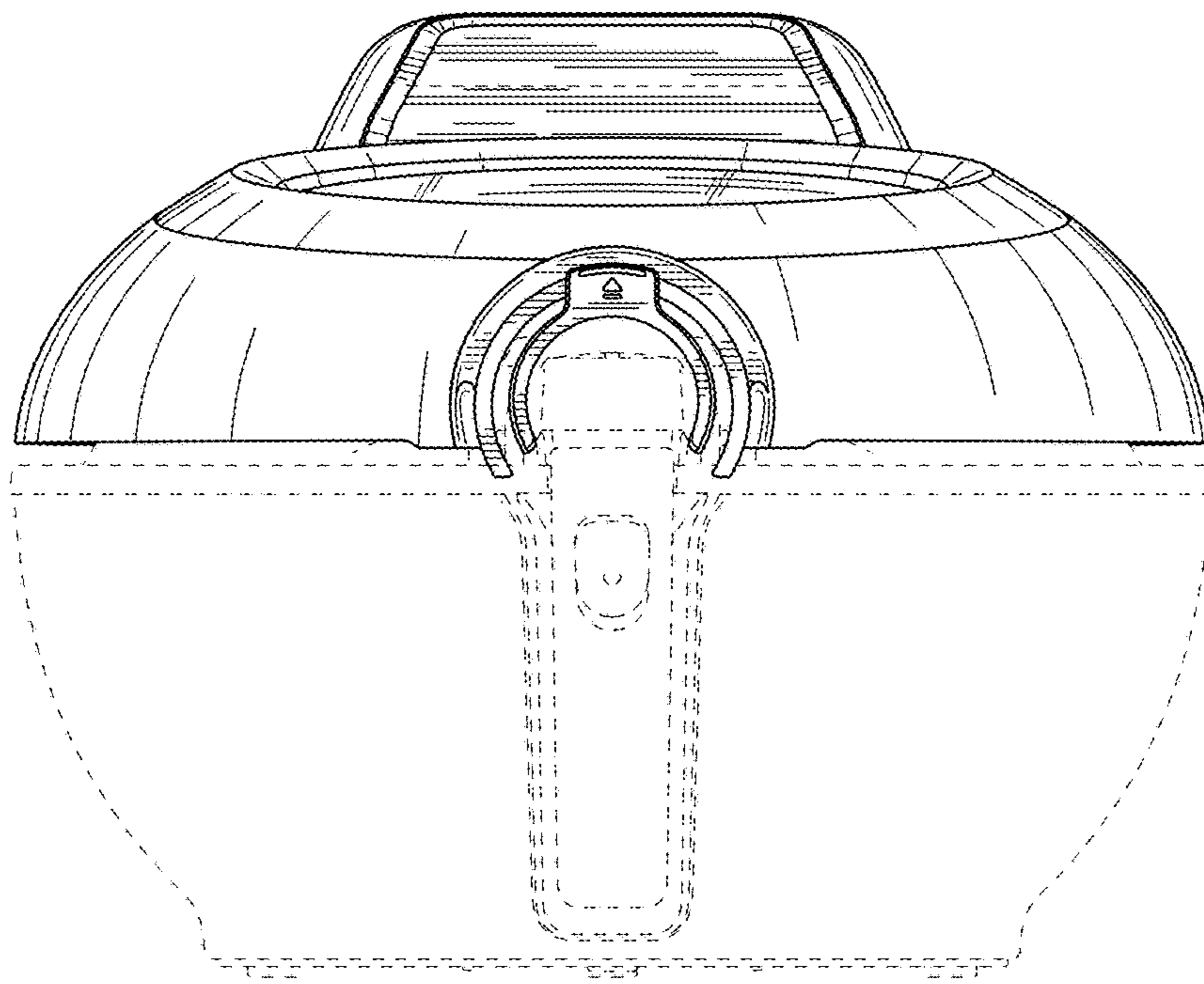


FIG. 2

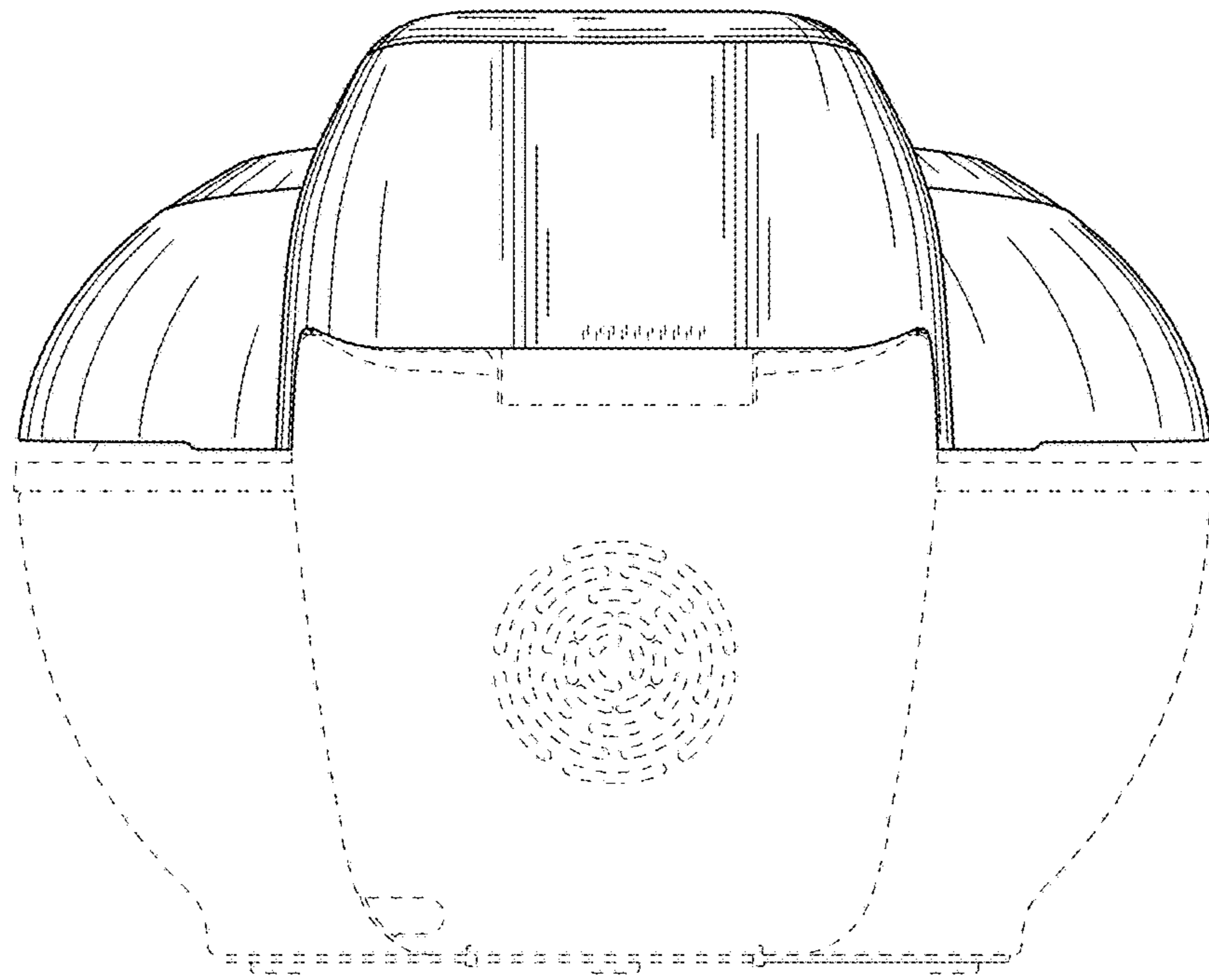


FIG. 3

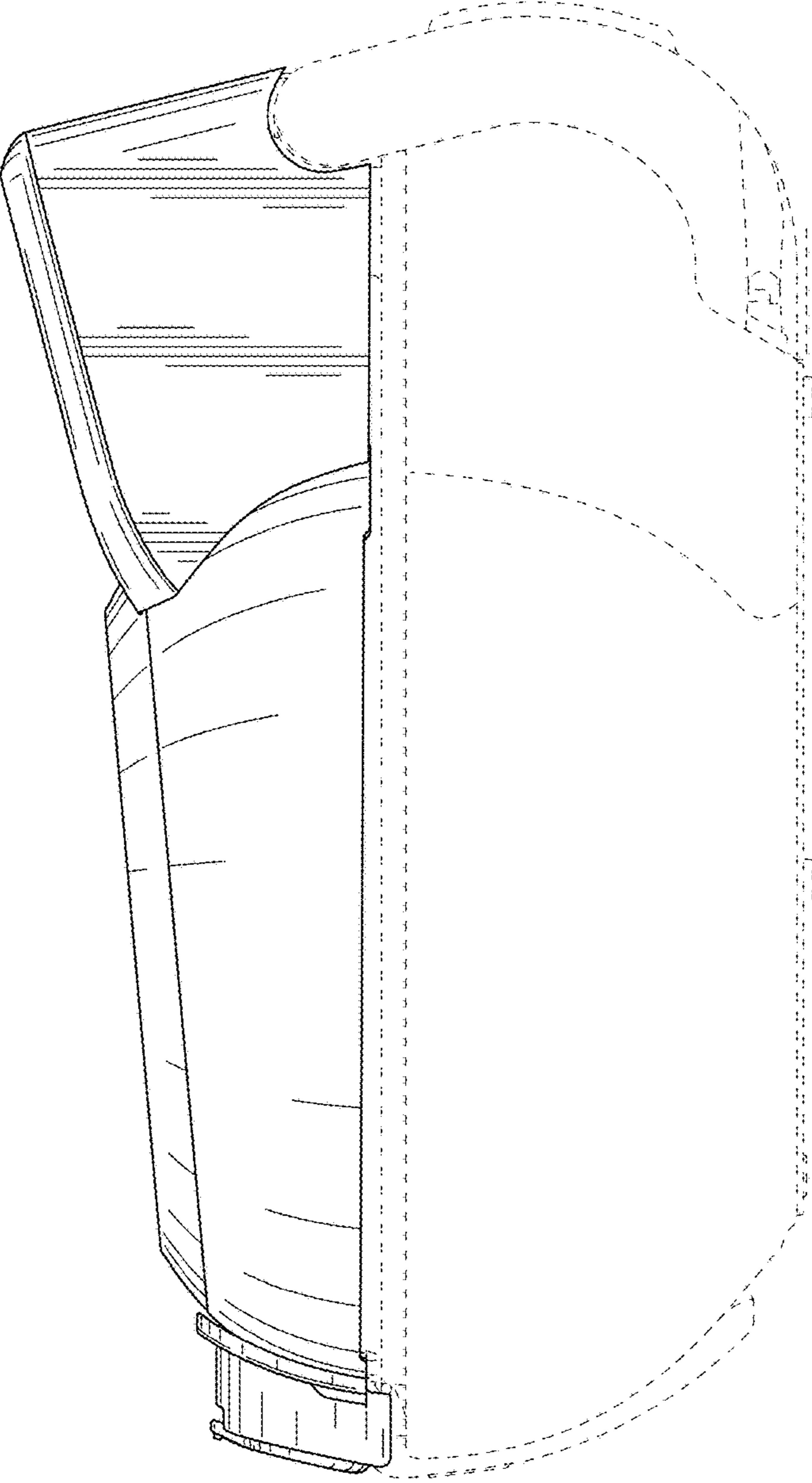


FIG. 4

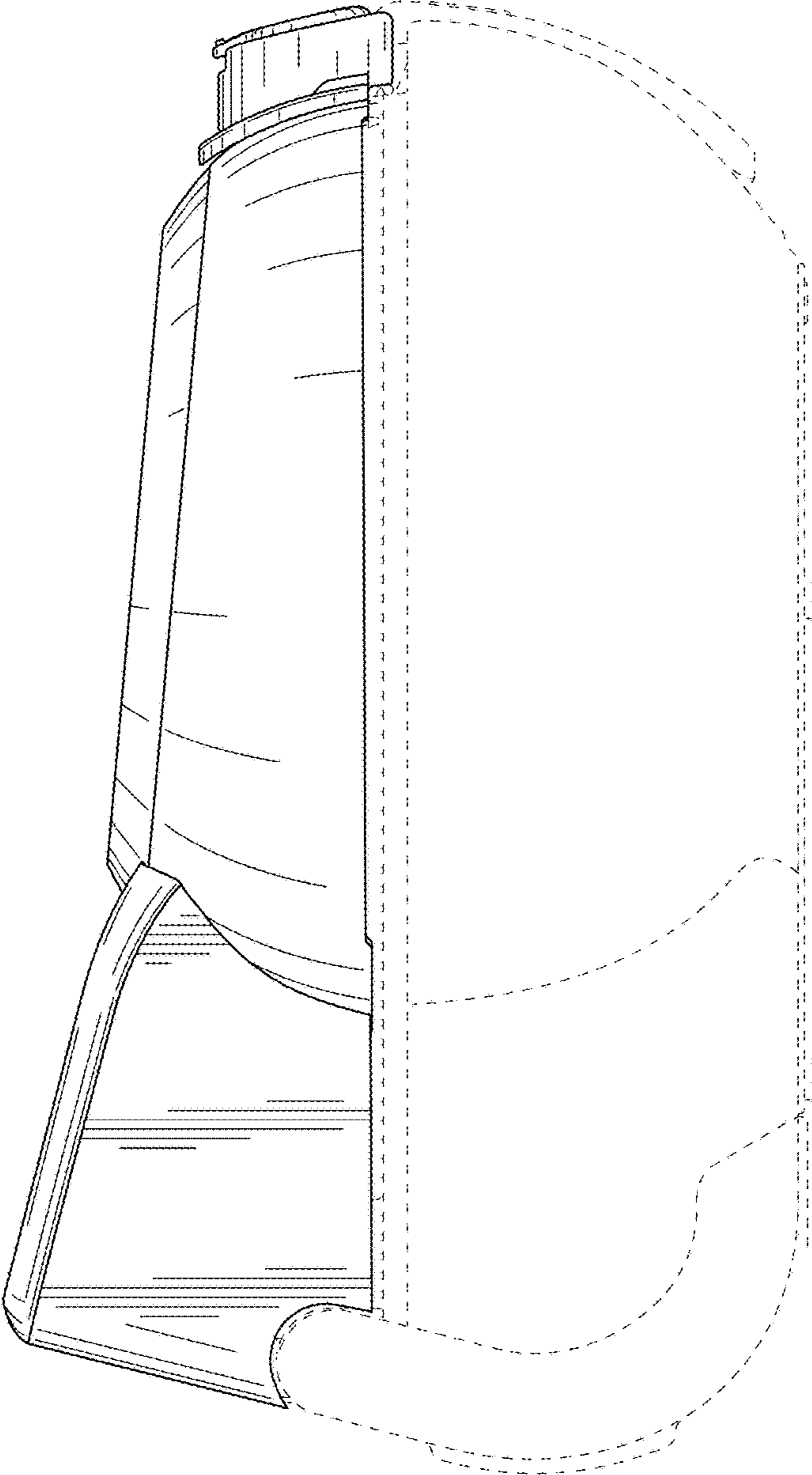


FIG. 5

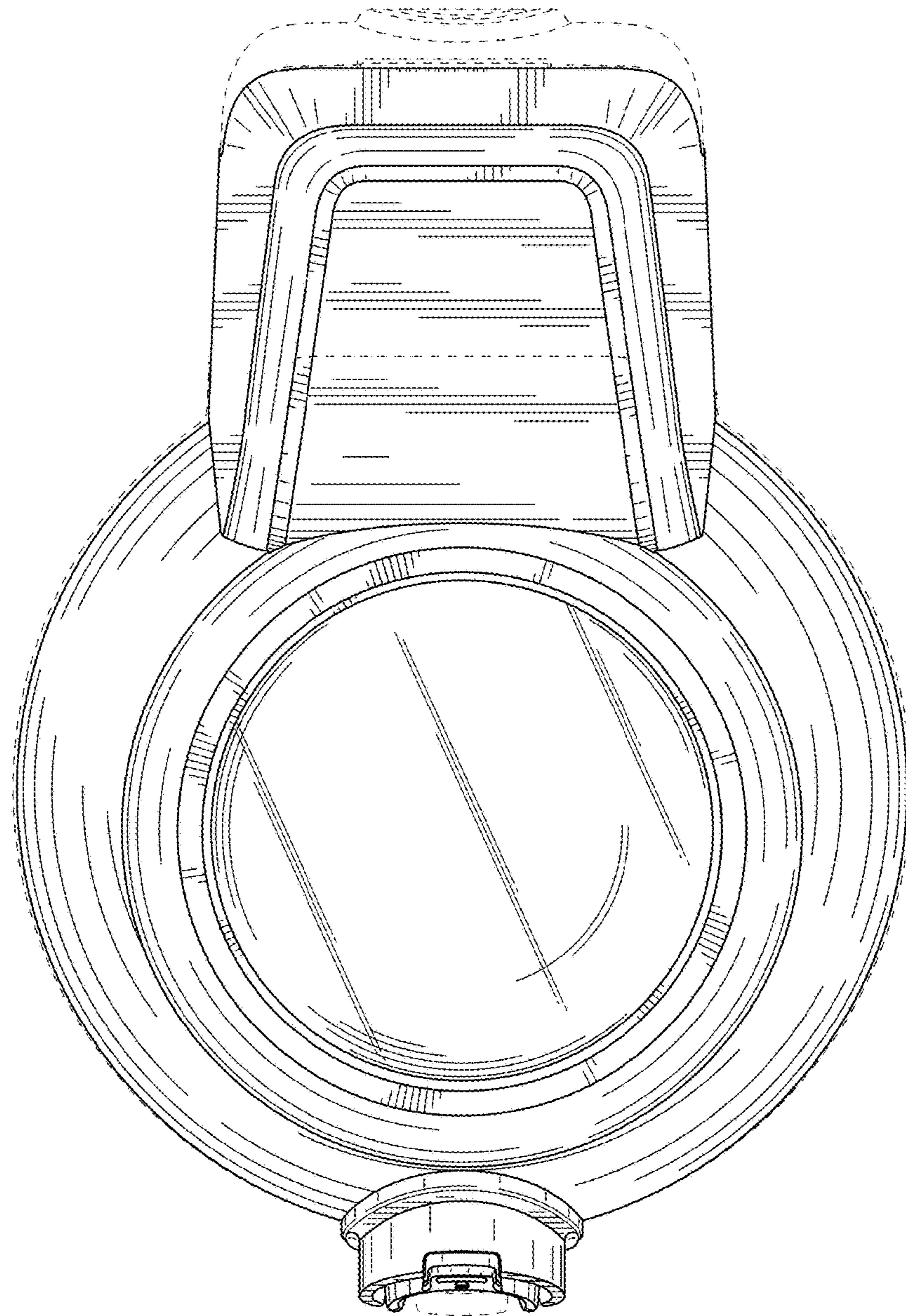


FIG. 6

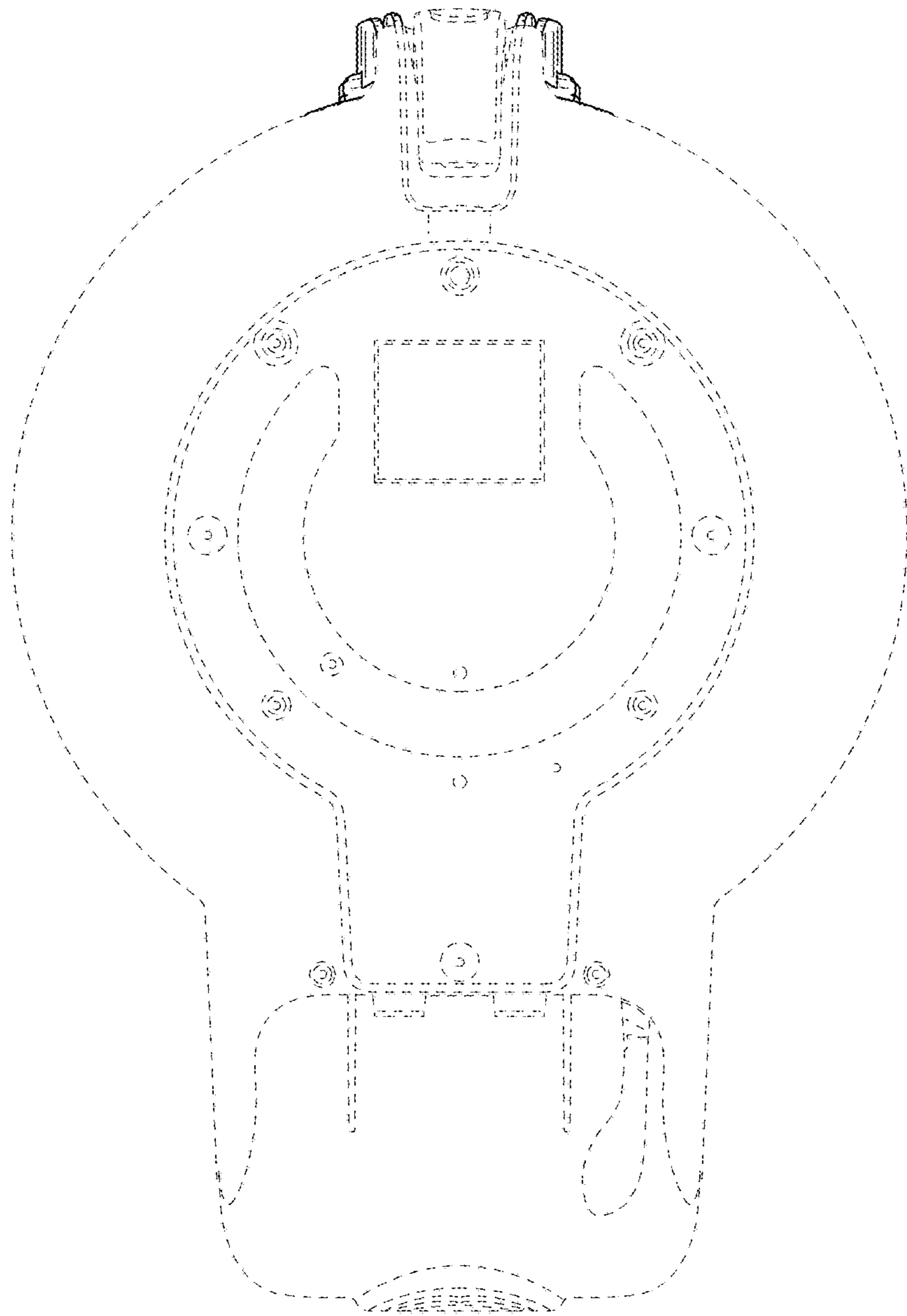


FIG. 7