



US00D863861S

(12) **United States Design Patent**
Lim et al.

(10) **Patent No.:** **US D863,861 S**
(45) **Date of Patent:** **** Oct. 22, 2019**

(54) **BUILT-IN SOUS-VIDE COOKER**

(71) Applicant: **LG ELECTRONICS INC.**, Seoul (KR)

(72) Inventors: **Jaemyung Lim**, Seoul (KR); **Inhwan Ryu**, Seoul (KR); **Yoonji Lee**, Seoul (KR); **Hanjin Jung**, Seoul (KR); **Sangwoog Cho**, Seoul (KR)

(73) Assignee: **LG ELECTRONICS INC.**, Seoul (KR)

(**) Term: **15 Years**

(21) Appl. No.: **35/505,349**

(22) Filed: **Jan. 19, 2018**

(80) **Hague Agreement Data**

Int. Filing Date: **Jan. 19, 2018**

Int. Reg. No.: **DM/099545**

Int. Reg. Date: **Jan. 19, 2018**

Int. Reg. Pub. Date: **Jul. 20, 2018**

(30) **Foreign Application Priority Data**

Jul. 21, 2017 (KR) 30-2017-0033807

(51) **LOC (12) Cl.** **07-02**

(52) **U.S. Cl.**
USPC **D7/346**

(58) **Field of Classification Search**
USPC D7/356, 346-347, 355, 357, 362

(Continued)

(56) **References Cited**

U.S. PATENT DOCUMENTS

D568,673 S * 5/2008 Tanaka D7/346

D609,960 S * 2/2010 Cutino D7/346

(Continued)

Primary Examiner — Michael A. Pratt

(74) *Attorney, Agent, or Firm* — Birch, Stewart, Kolasch & Birch, LLP

(57) **CLAIM**

The ornamental design for a built-in sous-vide cooker, as shown and described.

DESCRIPTION

1. Built-in sous-vide cooker

1.1 : Perspective

1.2 : Front

1.3 : Back

1.4 : Left

1.5 : Top

1.6 : Bottom

1.7 : Perspective view 2

1.8 : Front view 2

1.9 : Back view 2

1.10 : Left view 2

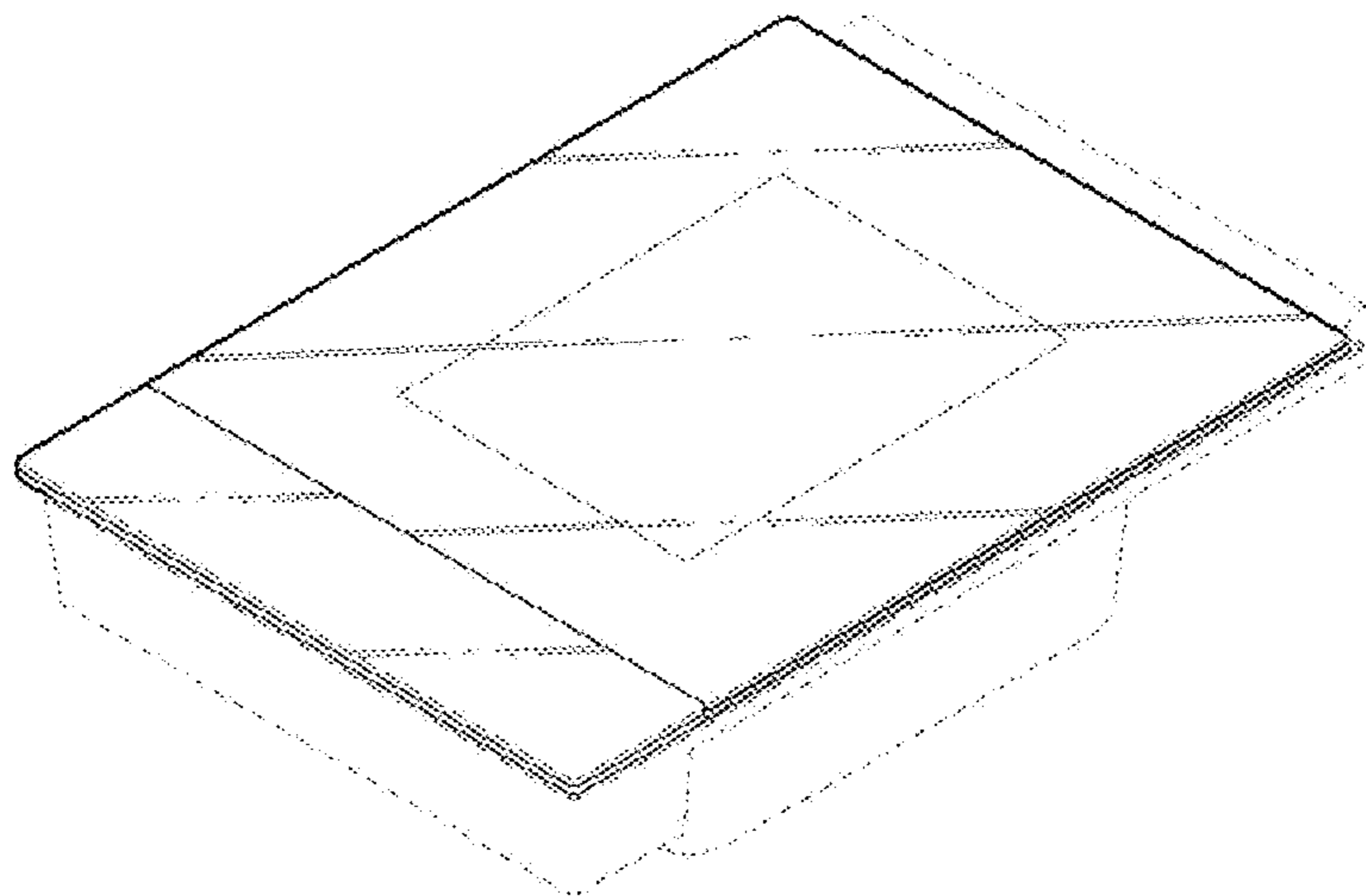
1.11 : Top view 2

1.12 : Bottom view 2

1.13 : Reference view

The broken lines depict portions of the built-in sous-vide cooker that form no part of the claimed design; the dash-dot broken lines define the boundary of the claimed design and form no part thereof; reproduction 1.1 is a front perspective view of the built-in sous-vide cooker; reproduction 1.2 is a front view thereof; reproduction 1.3 is a back view thereof; reproduction 1.4 is a left view thereof where the right view is a mirror image; reproduction 1.5 is a top view thereof; reproduction 1.6 is a bottom view thereof; reproduction 1.7 is front perspective view thereof in a condition that the top cover has been opened; reproduction 1.8, 1.9, 1.10, 1.11 and 1.12 are front, back, left, top and bottom views of reproduction 1.7; reproduction 1.13 is a reference view in which the claimed design is installed, part of the claimed design; this design is for a built-in sous-vide cooker with a touch panel for easy control at the upper front part.

1 Claim, 13 Drawing Sheets



(58) **Field of Classification Search**

CPC A47J 27/10; A47J 36/2405; A47J 27/18;
A47J 27/086

See application file for complete search history.

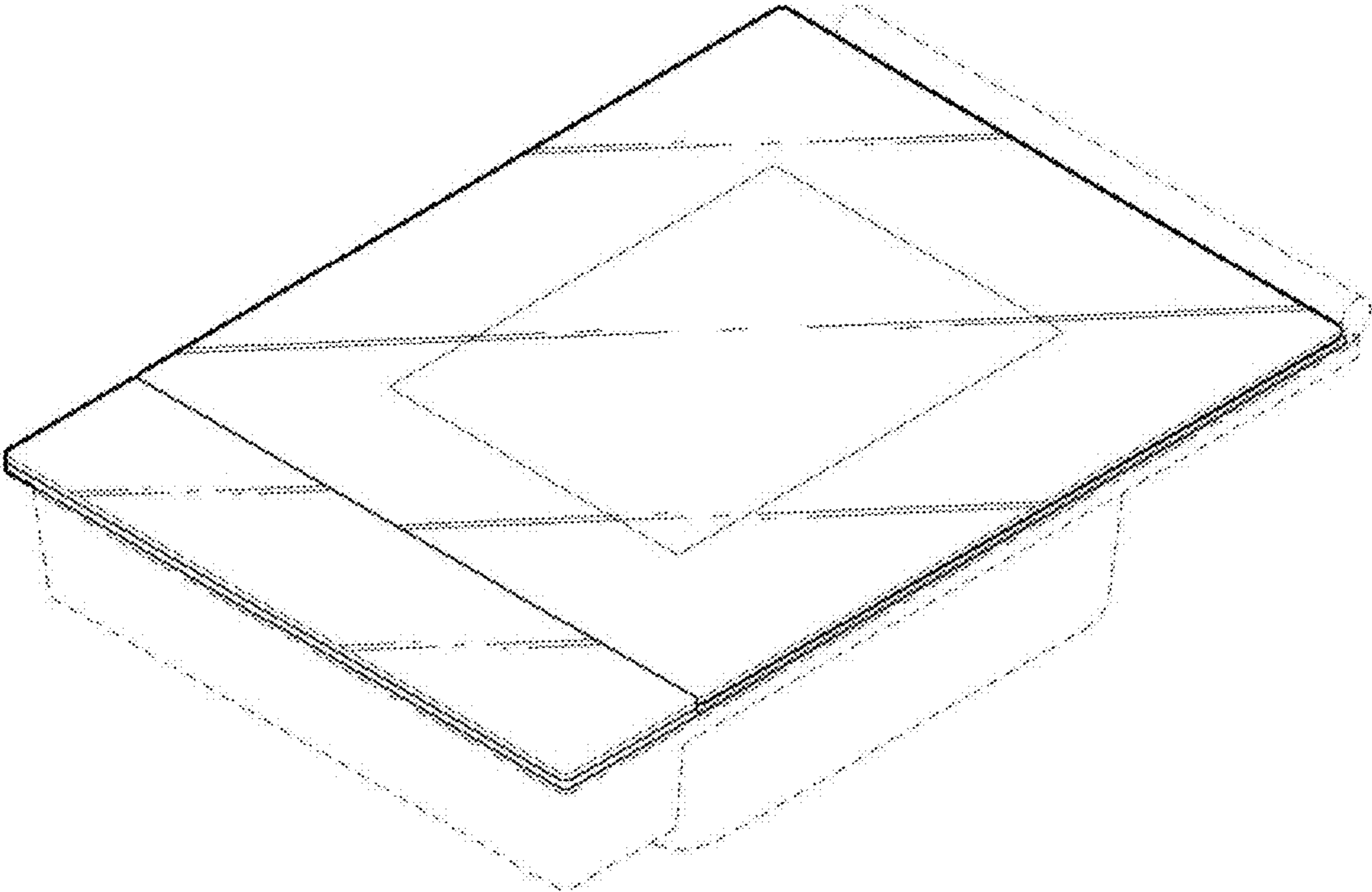
(56) **References Cited**

U.S. PATENT DOCUMENTS

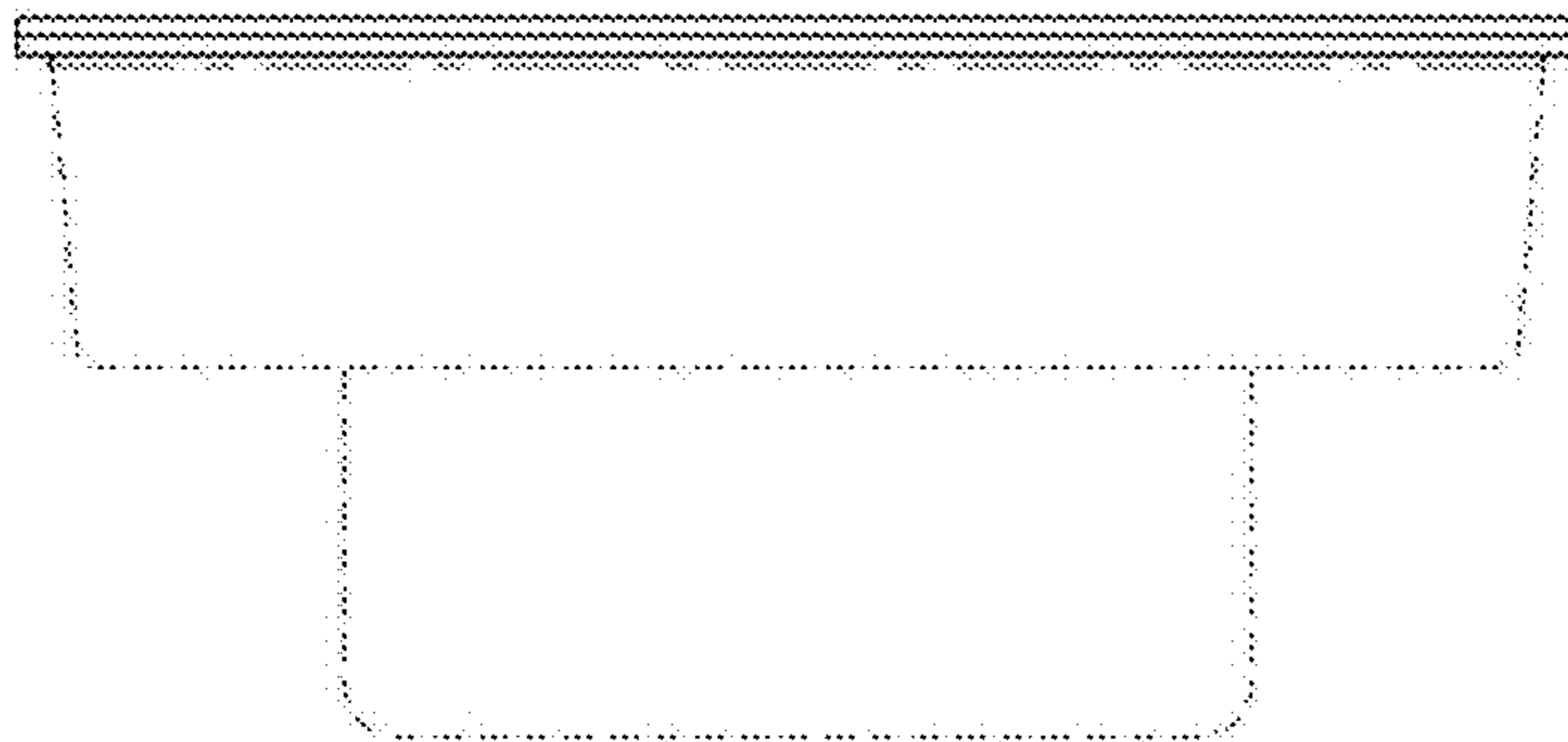
D655,565	S	*	3/2012	Goss	D7/346
D690,151	S	*	9/2013	Sadtler	D7/346
D697,749	S	*	1/2014	Knoll	D7/346
D704,980	S	*	5/2014	Nordwall	D7/346
D710,142	S	*	8/2014	Knoll	D7/346
D715,587	S	*	10/2014	Knoll	D7/346
D740,065	S	*	10/2015	Dumont	D7/346
D741,103	S	*	10/2015	Knoll	D7/346
D777,503	S	*	1/2017	Kim	D7/346
D778,100	S	*	2/2017	Kim	D7/346
D807,106	S	*	1/2018	Roberson	D7/346
D811,154	S	*	2/2018	Lee	D7/346
D814,230	S	*	4/2018	Choi	D7/346
D814,843	S	*	4/2018	Knoll	D7/346
D833,799	S	*	11/2018	Chung	D7/346
D834,364	S	*	11/2018	Chung	D7/346
D836,375	S	*	12/2018	Chung	D7/346

* cited by examiner

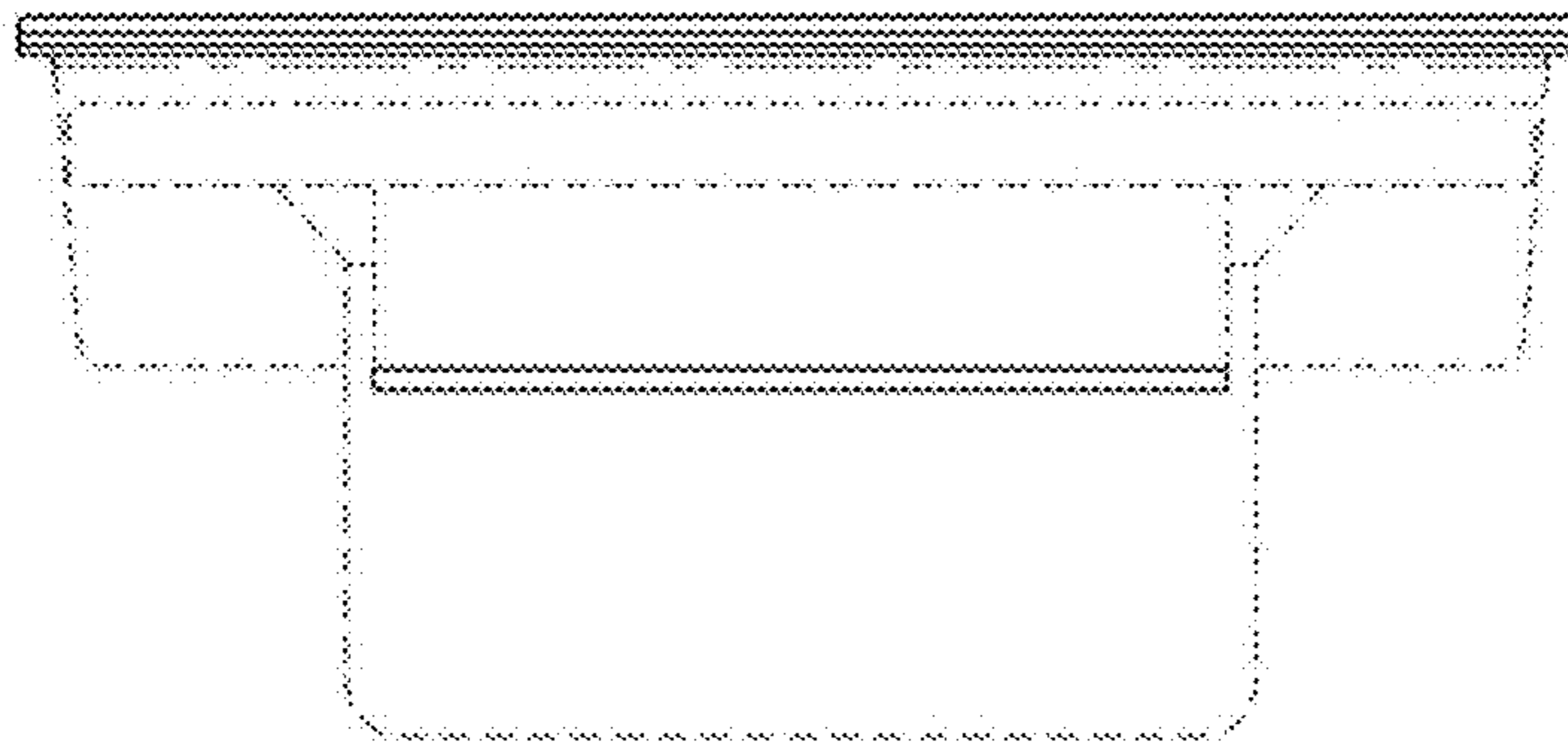
1.1



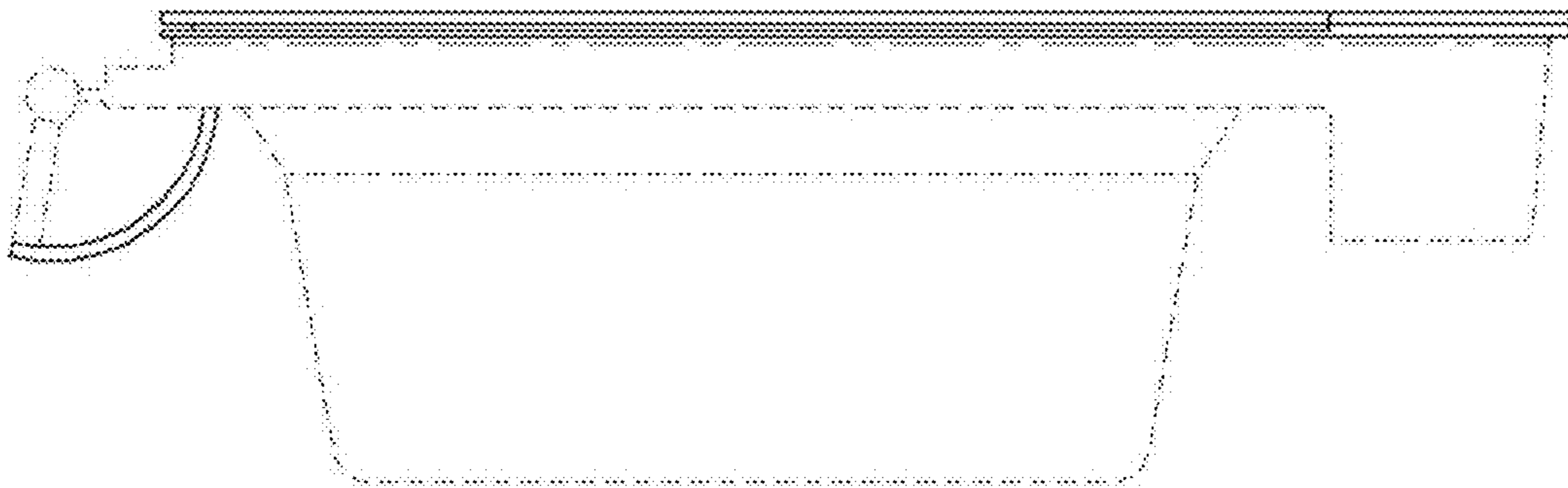
1.2



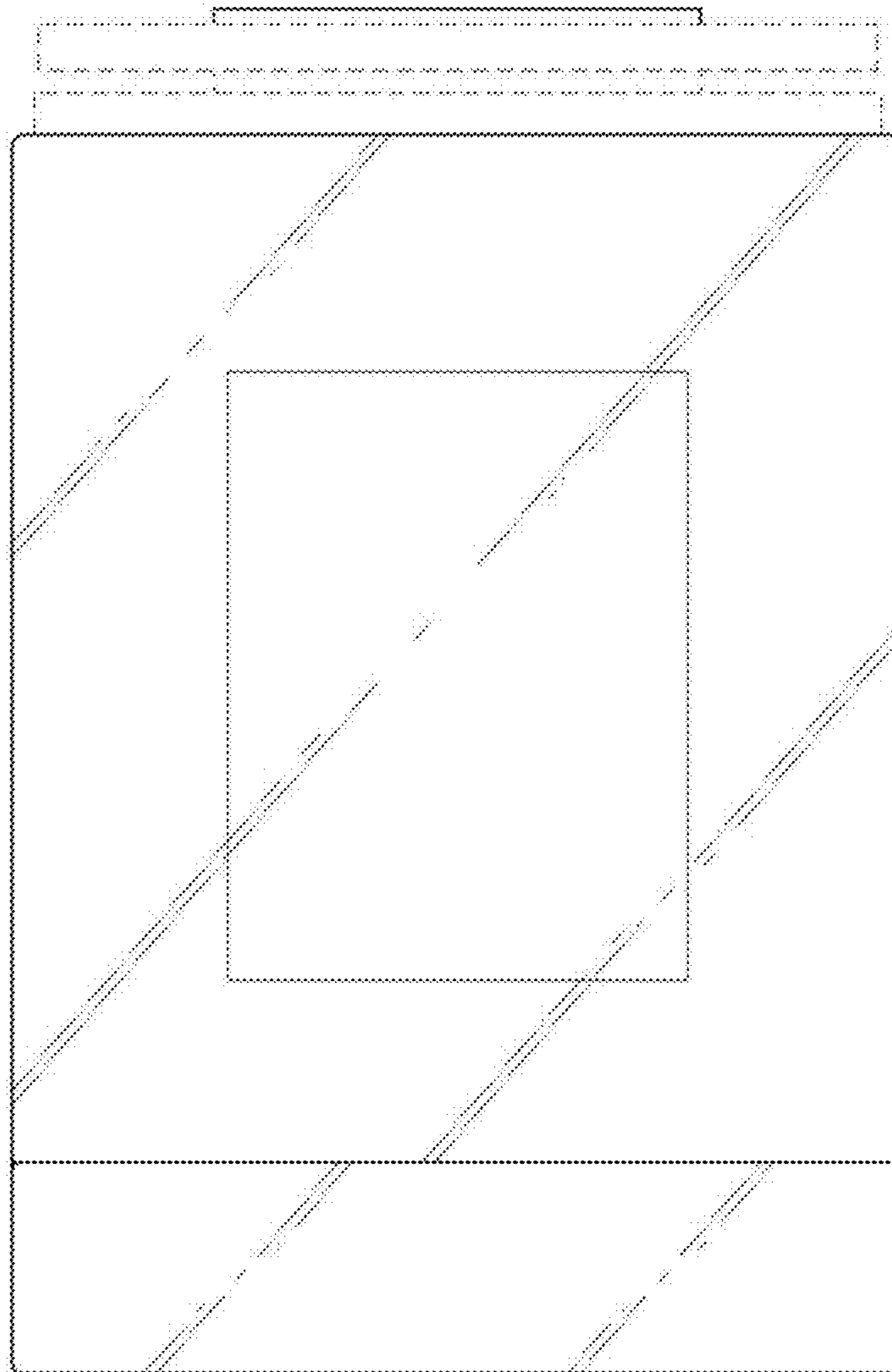
1.3



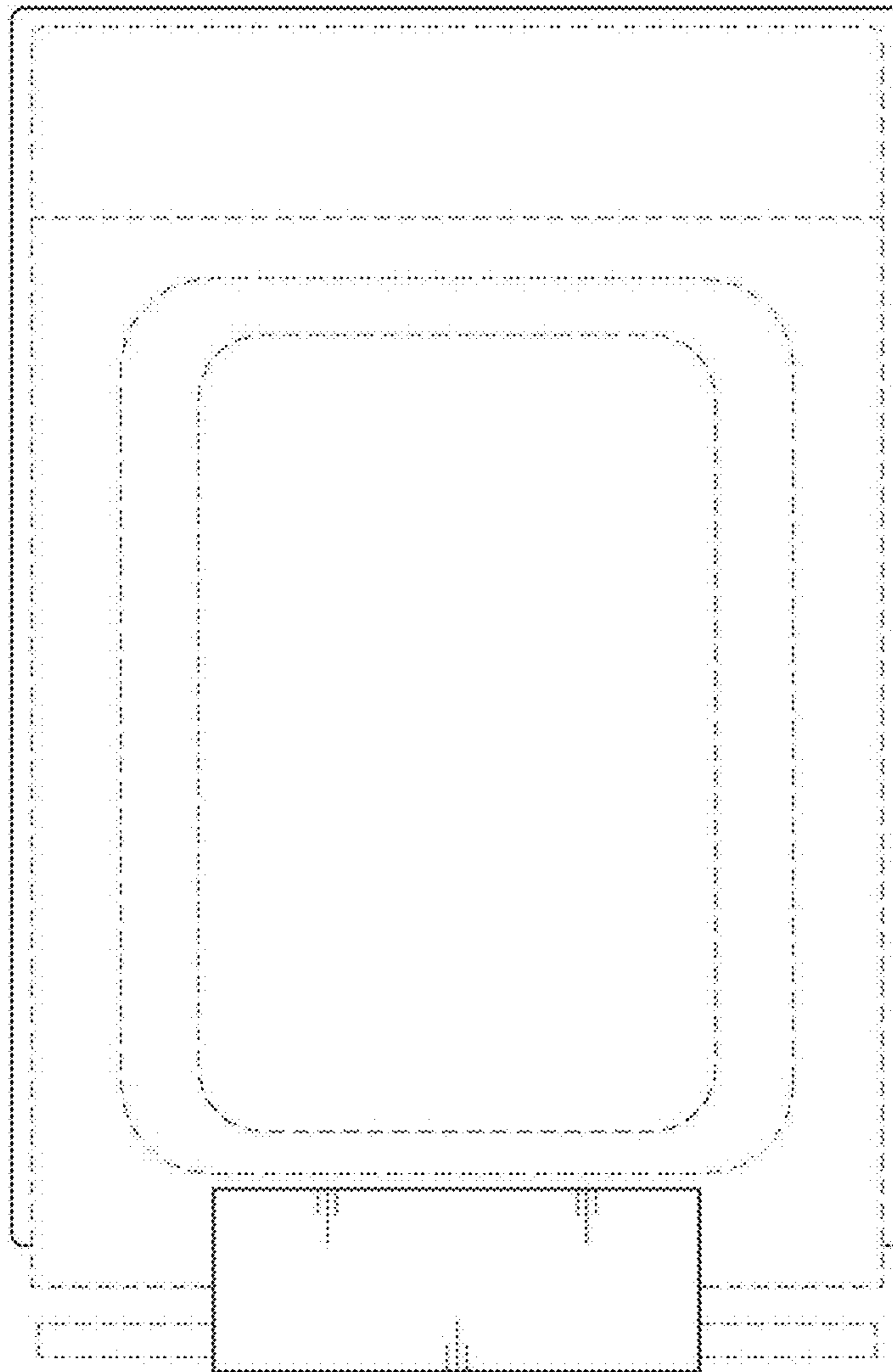
1.4



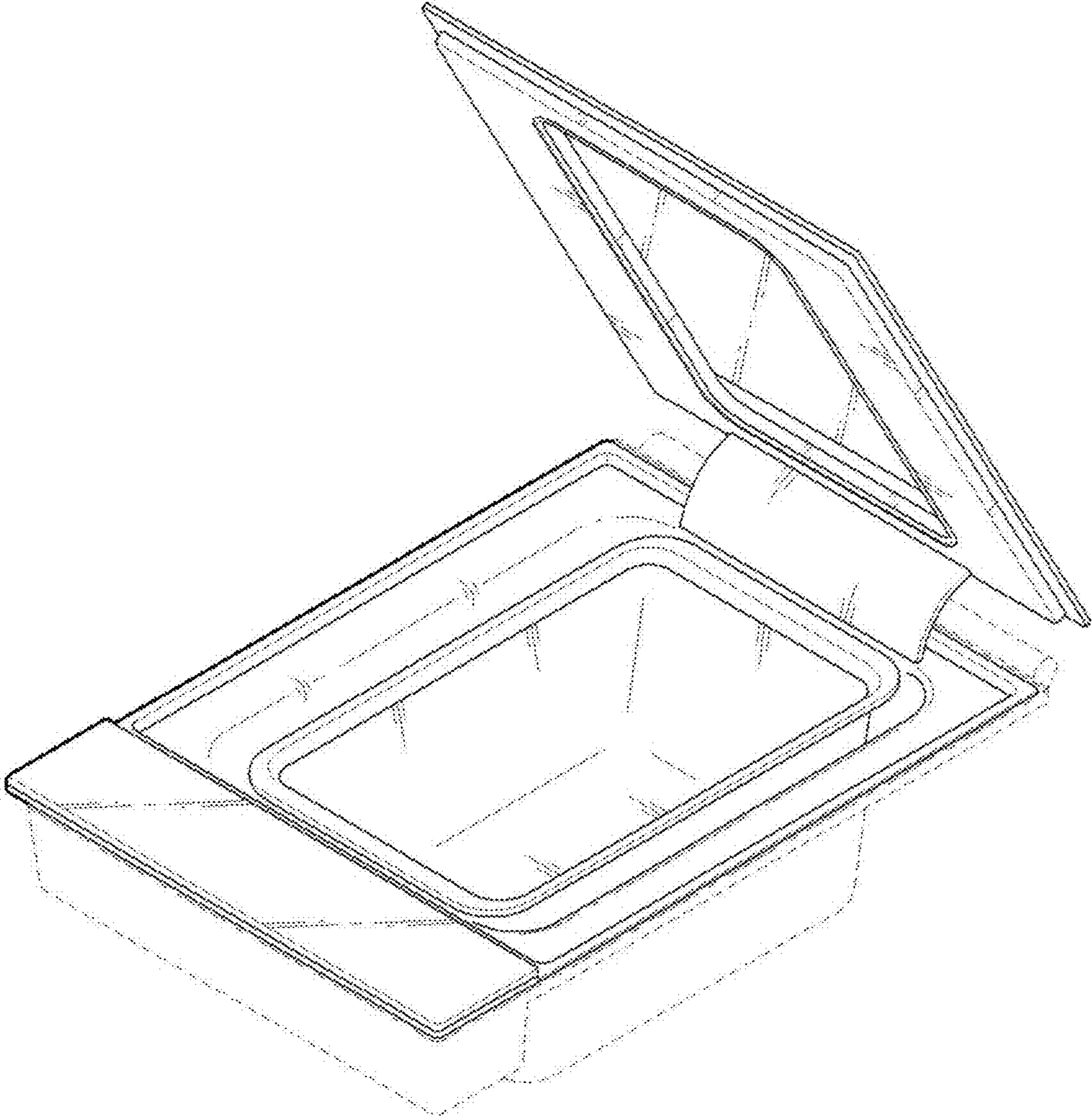
1.5



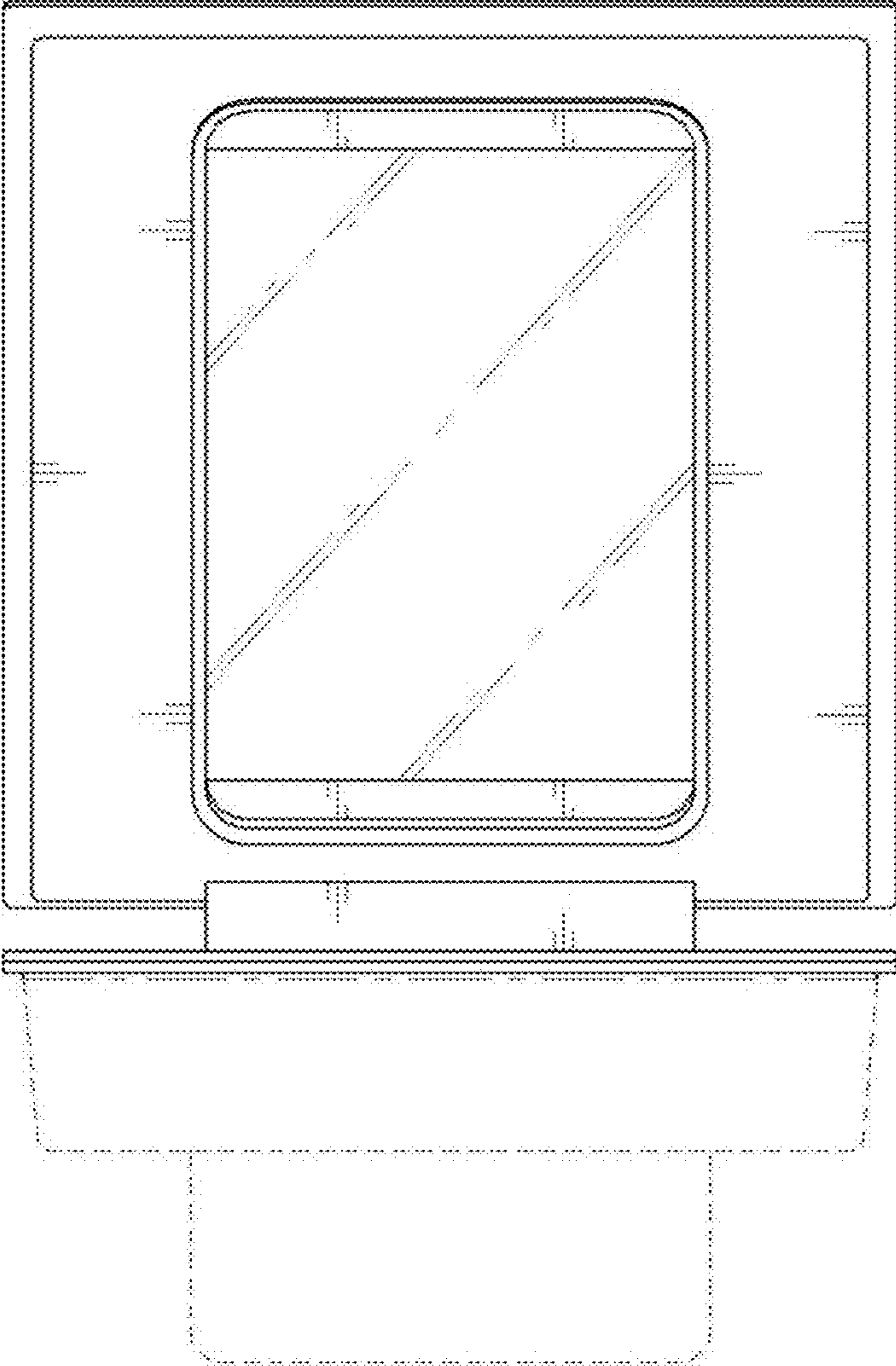
1.6



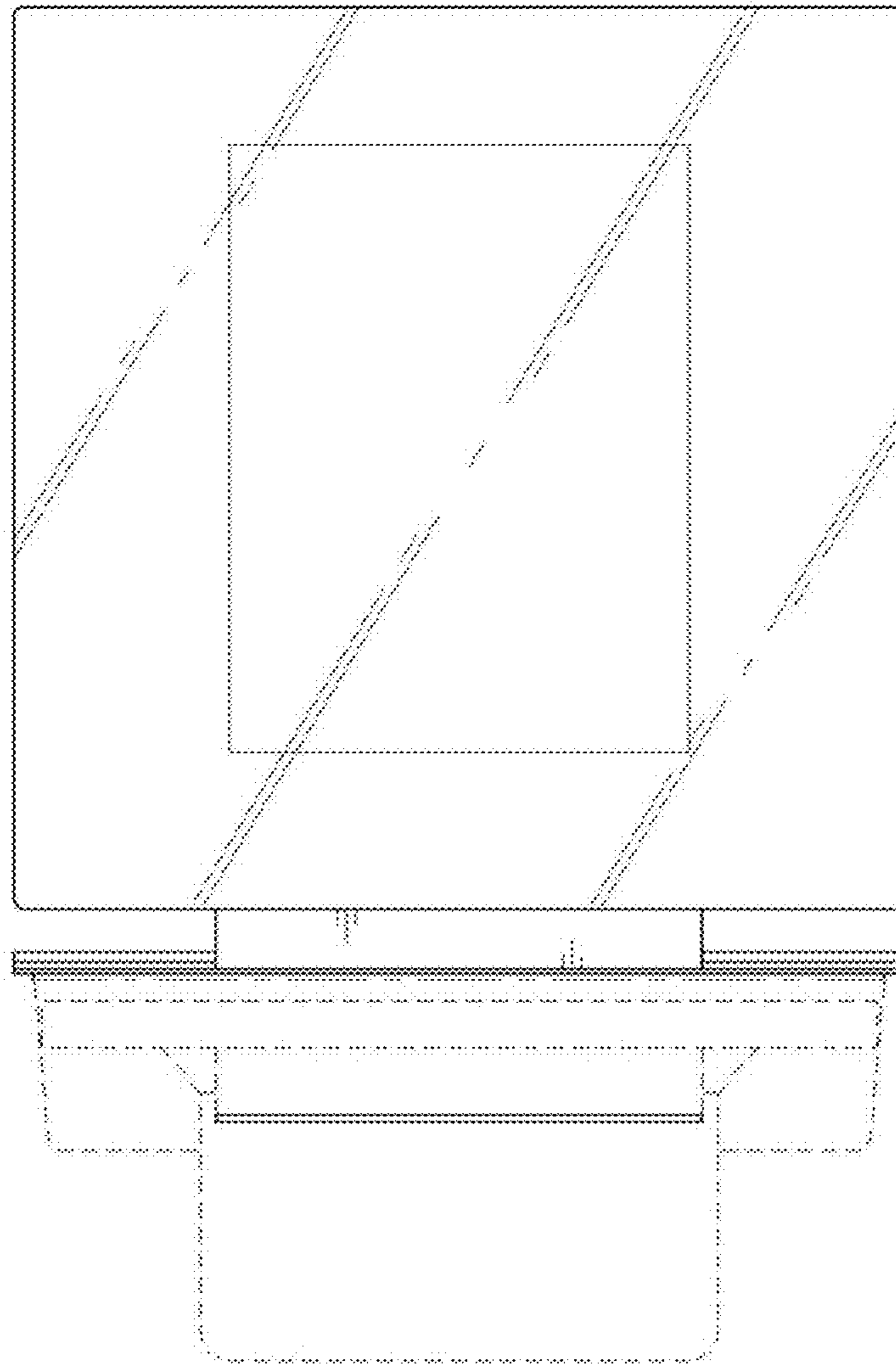
1.7



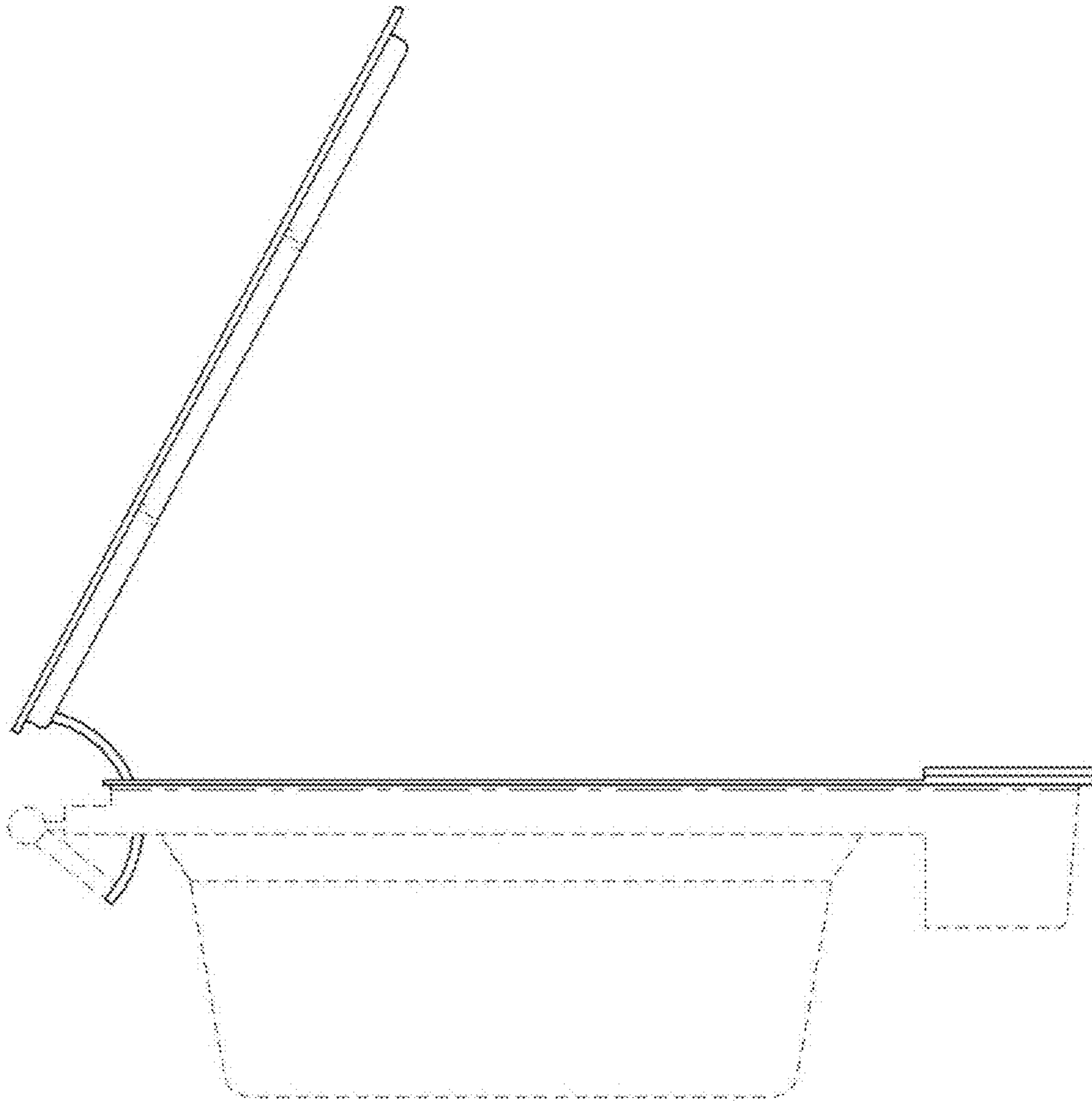
1.8



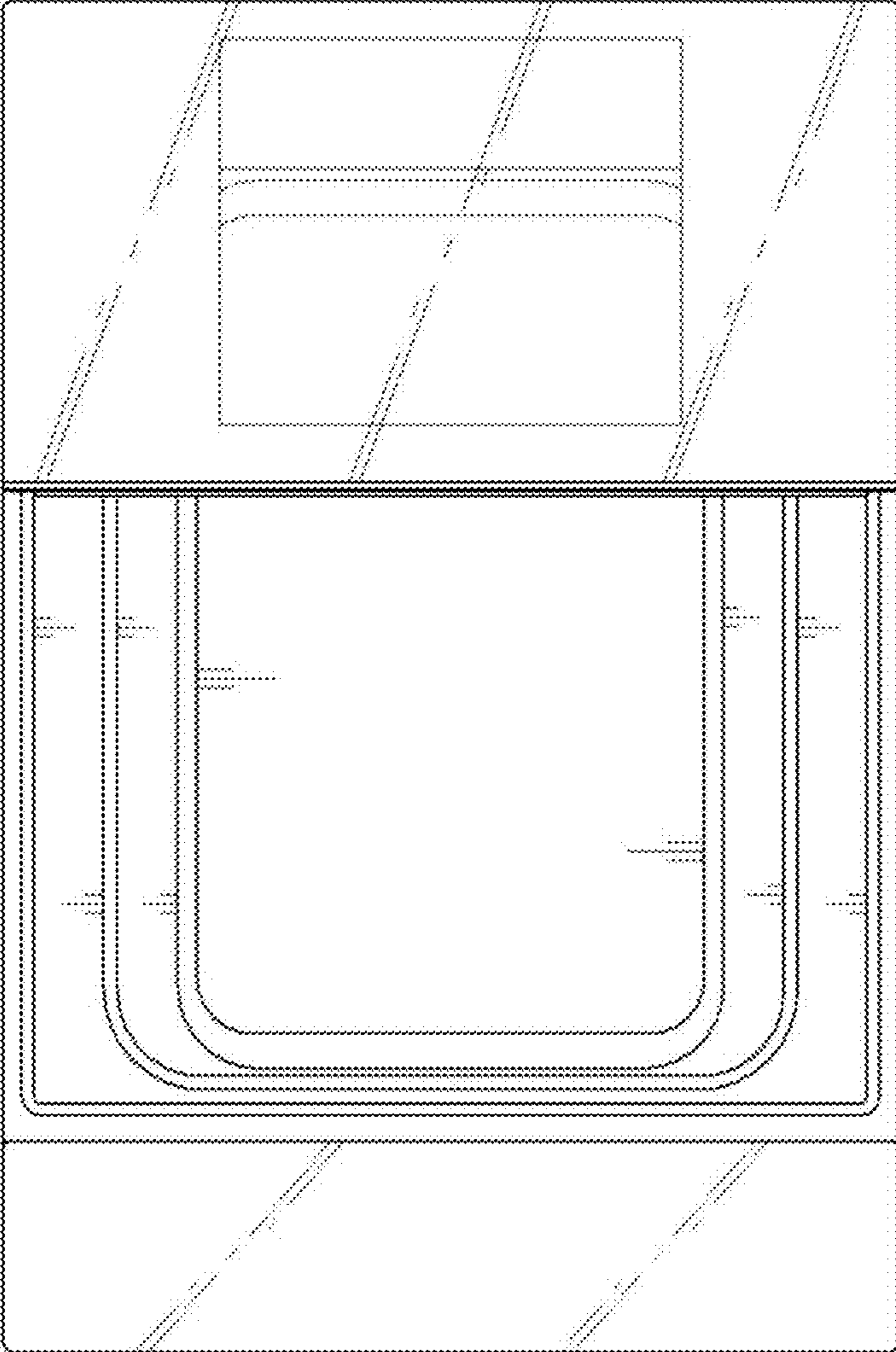
1.9



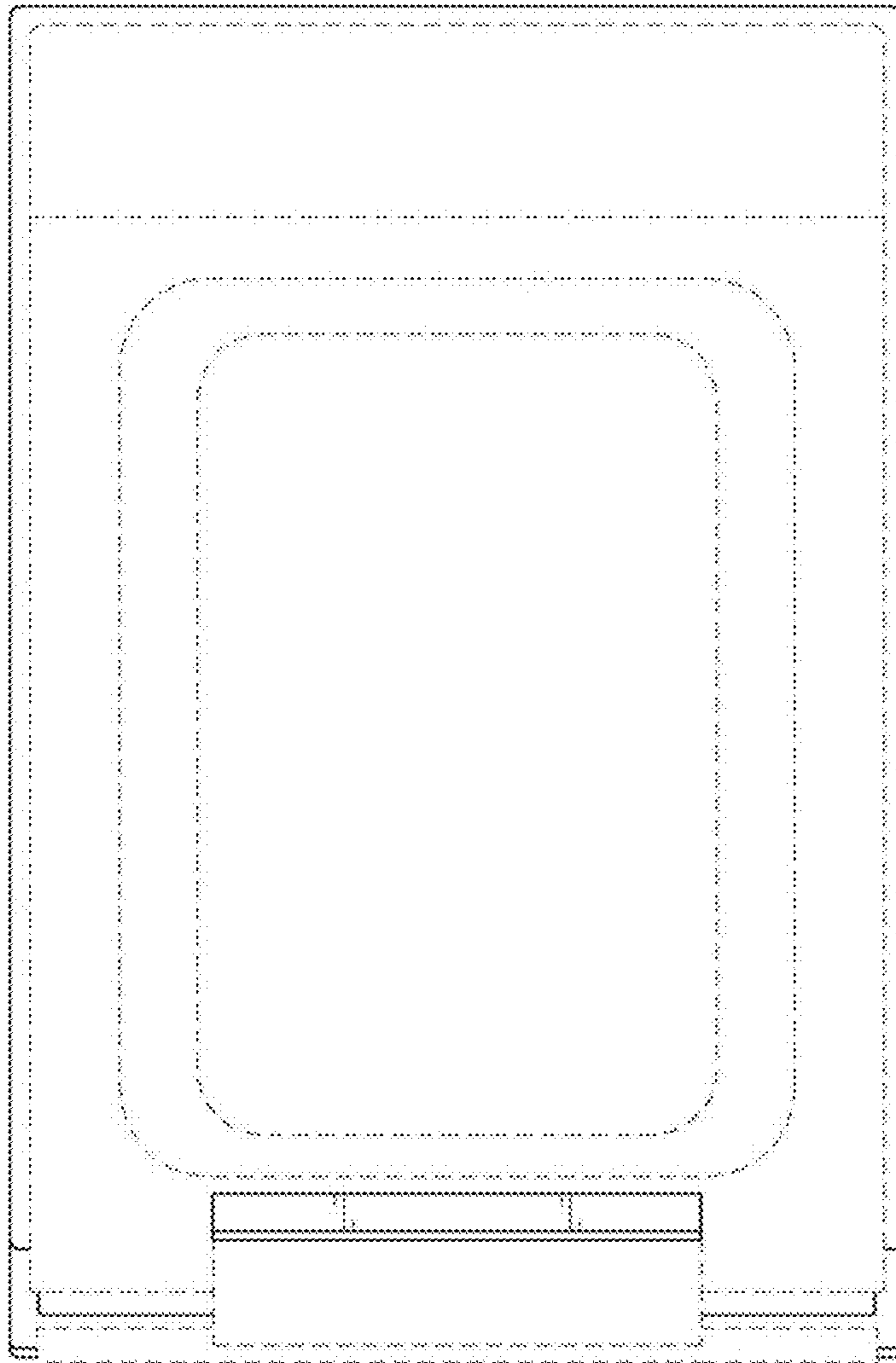
1.10



1.11



1.12



1.13

