



US00D863860S

(12) **United States Design Patent**
Sherwin

(10) **Patent No.:** **US D863,860 S**
(45) **Date of Patent:** **** Oct. 22, 2019**

- (54) **SOLAR COOKING APPARATUS**
- (71) Applicant: **GoSun Inc.**, Cincinnati, OH (US)
- (72) Inventor: **Patrick Sherwin**, Cincinnati, OH (US)
- (73) Assignee: **GoSun Inc.**, Cincinnati, OH (US)
- (**) Term: **15 Years**
- (21) Appl. No.: **29/629,340**
- (22) Filed: **Dec. 12, 2017**
- (51) **LOC (12) Cl.** **07-02**
- (52) **U.S. Cl.**
USPC **D7/324**
- (58) **Field of Classification Search**
USPC ... D7/323-324, 328-330, 347, 350.1, 350.4,
D7/390
CPC A21B 2/00; A47J 27/21166; A47J 37/00;
A47J 37/06; A47J 37/0611; A47J
37/0688; A47J 37/08; A47J 37/0807;
A47J 37/0814; A47J 37/0835; A47J
37/0842; A47J 37/085; A47J 37/0864;
A47J 37/0878; A47J

(Continued)

(56) **References Cited**

U.S. PATENT DOCUMENTS

2,989,915 A * 6/1961 Lonzi A47J 37/0688
219/391

4,018,212 A 4/1977 Hein et al.
(Continued)

Primary Examiner — Ricky Pham

(57) **CLAIM**

The ornamental design for a solar cooking apparatus, as shown and described thereof.

DESCRIPTION

FIG. 1 illustrates the perspective view of the solar cooking apparatus in closed position according to the present invention;

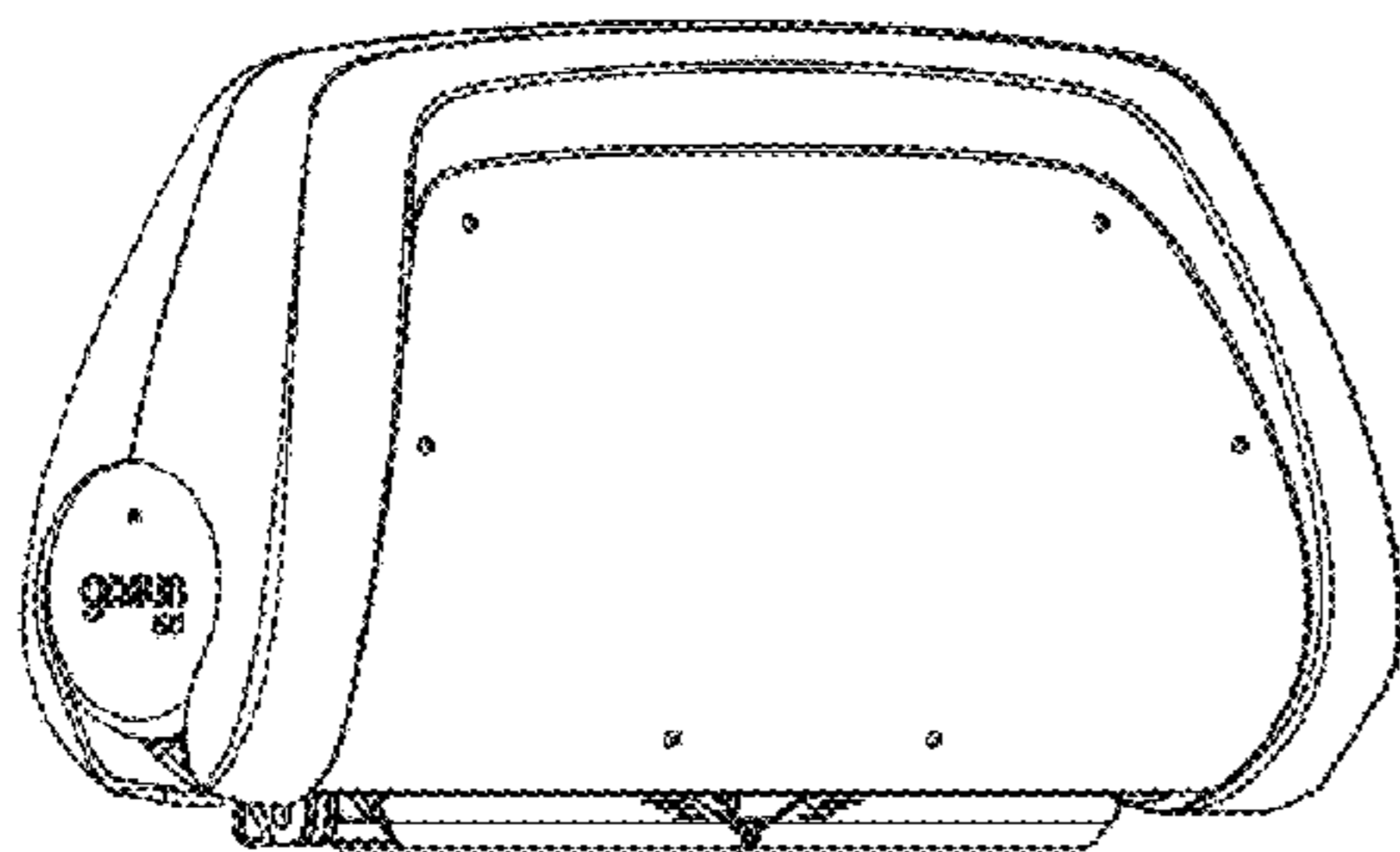
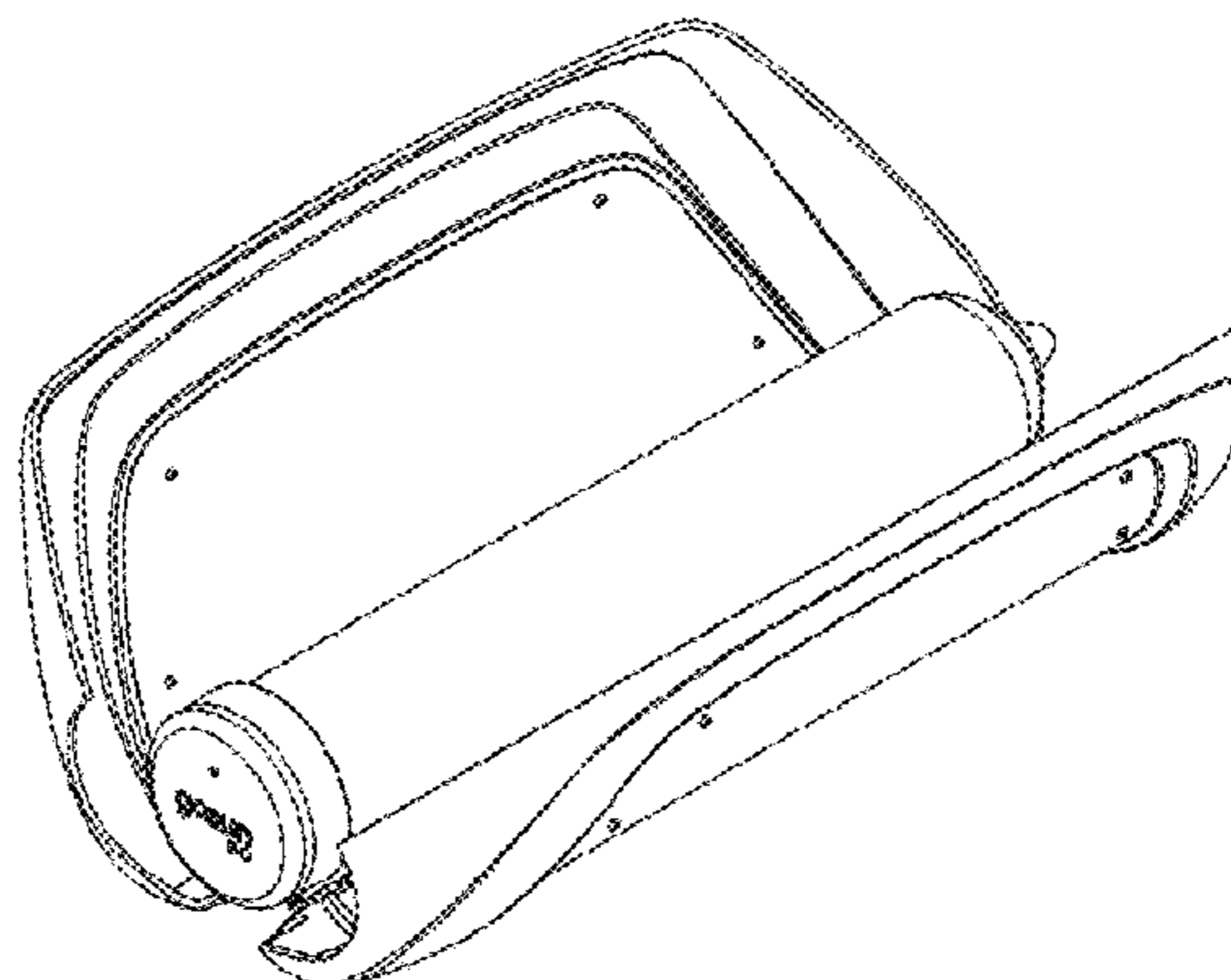


FIG. 2 illustrates the front view of the solar cooking apparatus in closed position according to the present invention; FIG. 3 illustrates the back view of the solar cooking apparatus in closed position according to the present invention; FIG. 4 illustrates the left-side view of the solar cooking apparatus in closed position according to the present invention; FIG. 5 illustrates the right-side view of the solar cooking apparatus in closed position according to the present invention; FIG. 6 illustrates the top view of the solar cooking apparatus in closed position according to the present invention; FIG. 7 illustrates the bottom view of the solar cooking apparatus in closed position according to the present invention; FIG. 8 illustrates the perspective view of the solar cooking apparatus in open position according to the present invention; FIG. 9 illustrates the front view of the solar cooking apparatus in open position according to the present invention; FIG. 10 illustrates the back view of the solar cooking apparatus in open position according to the present invention; FIG. 11 illustrates the left-side view of the solar cooking apparatus in open position according to the present invention; FIG. 12 illustrates the right-side view of the solar cooking apparatus in open position according to the present invention; FIG. 13 illustrates the top view of the solar cooking apparatus in open position according to the present invention; and, FIG. 14 illustrates the bottom view of the solar cooking apparatus in open position according to the present invention.

1 Claim, 14 Drawing Sheets



(58) **Field of Classification Search**

CPC 37/0885; A47J 37/0892; F21V 7/08; F24C
15/10; F24C 15/102; F24S 10/45; F24S
20/30; F24S 40/10

See application file for complete search history.

(56)

References Cited

U.S. PATENT DOCUMENTS

4,099,516 A * 7/1978 Caulier F21V 7/08
126/667
4,134,392 A * 1/1979 Livermore F24S 10/45
126/657
D256,656 S * 9/1980 Naccach D7/324
4,442,828 A * 4/1984 Takeuchi F24S 20/30
126/681
4,475,528 A 10/1984 Kuchenbrod
4,583,521 A 4/1986 Ciambella et al.

D433,867 S * 11/2000 Hsu A47J 37/0688
D7/350.4
D442,016 S * 5/2001 Park A47J 27/21166
D7/347
D451,333 S * 12/2001 Hsu F24S 20/30
D7/350.4
6,927,366 B2 8/2005 Sawhney et al.
D703,993 S * 5/2014 Garman F24S 10/45
D7/350.1
9,377,215 B2 6/2016 Sherwin
9,671,135 B2 6/2017 Lin
D799,882 S * 10/2017 Sherwin F24S 40/10
D7/324
10,222,094 B2 * 3/2019 Sherwin F24S 40/10
2011/0006054 A1 1/2011 Garcia
2015/0044345 A1 2/2015 Sherwin
2015/0208848 A1 * 7/2015 Huang A47J 27/21166
99/403
2016/0161150 A1 6/2016 Zintel et al.

* cited by examiner

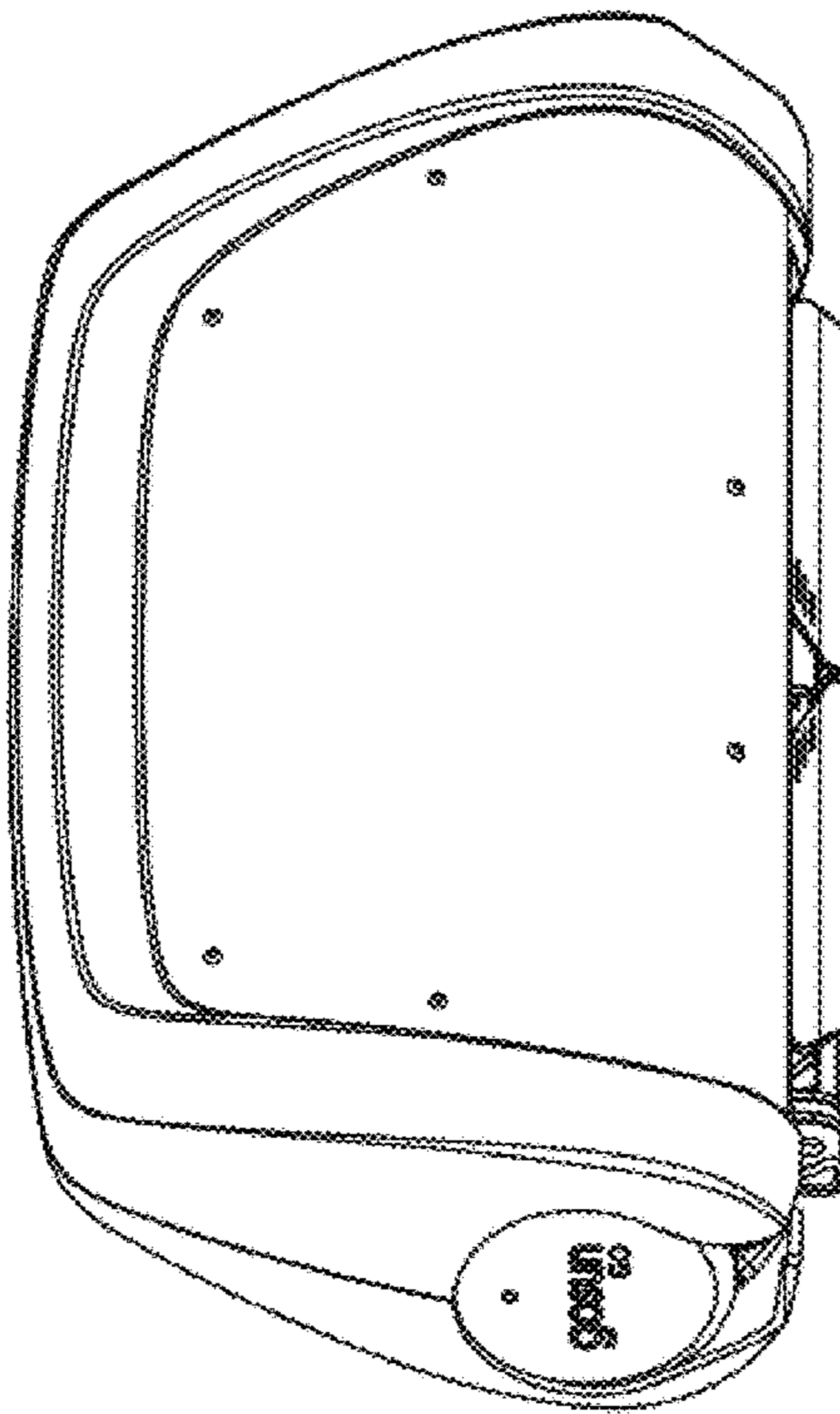


FIG. 1

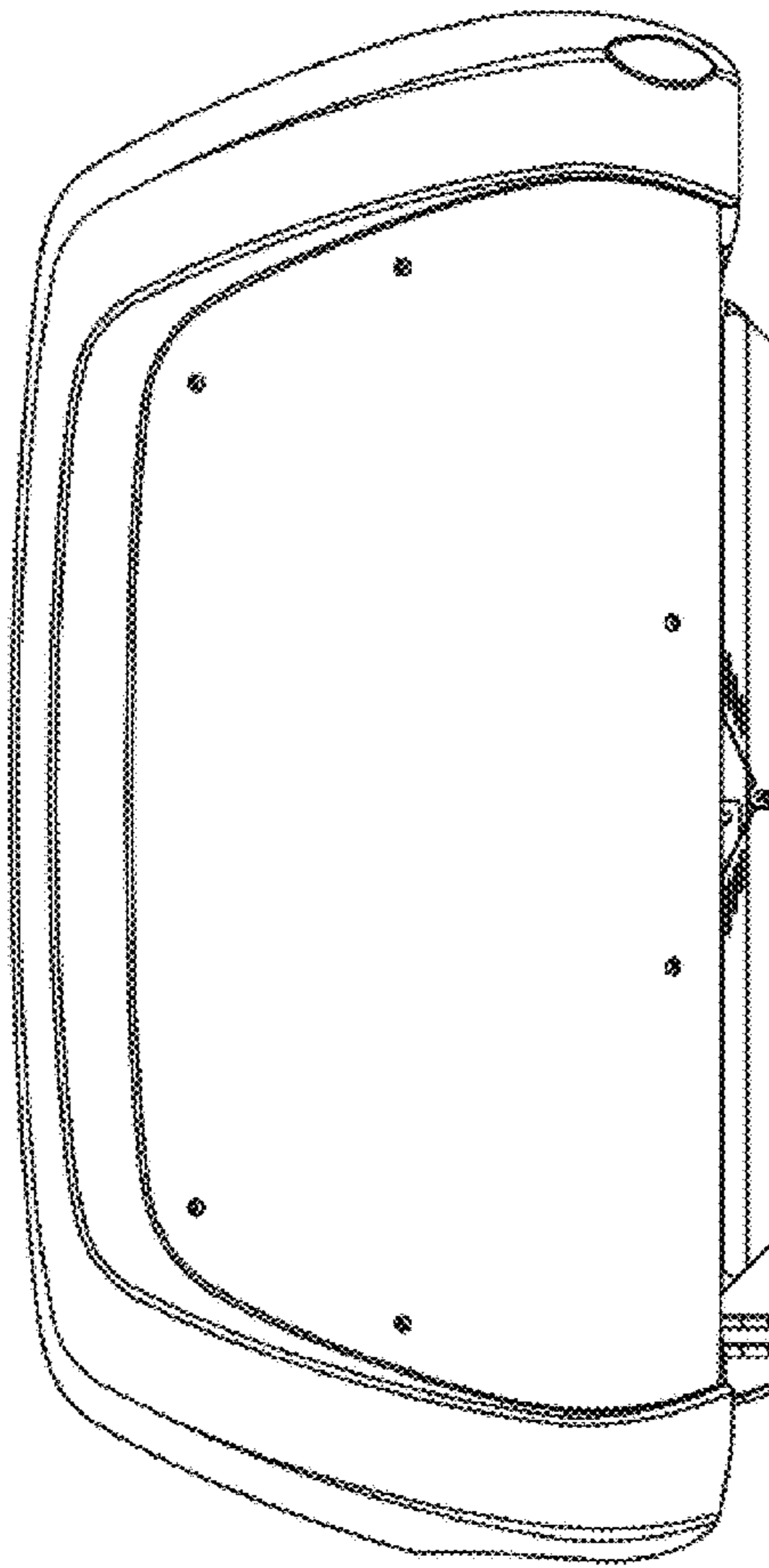


FIG. 2

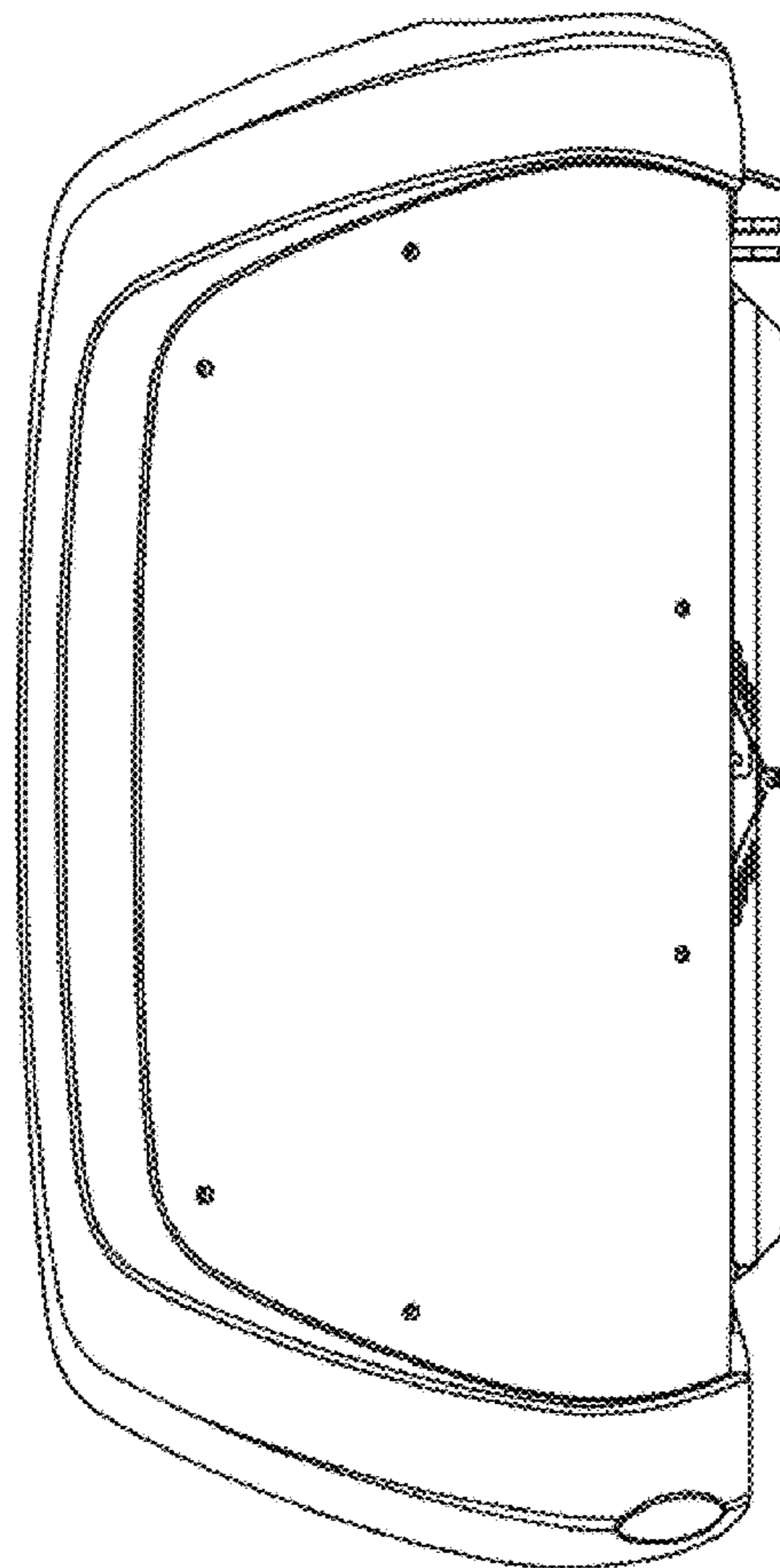


FIG. 3

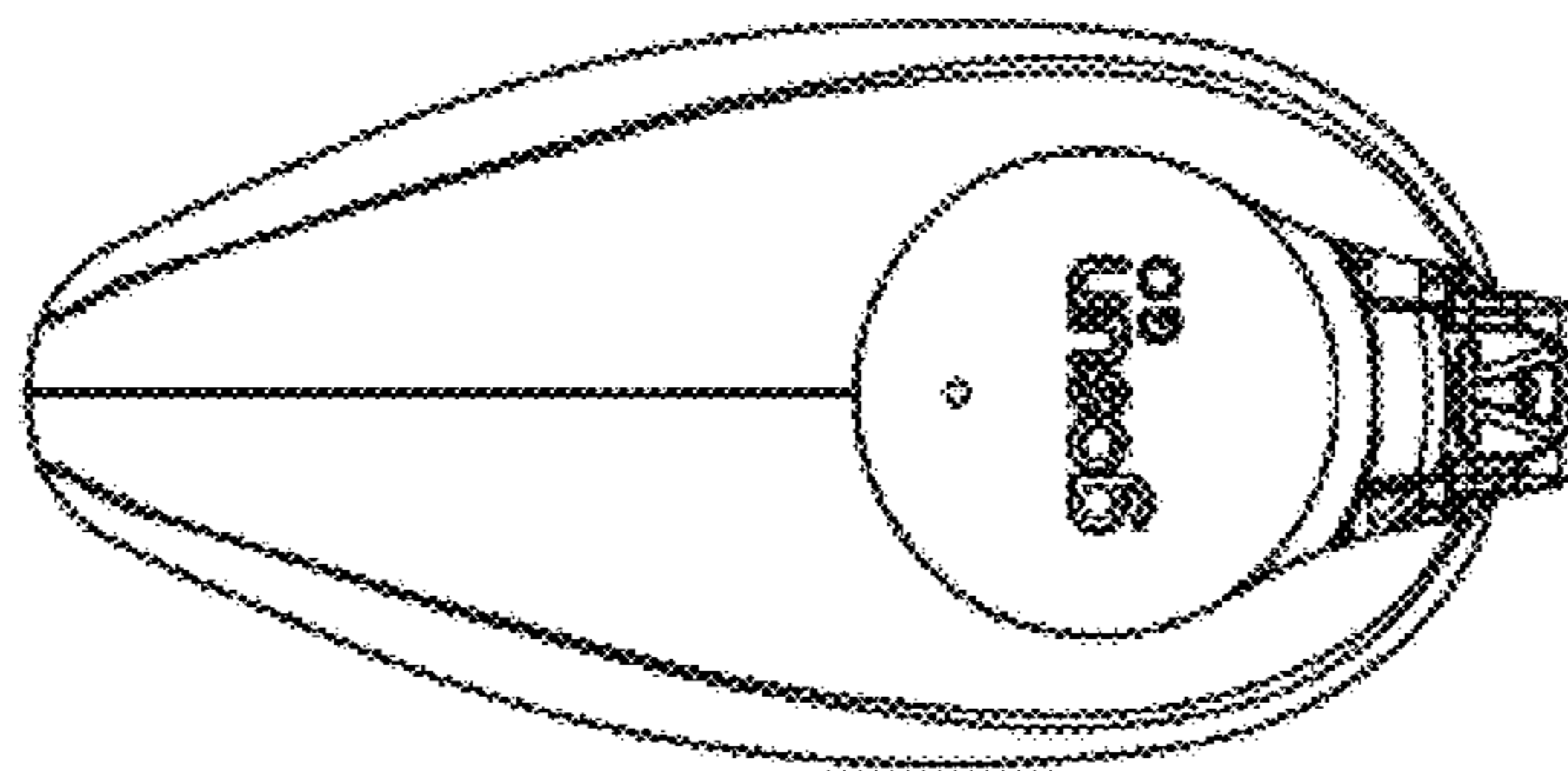


FIG. 4

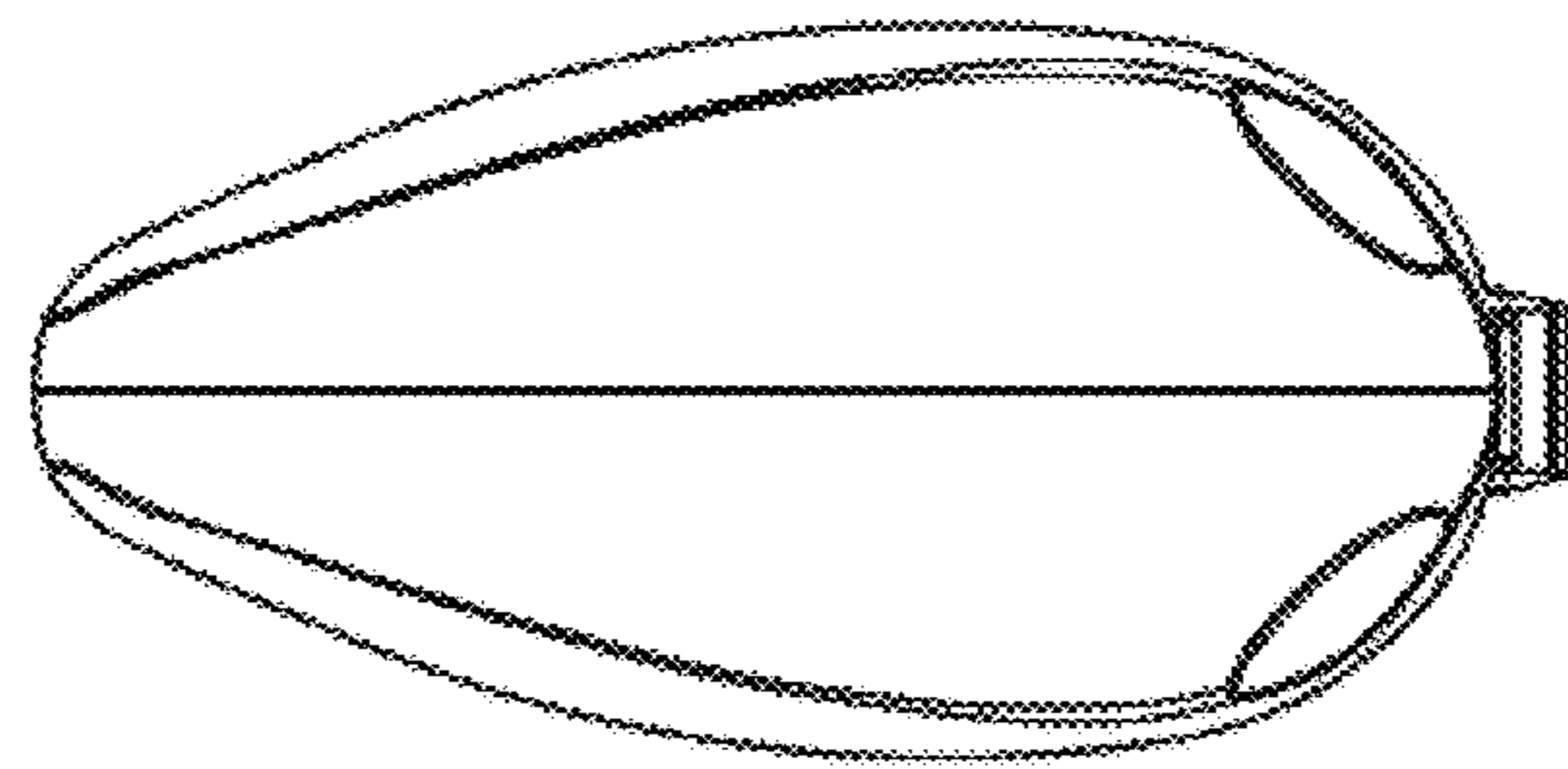


FIG. 5

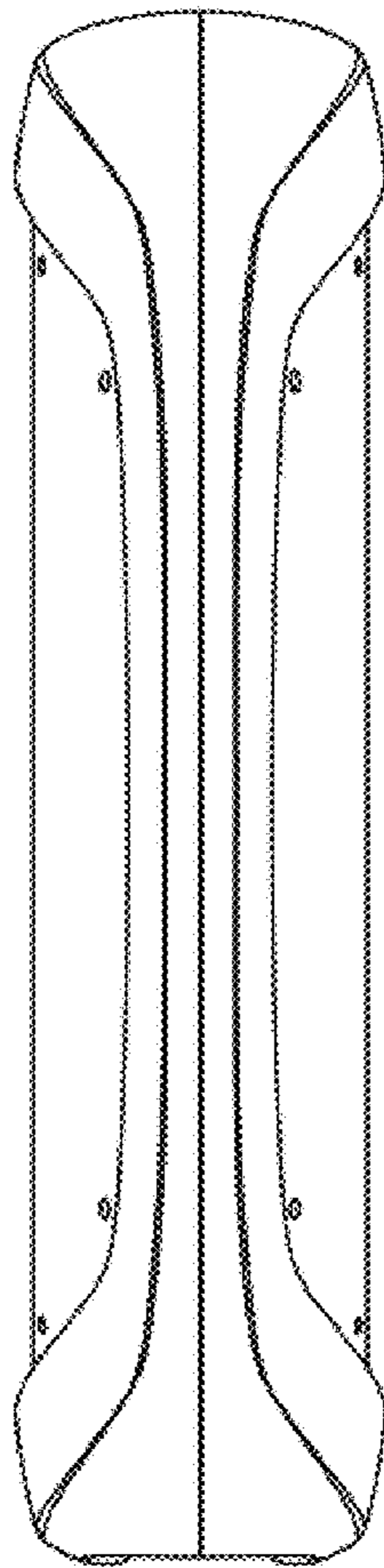


FIG. 6

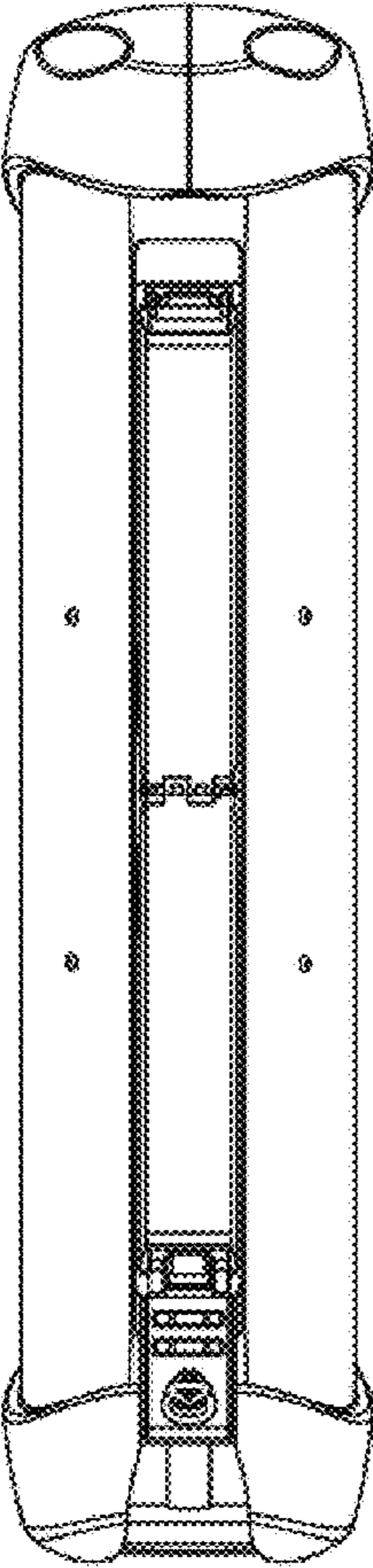


FIG. 7

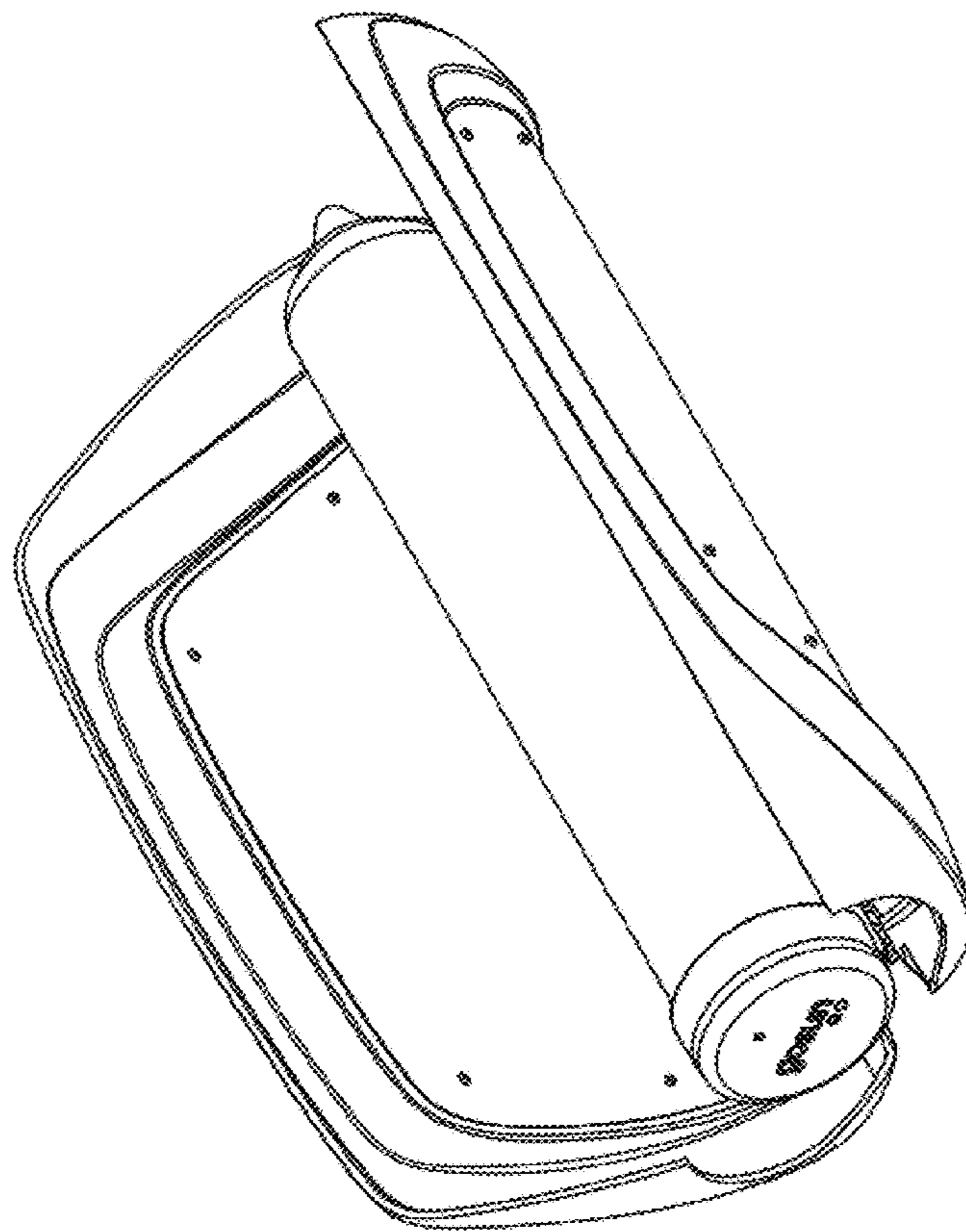


FIG. 8

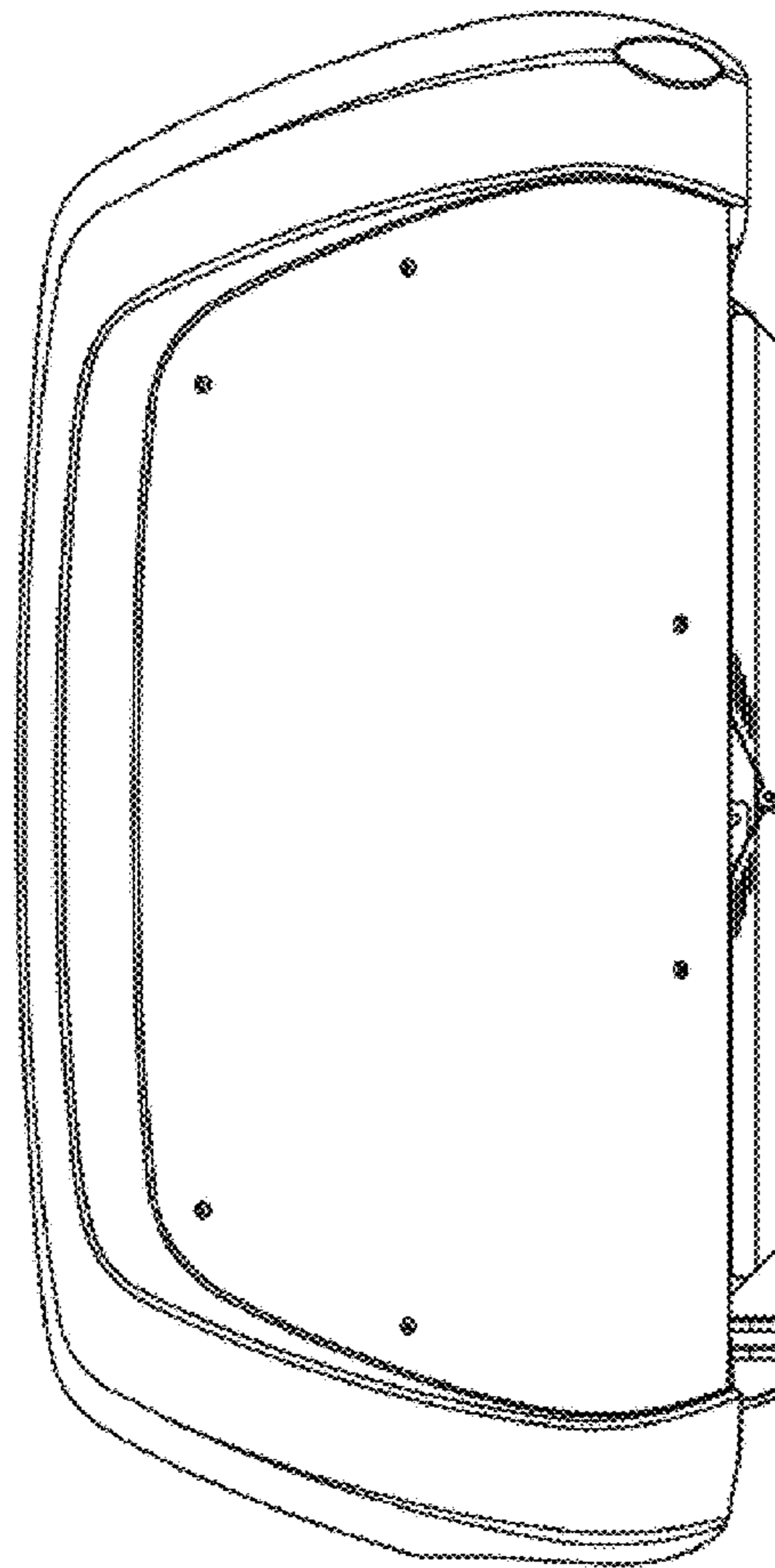


FIG. 9

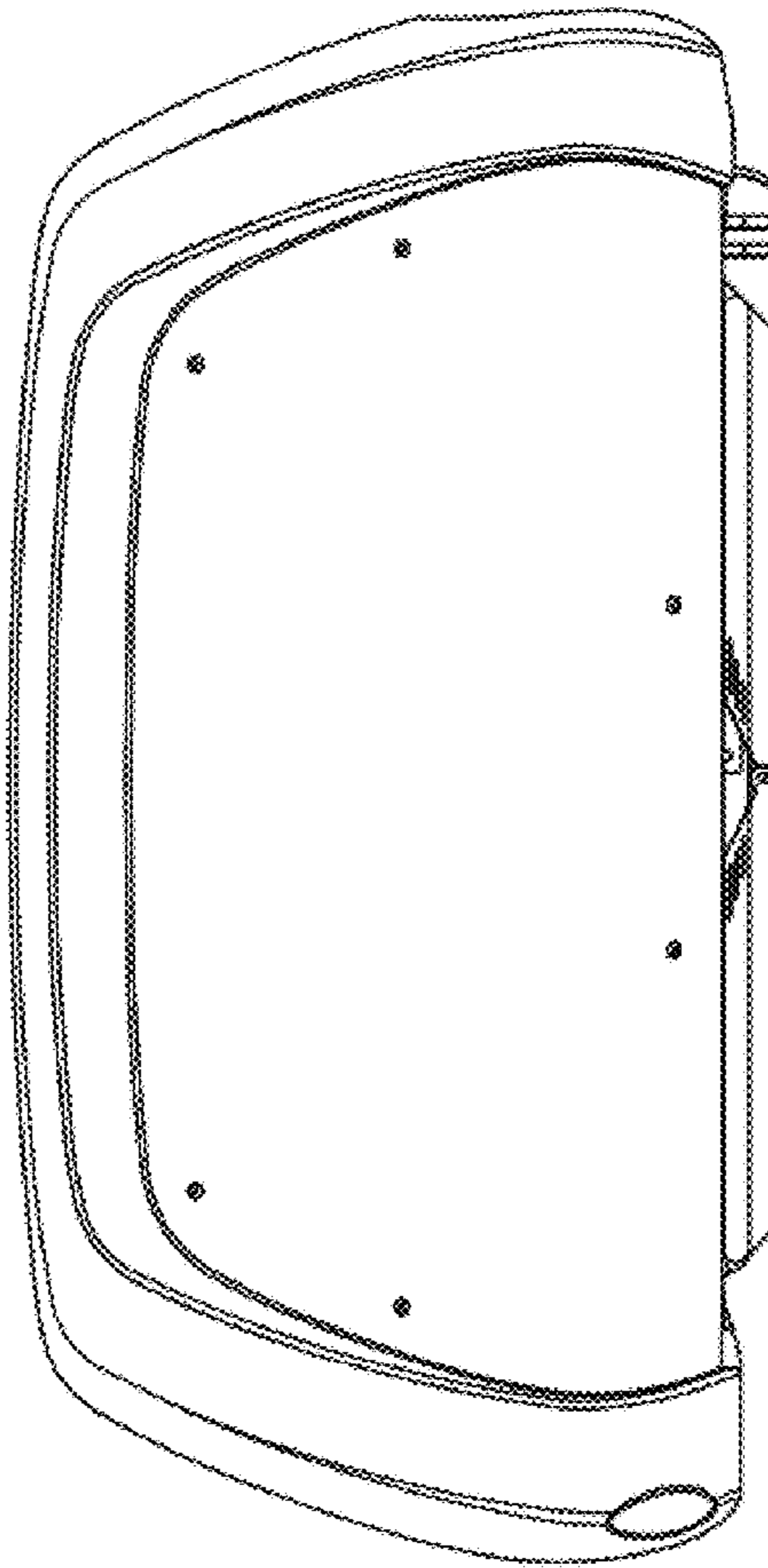


FIG. 10

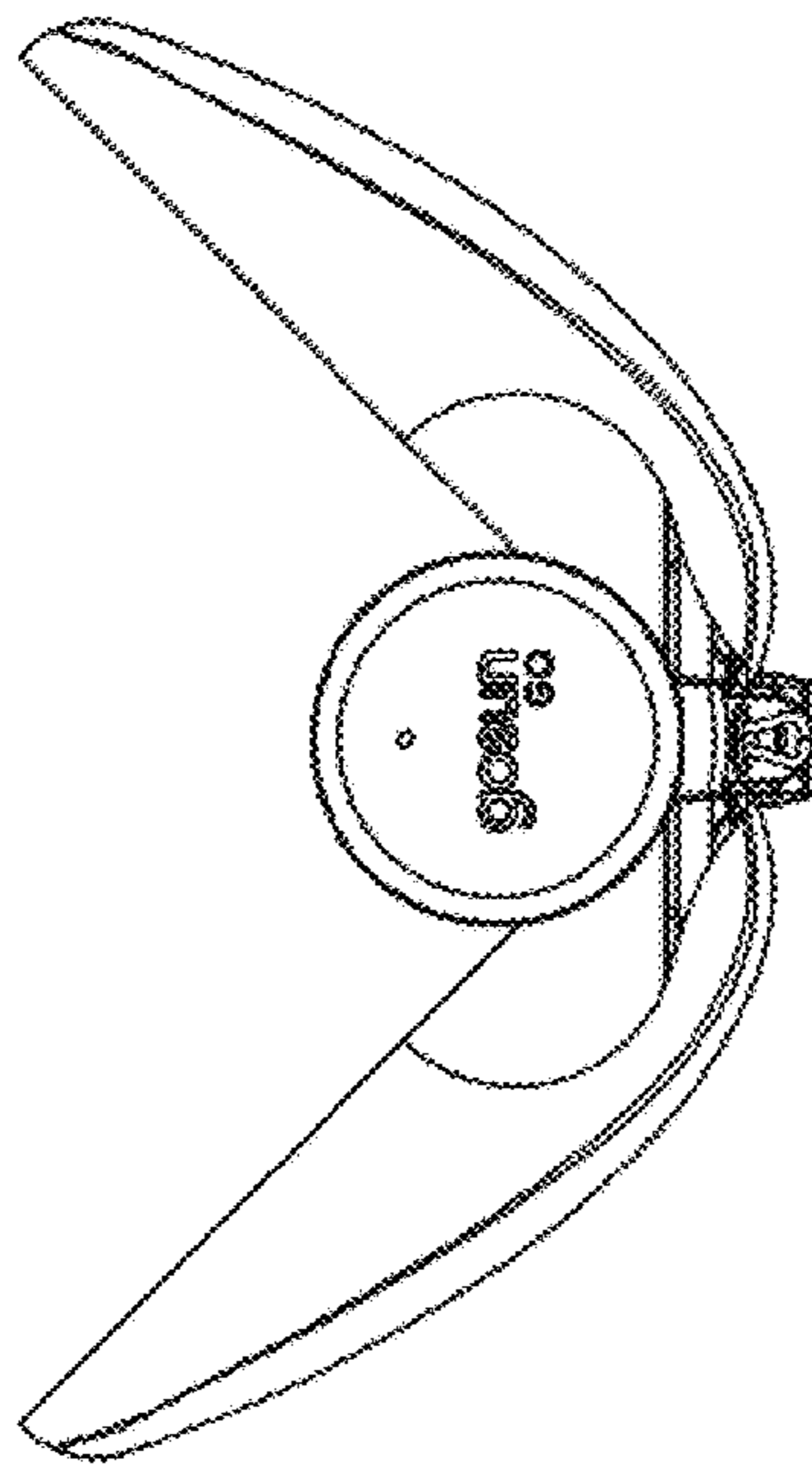


FIG. 11

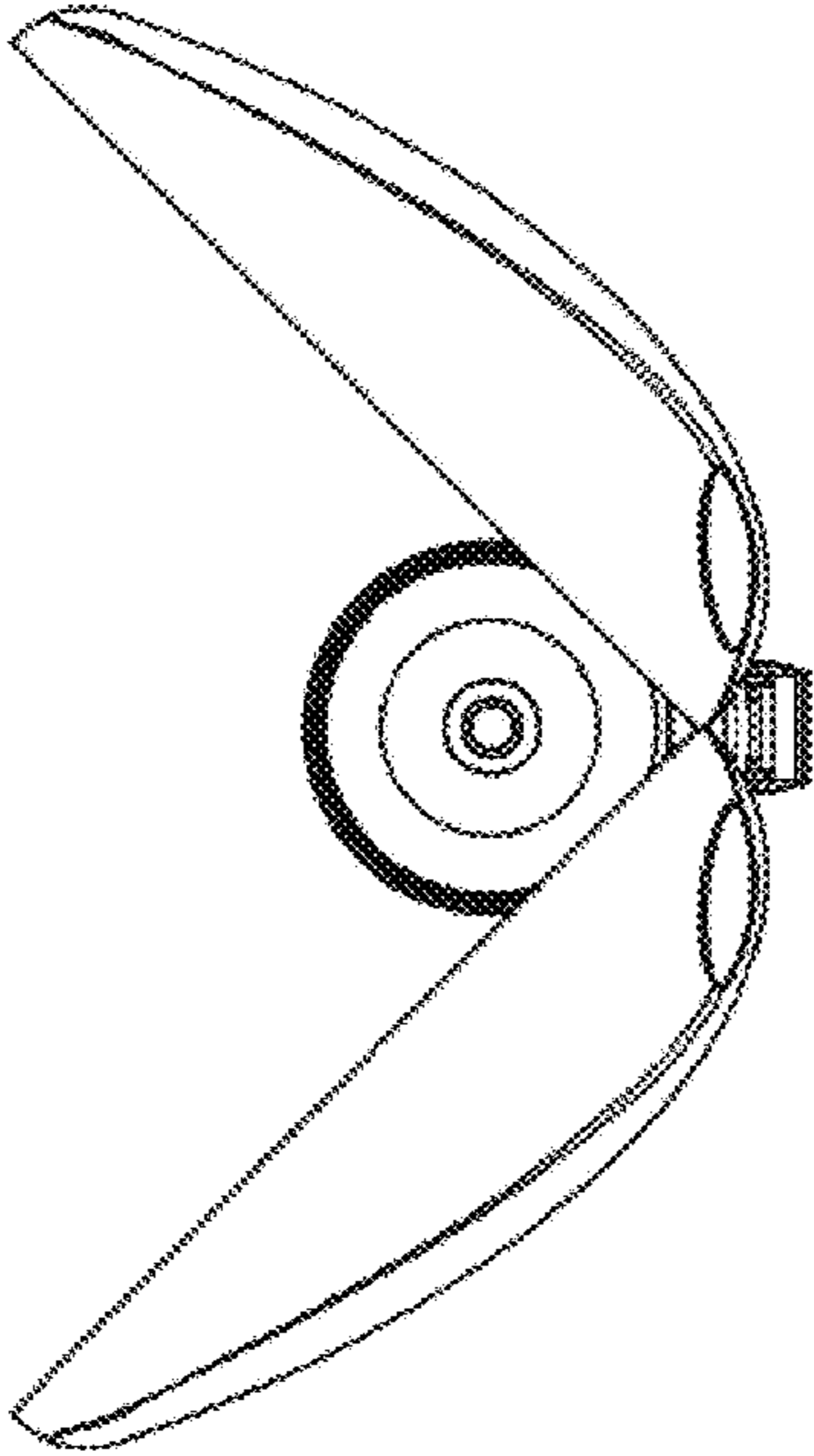


FIG. 12

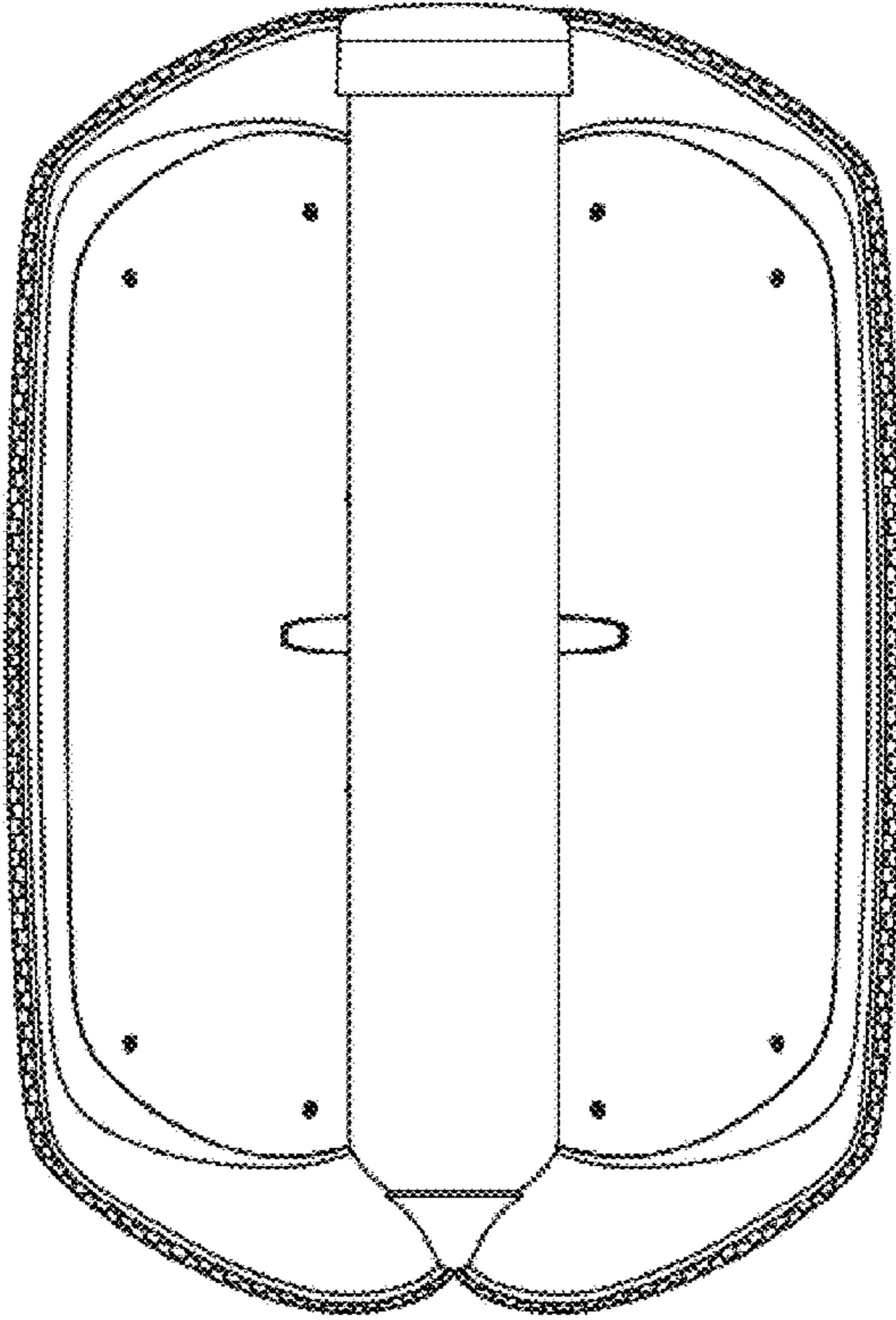


FIG. 13

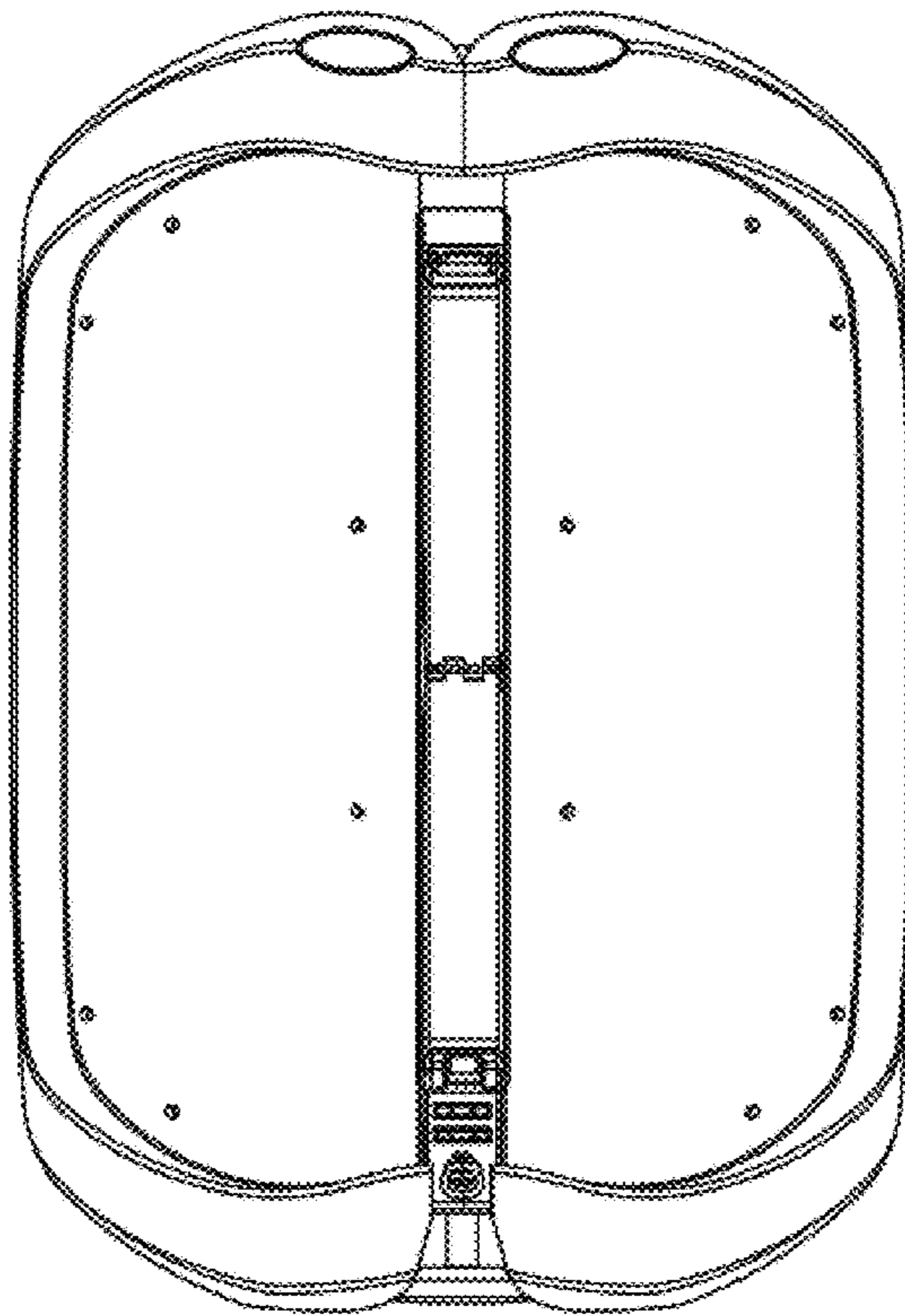


FIG. 14