



US00D863858S

(12) **United States Design Patent**
Bodum

(10) **Patent No.:** **US D863,858 S**

(45) **Date of Patent:** **** Oct. 22, 2019**

(54) **JUG WITH LID**

(71) Applicant: **PI-Design AG**, Triengen (CH)

(72) Inventor: **Jorgen Bodum**, Meggen (CH)

(73) Assignee: **PI-Design AG**, Triengen (CH)

(**) Term: **15 Years**

(21) Appl. No.: **29/641,870**

(22) Filed: **Mar. 26, 2018**

(30) **Foreign Application Priority Data**

Nov. 2, 2017 (WO) DM/098625

(51) **LOC (12) Cl.** **07-01**

(52) **U.S. Cl.**
USPC **D7/317; D7/319**

(58) **Field of Classification Search**
USPC D7/316-319, 312, 321, 320, 598;
D23/207, 209
CPC A47J 41/0005; A47J 31/20; A47J 31/50;
A47J 27/2105; A47J 31/053
See application file for complete search history.

(56) **References Cited**

U.S. PATENT DOCUMENTS

3,282,196 A * 11/1966 Manship A47J 31/053
99/310
D217,734 S * 6/1970 Abramson et al. D7/317

D378,722 S * 4/1997 Brady D7/318
D405,640 S * 2/1999 Saltet D7/317
D461,087 S * 8/2002 Hatsumoto D7/317
D605,455 S * 12/2009 Bodum D7/317
D742,161 S * 11/2015 Manly D7/317
D777,500 S * 1/2017 Lee D7/317
D789,725 S * 6/2017 Kestenbaum D7/317
D796,887 S * 9/2017 Horimoto D7/319
D832,055 S * 10/2018 Rose D7/598
D834,363 S * 11/2018 Dash D7/319

* cited by examiner

Primary Examiner — Marianne N Pandozzi

(74) *Attorney, Agent, or Firm* — McDonnell Boehnen
Hulbert & Berghoff LLP

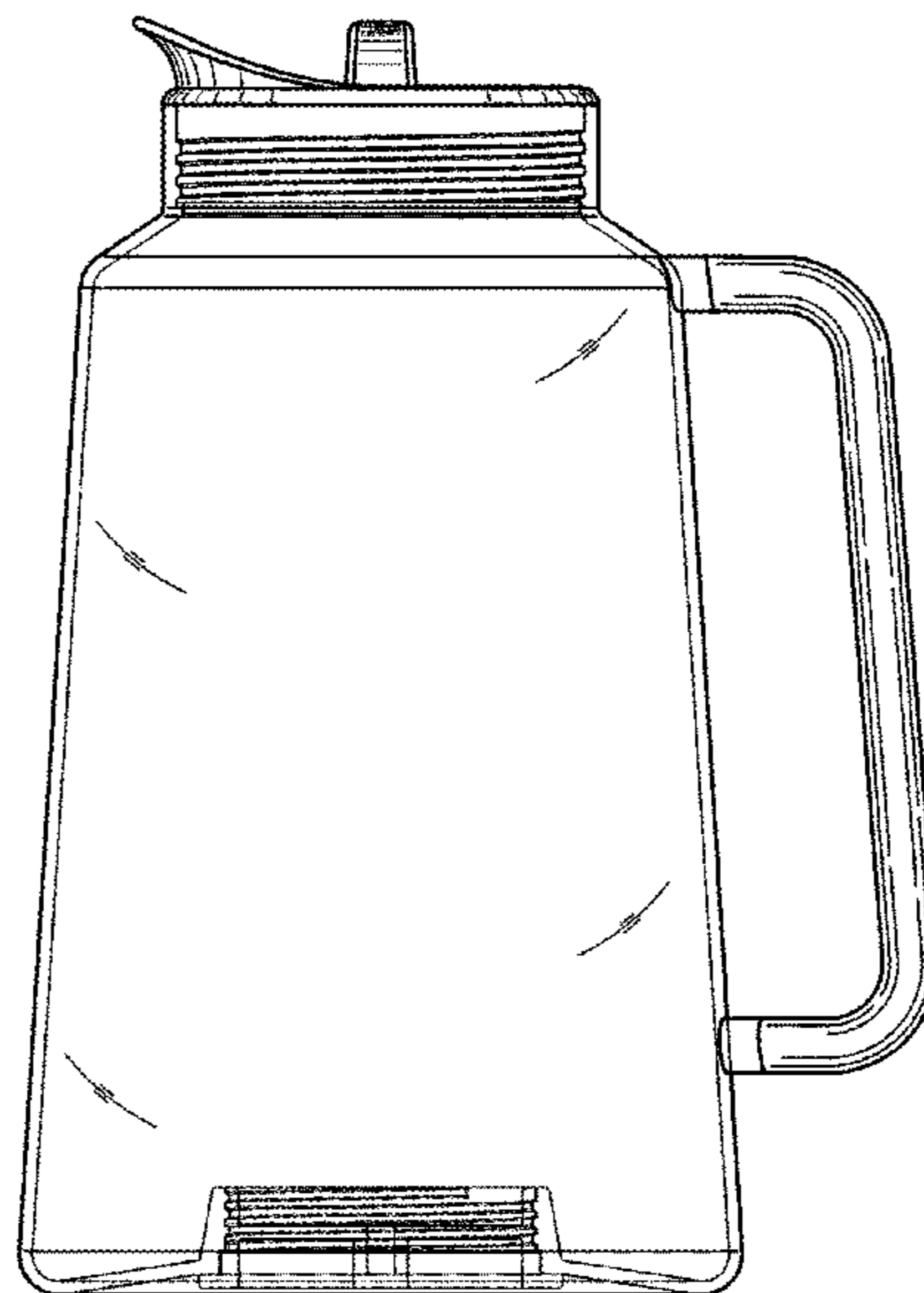
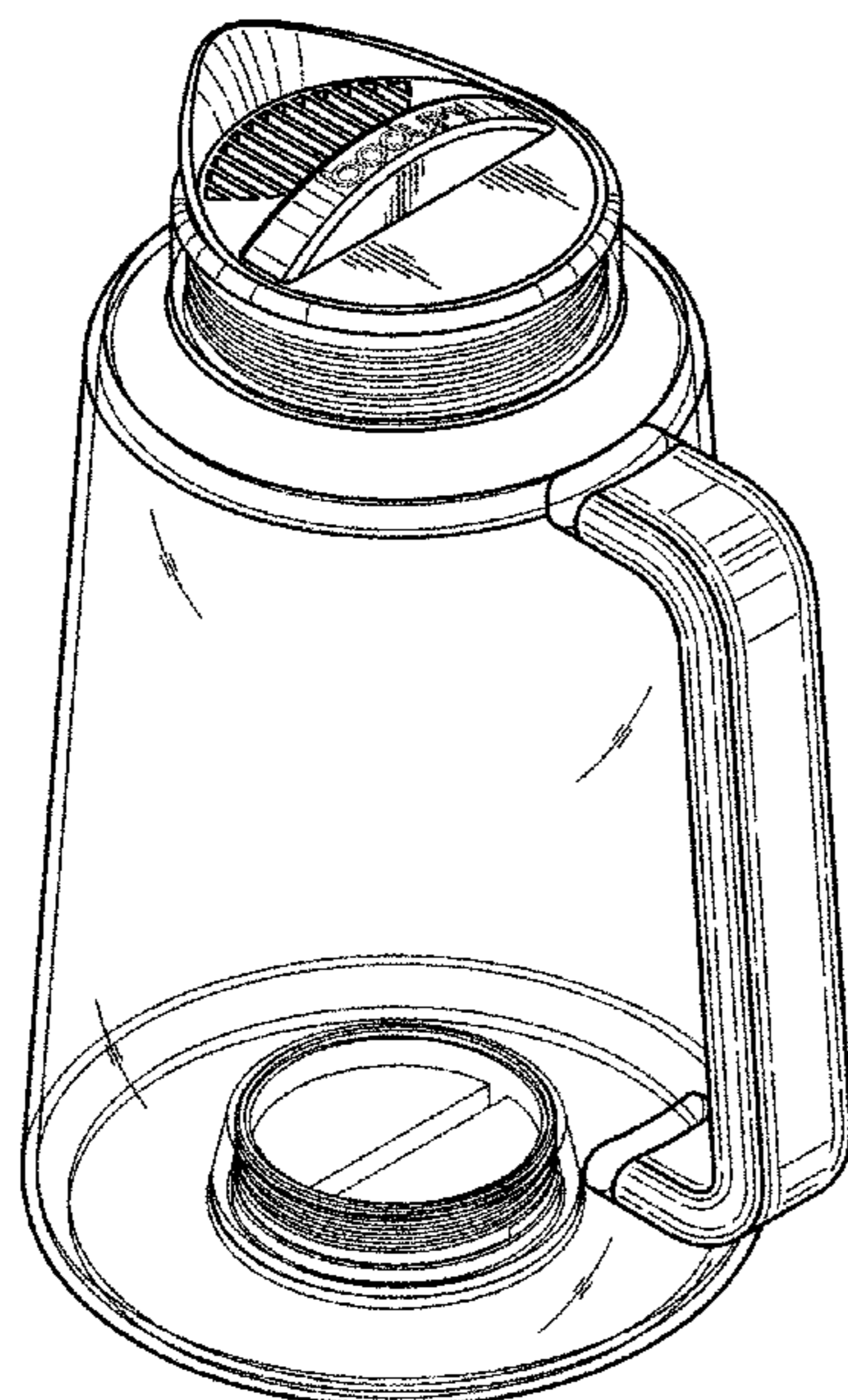
(57) **CLAIM**

The ornamental design for a jug with lid, as shown and described.

DESCRIPTION

FIG. 1 is a perspective view of a jug with lid showing my new design;
FIG. 2 is a right side view thereof;
FIG. 3 is a left side view thereof;
FIG. 4 is a front view thereof;
FIG. 5 is a rear view thereof;
FIG. 6 is a top view thereof; and,
FIG. 7 is a bottom view thereof.
The broken lines illustrate portions of the drawings that form no part of the claimed design.

1 Claim, 7 Drawing Sheets



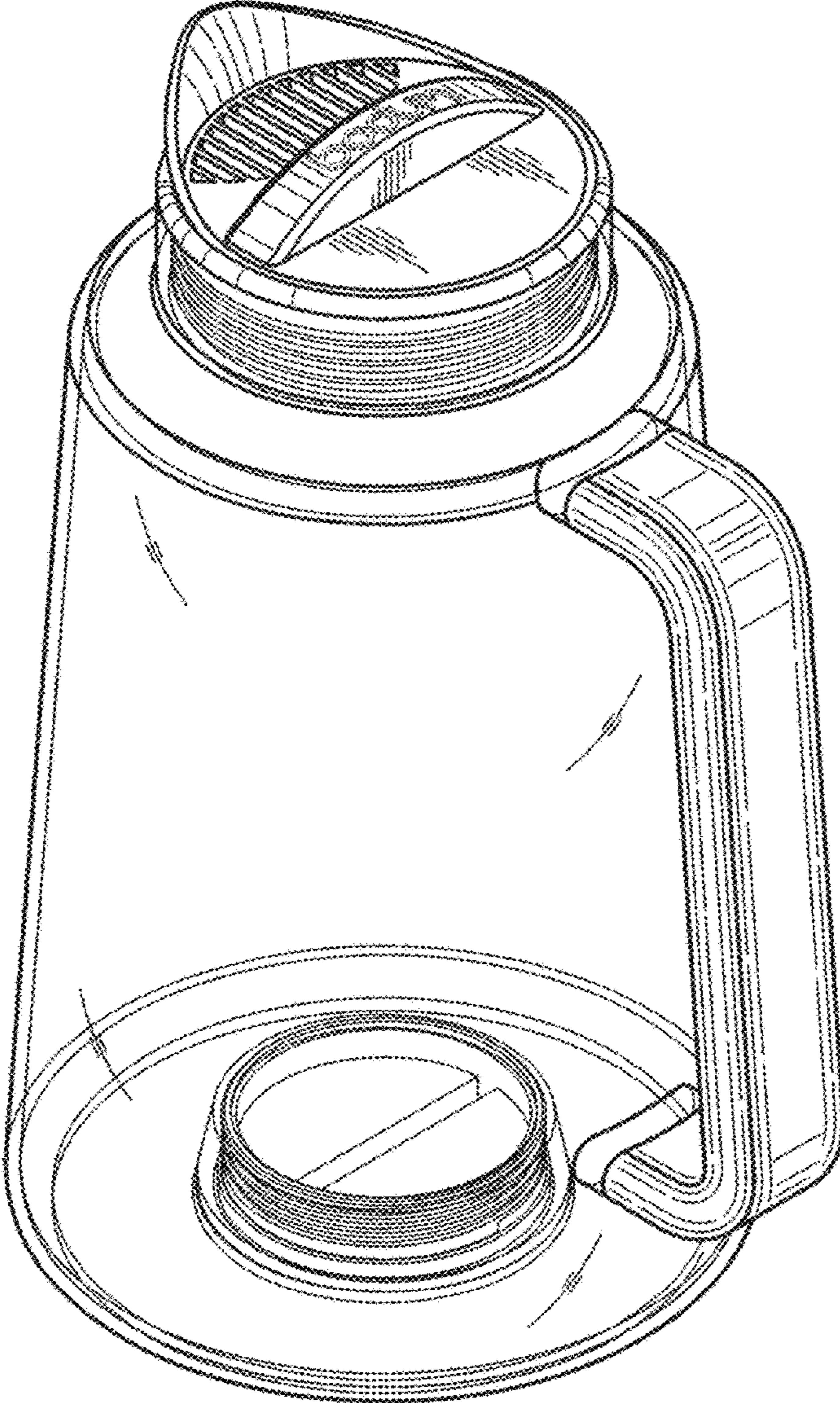


FIG. 1

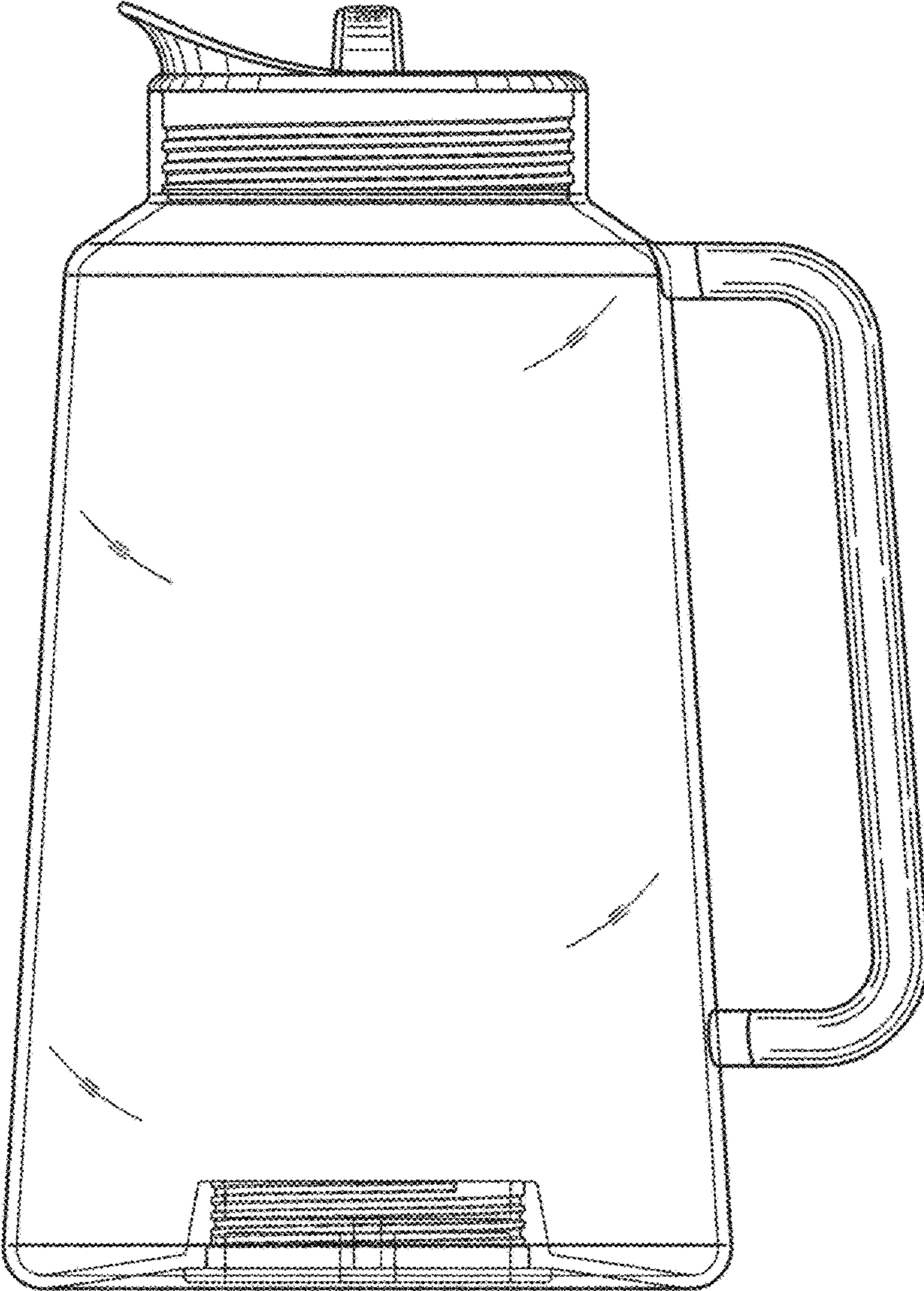


FIG. 2

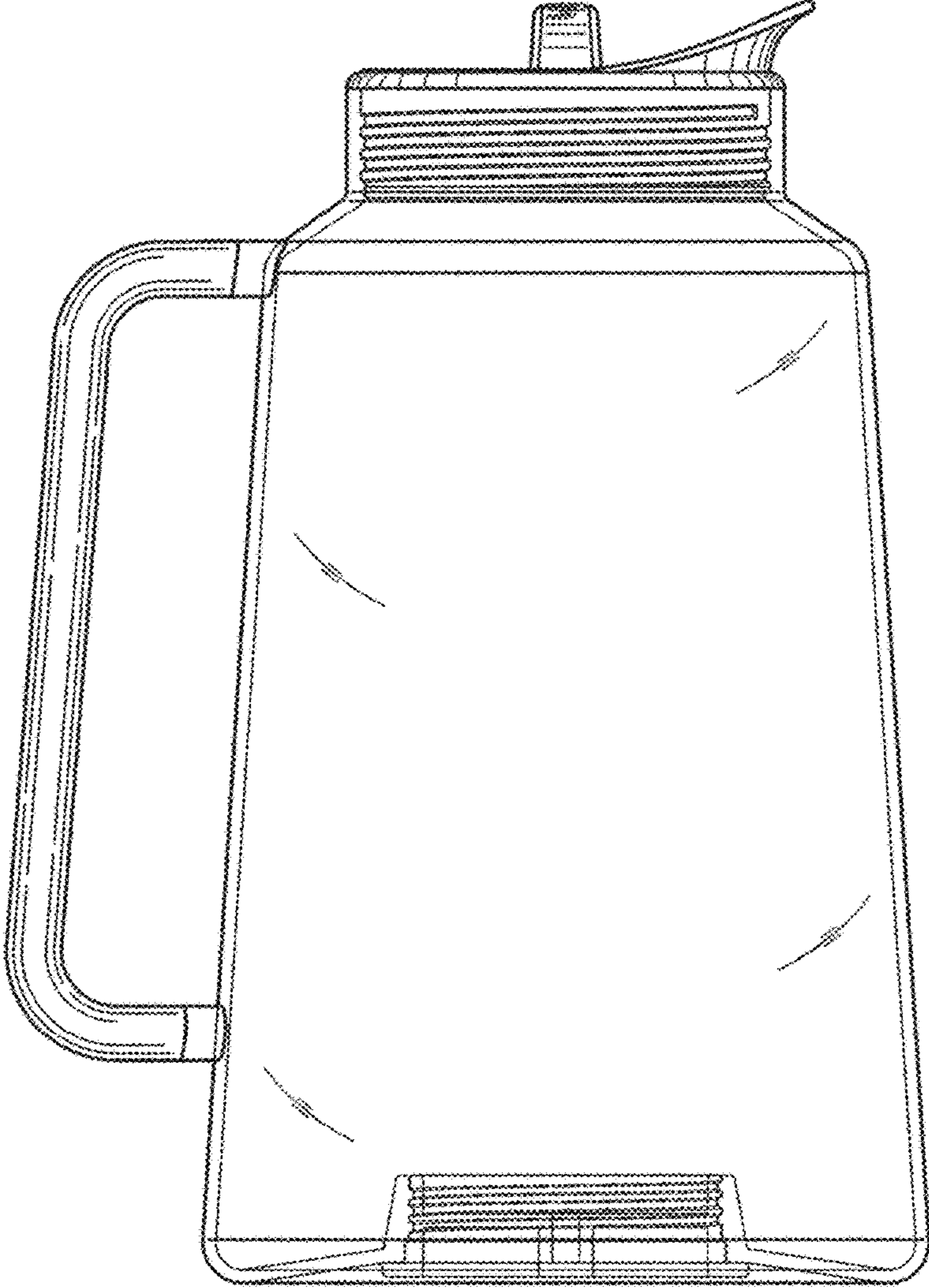


FIG. 3

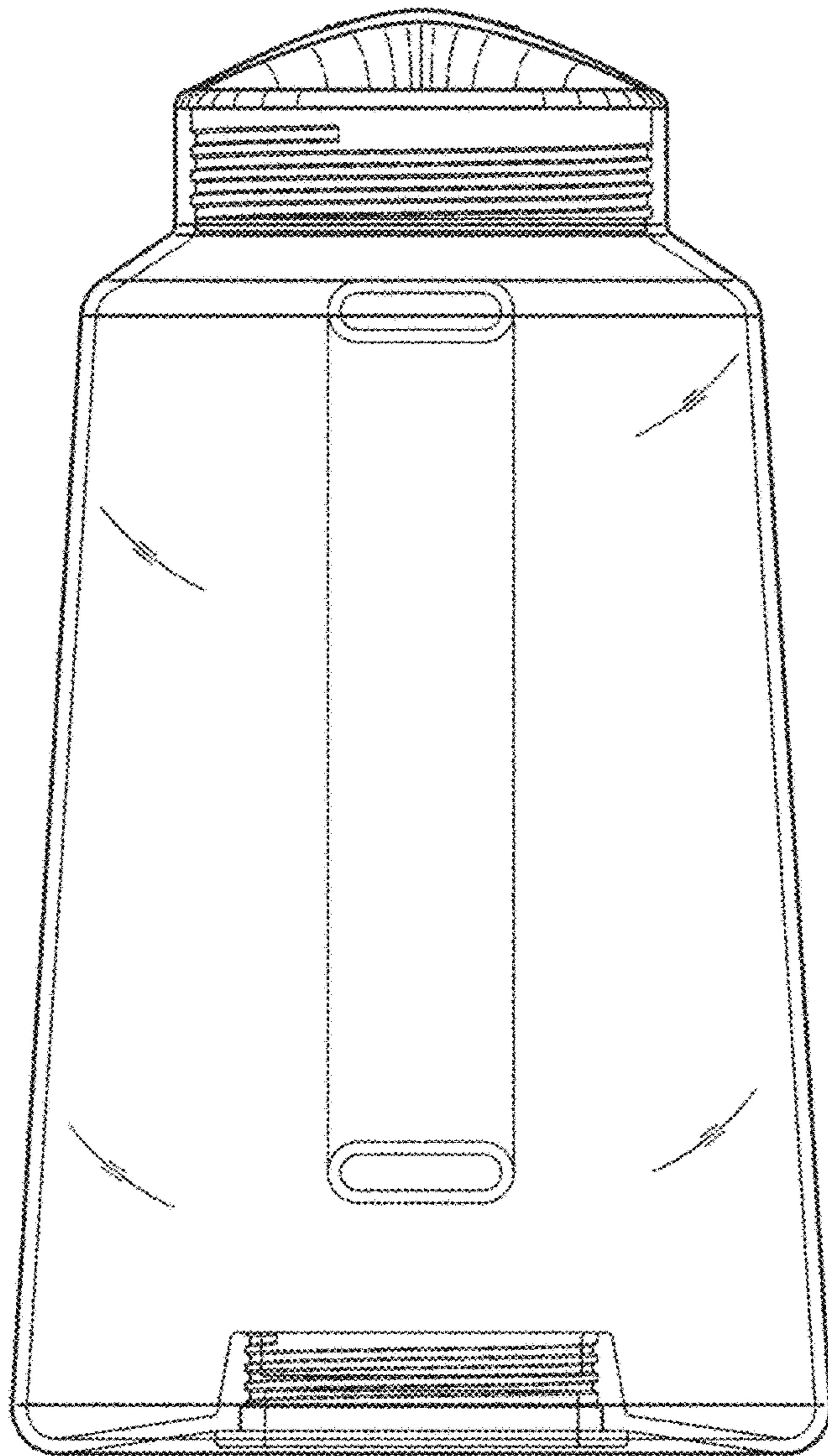


FIG. 4

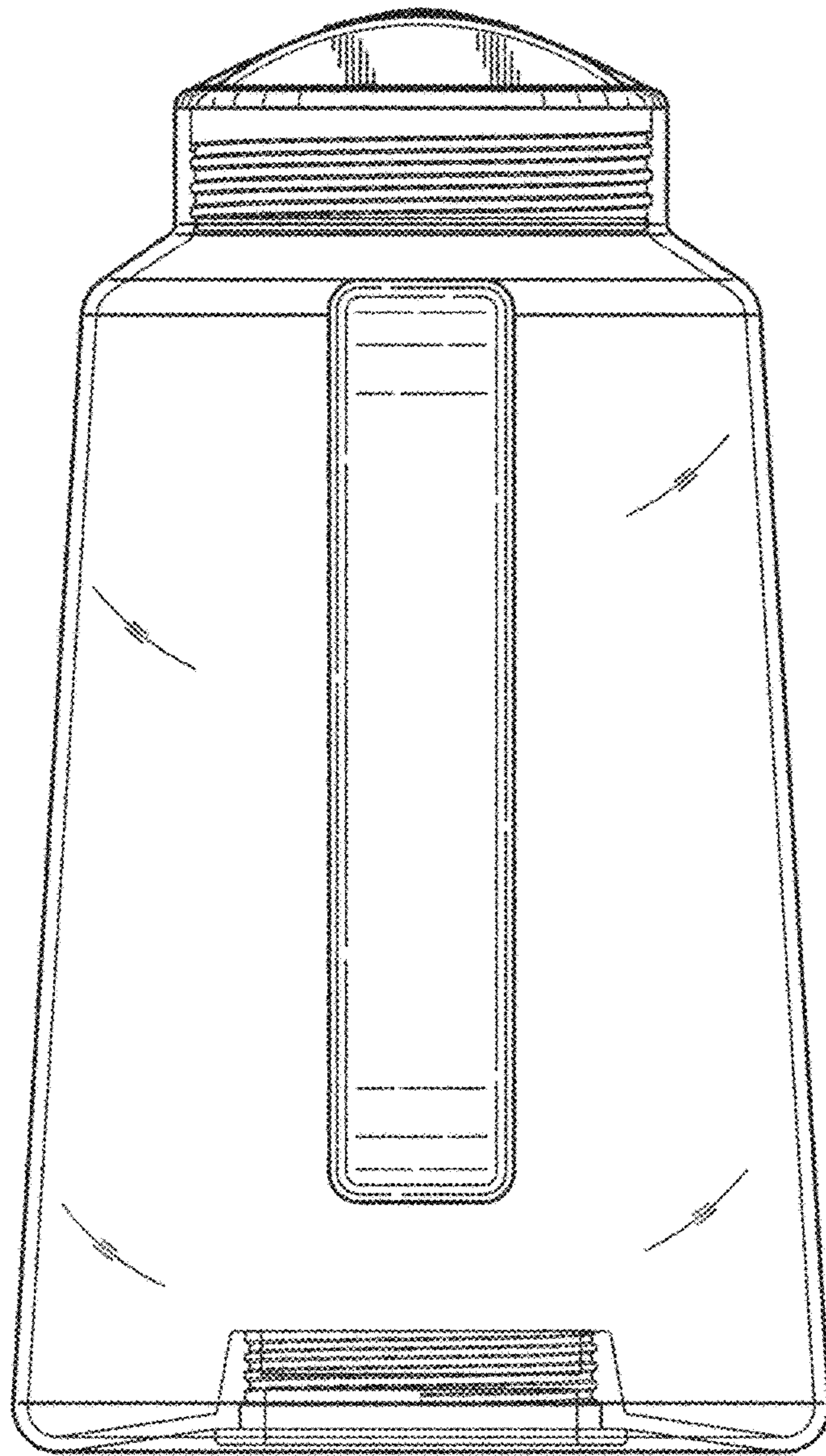


FIG. 5

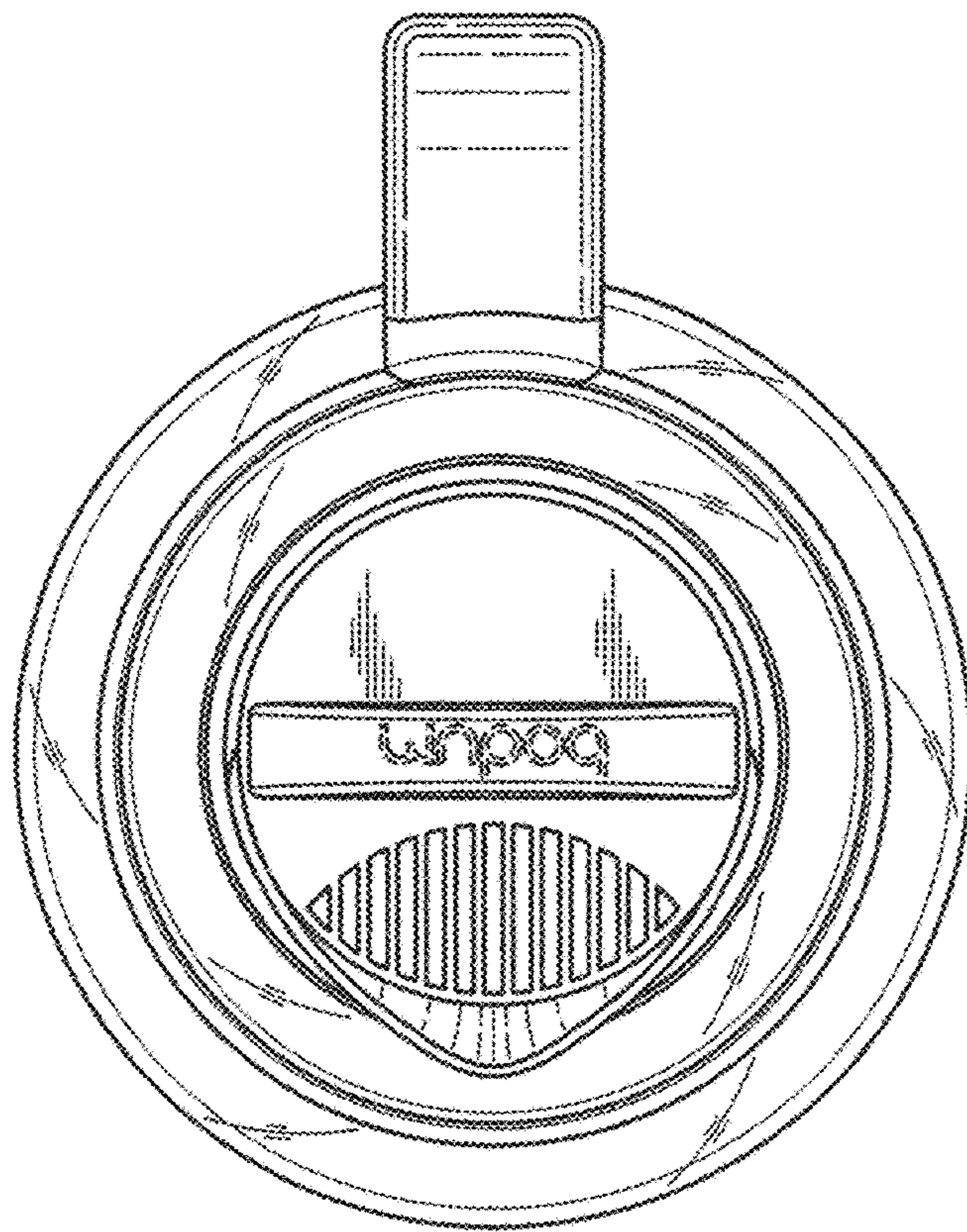


FIG. 6

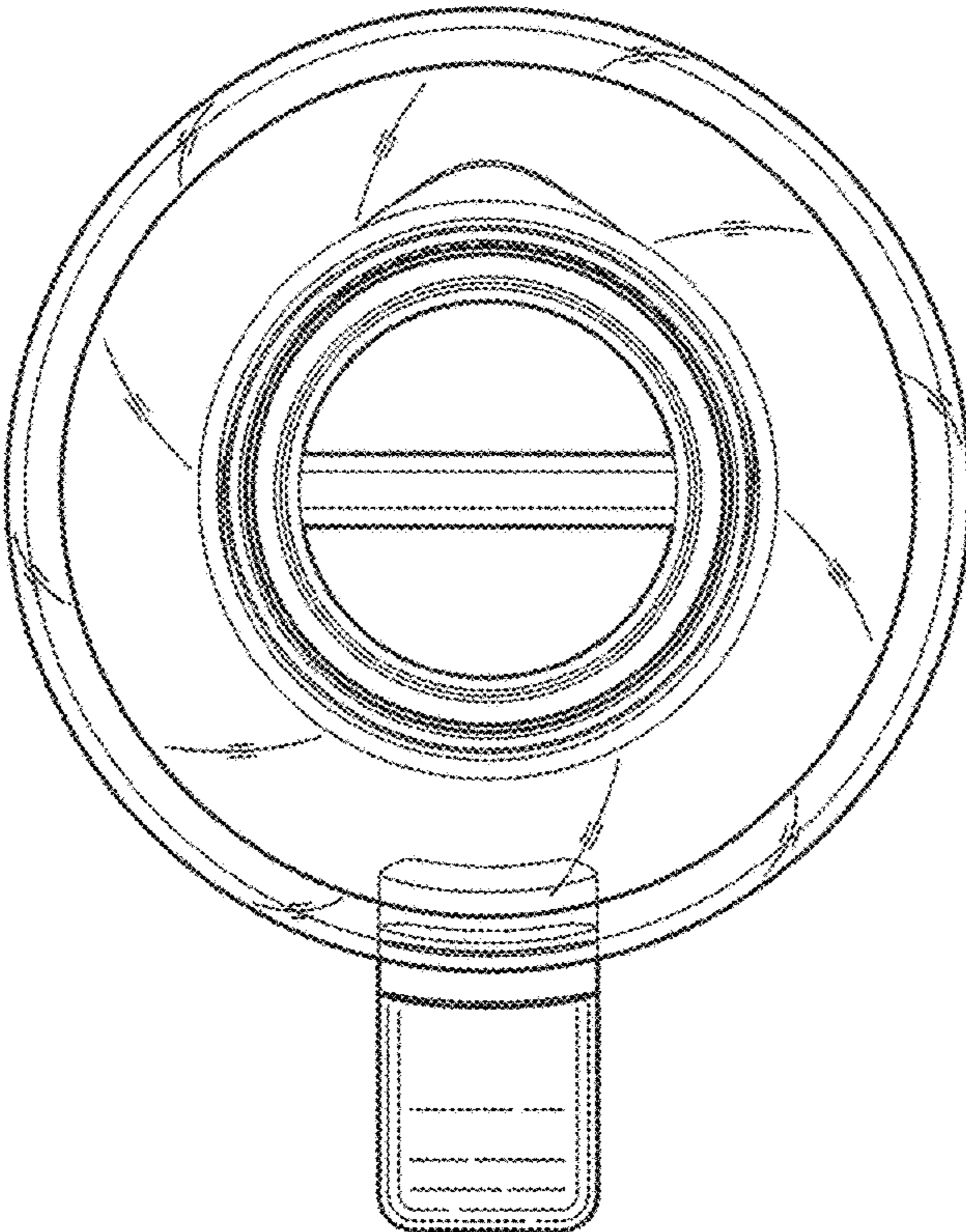


FIG. 7